

Sidewinder



**Western Airguns
Sidewinder
Selective-Fire
Pre-Charged Pneumatic
Air Rifle**

User Guide

**READ THIS GUIDE BEFORE USING YOUR
GUN FOR THE FIRST TIME.
IT CONTAINS USEFUL INFORMATION TO
HELP YOU SHOOT YOUR AIR RIFLE SAFELY
AND CORRECTLY**

**Western Airguns are proudly
Made in the USA!**



Warnings:



WARNING: THIS PRODUCT CAN EXPOSE YOU TO CHEMICALS INCLUDING LEAD, WHICH IS KNOWN TO THE STATE OF CALIFORNIA TO CAUSE CANCER AND BIRTH DEFECTS OR OTHER REPRODUCTIVE HARM. FOR MORE INFORMATION GO TO WWW.P65WARNINGS.CO.GOV.



WARNING: NOT A TOY. THIS AIRGUN IS FOR ADULT USE ONLY. MISUSE OR CARELESS USE MAY CAUSE INJURY OR DEATH. MAY BE DANGEROUS UP TO 1,000 YARDS (915 METERS).



WARNING: THIS IS A HIGH-POWERED, SELECTIVE-FIRE AIRGUN. EACH TIME YOU PULL THE TRIGGER, THE SIDEWINDER FIRES AND AUTOMATICALLY LOADS ANOTHER ROUND READY FOR THE NEXT SHOT. LONGER TRIGGER PULLS WILL FIRE MULTIPLE SHOTS. THIS MEANS THAT YOU NEED TO EXERCISE CONSIDERABLE CARE AND USE THE SAFETIES RIGOROUSLY TO AVOID UNINTENTIONAL DISCHARGES.



WARNING: DO NOT BRANDISH THIS AIRGUN IN PUBLIC. IT MAY CONFUSE PEOPLE AND BE A CRIME. POLICE AND OTHERS MAY THINK IT IS A FIREARM. DO NOT CHANGE THE COLORATION OR MARKINGS TO MAKE IT LOOK MORE LIKE A FIREARM. THAT IS DANGEROUS AND MAY BE A CRIME.



WARNING: EXPLOSION DANGER. USE ONLY DRY COMPRESSED AIR IN THIS AIRGUN. THE USE OF OTHER GASES, INCLUDING OXYGEN OR NITROGEN CAN CAUSE A FIRE OR EXPLOSION AND MAY RESULT IN SERIOUS INJURY OR DEATH. DO NOT OVERFILL BEYOND THE MAXIMUM 250 BAR (3,625 PSI) FILL PRESSURE.



WARNING: EXPLOSION DANGER. DO NOT INTRODUCE PETROLEUM-BASED LUBRICANTS INTO THE HIGH PRESSURE AIR BOTTLE OR ANY PART OF THE ACTION OR AN EXPLOSION MAY RESULT, RESULTING IN SERIOUS INJURY OR DEATH.

Welcome to the Sidewinder!

Thank you for choosing a Western Airguns Sidewinder air rifle. We hope that you will be happy with your new airgun!

The Sidewinder is a powerful selective-fire (semi- and full-automatic) air rifle powered by High Pressure Air (HPA). It will repay care in ownership with many years of trouble-free service.

Being a selective-fire airgun, each time you pull the trigger, the Sidewinder fires **AND** automatically loads another round ready for the next shot. Longer pulls of the trigger will cause multiple shots to be fired. This means that you need to exercise considerable care to avoid unintentional discharges.

The most important piece of advice we can give is for you to read this entire manual very carefully. Here you will find information to help you use the airgun safely. Safety is the top priority for all shooters, as you will undoubtedly agree.

Before using the Sidewinder, the owner and user must understand and obey all applicable laws. Check local, state and federal laws in your area.

If you intend to hunt with the Sidewinder in the USA, the Airgun Sporting Association website provides a state-by-state guide to hunting laws and links to specific State Agencies for further investigation. <https://airgunsporting.org/laws/>

The Sidewinder requires a correctly-mounted riflescope for accurate shooting. It also requires appropriate HPA supply equipment (tanks, compressors, etc.) to function. Check with your dealer for advice on suitable accessories and ammunition to use with this air rifle.

Any damage or injury resulting from mis-use or incorrect handling is the sole responsibility of the owner and/or shooter.



Performance Specifications:

The Sidewinder is designed to achieve the following performance levels. Note that multiple factors may affect this performance including pellet weight, elevation above Sea Level, temperature and humidity.

.22 Caliber

	Regulator Pressure	Shots Per Fill	Muzzle Energy
Minimum	120 Bar 1740 PSI	Up To 300	Up To 15 Ft-lbs
As Shipped	125 Bar 1815 PSI	Up To 130	Up To 47 Ft-lbs
Maximum w/ 33.9gr Pellets	190 Bar 2755 PSI	Up To 30	Up To 72 Ft-lbs

.25 Caliber

	Regulator Pressure	Shots Per Fill	Muzzle Energy
Minimum	130 Bar 1885 PSI	Up To 265	Up To 25 Ft-lbs
As Shipped	130 Bar 1885 PSI	Up To 90	Up To 60 Ft-lbs
Maximum w/ 41gr Slugs	180 Bar 2610 PSI	Up To 30	Up To 88 Ft-lbs

.30 Caliber

	Regulator Pressure	Shots Per Fill	Muzzle Energy
Minimum	120 Bar 1740 PSI	Up To 200	Up To 40 Ft-lbs
As Shipped	140 Bar 2030 PSI	Up To 80	Up To 80 Ft-lbs
Maximum w/ 80gr Slugs	180 Bar 2610 PSI	Up To 30	Up To 125 Ft-lbs

Please read and digest the instructions in this User Guide. If anything is not clear, or you do not understand, **DO NOT TAKE A CHANCE.** Instead contact the dealer you purchased the gun from. They are authorized to handle any service issues and will be happy to help you.

Shoot Safe By Following These Rules:

1. PERSONAL SAFETY:

ALWAYS treat the Sidewinder as if it is loaded and ready to fire.

NEVER point the airgun at any person, even if you know it is unloaded.

ALWAYS keep the muzzle pointed in a safe direction, including when carrying the rifle.

ALWAYS handle the Sidewinder with the same respect as you would a cartridge firearm.

ALWAYS wear shooting glasses and wear ear defenders. Ensure others around you do the same.

NEVER put any part of your body over the muzzle.

ALWAYS keep your finger off of the trigger until it is safe and you are ready to shoot.

ALWAYS have the safety set to “safe” with both safeties on when carrying the gun, handing it to others or preparing to fire.

NEVER load ammo into the gun until it is safe and you are ready to fire.

NEVER set the safety to “fire” until the moment you intend to shoot.

BUT NEVER trust the safety 100%. It is a mechanical device and could fail. Safe gun handling is the real best safety!

ALWAYS remember that the Sidewinder is a selective-fire airgun. Each time you pull the trigger, the Sidewinder fires **AND** automatically loads another round ready for the next shot. Longer pulls of the trigger will cause multiple shots to be fired.

NEVER leave the Sidewinder loaded and unattended.

NEVER hand the gun to another person unless it is unloaded and the safeties are set to “safe”.

2. STORAGE AND TRANSPORT SAFETY:

ALWAYS store the Sidewinder unloaded and with the safeties set to “safe”. Do not store ammo with the gun.

NEVER store the Sidewinder where it could be accessed by children.

ALWAYS transport the Sidewinder in a secure, opaque, protective gun case.

NEVER open the gun case until at the firing point, ensuring the muzzle points safely down range.

ALWAYS ensure the Sidewinder is uncocked, unloaded and on “safe” when carrying it in a vehicle, building or any public place.

NEVER walk, run or jump when carrying a loaded airgun.

NEVER climb a tree, fence or jump a ditch when carrying any loaded gun.

3. DOWNRANGE SAFETY:

NEVER point the airgun at anything you do not intend to shoot.

ALWAYS consider what’s behind the target you are shooting at. You may miss, or the Sidewinder may shoot clean through the target!

ALWAYS have a strong, safe backstop behind the target so that no person can be injured or property damaged when shooting.

NEVER shoot at targets on water or at hard surfaces that can cause ricochets.

ALWAYS ensure that no ammo remains in the Sidewinder at the end of a shooting session. “Dry fire” it in a safe direction to be certain.

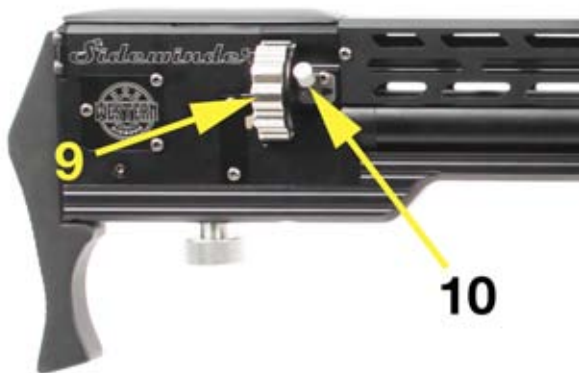
ALWAYS engage brain before pulling the trigger!

Improper handling use or handling of the Sidewinder is not the responsibility of Western Airguns or the dealer selling the gun. The owner and/or shooter is responsible for any harm or damage, however it may be caused.

Knowing the Sidewinder:

1. Trigger
2. Primary Safety/ Fire Selector
3. Trigger Safety
4. HPA Bottle Pressure Gauge
5. Regulated Air Pressure Gauge
6. Regulator Adjuster
7. HPA Fill Male Connector
8. HPA Bottle
9. Magazine
10. Magazine Release Lever
11. Power Adjuster
12. Shrouded Barrel
13. Scope Mounting Rail
14. Riflescope (Not Included)
15. Bipod Mounting Rail
16. Pistol Grip
17. Buttpad
18. HPA Bottle Clamp

RIGHT SIDE - Below LEFT SIDE - Opposite



Things To Know Before Filling The Sidewinder With High Pressure Air:

The Western Airguns Sidewinder is designed and intended to be filled with clean, dry High Pressure Air or Nitrogen only. No other gas or gas combination can be used.

NEVER OVERFILL BEYOND 4,350 PSI/300 BAR
The Sidewinder's maximum fill pressure is 300 bar (4,350 PSI).

The minimum fill pressure is 140 bar (2,030 PSI): if the HPA bottle's pressure falls to this point, the Sidewinder must be re-charged with additional High Pressure Air.

Filling to a higher pressure than 300 bar (4,350 PSI) will **NOT** increase the power - in fact power may actually be reduced or the gun not fire due to valve lock. It can also damage the air rifle.

Charging the Sidewinder requires an appropriate HPA tank or compressor. Check with your dealer for advice on suitable equipment. Ensure that you know how to operate all the charging equipment properly before filling the gun.

Do not over-fill or under-fill the gun.

Filling Steps:

1. **ALWAYS** wear safety glasses when filling with High Pressure Air.
2. **ENSURE** that the Sidewinder is completely unloaded and pointed in a safe direction.
3. Attach the female quick disconnect of the tank or compressor hose securely to the male connector on the gun (1).



4. Ensure the tank or compressor bleed valve is closed. Then charge the gun, monitoring the gauge on the tank or compressor for pressure. Confirm with the Sidewinder's fill gauge (2).
5. Fill the Sidewinder slowly to minimize heat buildup and to avoid over-filling.
6. After the maximum fill pressure is reached (4,350 PSI/300 bar), close the tank or compressor valve. Then use the bleed valve to completely remove air pressure from the hose. If you do not do this the hose may whip dangerously when disconnected, causing injury.
7. Disconnect the fill hose. The Sidewinder is now ready to load with ammo and fire.

Note that when filling the Sidewinder **for the first time**, a large HPA tank must be used. You will hear "clicking sounds" when this is accomplished.

A small HPA compressor cannot be used for the first fill as it does not supply pressure rapidly enough. A small HPA compressor can be used for subsequent fills, however.

Understanding And Operating The Safeties:

For maximum security, the Sidewinder has two safeties. One is on the left side of the gun, the other on the right.

For the gun to fire, both safeties have to be “off”.

The Primary Safety is at the rear on the side of the receiver, as pictured below. Rotate to operate.



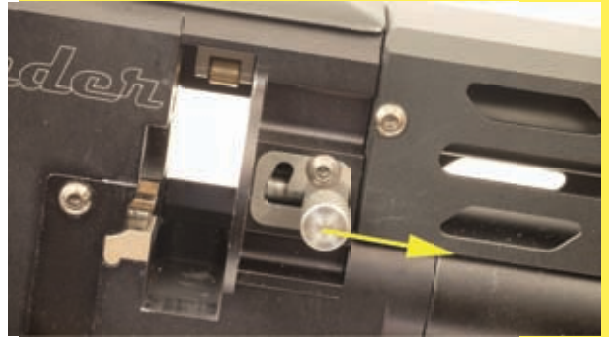
The Secondary Safety is located above the trigger. Rotate to operate.



Proving “Safe”:

WARNING: The Sidewinder has a semi-automatic action. There is no charging handle or bolt.

To prove that the Sidewinder is safe, with no pellets or slugs remaining in the barrel, the magazine should be removed by pushing forward on the Magazine Release Lever.



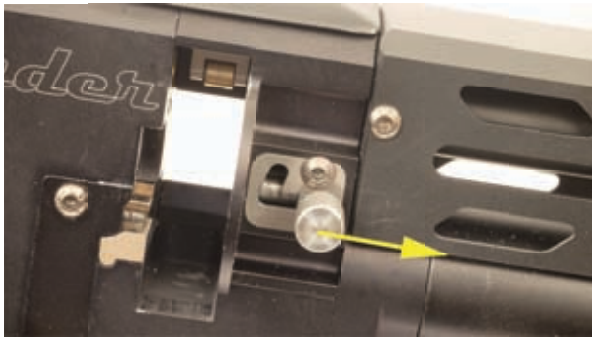
The gun can then be fired repeatedly in a safe direction until proven empty and clear.

Note that the gun makes a different sound when fired on an empty chamber.

Loading The Magazine:

The Sidewinder uses a removable magazine that cannot be removed from the airgun. The magazine capacity depends on the caliber.

1. **ALWAYS** ensure that the Sidewinder is pointed downrange in a safe direction.
2. Set Both Primary and Secondary Safeties to "Safe".
3. Push the Magazine Release lever forward.



4. Remove the cover plate from the magazine and push pellets or slugs into the chambers as shown below.

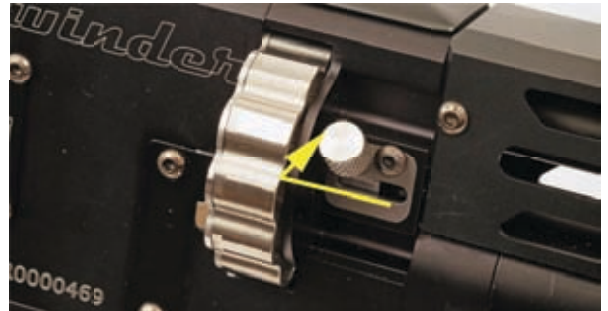
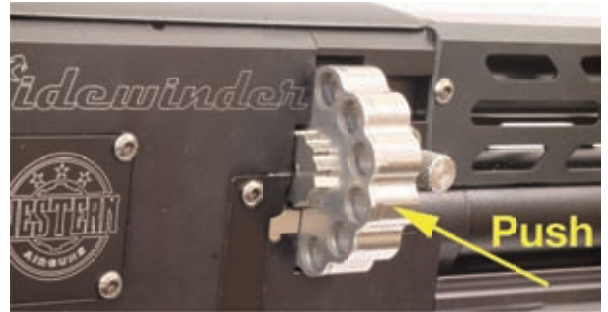
Replace the cover plate on the rear of the magazine. It is held in place magnetically.



5. With the magazine Release Lever still forward, push the magazine into the magazine well from the right.

As the magazine clicks into place, **slightly rotate the magazine counter-clockwise** (as seen from the rear).

Now the Magazine Release Lever can be pushed back and up.



The Sidewinder is now loaded and will fire when the Safeties are "Off" and the trigger pulled.

Note that the Sidewinder does NOT have a charging lever that requires operating before the gun will fire. In this respect, the airgun is very different from a semi-automatic firearm.

Trigger:

The two-stage trigger is set at the factory for best performance and is **not adjustable**. This is to ensure correct functioning with the semi-automatic action.

Note that the trigger blade is held in a fixed position by its setscrew. The trigger blade position is not adjustable.

Note that it is necessary to completely remove pressure from the Sidewinder's trigger between shots. If you do not do this, the gun may not fire again until you do so.

Installing And Removing The High Pressure Air Bottle:

The Sidewinder is supplied with a detachable High Pressure Air (HPA) bottle. This air provides both propulsion for the airgun pellets or slugs and operates the semi-/fully-automatic action.

This makes it possible to carry spare, filled HPA bottles and replace them in the field if required.

The bottle must be attached to the gun and filled with air before pulling the trigger.



First, loosen the clamp screw at the top of the bottle support. (See page 10). Then screw the HPA bottle clockwise onto the gun until tight for use.

Note that the threads are very fine. Be cautious, **NEVER** force the threads during installation or removal of the bottle.

The Sidewinder's HPA bottle is fitted with an internal check valve. This means that the bottle can be removed from the gun even when filled with High Pressure Air.

To remove the air bottle from the gun, carefully rotate it **COUNTER-CLOCKWISE**. After a turn or two, a brief burst of air will be released. This is normal. Continue to unscrew the bottle until removed from the gun.

It is possible to increase the air capacity of the Sidewinder by attaching a larger HPA bottle, or - with a special adapter - TWO bottles. This will give more shots per fill of air. However the power remains the same. Your dealer can advise you on the appropriate upgrade parts.

Power Adjustment:

Note that a suitable Chronograph is required to understand changes made to the Power Adjuster knob.

If you do not have access to a Chronograph, it is suggested that you DO NOT change the factory power setting.

A Power Adjuster knob is provided on the underside of the Sidewinder.



To increase the power, rotate the knob **COUNTER CLOCKWISE as viewed from the underside**.

To decrease the power, rotate the knob **CLOCKWISE as viewed from the underside**.

Increasing the power will reduce the shot count per fill as more High Pressure Air is used for each shot. Conversely, reducing the power will increase the shot count.

Changes to the Power Adjuster will cause the Point of Impact (POI) on the target to rise or fall. It is advisable to re-sight in the scope after making any power changes.

Removing And Reinstalling The Barrel

The Sidewinder is equipped with a removable barrel that threads securely into the receiver.

Reasons for removing and replacing the barrel include cleaning, clearing a serious jam and changing to a different twist rate barrel for enhanced accuracy with your choice of ammo.

1. **PROVE THAT THE GUN IS SAFE!** See page 7 of this Guide.

2. Remove the HPA bottle. See page 9 of this Guide.

3. Next loosen the two barrel clamping screws using a 4 mm hex wrench.



4. Grasp the barrel shroud and rotate counter-clockwise. Keep rotating until the barrel assembly is unscrewed from the receiver.

5. Pull the barrel assembly out to remove it from the action.

6. To replace the barrel, first unscrew the shroud from the barrel assembly. Then screw the barrel back into the receiver.



7. Screw the barrel clockwise into the receiver until it comes to a stop (do not over-tighten).

8. Then back-off the barrel 1/8 turn counter-clockwise.

9. Re-tighten the two barrel clamping screws.

8) Now insert an empty magazine into the action. **DO NOT LOAD WITH AMMO!**

10. If the magazine does not rotate, loosen the barrel clamping screws and rotate the barrel very slightly counter-clockwise. Repeat steps 8 and 9 until the magazine rotates freely.*

11. Fully tighten the two barrel clamping screws.

12. Screw the shroud clockwise back onto the barrel until snug.

14. Now re-install the HPA bottle. See page 9.

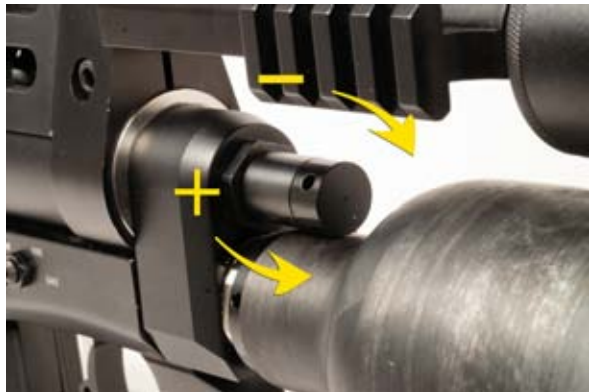


Fill with HPA, load and carefully test-fire the re-assembled Sidewinder.

*If you feel a burst of air blowing against your face when the Sidewinder fires, it is probably because the barrel has been backed-off slightly too far. Loosen the barrel clamping screws, rotate the barrel A VERY SMALL AMOUNT clockwise, re-tighten the screws and test again.

Regulator:

Power changes can also be made by changing the regulator set pressure. Rotating the regulator adjuster **COUNTER CLOCKWISE** (rifle facing downrange) will increase the power. Power is reduced by rotating it **CLOCKWISE**.



However, Western Airguns strongly recommends that you **DO NOT ADJUST THE REGULATOR**.

The regulator is set for optimum performance during assembly. Making adjustments can cause the action to malfunction and not fire.

NEVER adjust the regulator below 140 bar or above 190 bar as damage to the system may occur and will void your warranty.

NOTE: Increasing the regulator set pressure should be undertaken when the gun's HPA bottle is under pressure at 300 bar. Fire a couple of shots to encourage the regulator to settle to the new pressure

However, if you want to REDUCE the regulator pressure, THE BOTTLE MUST BE REMOVED AND THE GUN COMPLETELY DE-PRESSURIZED before making any adjustments.



WARNING: INCORRECT ADJUSTMENT OF REGULATOR SET PRESSURE CAN INVALIDATE THE WARRANTY.

Maintenance Tips:

ALWAYS keep at least 140 bar (2,030 PSI) HPA pressure in the Sidewinder when it is stored between use. This will help to prevent air leaks.

NEVER use petroleum-based lubricants with the Sidewinder. These can lead to an explosion risk due to the High Pressure Air in the gun. They can also rot the rubber O rings that maintain pressure. Instead, use a high quality, pure silicone oil or grease.

If you drop your Sidewinder, make a careful visual inspection to check for damage before using it again.

Ensure that the ammo you plan to use in the Ratter is of the correct caliber and is not too long to fit in the magazine. Otherwise a jam may occur that will not be covered by the warranty.

Troubleshooting:

Do not use the Sidewinder until you have read and completely understood this User Guide.

In the unlikely event that your airgun malfunctions, exhibits poor performance or defects, **DO NOT** attempt to fix the problem yourself. Contact the dealer you purchased the gun from.

The Western Airguns Sidewinder is operated by High Pressure Air. It must only be repaired or dismantled by a competent, trained airgunsmith and with the correct parts.

DO NOT attempt to dismantle or repair any part of the Sidewinder yourself. If you do, serious injury - even death - and property damage may result if these instructions are ignored.

Always assume that the airgun is pressurized with air and loaded with ammo until you prove that it is not!

To fully de-pressurize the Sidewinder, first unscrew and remove the HPA bottle. Then pull the trigger repeatedly until all High Pressure Air is removed from the action.

If The Gun Will Not Fire:

1. **NEVER LOOK DOWN THE BARREL!**
2. Be sure that the HPA bottle is filled to 140 bar (2,030 PSI) or more, with clean, dry High Pressure Air. No other gas or gas combination can be used.
3. If the gun is filled with HPA to a greater pressure than 300 bar (4,350 PSI), remove the HPA bottle as described on page 9, point the gun in a safe direction and pull the trigger repeatedly to depressurize the action.
4. Ensure that no ammo is stuck in the barrel. Set the Sidewinder to safe, remove all ammo from the magazine and run a cleaning rod through the barrel from the muzzle. If necessary, remove the barrel. See page 10 of this guide for details.
5. Be certain that either of the safeties are not set to safe when you are expecting to fire.
6. Be sure to completely remove your finger from the trigger after each shot! If you do not do this, the Sidewinder may not fire.
7. Confirm that there is ammo in all of the magazine chambers and that it is of the correct caliber.



Sidewinder

Western Airguns LLC,
Sheridan, WY, 82801 USA.

Warranty:

The Western Airguns Sidewinder carries a 12-month limited warranty against faulty workmanship and defective materials.

This warranty is provided to the original retail customer for 12 months from the date of purchase. Proof of purchase is required.

This warranty does not cover any damage caused by tampering with the rifle, modification, abuse, improper use or attempted repairs by users or unauthorized repair providers.

Nor does it cover damage to scopes or other gun sights, slings, bipods and other accessories. Wear and tear from regular use and failure to perform normal maintenance is also not covered.

You are responsible for costs incurred in returning the Sidewinder to Western Airguns. It's suggested that you purchase insurance to cover shipping and pack it well. Western Airguns will not be responsible for any loss or damage to your airgun in transit.

In the event of a defect under this warranty, Western Airguns will repair the Sidewinder, or replace it with a product of comparable value and performance. If Western Airguns determines that a repair is not covered by this warranty, there could be a charge to you.

Western Airguns will cover the costs involved in returning the gun to you unless the defect was caused by incorrect operation.

Note that this limited warranty does not include consequential or incidental damages. This includes damage to property or any other expense. It does not include implied warranties of merchantability or fitness for purpose.

Some US states do not allow the exclusion or limitation of incidental or consequential damages, so these limitations may not apply to you.

For warranty claims or service issues, contact your authorized Western Airguns dealer.