



AEA ZEUS AIR RIFLE USER'S MANUAL

WWW.AEAAIRGUN.COM

AEA ZEUS AIR RIFLE USER'S MANUAL

READ ALL INSTRUCTIONS AND WARNINGS BEFORE USING THESE AIRGUNS

ZEUS 16 INCH BARREL AIR RIFLE



ZEUS 24 INCH BARREL AIR RIFLE



ZEUS 32 INCH BARREL AIR RIFLE



FAILURE TO OBSERVE THE WARNINGS & CAUTIONS CAN RESULTING DAMAGE TO YOUR AIR RIFLE, ACCIDENTAL DEATH OR SERIOUS INJURY. THE SAFE USE AND STORAGE IS THE OWNER /USER'S RESPONSIBILITY.

WARNING

READ ALL INSTRUCTIONS AND WARNINGS BEFORE USING AEA PRODUCTS

This air rifle is not a toy and carelessness use may result in serious injury or accidental death.

This airgun is recommended for adult use or under adult supervision.

Never attempt to disassemble this rifle without manufacturer authority.

Never fire the rifle when it is out of air or when air cylinder is removed!

Use lead pellets only, The use of any projectile other than a lead pellet is unauthorized and will void the manufacturers warranty.

AEA Airguns are designed for Use with dry-filtered, compressed air to fill the air cylinder.

NEVER use other gases such as oxygen, acetylene, hydrogen, etc.

Never fill this air rifle air cylinder above 310 BAR /4500 PSI (working pressure) unless stated for the specific model.

The resulting damage caused by overcharging the air cylinder is not covered by the manufacturers warranty.

Always wear eye and ear protection when using an airgun.

Always point the air rifle in a safe direction and be aware of the backstop.

Never point an air rifle at anything you do not intend to shoot.

Always make sure that each pellet you use is in the proper caliber for the air gun and never re-use pellets.

Never leave the air gun loaded if it is not going to be used.

Keep your fingers away from the trigger and do not load the rifle until you are ready to fire.

Anytime you transport an airgun, make sure the safety is on and the gun is unloaded.

Store the airgun (unloaded) and ammunition in separate, safe places, out of reach of children.

Users should follow all local laws regarding air gun ownership and use..

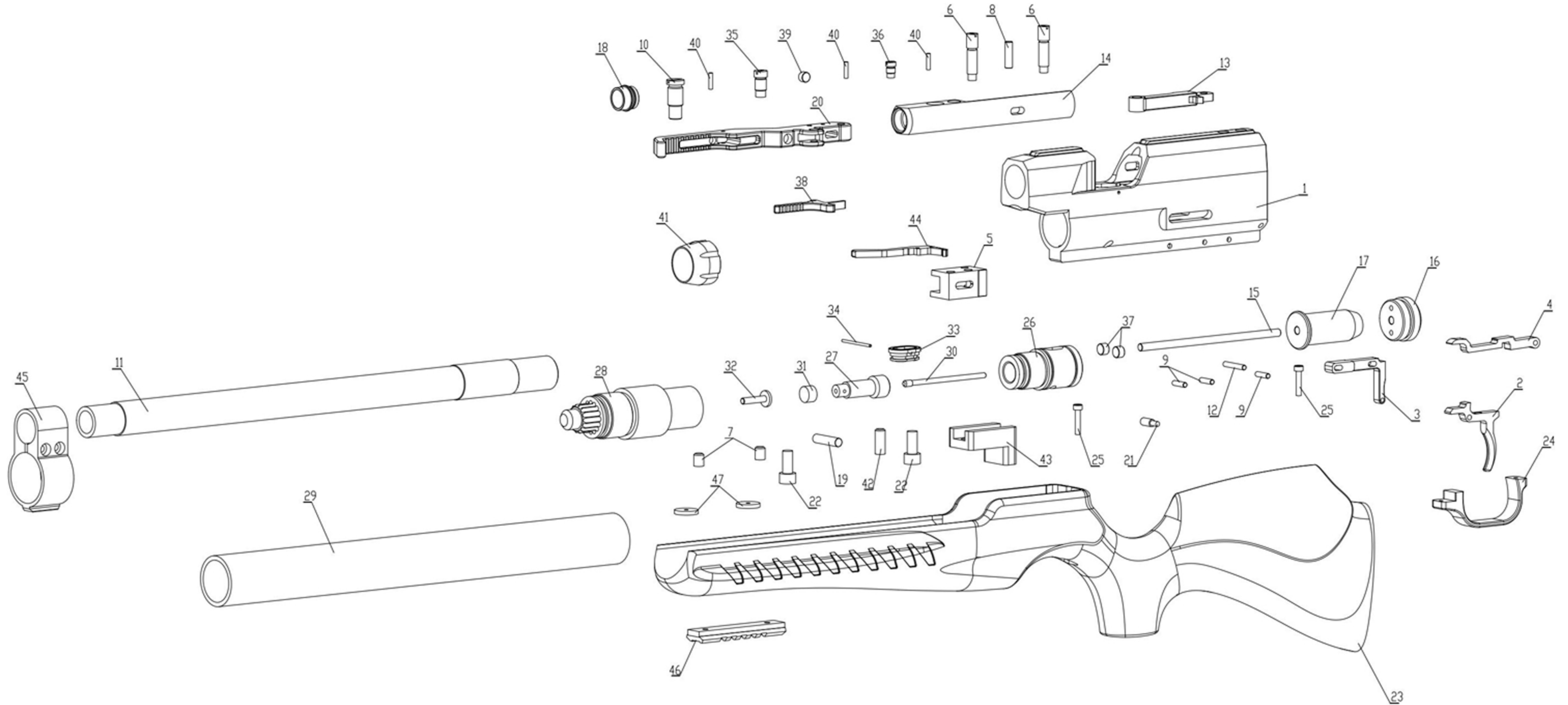
We recommended that you have the air cylinder visually inspected every 3 years.

FAILURE TO OBSERVE THE ABOVE WARNINGS CAN RESULTING DAMAGE TO YOUR AIR RIFLE, ACCIDENTAL DEATH OR SERIOUS INJURY. PRACTINCE GUN

SAFETY AND RESPONSIBILITY

DRAWING AND SPECIFICATION

AEA ZEUS AIR RIFLE DRAWING



REVISED: JUNE 2022

SPECIFICATION

ZEUS .58 CAL AIR RIFLE



Caliber	.58 Cal
Weight	32" Barrel 11.6 LBS
Cocking system	Side Lever
Air Capacity:	660CC
Max Air Filling Pressure	4500 psi
Velocity and Muzzle Energy	820Gr 900 FPS 1500 FPE
	500Gr 1050 FPS 1250 FPE
Barrel Length:	32" Barrel
Overall Length:	50 inches

ZEUS .72 CAL AIR RIFLE



Caliber	.72 Cal
Weight	32" Barrel 11.6 LBS
	24" Barrel 10.3 LBS
	16" Barrel 9.4 LBS
Cocking system	Side Lever
Air Capacity:	660CC (32"barrel)
	400CC (24"barrel)
	300CC (16" barrel)
Max Air Filling Pressure	4500 psi
Velocity and Muzzle Energy	32" Barrel 820Gr 900 FPS 1500 FPE
	32" Barrel 500Gr 1050 FPS 1250 FPE
	16" Barrel 500Gr 820 FPS 750 FPE
	24" Barrel 500Gr 935 FPS 970 FPE
Barrel Length:	32" Barrel
	24" Barrel
	16" Barrel
Overall Length:	32" Barrel 50 inches
	24" Barrel 42 inches
	16" Barrel 34 inches
Muzzle Break	Not included

**READ ALL INSTRUCTIONS AND WARNINGS BEFORE USING AND AIR FILLING THESE AIRGUNS.
POINTED IN A SAFE DIRECTION ALL THE TIME AND MAKE SURE THE AIR RIFLE IS UNLOADED**

WOODEN STOCK ASSEMBLE

Take out the wooden stock and screws, Insert the action into the wood stock then install the provided screws.

Notice: Due to the soft wood material, DO NOT OVER TIGHTEN THE SCREW. It will result in safety or cocking issues.

AIR FILLING



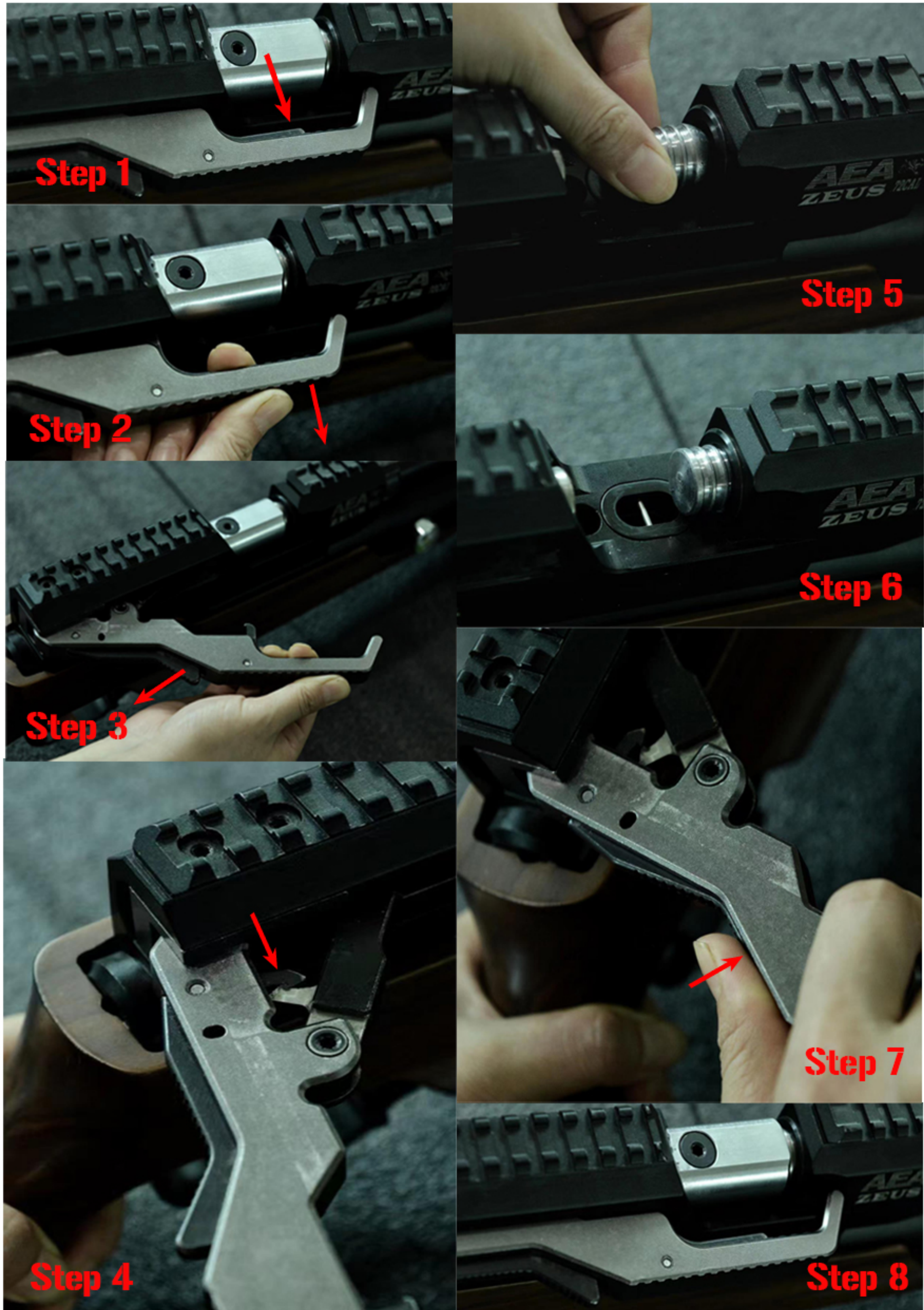
1. Connect your air filling devices hose connector (such as high pressure air compressor, scuba air tanks, hand pump or recharging station) with the air fill hose on the air tube directly.

Notice: Before filling, secure that devices hose and the hose connector connecting tightly.

2. Close the bleed screw on your recharging devices, open the recharging devices valve very slowly. When recharging you must watch the gauge carefully. Never exceed 310 bar / 4500 psi (unless the model allows it). When the air fill is complete, close the recharging devices valves. To disconnect the cylinder from the air filling devices, open the bleed screw. This allows high pressure airs inside the refill clamp to exhaust, making it possible to pull out the hose conector from

Warning: AEA Airguns are designed for Use with dry-filtered, compressed air only. Never use other gases such as oxygen, acetylene, hydrogen, etc. Never fill the air cylinder above 310 BAR /4500psi unless model specified. The resulting damage caused by overcharging the air cylinder or air tank is not covered by the manufacturer's warranty.

LEAD BULLET LOADING



Before loading the airgun secure the safety is in the On Safe position and the muzzle is pointed in a safe direction all the time.

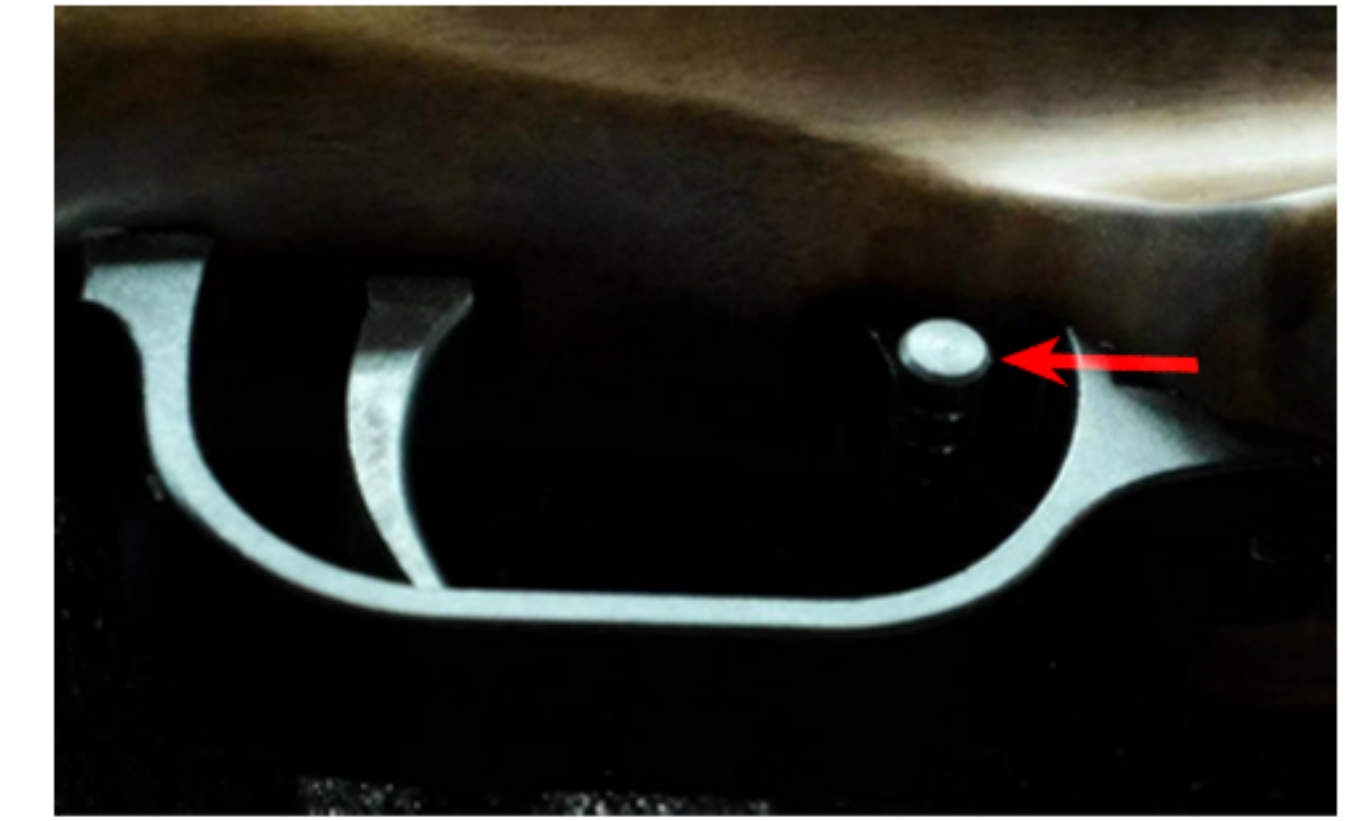
Manually move the safety to the on safe position by switching safety lever back toward trigger.

Push the safety button (Step 1) on the side-lever handle, then (Step 2 and 3) Pull the cocking side-lever to its rear position and finish cocking (Step 4) (The side-lever will completely be locked during cocking and loading the lead bullet.)

After loading the lead bullet (Step 5 and 6) manually, push the safety button (Step 7) on the side-lever and unlock the safety. Push the bolt probe forward and make sure the lead bullets are push into the chamber completely (Step 8) . Push the side-lever again and secure the side-lever be locked after cocking.

WARNING

POINTED IN A SAFE DIRECTION ALL THE TIME AND MAKE SURE THE AIR RIFLE IS UNLOADED



HAMMER DE COCK

To de cock the hammer, pull and hold side lever, squeeze the trigger slowly to decock the hammer spring while holding the cocking side-lever handle.

WARNING

DO NOT MOVE THE SAFETY TO THE FIRE POSITION UNLESS THE AIR GUN IS POINTED IN A SAFE DIRECTION. PRACTICE SAFE AND RESPONSIBLE GUN HANDLING PRACTICES. AFTER DE COCKING THE HAMMER, ALWAYS TO DRY FIRE THE AIR RIFLE IN A SAFE DIRECTION TO ENSURE THE BREECH IS CLEAR.

OPERATIONAL NOTICES

Modification, Removing or disassembling the safety mechanism

Modification, disassembling or removing any of the safety parts can disable the rifle and will void the warranty and will create a hazardous condition.

MODIFICATIONS TO THE VALVE

The valve in the air rifle is not a user-maintainable item. Any attempt to remove or modify the valve in any way will void the warranty and may create a hazardous condition. Filling the air tank with a gas other than dry compressed air is not recommended and will void the warranty.

CLEANING THE BARREL

An airgun barrel needs standard maintenance. If you do clean the barrel, use a good quality bore brush of the correct size, and use a non-jointed cleaning rod if possible. Do not use cleaning solvents and agents formulated for firearms because they can damage the seals and O-rings, use silicon cleaning lubricants and cleaning products.

WARNING

This rifle should only be disassembled by factory-authorized technician and a factory-authorized repair station, or you will void manufacturer warranty automatically including any modification or tuning as well.

MAINTENANCE OF THE AIR CYLINDER

AEA Airguns' air cylinder is made of 7075 aluminium alloy. The air cylinders are designed for Use with dry-filtered, compressed air to fill the air cylinder. Never use other gases such as oxygen, acetylene, hydrogen, etc. Never fill the air cylinder above 300 BAR /4350psi. The resulting damage caused by overcharging the air cylinder is not covered by the manufacturer's warranty.

SHOOTING SAFETY

Never point the muzzle of the rifle at anything you do not intend to shoot. Practice gun safety and responsible gun ownership.

Always wear safety glasses when shooting or operating an air rifle, safety first! Avoid shooting targets that will make the pellet ricochet.

Warranty Information

All AEA Airguns carry ONE YEAR Manufacturer Warranty against faulty workmanship and defective materials. The Manufacturer Warranty will start automatically after you purchased an AEA product from the dealer. Any AEA airguns covered by this warranty will be repaired or replaced at the discretion of AEA Precision Airguns Inc, should a defect in material or workmanship be found, Contact your dealer first. If the rifle is determined to have a defect within the warranty period, contact the warranty center or authorized repair facility to arrange service. The warranty guarantee does not cover any damage caused by tampering with the air rifle or abuse. Normal wear parts such as O-rings and plastic magazines are not covered as well.

Repairs may only be made by the Manufacturer Warranty Center or authorized repair facility. This warranty becomes invalid for any gun that is disassembled or modified in any way not specifically authorized by AEA Precision Airguns Manufacturer. This warranty also becomes invalid for any gun that has been damaged by abuse or improper handling.

A ONE YEAR manufacturer's warranty applies in those instances for all AEA airguns.

Official Website: www.aeaairgun.com

Email: aeaairgun@gmail.com

Photographs, drawings, descriptions, and other information are purely indicative.

AEA Precision Airguns reserves the right to change, modify, or discontinue products or features at any time.

Various AEA Airguns Bring You Completely Different Experiences



AEA
PRECISION AIRGUNS

AEA PRECISION AIRGUNS INC.

www.aeaairgun.com

aeaairgun@gmail.com