



AEA CHALLENGER BULLPUP BIGBORE ELITE USER'S MANUAL

WWW.AEAAIRGUN.COM

WARNING

READ ALL INSTRUCTIONS AND WARNINGS BEFORE USING AEA PRODUCTS

This air rifle is not a toy, and improper use may lead to severe injury or accidental fatality.

Adult supervision is strongly advised for the operation of this airgun.

Under no circumstances should you attempt to disassemble this rifle without authorization from the manufacturer.

Never discharge the rifle when it lacks air pressure or if the air cylinder has been removed.

Exclusively use lead pellets. Any other projectiles are unauthorized and will nullify the manufacturer's warranty.

AEA Airguns are designed to be used with dry-filtered, compressed air for filling the air cylinder.

Avoid using alternative gases like oxygen, acetylene, hydrogen, etc., at all costs.

Do not exceed a pressure of 310 BAR / 4500 PSI (working pressure) when filling the air rifle air cylinder unless the specific model states otherwise. Over-charging will result in damage not covered by the manufacturer's warranty.

Always wear appropriate eye and ear protection while operating the airgun.

Keep the air rifle pointed in a safe direction and be aware of the backstop.

Never aim the air rifle at anything you do not intend to shoot.

Always ensure that the pellet matches the correct caliber for the air gun and never reuse pellets.

If the air gun will not be in use, do not leave it loaded.

Keep fingers away from the trigger until you are ready to fire, and do not load the rifle prematurely.

When transporting the airgun, confirm the safety is engaged and the gun is unloaded.

Store the airgun (unloaded) and its ammunition separately in secure locations, out of children's reach.

Users must adhere to all local laws pertaining to air gun ownership and use.

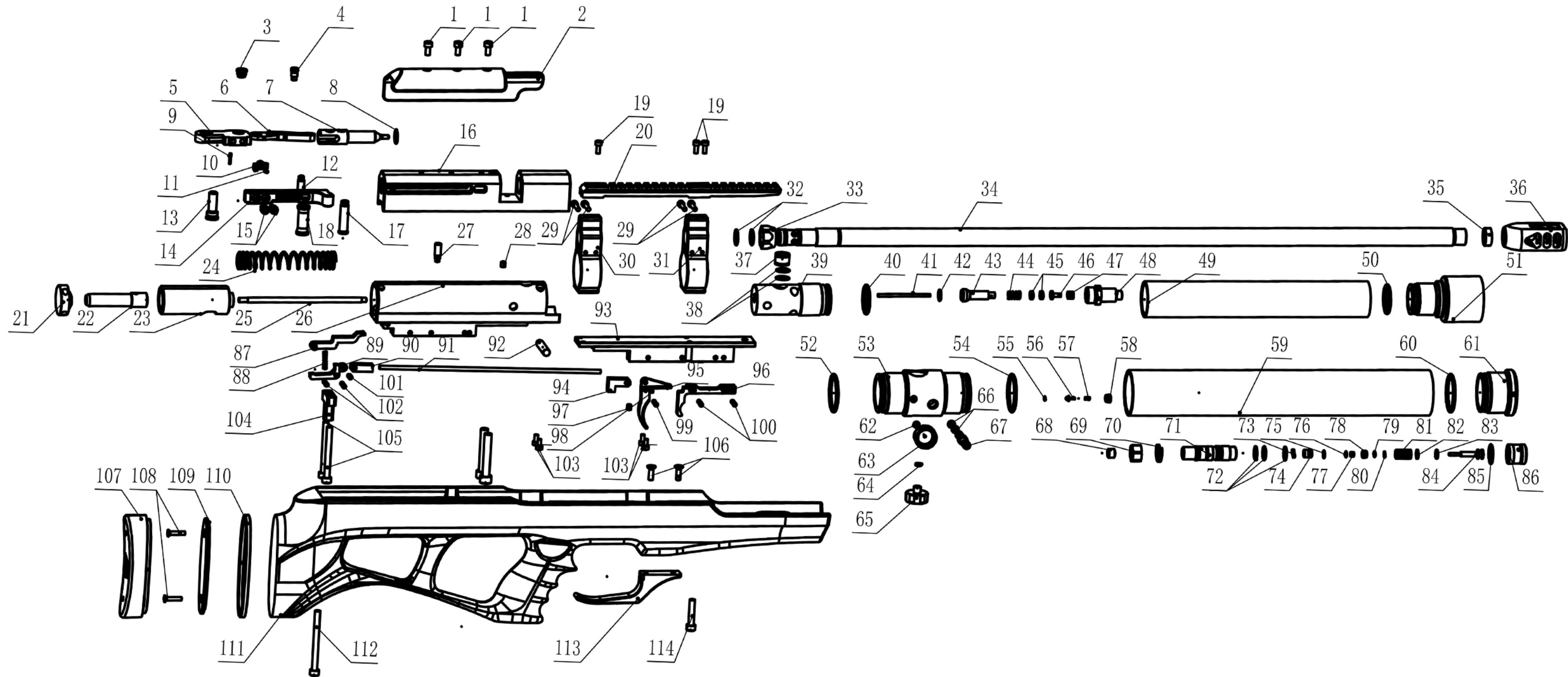
We strongly advise visual inspections of the air cylinder every three years to ensure continued safety and performance.

FAILURE TO OBSERVE THE ABOVE WARNINGS CAN RESULTING DAMAGE TO YOUR AIR RIFLE, ACCIDENTAL DEATH OR SERIOUS INJURY. PRACTICE GUN SAFETY AND RESPONSIBILITY

SPECIFICATIONS

CALIBER	.35 CAL
	.45 CAL
	.50 CAL
	.510 CAL
WEIGHT	8.2 LBS
BARREL LENGTH	30 Inches
OVERALL LENGTH	42 Inches
Cocking System	Side Lever
Magazine Capacity	.35 CAL 10 SHOTS
	.45 CAL 6 SHOTS
	.50 CAL 6 SHOTS
	.510 CAL 6 SHOTS
Air Tube Capacity	600 CC
Air Filling Pressure	310 Bar / 4500 PSI
Muzzle Energy	.35 CAL UP TO 250 FPE
	.45 CAL UP TO 400 FPE
	.50 CAL UP TO 450 FPE
	.510 CAL UP TO 500 FPE
Optic	Picatinny Rail
Muzzle Break	
External And Adjustable Regulator	
Walnut Wooden Stock	

CHALLENGER BULLPUP BIGBORE ELITE AIR RIFLE



REVISED OCT 2023

WOODEN STOCK ASSEMBLE

Take out the wooden stock and screws, Insert the action into the wood stock then install the provided screws.

Notice: Due to the soft wood material, DO NOT OVER TIGHTEN THE SCREW. It will result in safety or cocking issues.

AIR FILLING

Insert air fill probe into your air filling devices (such as high pressure air compressor, scuba air tanks, hand pump or recharging station) hose connector.

Notice: Before filling, secure that devices hose and the fill probe connecting tightly.



Insert the fill probe into the air filling hole.

Close the bleed screw on your recharging devices, open the recharging devices valve very slowly. When recharging you must watch the gauge carefully. Never exceed 310 bar / 4500 psi (unless the model allows it). When the air fill is complete, close the recharging devices valves. To disconnect the cylinder from the air filling devices, open the bleed screw. This allows high pressure air inside the refill clamp to exhaust, making it possible to pull out the fill probe from air filling hole.

Warning: AEA Airguns are designed for Use with dry-filtered, compressed air only. Never use other gases such as oxygen, acetylene, hydrogen, etc. Never fill the air cylinder above 310 BAR /4500 psi unless model specified. The resulting damage caused by overcharging the air cylinder or air tank is not covered by the manufacturer's warranty.

LOADING SLUG & MAGAZINE

Spring Tension Magazine Removal

Pull the cocking lever and cocking keep the

bolt lever on the rear position.

Remove the magazine from the slot then hold the bolt lever and pull the trigger while holding the cocking lever in order to de cock the hammer.



Load slugs by pushing the transparent cover **counter clockwise** until the cover stops. Keep the cover open in the end position.

Put one slug in the open slot from the opposite end of the magazine, the head of the slug shall be pointing out of the hole.

The back of the slug should now be seen through the transparent cover.

This slug will lock magazine spring.

Now turn the slug so that the transparent cover is facing you.

Turn the cover clockwise one slot at the time and fill in remaining slugs from the transparent cover. Lock the transparent cover at starting position.

WARNING
Lead slugs shoot only. The use of any projectile other than a lead slug is unauthorized and will void the manufacturer's warranty.

Always make sure that each slug you use is the proper caliber for the airgun and never re-use slugs. Rotate the magazine's cover in counter clockwise direction. Don't rotate in the wrong direction or you will damage the magazine's spring tension. User abuse will void manufacturer's warranty automatically.



LOADING THE MAGAZINE

Pull the cocking lever to its rear position.

Insert the full loaded magazine into the slot.

POINTED IN A SAFE DIRECTION ALL THE TIME AND MAKE SURE

THE AIR RIFLE IS UNLOADED

Pointed in a safe direction all the time

WARNING

IF YOU WERE NOT INTEND TO SHOOT HOLD THE BOLT LEVER AND PULL THE TRIGGER SLOWLY IN ORDER TO DE COCK THE HAMMER.

POINTED IN A SAFE DIRECTION ALL THE TIME AND MAKE SURE THE AIR RIFLE IS UNLOADED

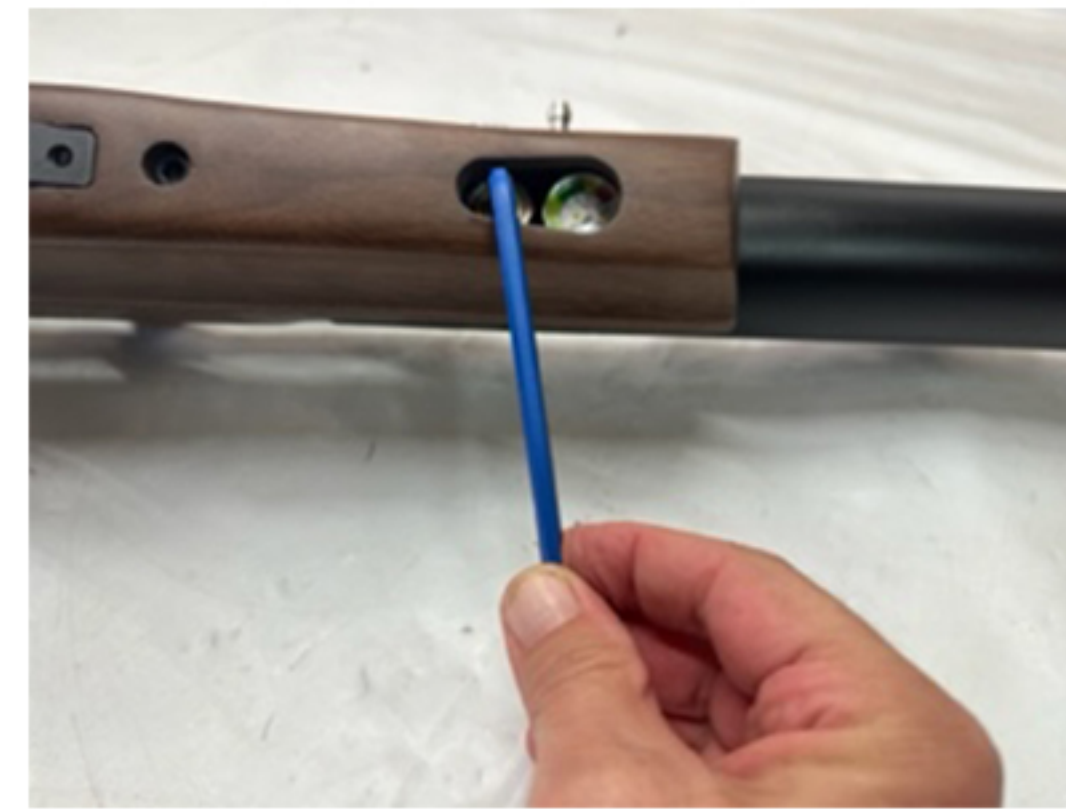
COCKING, DISCHARGING, LOADING AND FIRING

Before loading the airgun secure the safety is in the On Safe position and the muzzle is pointed in a safe direction all the time. Manually move the safety to the on safe position by switching safety lever back toward trigger.

To cock the air rifle, pull the side lever until the bolt is held in the cocked position. After cocking, push the cocking lever forward in order to push the slugs into the chamber.

To fire, take your target, aim, switch the safety to the fire position and squeeze the trigger until the air rifle discharges. To de cock the hammer, pull and hold bolt lever, remove the magazine from the slot, squeeze the trigger slowly to decock the hammer spring while holding the cocking side lever.

WARNING: Do not move the safety to the Fire position unless the air gun is pointed in a safe direction. Practice safe and responsible gun handling practices. After de cocking the hammer, always to dry fire the air rifle in a safe direction to ensure the breech is clear.



REGULATOR ADJUSTMENT

Adjustment of the external adjustable regulator: Find the corresponding size of the internal hexagonal screwdriver, turn the screw clockwise to lower the regulator pressure value, and turn the screw counterclockwise to increase the regulator pressure value.

WARNING

After discharge the hammer, there is one projectile existing in the barrel chamber probably. Do not move the safety to the On Fire position unless the air gun is pointed in a safe direction. Safe means that if the gun discharged it would not cause injury or property damage. Mechanical safeties are not infallible and do not replace the need for responsible gun handling practices.

OPERATIONAL NOTICES

Modification, Removing or disassembling the safety mechanism

Modification, disassembling or removing any of the safety parts can disable the rifle and will void the warranty and will create a hazardous condition.

MODIFICATIONS TO THE VALVE

The valve in the air rifle is not a user-maintainable item. Any attempt to remove or modify the valve in any way will void the warranty and may create a hazardous condition. Filling the air tank with a gas other than dry compressed air is not recommended and will void the warranty.

CLEANING THE BARREL

An airgun barrel needs standard maintenance. If you do clean the barrel, use a good quality bore brush of the correct size, and use a non-jointed cleaning rod if possible. Do not use cleaning solvents and agents formulated for firearms because they can damage the seals and O-rings, use silicon cleaning lubricants and cleaning products.

WARNING

This rifle should only be disassembled by factory-authorized technician and a factory-authorized repair station, or you will void manufacturer warranty automatically including any modification or tuning as well.

MAINTENANCE OF THE AIR CYLINDER

AEA Airguns' air cylinder is made of 7075 aluminium alloy. The air cylinders are designed for Use with dry-filtered, compressed air to fill the air cylinder. Never use other gases such as oxygen, acetylene, hydrogen, etc. Never fill the air cylinder above 310 BAR /4500psi. The resulting damage caused by overcharging the air cylinder is not covered by the manufacturer's warranty.

SHOOTING SAFETY

Never point the muzzle of the rifle at anything you do not intend to shoot. Practice gun safety and responsible gun ownership.

Always wear safety glasses when shooting or operating an air rifle, safety first! Avoid shooting targets that will make the pellet ricochet.

Warranty Information

All AEA Airguns carry ONE YEAR Manufacturer Warranty against faulty workmanship and defective materials. The Manufacturer Warranty will start automatically after you purchased an AEA product from the dealer. Any AEA airguns covered by this warranty will be repaired or replaced at the discretion of AEA Precision Airguns Inc, should a defect in material or workmanship be found, Contact your dealer first. If the rifle is determined to have a defect within the warranty period, contact the warranty center or authorized repair facility to arrange service. The warranty guarantee does not cover any damage caused by tampering with the air rifle or abuse. Normal wear parts such as O-rings and plastic magazines are not covered as well.

Repairs may only be made by the Manufacturer Warranty Center or authorized repair facility. This warranty becomes invalid for any gun that is disassembled or modified in any way not specifically authorized by AEA Precision Airguns Manufacturer. This warranty also becomes invalid for any gun that has been damaged by abuse or improper handling.

A ONE YEAR manufacturer's warranty applies in those instances for all AEA airguns.

Official Website: www.aeaairgun.com

Email: aeaairgun@gmail.com

Photographs, drawings, descriptions, and other information are purely indicative.

AEA Precision Airguns reserves the right to change, modify, or discontinue products or features at any time.

Various AEA Airguns Bring You Completely Different Experiences



AEA
PRECISION AIRGUNS

AEA PRECISION AIRGUNS INC.

www.aeaairgun.com

aeaairgun@gmail.com