



AEA ELEMENT AIR RIFLE USER'S MANUAL

WWW.AEAIRGUN.COM

WARNING

READ ALL INSTRUCTIONS AND WARNINGS BEFORE USING AEA PRODUCTS

This air rifle is not a toy. Misuse or carelessness can lead to serious injury or accidental death.

This airgun is intended for use by adults or under adult supervision only. Do not attempt to disassemble the rifle without the manufacturer's authorization. Never fire the rifle when it is out of air or when the air cylinder is removed.

Please use only lead pellets. The use of any projectile other than a lead pellet is unauthorized and will void the manufacturer's warranty.

AEA Airguns are designed to be used with dry-filtered, compressed air to fill the air cylinder. Never use other gases, such as oxygen, acetylene, or hydrogen.

Do not fill the air cylinder of this air rifle above 250 BAR/3625 PSI (working pressure) unless specifically stated for the model. The manufacturer's warranty does not cover damages resulting from overcharging the air cylinder.

Always wear eye and ear protection when using an airgun. Always point the air rifle in a safe direction, and be aware of the backstop. Never point an air rifle at anything you do not intend to shoot.

Always ensure that each pellet used is of the proper caliber for the air gun, and never reuse pellets. Do not leave the air gun loaded when not in use.

Keep your fingers away from the trigger and do not load the rifle until you are ready to fire.

When transporting an airgun, ensure that the safety is on and the gun is unloaded. Store the airgun (unloaded) and ammunition in separate, safe places out of reach of children.

Please follow all local laws regarding air gun ownership and use. We recommend that you have the air cylinder visually inspected every three years.

FAILURE TO OBSERVE THE ABOVE WARNINGS CAN RESULTING DAMAGE TO YOUR AIR RIFLE, ACCIDENTAL DEATH OR SERIOUS INJURY. PRACTICE GUN

SAFETY AND RESPONSIBILITY

SPECIFICATION

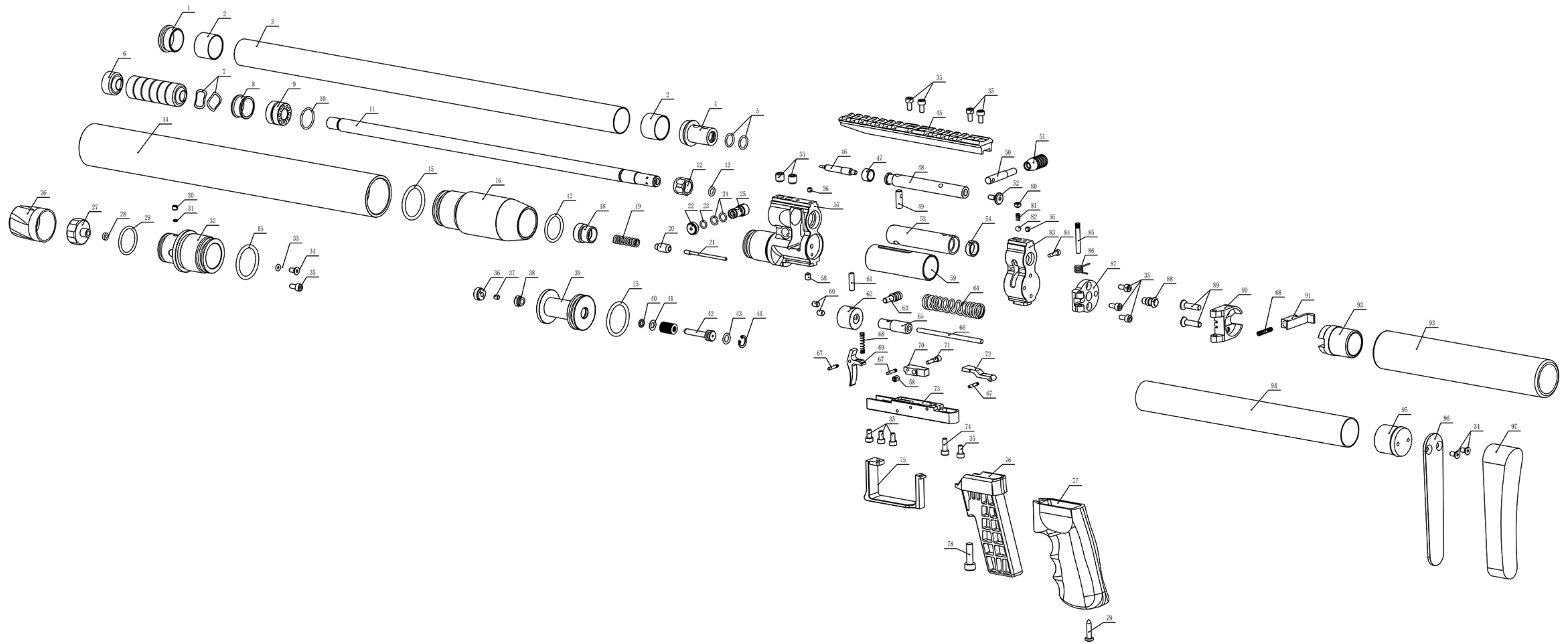
AEA ELEMENT AIR RIFLE



CALIBER	.22 CAL
	.25 CAL
Weight	2.8 LBS
Barrel Length	16 Inches
Overall Length	35 Inches
Integral Shroud	
Cocking System	Bolt Action
Magazine Capacity	.22 Cal 10 shots
	.25 Cal 8 shots
Air Filling Pressure	3600 PSI
Air Tube Capacity	180 CC
Upgrade Air Tube and Reg	300 CC
Muzzle Velocity	.22 Cal 1000 FPS 14.3 GR
	.25 Cal 850 FPS 24 GR
Optics	Picatinny Rail Scope Mount

DIAGRAM

AEA ELEMENT AIR RIFLE



AIR FILLING

Start by pulling out the end cap on the air cylinder.

Insert the 7mm air fill probe into the hose connector of your air filling device (such as a high-pressure air compressor, scuba air tank, hand pump, or recharging station). Before filling, make sure that the device's hose and the fill probe are tightly connected.

Insert the 7mm fill probe into the air filling hole on the cylinder.

Close the bleed screw on your recharging device and open the valve very slowly. Keep a close eye on the gauge while recharging and never exceed 300 bar / 4350 psi (unless the model allows it). Once the air fill is complete, close the recharging device valve. To disconnect the cylinder from the air filling device, open the bleed screw to allow the high-pressure air inside the refill clamp to exhaust, then

remove the 7mm fill probe from the air filling hole.

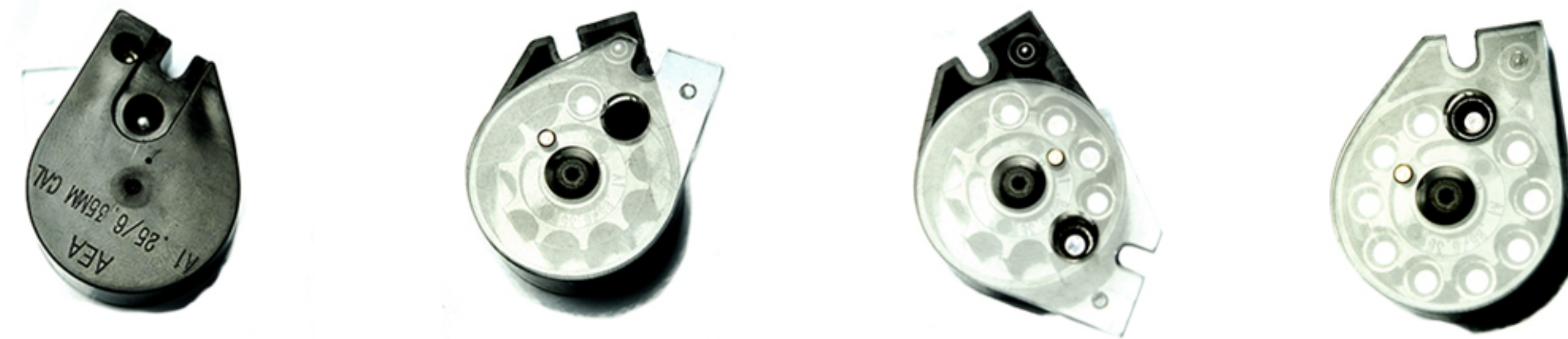
Finally, after finishing the air filling process, put the end cap back on to prevent dust from entering the air filling hole.

Warning: AEA Airguns are designed to be used with dry-filtered, compressed air only. Never use other gases such as oxygen, acetylene, or hydrogen. Also, never fill the air cylinder above 300 BAR / 4350 psi unless the model specifies it. Overcharging the air cylinder or air tank can cause damage that is not covered by the manufacturer's warranty.



LOADING PELLETS & MAGAZINE

Spring Tension Magazine Removal
Pull the cocking handle and cocking keep the bolt handle on the rear position. Remove the magazine from the slot then hold the bolt handle and pull the trigger while holding the cocking handle in order to de cock the hammer.



Load pellets by pushing the transparent cover **counter clockwise** until the cover stops. Keep the cover open in the end position. Put one pellet in the open slot from the opposite end of the magazine, the head of the pellet shall be pointing out of the hole. The back of the pellet should now be seen through the transparent cover. This pellet will lock magazine spring. Now turn the magazine so that the transparent cover is facing you. Turn the cover clockwise one slot at the time and fill in remaining pellets from the transparent cover. Lock the transparent cover at starting position.

WARNING

Lead pellets shoot only. The use of any projectile other than a lead pellet is unauthorized and will void the manufacturer's warranty.

Always make sure that each pellet you use is the proper caliber for the airgun and never re-use pellets. Rotate the magazine's cover in counter clockwise direction. Don't rotate in the wrong direction or you will damage the magazine's spring tension. User abuse will void manufacturer's warranty automatically.

LOADING THE MAGAZINE

Pull the cocking handle to its rear position. Insert the full loaded magazine into the slot. **POINTED IN A SAFE DIRECTION ALL THE TIME AND MAKE SURE THE AIR RIFLE IS UNLOADED** Pointed in a safe direction all the time

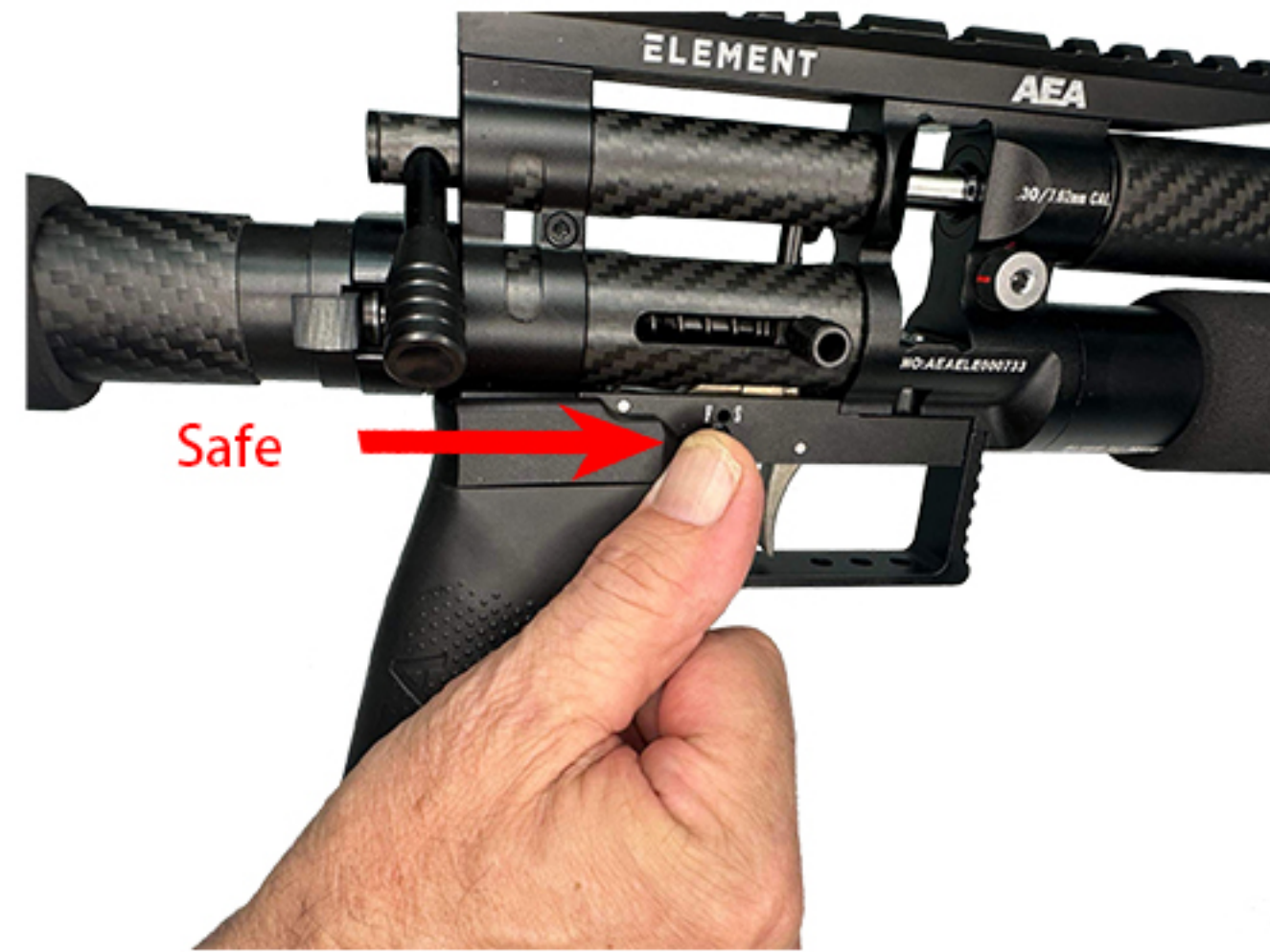
WARNING

IF YOU WERE NOT INTEND TO SHOOT HOLD THE BOLT HANDLE AND PULL THE TRIGGER SLOWLY IN ORDER TO DE COCK THE HAMMER.

POINTED IN A SAFE DIRECTION ALL THE TIME AND MAKE SURE THE AIR RIFLE IS UNLOADED

COCKING, DISCHARGING, LOADING AND FIRING

Before loading the airgun secure the safety is in the On Safe position and the muzzle is pointed in a safe direction all the time. Manually move the safety to the on safe position by switching safety lever front toward trigger.



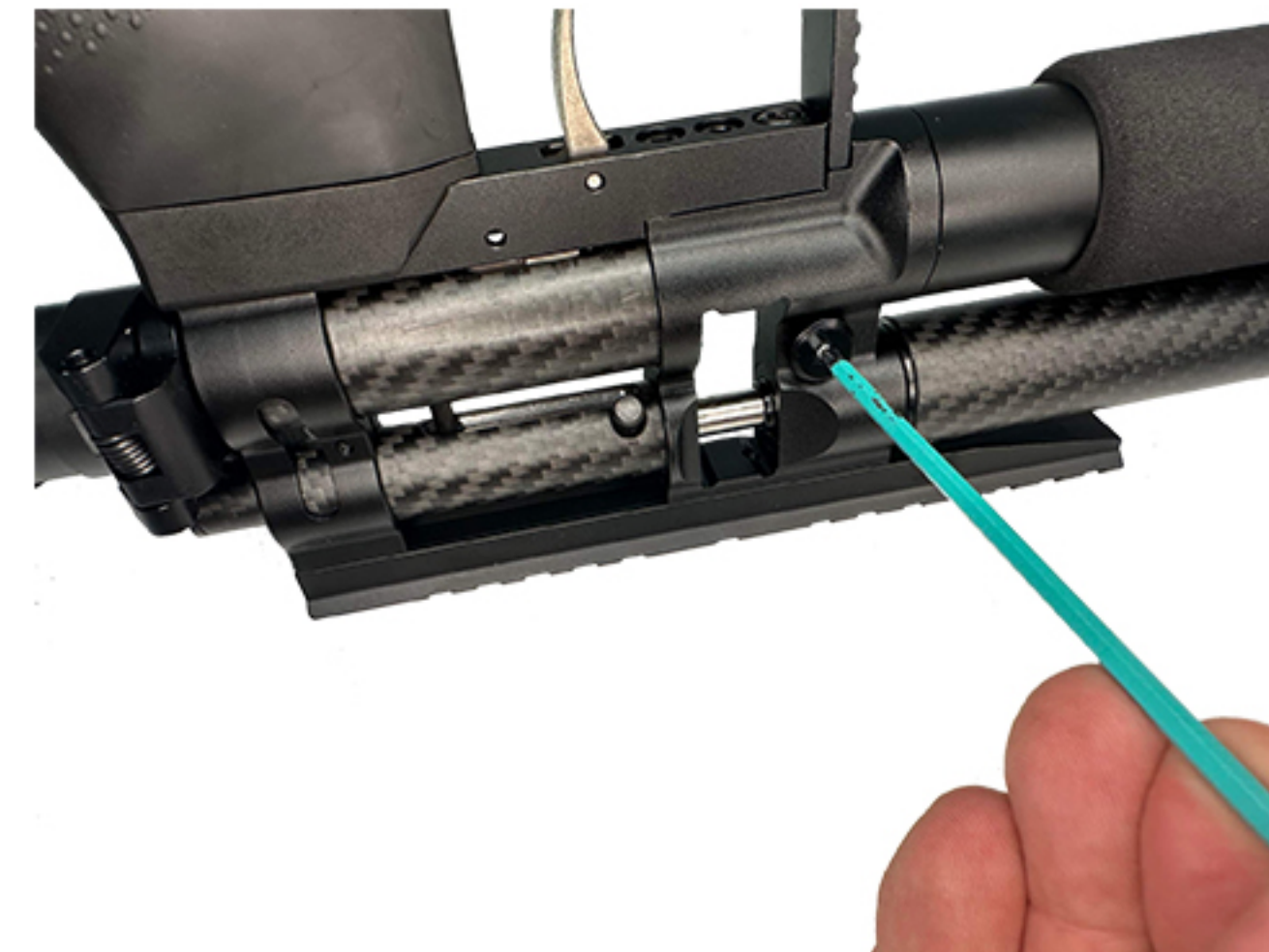
To cock the air rifle, pull the bolt lever until the bolt is held in the cocked position.

After cocking, push the cocking lever forward in order to push the pellets into the chamber, then rotate the bolt lever into lock position.

To fire, take your target, aim, switch the safety to the fire position and squeeze the trigger until the air rifle discharges.

You have 2 ways to de cock the hammer, pull and hold bolt lever, remove the magazine from the slot, squeeze the trigger slowly to decock the hammer spring while holding the cocking handle. Or pull and hold the decock handle, squeeze the trigger slowly. After decock the hammer in this way, you can't remove the mag and one pellet is remaining in the breech and ready to shot anytime.

WARNING: Do not move the safety to the Fire position unless the air gun is pointed in a safe direction. Practice safe and responsible gun handling practices. After decocking the hammer, always to dry fire the air rifle in a safe direction to ensure the breech is clear.



POWER ADJUSTMENT

Power can be adjusted with the power adjusting wheel.

Find you an allen key matching the lock screw and unscrew the power adjustment wheel. (hold one side lock nut tightly and rotate another side adjustment wheel)

Max power is at 12 o clock position, turning the knob either to the left or right will lower the power with 9 o clock and 3 o clock positions being fully closed (min power)

Notice: After adjusting, lock the power adjustment lock nuts, do not over tighten.

WARNING
After discharge the hammer, there is one projectile existing in the barrel chamber probably.

Do not move the safety to the On Fire position unless the air gun is pointed in a safe direction. Safe means that if the gun discharged it would not cause injury or property damage. Mechanical safeties are not infallible and do not replace the need for responsible gun handling practices.

MODIFICATION, REMOVAL OR DISASSEMBLY OF SAFETY MECHANISM

ANY MODIFICATION, DISASSEMBLY OR REMOVAL OF THE SAFETY MECHANISM OR ANY OF ITS PARTS MAY DISABLE THE RIFLE AND CREATE A HAZARDOUS CONDITION. SUCH ACTIONS WILL ALSO VOID THE WARRANTY.

MODIFICATIONS TO THE VALVE

THE VALVE IN THE AIR RIFLE IS NOT A USER-MAINTAINABLE ITEM. ANY ATTEMPT TO REMOVE OR MODIFY THE VALVE IN ANY WAY WILL VOID THE WARRANTY AND MAY CREATE A HAZARDOUS CONDITION. PLEASE NOTE THAT FILLING THE AIR TANK WITH A GAS OTHER THAN DRY COMPRESSED AIR IS NOT RECOMMENDED AND WILL VOID THE WARRANTY.

CLEANING THE BARREL

THE AIRGUN BARREL REQUIRES STANDARD MAINTENANCE. IF YOU DECIDE TO CLEAN THE BARREL, USE A GOOD QUALITY BORE BRUSH OF THE CORRECT SIZE, AND PREFERABLY A NON-JOINTED CLEANING ROD. DO NOT USE CLEANING SOLVENTS AND AGENTS FORMULATED FOR FIREARMS BECAUSE THEY CAN DAMAGE THE SEALS AND O-RINGS. PLEASE USE SILICON CLEANING LUBRICANTS AND CLEANING PRODUCTS.

WARNING

ONLY A FACTORY-AUTHORIZED TECHNICIAN AND A FACTORY-AUTHORIZED REPAIR STATION SHOULD DISASSEMBLE THIS RIFLE. ANY ATTEMPT TO DO SO, INCLUDING MODIFICATION OR TUNING, WILL AUTOMATICALLY VOID THE MANUFACTURER'S WARRANTY.

MAINTENANCE OF THE AIR CYLINDER

THE AEA AIRGUNS' AIR CYLINDER IS MADE OF 7075 ALUMINUM ALLOY AND IS DESIGNED FOR USE WITH DRY-FILTERED, COMPRESSED AIR TO FILL THE CYLINDER. PLEASE DO NOT USE OTHER GASES SUCH AS OXYGEN, ACETYLENE, HYDROGEN, ETC. ALSO, NEVER FILL THE AIR CYLINDER ABOVE 250 BAR /3625 PSI BECAUSE OVERCHARGING IT CAN CAUSE DAMAGE THAT IS NOT COVERED BY THE MANUFACTURER'S WARRANTY.

SHOOTING SAFETY

NEVER POINT THE RIFLE'S MUZZLE AT ANYTHING THAT YOU DO NOT INTEND TO SHOOT. ALWAYS PRACTICE GUN SAFETY AND RESPONSIBLE GUN OWNERSHIP. WEAR SAFETY GLASSES WHEN SHOOTING OR OPERATING AN AIR RIFLE. AVOID SHOOTING TARGETS THAT CAN MAKE THE PELLET RICOCHET.

WARRANTY INFORMATION

ALL AEA AIRGUNS COME WITH A ONE-YEAR MANUFACTURER WARRANTY AGAINST FAULTY WORKMANSHIP AND DEFECTIVE MATERIALS. THE WARRANTY PERIOD BEGINS AUTOMATICALLY AFTER YOU PURCHASE AN AEA PRODUCT FROM AN AUTHORIZED DEALER. ANY AEA AIRGUNS COVERED BY THIS WARRANTY WILL BE REPAIRED OR REPLACED AT THE DISCRETION OF AEA PRECISION AIRGUNS INC., SHOULD A DEFECT IN MATERIAL OR WORKMANSHIP BE FOUND. IF THE RIFLE HAS A DEFECT WITHIN THE WARRANTY PERIOD, CONTACT THE WARRANTY CENTER OR AUTHORIZED REPAIR FACILITY TO ARRANGE SERVICE. PLEASE NOTE THAT THE WARRANTY GUARANTEE DOES NOT COVER ANY DAMAGE CAUSED BY TAMPERING WITH THE AIR RIFLE OR ABUSE. NORMAL WEAR PARTS SUCH AS O-RINGS AND PLASTIC MAGAZINES ARE NOT COVERED. REPAIRS MAY ONLY BE MADE BY THE MANUFACTURER WARRANTY CENTER OR AUTHORIZED REPAIR FACILITY. THIS WARRANTY BECOMES INVALID FOR ANY GUN THAT IS DISASSEMBLED OR MODIFIED IN ANY WAY NOT SPECIFICALLY AUTHORIZED BY AEA PRECISION AIRGUNS MANUFACTURER. THIS WARRANTY ALSO BECOMES INVALID FOR ANY GUN THAT HAS BEEN DAMAGED BY ABUSE OR IMPROPER HANDLING.

AEA PRECISION AIRGUNS RESERVES THE RIGHT TO CHANGE, MODIFY OR DISCONTINUE PRODUCTS OR FEATURES AT ANY TIME. PHOTOGRAPHS, DRAWINGS, DESCRIPTIONS, AND OTHER INFORMATION ARE PURELY INDICATIVE.

FOR MORE INFORMATION, PLEASE VISIT OUR OFFICIAL WEBSITE AT WWW.AEAIRGUN.COM OR CONTACT US AT AEAIRGUN@GMAIL.COM.

Various AEA Airguns Bring You Completely Different Experiences



AEA
PRECISION AIRGUNS

AEA PRECISION AIRGUNS INC.

www.aeaairgun.com

aeaairgun@gmail.com