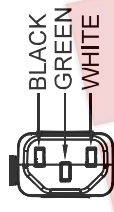
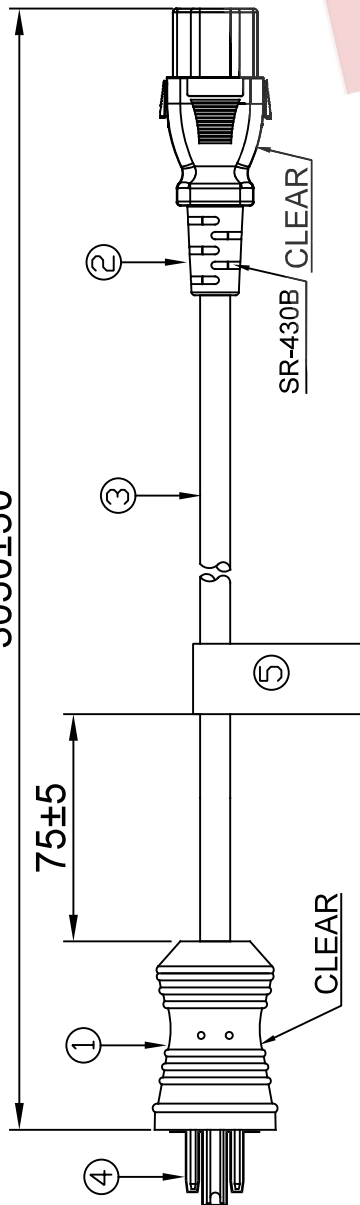


**RoHS (2011/65/EU) COMPLIANT**

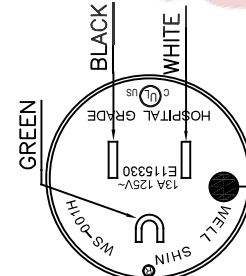
CUSTOMER:	P/N: MD170-AL	REV.	APPROVED BY:
REVISIONS			
REV.	DESCRIPTION	DATE	
△		2018/01/19	
△	Change the tail security printing	2019/04/16	
△			
△			
△			

3050±50

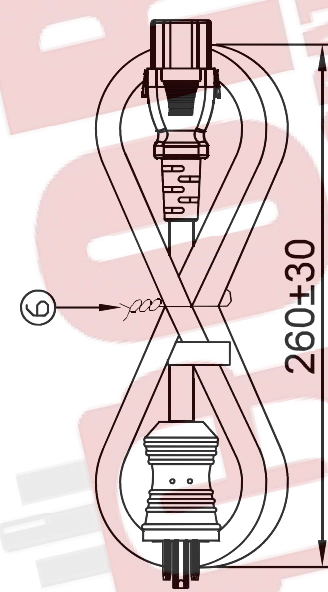


NOTES:  
1. RoHS shown on the carton

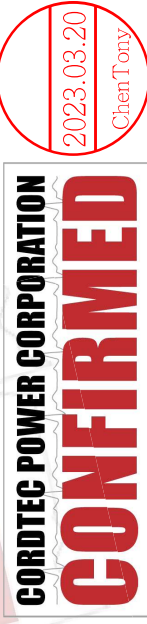
MARKING:



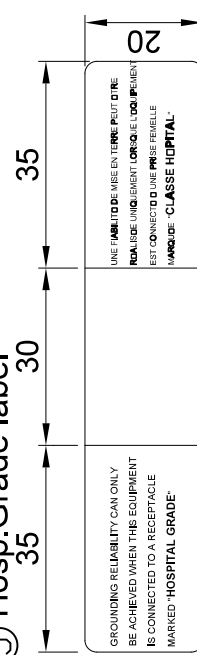
MARKING:  
WELL SHIN®  
WS-002A-4A  
E115330  
13A 125V~  
IEC-60320-C13  
AUTO-LOCK CLEAR



NEMA 5-15P HOSPITAL GRADE CLEAR



⑤ Hosp. Grade label



ITEM	DESCRIPTION	COLOR	Q'TY
⑥	Cable tie	WHITE	1
⑤	Hosp. Grade label	---	1
④	PLASTIC CAP	WHITE Pantone Cool Gray 9C (GY-H)	1
③	SJTW 16AWG*3C 105°C APPROVAL :UL,CUL(CSA)	CLEAR	1
②	WS-002A-4A13 (A) 125(V) APPROVAL :UL,CUL △		1
①	WS-001H 13(A) 125(V) APPROVAL :UL,CUL		1

SIGNATURE	
SAFETY ENGINEER:	
MANAGER BY:	
CHECKED BY:	
DRAWN BY:	



AC Connectors of Cordtec Power Corp  
Main: 1-414-434-2220 Fax: 1-414-323-8386 Text: 1-414-323-3240  
Email: Info@cordtecpower.com  
Website: CordtecPower.com/ ACWORKS.com

