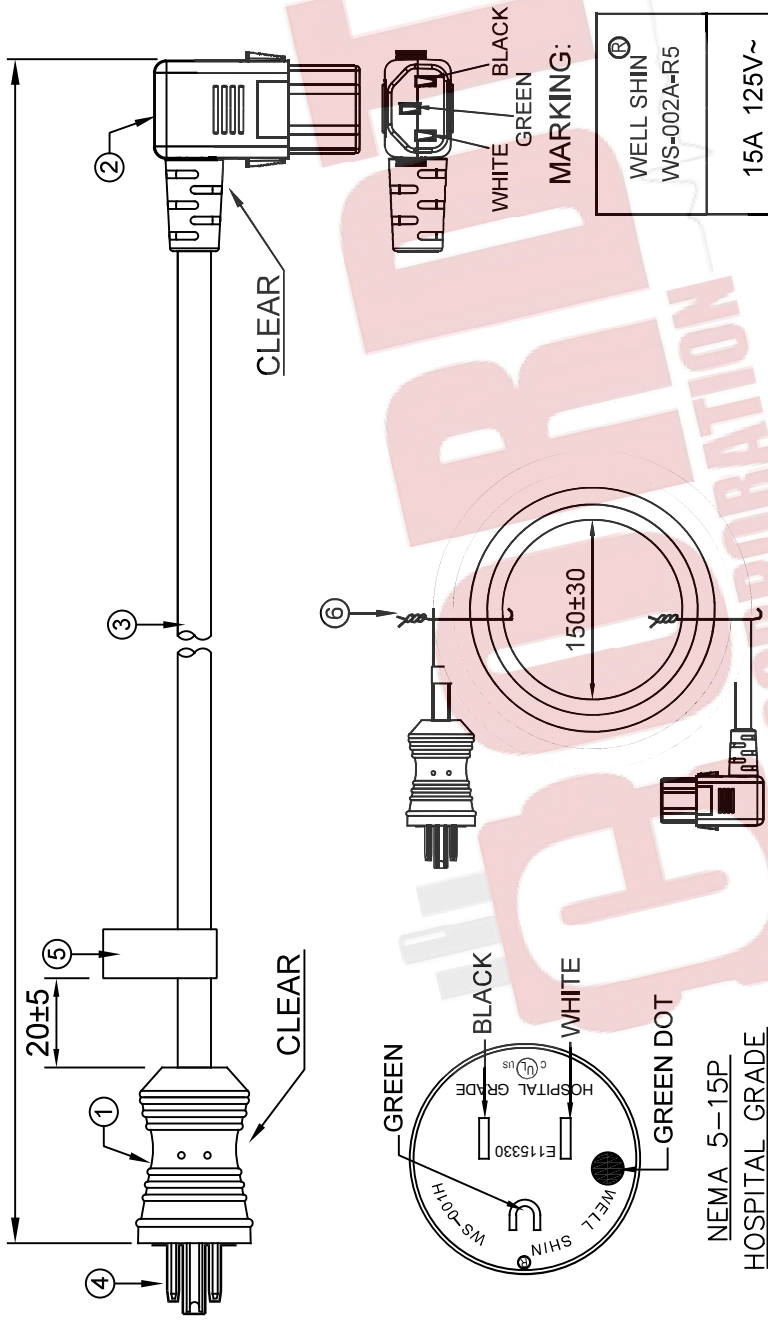


REV.	DESCRIPTION	DATE
△		
△		
△		
△		
△		

CUSTOMER: P/N: MD15ARC13-180AL REV. APPROVED BY:

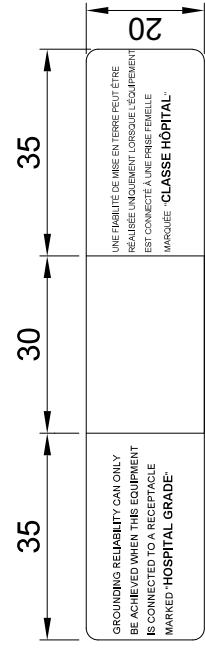
4572±50



2023.03.20  
Chen Tony

**CORDTEC POWER CORPORATION**  
**CONFIRMED**

⑤ Hosp. Grade label



ITEM	DESCRIPTION	COLOR	Q'TY
⑥	Cable tie	WHITE	2
⑤	Hosp. Grade label	---	1
④	Plastic cap	WHITE (GY-H) PANTONE Cool Gray 9C	1
③	SJTW 14AWG 3C 105°C	APPROVAL : UL, CSA	1
②	WS-002A-R5	15 (A) 125(V) APPROVAL : UL, CUL	1
①	WS-001H	15 (A) 125(V) APPROVAL : UL, CUL	1



**AC Connectors of Cordtec Power Corp**  
Main: 1-414-434-2220 Fax: 1-414-323-8386 Text: 1-414-323-3240  
Email: Info@CordtecPower.com  
Website: CordtecPower.com/ ACWORKS.com

SIGNATURE	
SAFETY ENGINEER:	
MANAGER BY:	
CHECKED BY:	
DRAWN BY:	

