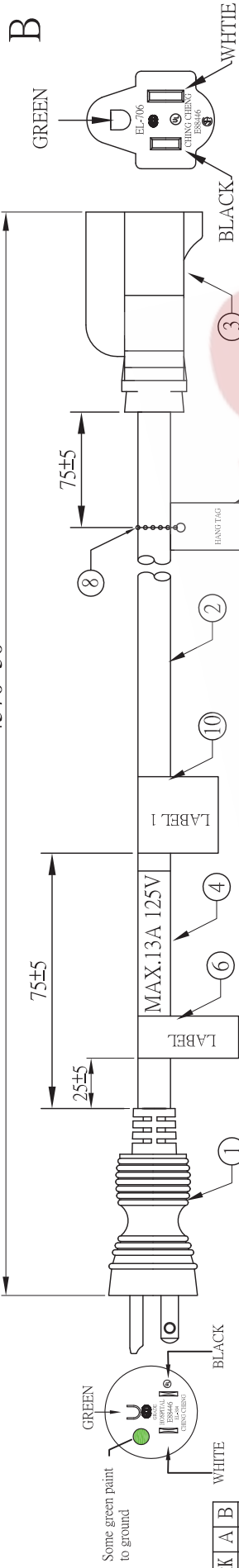


Rev NO.	1.0
CUSTOMER	CORDTEC
(CUS) PART NO.	MD13APR-180
DATE	
REVISION	
ITEM	

4570±50

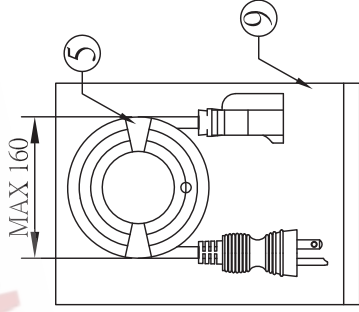


MARK A	MARK B	MARK A	MARK B
CCC	UL	UL	UL
MS	UL	UL	UL
S	UL	UL	UL
ETL	UL	UL	UL
UL	UL	UL	UL
IP44	UL	UL	UL
UL	UL	UL	UL
S	UL	UL	UL
OVIP	UL	UL	UL
UL	UL	UL	UL
UL	UL	UL	UL
UL	UL	UL	UL
UL	UL	UL	UL
UL	UL	UL	UL
UL	UL	UL	UL
UL	UL	UL	UL

HANG TAG: 35±2



LABEL 1 64±2



NO.	DESCRIPTION	QTY
⑩	LABEL 1	1
⑨	PE BAG:200*280*0.05mm	1
⑧	CABLE TIE	1
⑦	HANG TAG	1
⑥	UL LABEL	1
⑤	PE FOIL	2
④	LABEL	1
③	MOLDED CONNECTOR:EL-706(GREY)	1
②	CABLE: SITW 3X16AWG 105°C Pantone Cool Grey 9C	4560mm
①	MOLDED PLUG-EL-304(CLEAR)	1

MATERIAL CONSTITUTE TABLE

NAME		CORD SET	
CC PART NO.		DRAWING NO.	
UNIT	mm	SCALES	Free
DATE	2020.07.13	DRAWING BY	LFM
APPROVED	2020.07.13 张小成	CHECK BY	

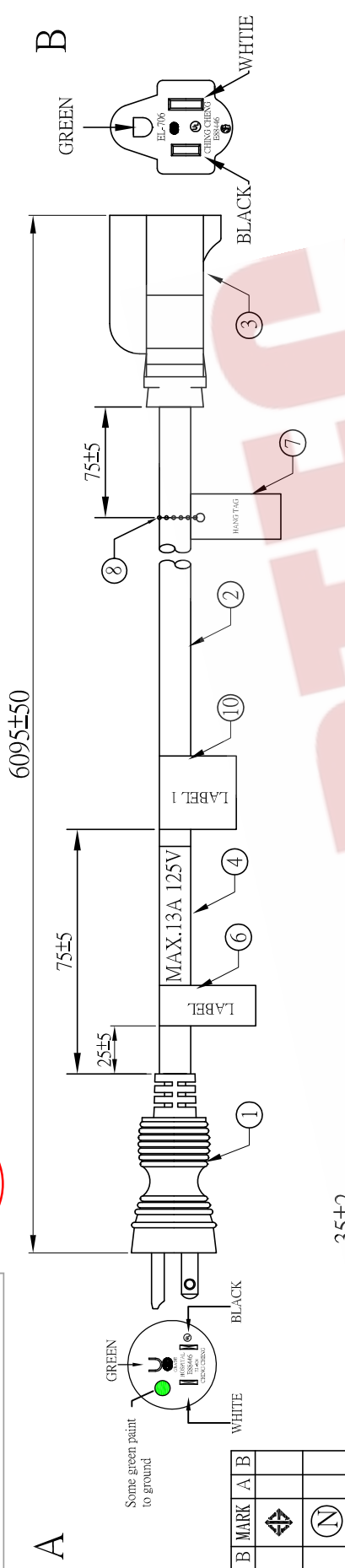
NOTE: 1.THE CABLE SHALL COMPLY WITH UL 62.

- 2.THE MOLDED PLUG SHALL COMPLY WITH NEMA 5-15P.
- 3.THE MOLDED CONNECTOR SHALL COMPLY WITH NEMA 5-15R.
- 4.RoHS COMPLIANCE.
- 5.ADD CORDTEC POWER LABEL 76MM FROM MALE PLUG END.
- 6.SITW 16/3C PVC JACKET BY 75P SOFT PVC MATERIAL.

2020.08.23
Chen Tony

CORDTEC POWER CORPORATION
CONFIRMED

ITEM	REVISION	DATE	CUSTOMER	Rev. NO.
			CORDTEC	1.0
			(CUS) PART NO.	MD13APR-240



MARK	A	B	MARK	A	B
(C)			(N)		
(MS)			(NF)		
(S)			(1312AP)		
(T)			(UL)		
(JET)			(UL)		
(D)			(UL)		
(IP44)			(UL)		
(Y)			(UL)		
(S)			(UL)		
(S)			(UL)		
(V)			(UL)		
(E)			(UL)		
(F)			(UL)		
(D)			(UL)		
(K)			(UL)		

HANG TAG: 35±2

LABEL 1: 64±2



Front

Reverse

NOTE:

1. THE CABLE SHALL COMPLY WITH UL 62 .
2. THE MOLDED PLUG SHALL COMPLY WITH NEMA 5-15P .
3. THE MOLDED CONNECTOR SHALL COMPLY WITH NEMA 5-15R.
4. RoHS COMPLIANCE .
5. ADD CORDTEC POWER LABEL 76MM FROM MALE PLUG END.
6. SITW 163C PVC JACKET BY 75P SOFT PVC MATERIAL.

NO.	DESCRIPTION	QTY
10	LABEL 1	1
9	PE BAG:200*280*0.05mm	1
8	CABLE TIE	1
7	HANG TAG	1
6	UL LABEL	1
5	PE FOIL	2
4	LABEL	1
3	MOLDED CONNECTOR:EL-706(GREY)	1
2	CABLE: SITW 3X16AWG 105°C Pantone Cool Grey 9C	6085mm
1	MOLDED PLUG:EL-304(CLEAR)	1

MATERIAL CONSTITUTE TABLE

Main: 1-414-434-2220 Fax: 1-414-323-8386
 Text: 1-414-323-3240
 Email: Info@CordtecPower.com

NAME	CORD SET
CC PART NO.	DRAWING NO.
UNIT	mm
APPROVED BY	DATE
2020.08.21	2020.08.21
张大成	张大成
SCAD	Free
DRAWING BY	LFM
CHECK BY	

FORMAT NUMBERS : CCHM-RDRG-001-A