

product specifications for:

# 50A Wiring Devices

## Item #: CS8369

### Description

Receptacle, locking

### Electrical Specifications

50 amperes, 250 volts, 3 PH, 3-pole, 4-wire

### Material Specifications

Housing Material: Nylon with a UL flammability of 94V-0

Contact Material: Brass

Mounting screws: Steel

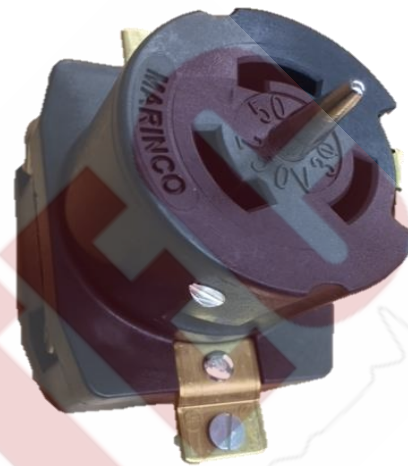
### Terminals

Brass, Perma-Lock design. Accommodates #10 through #6AWG.

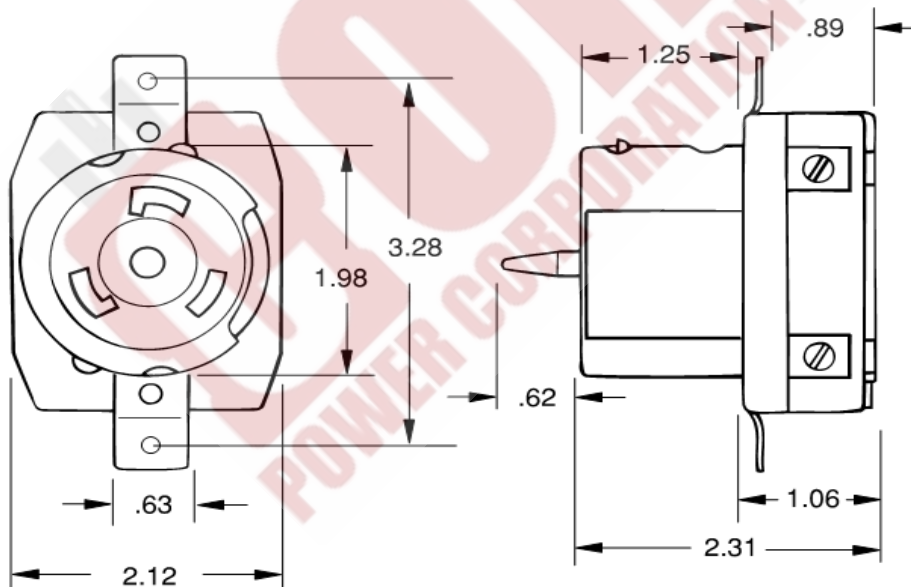
### Listings

UL listed, File E111198

CSA certified, File 81290\_0\_000



Dimensions:



toll free 800.307.6702 | [marinco.com](http://marinco.com)



AC Connectors of Cordtec Power Corp  
Main: 1-414-434-2220 Fax: 1-414-323-8386  
Text: 1-414-323-3240  
Email: [Info@CordtecPower.com](mailto:Info@CordtecPower.com)  
Website: [CordtecPower.com/ACWORKS.com](http://CordtecPower.com/ACWORKS.com)

**MARINCO**