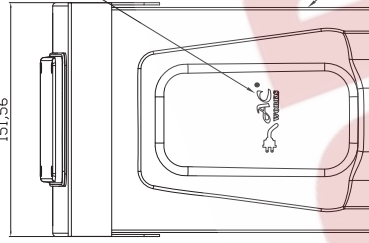
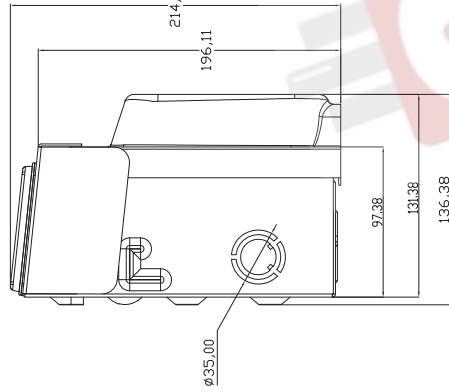


151.56



Print screen logo with black

Top Cover:
5052 Aluminum alloy



Ø35.00

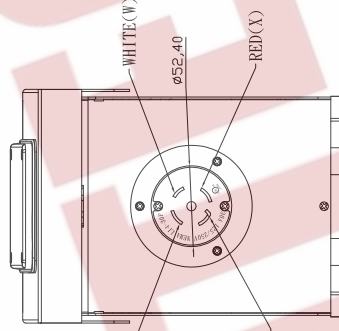
214.17

196.11

97.38

131.38

136.38



BLACK(Y)

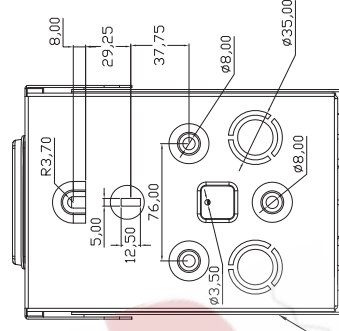
WHITE(W)

Ø52.40

GREEN(G)

RED(X)

Bottom Body:
5052 Aluminum alloy



8.00

29.25

37.75

Ø8.00

Ø35.00

R3.70

5.00

12.50

75.00

Ø3.50

Ø8.00

Ø8.00

Note :

1. IPC/Box(Add Product User Manual).
2. 6PCS/CTN.
3. Put two cardboard in each carton.



AC Connectors of Cordtec Power Corp
 Main: 1-414-434-2220 Fax: 1-414-323-8386
 Text: 1-414-323-3240
 Email: Info@CordtecPower.com
 Website: CordtecPower.com/ ACWORKS.com

TOLERANCE:

DWG NO. : 1 of 1

ITEM: ASL1430PBX

CUSTOMER : Cordtec Power

MATERIAL	DATE	SCALE	REV
Iron	2020.09.18		4.0

CHECKED

DRAWN

APPROVED

Alex