

Single Wooden Swing Frame

Double Wooden Swing Frame

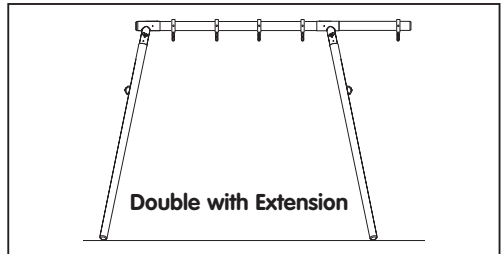
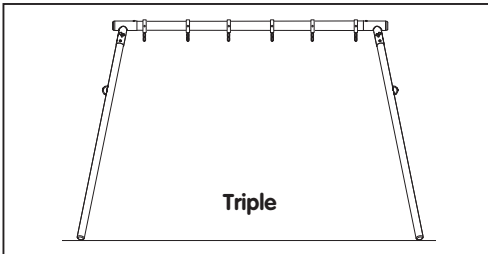
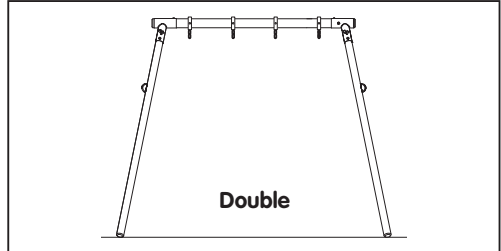
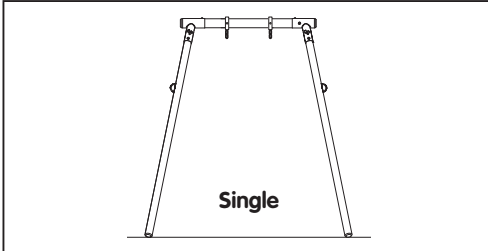
Triple Wooden Swing Frame

Double Wooden Swing Frame & Extension



Instructions for assembly, maintenance and safe use.

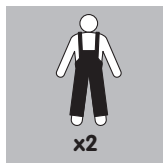
We constantly strive to improve our assembly instructions. To see the most current version of this instruction for assembly, maintenance and safe use. Please visit the product page at tptoys.com



WARNING!

THIS PRODUCT CONTAINS SMALL PARTS AND IS NOT SUITABLE FOR CHILDREN UNDER 36 MONTHS. CONTAINS SMALL PARTS. CHOKING HAZARD. ONLY FOR DOMESTIC USE. FOR OUTDOOR USE. TOY MUST BE ASSEMBLED BY AN ADULT BEFORE USE. ADULT SUPERVISION IS REQUIRED. CHILDREN MUST NOT USE THE EQUIPMENT UNTIL PROPERLY INSTALLED. REMOVE ALL PACKAGING BEFORE GIVING TO YOUR CHILDREN.

THIS PRODUCT IS INTENDED FOR USE BY CHILDREN FROM AGES 3+ YEARS. ANCHORS THAT ARE SUPPLIED WITH THIS PRODUCT MUST BE FITTED BEFORE USE. SINGLE SWING FRAME - MAXIMUM COMBINED USER WEIGHT 100KGS. DOUBLE & TRIPLE SWING FRAMES - MAXIMUM COMBINED USER WEIGHT 200KGS



Robovision Ltd t/a TP Toys
Unit 11, Enterprise Way, Flitwick, Bedfordshire, MK45 5BX England
www.tptoys.com

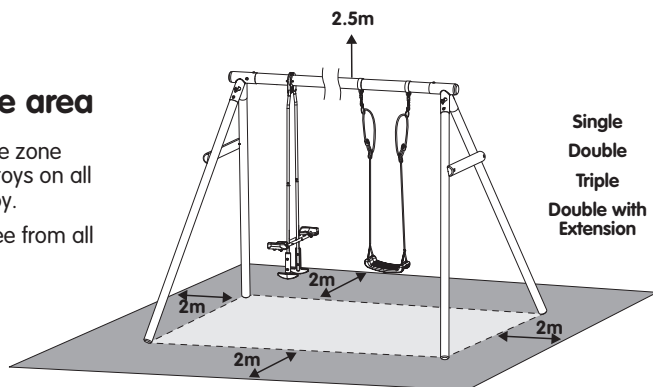
Important advice for assembly, maintenance and safe use

1. Toys must be assembled by an adult before use exactly in accordance with the instructions.
2. Check all parts are present before you start to assemble the product.
3. Place small parts on a tray or similar, to ensure they are not lost.
4. If any parts are missing do not use the product until the replacement parts are fitted.
5. Remove all packaging before giving to your children or allowing them to play with this product.
6. Ensure your product is sited on level ground. Failure to do this may put additional stress on connections and joints and in time could cause them to fail.
7. Ensure your product is located on a soft impact surface like grass. Never locate your product on hard surfaces like concrete or asphalt.
8. Children must not use this product until properly installed.
9. Adult supervision is required at all times to ensure children play safely. Ensure children's clothing is appropriate for the play activity.
10. Equipment should be checked by an adult at the beginning of each season and at regular intervals during the usage season to ensure it is safe.
11. Pay special attention to all connections and fastenings.
12. Parts may need to be replaced if they show signs of wear and tear. Replace any defective parts in accordance with these instructions.
13. Any changes to this toy, e.g. changing or adding an accessory, must be done in accordance with our instructions. Failure to do this will render your guarantee null and void and may make your product unsafe.
14. The age recommendation for this product is clearly stated on the packaging and these instructions. Please adhere to it at all times.
15. When you dispose of this equipment please do so responsibly.

Safe play free space area

The safe play area refers to the zone extending 200cm around the toys on all sides and 250cm above the toy.

The safe play area must be free from all obstacles.



Know Your TP Round Wood Play Equipment.

Timber is a very popular choice for active outdoor toys. For reasons of affordability and the environment, all wood playset manufacturers use softwood rather than hardwood. Each piece of timber is unique, bearing its own knots, cracks and variations in colour.

Round timbers tend to come from younger smaller trees and are complete tree poles, stripped of any bark and other rough materials but subject to no further processing apart from the application of a suitable environmentally friendly preservative.

Our round wood frames are rustic in appearance. The heartwood that they are made from naturally has cracks and splits. These cracks will change over time due to atmospheric conditions. When wet, the wood will take in water, swell and the cracks will close-up (not disappear), when dry the wood contracts and the cracks will open-up.

Whilst this can sometimes seem alarming, the round timber frames are designed and dimensioned to ensure these natural characteristics do not have an impact upon the structural integrity of the frame. All our wooden play frames are rigorously tested by an independent test house and fully comply with the relevant toy safety regulations.

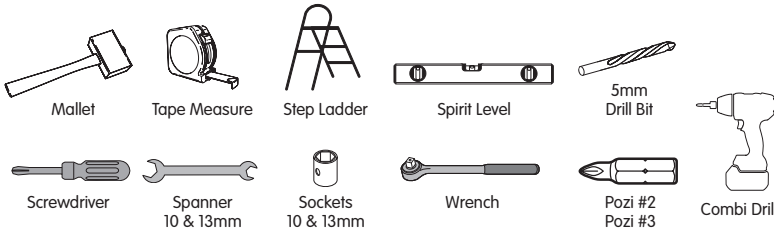
Because of the natural characteristics of such wood products, it is vital that parents check their play frame regularly to identify any splintering or lifting of the surface layers of the wood or any exposure of rough wood due to changes in cracks and splits. Affected areas must be rubbed down using coarse sandpaper to restore a smooth, safe surface.

Very occasionally these characteristics can develop to a point where replacing the pole may be required. Most commonly this is confined to where a significant crack runs directly through a fixing point.

Concerns regarding splits and cracks should be directed to directsales@tp toys.com

Your email should ideally be accompanied by photographs that illustrate your concern and enable the Quality Control Team to assist you.

Tools - You will need:



Also Required:



1

Single Wooden Swing Frame

LP x2

MW0200 2700mm x2



MW0189 900mm x1



STB

MW1500 x1



1

Double Wooden Swing Frame

LP x2

MW0200 2700mm x2



MW0189 900mm x1



DTB

MW2250 2250mm x1



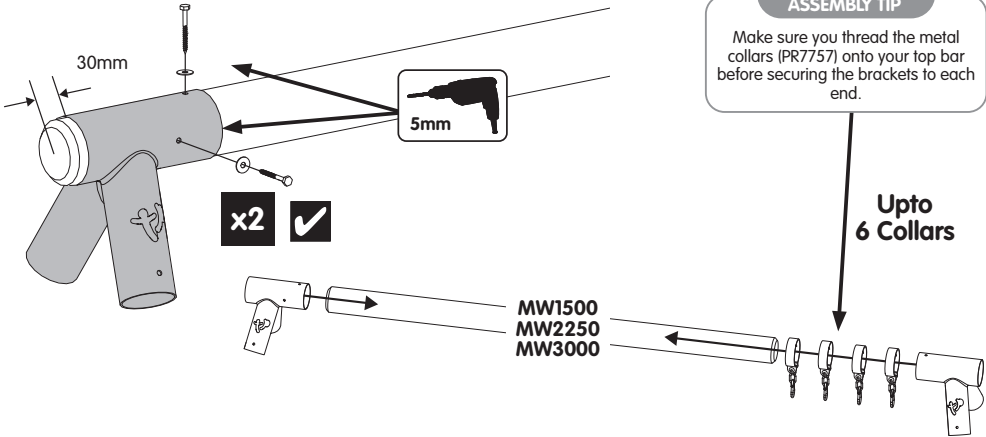
1**Triple Wooden Swing Frame / Double Wooden Swing Frame with Extension****LP x2**MW0200 2700mm **x2**MW0189 900mm **x1****TTB**MW3000 3000mm **x1****1****Single, Double, Triple and Double with Extension**

Please note: There may be some fixings left over after the assembly build.

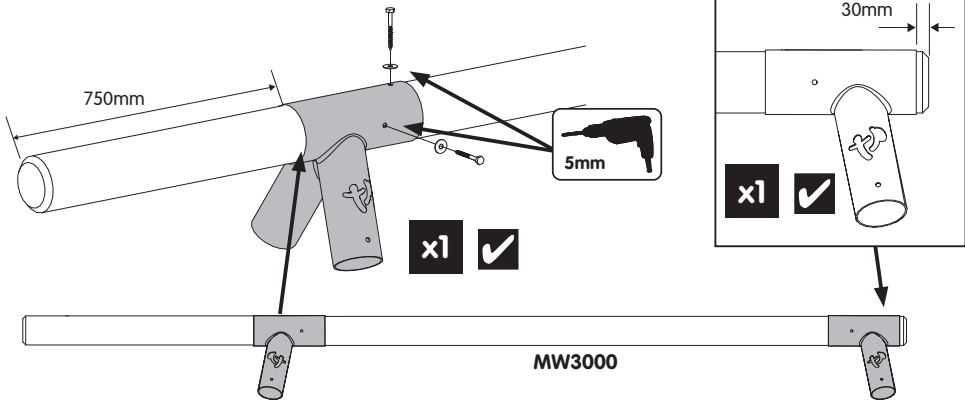
Fixings - SP007540mm FA8380
x64 x 16mm FA4527
x2M8 x25mm
FA8440
x16PM1968
x170mm FA8439
x16PM1007
x1FB6051
x2PR5069
x4PR7757
Single **x2**
Double **x4**
Triple **x6**
Double with Extension **x5**

2

Single, Double, Triple and Double with Extension



Double Wooden Swing Frame with Extension

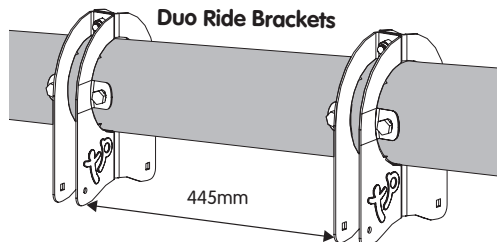


Swing Frame Configuration - Using Duo Ride Brackets



IMPORTANT ASSEMBLY TIP

When attaching a swing accessory that requires 2 Duo Ride Brackets (TP784 or PR5070), fixing locations for these brackets will be the same as the Swing seat positions using collars.

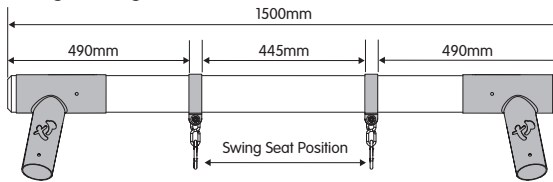


3

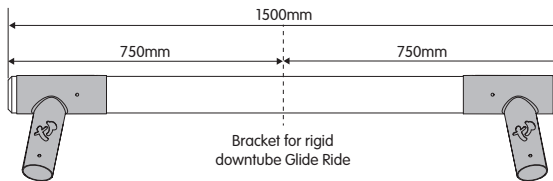
Single Wooden Swing Frame - Seat Configuration



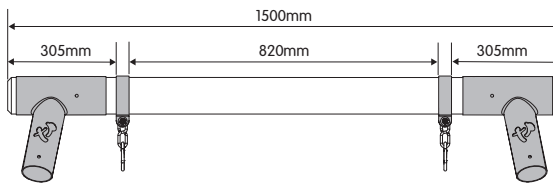
With 1 single swing seat



With 1 glide ride



With 1 Nest Swing (85cm)

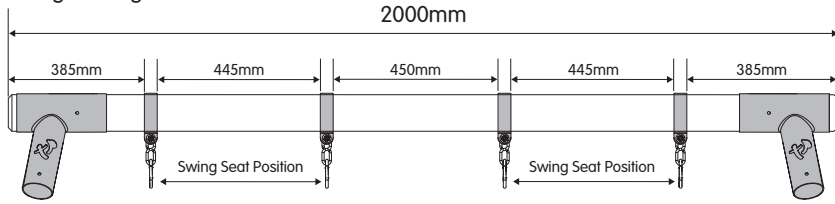


3

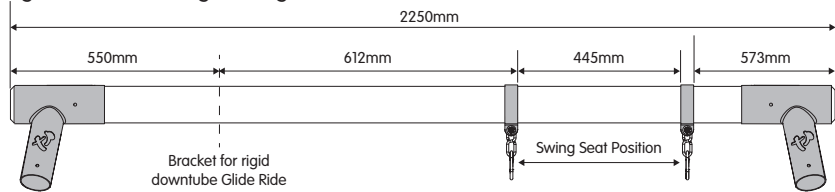
Double Wooden Swing Frame - Swing Configuration


 40mm
 FA8380
Double x4

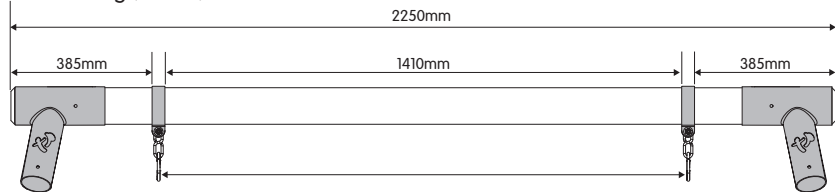
With 2 single swing seats



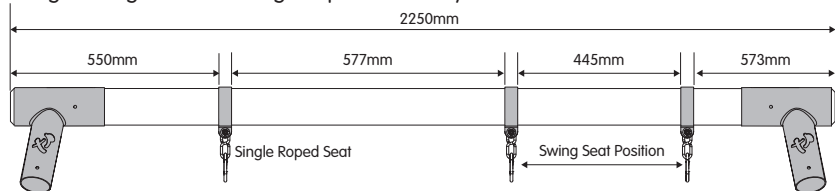
With 1 glide ride and 1 single swing seat



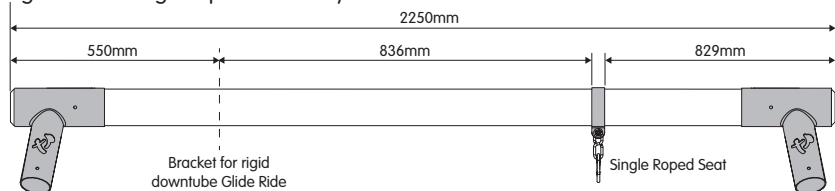
With 1 Nest Swing (120cm)



With 1 single swing seat and 1 single roped accessory



With 1 glide ride 1 single roped accessory

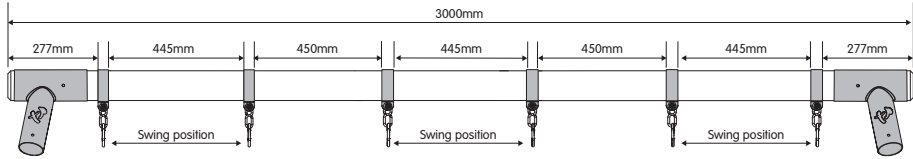


3

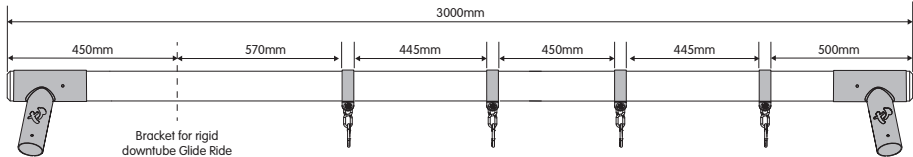
Triple Wooden Swing Frame - Swing Configuration



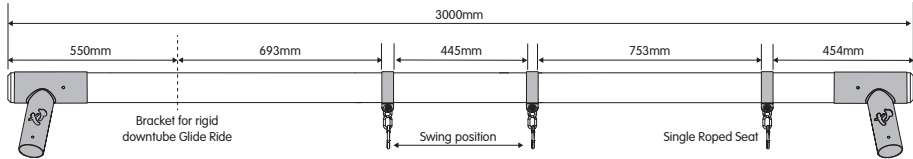
With three single swing seats



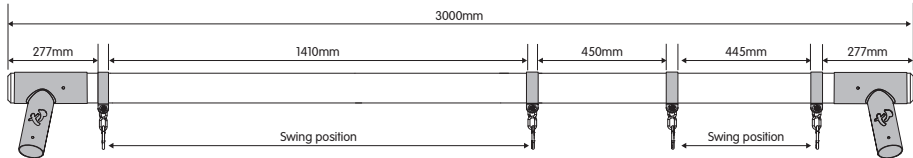
With 1 glide ride and two single swing seats



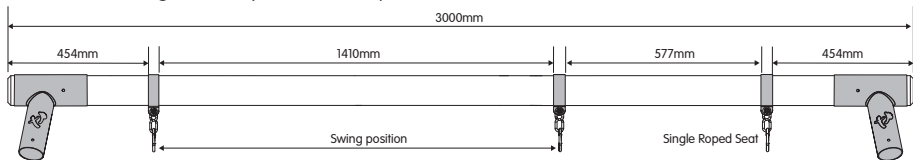
With 1 glide ride, 1 single swing and 1 single roped accessory



With 1 nest swing and 1 single swing seat

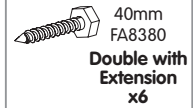


With 1 nest swing and 1 roped accessory

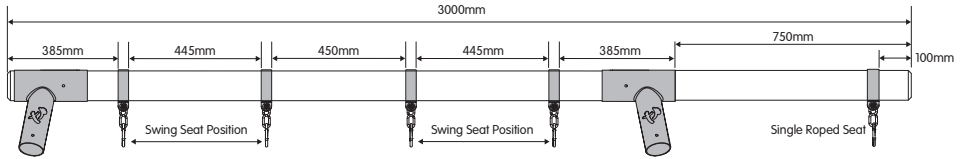


3

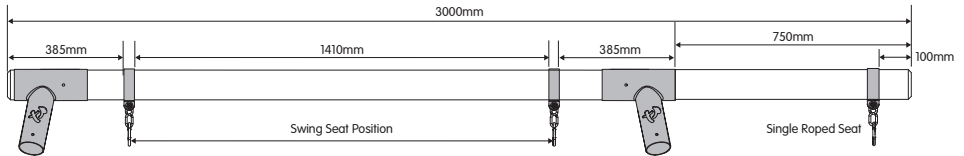
Double Wooden Swing Frame with Extension



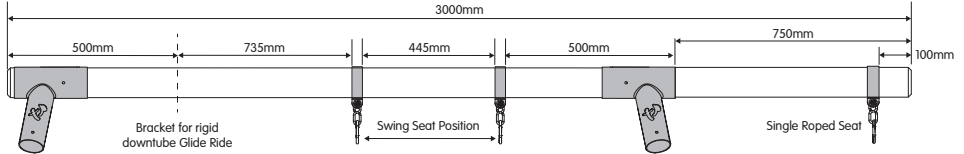
With 2 single swing seats and 1 single roped accessory



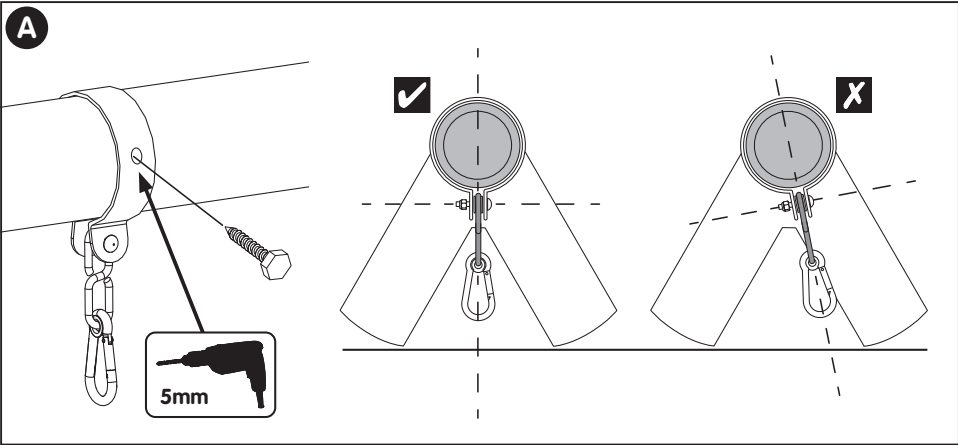
With 1 Nest swing seat and 1 single roped accessory



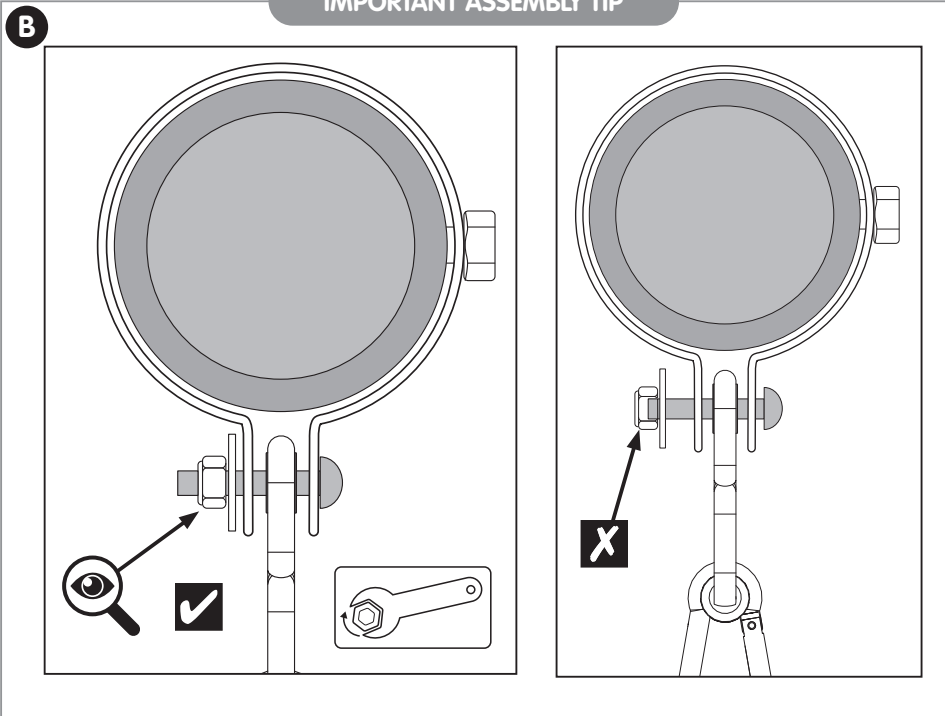
With 1 glide ride, 1 single swing seat and 1 single roped accessory



4



IMPORTANT ASSEMBLY TIP



5

Single, Double, Triple and Double with Extension

MW0200 2700mm x2

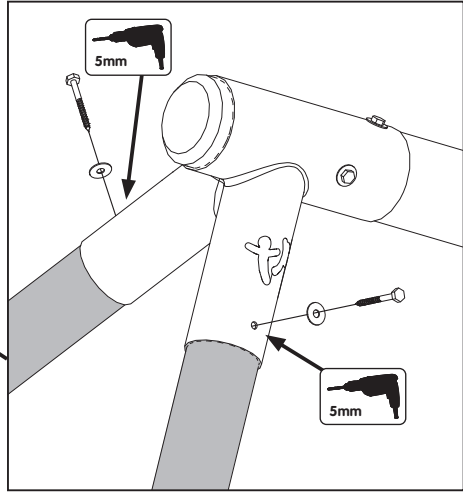
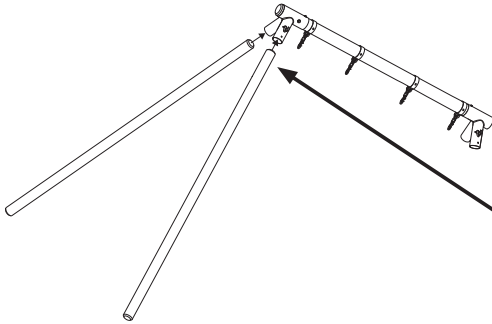


70mm FA8439
x2

M8 x25mm
FA8440
x2

ASSEMBLY TIP

Generic view of Top Bar only.
Actual Top Bar will vary
depending on product purchased.



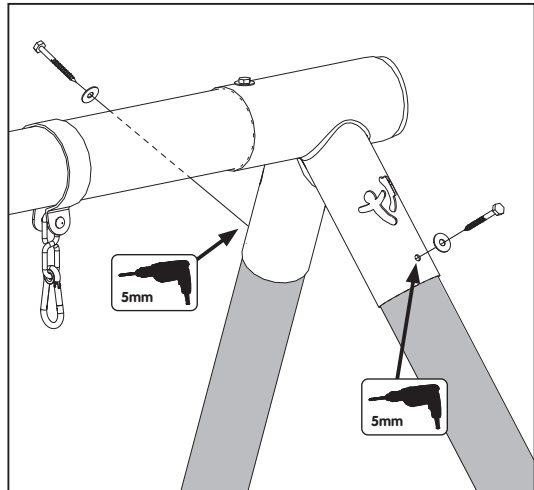
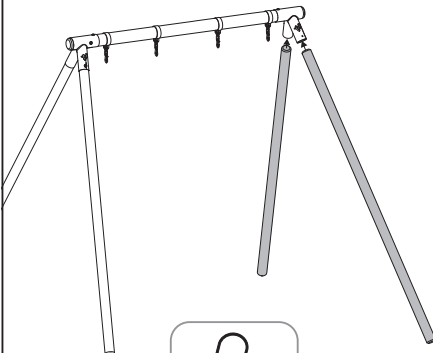
6

MW0200 2700mm x2



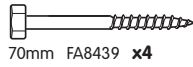
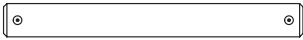
70mm FA8439
x2

M8 x25mm
FA8440
x2



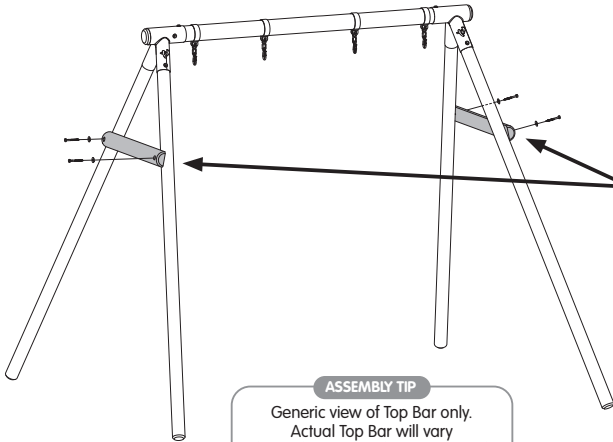
7

MW0189 900mm x2

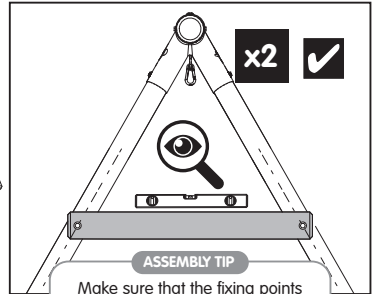
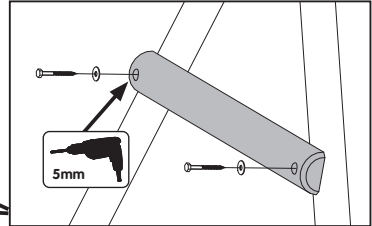


70mm FA8439 x4

M8 x25mm FA8440 x4



ASSEMBLY TIP
Generic view of Top Bar only.
Actual Top Bar will vary
depending on product purchased.



ASSEMBLY TIP
Make sure that the fixing points
are centred on the legs.

8

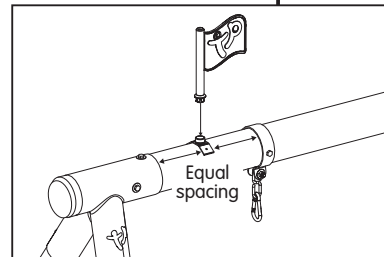
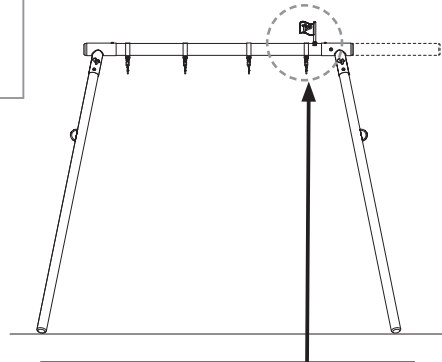
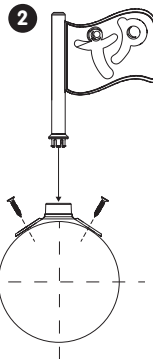
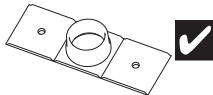
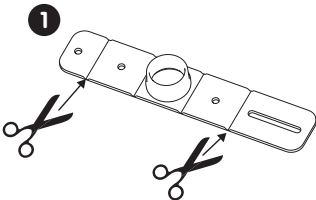
PM1968 x1



PM1007 x1



4 x 16mm x2
FA4527

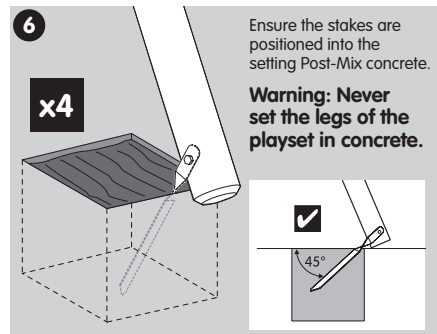
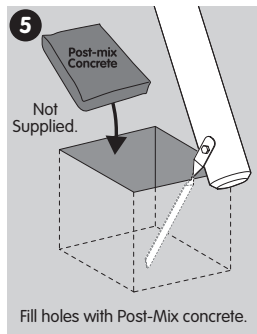
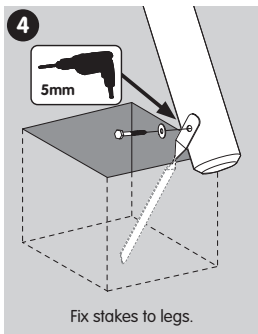
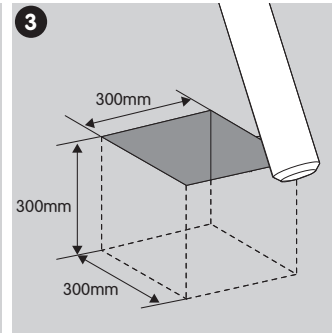
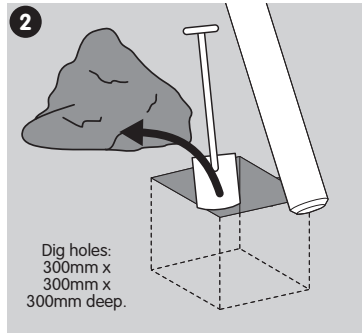
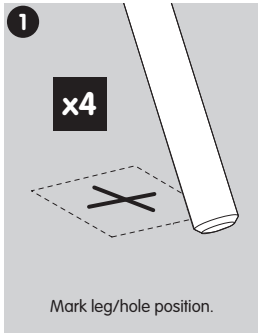
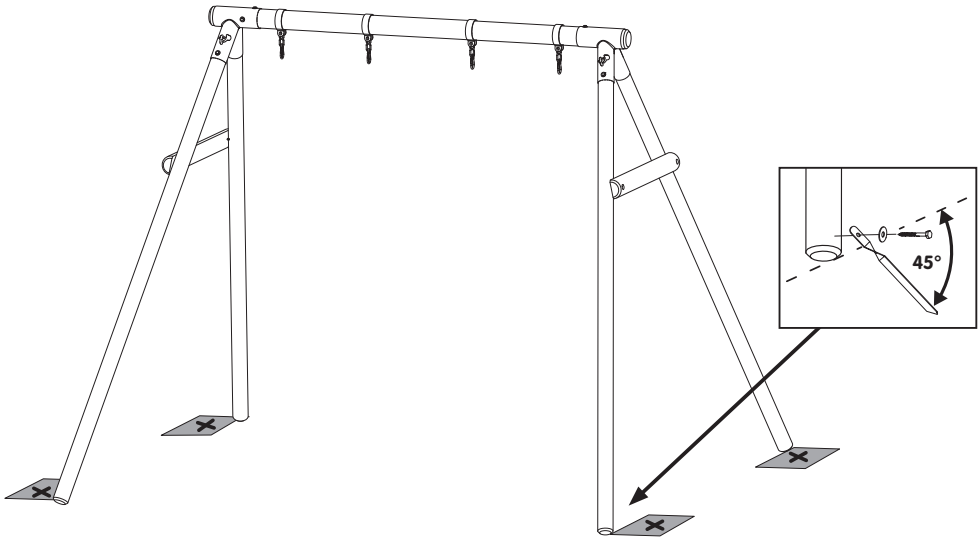


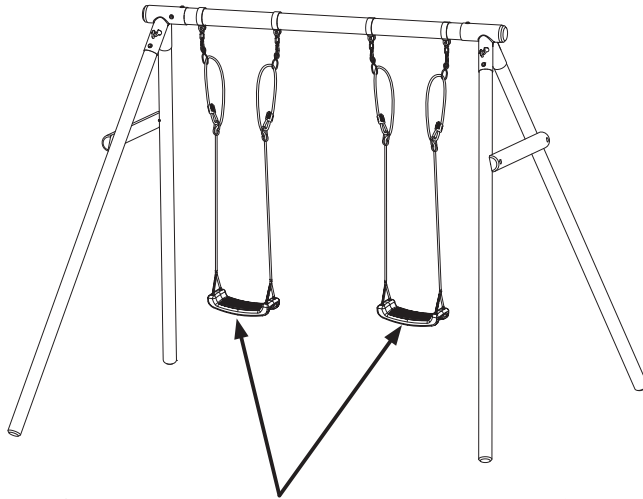
9

70mm FA8439
x4

PR5069
x4

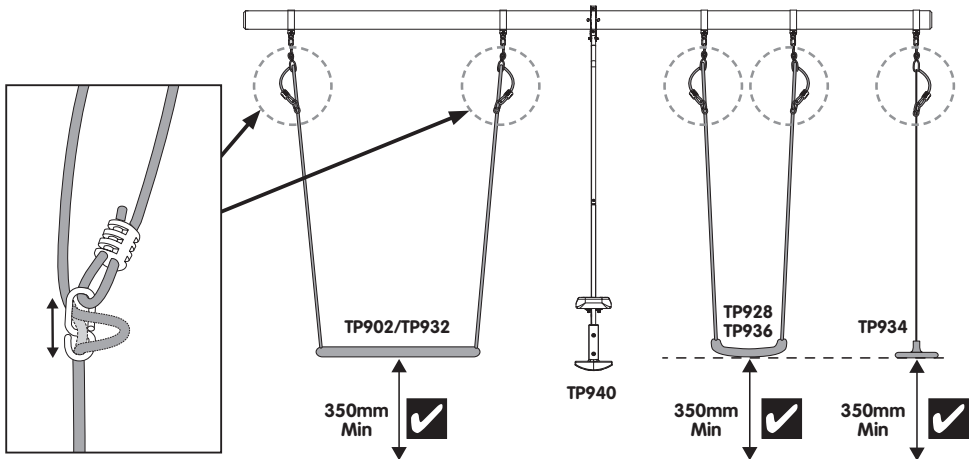
M8 x25mm
FA8440
x4





Please refer to product instruction manuals supplied with swing accessories for assembly.

IMPORTANT - Swing Accessories - Height adjustment





Thank you

Thank you for purchasing this product.

Please register your new product on line at tptoys.com

www.tptoys.com/customer/productregistration

Find out about the guarantee for this product,

visit **www.tptoys.com/customer/pages/guaranteeinformation**

For customer services and help with your product,

visit **www.tptoys.com/customer/help**

Your TP Guarantee Number/Product Batch No is