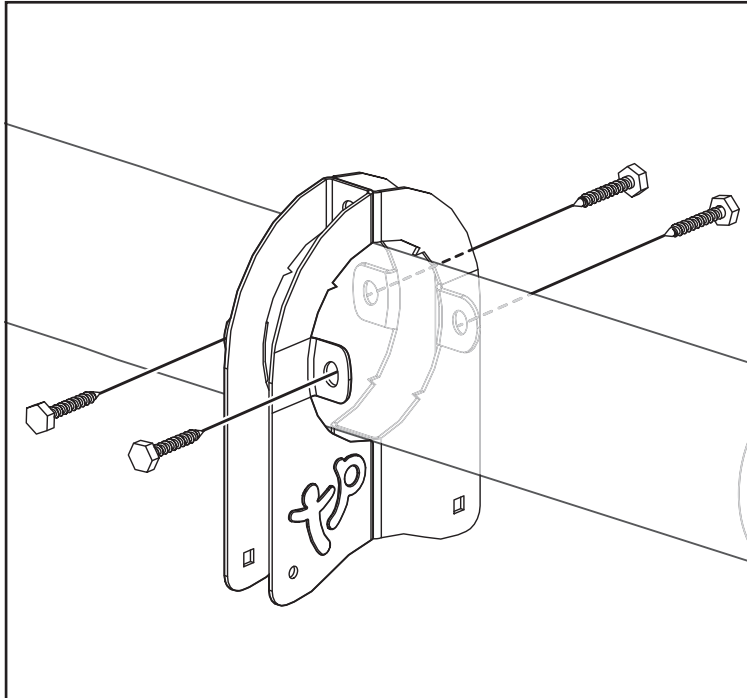


TP784 DuoRide Bracket



Instructions for assembly, maintenance and safe use.
Please retain for future reference.



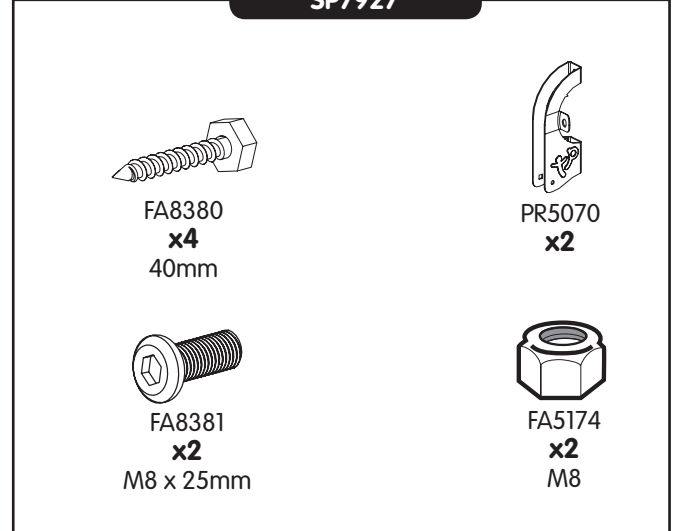
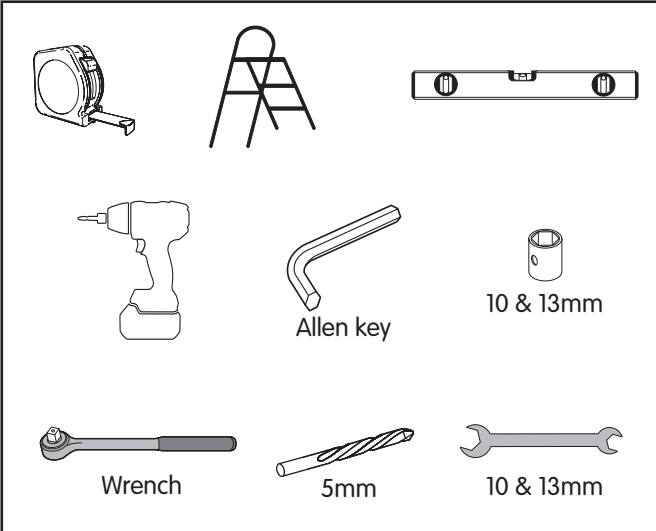
WARNING!

THIS PRODUCT IS NOT SUITABLE FOR CHILDREN UNDER 36 MONTHS. CONTAINS SMALL PARTS. CHOKING HAZARD.
ONLY FOR DOMESTIC USE. FOR OUTDOOR USE.
TOY MUST BE ASSEMBLED BY AN ADULT BEFORE USE.
ADULT SUPERVISION IS REQUIRED
CHILDREN MUST NOT USE THE EQUIPMENT UNTIL PROPERLY INSTALLED.
REMOVE ALL PACKAGING BEFORE GIVING TO YOUR CHILDREN.
THIS PRODUCT IS INTENDED FOR USE BY CHILDREN FROM AGES 3 TO 12 YEARS.
MAXIMUM COMBINED USER WEIGHT FOR SWING FRAME 200KGS
SINGLE SEAT USER WEIGHT - 60KGS GLIDE RIDE USER WEIGHT - 35KGS PER SEAT
ANCHORS THAT ARE SUPPLIED WITH THIS PRODUCT MUST BE FITTED BEFORE USE.

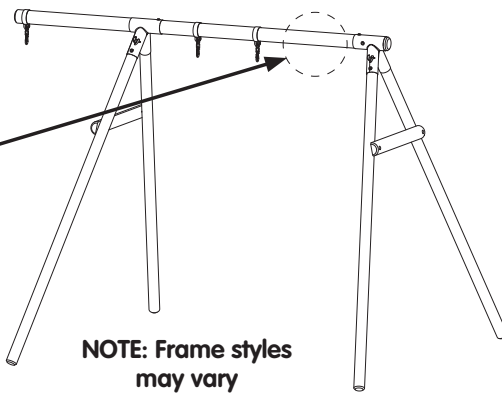
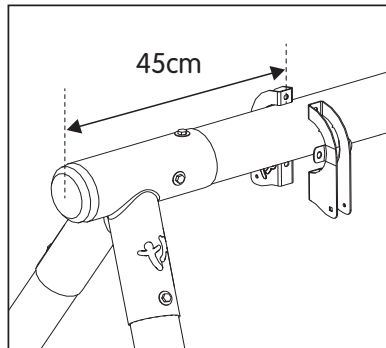
Important advice for assembly, maintenance and safe use

1. Toys must be assembled by an adult before use exactly in accordance with the instructions.
2. Check all parts are present before you start to assemble the product.
3. Place small parts on a tray or similar, to ensure they are not lost.
4. If any parts are missing do not use the product until the replacement parts are fitted.
5. Remove all packaging before giving to your children or allowing them to play with this product.
6. Ensure your product is sited on level ground. Failure to do this may put additional stress on connections and joints and in time could cause them to fail.
7. Ensure your product is located on a soft impact surface like grass. Never locate your product on hard surfaces like concrete or asphalt.
8. Children must not use this product until properly installed.
9. Adult supervision is required at all times to ensure children play safely. Ensure children's clothing is appropriate for the play activity.
10. Equipment should be checked by an adult at the beginning of each season and at regular intervals during the usage season to ensure it is safe.
11. Pay special attention to all connections and fastenings.
12. Parts may need to be replaced if they show signs of wear and tear. Replace any defective parts in accordance with these instructions.
13. Any changes to this toy, e.g. changing or adding an accessory, must be done in accordance with our instructions. Failure to do this will render your guarantee null and void and may make your product unsafe.
14. The age recommendation for this product is clearly stated on the packaging and these instructions. Please adhere to it at all times.
15. When you dispose of this equipment please do so responsibly.

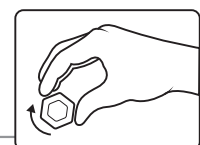
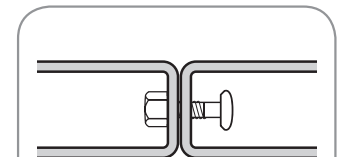
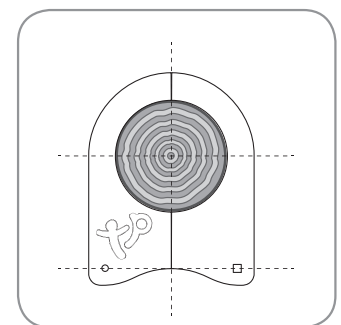
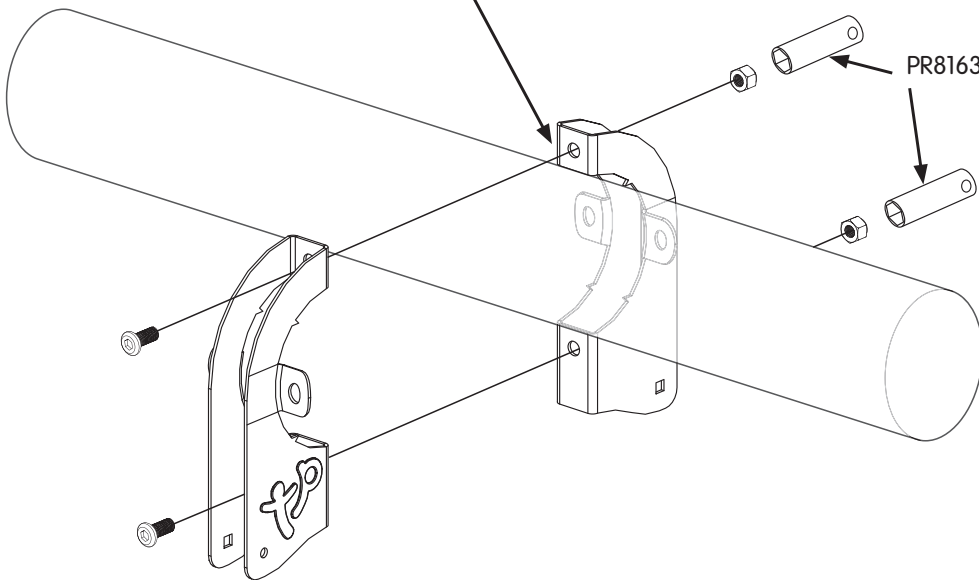
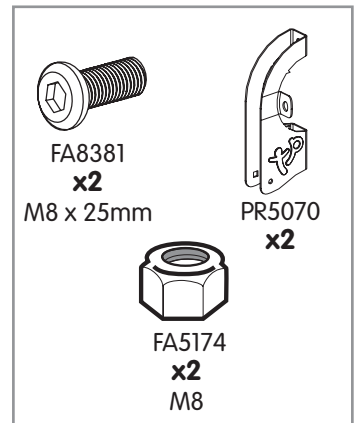
SP7927



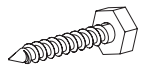
1



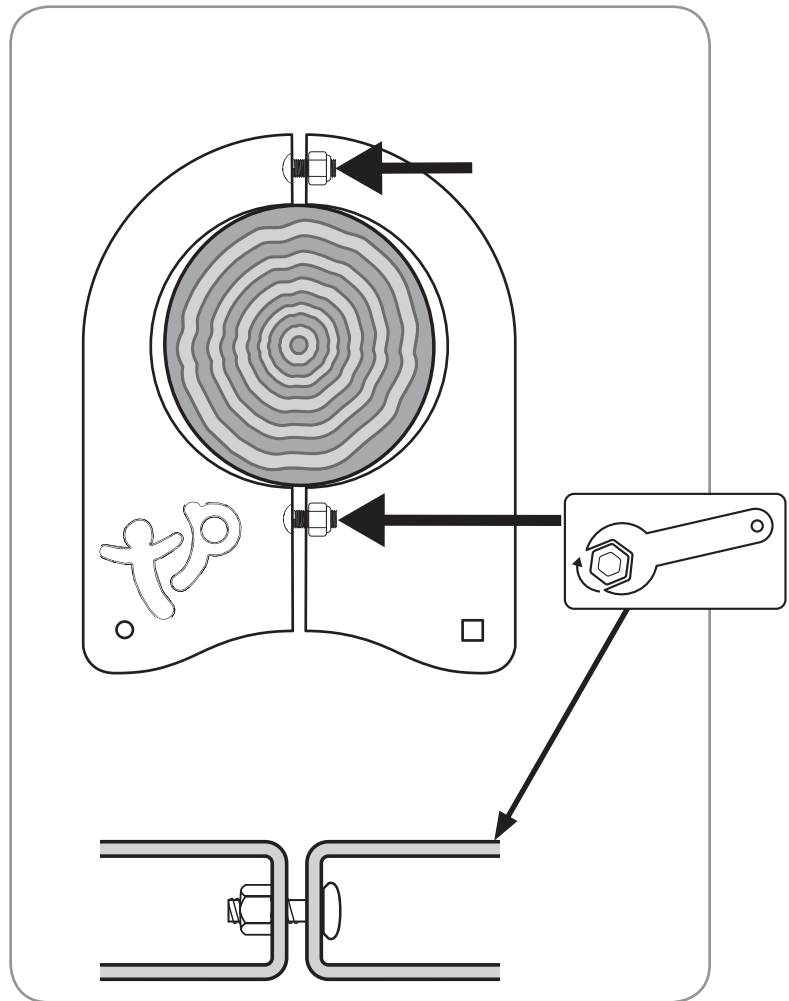
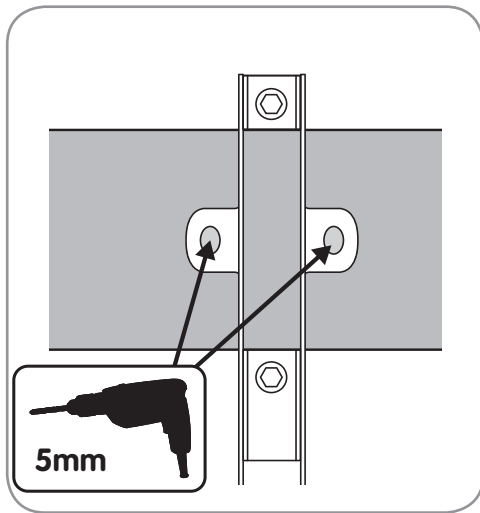
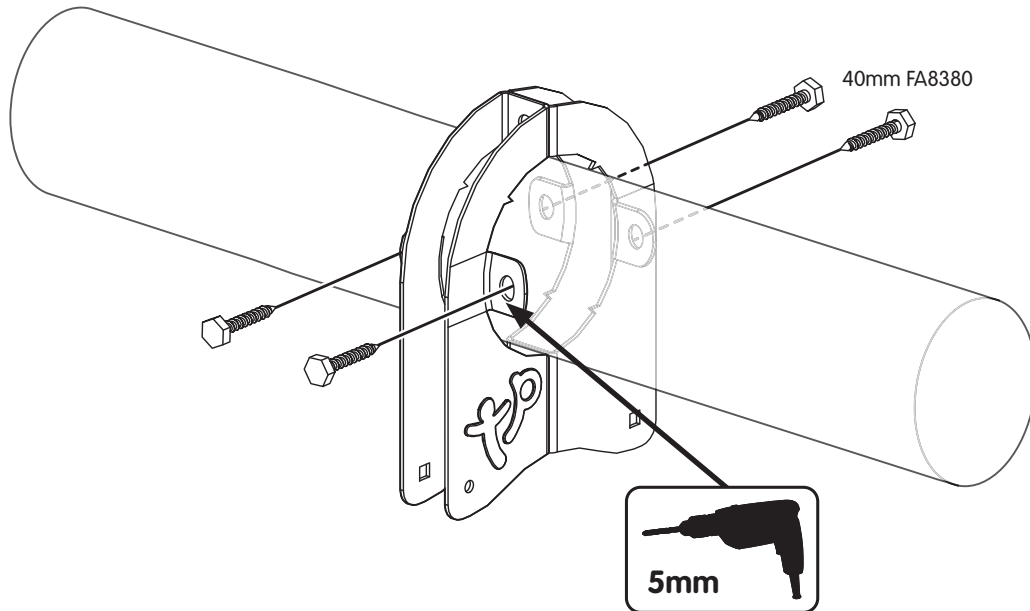
NOTE: Frame styles may vary



2



FA8380
x4
40mm



3



Thank you

Thank you for purchasing this product.

Please register your new product on line at tptoys.com

visit www.tptoys.com/productregistration

Find out about the guarantee for this product,

visit www.tptoys.com/guarantee

For customer services and help with your product,

visit www.tptoys.com/customer/help

Your TP Guarantee Number/Product Batch No is