



## Instructions for assembly, maintenance and safe use.

We constantly strive to improve our assembly instructions. To see the most current version of this instruction for assembly, maintenance and safe use. Please visit the product page at [tptoys.com](http://tptoys.com)

# 4in1

TP710 Dino Discovery  
TP711 Unicorn Magic



This is a trike, **NOT** a stroller



## WARNINGS!

- THIS PRODUCT IS INTENDED FOR USE BY CHILDREN AGED 10+ MONTHS.
- UPON OPENING, THIS PRODUCT CONTAINS SMALL PARTS WHICH ARE A CHOKING HAZARD. IT IS NOT SUITABLE FOR CHILDREN UNDER 36 MONTHS UNTIL FULLY ASSEMBLED BY AN ADULT.
- CHILDREN MUST NOT USE THIS PRODUCT UNTIL PROPERLY ASSEMBLED.
- TOY MUST BE ASSEMBLED BY AN ADULT BEFORE USE.
- ADULT SUPERVISION REQUIRED AT ALL TIMES.
- REMOVE ALL PACKAGING BEFORE GIVING TO YOUR CHILDREN.
- RETAIN PACKAGING FOR FUTURE REFERENCE.
- PLEASE READ AND RETAIN THIS BOOKLET.
- THIS TOY HAS NO BRAKES.
- THIS TOY MUST NOT BE USED IN TRAFFIC.
- CONTENTS, SPECIFICATIONS AND COLOUR MAY VARY FROM IMAGES.



x1 Person build



1hr Build time

Robovision Ltd t/a TP Toys

Unit 11, Enterprise Way, Flitwick, Bedfordshire, MK45 5BX England

[tptoys.com](http://tptoys.com)



## WARNINGS!

EN

- THIS PRODUCT IS INTENDED FOR USE BY CHILDREN AGED 10+ MONTHS.
- UPON OPENING, THIS PRODUCT CONTAINS SMALL PARTS WHICH ARE A CHOKING HAZARD. IT IS NOT SUITABLE FOR CHILDREN UNDER 36 MONTHS UNTIL FULLY ASSEMBLED BY AN ADULT.
- CHILDREN MUST NOT USE THIS PRODUCT UNTIL PROPERLY ASSEMBLED.
- TOY MUST BE ASSEMBLED BY AN ADULT BEFORE USE.
- ADULT SUPERVISION REQUIRED AT ALL TIMES.
- REMOVE ALL PACKAGING BEFORE GIVING TO YOUR CHILDREN.
- RETAIN PACKAGING FOR FUTURE REFERENCE.
- PLEASE READ AND RETAIN THIS BOOKLET.
- THIS TOY HAS NO BRAKES.
- THIS TOY MUST NOT BE USED IN TRAFFIC.
- CONTENTS, SPECIFICATIONS AND COLOUR MAY VARY FROM IMAGES.

In addition to the above warnings - important instructions for assembly, maintenance and safe use of the Toy Trike (product).

### Before Use

1. Read and understand this instruction booklet before letting your child use the product.
2. The product batch number is on the product frame. Record the batch number on the back page.
3. This product is a toy. Instruct the child how to use it correctly and explain sources of potential danger.
4. Make sure parent handle is securely attached before use.
5. This product is for private use only. No commercial or public use.
6. Toy must be assembled by an adult before use exactly in accordance with the instructions.
7. Remove all packaging before giving to your children.
8. Children must not use this product until properly assembled in accordance with this manual.

### During Use

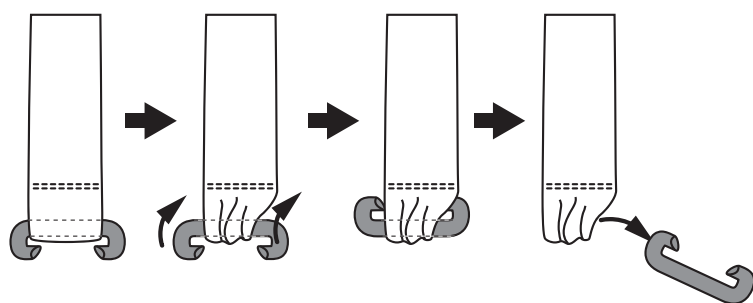
9. Maximum child weight: 23 kg (50lbs).
10. The age recommendation for this product is clearly stated on the packaging and in these instructions. Please adhere to it at all times.
11. Direct adult supervision at ALL times. It may be dangerous to leave the child unattended.
12. Excessive weight on the parent or child handle may cause a hazardous or unstable condition.
13. Protective safety equipment (such as a helmet, knee pads and elbow pads) is recommended.
14. Ensure children's clothing is appropriate for the play activity.
15. Ensure children wear strong closed shoes while using the product.
16. Product should be used with caution since the product only has 3 wheels and skill is required to avoid falls or collisions which may cause injury to the user or others.
17. Never allow more than one rider.
18. This product should only be used on safe ground. It should not be used near steps, slopes, traffic, roadways, public highways,

swimming pools or wet areas.

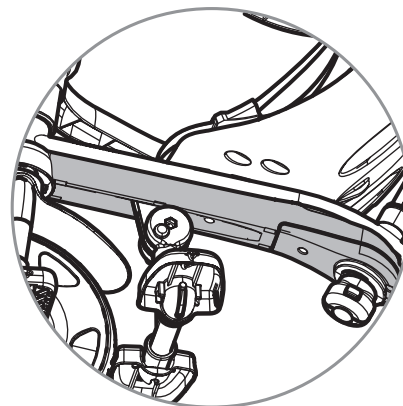
19. Safeguard the product against rolling away, and avoid using the product during strong winds.
20. Never place this product near a fire.
21. Never push the product in excess of walking pace.
22. Unpredicted situations may arise when children are at play for which the manufacturer cannot be held liable for damage or injury.

### Assembly and Maintenance Information

23. Check all parts are present before you start to assemble the product. Ensure your working area is free of danger. Place small parts on a tray or similar to ensure they are not lost.
24. The manufacturing process can very occasionally result in sharp edges/waste material so please take care when assembling this product.
25. Ensure that all components are out of the reach of children under 36 months until the product is fully assembled. A child playing with a plastic bag is exposed to the risk of suffocation.
26. Take caution when assembling the product. Tools can cause injury.
27. Regular safety checks should be carried out to ensure integrity of the assembly. Especially components that can potentially loosen or dislocate. Inspecting at regular intervals can prevent accidents.
28. Damaged components may endanger the safety of the child or shorten the lifespan of the product. Incorrect repairs or removal of other parts may be a source of danger to the user.
29. Changes to this toy (such as changing / adding an accessory) must be done in accordance with our instructions. Failure to do this will render your guarantee null and void and may make your product unsafe.
30. When you dispose of this product or packaging materials, please do so responsibly.
31. Never use corrosive or abrasive substances to clean the product. Never use substances which may pollute the environment.

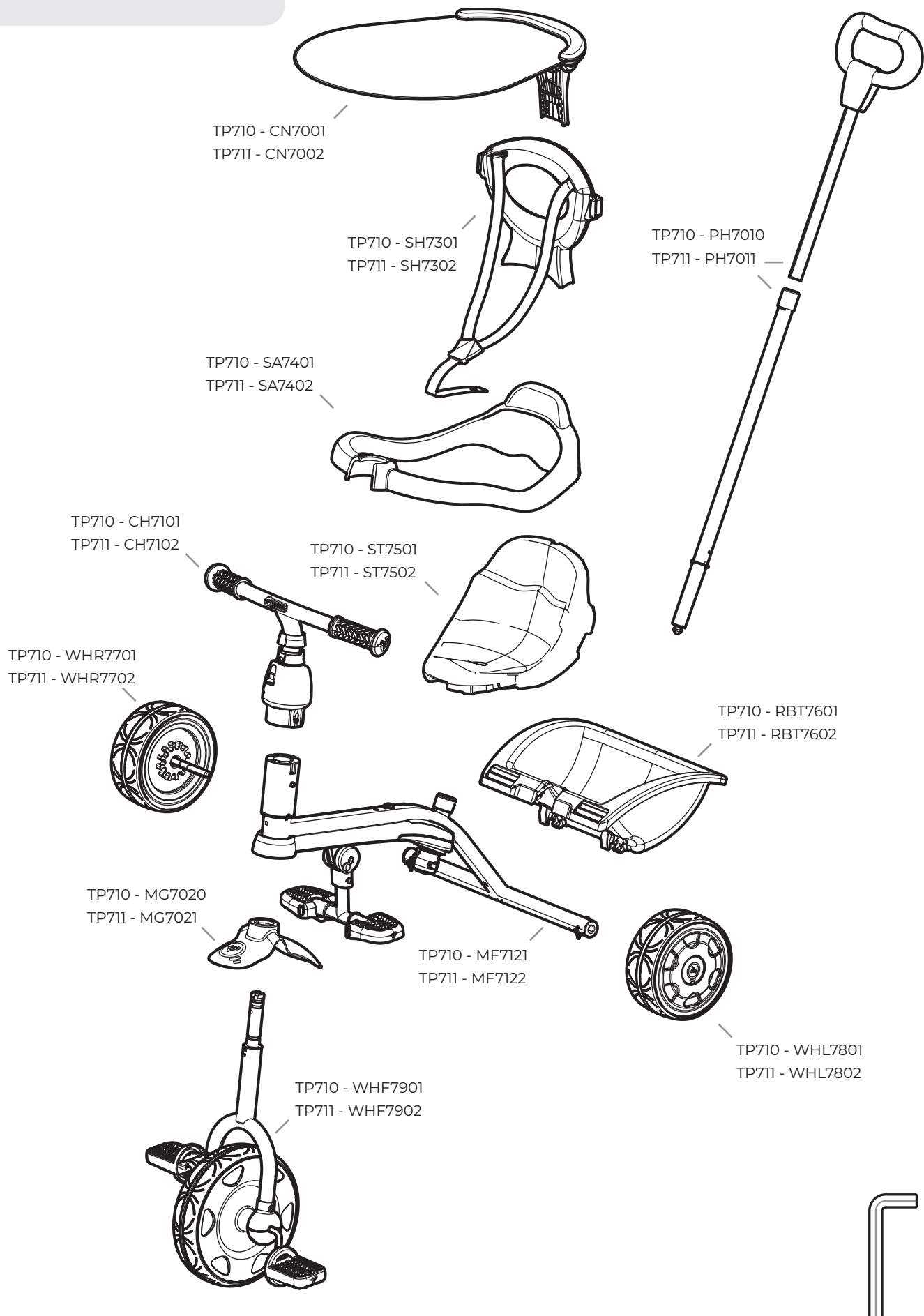


Harness must be assembled and removed by adult.

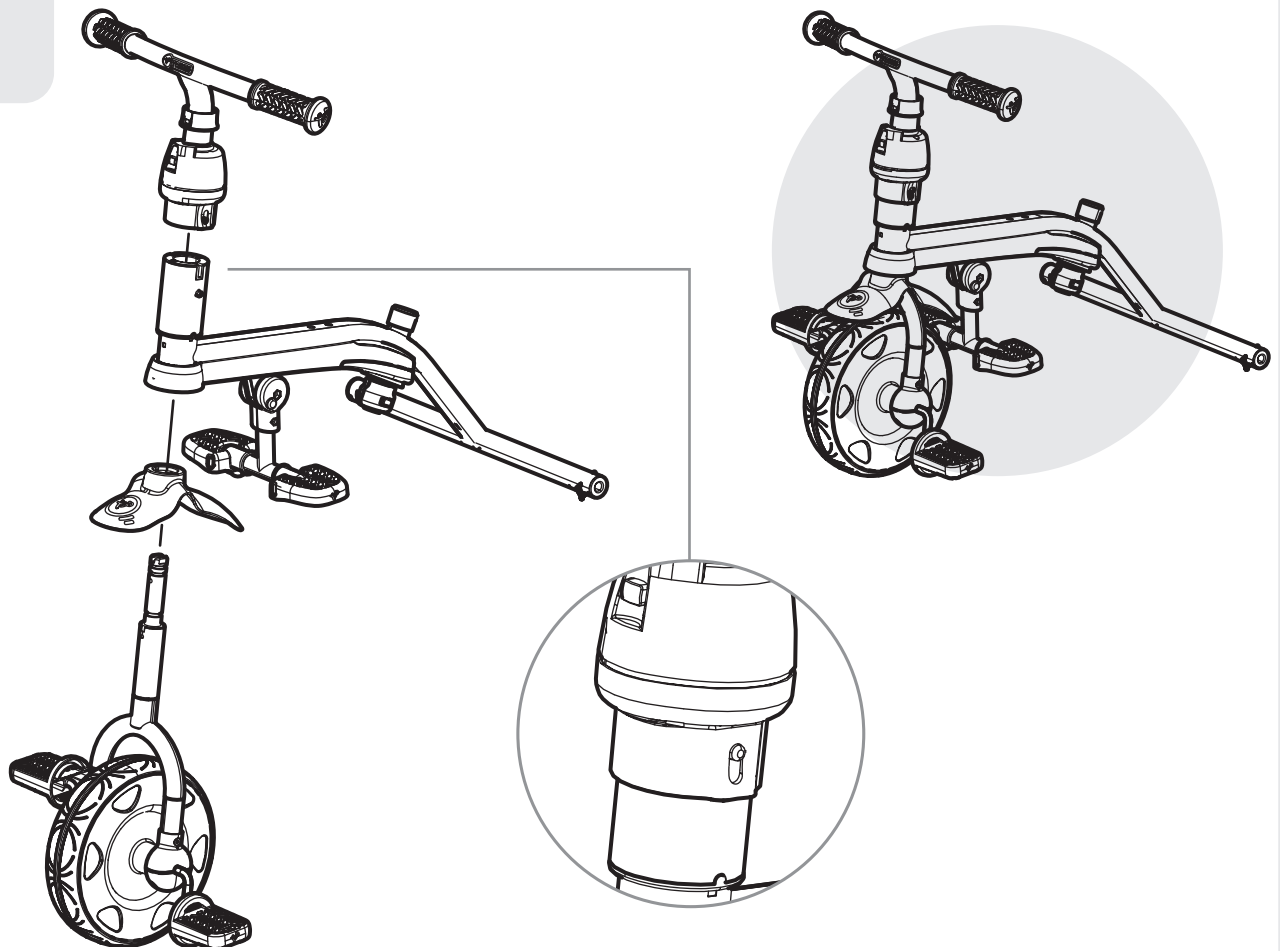


The product batch number is on the Trike frame.  
Record the batch number on the back page.

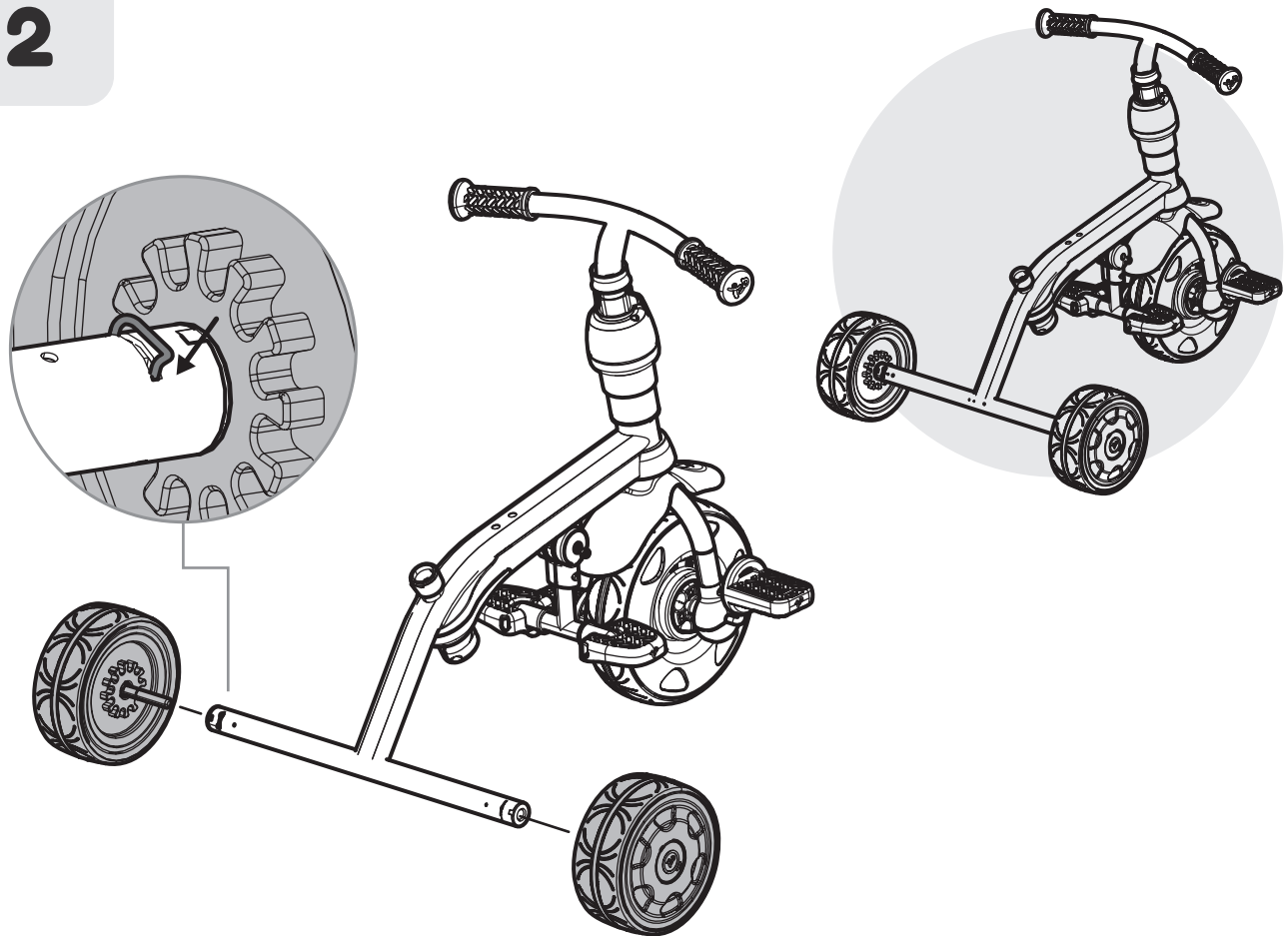
# Contents



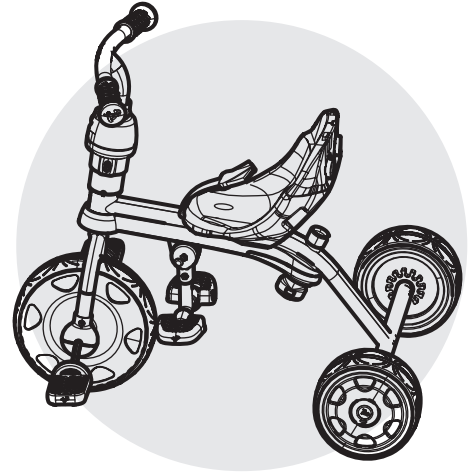
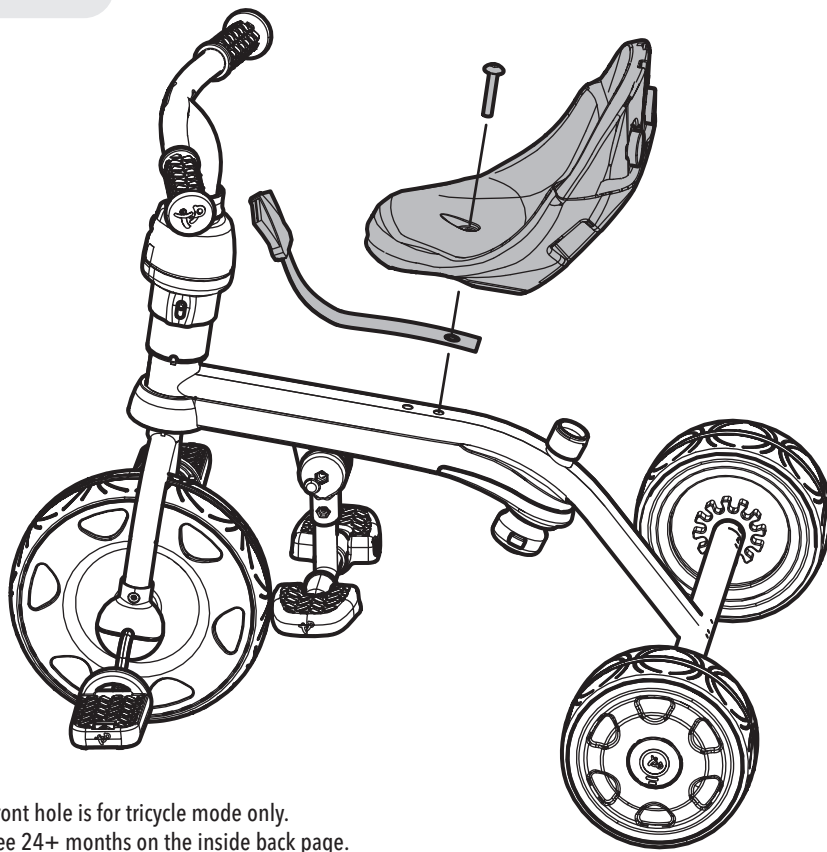
1



2



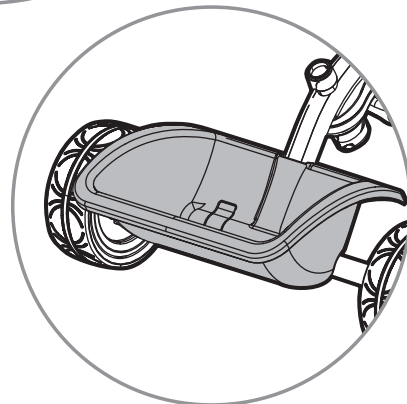
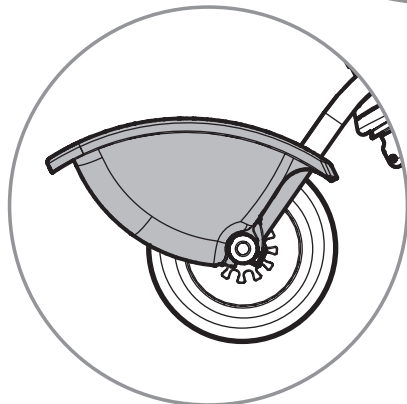
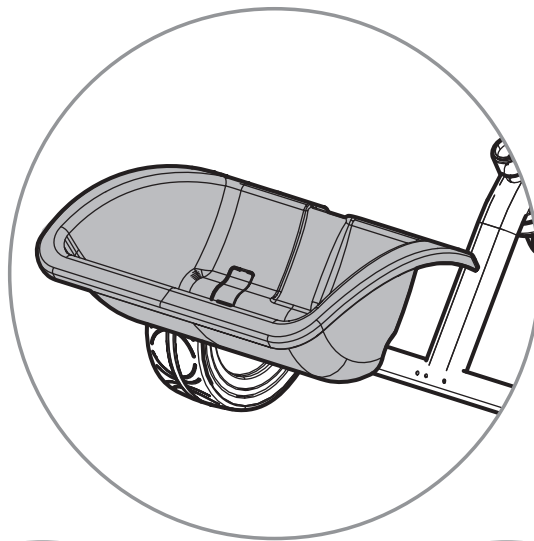
3



Front hole is for tricycle mode only.  
See 24+ months on the inside back page.

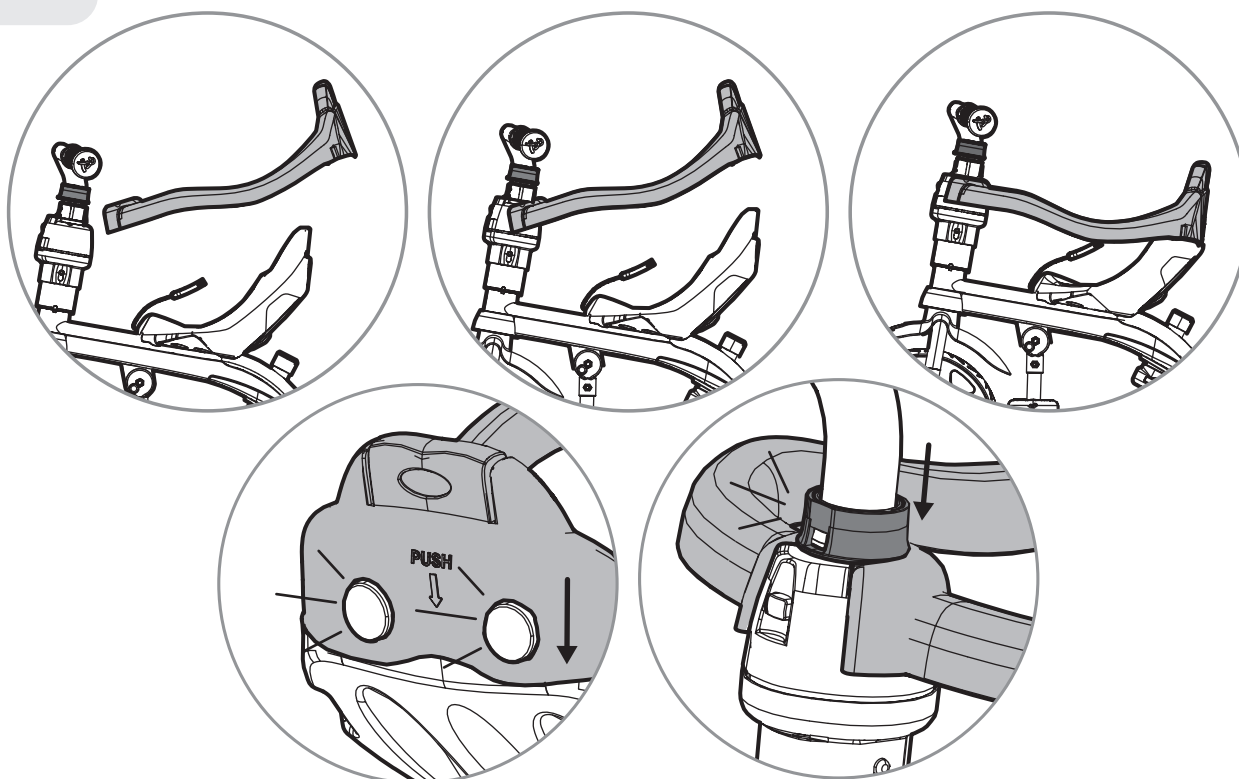


4

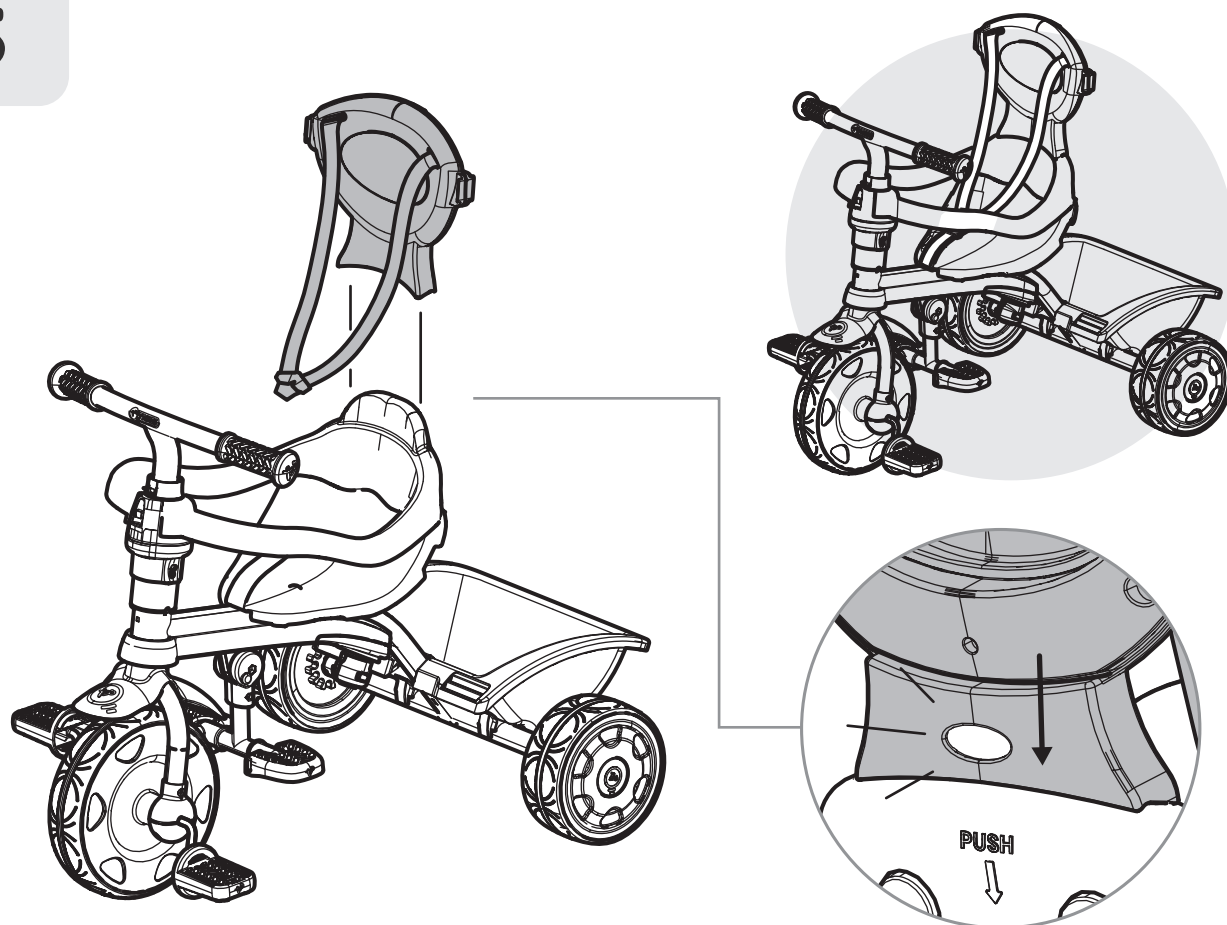




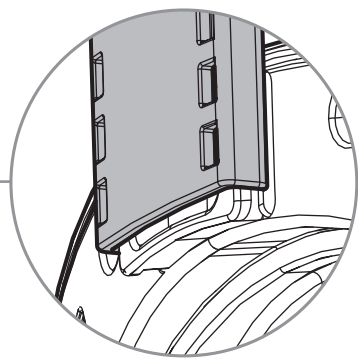
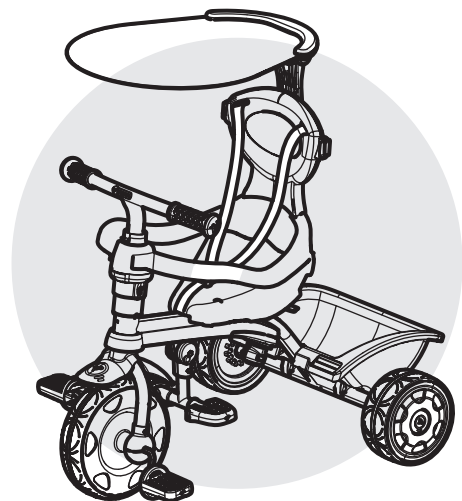
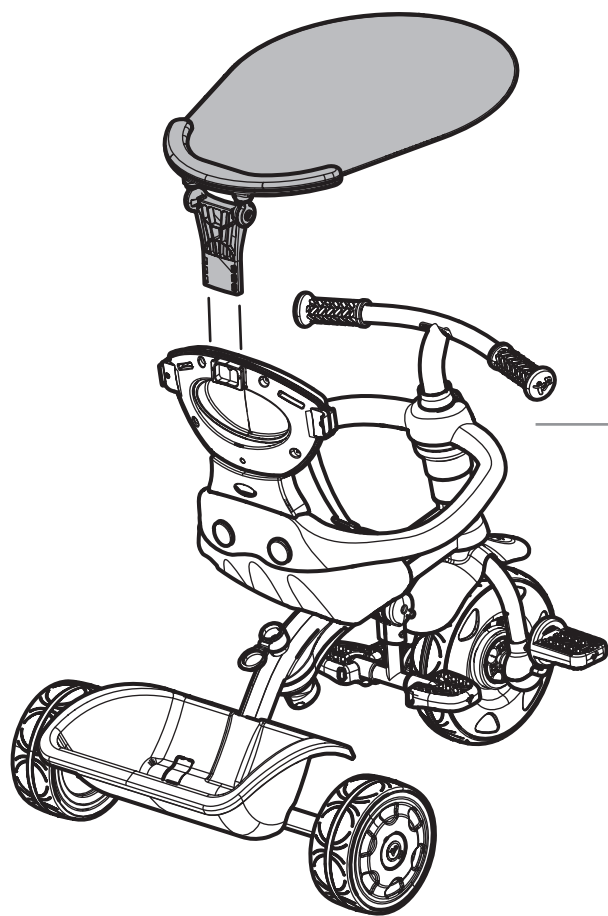
5



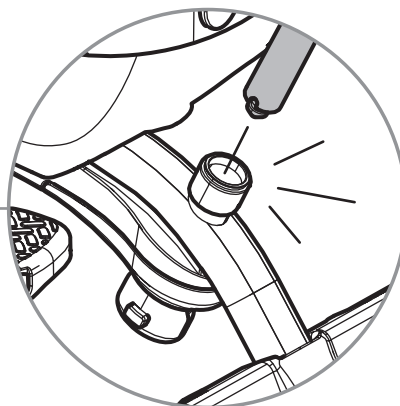
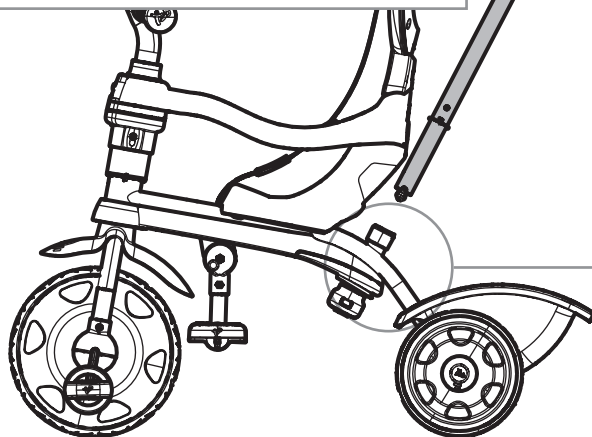
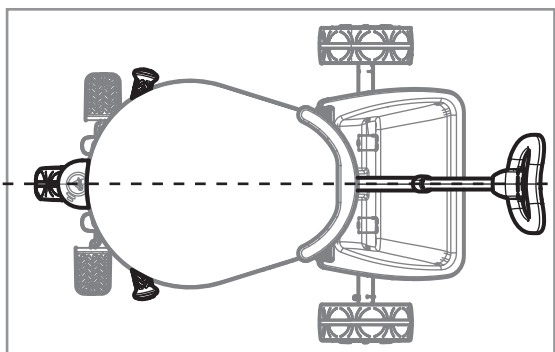
6



7

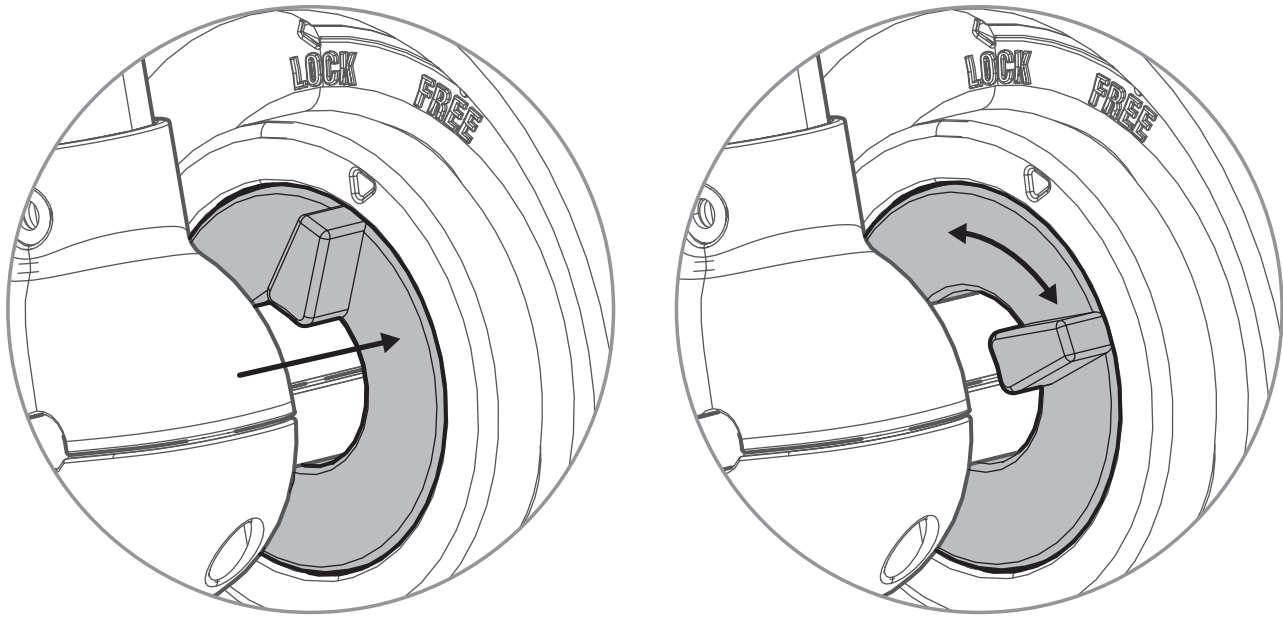


8

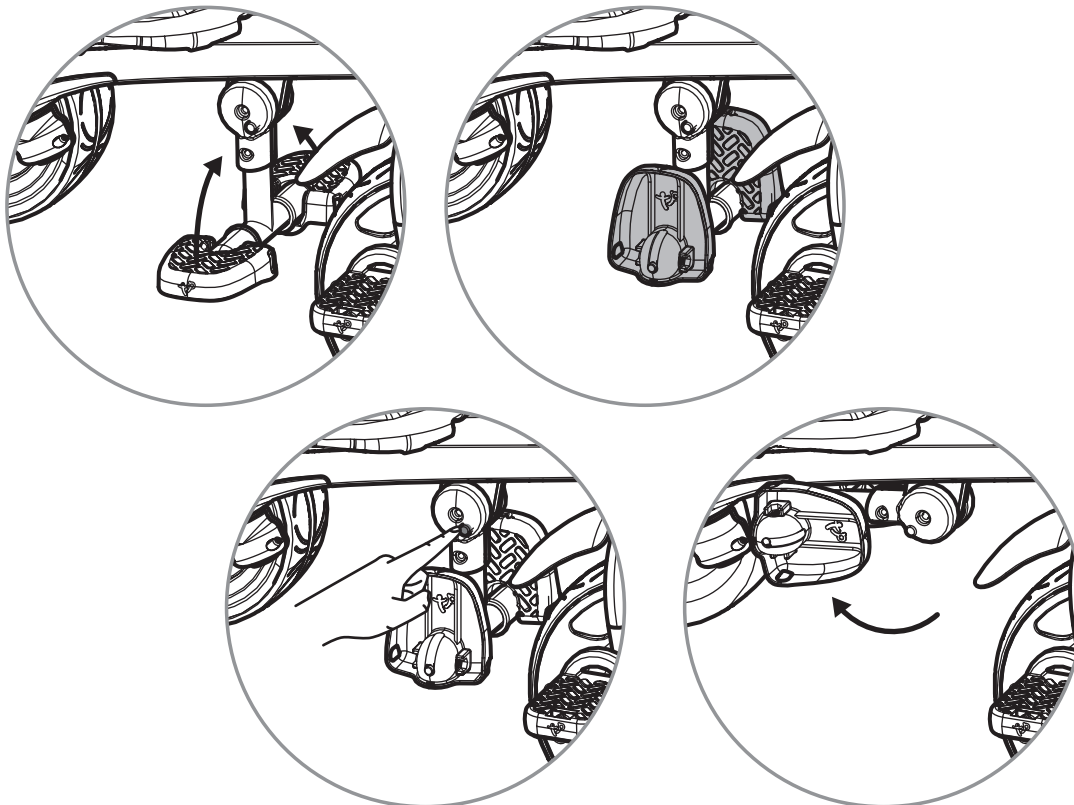


CLICK!

# Pedal On/Off Feature

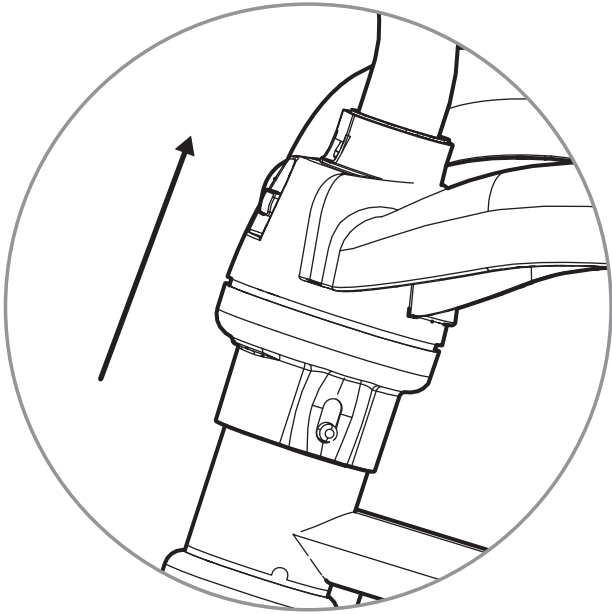
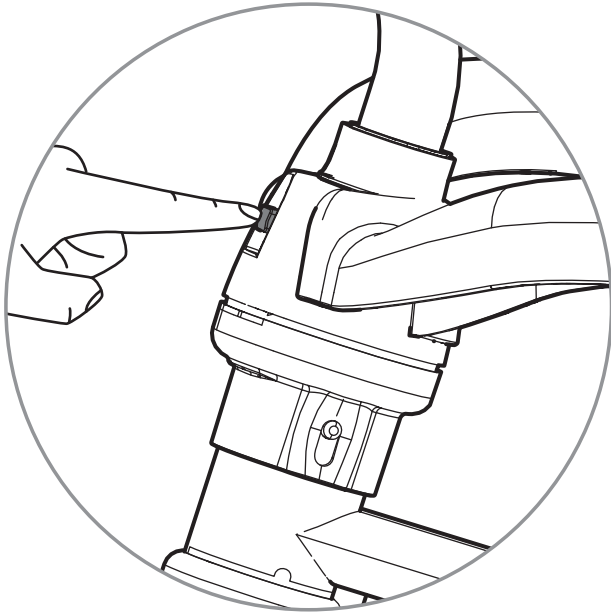


# Foot Rest Feature

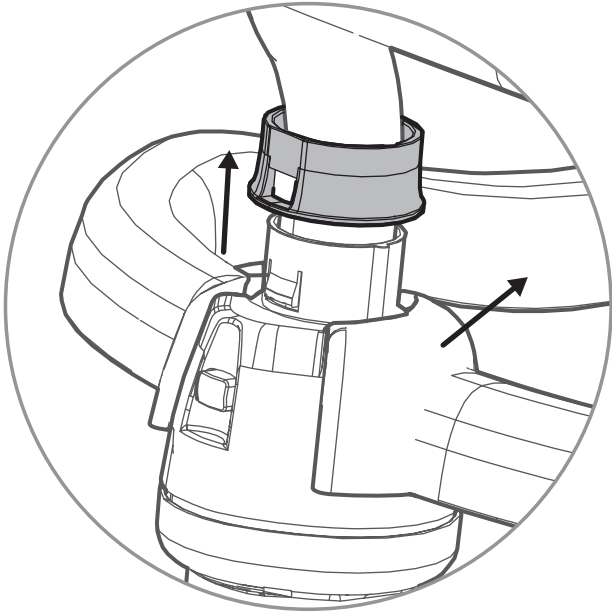
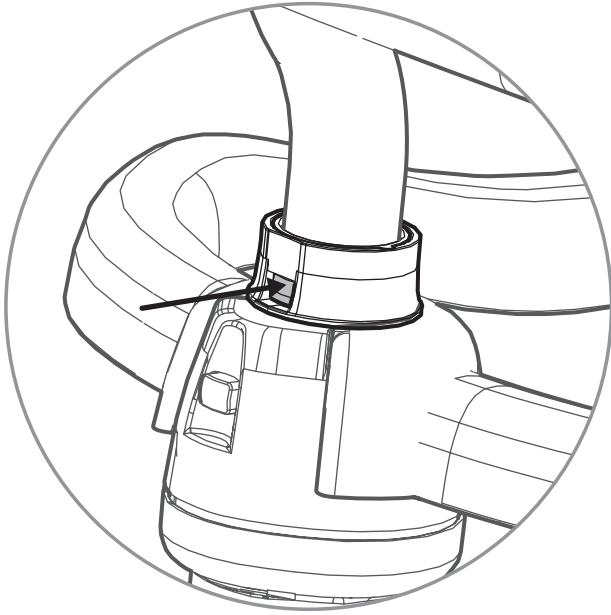




# Steering On/Off Feature



# Safety Barrier On/Off Feature





## 10 months+

Learn - parents can steer the trike with the steering and pedals disengaged so the child learns about the Trike while being unable to move or steer the trike.



## 18 months+

Steer - engage the handles so the toddler can now steer while the parent still has control using the parent push handle.



## 24 months+

Pedal - engage the pedals and disengage the foot rests so the toddler can now power the Trike independently.



## 30 months+

Ride - remove the parent handle to let the child pedal and steer on their own with parent supervision.

*Ages specified are for guidance only - dependant on your child's personal development*





# Thank you!

Thank you for purchasing this product.

Please register your new product on line at [tptoys.com](http://tptoys.com)

[www.tptoys.com/customer/productregistration](http://www.tptoys.com/customer/productregistration)

Find out about the guarantee for this product,

visit [www.tptoys.com/customer/pages/guaranteeinformation](http://www.tptoys.com/customer/pages/guaranteeinformation)

For customer services and help with your product,

visit [www.tptoys.com/customer/help](http://www.tptoys.com/customer/help)



Please write your TP guarantee number/product batch number (found on Trike) here: