

# TP368P

TP Forest Toddler Wooden Climbing Frame & Slide

# TP369P

TP Forest Toddler Wooden Swing Set & Slide

Instructions for assembly, maintenance and safe use.

We constantly strive to improve our assembly instructions. To see the most current version of this instruction for assembly, maintenance and safe use. Please visit the product page at [tptoys.com](http://tptoys.com)



**TP368P TP Forest Toddler Wooden Climbing Frame & Slide**



**TP369P TP Forest Toddler Wooden Swing Set & Slide**

Sand not included

## WARNINGS!

THIS PRODUCT CONTAINS SMALL PARTS AND IS NOT SUITABLE FOR CHILDREN UNDER 36 MONTHS UNTIL FULLY ASSEMBLED.

ONLY FOR DOMESTIC USE. FOR OUTDOOR USE.

ADULT SUPERVISION IS REQUIRED. TOY MUST BE ASSEMBLED BY AN ADULT BEFORE USE.

CHILDREN MUST NOT USE THE EQUIPMENT UNTIL PROPERLY INSTALLED.

REMOVE ALL PACKAGING BEFORE GIVING TO YOUR CHILDREN.

RETAIN PACKAGING FOR FUTURE REFERENCE.

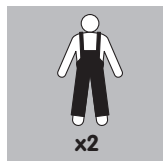
**WARNING:** THIS PRODUCT IS INTENDED FOR USE BY CHILDREN FROM AGES 18 MONTHS+.

**WARNING:** MAXIMUM COMBINED USER WEIGHT 100KGS ANCHORS THAT ARE SUPPLIED WITH THIS PRODUCT MUST BE FITTED BEFORE USE.

### **TP913X FoldAway Swing Seat**

**WARNING:** THIS PRODUCT IS INTENDED FOR USE BY CHILDREN FROM AGES 6 MONTHS TO 3 YEARS.

**WARNING:** MAXIMUM USER WEIGHT 45KGS



x2



Build Time



Robovision Ltd t/a TP Toys

Unit 11, Enterprise Way, Flitwick, Bedfordshire, MK45 5BX England

[www.tptoys.com](http://www.tptoys.com)

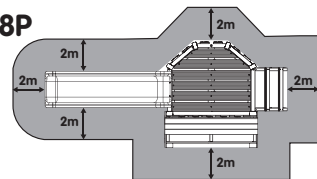
## Important advice for assembly, maintenance and safe use

1. Toy must be assembled by an adult before use exactly in accordance with the instructions.
2. Children must not use this product until properly installed.
3. Check all parts are present before you start to assemble the product. Place small parts on a tray or similar to ensure they are not lost. The manufacturing process can very occasionally result in sharp edges/waste material so please take care when assembling this product.
4. If any parts are missing do not use the product until the replacement parts are fitted.
5. Ensure your product is sited on level ground. Failure to do this may put additional stress on connections and joints and in time could cause them to fail.
6. Ensure your product is located on a soft impact surface like grass. Never locate your product on a hard surfaces like concrete.
7. Anchors supplied with this product must be fitted before use.
8. In freezing weather, detachable plastic parts should be stored inside.
9. Avoid locating this product in full sun.
10. When fitting swinging toys it is vital that no parts have metal to metal contact.
11. Children should be instructed not to pass in front of or behind moving swings.
12. They should not twist or swing on an empty swing seat. Children should not get on or off a swinging toy when it is in motion.
13. Remove all packaging before giving to your children or allowing them to play with this product.
14. Equipment should be checked by an adult at the beginning of each season and at regular intervals during the usage season to ensure it is safe. Pay special attention to all connections and fastenings .
15. Parts may need to be replaced if they show signs of wear and tear. Replace any defective parts in accordance with these instructions.
16. With swings, particular attention should be paid to suspensions systems, ropes and all fixings. Ropes degrade over time and should be replaced as required.
17. Any changes to this toy including changing or adding an accessory, must be done in accordance with our instructions. Failure to do this will render your guarantee null and void and may make your product unsafe.
18. Ensure children's clothing is appropriate for the play activity.
19. Never place toys near a fire.
20. Take care in wet weather. Toys can become slippery.
21. In high winds, ensure outdoor toys are moved to a sheltered position and/or securely staked down.
22. The age recommendation for this product is clearly stated on the packaging and in these instructions. Please adhere to it at all times. Adult supervision is required at all times to ensure children play safely.
23. When you dispose of this equipment please do so responsibly.

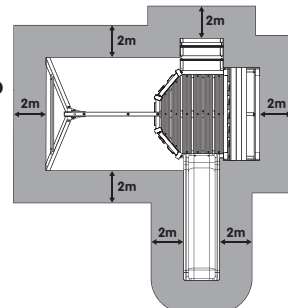
## Safe play free space area

The safe play area refers to the zone extending 200cm around the toys on all sides and 250cm above the toy.  
The safe play area must be free from all obstacles.

**TP368P**

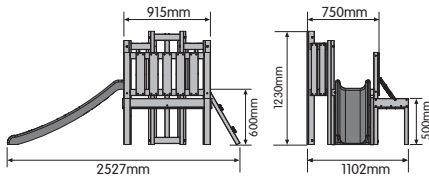


**TP369P**

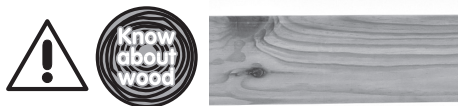
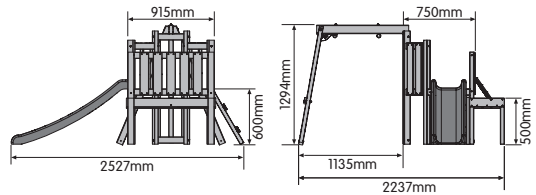


## Dimensions

### TP368P



### TP369P



## Know About Wood

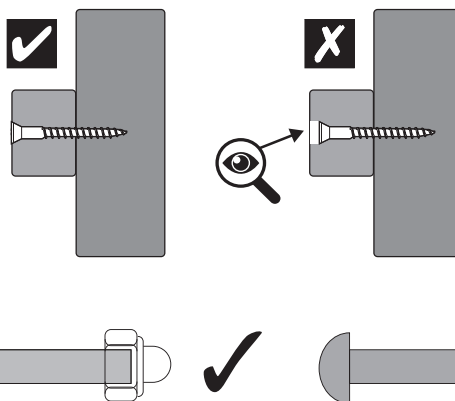
Unlike steel, wood is a natural, organic material and each piece will be unique, bearing its own knots, cracks and variations in colour and, unlike steel, wood will react significantly to changes in atmospheric conditions.

Wood will expand and contract as fluctuations of temperature and humidity affect the water content of the cell structure. In warm sunny weather it will shrink and in wet weather it will expand. As these physical changes do not, necessarily, take place uniformly throughout a piece of wood, forces are set up which cause cracks and splits to arise.

It is not necessary to stain your Wooden frame.

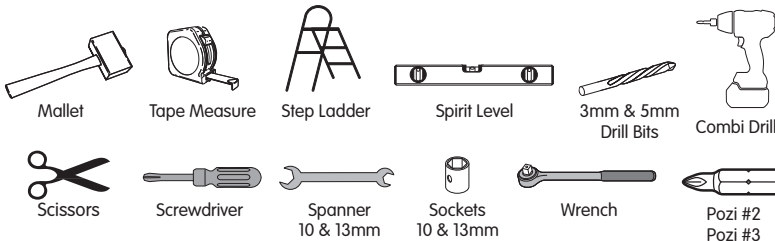
It is made from selected wood which has been pressure treated. This is a process by which preservatives are forced under pressure into the fabric of the timber to protect it from decay and insect damage.

If you do wish to stain your Wooden frame for aesthetic reasons, please use a water-based stain, which is available from any good DIY store.



# 1 Contents - Please check

## Tools - You will need:



## Also Required:



### TP368P

MW2200 802mm **x2**



MW2201 455mm **x2**



MW2202 820mm **x4**



MW2203 780mm **x1**



MW2204 570mm **x1**



MW2205 455mm **x5**



MW2206 667mm **x2**



MW2207 500mm **x2**



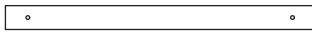
MW2208 662mm **x1**



MW2209 250mm **x2**



MW2210 415mm **x2**



MW2211 310mm **x1**



MW2212 310mm **x5**



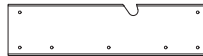
MW2213 310mm **x1**



MW2214 310mm **x2**



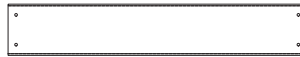
MW2215 378mm **x2**



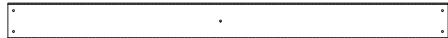
MW2216 255mm **x2**



MW2217 560mm **x4**



MW2218 1180mm **x2**



MW2219 940mm **x2**



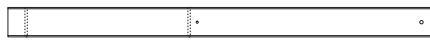
MW2220 970mm **x3**



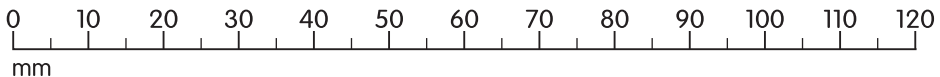
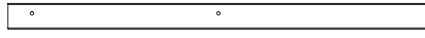
MW2221 258mm **x3**



MW2222 1000mm **x2**



MW2223 1130mm **x2**



# 1 Contents continued - Please check

## TP368P Continued

MW2224 1230mm **x2**



MW2226 970mm **x3**



## TP368P Fixings SP3368

3.5 x 30mm **x12**  
FA4513



4.5 x 40mm **x8**  
FA4517

4.5 x 50mm **x2**  
FA9705

5 x 60mm **x10**  
FA9768

6 x 155mm **x8**  
FA9784

M8 x 75mm **x8**  
FA6209

M8 x 100mm **x4**  
FA9701

M6 x 70mm **x2**  
FA5170

M6 x 20mm  
FA5094  
**x2**

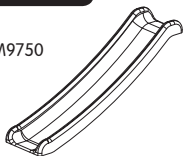
M8 x 25mm  
FA7184  
**x24**

M6 Nylon Insert  
Dome Nut  
FA5192  
**x2**

M8 Nylon Insert  
Dome Nut  
FA8163  
**x12**

## TP938

PM9750  
**x1**



## TP369P

MW1226 835mm **x1**



MW2225 1000mm **x1**



MW1233 1400mm **x2**



## Fixings SP3369

4.5 x 50mm **x2**  
FA9705

M6 x 70mm **x4**  
FA5170

M6 Nylon Insert  
Dome Nut  
FA5192  
**x4**

M6 x 20mm  
FA5094  
**x4**

M6  
FA9764  
**x2**

M8 x 25mm  
FA7184  
**x7**

M8 Nylon Insert  
Dome Nut  
FA8163  
**x3**

M8 Hook bolt short  
FA9791  
**x2**

M8  
Nylon Insert Nut  
FA5174  
**x1**

## TP913X

Karabiners  
with Nylon Bush.



TP913X  
**x1**

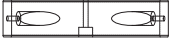
**2**

TP368P TP Forest Toddler Wooden Climbing Frame & Slide  
 TP369P TP Forest Toddler Wooden Swing Set & Slide

MW2224 1230mm x1



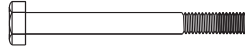
MW2213 310mm x1



MW2212 310mm x1



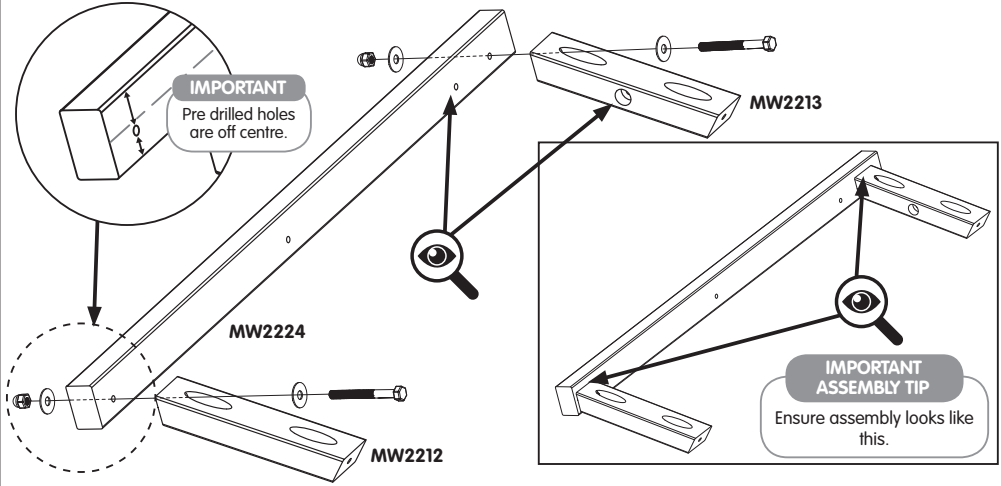
M8 x 75mm x2  
 FA6209



M8 x 25mm  
 FA7184  
 x4



M8  
 FA8163  
 x2

**3**

MW2211 310mm x1



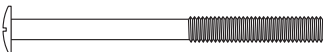
MW2212 310mm x1



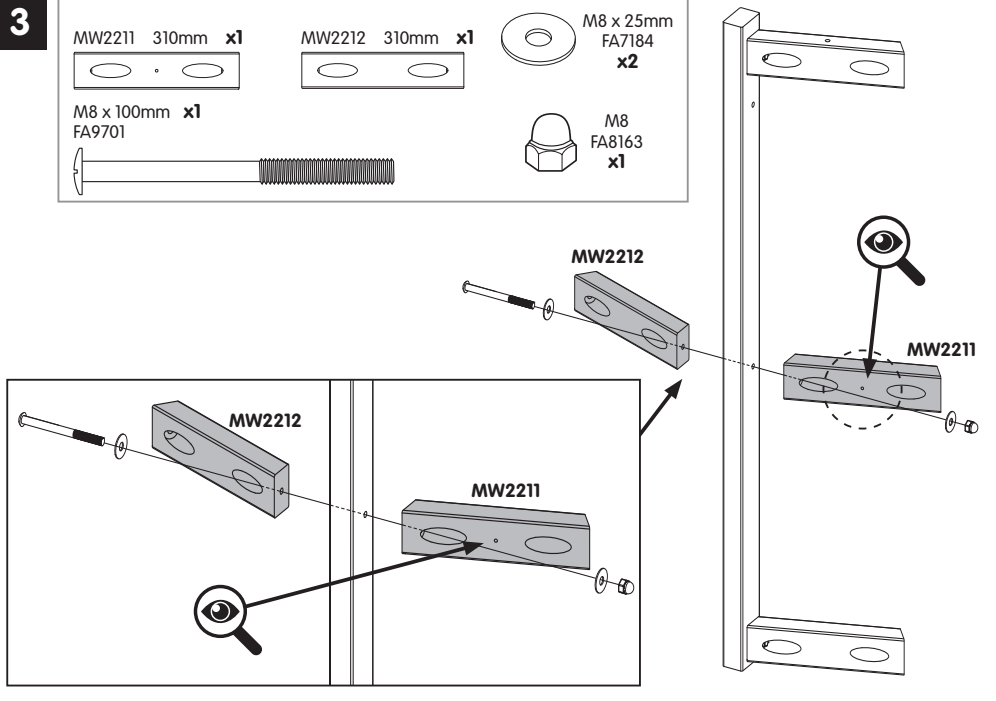
M8 x 25mm  
 FA7184  
 x2



M8 x 100mm x1  
 FA9701



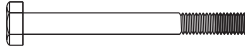
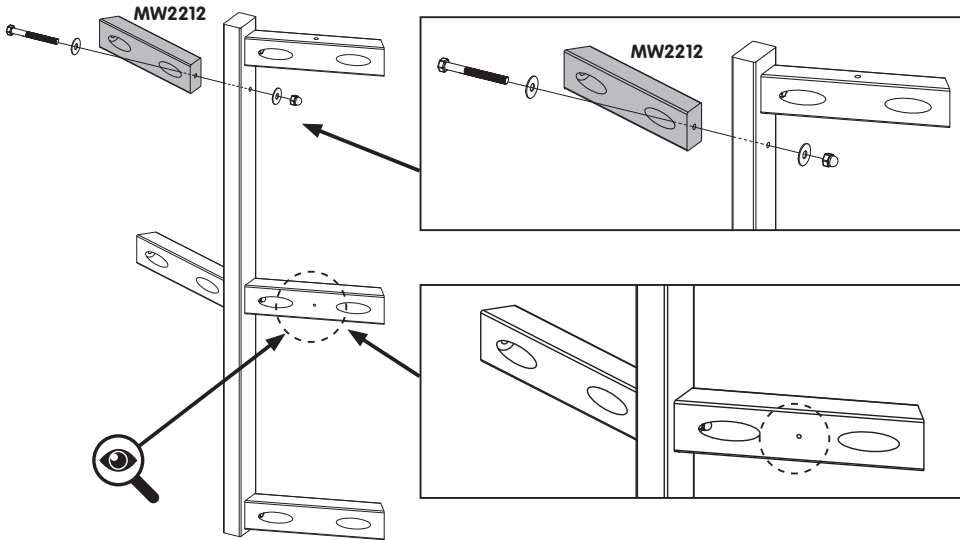
M8  
 FA8163  
 x1

**6**

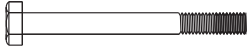
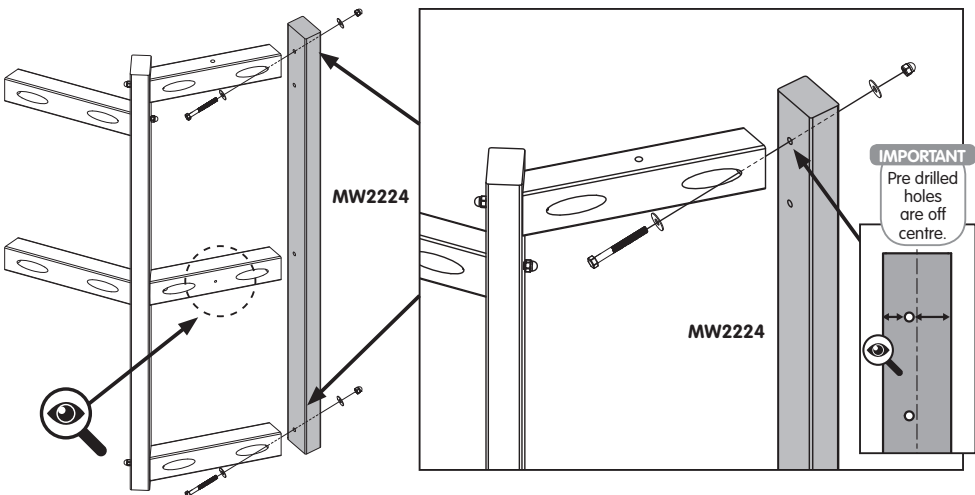
TP Forest Toddler Wooden Climbing Frame & Slide  
 TP Forest Toddler Wooden Swing Set & Slide

**4**

MW2212 310mm x1

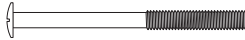
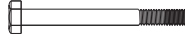
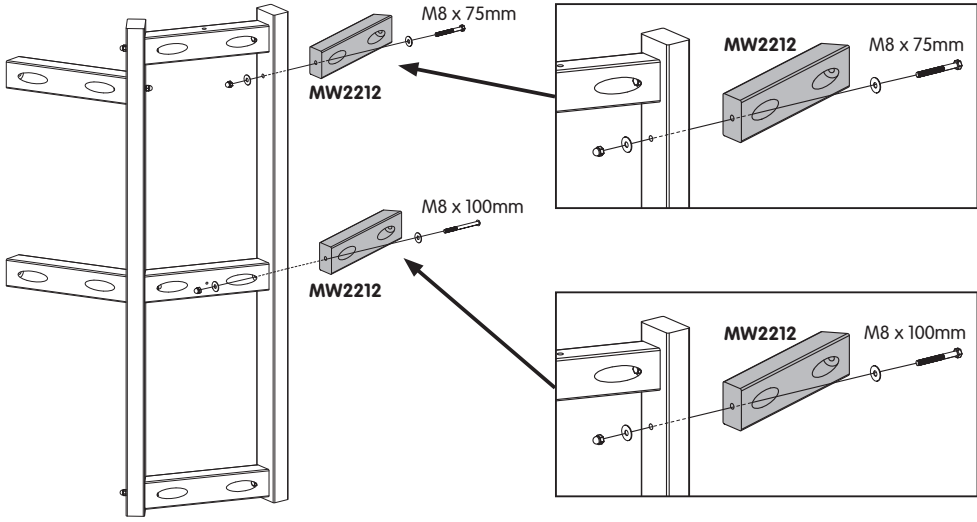
M8 x 75mm x1  
FA6209M8 x 25mm  
FA7184  
x2M8  
FA8163  
x1**5**

MW2224 1230mm x1

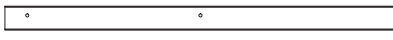
M8 x 75mm x2  
FA6209M8 x 25mm  
FA7184  
x4M8  
FA8163  
x2**7**TP Forest Toddler Wooden Climbing Frame & Slide  
TP Forest Toddler Wooden Swing Set & Slide

**6**

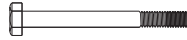
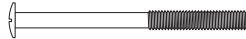
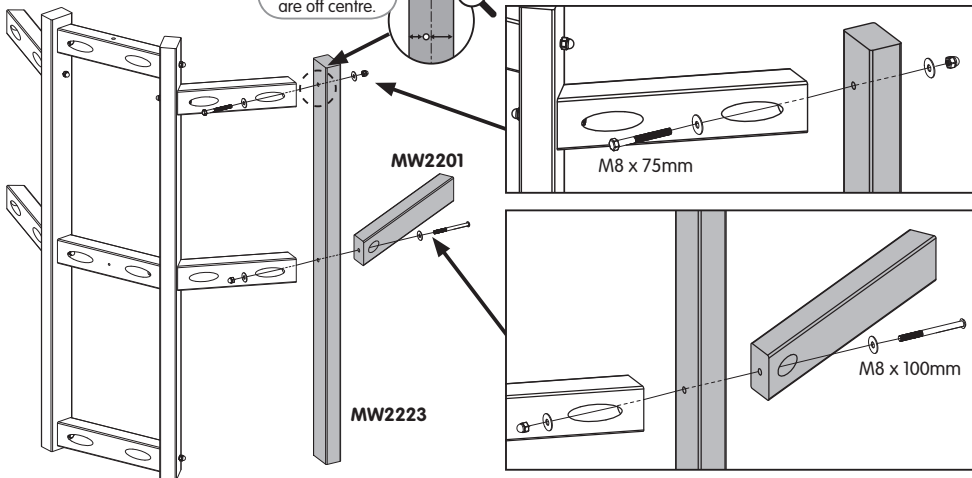
MW2212 310mm x2

M8 x 100mm x1  
FA9701M8 x 75mm x1  
FA6209M8  
FA8163  
x2M8 x 25mm  
FA7184  
x4**7**

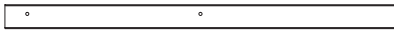
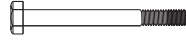
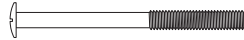
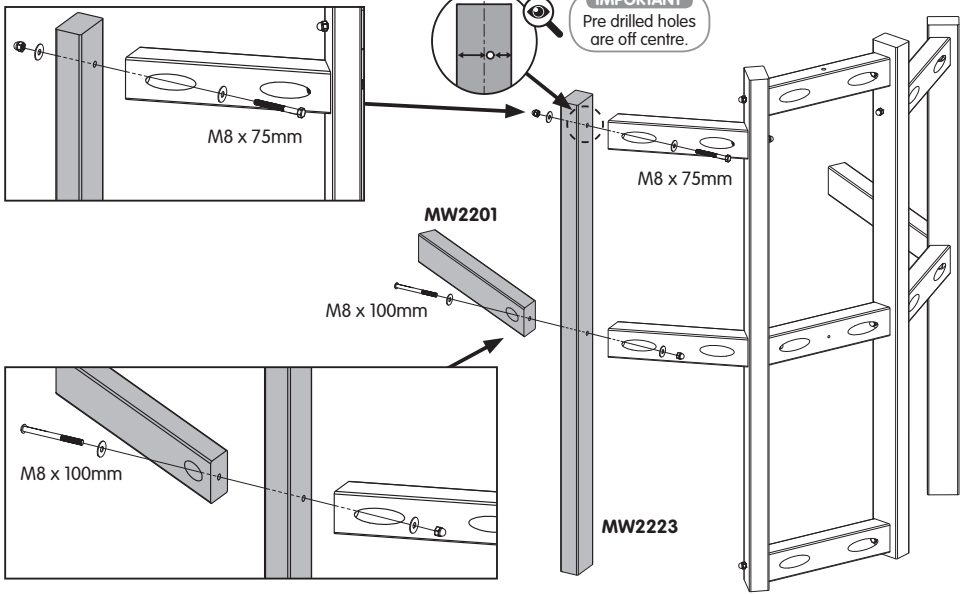
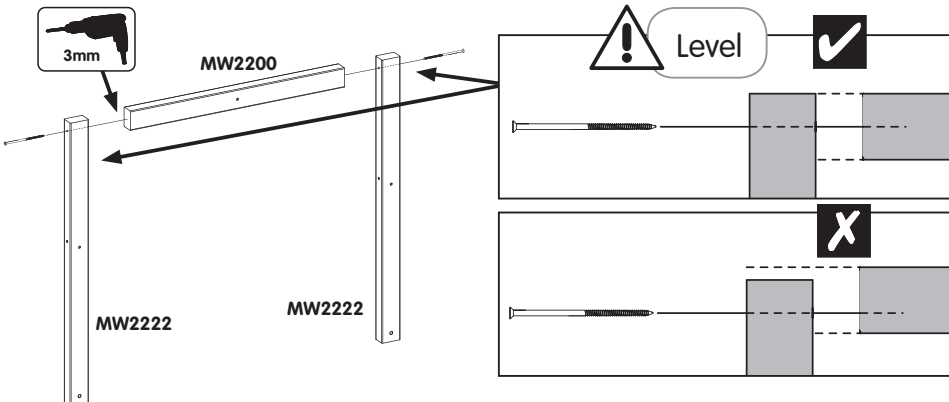
MW2223 1130mm x1



MW2201 455mm x1

M8 x 75mm x1  
FA6209M8 x 100mm x1  
FA9701M8 x 25mm  
FA7184  
x4M8  
FA8163  
x2**IMPORTANT**Pre drilled holes  
are off centre.**8**TP Forest Toddler Wooden Climbing Frame & Slide  
TP Forest Toddler Wooden Swing Set & Slide



**8**MW2223 1130mm **x1**MW2201 455mm **x1**M8 x 75mm **x1**  
FA6209M8 x 100mm **x1**  
FA9701M8 x 25mm  
FA7184  
**x4**M8  
FA8163  
**x2****9**MW2200 802mm **x1**MW2222 1000mm **x2**6 x 155mm **x2**  
FA9784**9**TP Forest Toddler Wooden Climbing Frame & Slide  
TP Forest Toddler Wooden Swing Set & Slide

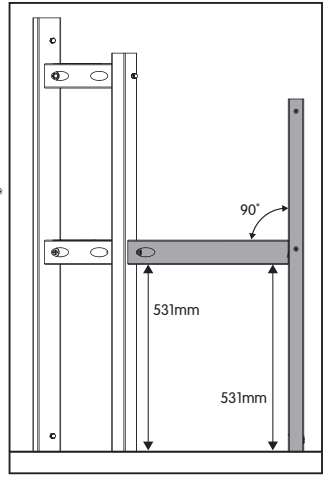
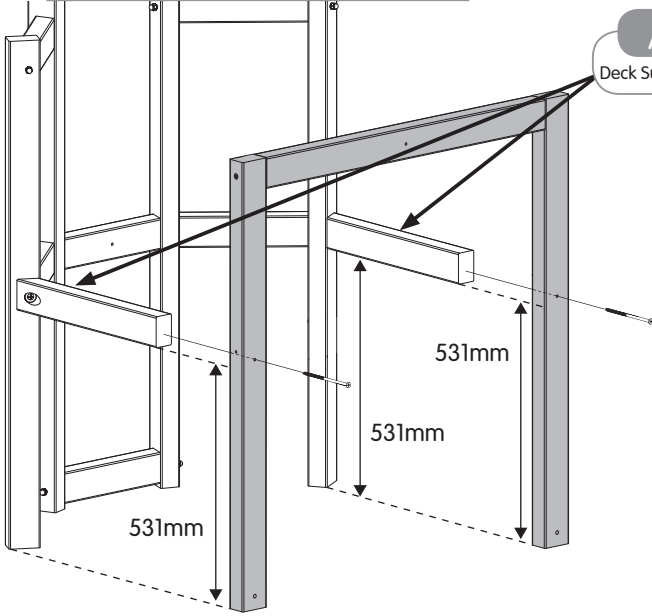
10

6 x 155mm x2  
FA9784



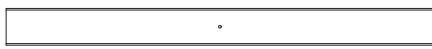
**IMPORTANT  
ASSEMBLY TIP**

Deck Support must be LEVEL.



11

MW2200 802mm x1

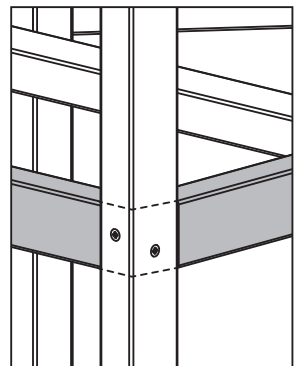
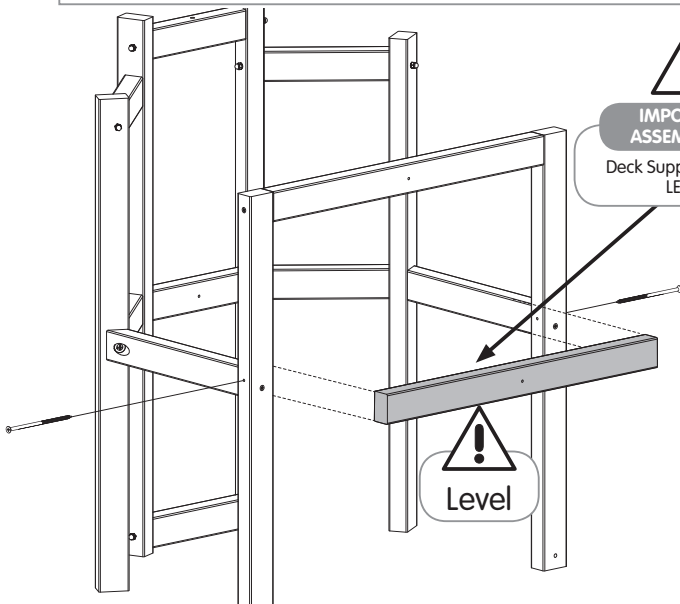


6 x 155mm x2  
FA9784



**IMPORTANT  
ASSEMBLY TIP**

Deck Support must be LEVEL.



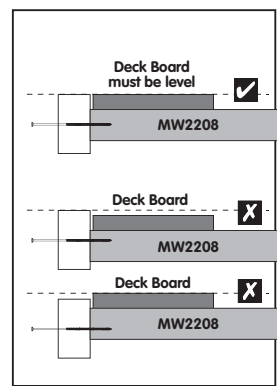
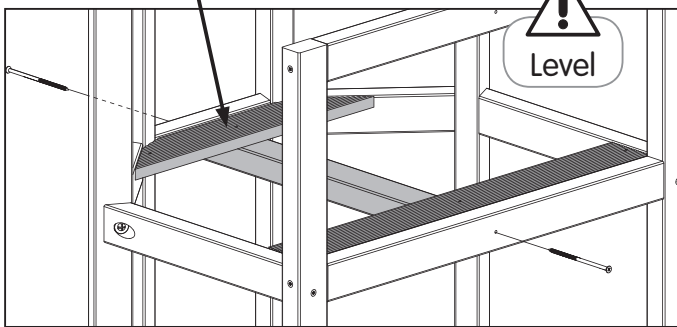
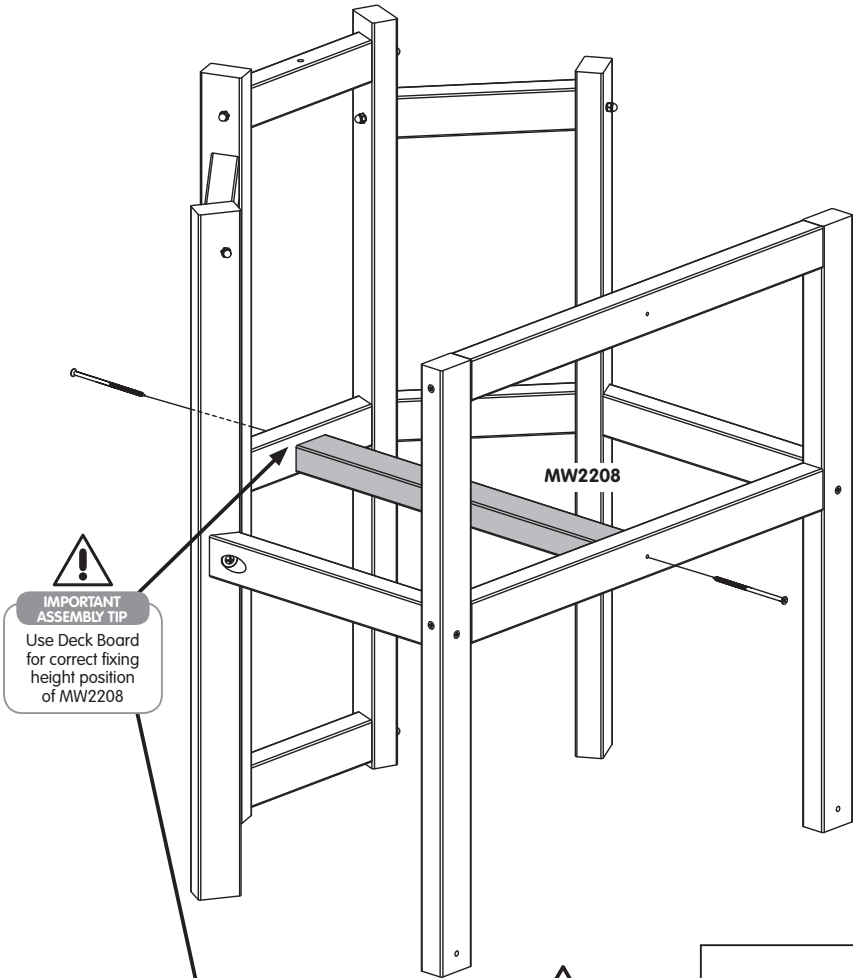
10

TP Forest Toddler Wooden Climbing Frame & Slide  
TP Forest Toddler Wooden Swing Set & Slide

12

MW2208 662mm x1

6 x 155mm x2  
FA9784



11

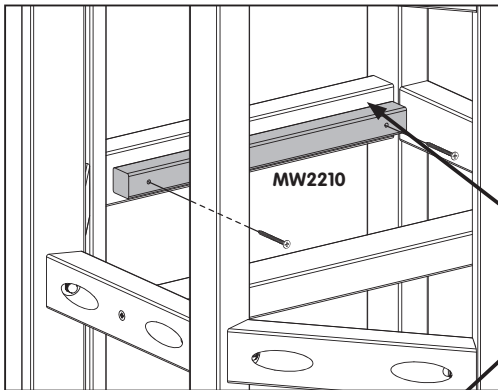
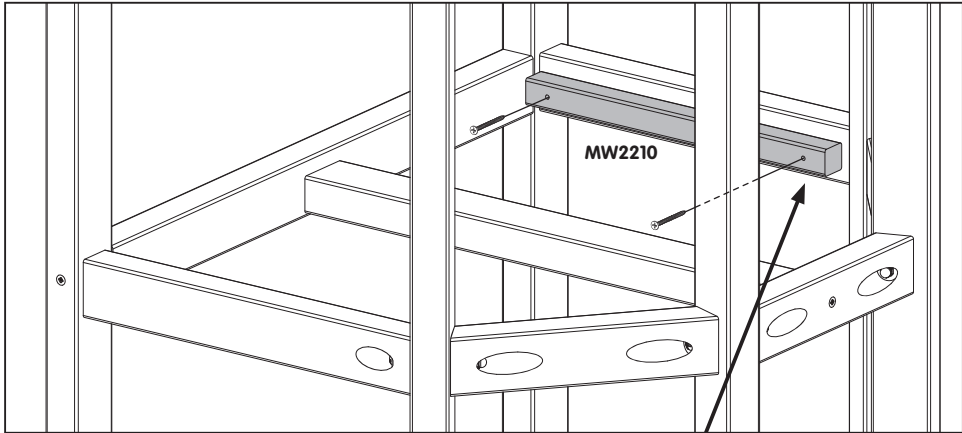
TP Forest Toddler Wooden Climbing Frame & Slide  
TP Forest Toddler Wooden Swing Set & Slide

13

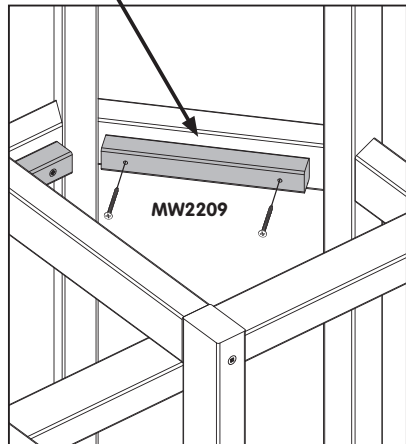
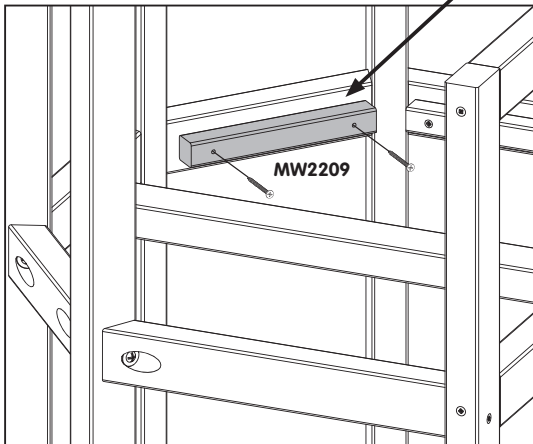
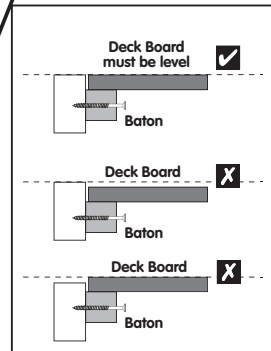
MW2210 415mm x2

MW2209 250mm x2

5 x 60mm x8  
FA9768



**IMPORTANT ASSEMBLY TIP**  
Use Deck Board for correct fixing height position of Battens



12

TP Forest Toddler Wooden Climbing Frame & Slide  
TP Forest Toddler Wooden Swing Set & Slide

14

MW2203 780mm x1




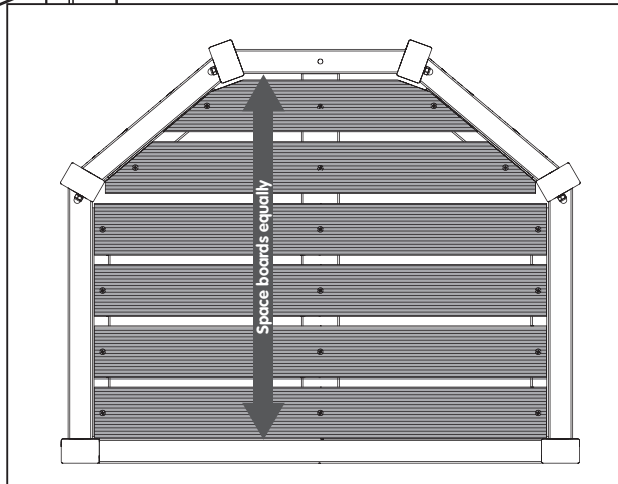
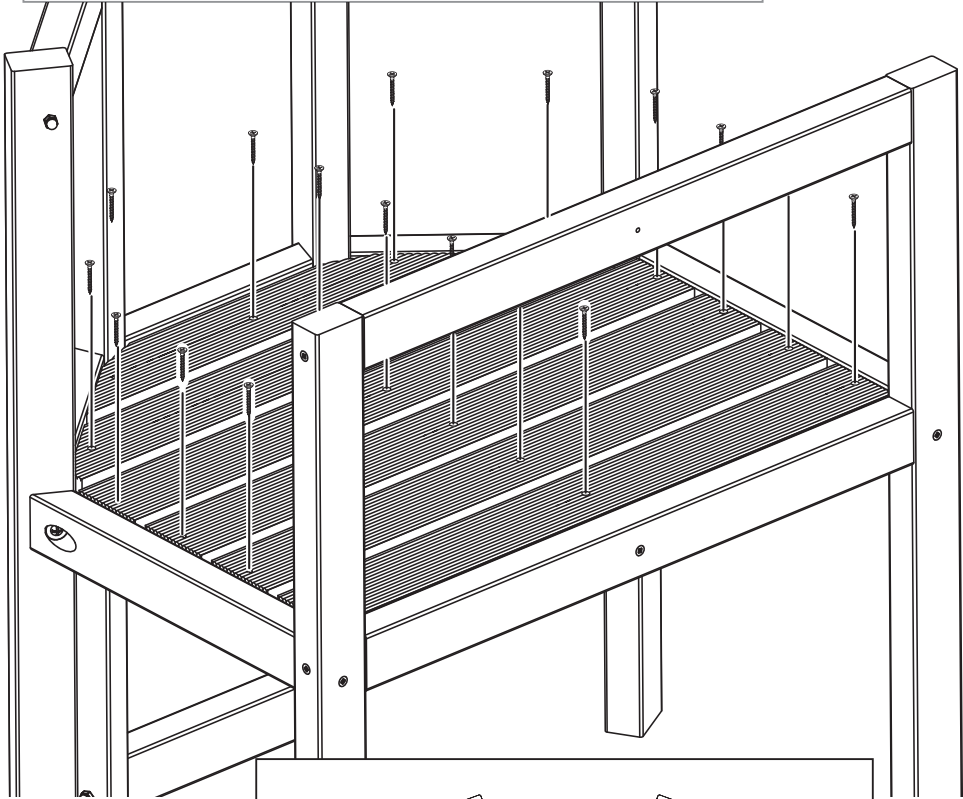
MW2202 820mm x4



MW2204 570mm x1



 4 x 40mm x18  
FA4511



13

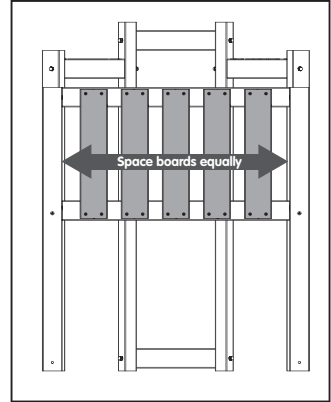
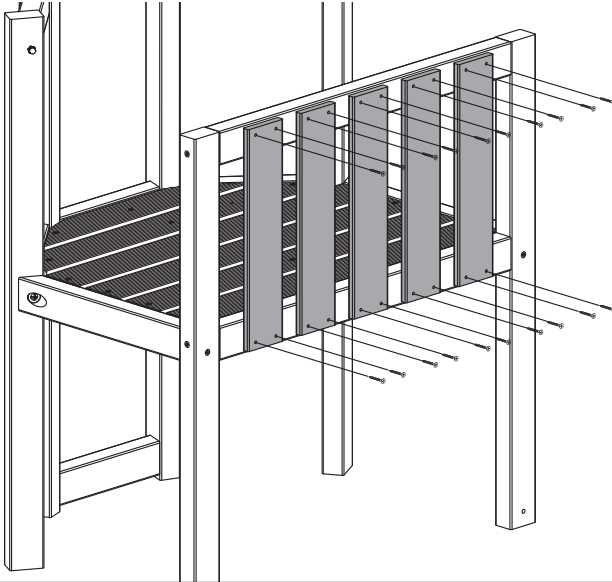
TP Forest Toddler Wooden Climbing Frame & Slide  
TP Forest Toddler Wooden Swing Set & Slide

15

MW2205 455mm x5



4 x 40mm x20  
FA4511

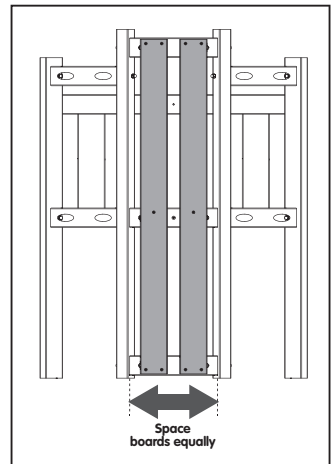
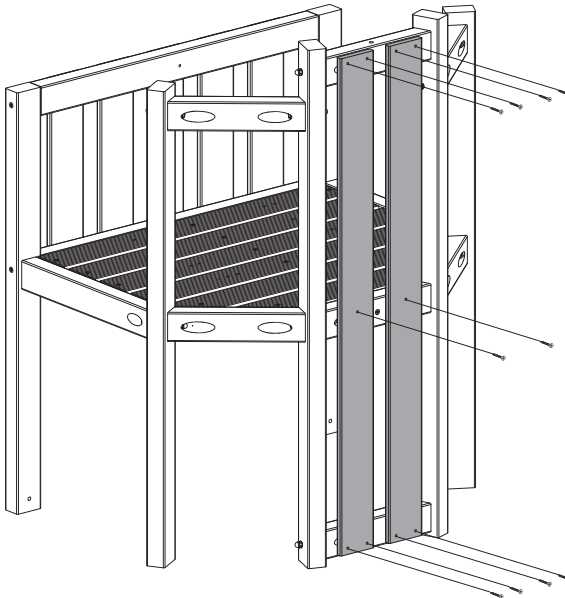


16

MW2218 1180mm x2



4 x 40mm x10  
FA4511



14

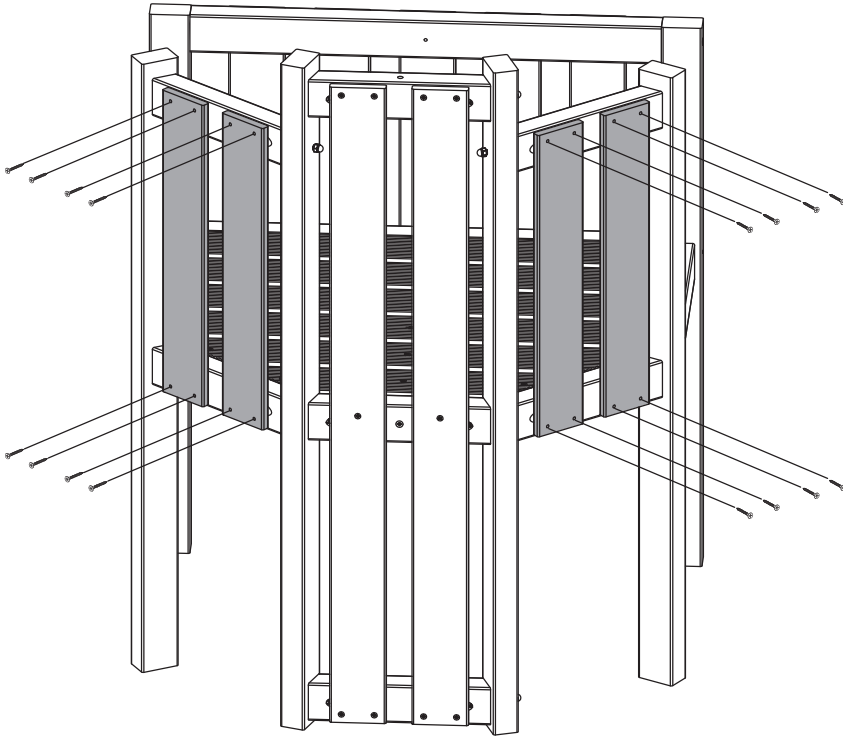
TP Forest Toddler Wooden Climbing Frame & Slide  
TP Forest Toddler Wooden Swing Set & Slide

17

MW2217 560mm x4



4 x 40mm x16  
FA4511



18

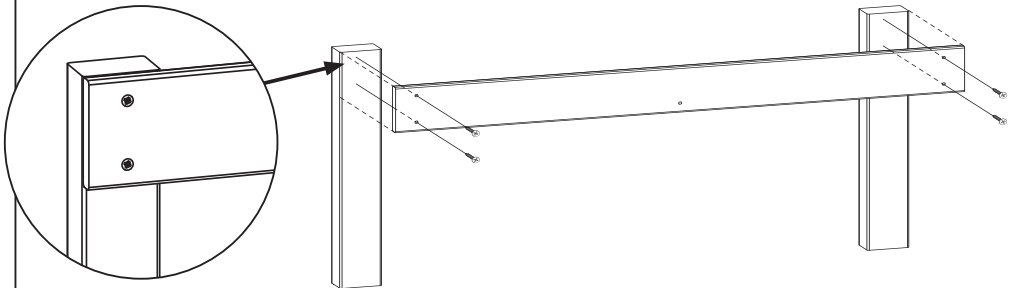
MW2219 940mm x1



MW2207 500mm x2



4 x 40mm x4  
FA4511

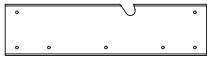


15

TP Forest Toddler Wooden Climbing Frame & Slide  
TP Forest Toddler Wooden Swing Set & Slide

19

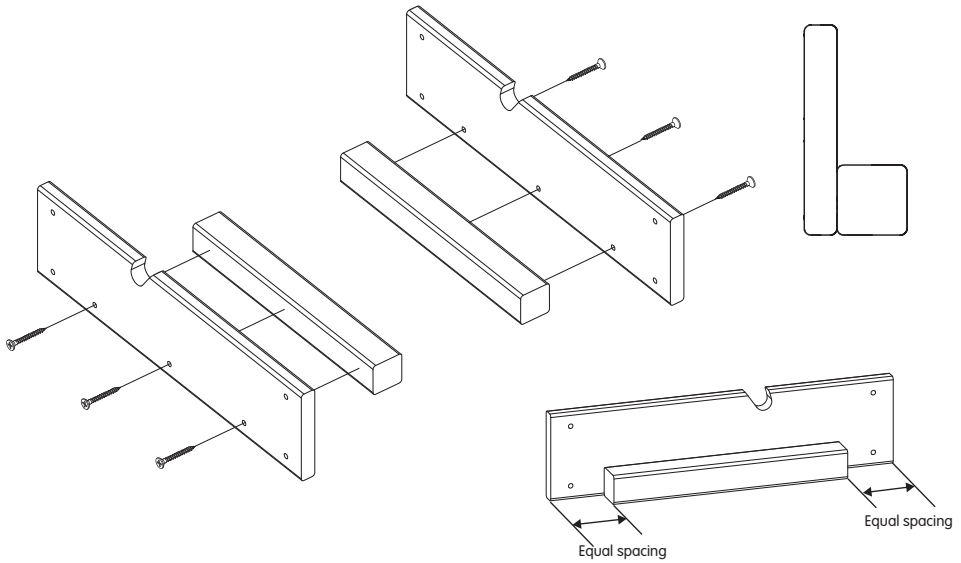
MW2215 378mm x2



MW2221 258mm x2

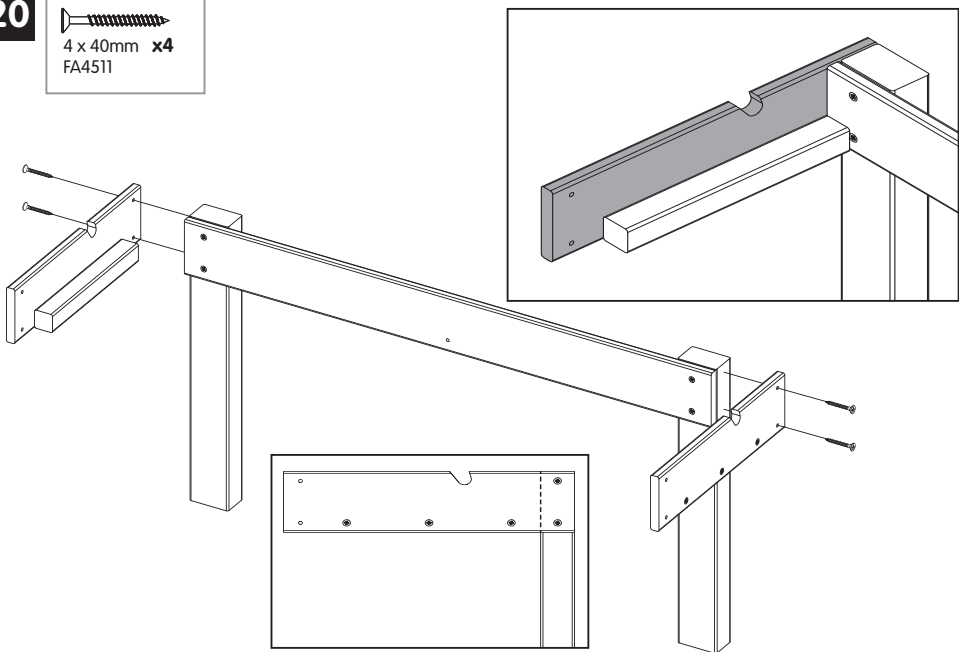


4 x 40mm x6  
FA4511



20

4 x 40mm x4  
FA4511



16

TP Forest Toddler Wooden Climbing Frame & Slide  
TP Forest Toddler Wooden Swing Set & Slide



21

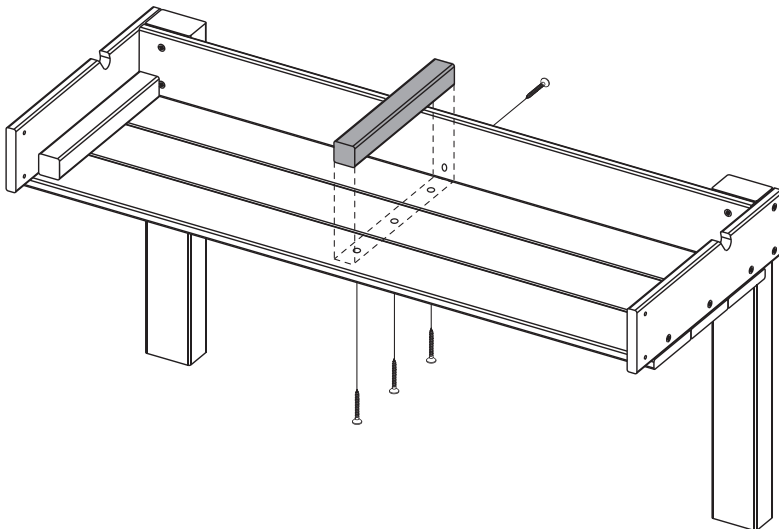
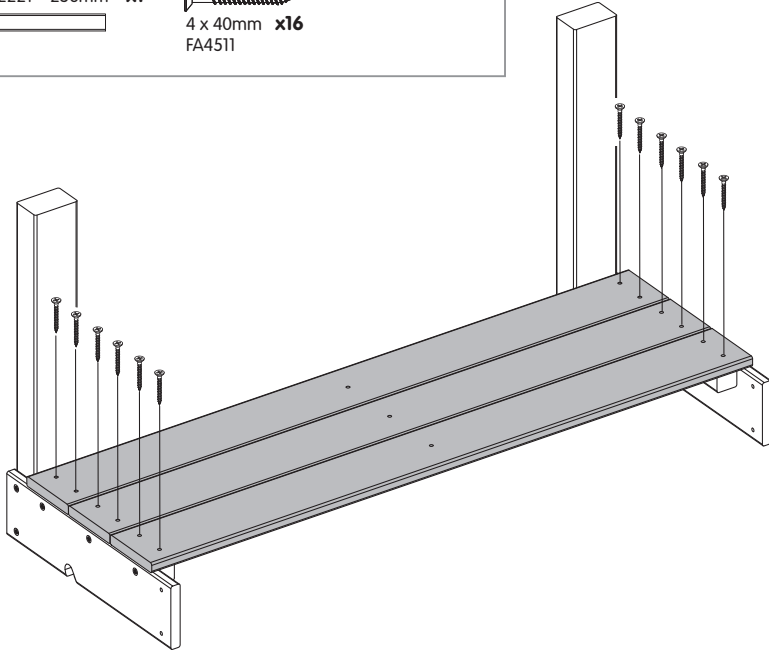
MW2220 970mm x3




MW2221 258mm x1



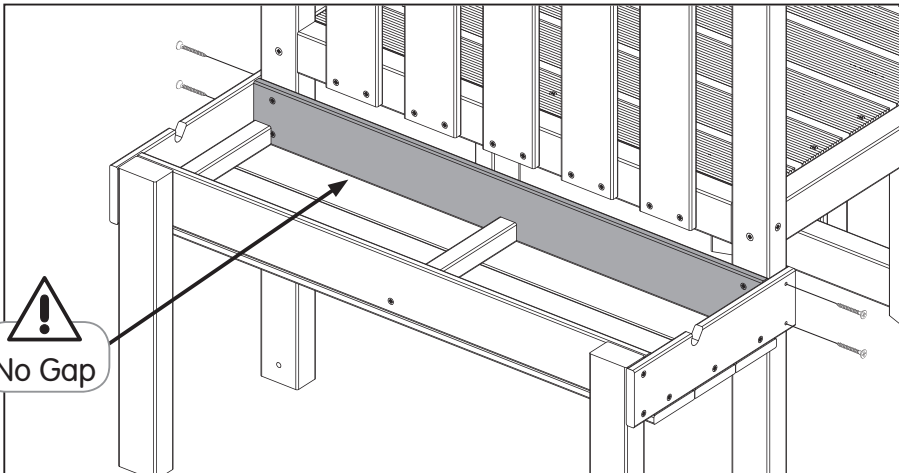
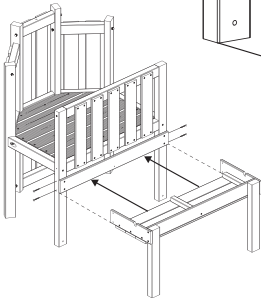
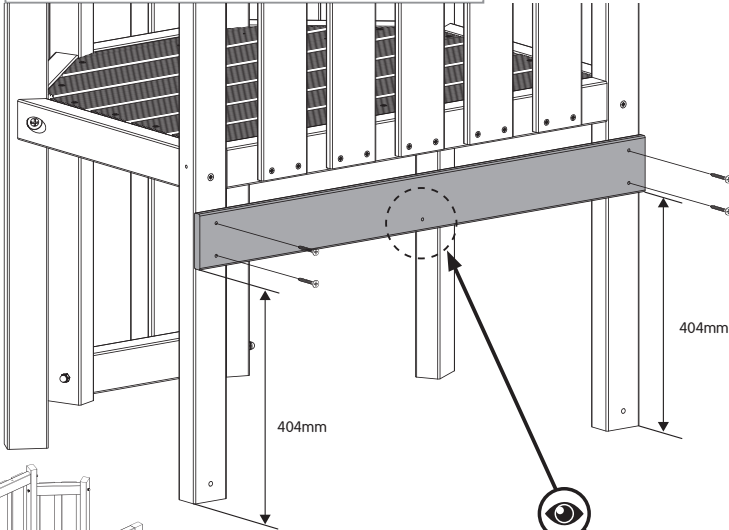
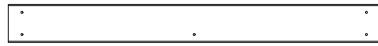
4 x 40mm x16  
FA4511




22

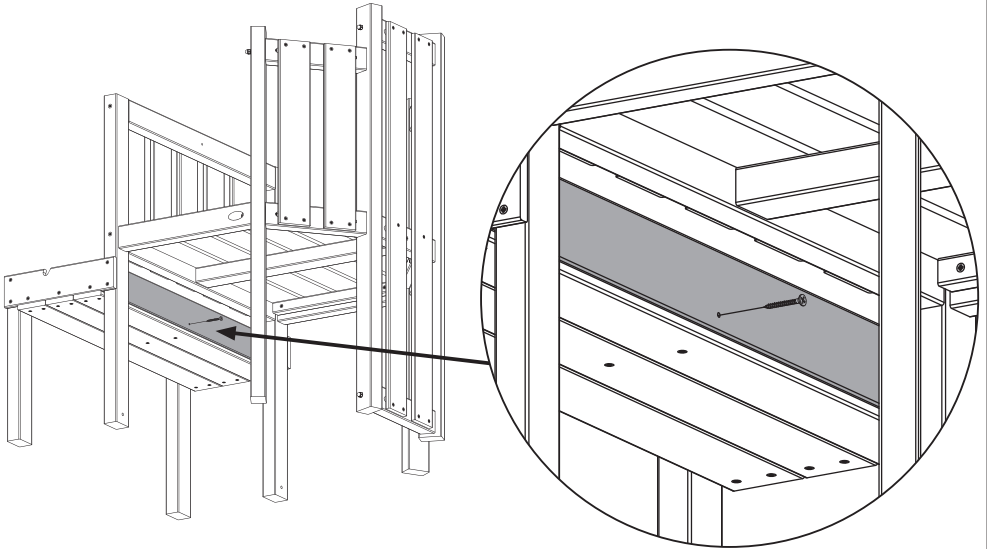
  
4 x 40mm x8  
FA4511

MW2219 940mm x1



**23**

  
4 x 40mm **x1**  
FA4511



**24**

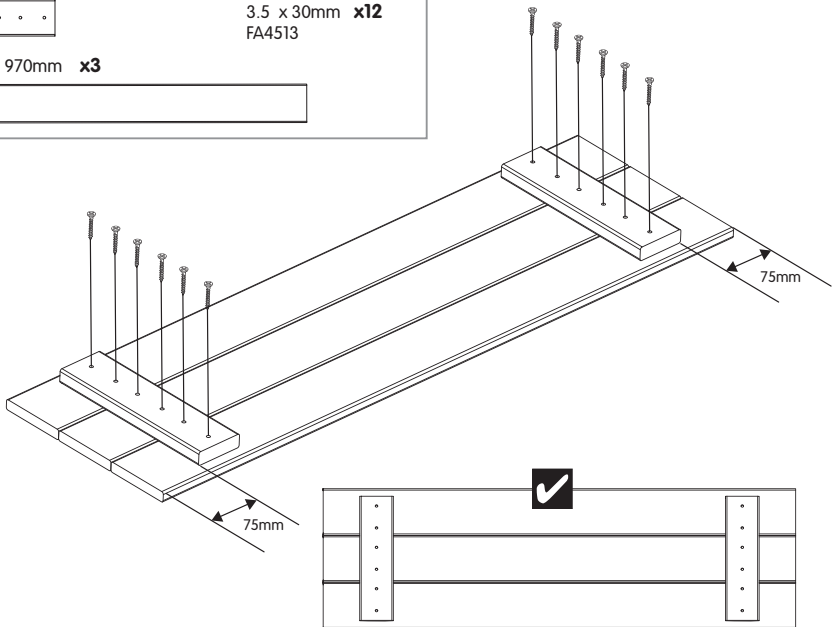
MW2216 255mm **x2**



MW2226 970mm **x3**



  
3.5 x 30mm **x12**  
FA4513



**19**

TP Forest Toddler Wooden Climbing Frame & Slide  
TP Forest Toddler Wooden Swing Set & Slide

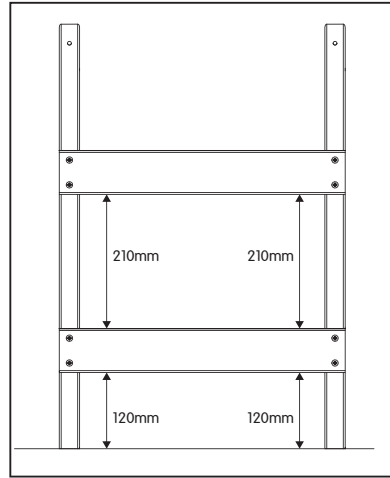
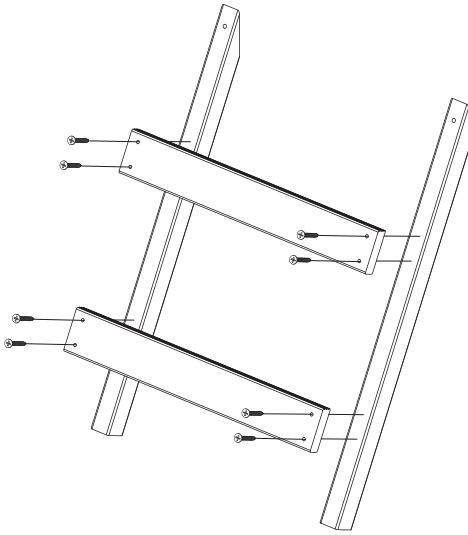
**25**

MW2206 667mm **x2**

MW2214 310mm **x2**



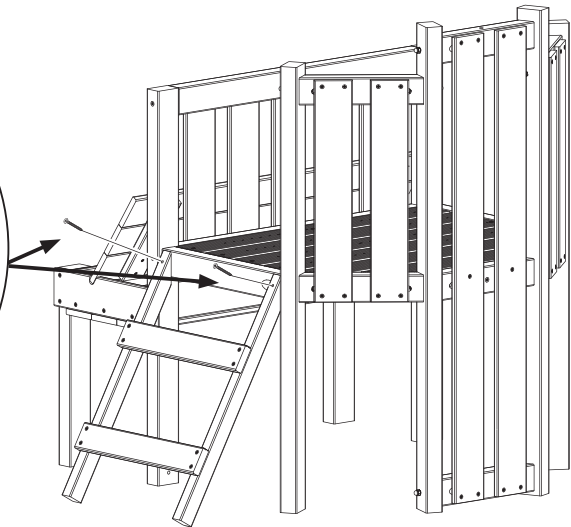
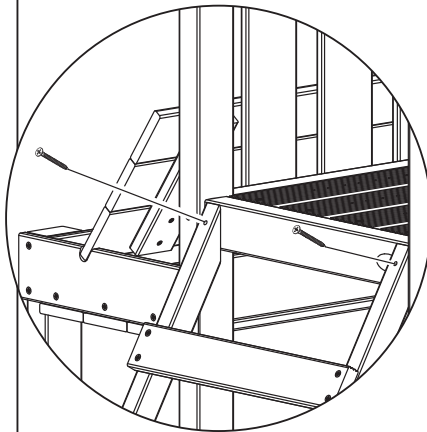
4.5 x 40mm **x8**  
FA4517



**26**



4.5 x 50mm **x2**  
FA9705

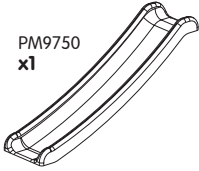


**20**

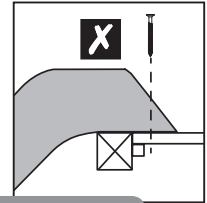
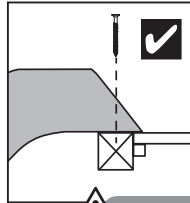
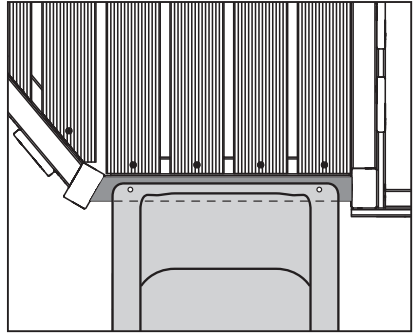
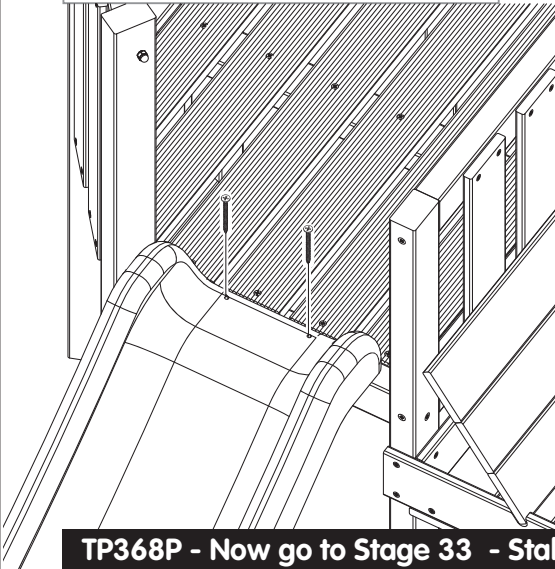
TP Forest Toddler Wooden Climbing Frame & Slide  
TP Forest Toddler Wooden Swing Set & Slide

27

PM9750  
x1



5 x 60mm x2  
FA9768



**IMPORTANT ASSEMBLY TIP**  
**ENSURE FIXINGS SCREW**  
**INTO DECK SUPPORT**

**TP368P - Now go to Stage 33 - Staking to complete build**

28

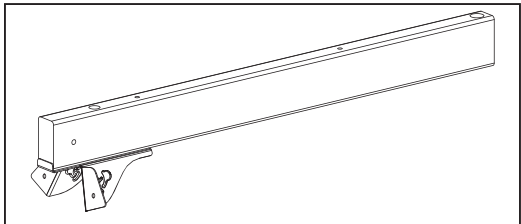
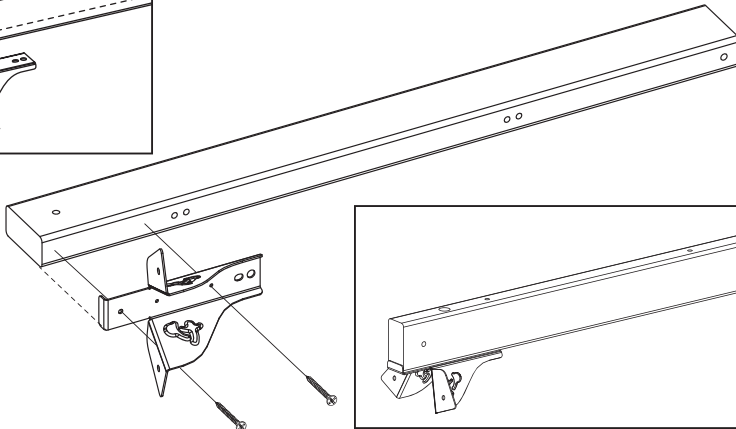
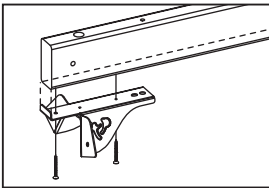
MW2225 1000mm x1



4.5 x 50mm x2  
FA9705



PR7691 x1

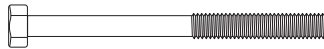


21

TP Forest Toddler Wooden Climbing Frame & Slide  
TP Forest Toddler Wooden Swing Set & Slide

**29**

MW1233 1400mm x2



M8 x140mm x1  
FA9975



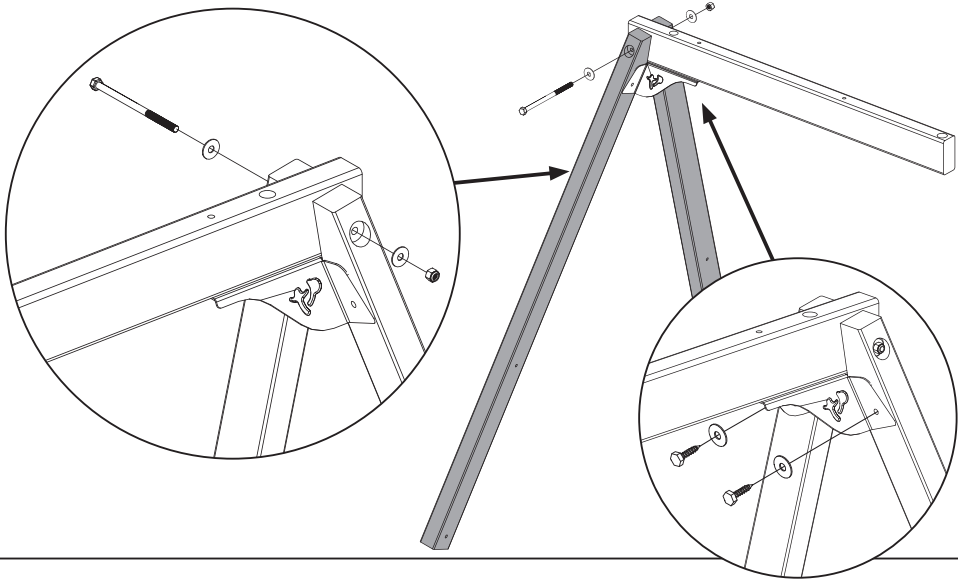
M8 x 25mm  
FA7184  
x4



M8  
FA5174  
x1



30mm x2  
FA5124



**30**

MW1226 835mm x1



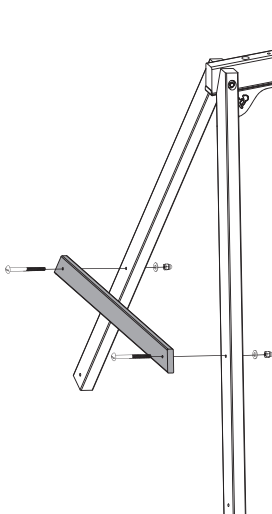
M6 x 70mm x2  
FA5170



M6  
FA5192  
x2



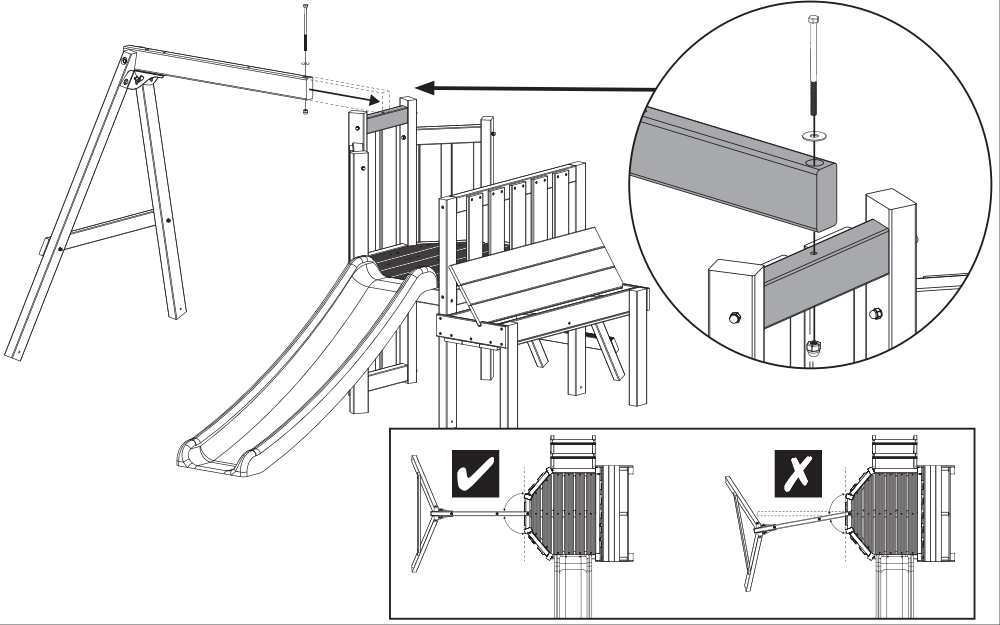
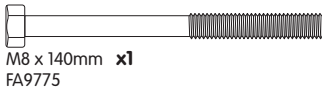
M6  
FA9764  
x2



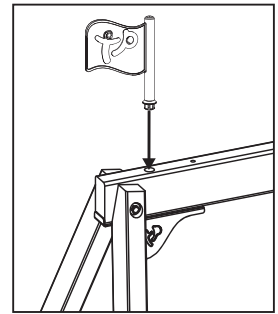
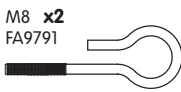
**22**

TP Forest Toddler Wooden Climbing Frame & Slide  
TP Forest Toddler Wooden Swing Set & Slide

31

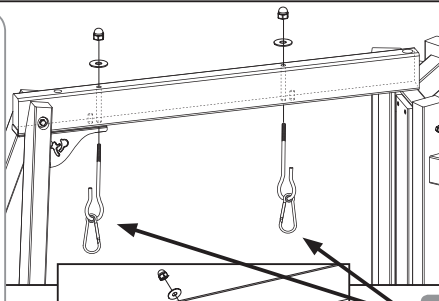
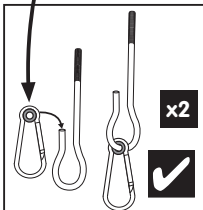
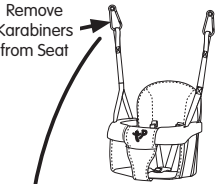


32

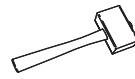


ASSEMBLY TIP

Remove Karabiners from Seat



ASSEMBLY TIP



Use Mallet to firmly locate hook bolt in pilot hole

23

TP Forest Toddler Wooden Climbing Frame & Slide  
TP Forest Toddler Wooden Swing Set & Slide

# 33

## Staking

### TP368P



M6 x 20mm  
FA5094

**x2**



M6  
FA5192

**x2**



M6 x 70mm  
FA5170

**x2**



PM2001

**x2**

### TP369P



M6 x 20mm  
FA5094

**x4**



M6  
FA5192

**x4**



M6 x 70mm  
FA5170

**x4**

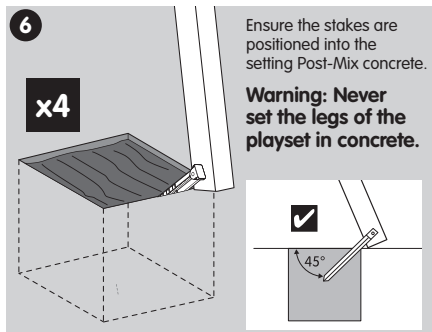
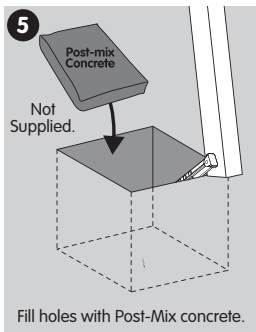
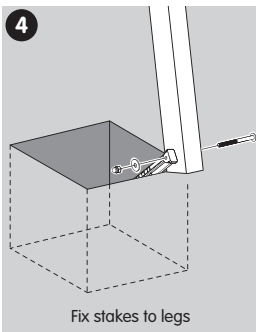
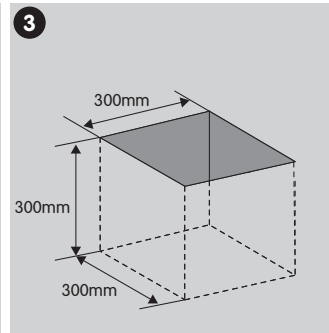
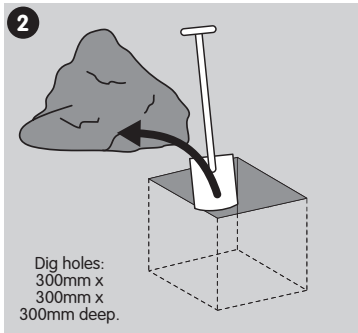
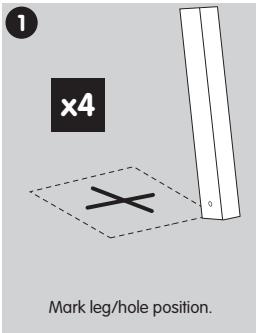
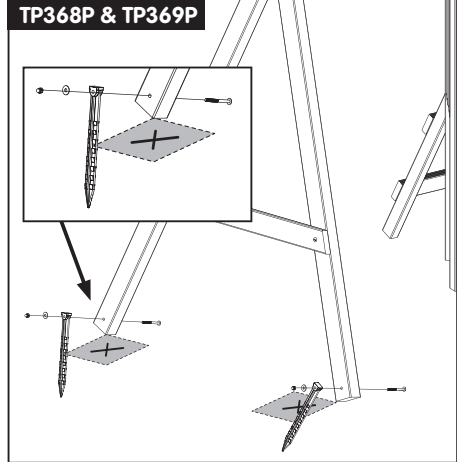
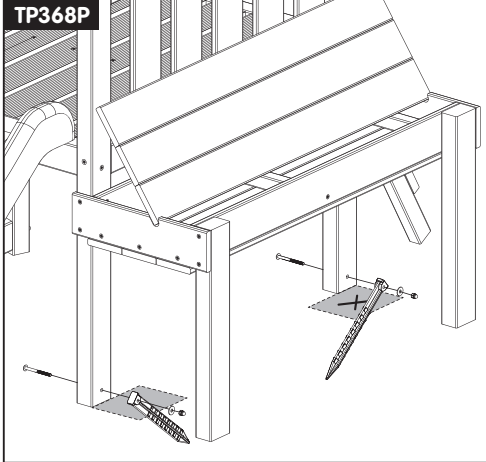


PM2001

**x4**



Not Supplied

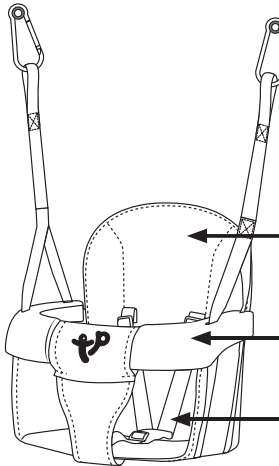




## 34 All about your New TP913X FoldAway Swing Seat

### Important

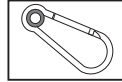
Before you use your TP FoldAway Swing Seat please read the safety information carefully and follow its advice at all times.



**FC9908 x2**

**Karabiner with Nylon Bush.**

The karabiners should always be used to attach the seat to the frame.



**TP913X x1**

**FoldAway Swing Seat**

Includes safety Harness.

**Seat Frame**



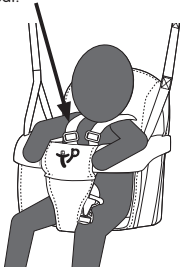
**Safety Harness**

The safety harness must be used at all times to secure the child into the FoldAway Swing Seat.

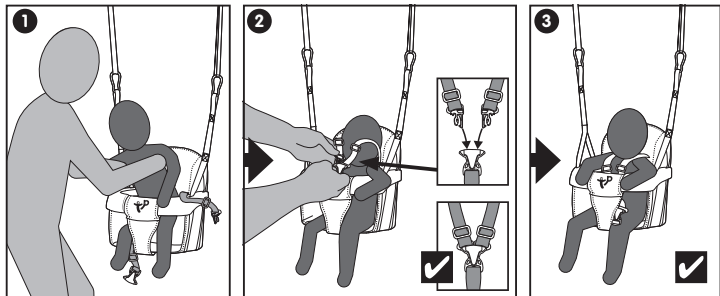
## 35 Important Safety Information for your new TP FoldAway Swing Seat

Always ensure that the safety Harness is fitted as shown below.

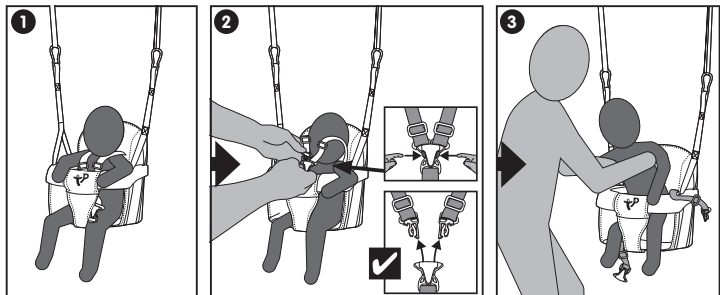
The safety harness must be used at all times to secure the child into the FoldAway Swing Seat.



### How to seat your child safely in their TP FoldAway Swing Seat

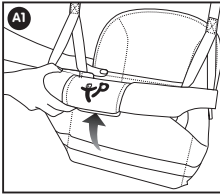


### How to remove your child safely from their TP FoldAway Swing Seat

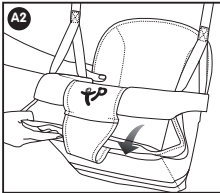


## 36 Attaching your swing seat to the frame

### Unfolding the Swing Seat



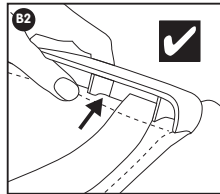
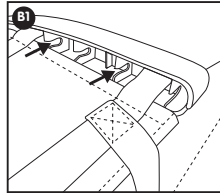
Lift the Seat Frame upwards.



Pull the seat base downwards

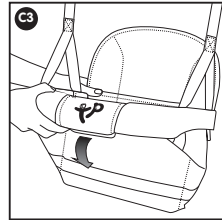
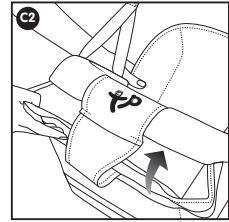
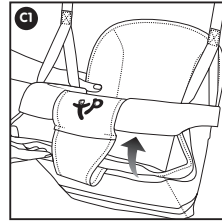
### Important! Check frame attachment

Before use, please ensure that the sides of the seat are fully inserted to the frame. The sides are snap fit so press firmly to fit.

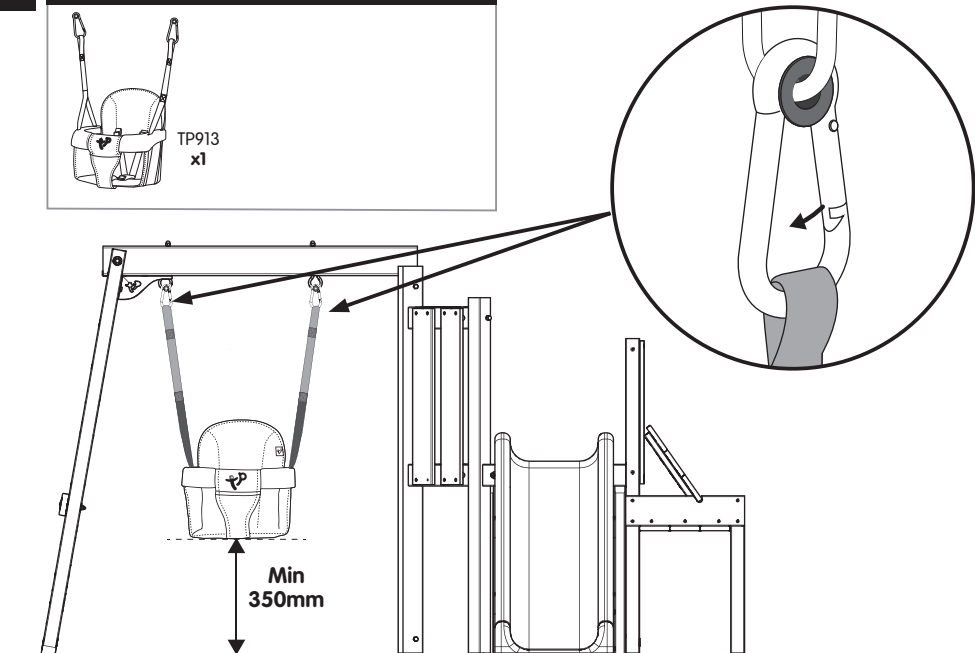
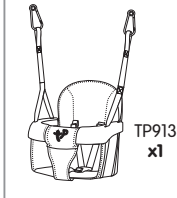


### Folding away the Swing Seat (after use)

To fold away - simply reverse the below steps.



## 37 Seat attachment to playframe



The TP FoldAway Swing Seat is designed with maximum comfort for your child. Due to the soft materials, we do not recommend leaving it outside for long periods. Please look after it by taking it inside when not in use.

To remove light stains, we recommend using a damp cloth.



## Thank you

Thank you for purchasing this product.

Please register your new product on line at [tptoys.com](http://tptoys.com)

**[www.tptoys.com/customer/productregistration](http://www.tptoys.com/customer/productregistration)**

Find out about the guarantee for this product,

visit **[www.tptoys.com/customer/pages/guaranteeinformation](http://www.tptoys.com/customer/pages/guaranteeinformation)**

For customer services and help with your product,

visit **[www.tptoys.com/customer/help](http://www.tptoys.com/customer/help)**

**Your TP Guarantee Number/Product Batch No is**