

TP338 Castlewood Single Wooden Swing Arm

TP335 Castlewood Double Wooden Swing Arm



Instructions for assembly, maintenance and safe use.
Please retain for future reference.

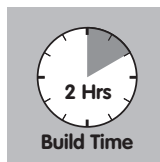
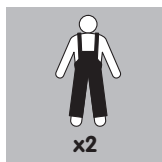
We constantly strive to improve our assembly instructions. To see the most current version of this instruction for assembly, maintenance and safe use. Please visit the product page at tptoys.com



WARNINGS!

THIS PRODUCT CONTAINS SMALL PARTS AND IS NOT SUITABLE FOR CHILDREN UNDER 36 MONTHS. CONTAINS SMALL PARTS. CHOKING HAZARD. ONLY FOR DOMESTIC USE. FOR OUTDOOR USE. ADULT SUPERVISION IS REQUIRED. TOY MUST BE ASSEMBLED BY AN ADULT BEFORE USE. CHILDREN MUST NOT USE THE EQUIPMENT UNTIL PROPERLY INSTALLED.

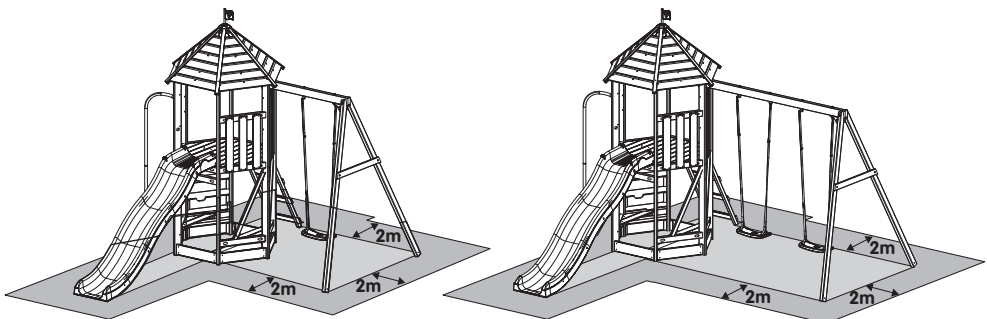
REMOVE ALL PACKAGING BEFORE GIVING TO YOUR CHILDREN. ANCHORS THAT ARE SUPPLIED WITH THIS PRODUCT MUST BE FITTED BEFORE USE. THIS PRODUCT IS INTENDED FOR USE BY CHILDREN FROM AGES 3+ YEARS. MAXIMUM USER WEIGHT UP TO 60KGS PER SEAT.



Robovision Ltd t/a TP Toys
Unit 11, Enterprise Way, Flitwick, Bedfordshire, MK45 5BX England
www.tptoys.com

Important advice for assembly, maintenance and safe use

1. Toys must be assembled by an adult before use exactly in accordance with the instructions.
2. Check all parts are present before you start to assemble the product.
3. Place small parts on a tray or similar, to ensure they are not lost.
4. If any parts are missing do not use the product until the replacement parts are fitted.
5. Remove all packaging before giving to your children or allowing them to play with this product.
6. Ensure your product is sited on level ground. Failure to do this may put additional stress on connections and joints and in time could cause them to fail.
7. Ensure your product is located on a soft impact surface like grass. Never locate your product on hard surfaces like concrete or asphalt.
8. Avoid locating this product in full sun.
9. Children must not use this product until properly installed.
10. Adult supervision is required at all times to ensure children play safely. Ensure children's clothing is appropriate for the play activity.
11. When fitting swinging toys it is vital that no parts have metal to metal contact.
12. Equipment should be checked by an adult at the beginning of each season and at regular intervals during the usage season to ensure it is safe.
13. Children should be instructed not to pass in front of or behind moving swings.
14. They should not twist on a swing seat. Children should not get on or off a swinging toy when it is in motion.
15. With swings, particular attention should be paid to suspensions systems, ropes and all fixings. Ropes degrade over time and should be replaced as required.
16. Pay special attention to all connections and fastenings.
17. Parts may need to be replaced if they show signs of wear and tear. Replace any defective parts in accordance with these instructions.
18. Take care in wet weather. Toys can become slippery.
19. In freezing weather, detachable plastic parts should be stored inside.
20. Any changes to this toy, e.g. changing or adding an accessory, must be done in accordance with our instructions. Failure to do this will render your guarantee null and void and may make your product unsafe.
21. The age recommendation for this product is clearly stated on the packaging and these instructions. Please adhere to it at all times.
22. When you dispose of this equipment please do so responsibly.

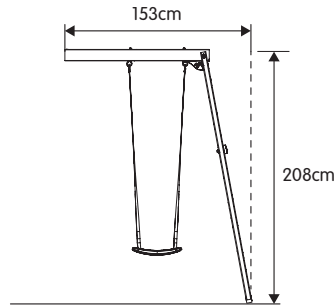
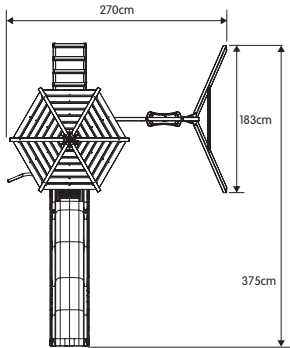


Safe play free space area

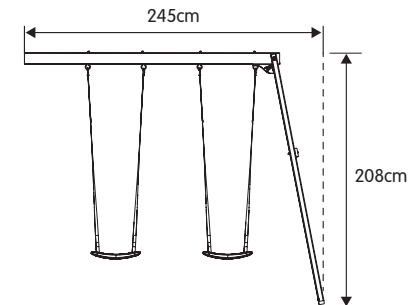
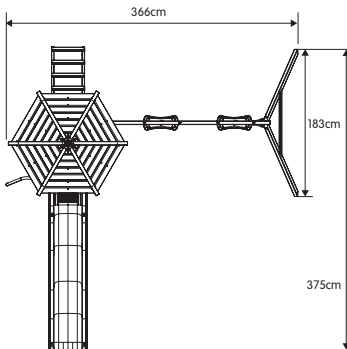
The safe play area refers to the zone extending 200cm around the toys on all sides and 250cm above the toy. The safe play area must be free from all obstacles.

Dimensions

TP338



TP335



Know About Wood

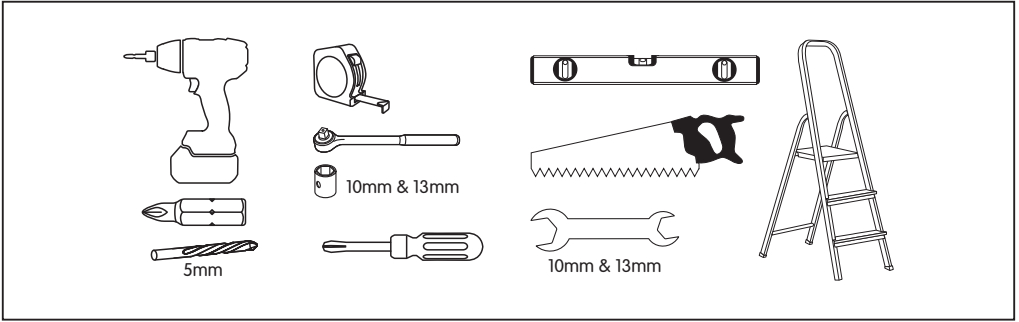
Unlike steel, wood is a natural, organic material and each piece will be unique, bearing its own knots, cracks and variations in colour and, unlike steel, wood will react significantly to changes in atmospheric conditions.

Wood will expand and contract as fluctuations of temperature and humidity affect the water content of the cell structure. In warm sunny weather it will shrink and in wet weather it will expand. As these physical changes do not, necessarily, take place uniformly throughout a piece of wood, forces are set up which cause cracks and splits to arise.

It is not necessary to stain your Wooden frame.

It is made from selected wood which has been pressure treated. This is a process by which preservatives are forced under pressure into the fabric of the timber to protect it from decay and insect damage.

If you do wish to stain your Wooden frame for aesthetic reasons, please use a water-based stain, which is available from any good DIY store.



TP338 Castlewood Single Wooden Swing Arm

Pack 1

MW1235 2260mm **x2**

MW1226 835mm **x1**

MW1018 1168mm **x1**

MW2054 926mm **x2**

SP3338

4.5 x 50mm FA9705 **x2**

M8 x 70mm FA8439 **x4**

M6 x 70mm FA5170 **x4**

M8 x 140mm FA6203 **x1**

M8 x 170mm FA8645 **x1**

M6 x 20mm FA5094 **x4**

M6 FA5192 **x4**

M8 x 25mm FA7184 **x12**

M8 FA8163 **x2**

M8 FA5174 **x2**

PR7691 **x1**

M8 FA9774 **x2**

PM2001 **x2**

PR9554 **x1**

0 10 20 30 40 50 60 70 80 90 100 110 120
mm

TP335 Castlewood Double Wooden Swing Arm

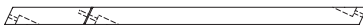
Pack 1



MWI235 2260mm **x2**



MWI226 835mm **x1**

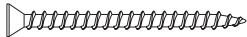


MW2054 926mm **x2**

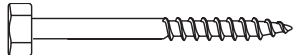


MWI950 2100mm **x1**

SP3335



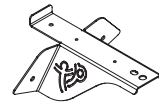
4.5 x 50mm FA9705 **x2**



M8 x 70mm FA8439 **x4**



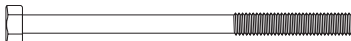
M8 x 30mm FA5124 **x2**



PR7691 **x1**



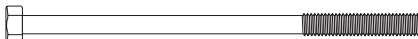
M6 x 70mm FA5170 **x4**



M8 x 140mm FA6203 **x1**



M8
FA9774 **x4**



M8 x 170mm FA8645 **x1**



PM2001 **x2**



M6 x 20mm
FA5094
x4



M6
FA5192
x4



M8 x 25mm
FA7184
x14



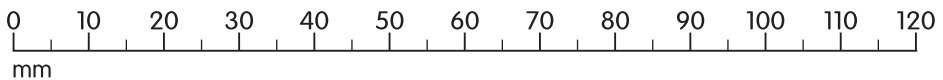
M8
FA8163
x4



M8
FA5174
x2



PR9554
x1

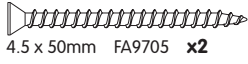


1

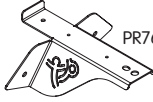
TP338 Single Swing Arm



MW1018 1168mm x1



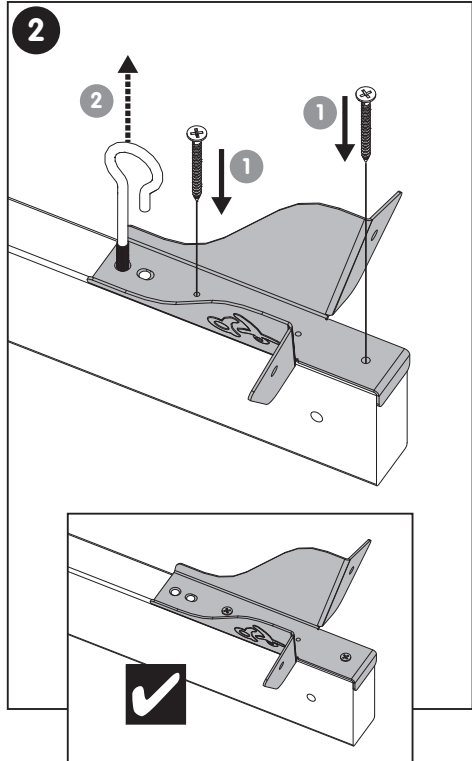
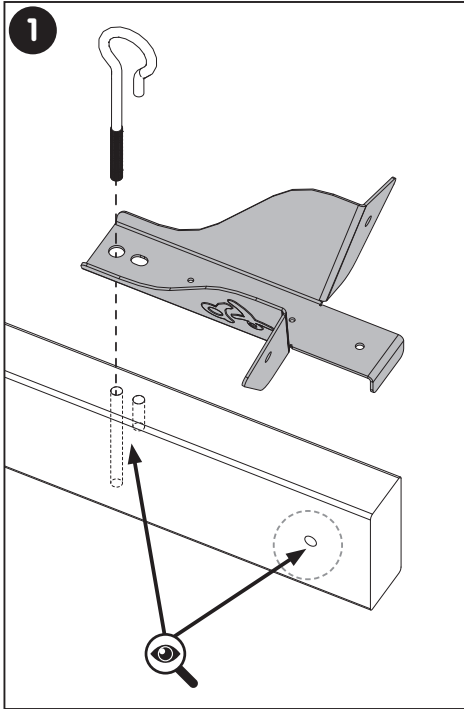
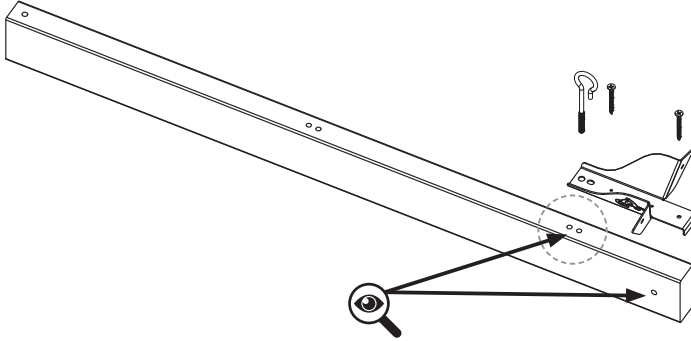
4.5 x 50mm FA9705 x2



PR7691 x1



M8
FA9774 x1



TP Castlewood Single/Double Wooden Swing Arm

6

1

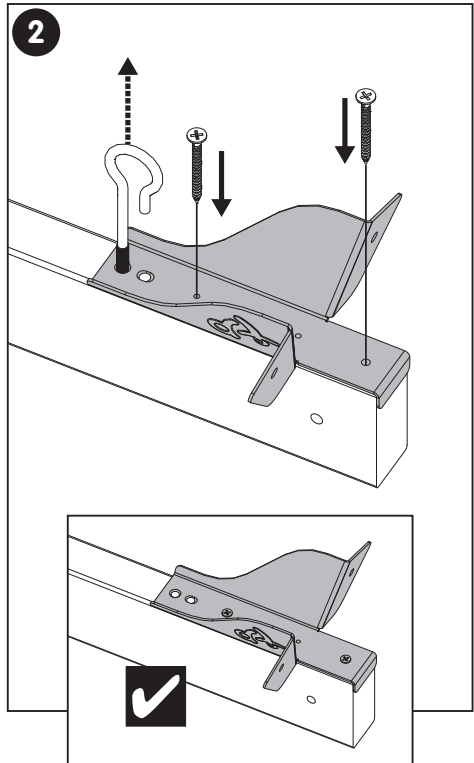
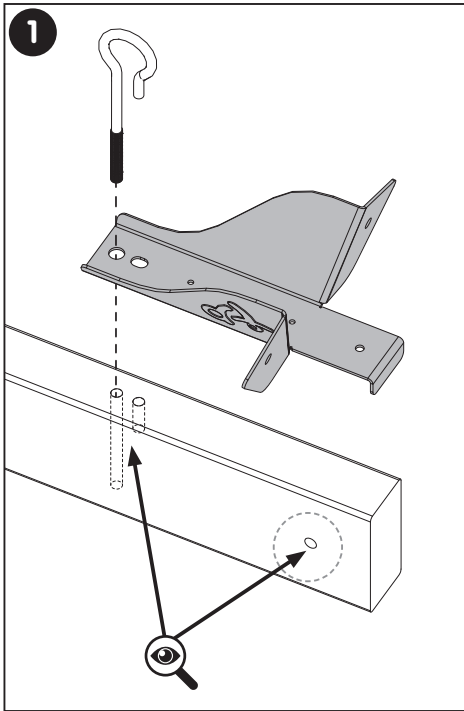
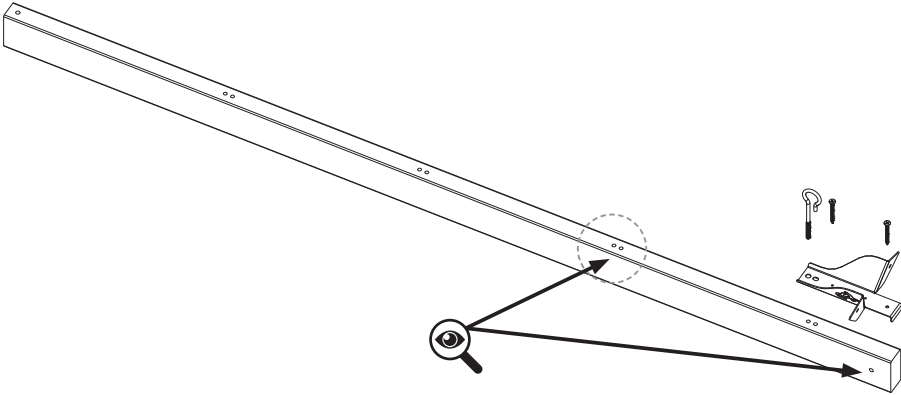
TP335 Double Swing Arm

MW1950 2100mm x1

4.5 x 50mm FA9705 x2

PR7691 x1

M8 FA9774 x1

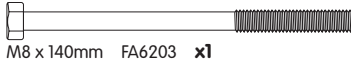


TP Castlewood Single/Double Wooden Swing Arm

7

2

MW1235 2260mm x2



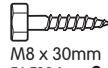
M8 x 140mm FA6203 x1



M8 x 25mm
FA7184
x4

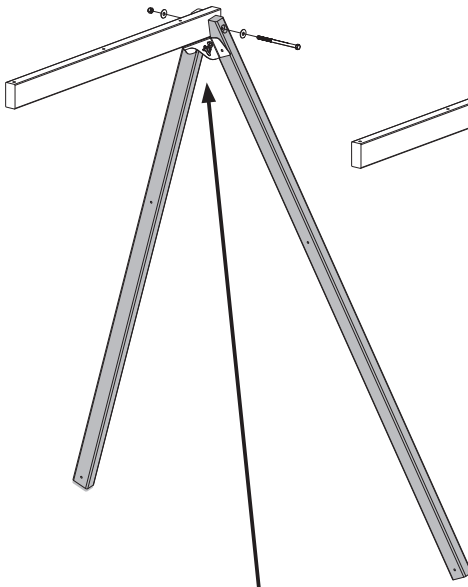


M8
FA5174
x1

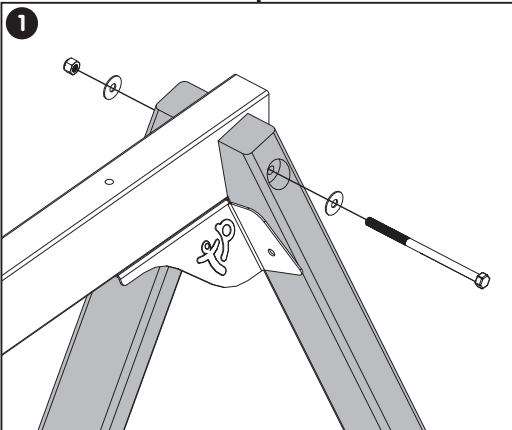


M8 x 30mm
FA5124 x2

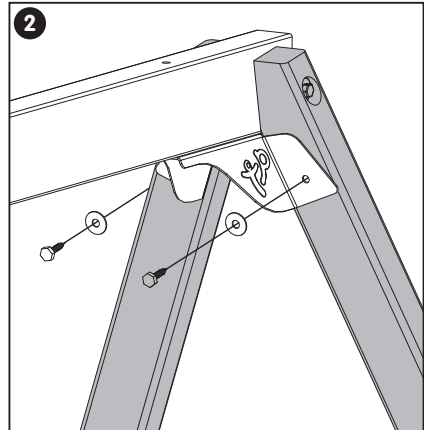
TP338 Single Swing Arm



TP335 Double Swing Arm



1

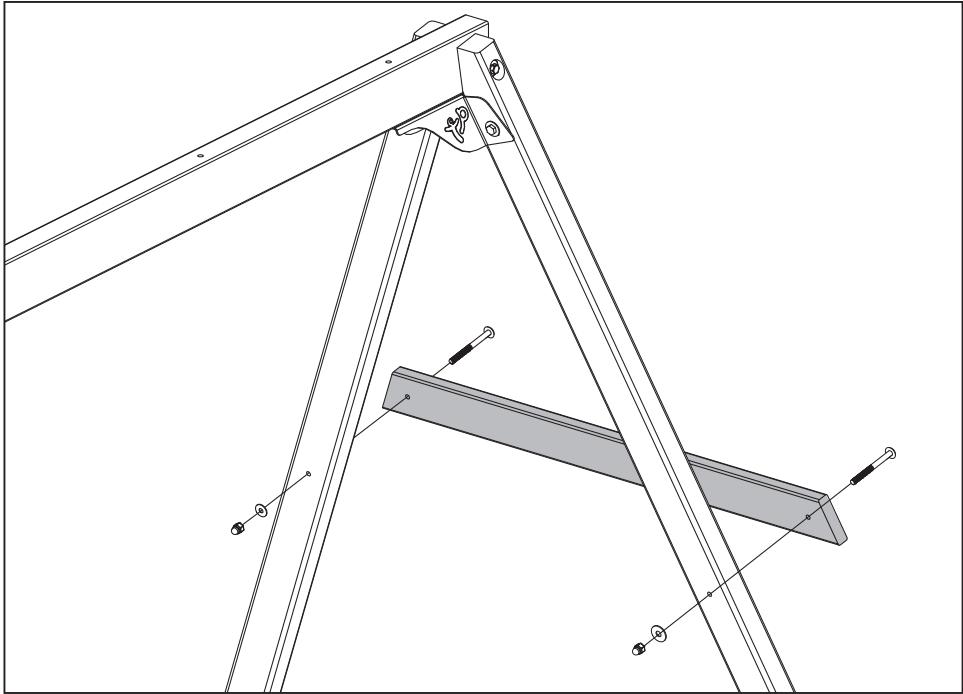
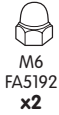


2

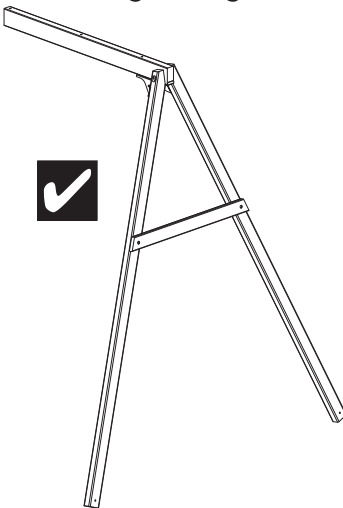
8

TP Castlewood Single/Double Wooden Swing Arm

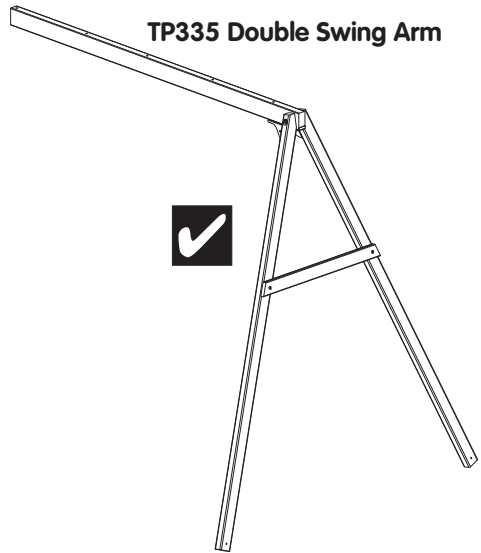
3



TP338 Single Swing Arm

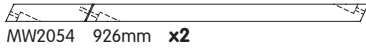


TP335 Double Swing Arm



TP Castlewood Single/Double Wooden Swing Arm

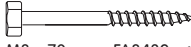
4



MW2054 926mm x2

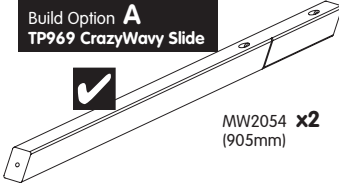


M8 x 25mm
FA7184
x4



M8 x 70mm FA8439 x4

Build Option **A**
TP969 CrazyWavy Slide

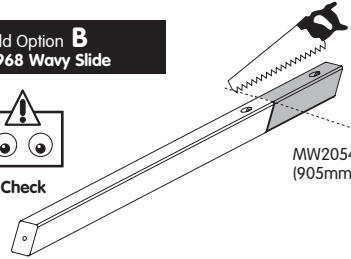


MW2054 x2
(905mm)

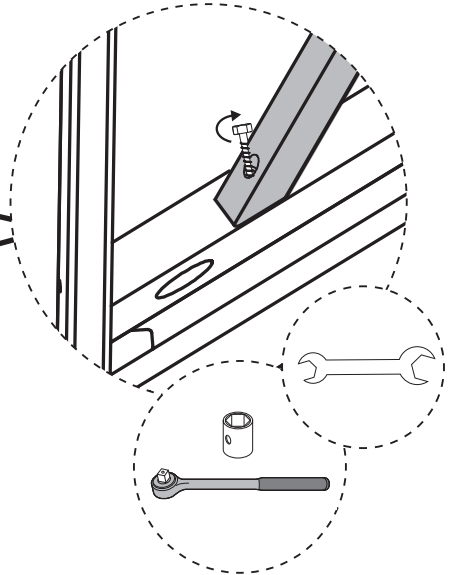
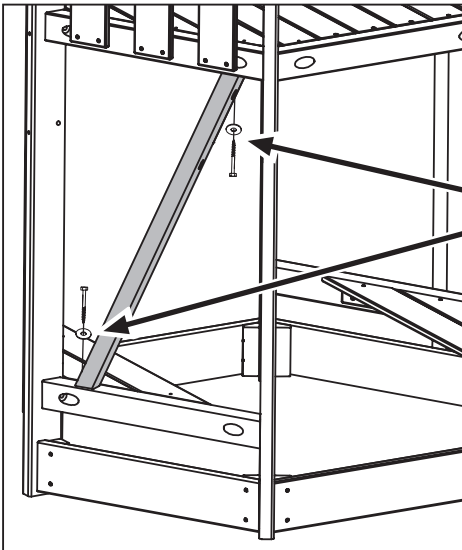
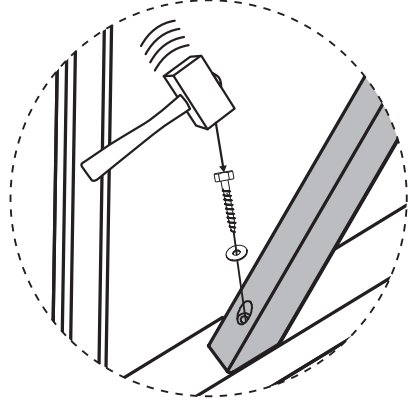
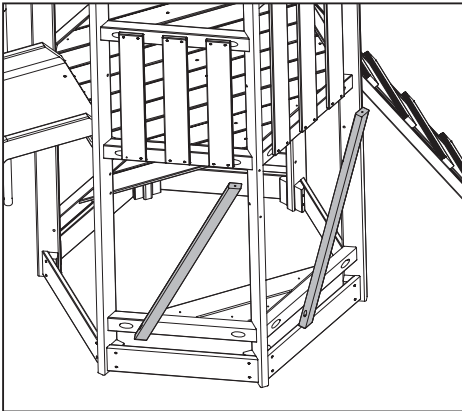
Build Option **B**
TP968 Wavy Slide



Check



MW2054 x2
(905mm)

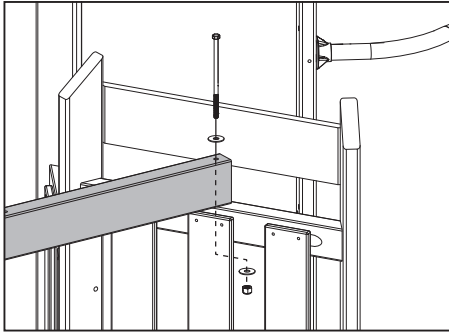


5

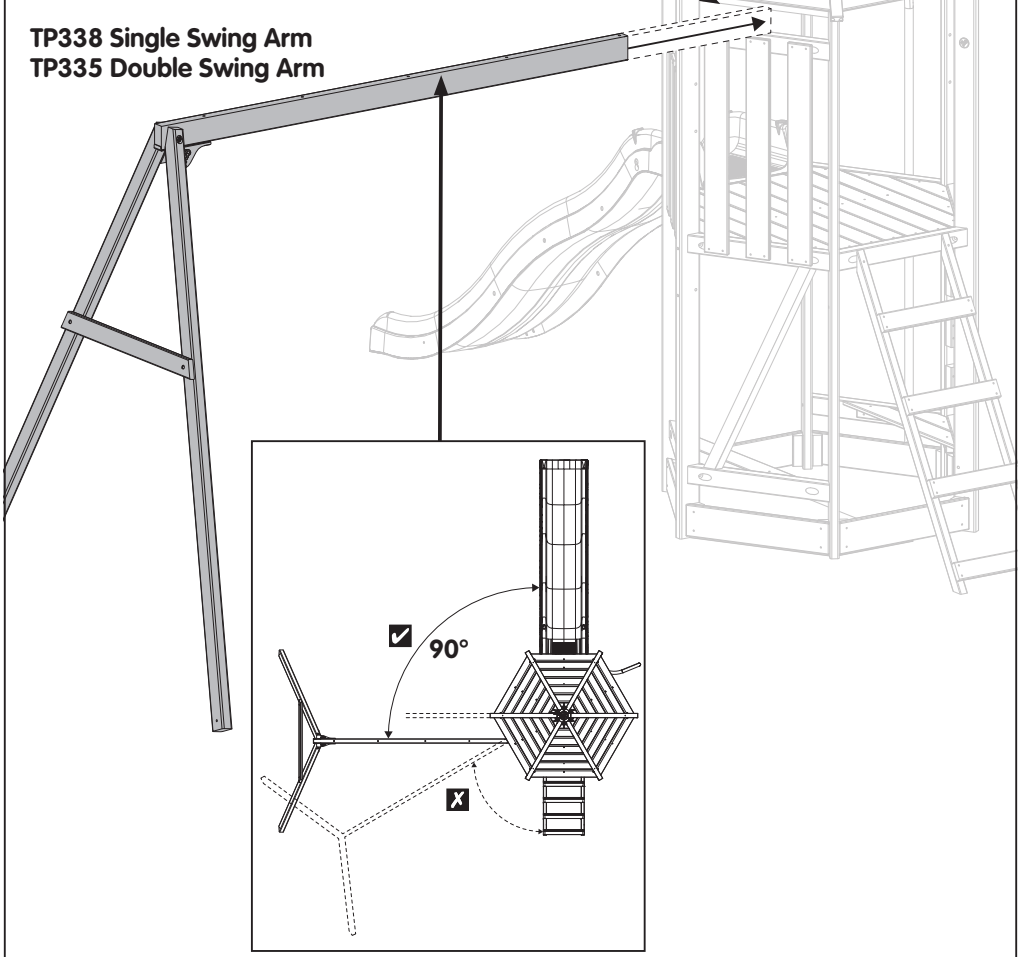
M8 x 170mm FA8645 x1

M8 x 25mm
FA7184
x2

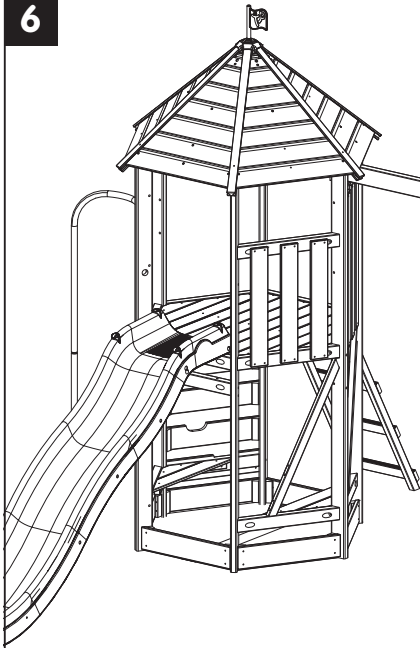
M8
FA5174
x1







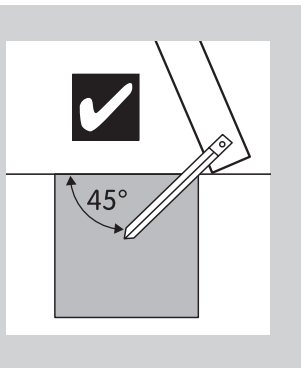
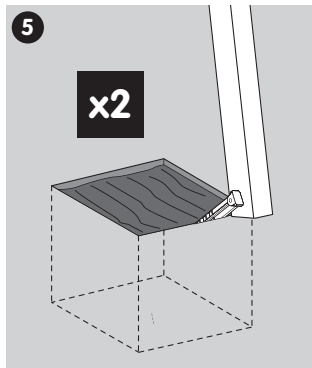
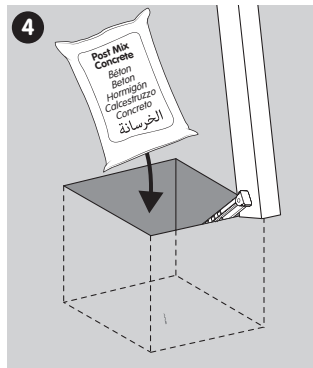
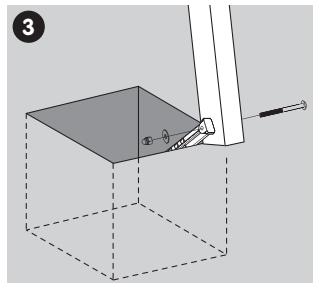
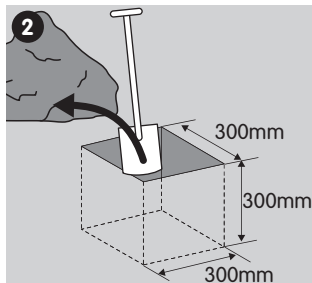
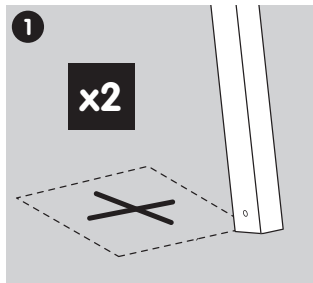
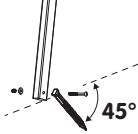
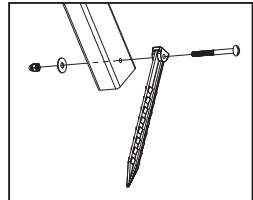
TP338 Single Swing Arm
TP335 Double Swing Arm



6



 PM2001 x2	 M6 FA5192 x2	 M6 x 20mm FA5094 x2
 M6 x 70mm FA5170 x2		



7

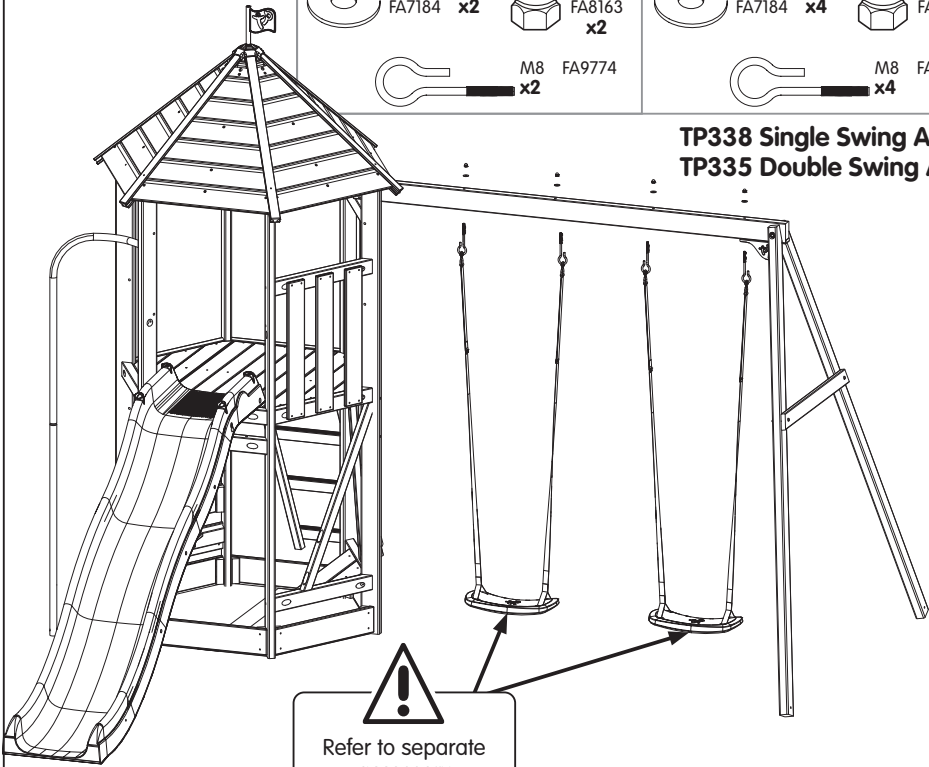
TP338 Castlewood Single Wooden Swing Arm



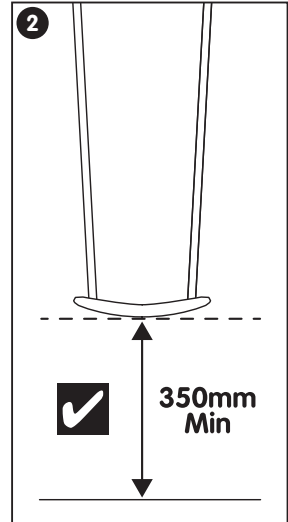
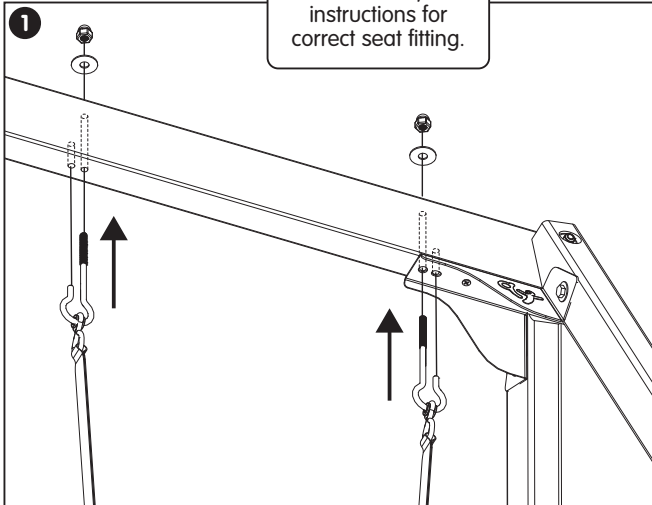
TP335 Castlewood Double Wooden Swing Arm



TP338 Single Swing Arm or TP335 Double Swing Arm




Refer to separate
accessory
instructions for
correct seat fitting.





Thank you

Thank you for purchasing this product.

Please register your new product on line at tptoys.com

www.tptoys.com/customer/productregistration

Find out about the guarantee for this product,

visit **www.tptoys.com/customer/pages/guaranteeinformation**

For customer services and help with your product,

visit **www.tptoys.com/customer/help**

Your TP Guarantee Number/Product Batch No is