

TP476 TP Kingswood2 Tower



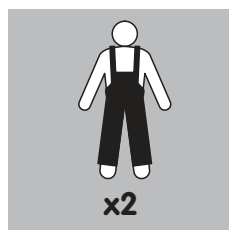
Instructions for assembly, maintenance and safe use.
Please retain for future reference.



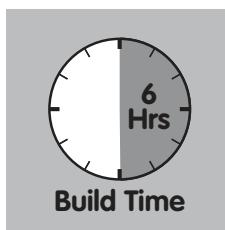
Shown with TP997 3m Slide
(Sold as an optional extra)

WARNINGS!

THIS PRODUCT CONTAINS SMALL PARTS AND IS NOT SUITABLE FOR CHILDREN UNDER 36 MONTHS.
CONTAINS SMALL PARTS. CHOKING HAZARD.
ONLY FOR DOMESTIC USE. FOR OUTDOOR USE.
TOY MUST BE ASSEMBLED BY AN ADULT BEFORE USE.
ADULT SUPERVISION IS REQUIRED
CHILDREN MUST NOT USE THE EQUIPMENT UNTIL PROPERLY INSTALLED.
REMOVE ALL PACKAGING BEFORE GIVING TO YOUR CHILDREN.
THIS PRODUCT IS INTENDED FOR USE BY CHILDREN FROM AGES 3 TO 14 YEARS.
ANCHORS THAT ARE SUPPLIED WITH THIS PRODUCT MUST BE FITTED BEFORE USE.
MAXIMUM COMBINED USER WEIGHT 250KGS



x2



Build Time



Robovision Ltd t/a TP Toys

Unit 11, Enterprise Way, Flitwick, Bedfordshire, MK45 5BX England

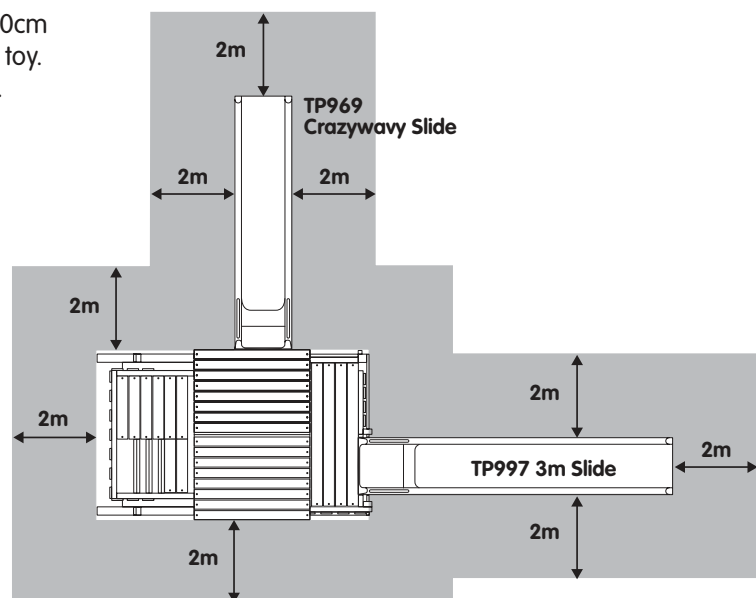
www.tptoys.com

Important advice for assembly, maintenance and safe use

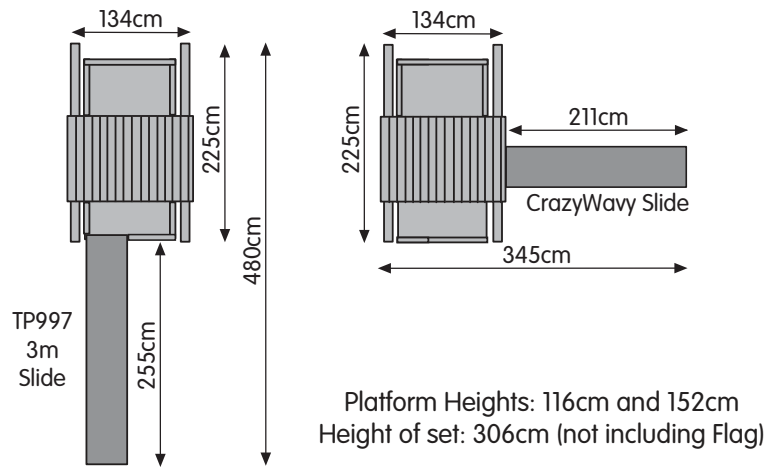
1. Toys must be assembled by an adult before use exactly in accordance with the instructions.
2. Check all parts are present before you start to assemble the product.
3. Place small parts on a tray or similar, to ensure they are not lost.
4. If any parts are missing do not use the product until the replacement parts are fitted.
5. Remove all packaging before giving to your children or allowing them to play with this product.
6. Ensure your product is sited on level ground. Failure to do this may put additional stress on connections and joints and in time could cause them to fail.
7. Ensure your product is located on a soft impact surface like grass. Never locate your product on hard surfaces like concrete or asphalt.
8. Children must not use this product until properly installed.
9. Adult supervision is required at all times to ensure children play safely. Ensure children's clothing is appropriate for the play activity.
10. Equipment should be checked by an adult at the beginning of each season and at regular intervals during the usage season to ensure it is safe.
11. Pay special attention to all connections and fastenings.
12. Parts may need to be replaced if they show signs of wear and tear. Replace any defective parts in accordance with these instructions.
13. Any changes to this toy, e.g. changing or adding an accessory, must be done in accordance with our instructions. Failure to do this will render your guarantee null and void and may make your product unsafe.
14. The age recommendation for this product is clearly stated on the packaging and these instructions. Please adhere to it at all times.
15. When you dispose of this equipment please do so responsibly.

Safe play free space area

The safe play area refers to the zone extending 200cm around the toys on all sides and 250cm above the toy. The safe play area must be free from all obstacles.



Dimensions



Know About Wood

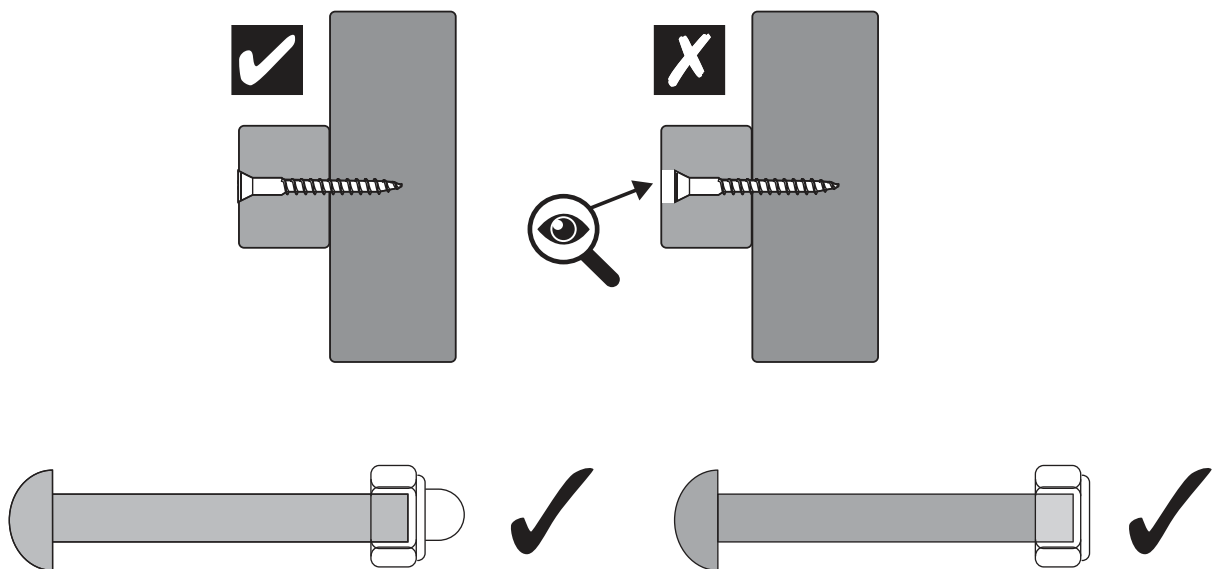
Unlike steel, wood is a natural, organic material and each piece will be unique, bearing its own knots, cracks and variations in colour and, unlike steel, wood will react significantly to changes in atmospheric conditions.

Wood will expand and contract as fluctuations of temperature and humidity affect the water content of the cell structure. In warm sunny weather it will shrink and in wet weather it will expand. As these physical changes do not, necessarily, take place uniformly throughout a piece of wood, forces are set up which cause cracks and splits to arise.

It is not necessary to stain your Wooden frame.

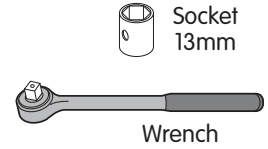
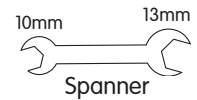
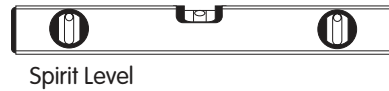
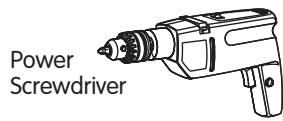
It is made from selected wood which has been pressure treated. This is a process by which preservatives are forced under pressure into the fabric of the timber to protect it from decay and insect damage.

If you do wish to stain your Wooden frame for aesthetic reasons, please use a water-based stain, which is available from any good DIY store.



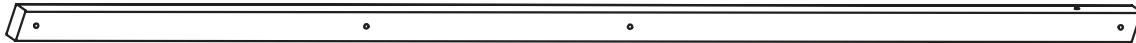
Contents - Please check

Tools - You will need:



Pack 1

MW2060 2606mm x2

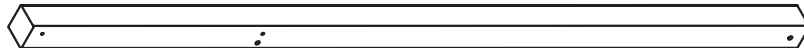


MW2062 2500mm x2

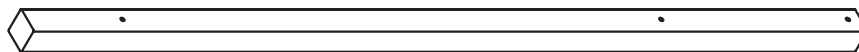


Pack 2

MW2064 2105mm x1



MW2065 2250mm x2

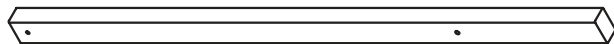


MW2104 1700mm x2

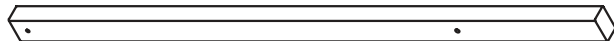


Pack 3

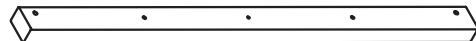
MW2067 1582mm x2



MW2068 1582mm x1



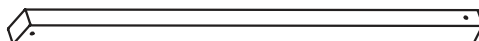
MW2070 1206mm x2



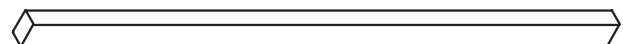
MW2071 1346mm x1



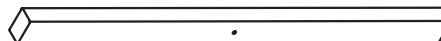
MW2072 1111mm x1



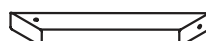
MW2073 1583mm x1



MW2074 1136mm x1



MW2081 445mm x4



MW2082 390mm x1

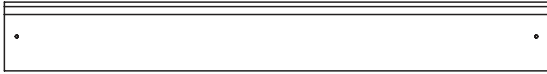


PR5069 x4

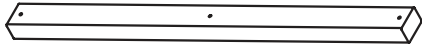


Pack 4

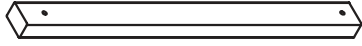
MW2014 966mm x16



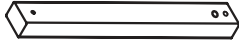
MW2069 1066mm x2



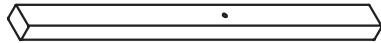
MW2075 902mm x2



MW2076 573mm x1



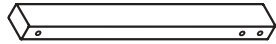
MW2077 953mm x1



MW2078 1346mm x1



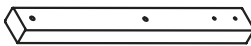
MW2079 674mm x2



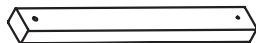
MW2080 1206mm x1



MW2083 617mm x1



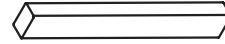
MW2084 617mm x1



MW2085 674mm x1



MW2086 532mm x1



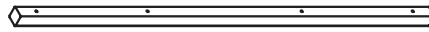
MW2088 150mm x2



MW2089 360mm x2



MW2090 1116mm x2



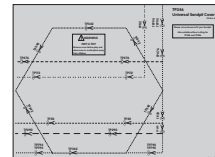
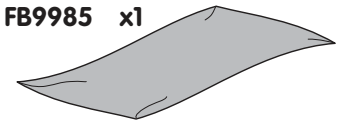
MW2094 605mm x1



MW2095 250mm x1



FB9985 x1



TP346 x1

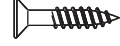
PM1007
Flag x1



PM1968 x1



4 x 16mm
FA4527 x2

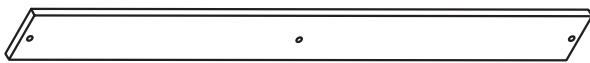


Pack 5

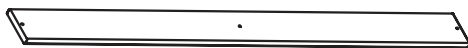
MW2023 x32



MW2029 974mm x11



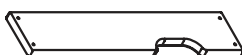
MW2091 1200mm x4



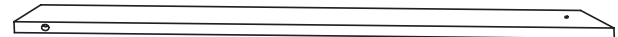
MW2092 528mm x4



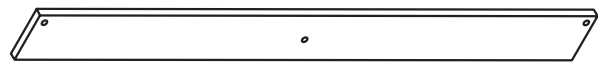
MW2093 574mm x9



MW2096 912mm x4



MW2097 974mm x1



MW2098 1115mm x2



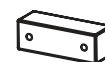
MW2100 678mm x3



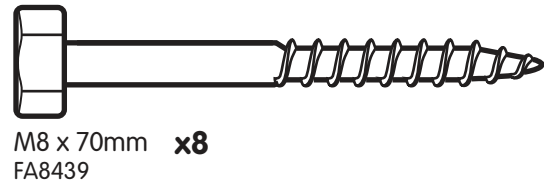
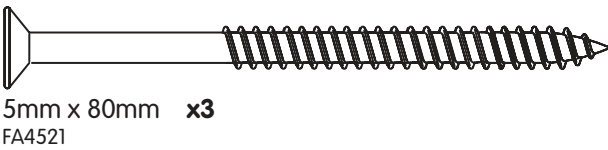
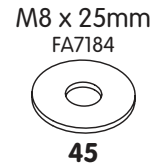
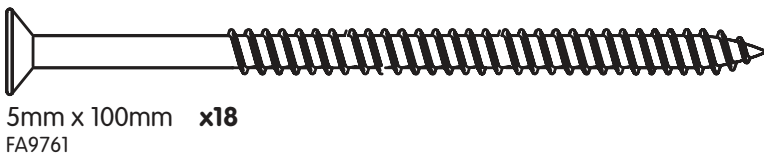
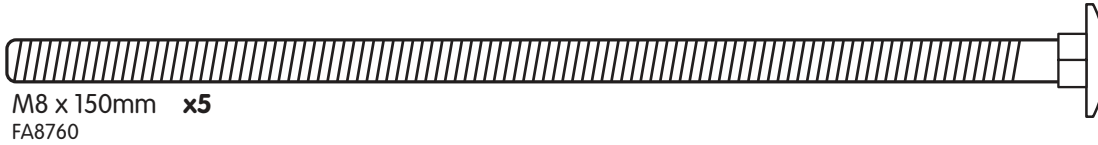
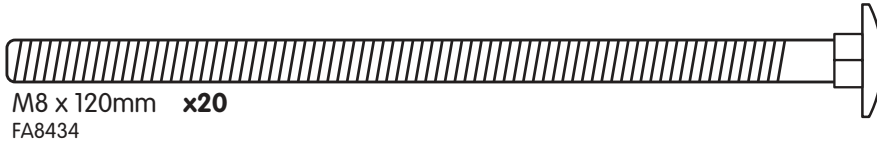
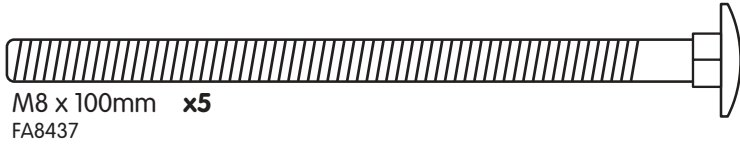
MW2101 535mm x4



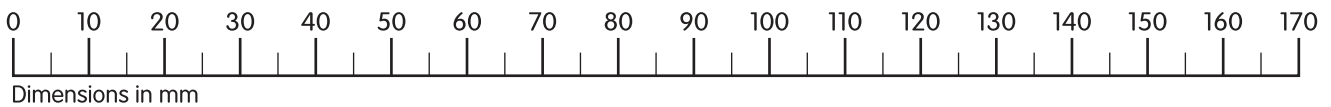
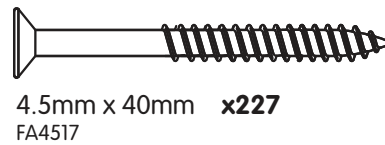
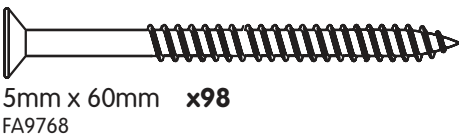
MW2103 200mm x2



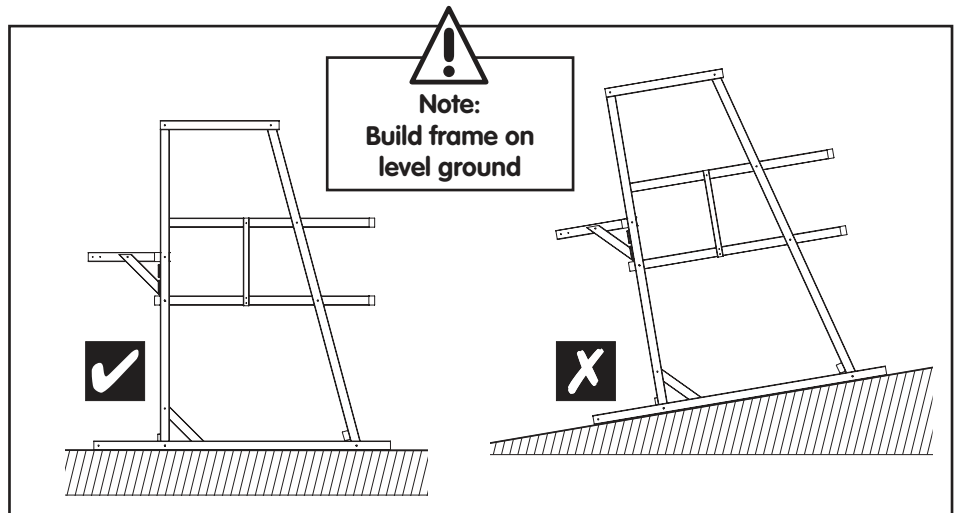
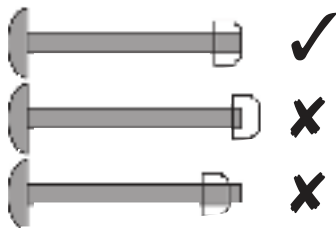
Fixings - SP4761



Fixings - SP4762



Bolt Tightening Guide

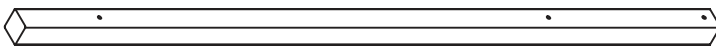


1

MW2062 2500mm x1



MW2065 2250mm x1



M8 x 150mm
FA8760 x1



M8
FA8163



x1

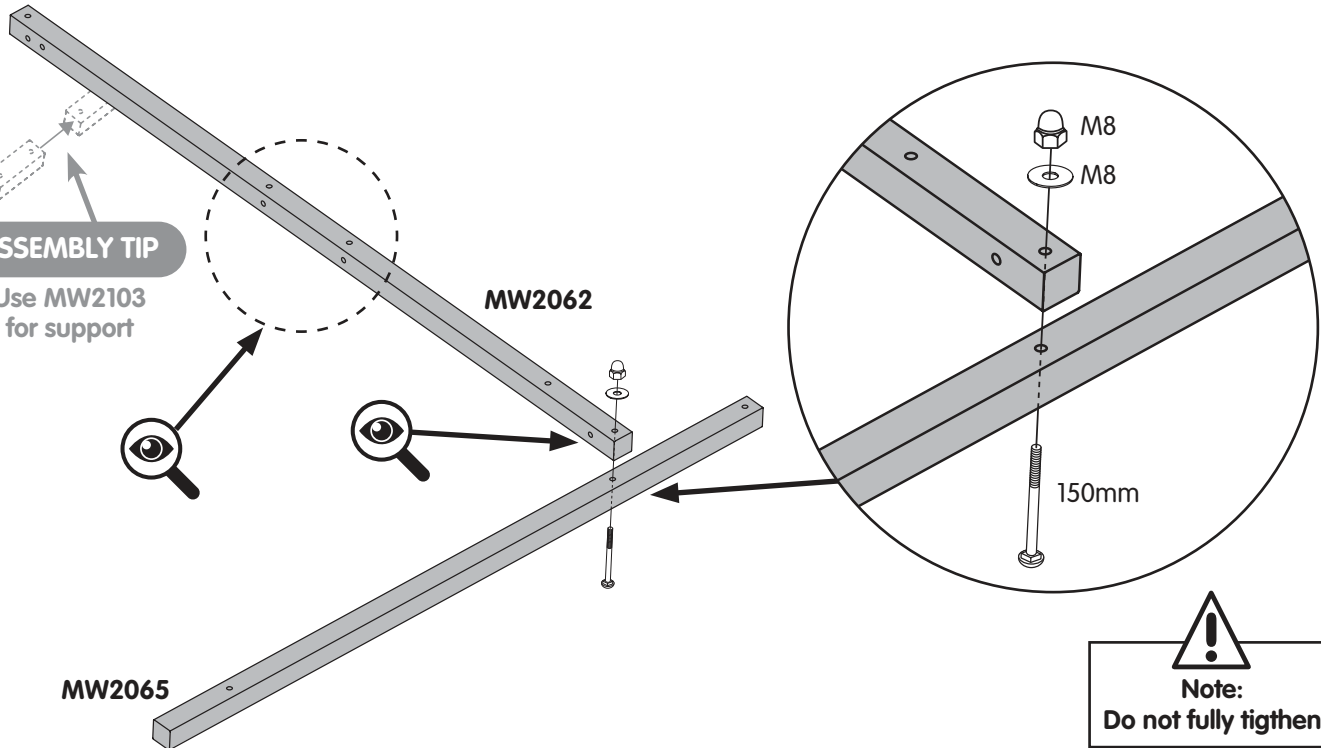
M8 x 25mm
FA7184



x1

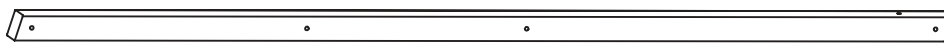
ASSEMBLY TIP

Use MW2103
for support



2

MW2060 2606mm x1



M8 x 150mm
FA8760 x1



M8
FA8163



x1

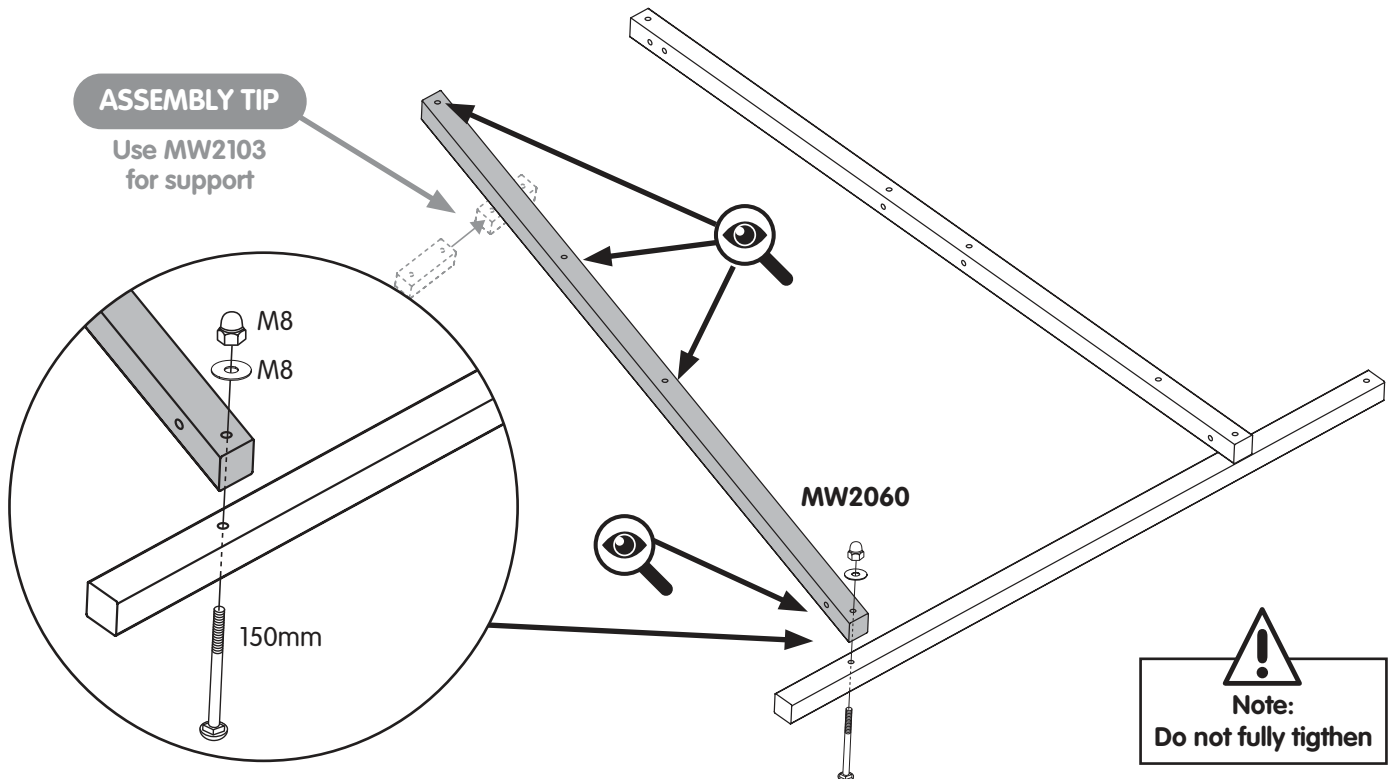
M8 x 25mm
FA7184



x1

ASSEMBLY TIP

Use MW2103
for support

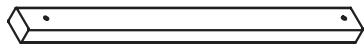


7

TP Kingswood2 Tower

3

MW2075 902mm x1



M8 x 120mm x2

FA8434

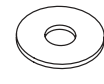


M8
FA8163

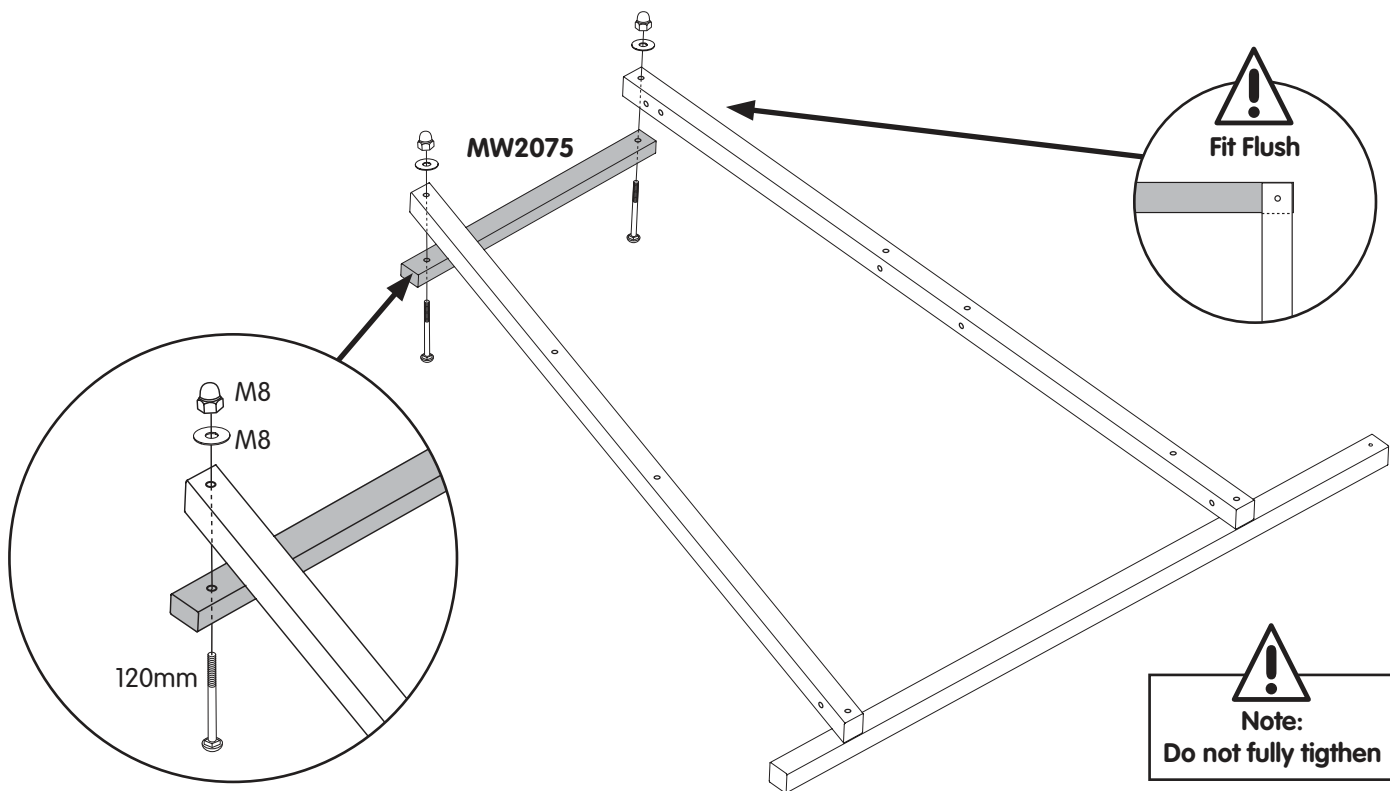


x2

M8 x 25mm
FA7184

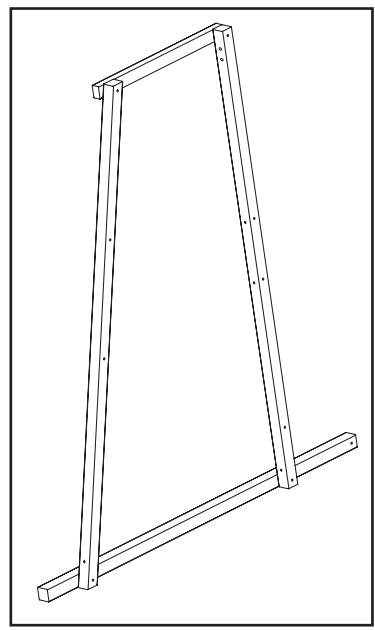
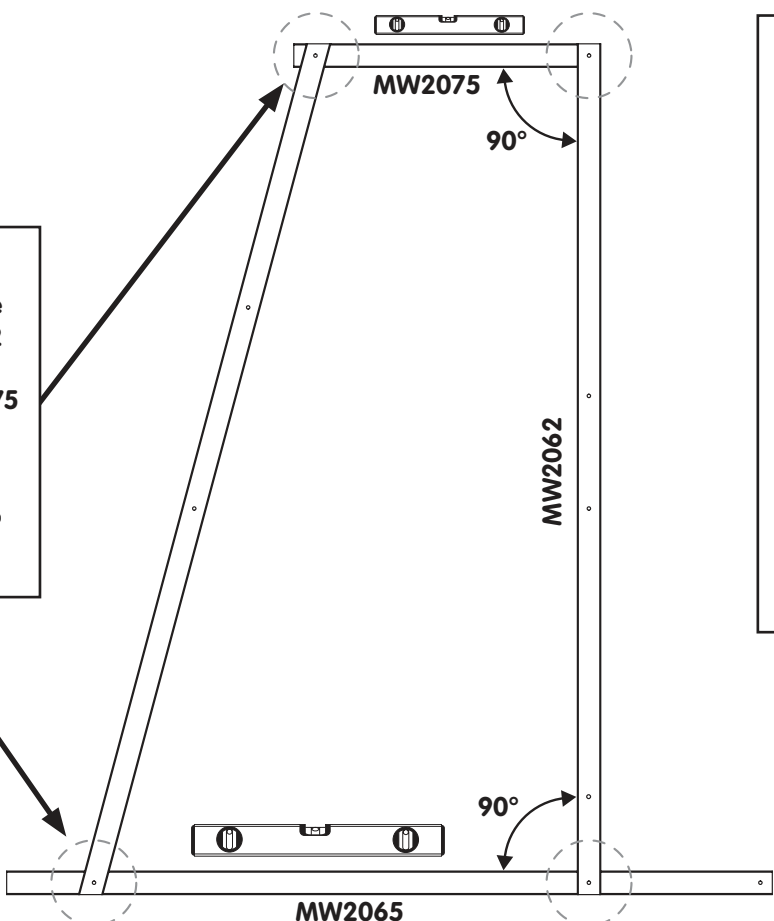


x2



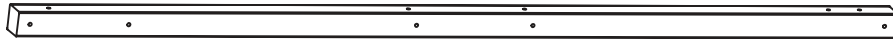
4

Note:
Fully tighten frame
ensuring MW2062
is vertical to
MW2065 & MW2075



5

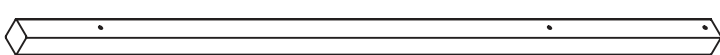
MW2062 2500mm x1



M8
FA8163

M8 x 25mm
FA7184

MW2065 2250mm x1

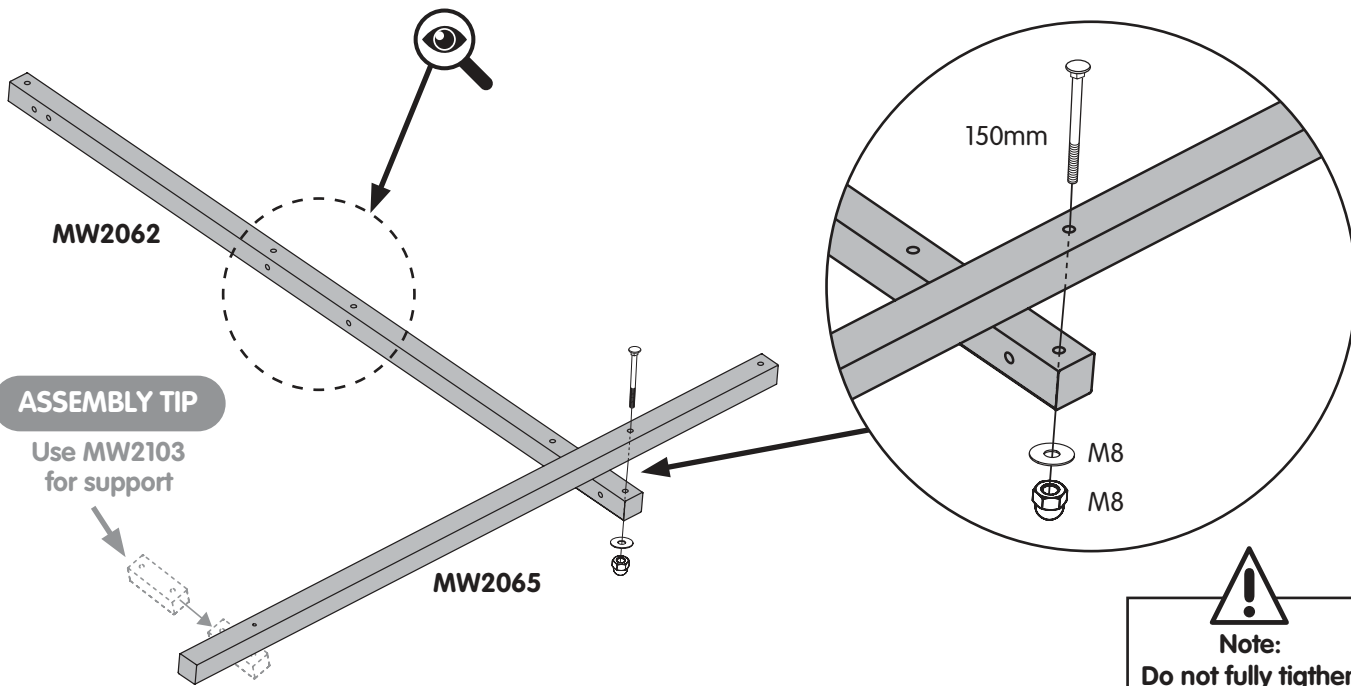


M8 x 150mm
FA8760 x1



x1

x1



6

MW2060 2606mm x1



M8
FA8163

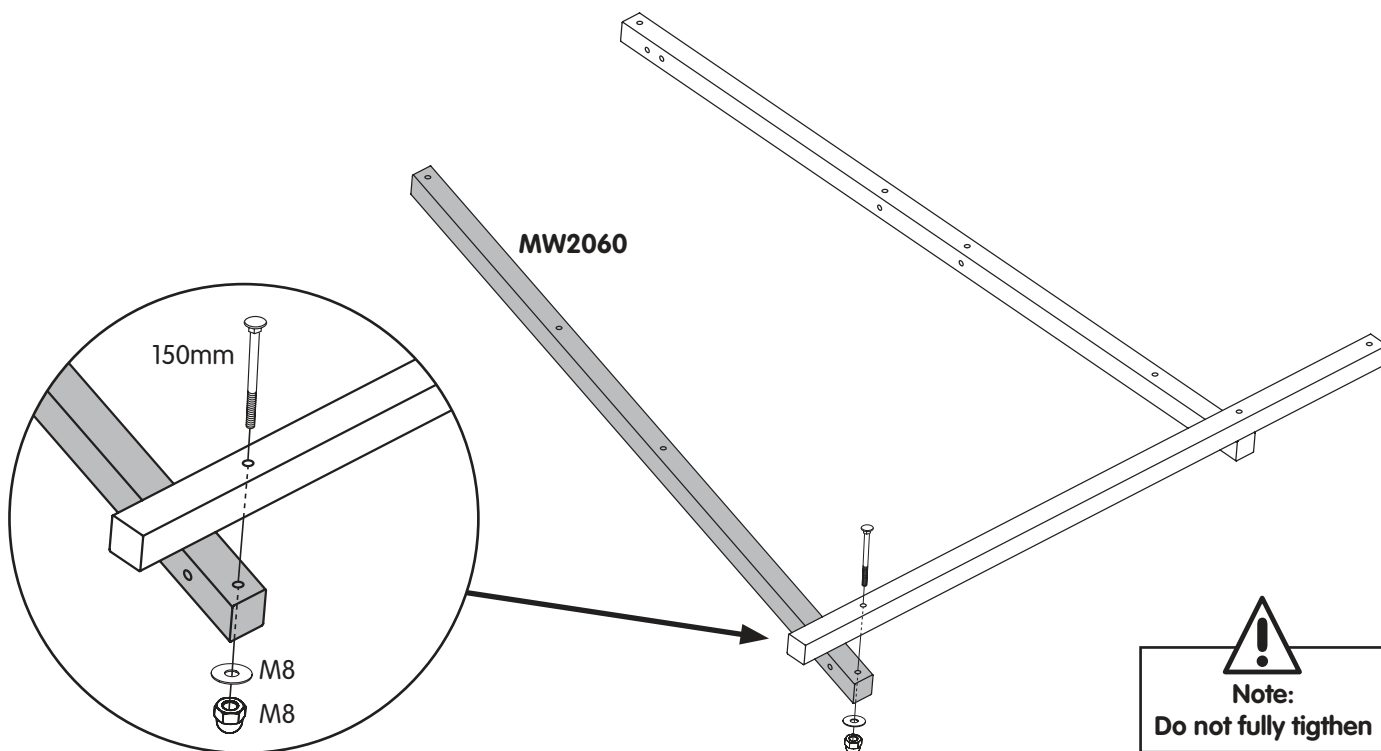
M8 x 25mm
FA7184

M8 x 150mm
FA8760 x1



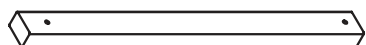
x1

x1

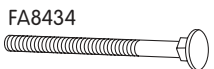


7

MW2075 902mm x1



M8 x 120mm x2



M8

FA8163



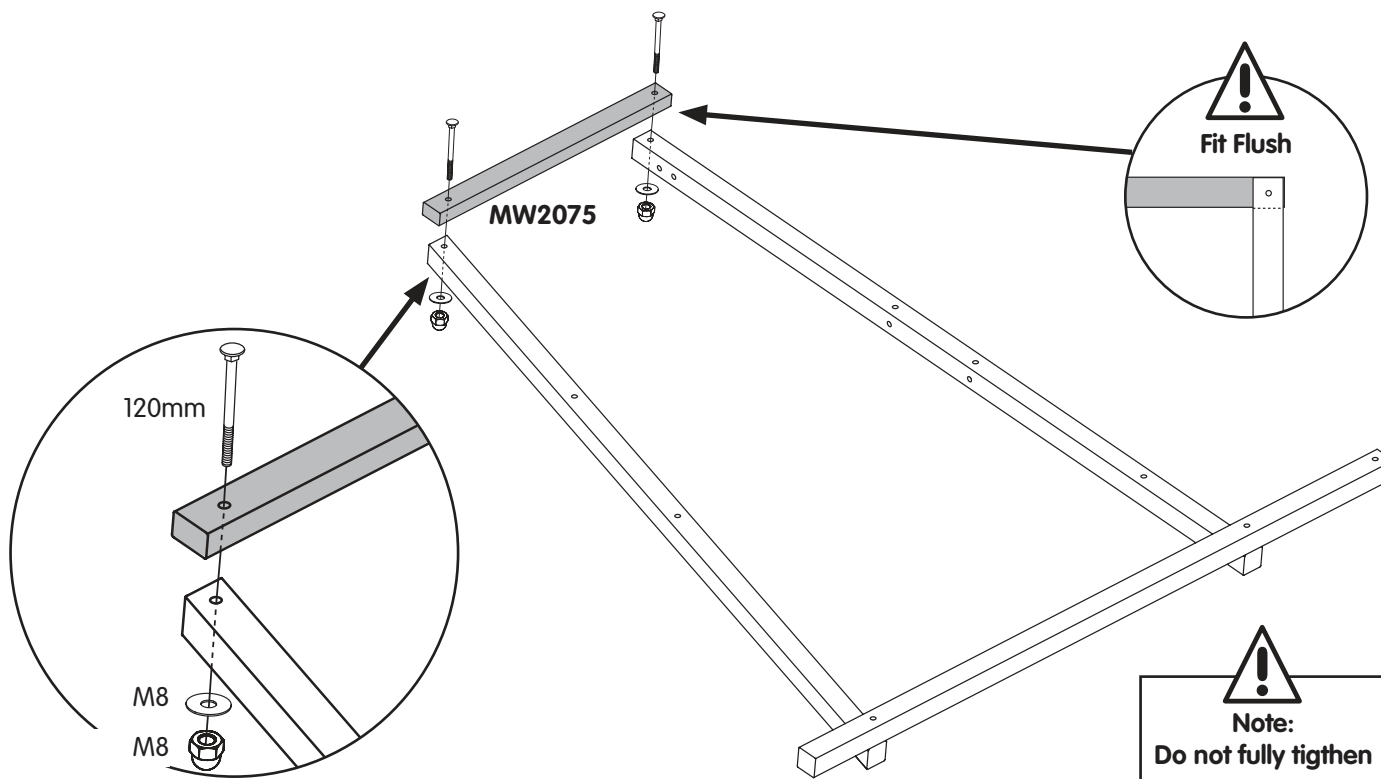
x2

M8 x 25mm

FA7184

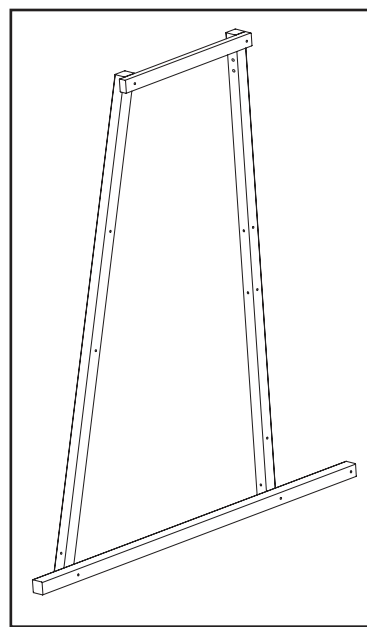
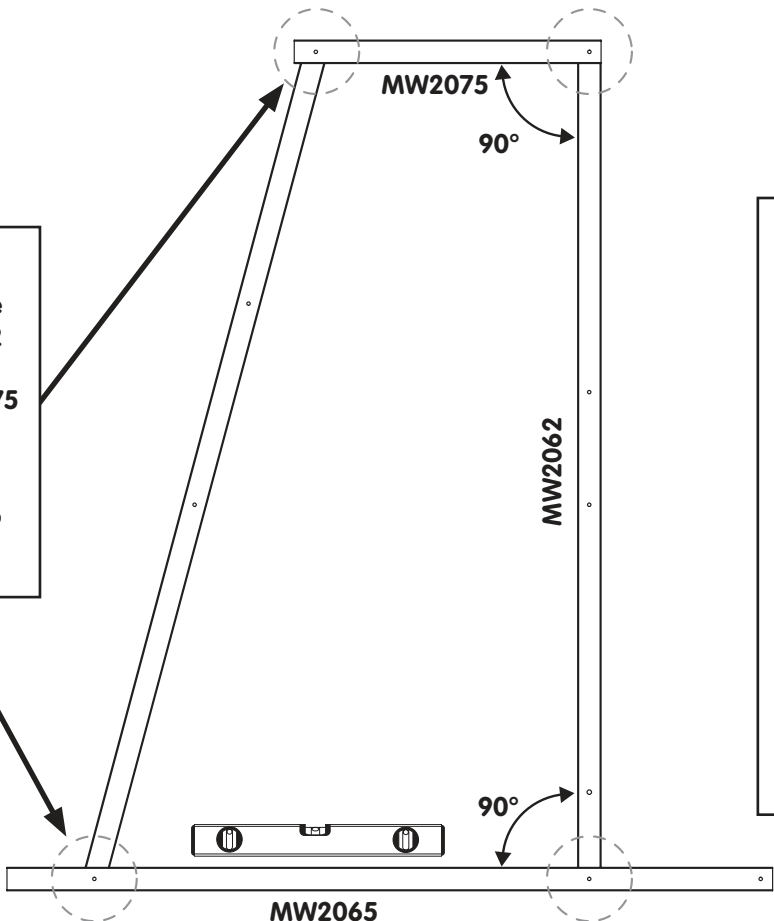


x2



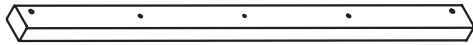
8

Note: Fully tighten frame ensuring MW2062 is vertical to MW2065 & MW2075

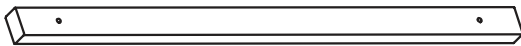


9

MW2070 1206mm x1



MW2071 1346mm x1



M8 x 120mm x4



M8

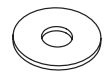
FA8163



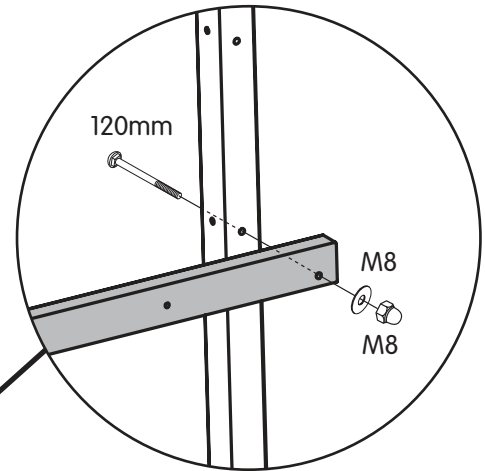
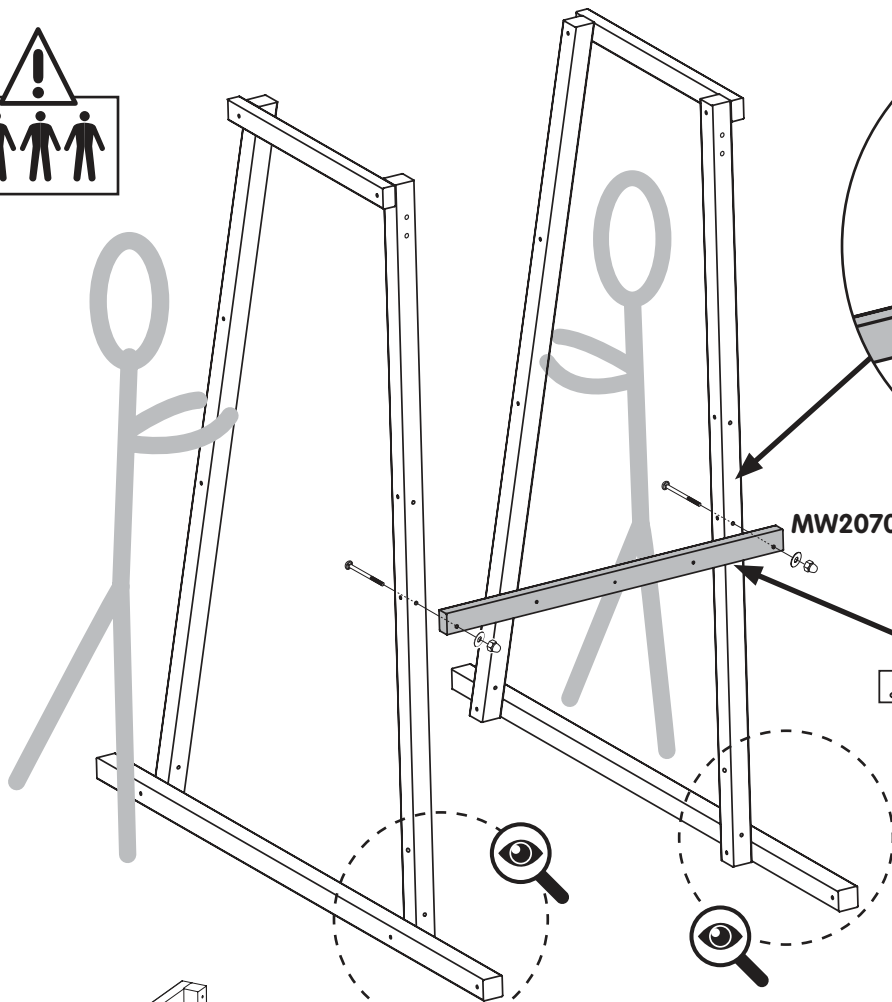
x4

M8 x 25mm

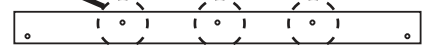
FA7184



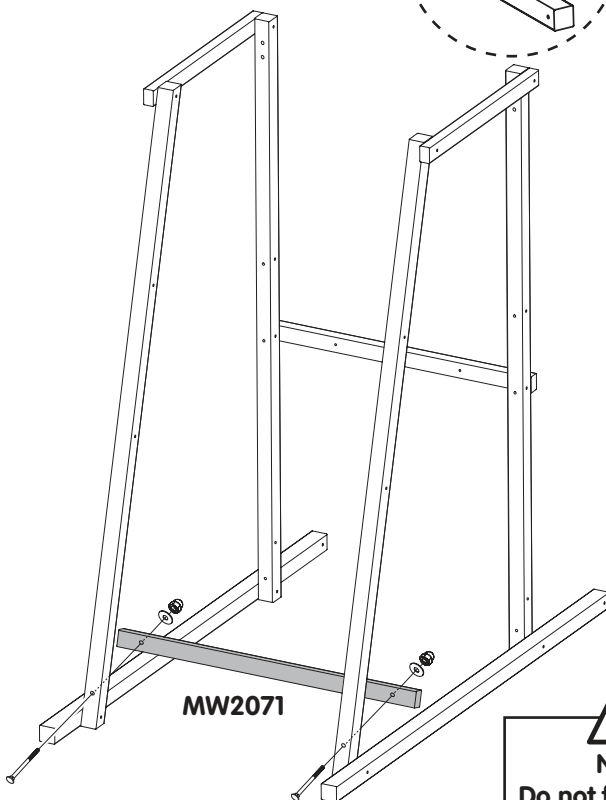
x4



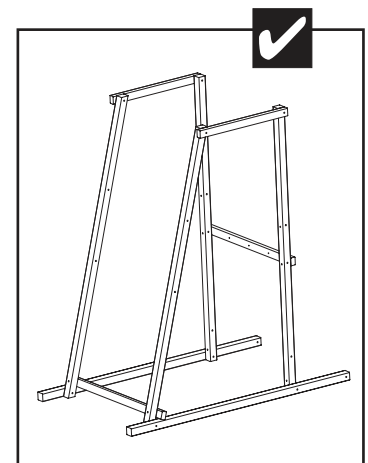

Note: 3 holes on top




Note:
Do not fully tighten

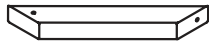



Note:
Do not fully tighten



10

MW2081 445mm x3



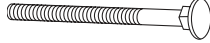
M8 x 70mm x3
FA8439



M8 x 100mm x2
FA8437



M8 x 120mm x1
FA8434



M8
FA8163

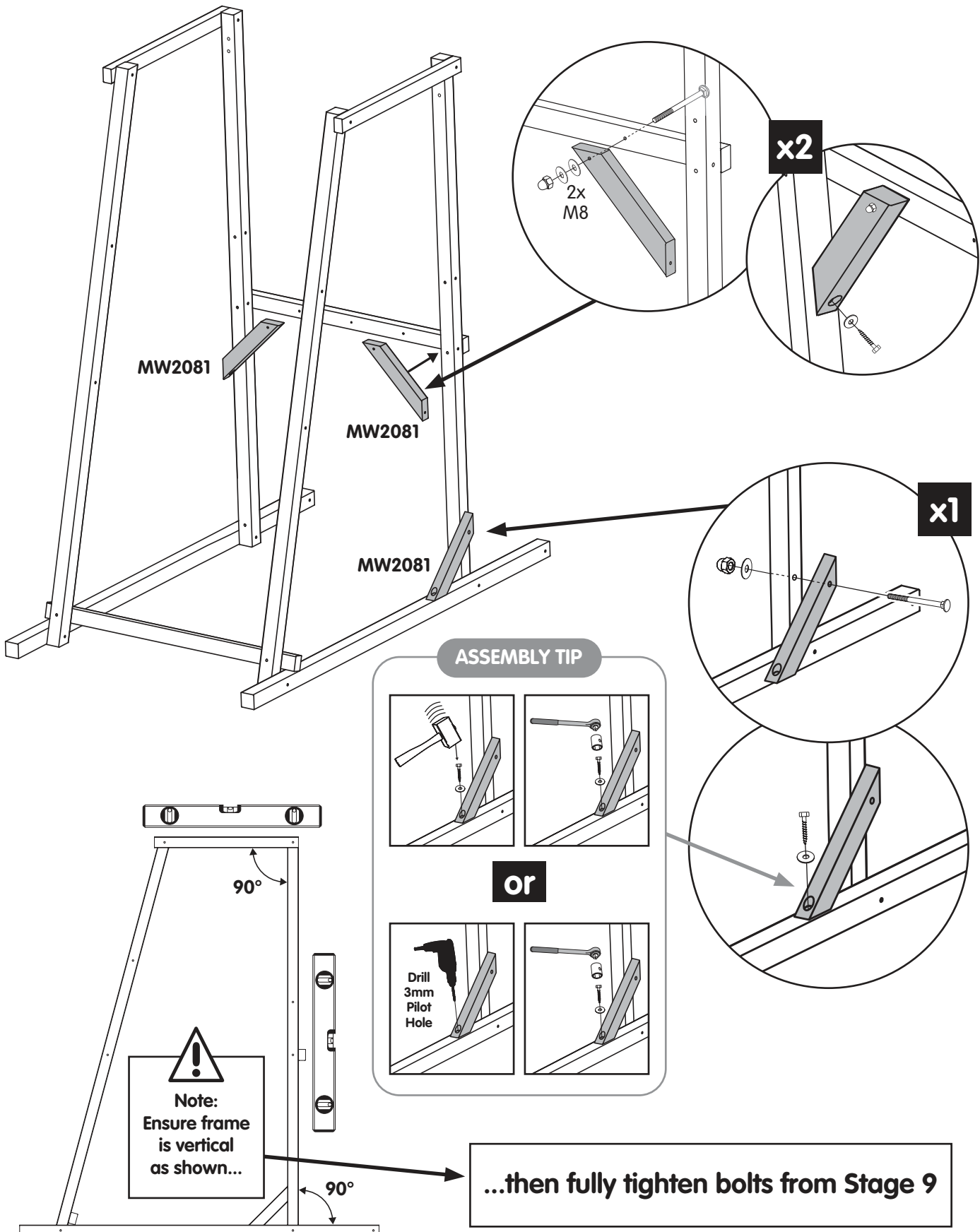


x3

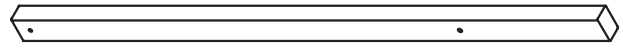
M8 x 25mm
FA7184



x8



MW2067 1582mm x2



M8 x 120mm x4
FA8434



M8
FA8163

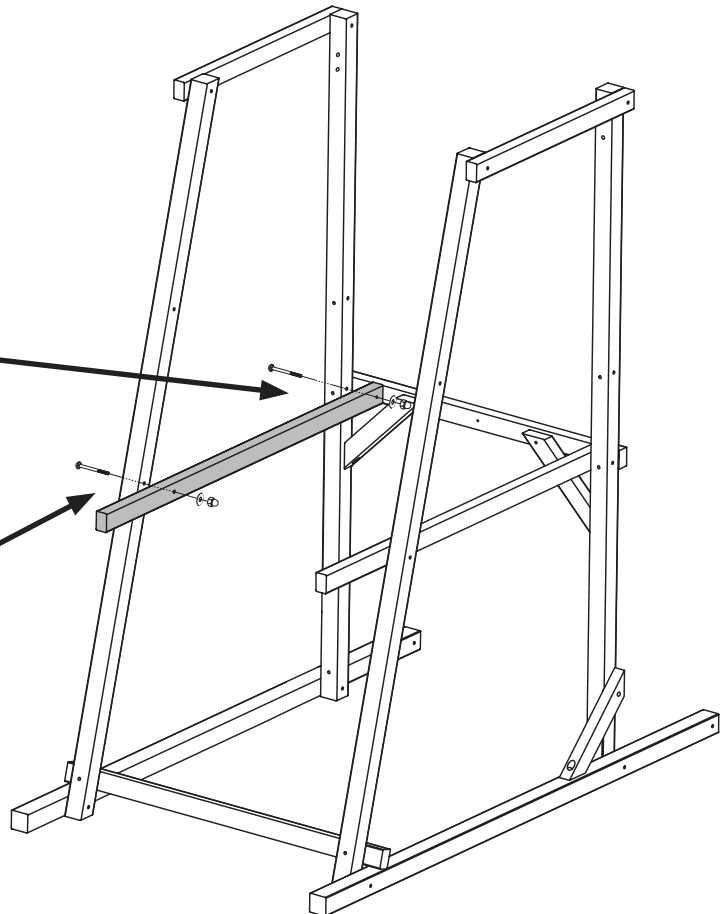
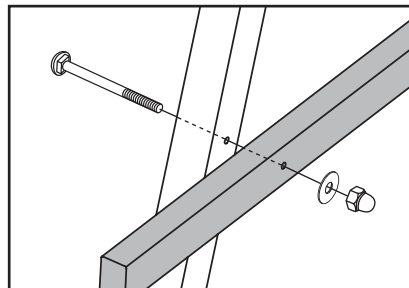
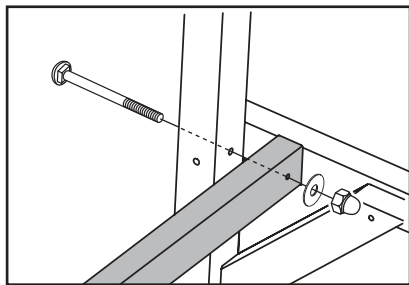
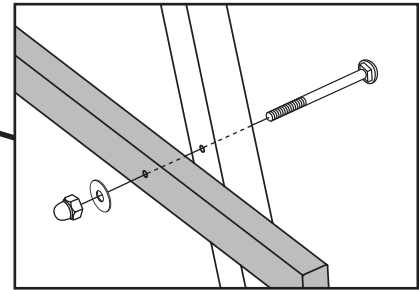
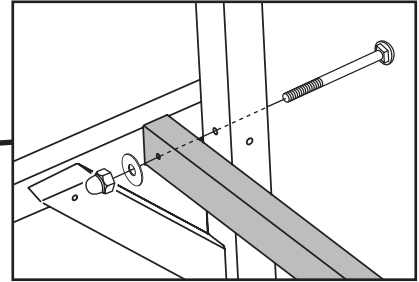
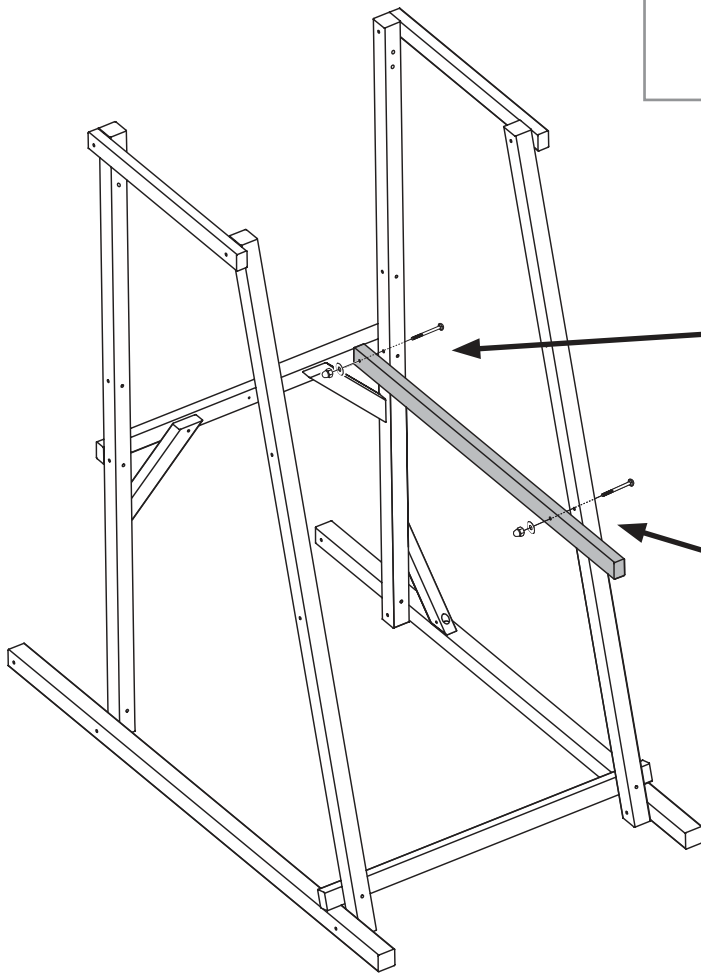


x4

M8 x 25mm
FA7184

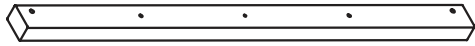


x4

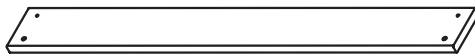


12

MW2070 1206mm x1



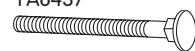
MW2080 1206mm x1



M8 x 120mm x2
FA8434



M8 x 100mm x2
FA8437



5mm x 60mm
FA9768
x2

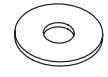


M8
FA8163

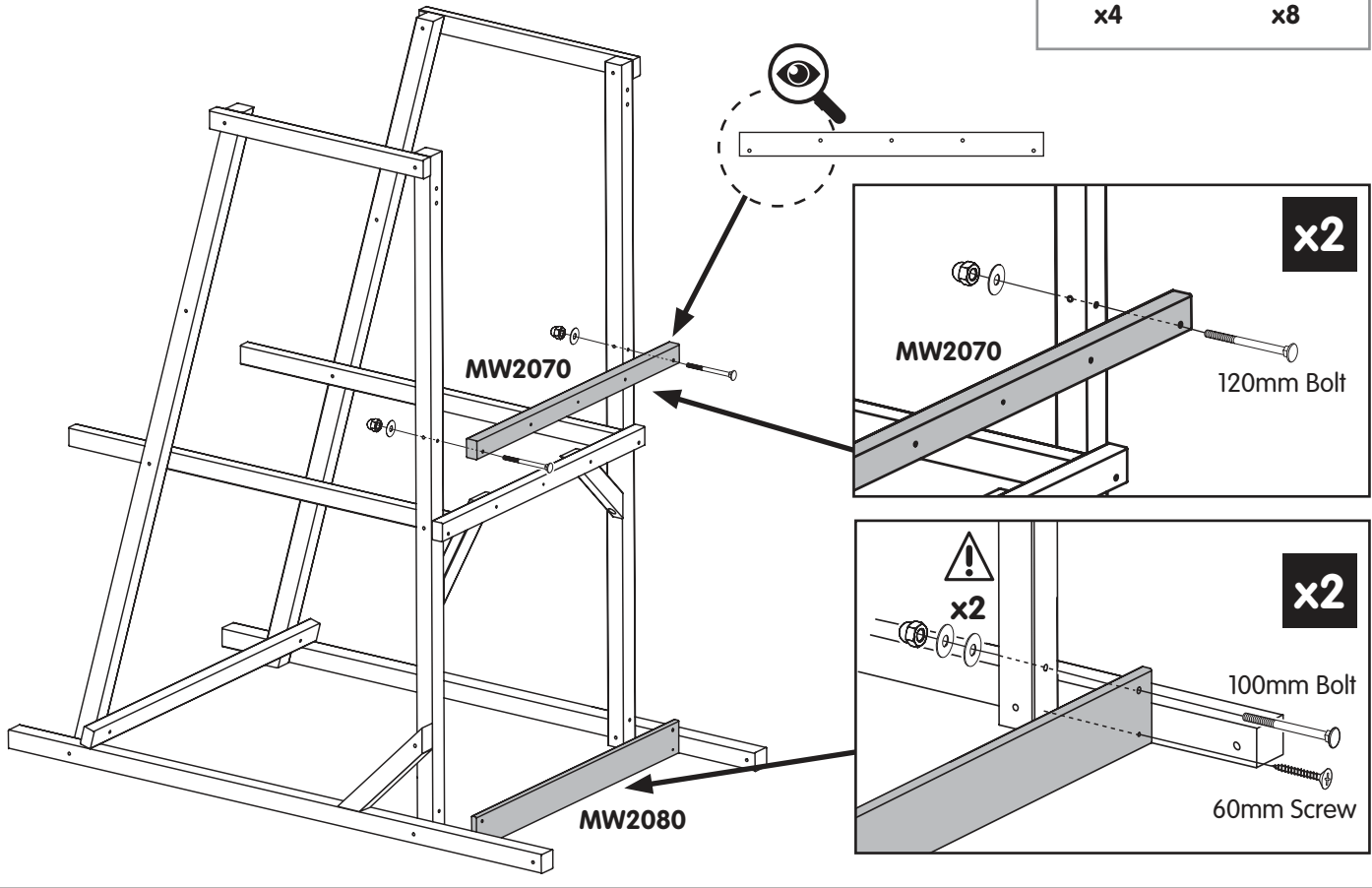


x4

M8 x 25mm
FA7184

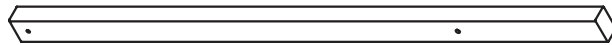


x8



13

MW2068 1582mm x1



M8 x 120mm x1
FA8434



M8
FA8163



M8 x 25mm
FA7184

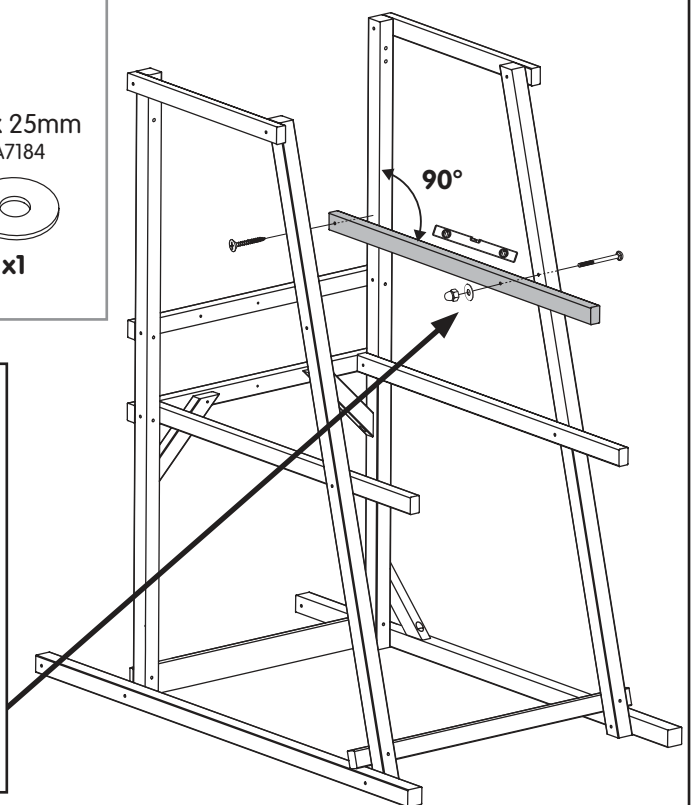
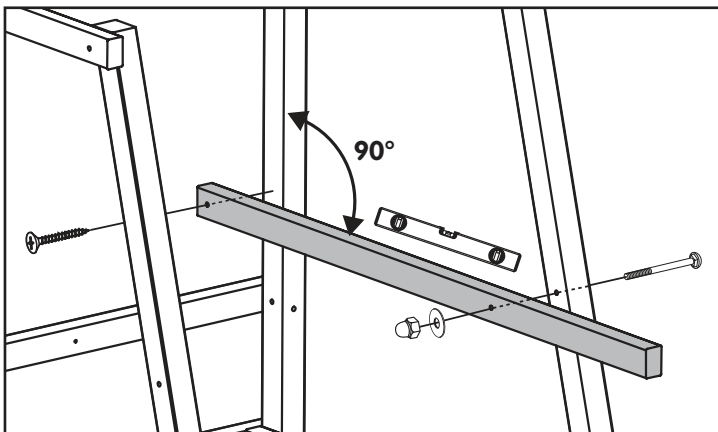


5mm x 80mm x1
FA4521



x1

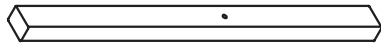
x1



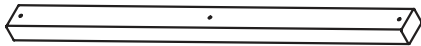
14

TP Kingswood2 Tower

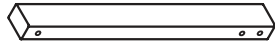
MW2077 953mm x1



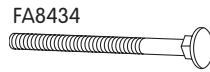
MW2069 1066mm x2



MW2079 674mm x1



M8 x 120mm x1



M8

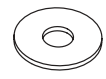
FA8163



x1

M8 x 25mm

FA7184



x1



5mm x 100mm x7

FA9761

A

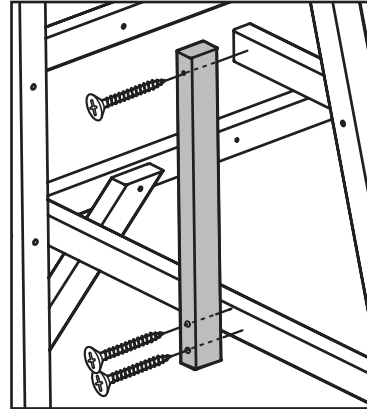
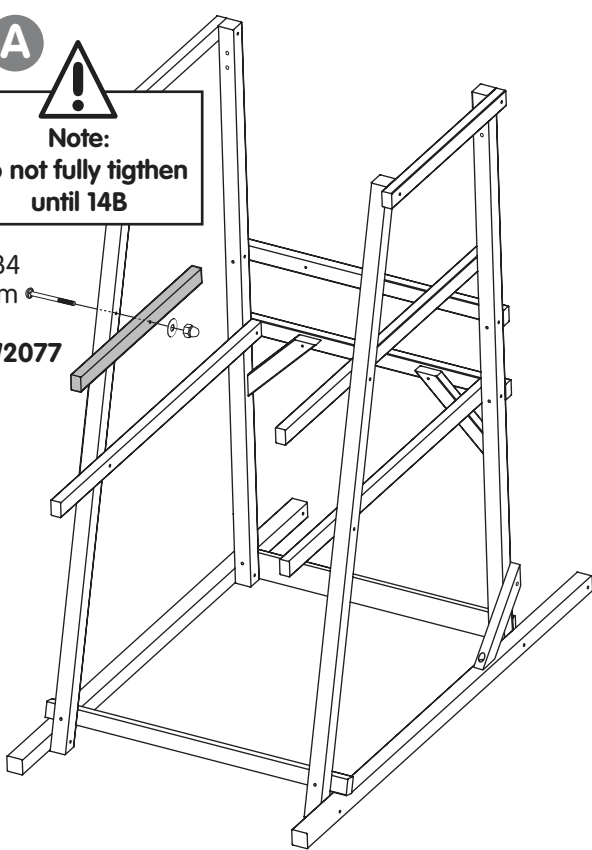


Note:
Do not fully tighten until 14B

FA8434

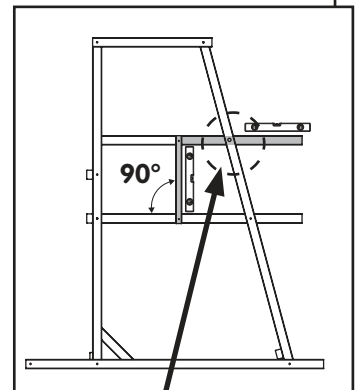
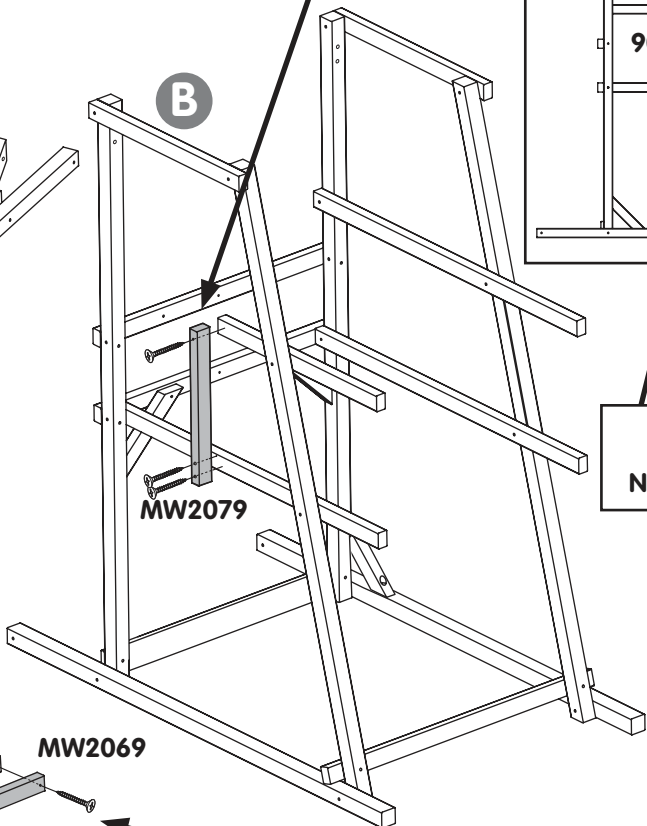
120mm

MW2077



B

MW2079

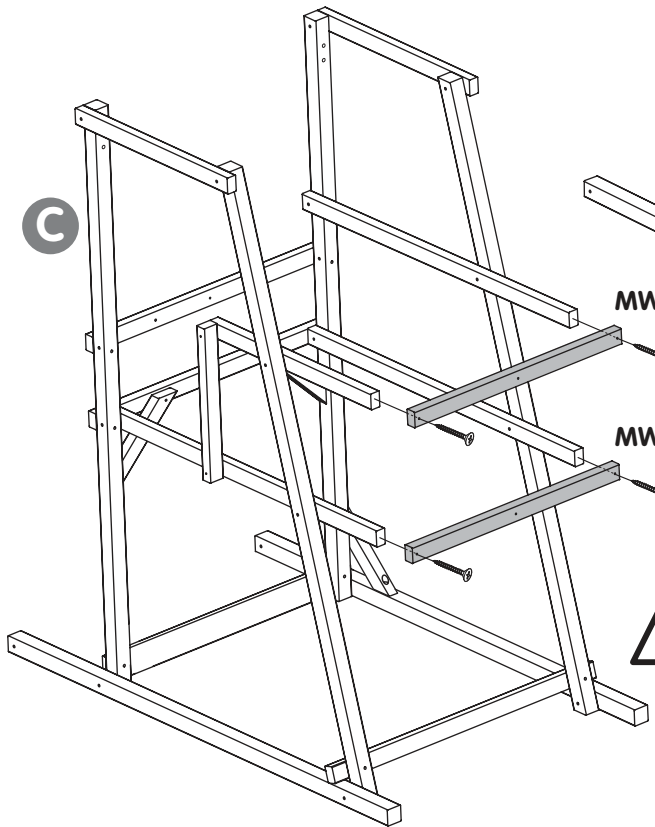


Note:
Now tighten

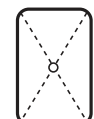
C

MW2069

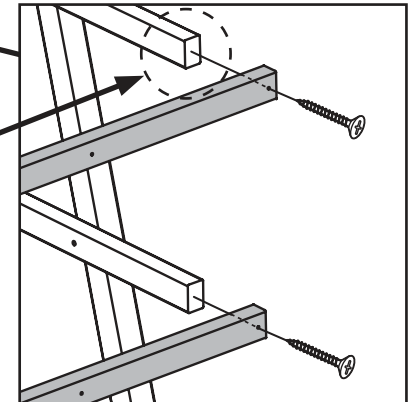
MW2069



Drill 4mm Pilot Holes



approx 40mm

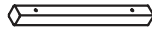


15

MW2090 1116mm x2



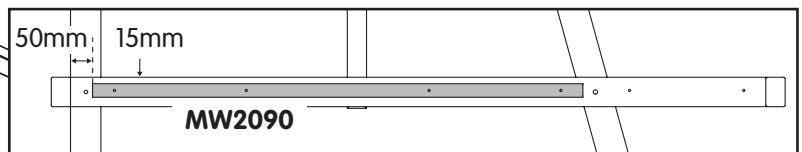
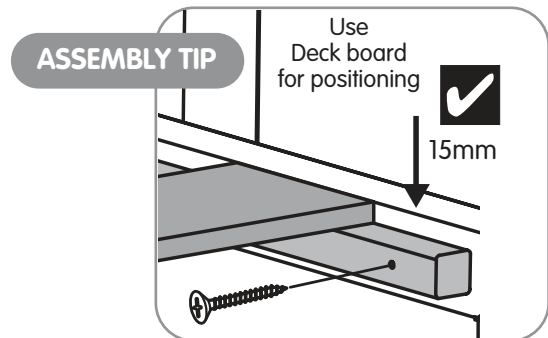
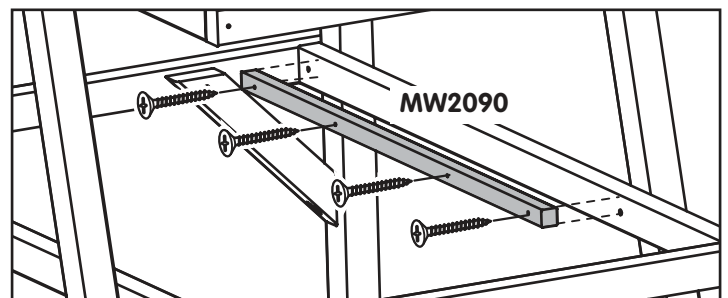
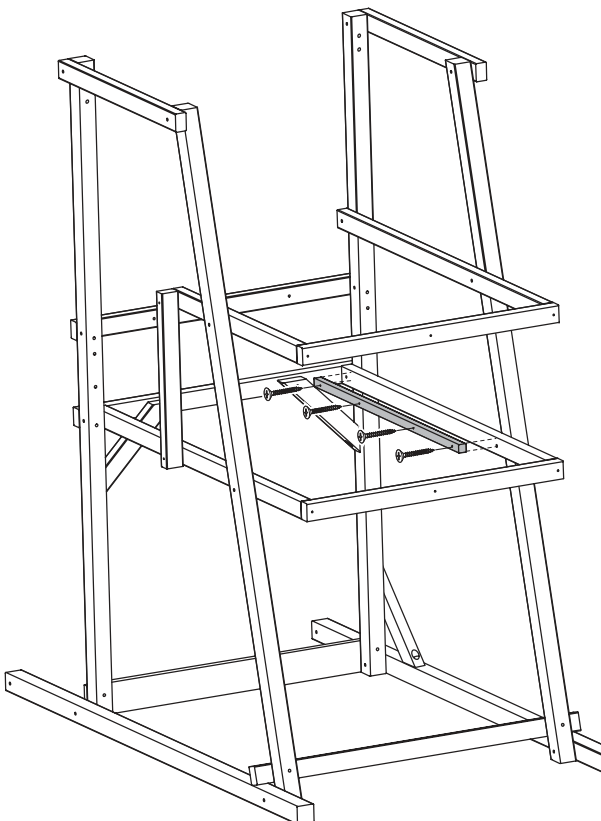
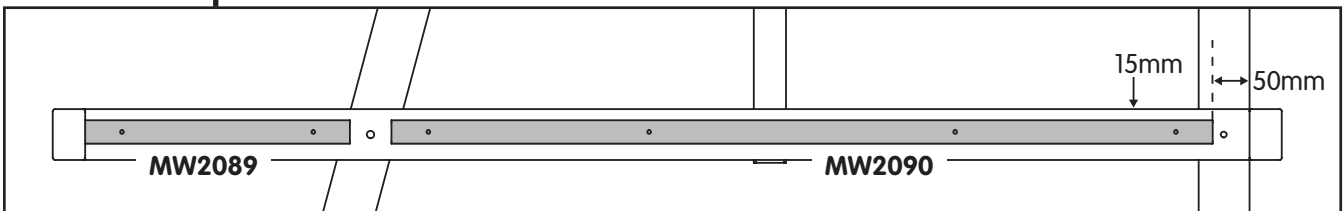
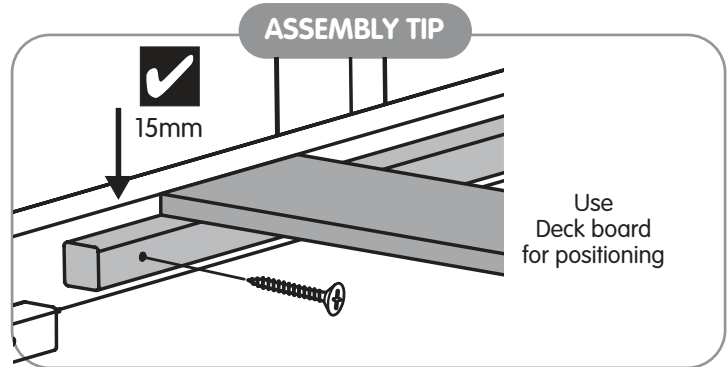
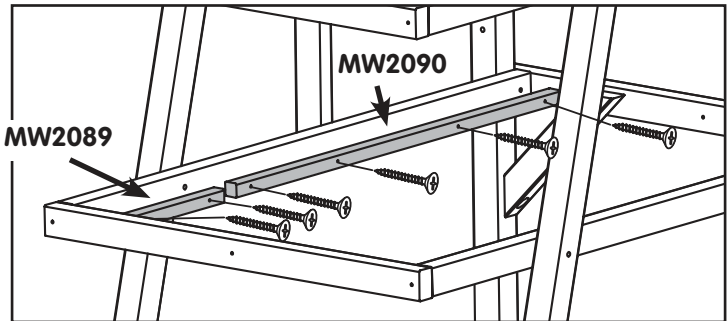
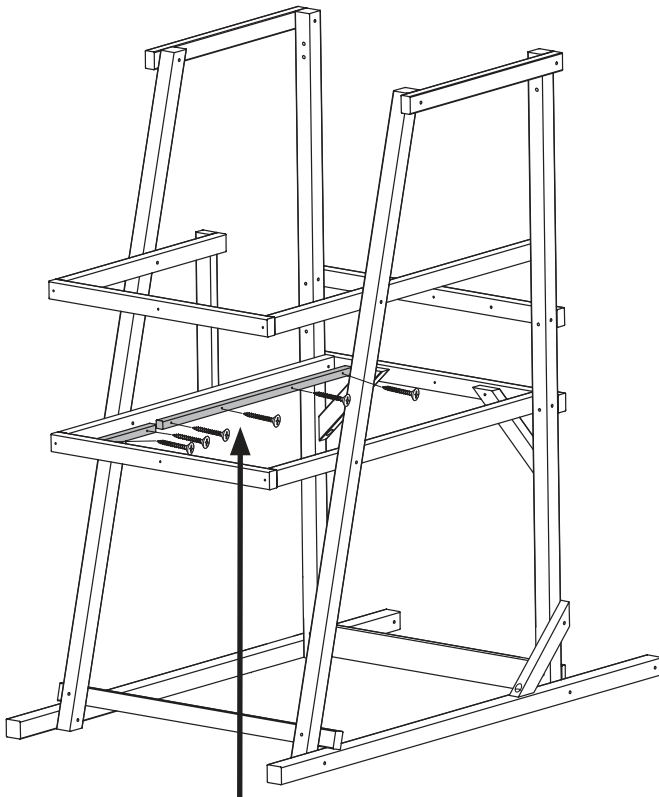
MW2089 360mm x1



5mm x 60mm

FA9768

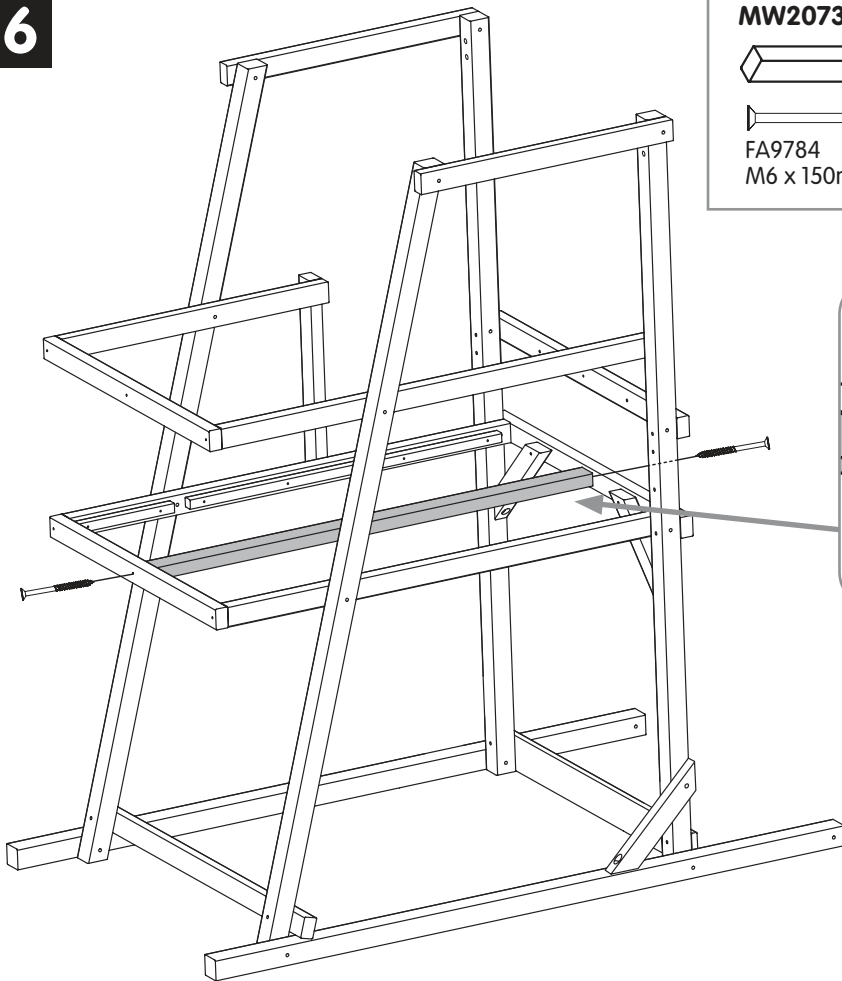
x10



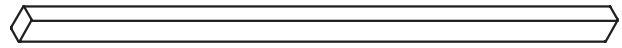
16

TP Kingswood2 Tower

16



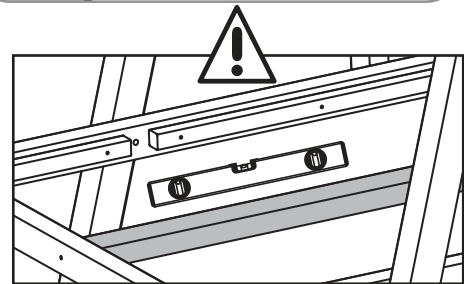
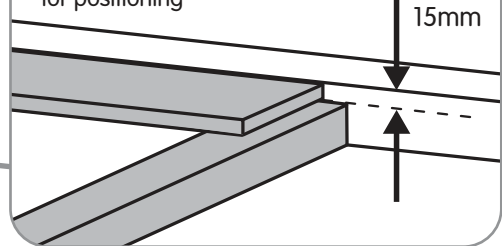
MW2073 1583mm x1



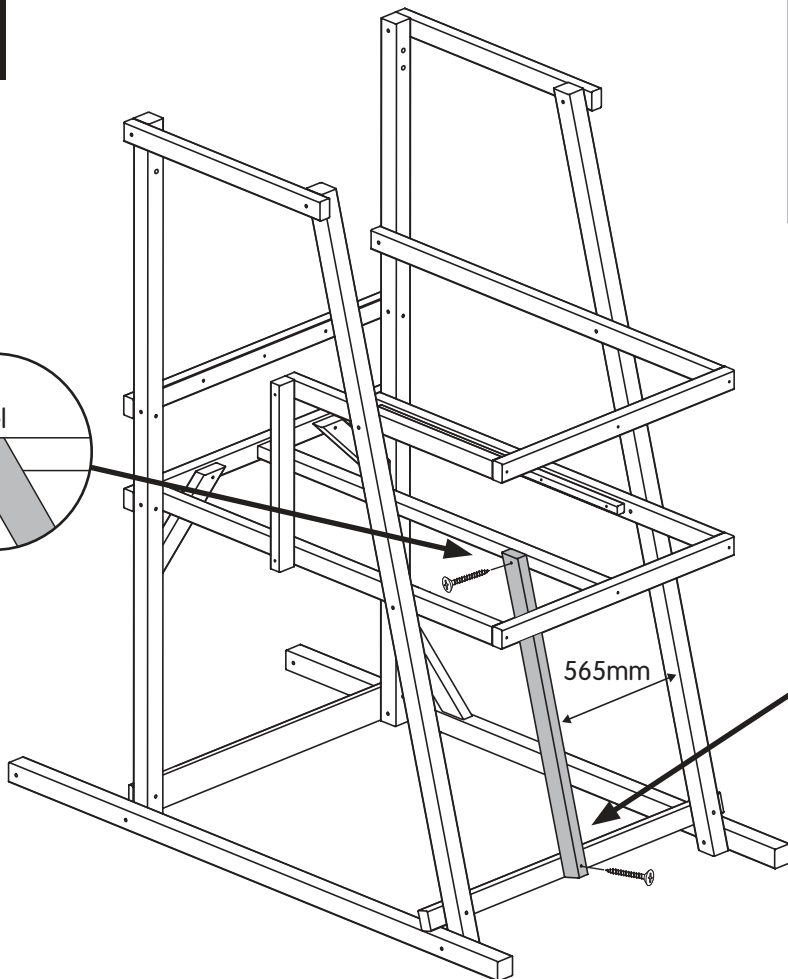
FA9784
M6 x 150mm x2

ASSEMBLY TIP

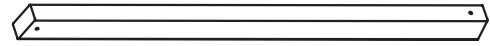
Use Deck board for positioning



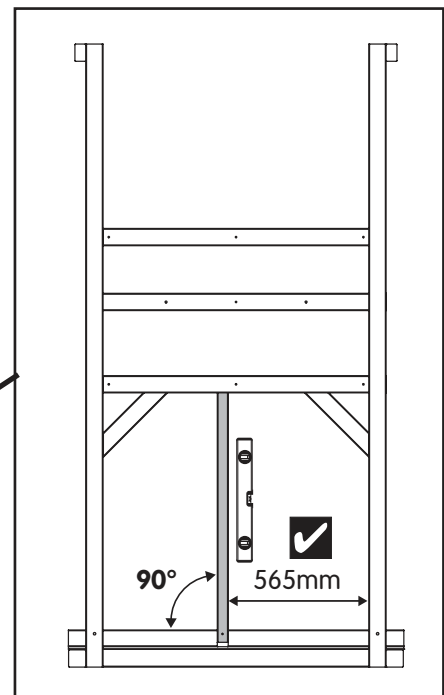
17



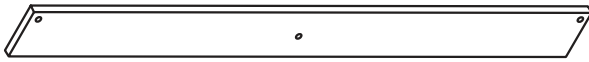
MW2072 1111mm x1



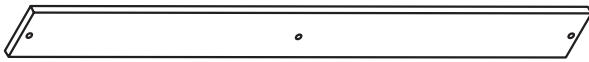
5mm x 100mm x2
FA9761



MW2097 974mm x1



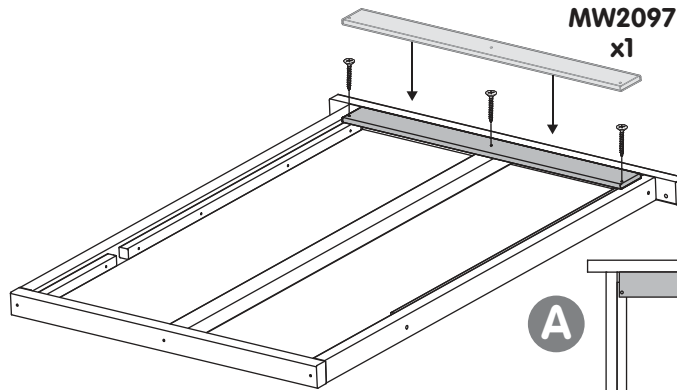
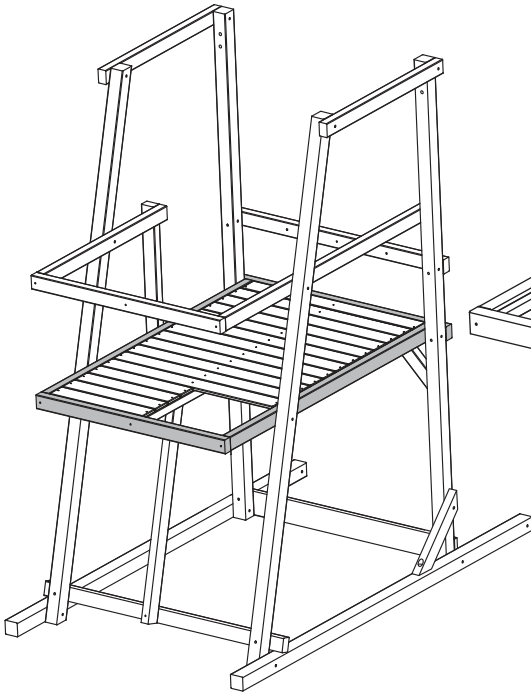
MW2029 974mm x11



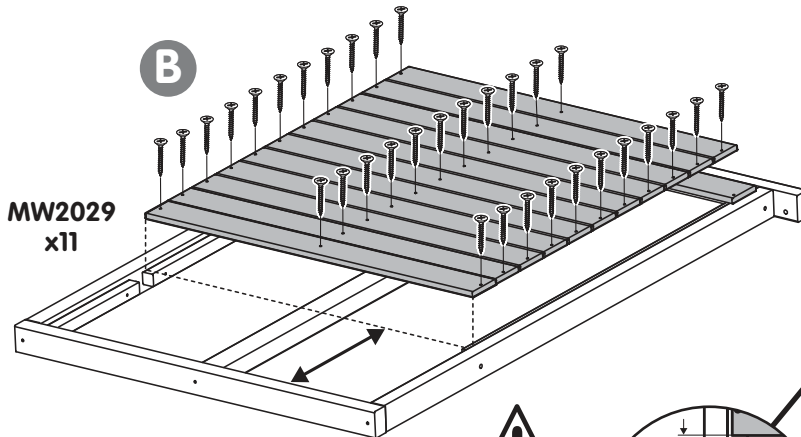
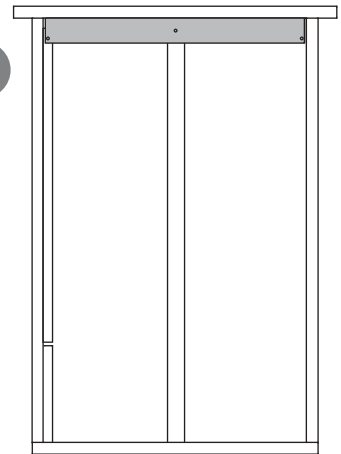
MW2092 528mm x4



4.5mm x 40mm x44
FA4517



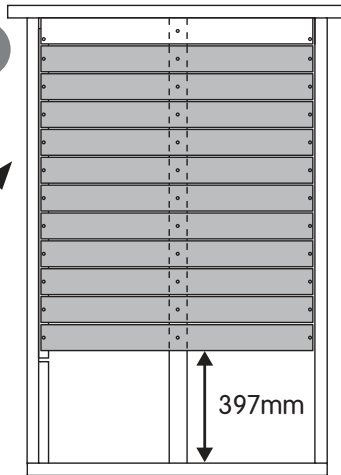
A



B

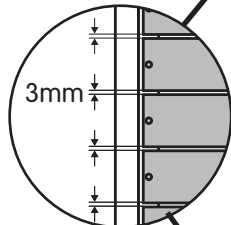
MW2029 x11

B

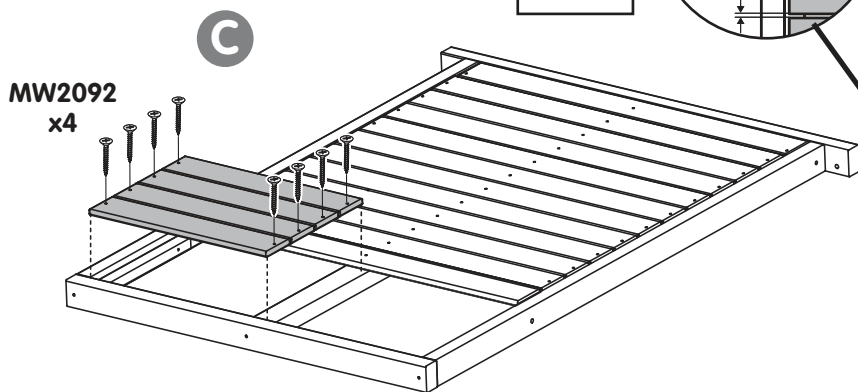


397mm

Note:
Equal
Spacing



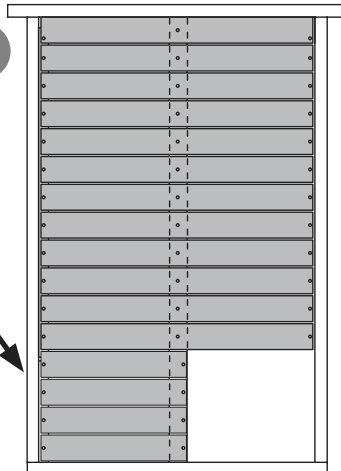
3mm



C

MW2092 x4

C



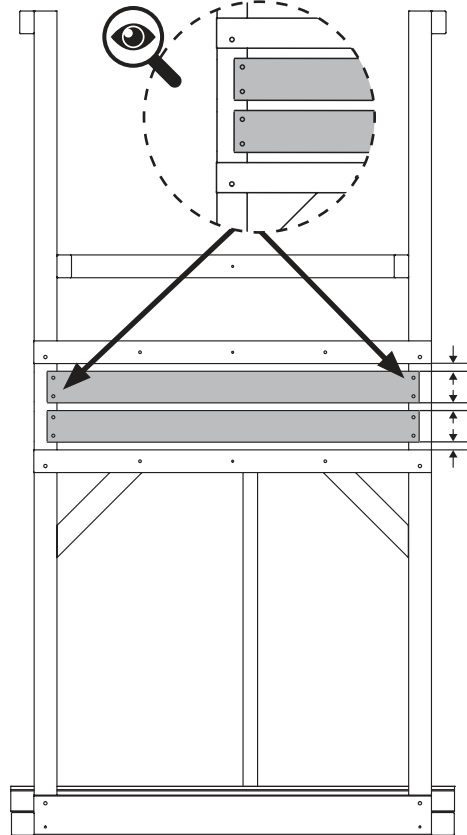
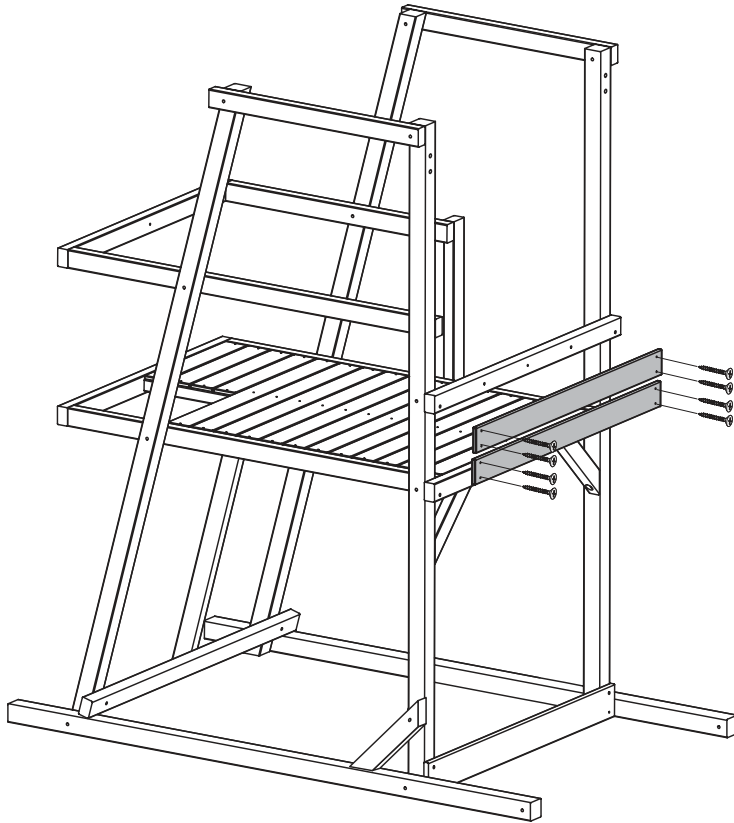
19

MW2098 1115mm x2



5mm x 60mm

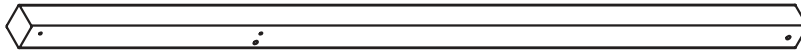
FA9768
x8




Note:
Equal
Spacing

20

MW2064 2105mm x1

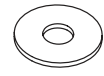


M8
FA8163



x1

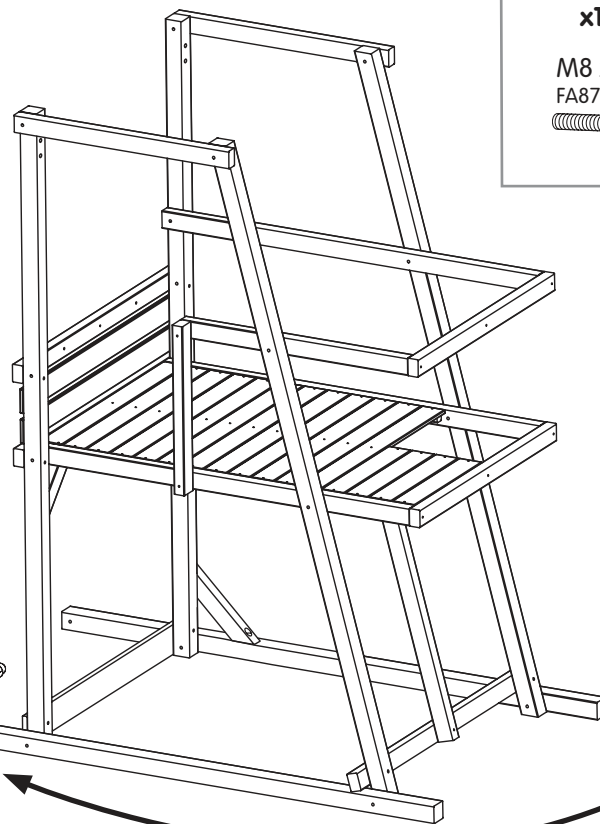
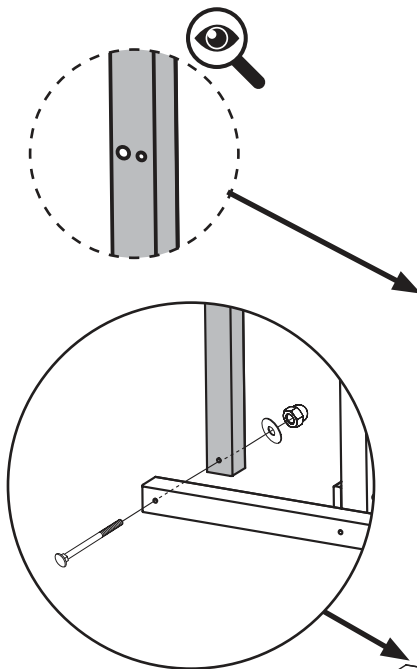
M8 x 25mm
FA7184



x1

M8 x 150mm
FA8760

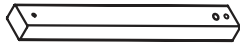
x1




Note:
This side

21

MW2076 573mm x1



M8
FA8163



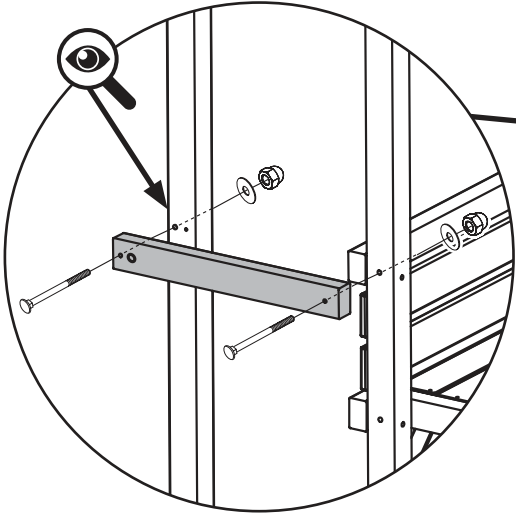
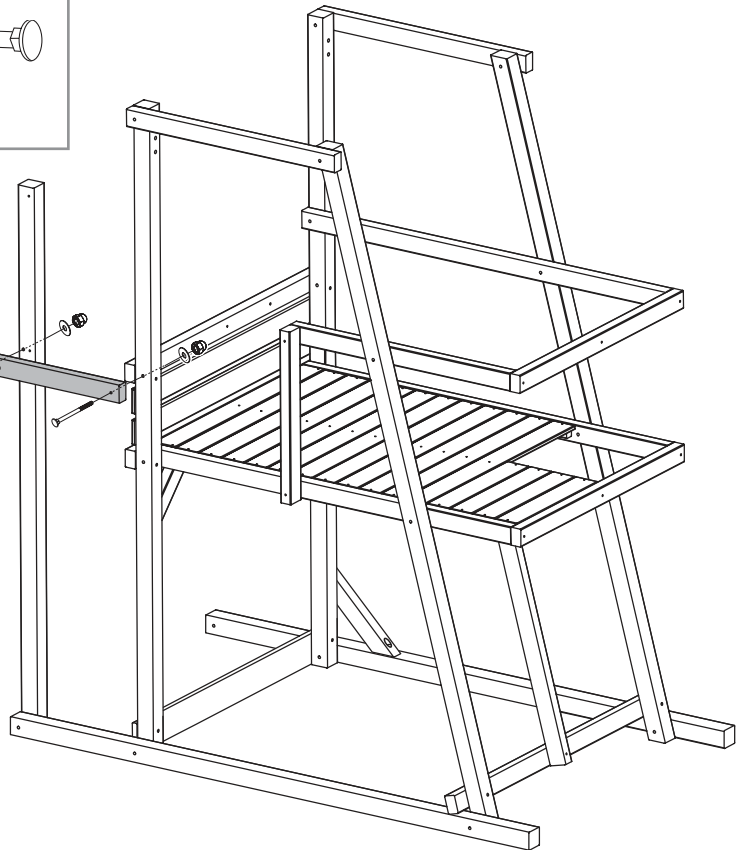
x2

M8 x 25mm
FA7184



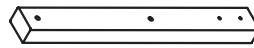
x2

M8 x 120mm
FA8434



22

MW2083 617mm x1



M8 Nylon Insert
FA8163



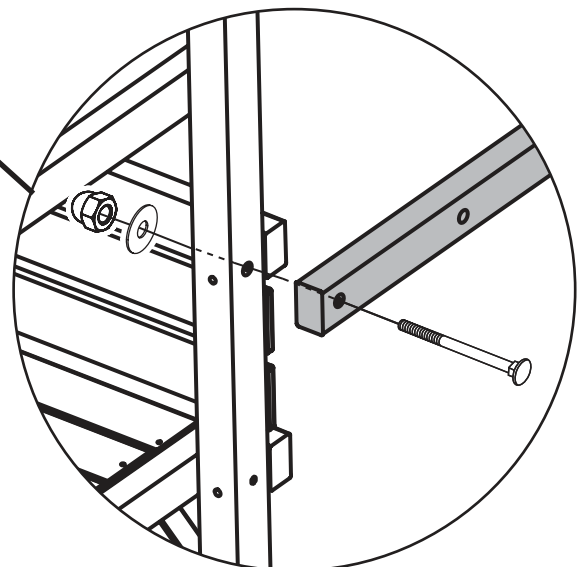
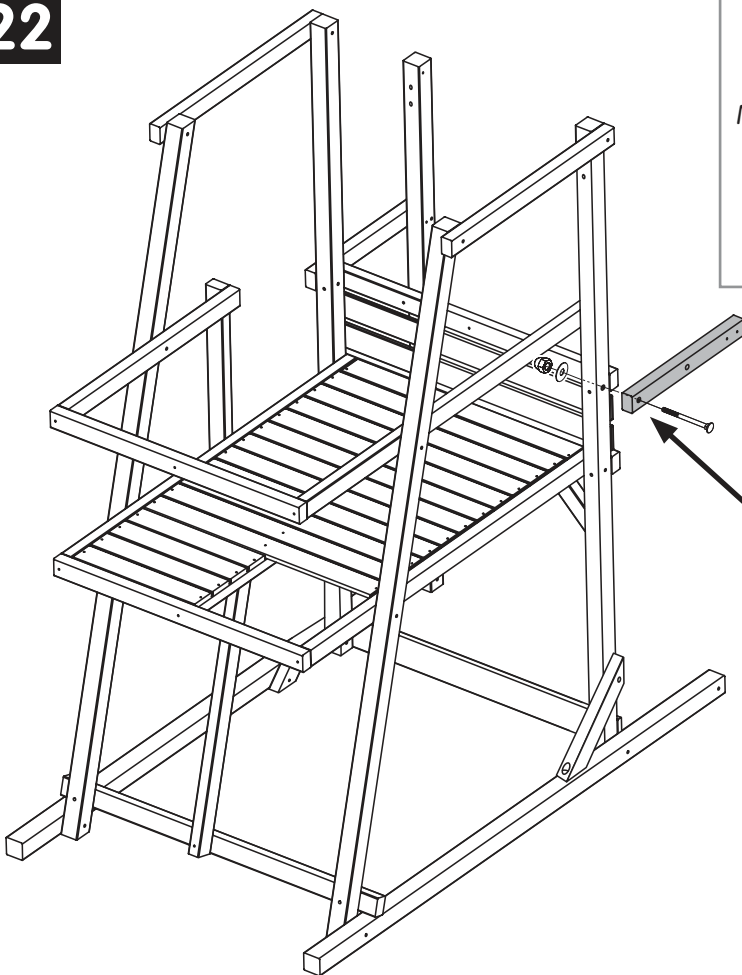
x1

M8 x 25mm
FA7184



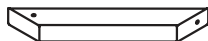
x1

M8 x 120mm
FA8434

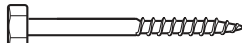


23

MW2081 445mm x1



M8 x 70mm x1
FA8439



M8 x 100mm x1
FA8437



M8
FA8163

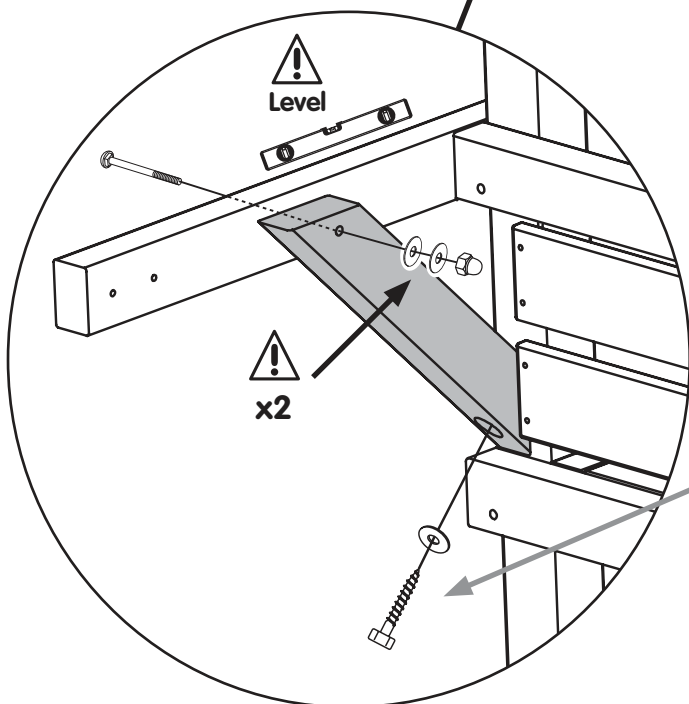
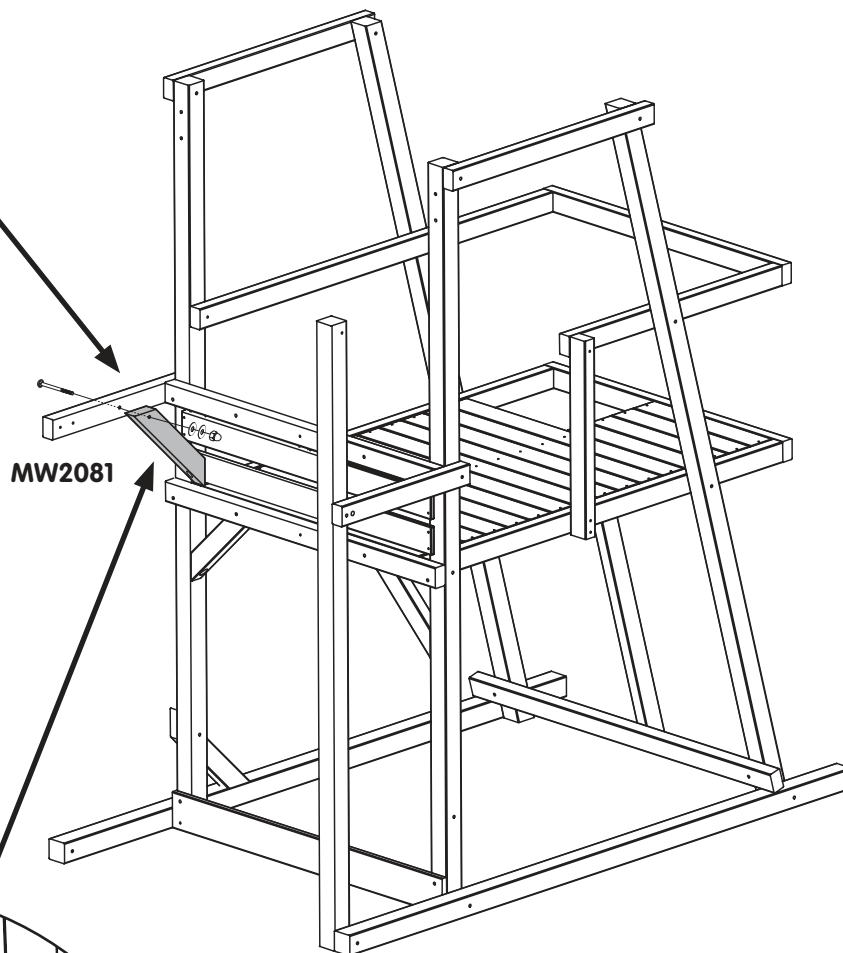
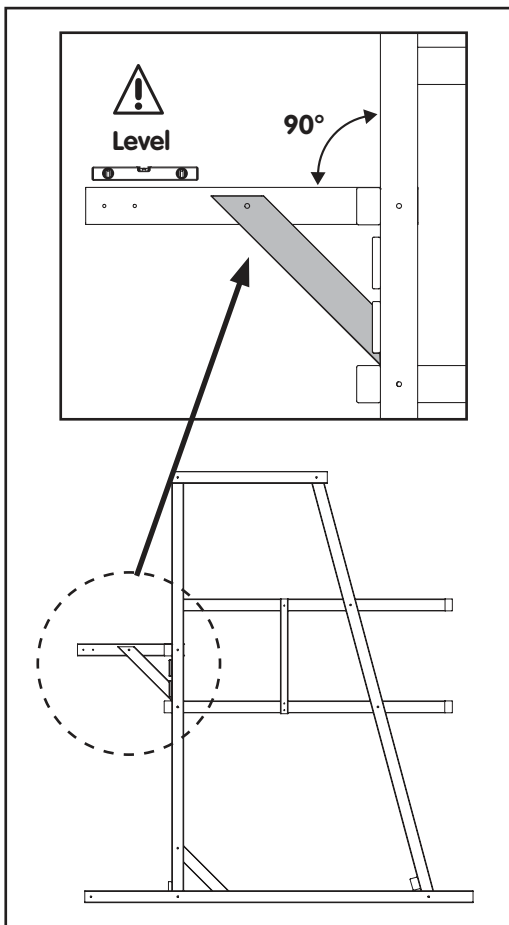


x1

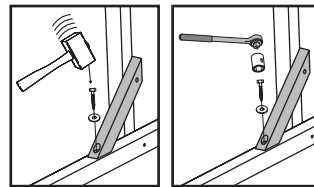
M8 x 25mm
FA7184



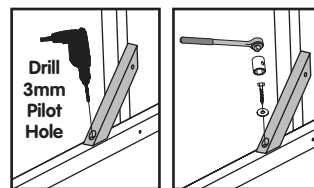
x3



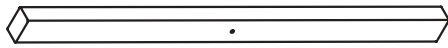
ASSEMBLY TIP



or

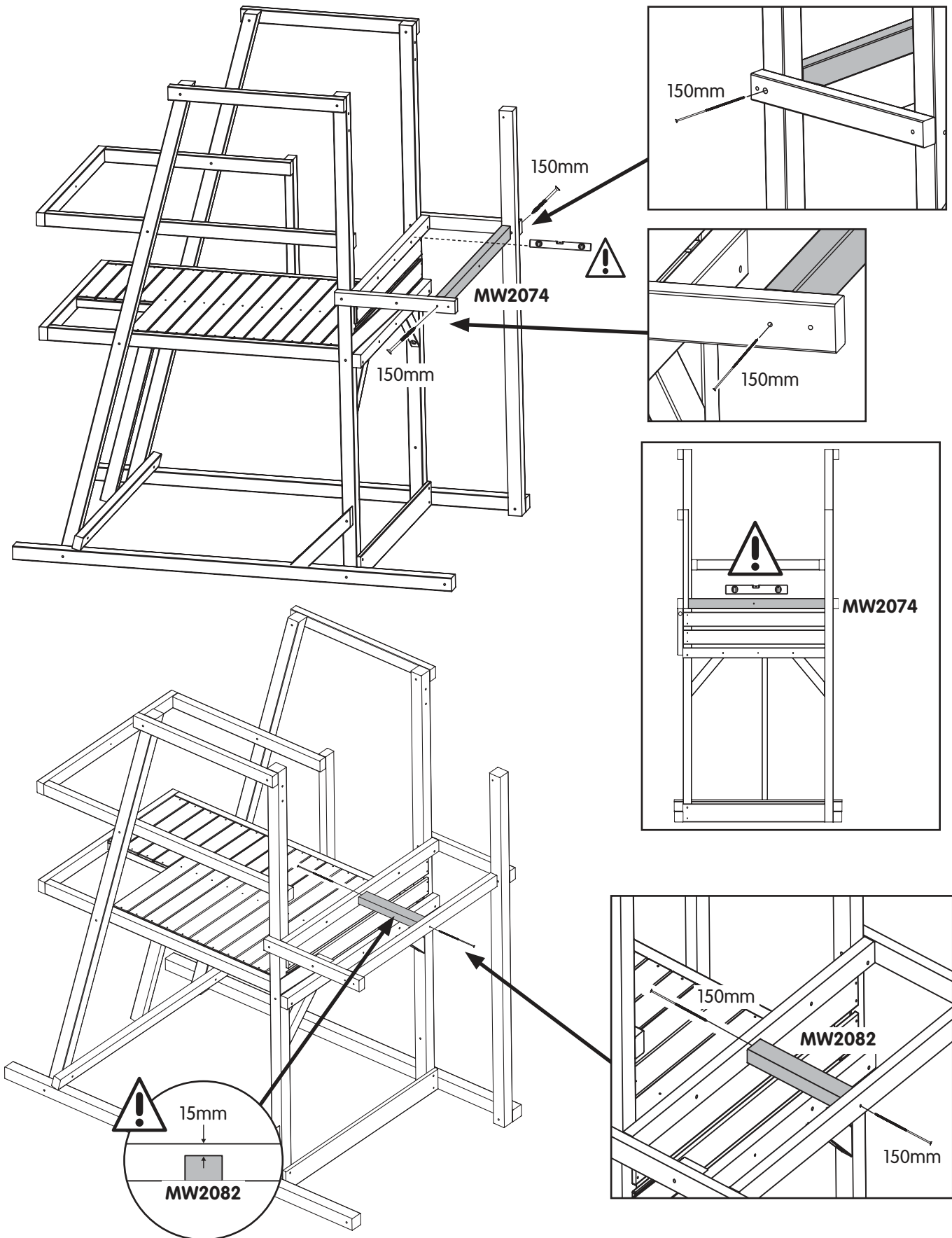
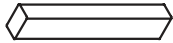


MW2074 1136mm x1



FA9784
M6 x 150mm x4

MW2082 390mm x1



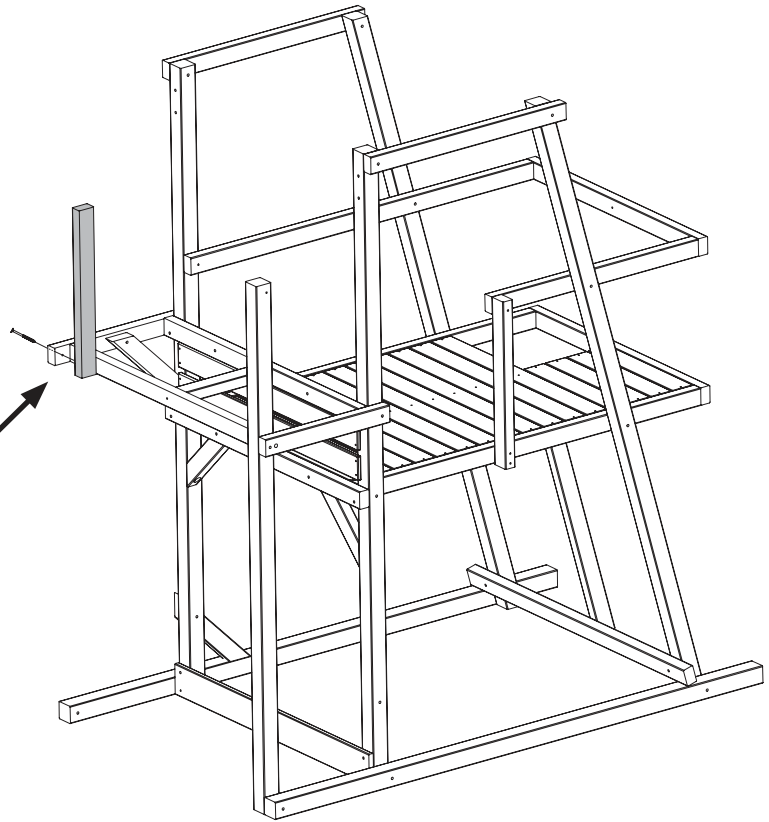
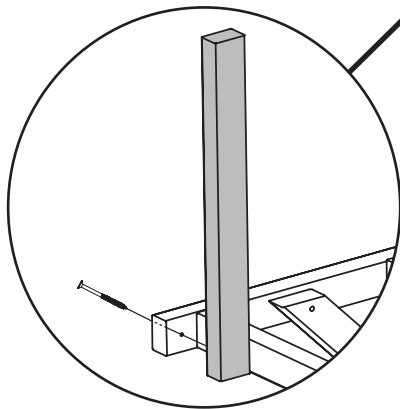
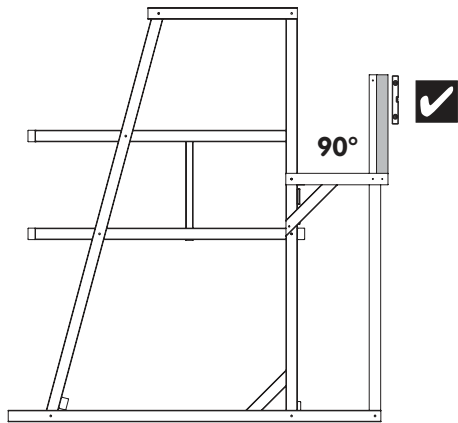
25

MW2085 674mm x1



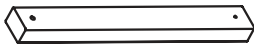
5mm x 80mm x1

FA4521



26

MW2084 617mm x1



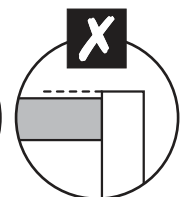
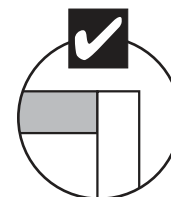
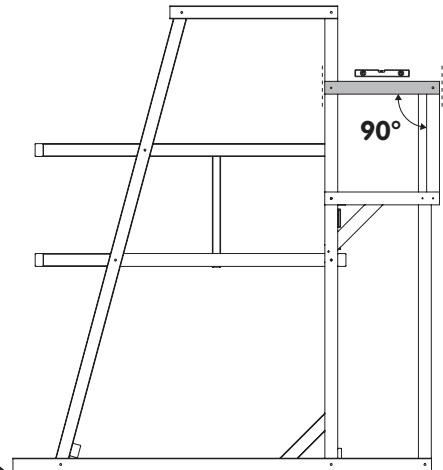
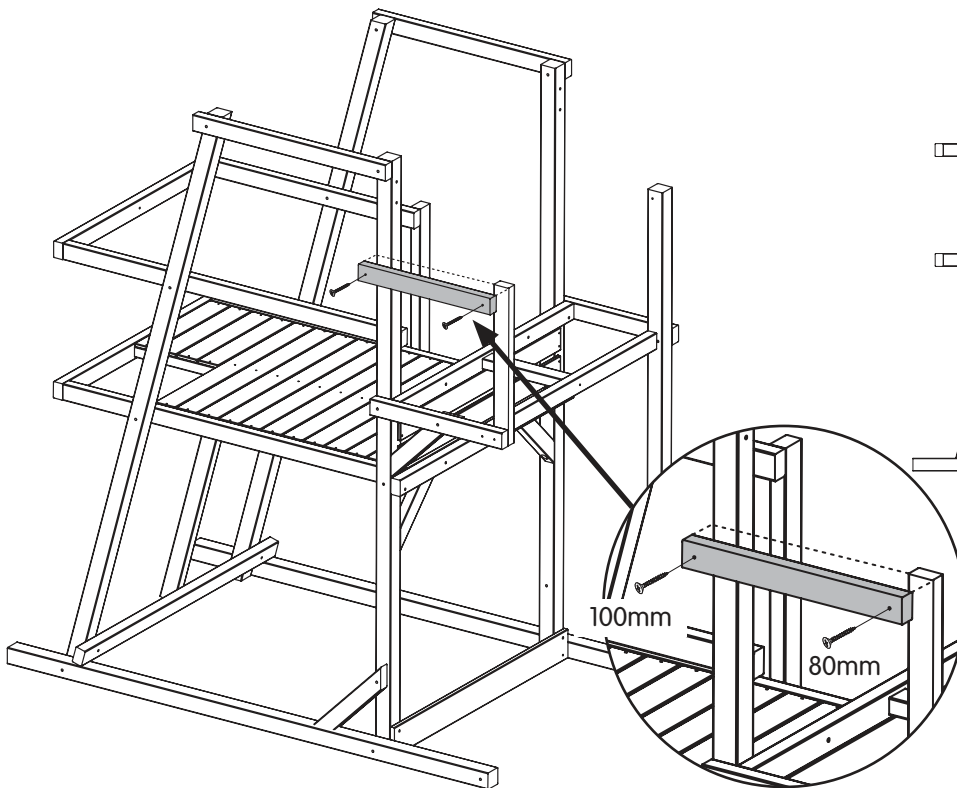
5mm x 80mm x1

FA4521



5mm x 100mm x1

FA9761

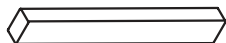


23

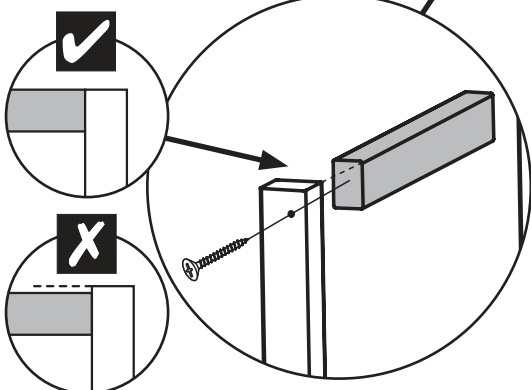
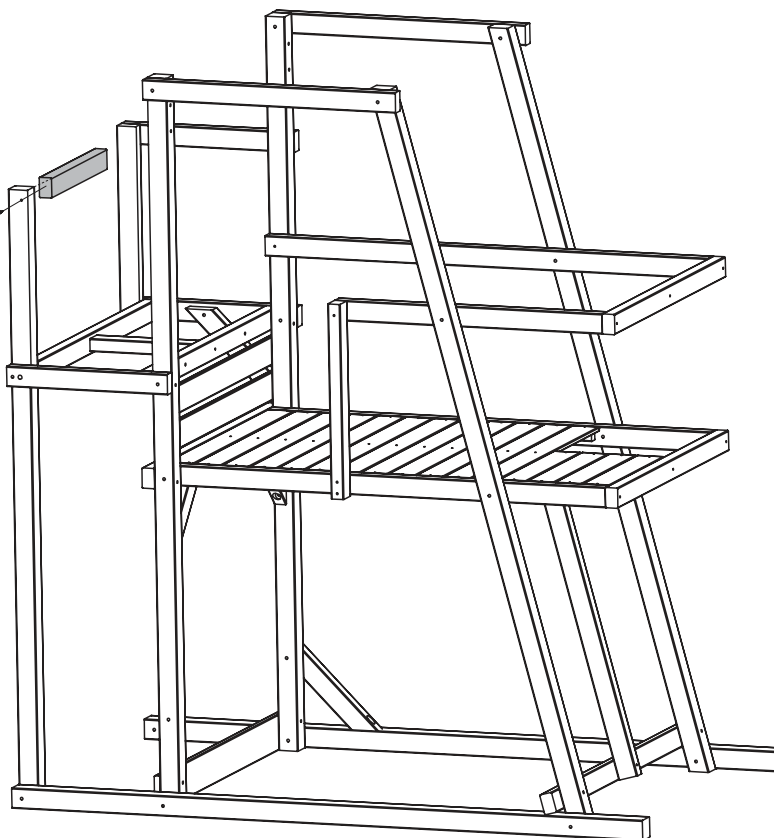
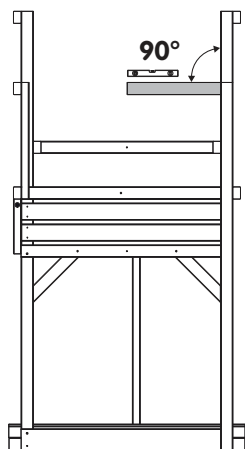
TP Kingswood2 Tower

27

MW2086 532mm x1

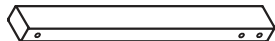


FA9784
M6 x 150mm x1



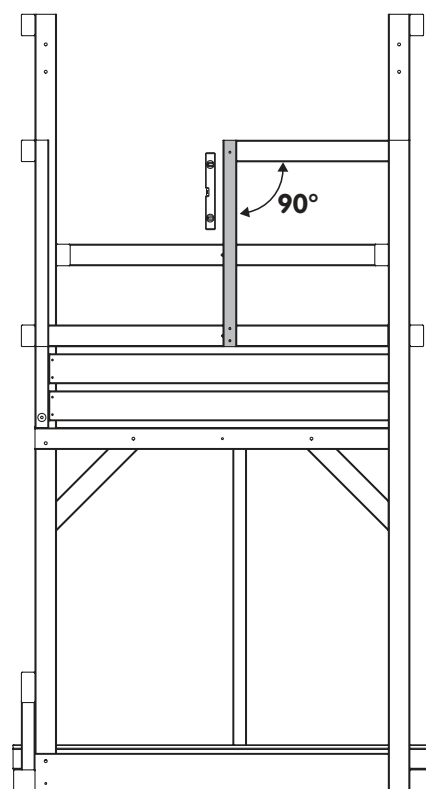
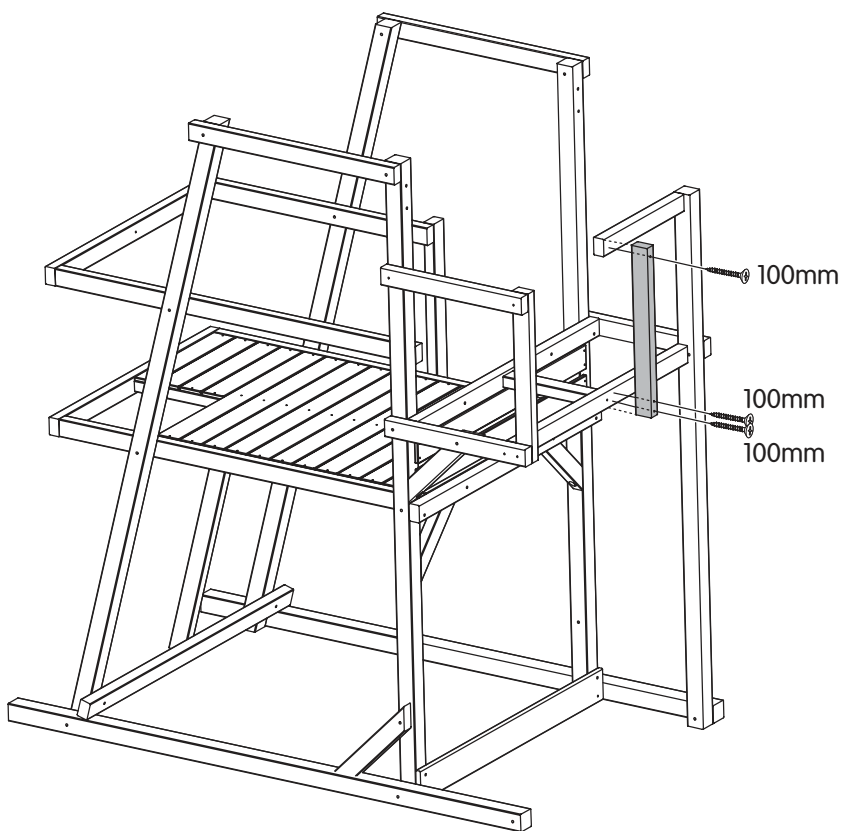
28

MW2079 674mm x1

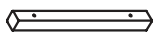


5mm x 100mm x3

FA9761



MW2089 360mm x1



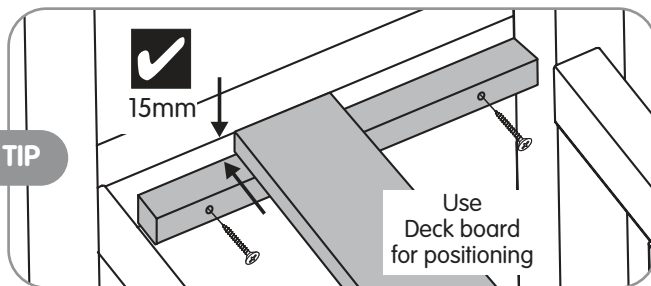
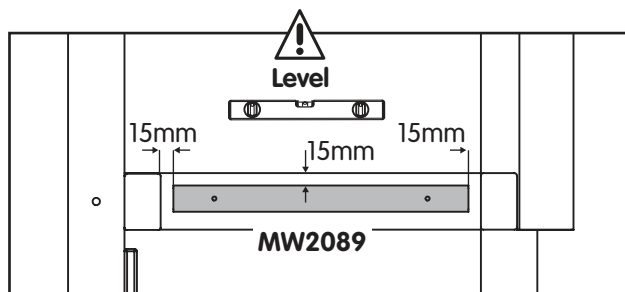
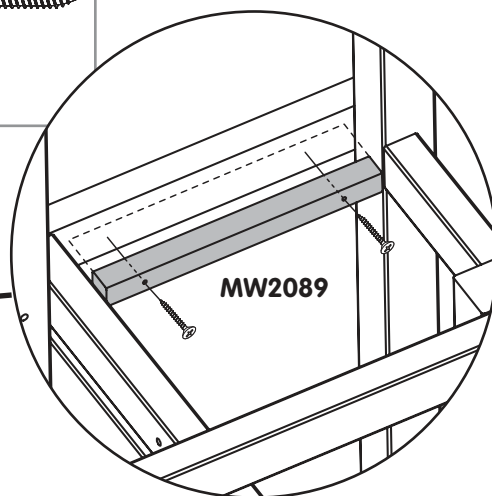
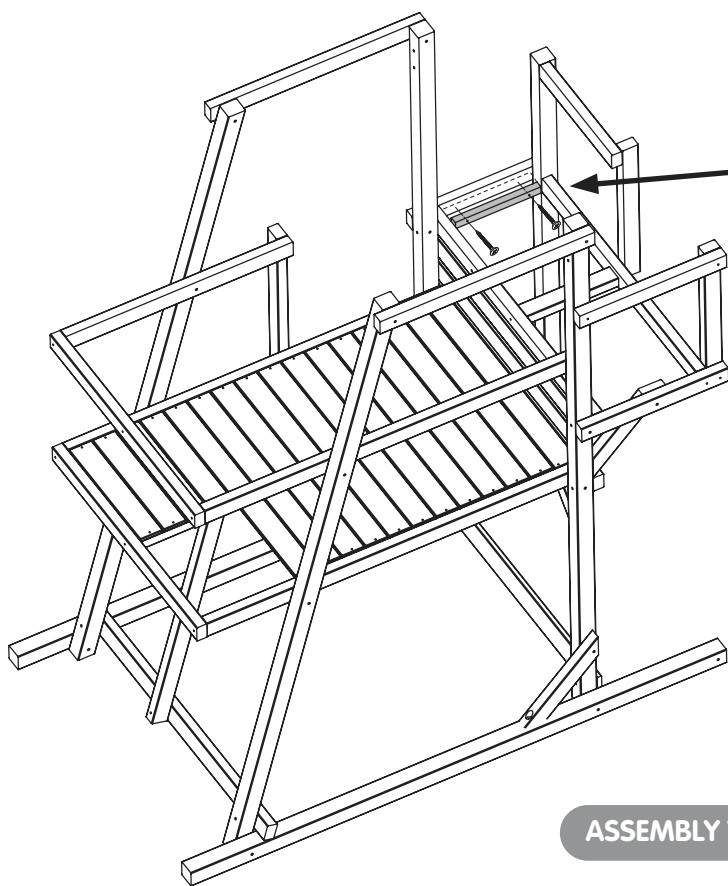
5mm x 60mm

FA9768

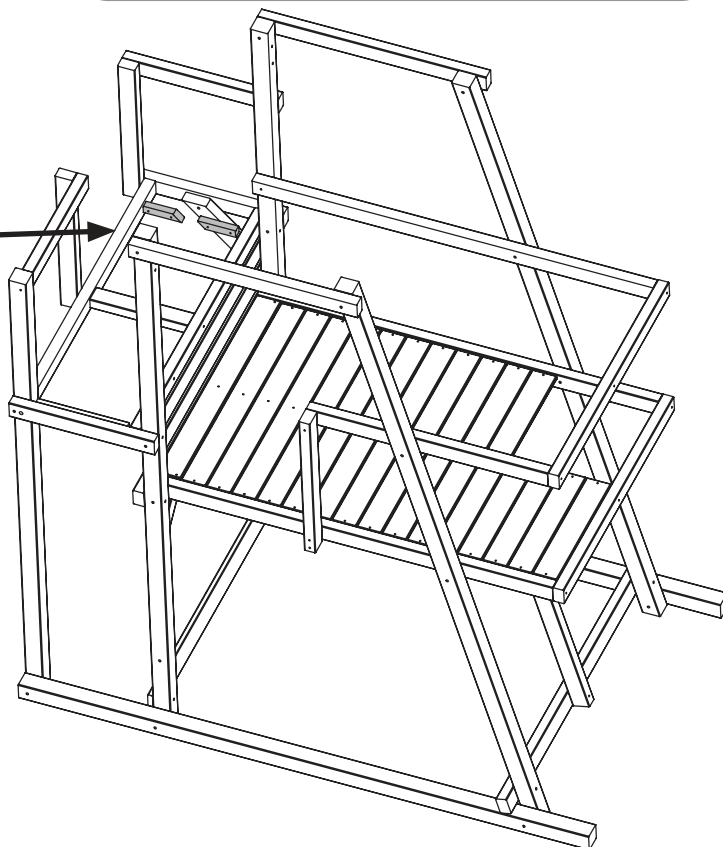
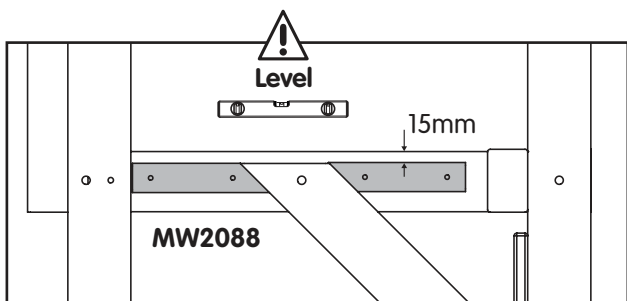
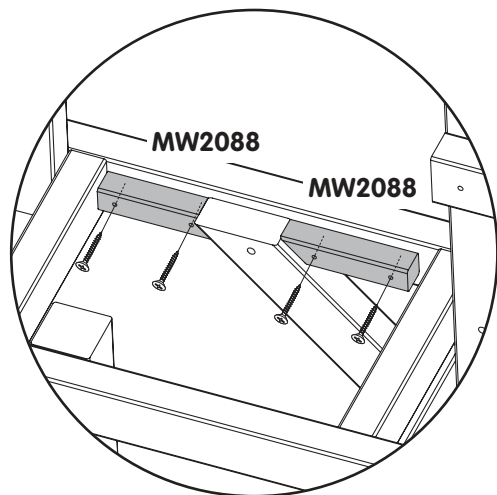
x6



MW2088 150mm x2

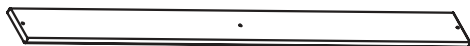


ASSEMBLY TIP



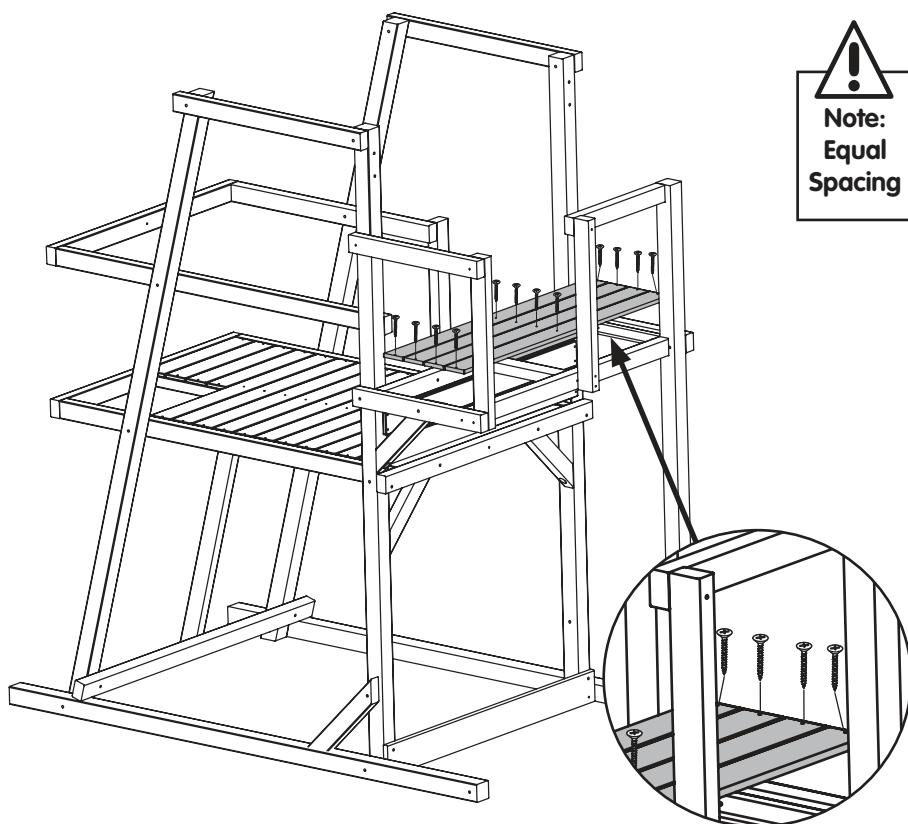
30

MW2091 1200mm x4

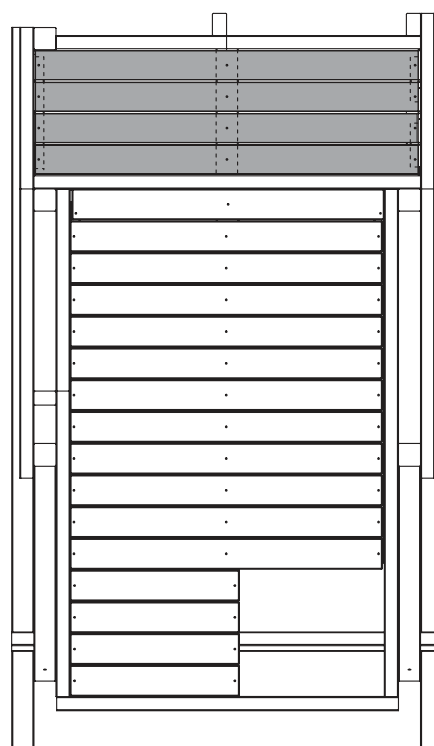


4.5mm x 40mm x12

FA4517

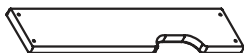



Note:
Equal
Spacing



31

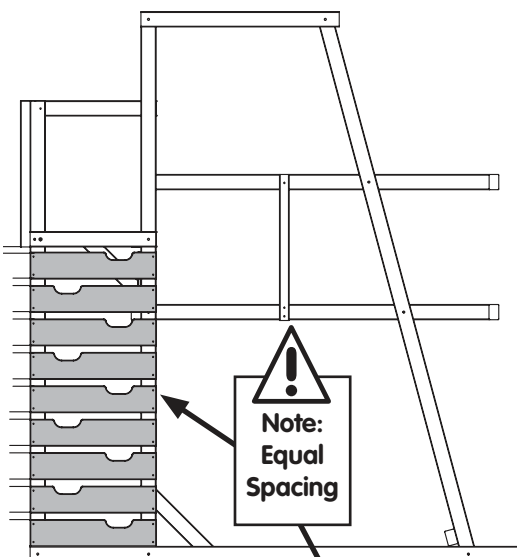
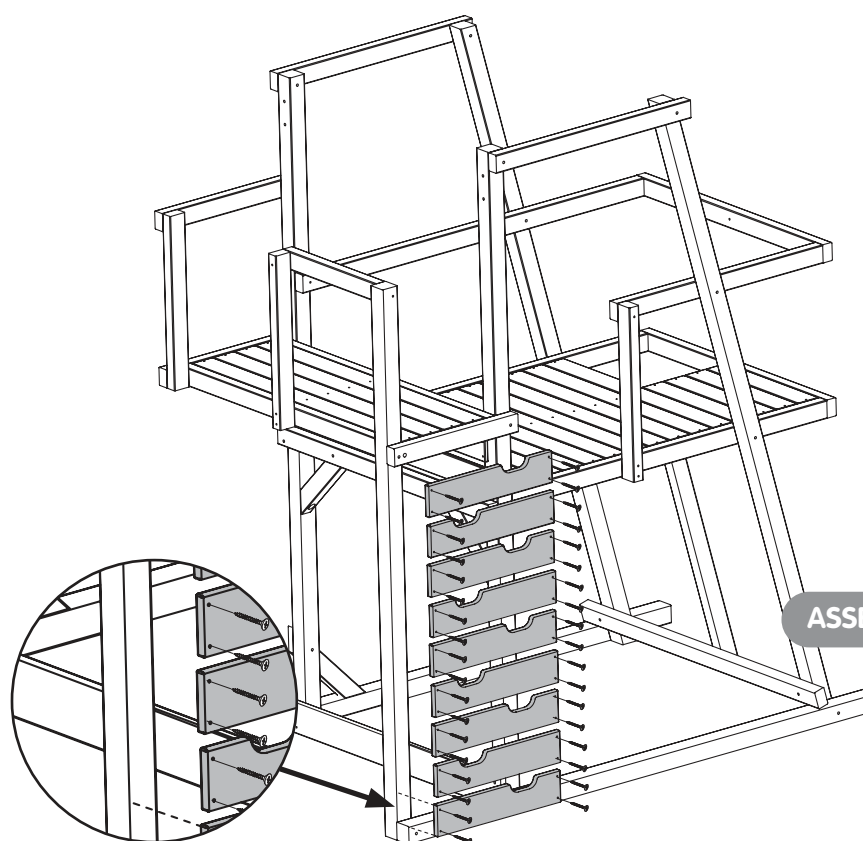
MW2093 574mm x9




5mm x 60mm

FA9768

x36



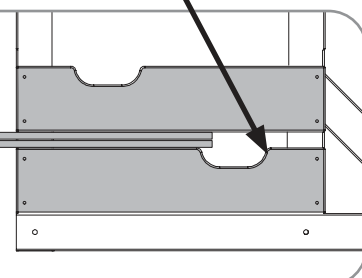

Note:
Equal
Spacing

ASSEMBLY TIP

15mm

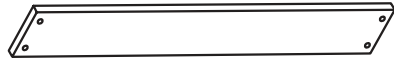
15mm

Use 2 x
MW2023
boards



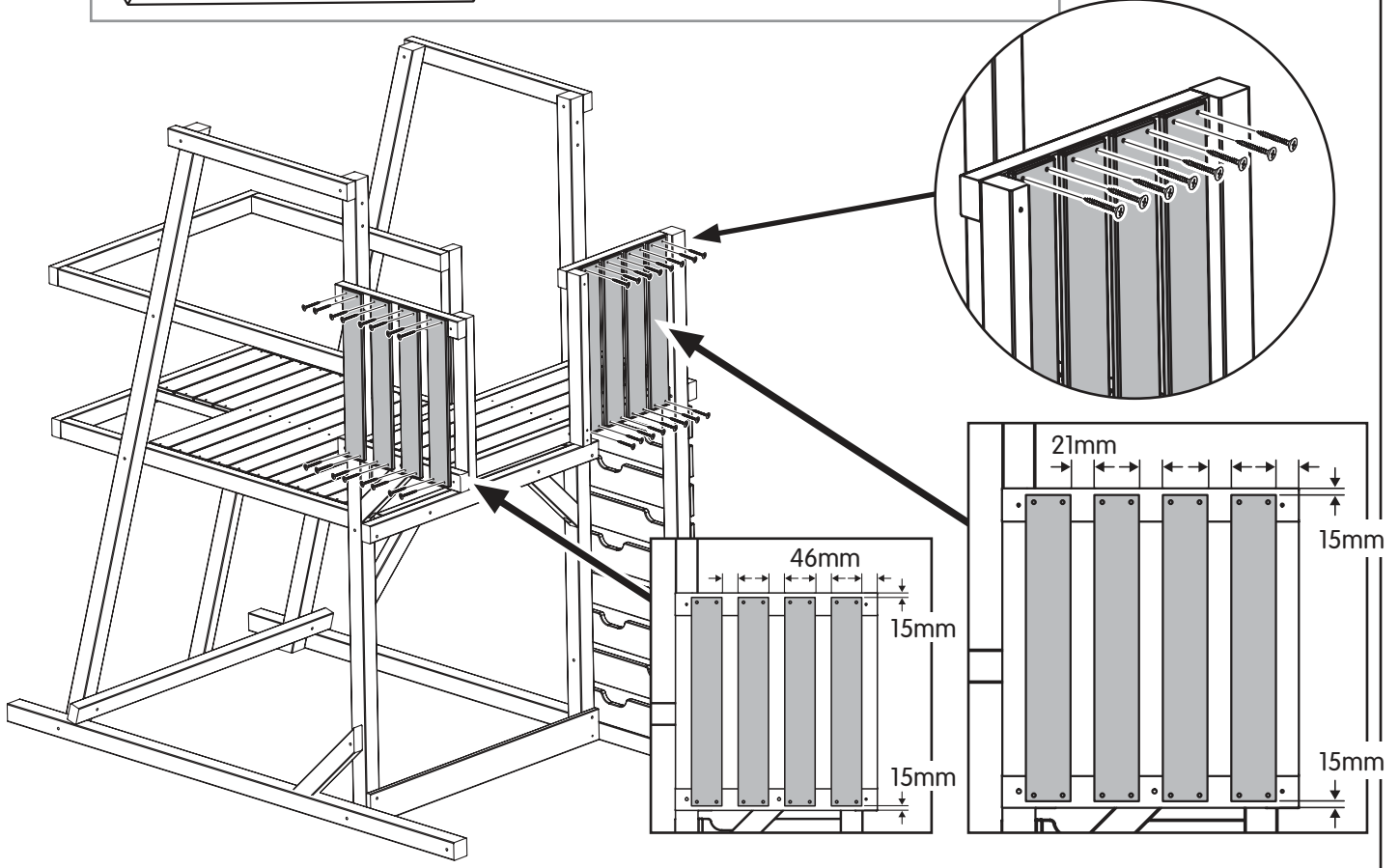
32

MW2023 650mm x8



4.5mm x 40mm x32

FA4517



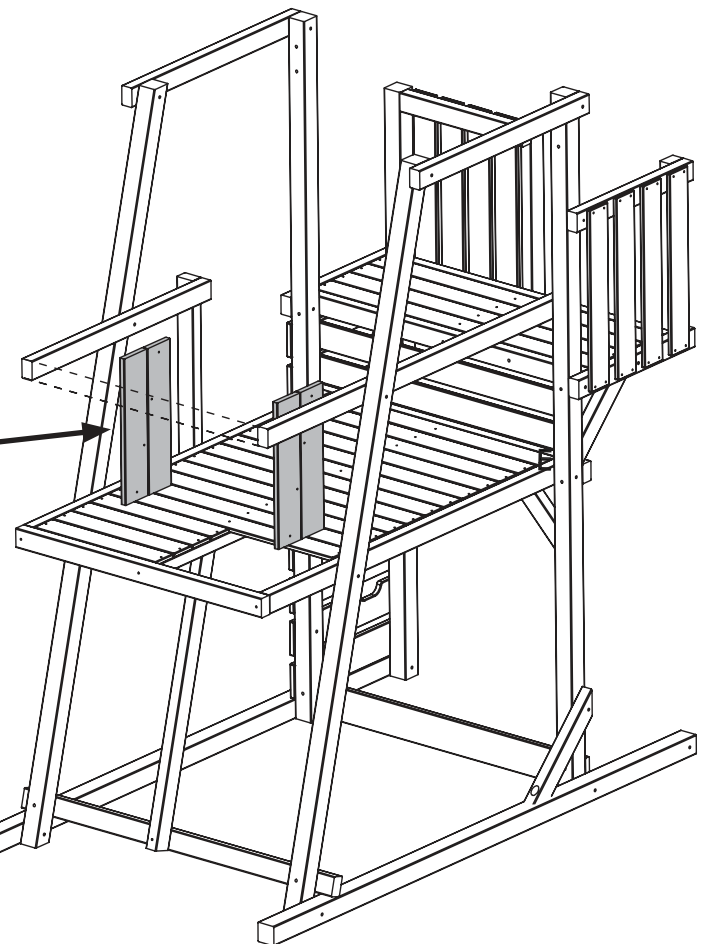
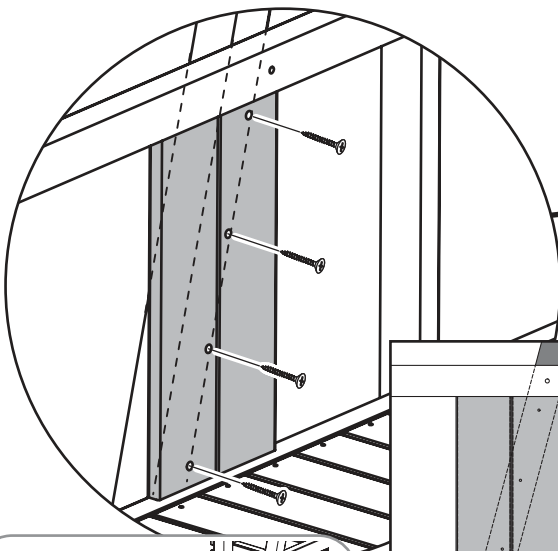
33

MW2101 535mm x4



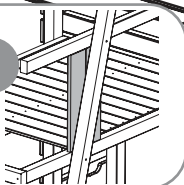
4.5mm x 40mm x8

FA4517



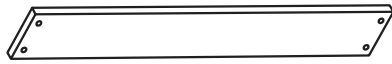
ASSEMBLY TIP

If tight tap with mallet



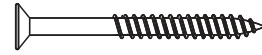
34

MW2023 650mm x8

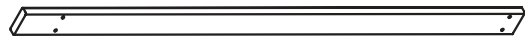


4.5mm x 40mm x32

FA4517



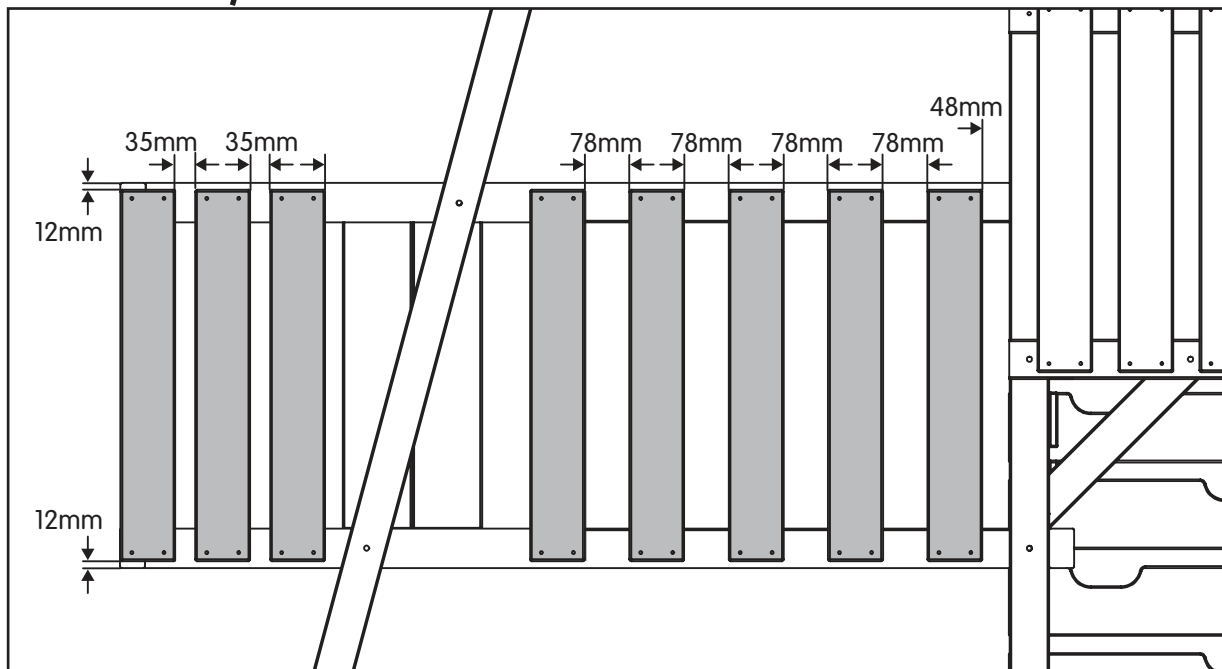
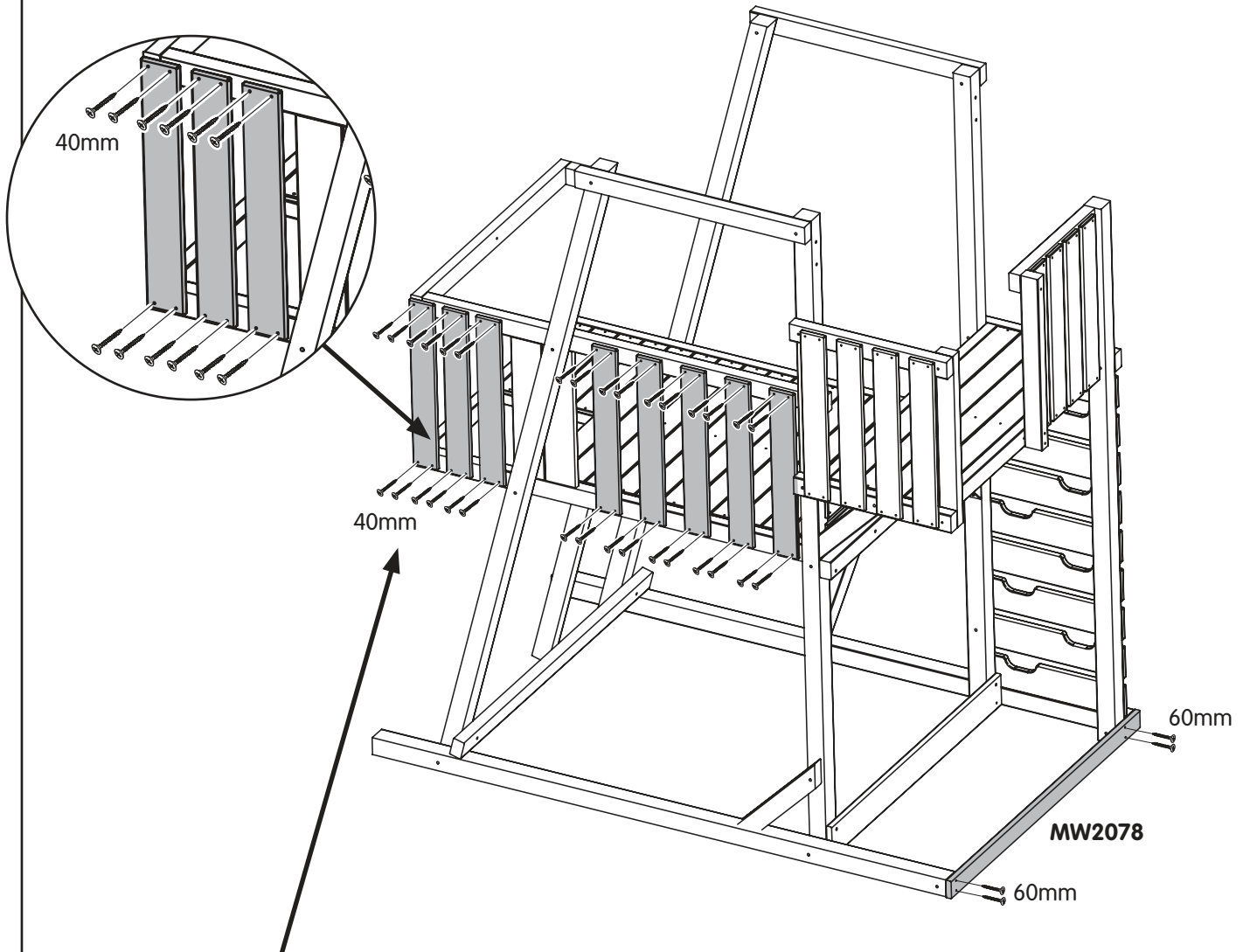
MW2078 1346mm x1



5mm x 60mm

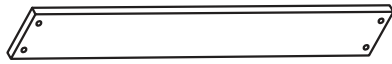
FA9768

x4



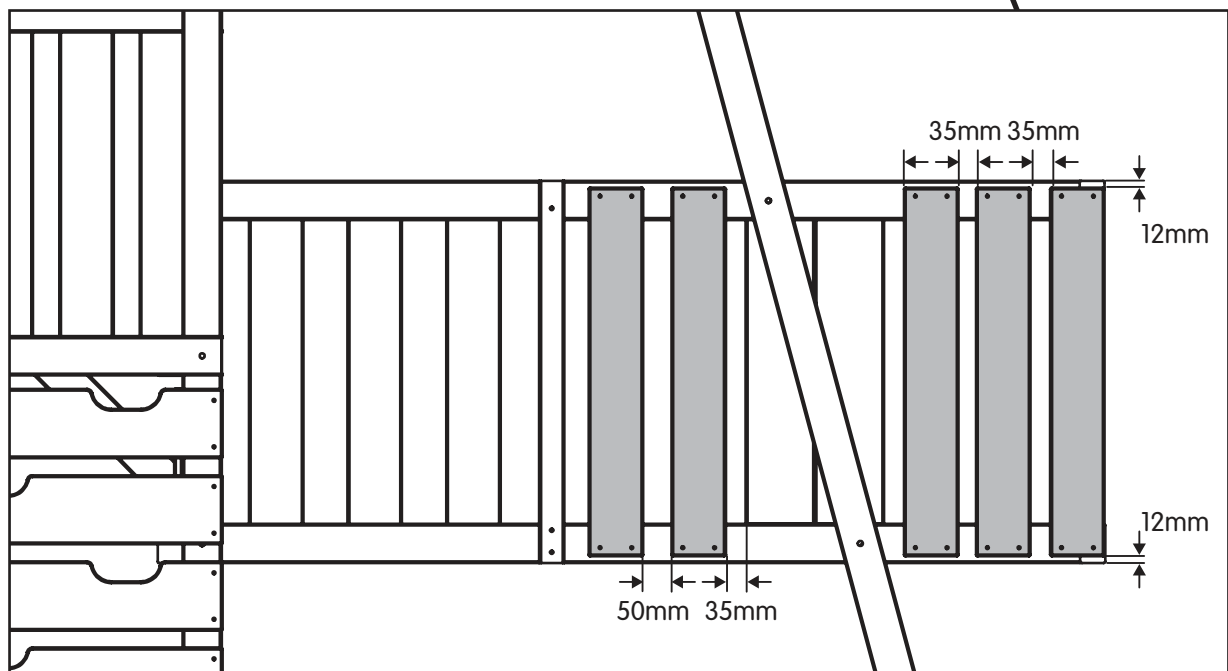
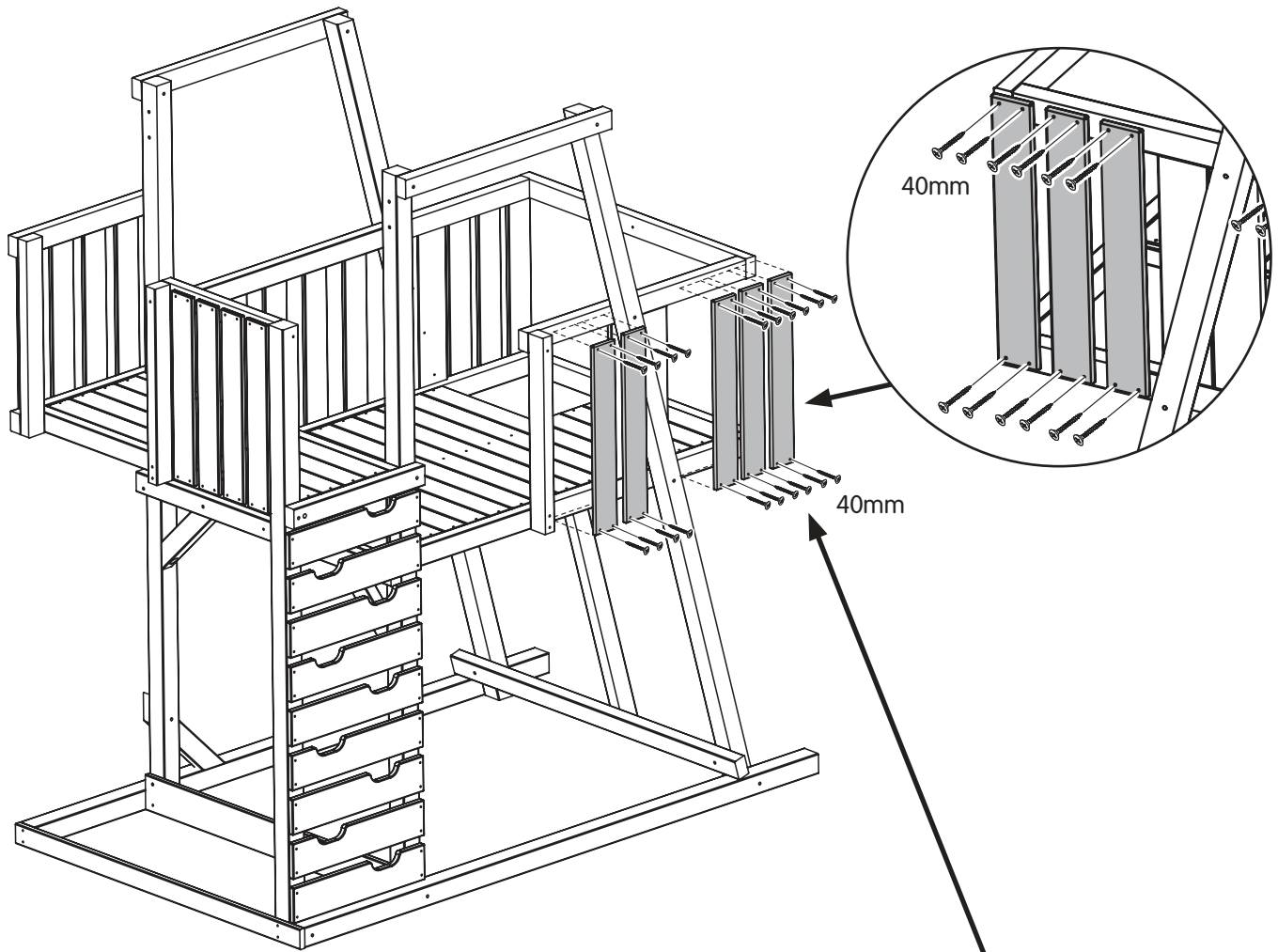
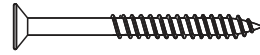
35

MW2023 650mm x5



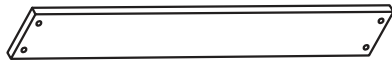
4.5mm x 40mm x20

FA4517

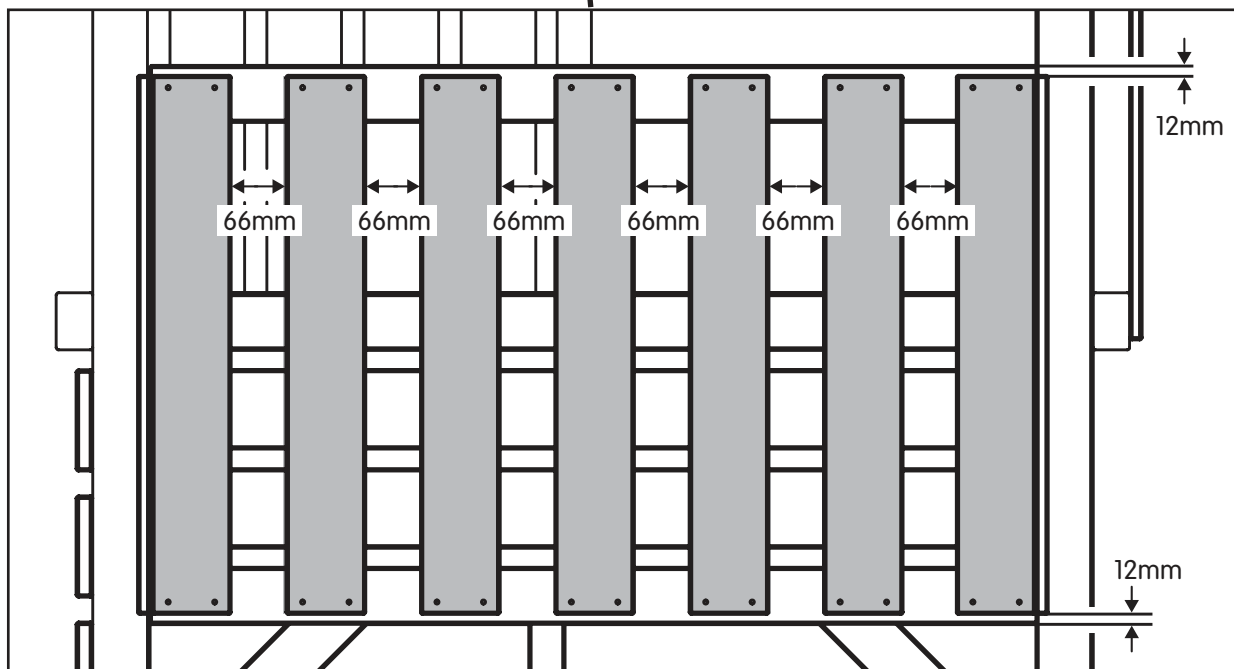
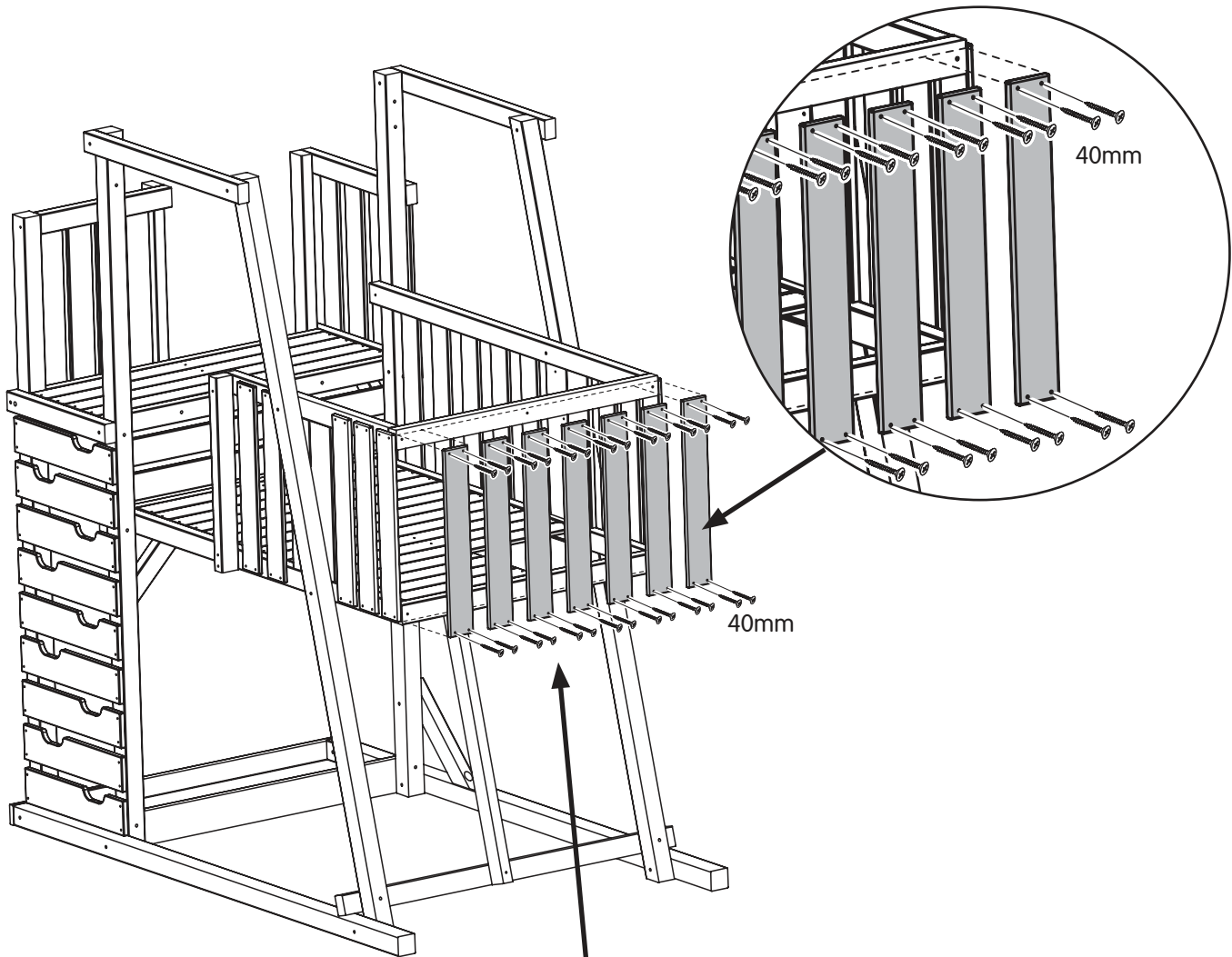
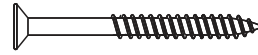


36

MW2023 650mm x7



4.5mm x 40mm x28
FA4517



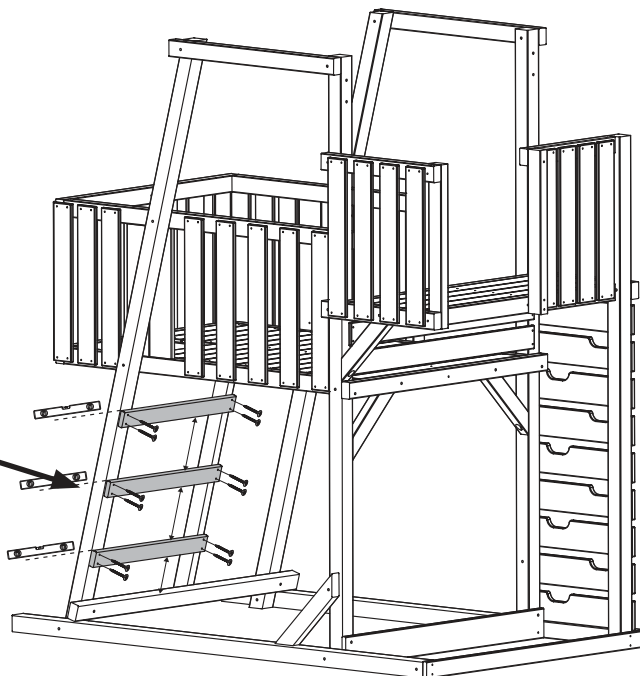
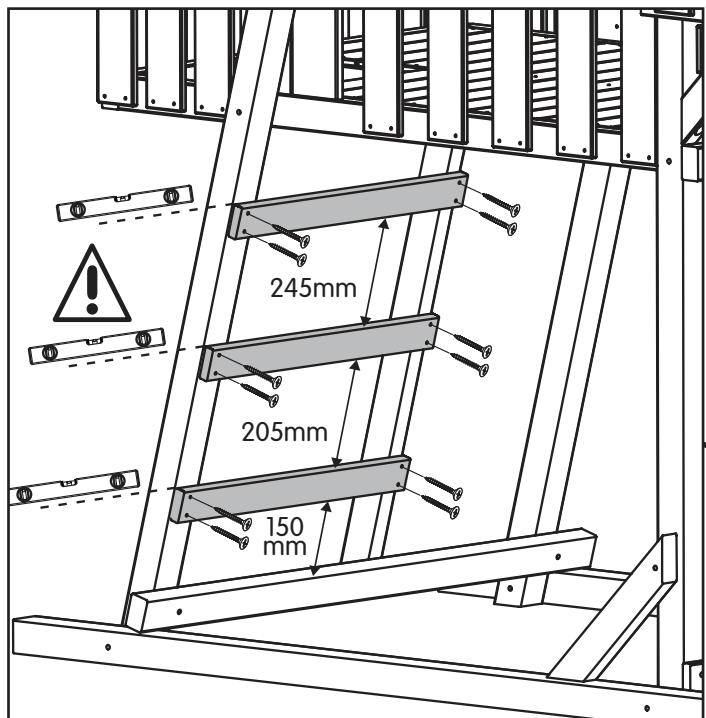
37

MW2100 678mm x3



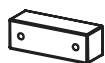
5mm x 60mm

FA9768
x12



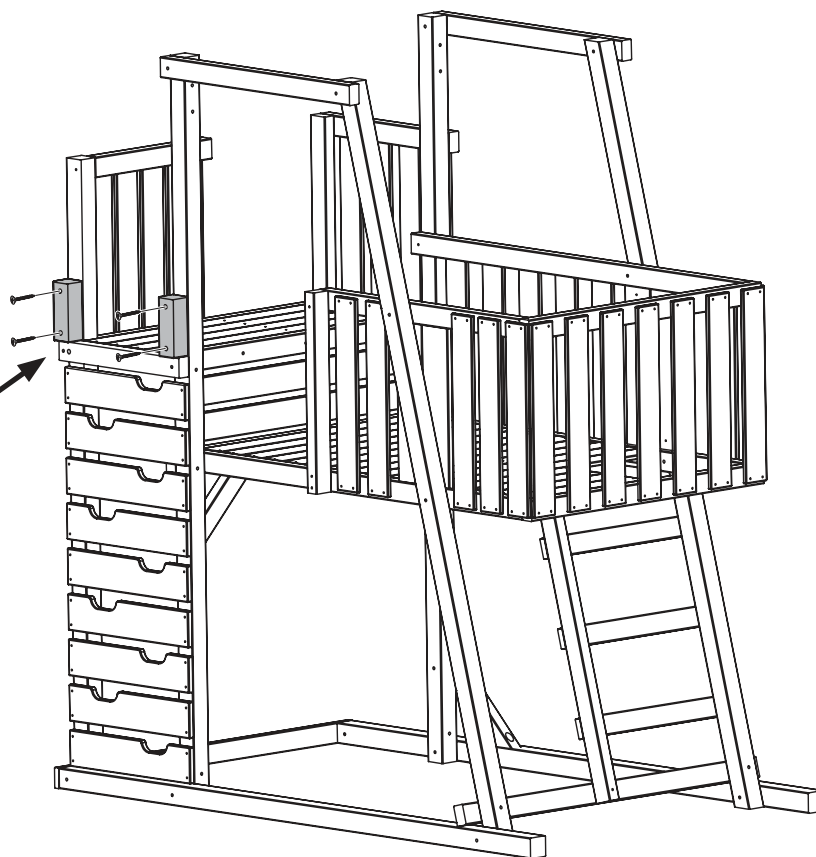
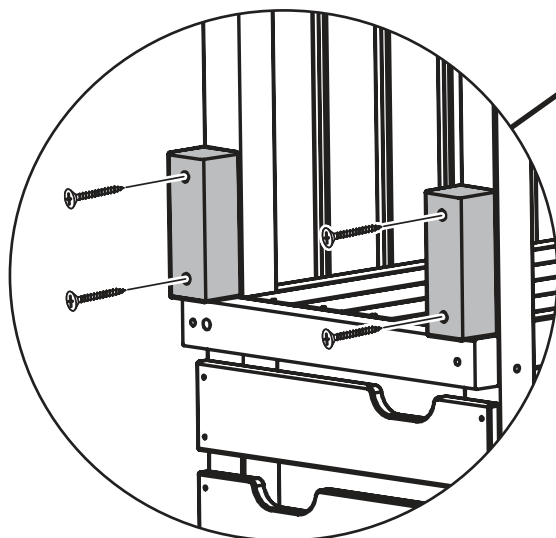
38

MW2103 200mm x2



5mm x 100mm x4

FA9761



39

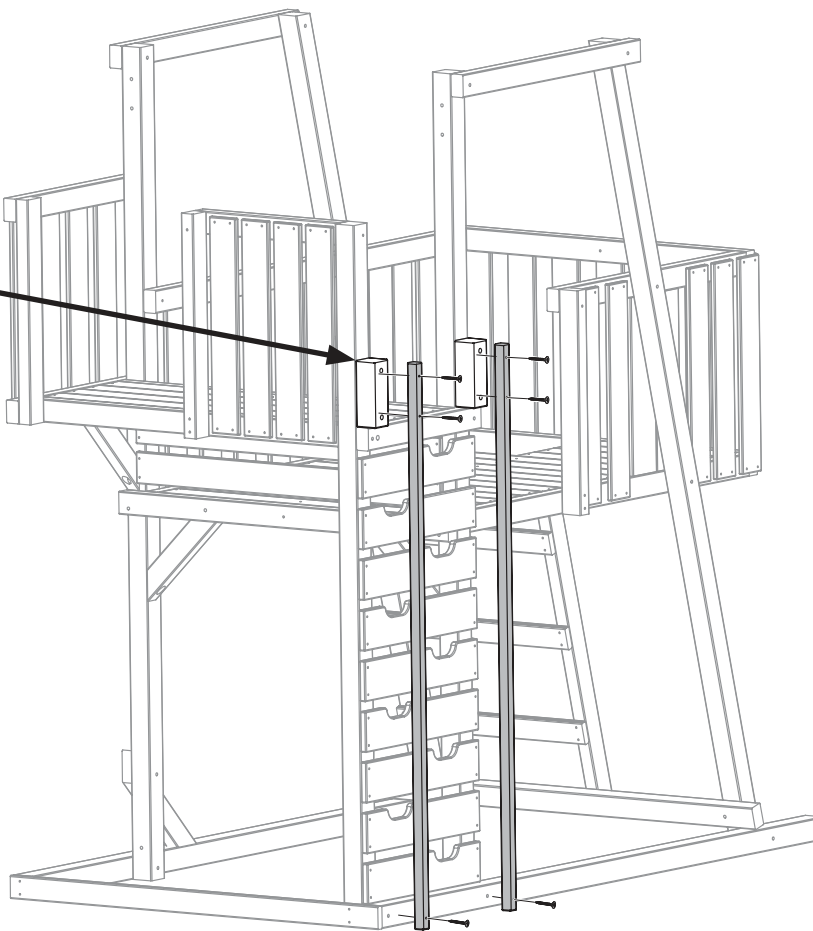
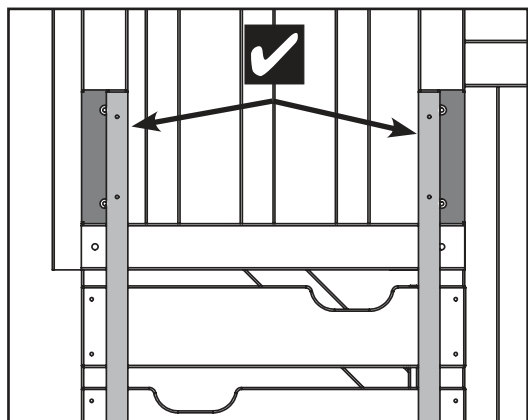
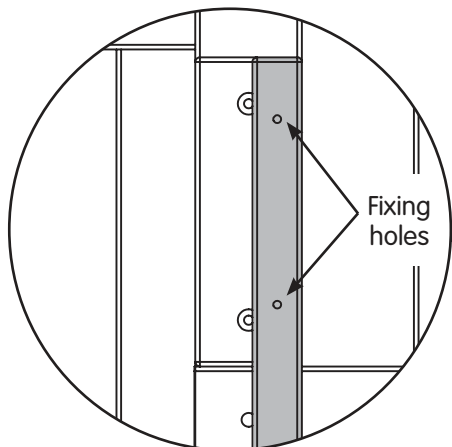
MW2104 1700mm x2



5mm x 60mm

FA9768

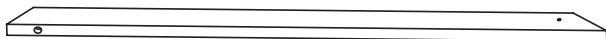
x6



40



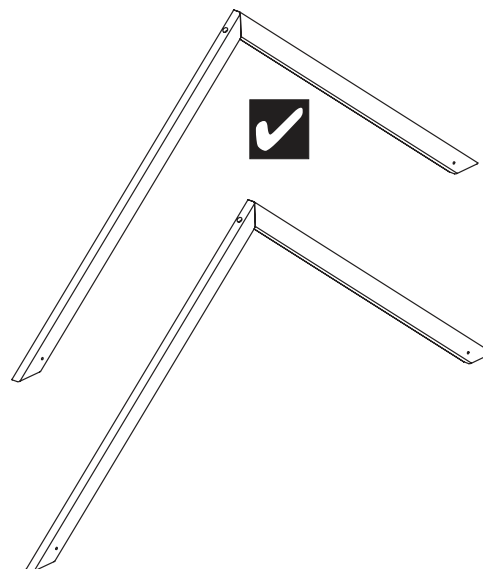
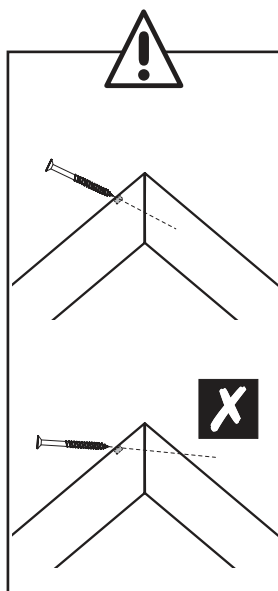
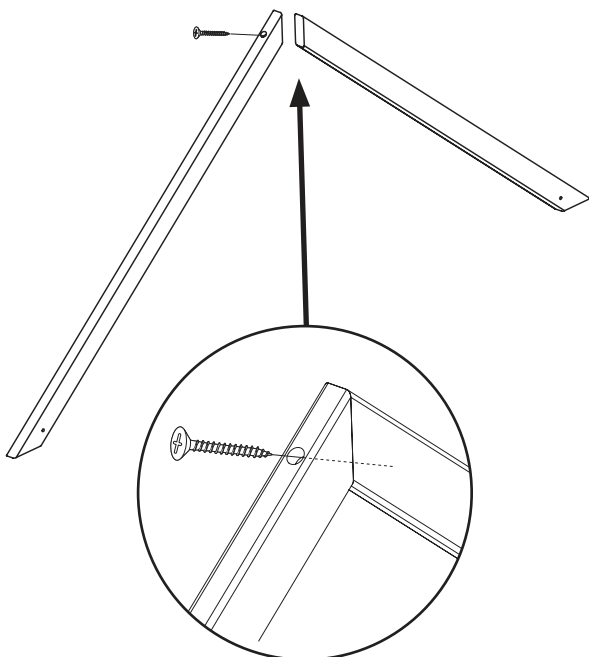
MW2096 912mm x4



5mm x 60mm

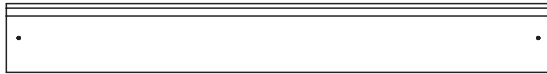
FA9768

x2

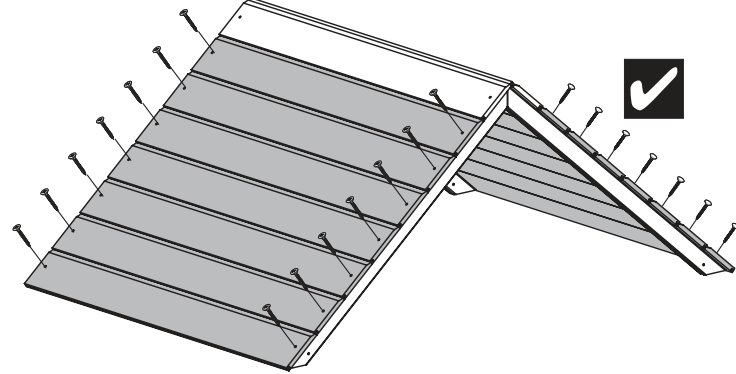
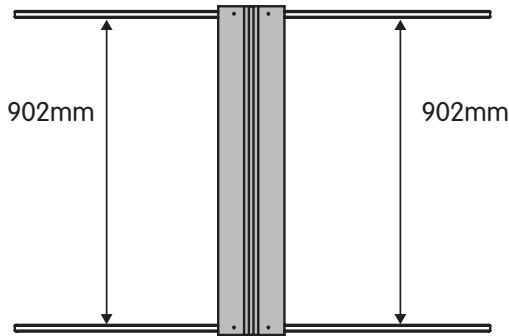
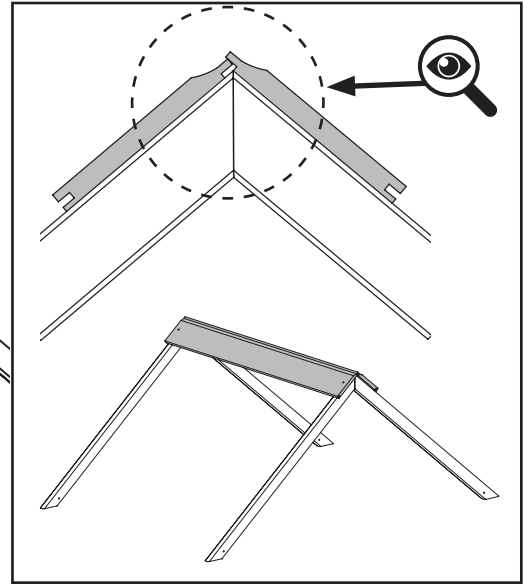
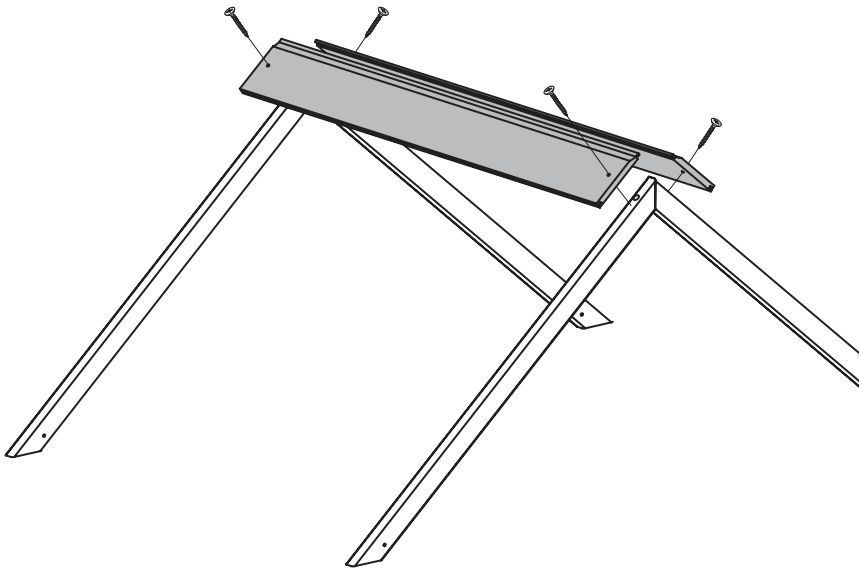
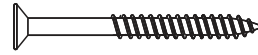


41

MW2014 966mm x16

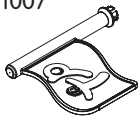


4.5mm x 40mm x32
FA4517



42

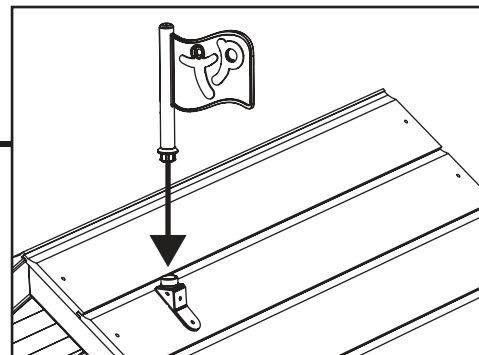
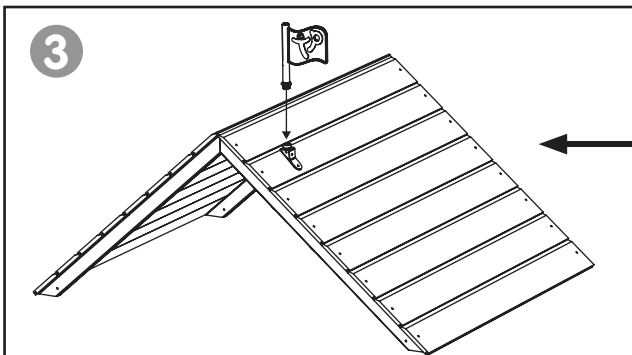
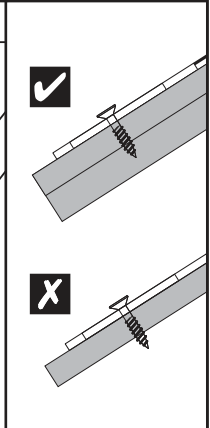
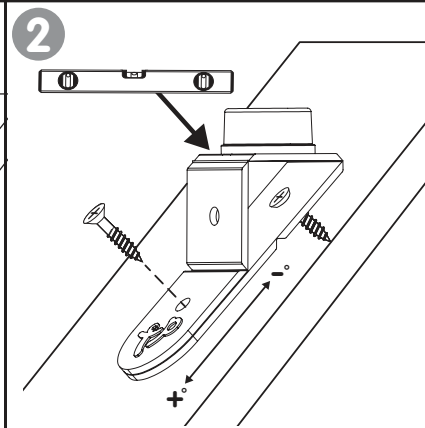
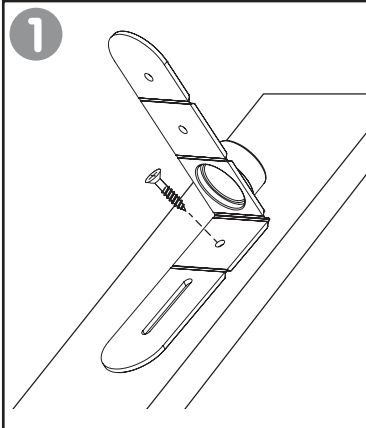
PM1007
x1



PM1968 x1



4 x 16mm x2
FA4527



33

TP Kingswood2 Tower

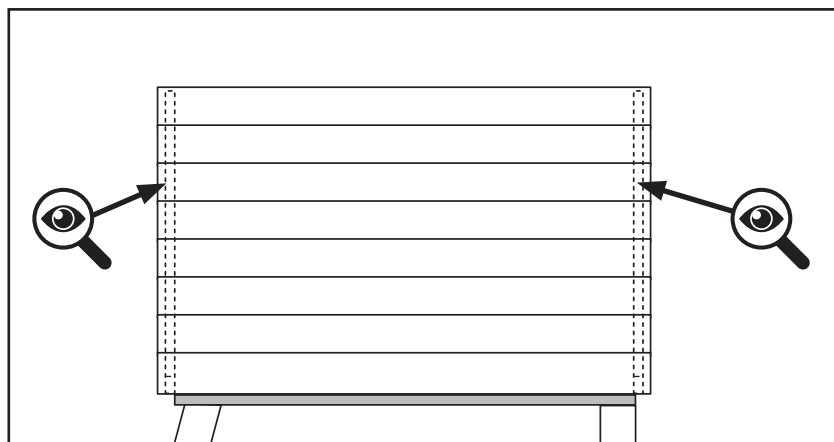
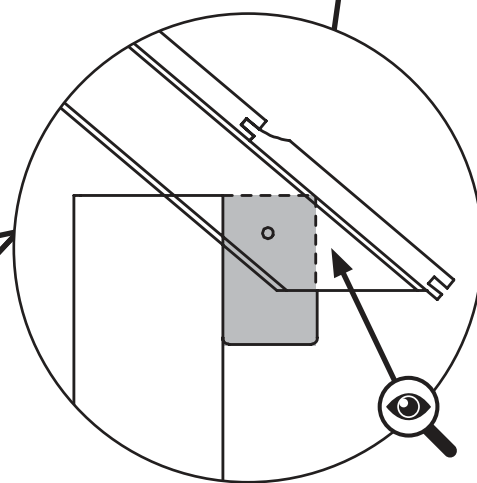
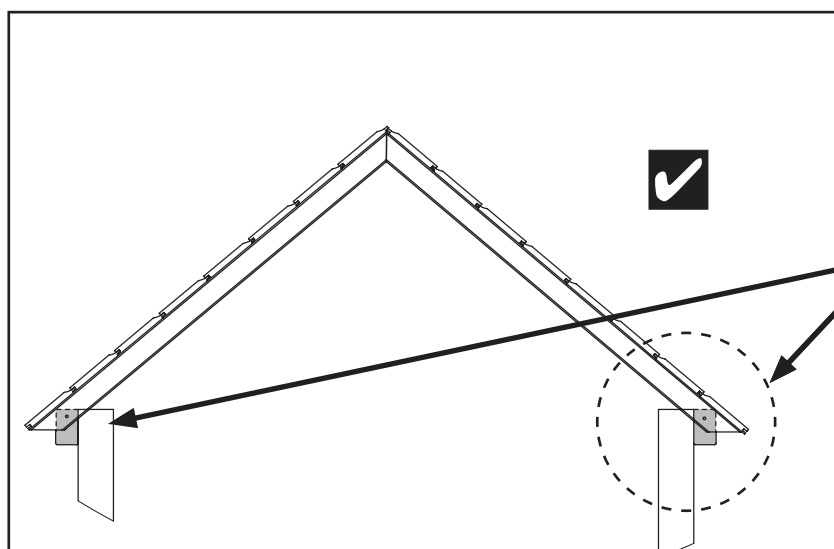
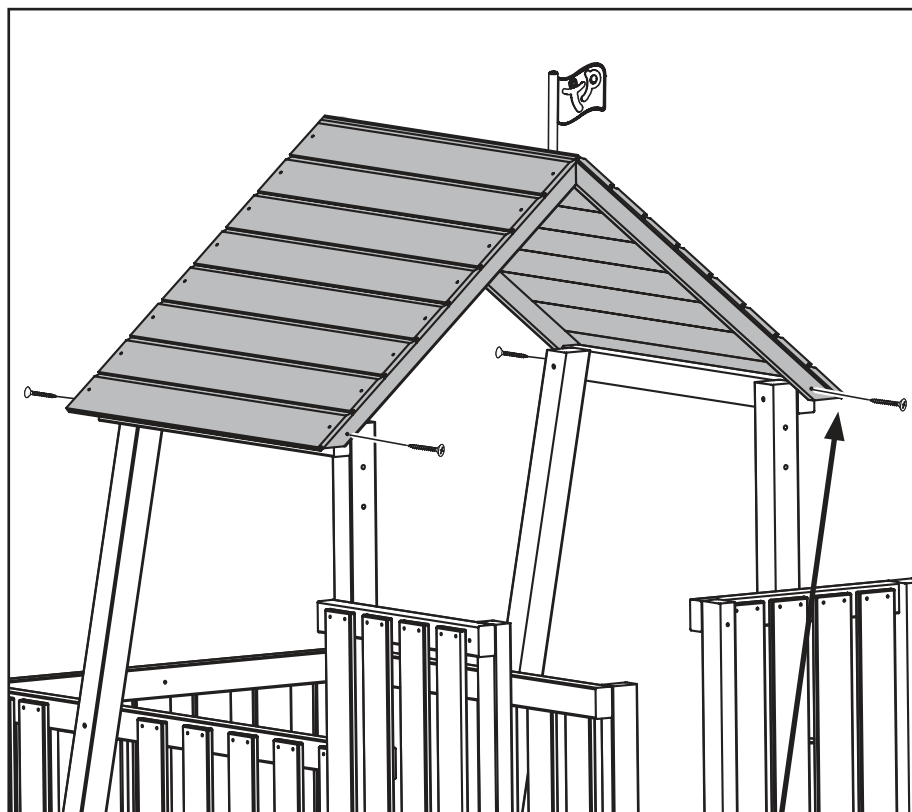
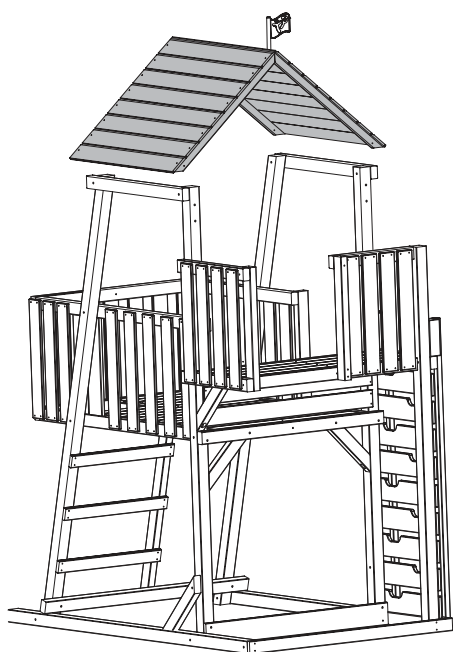
43



5mm x 60mm

FA9768

x4



44

MW2094 605mm x1



MW2023 650mm x4



MW2095 250mm x1



5mm x 60mm

FA9768

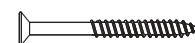
x2



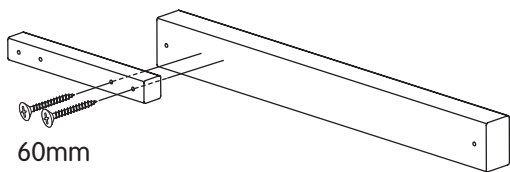
4.5mm x 40mm

FA4517

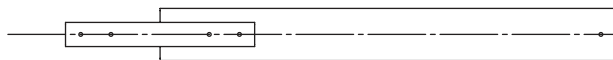
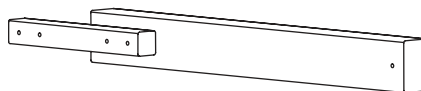
x8



A

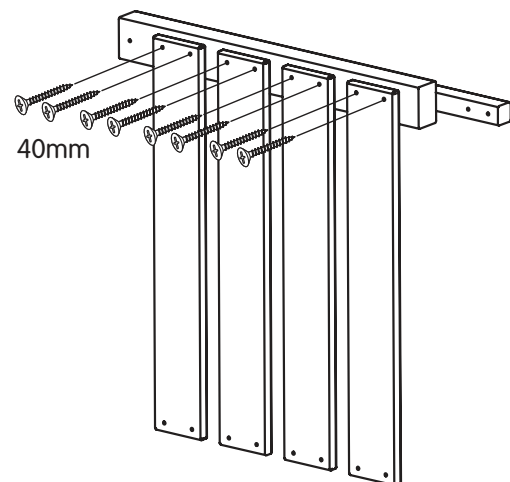


60mm

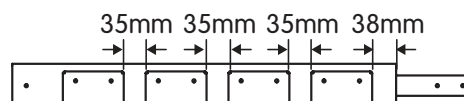


125mm

B



40mm

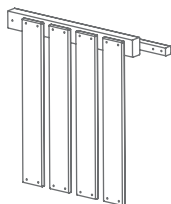


35mm 35mm 35mm 38mm

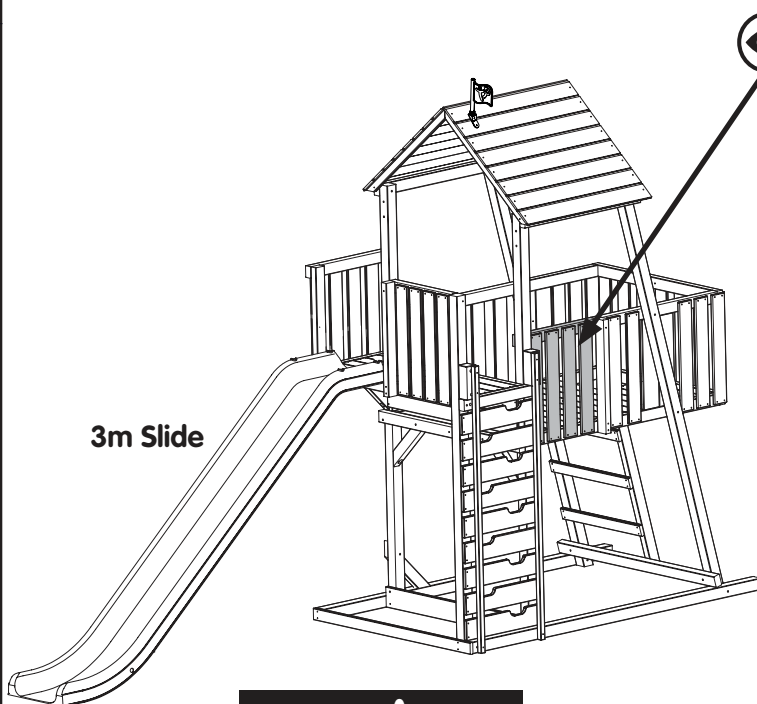
45



Position

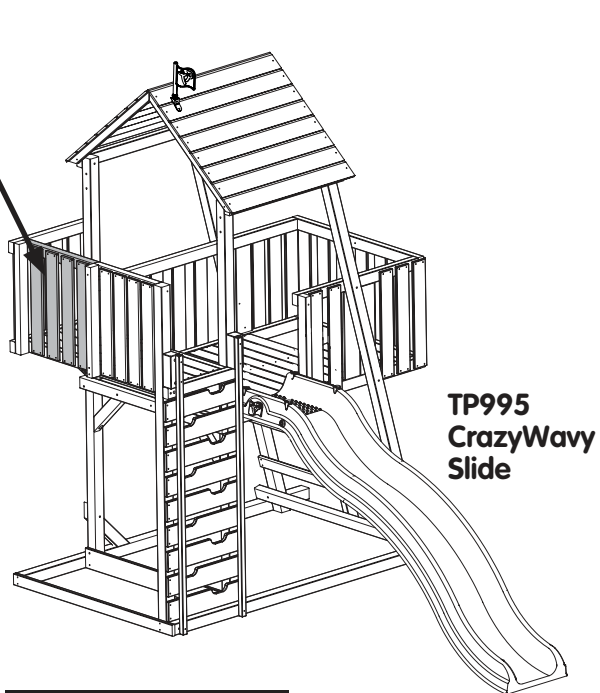


depending on your slide selection



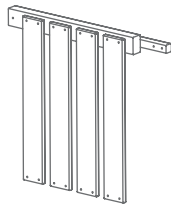
3m Slide

Build Option A
3m Slide



TP995
CrazyWavy
Slide

Build Option B
TP995 CrazyWavy Slide



5mm x 60mm
FA9768
x2



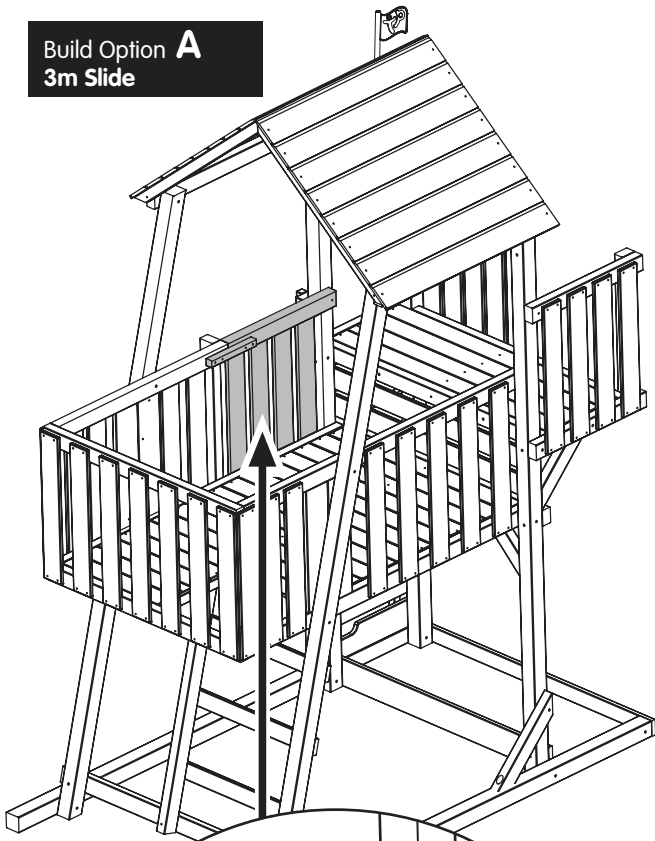
5mm x 100mm x1
FA9761



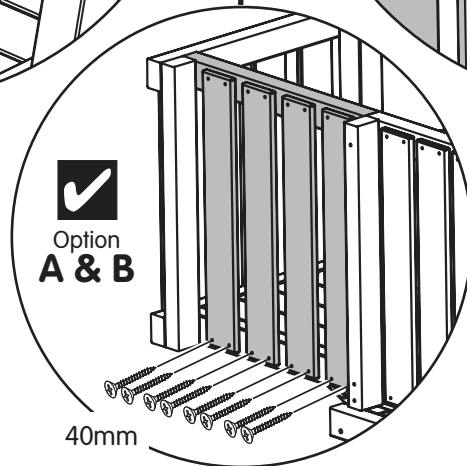
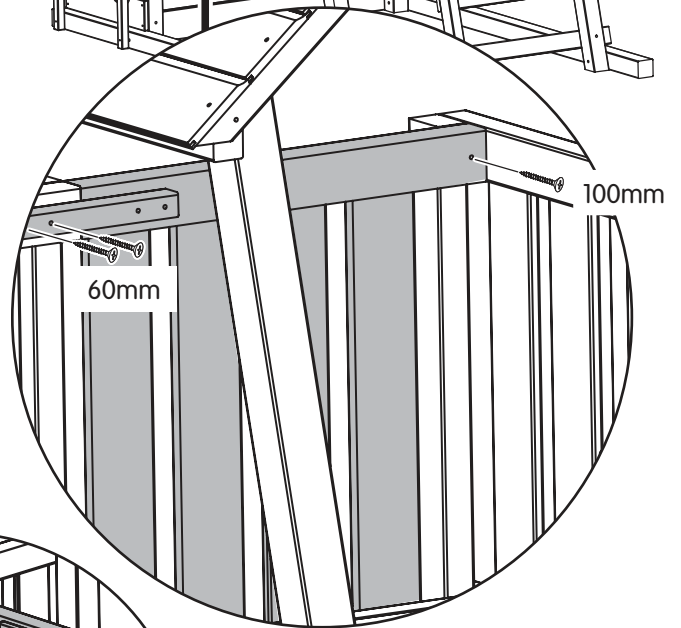
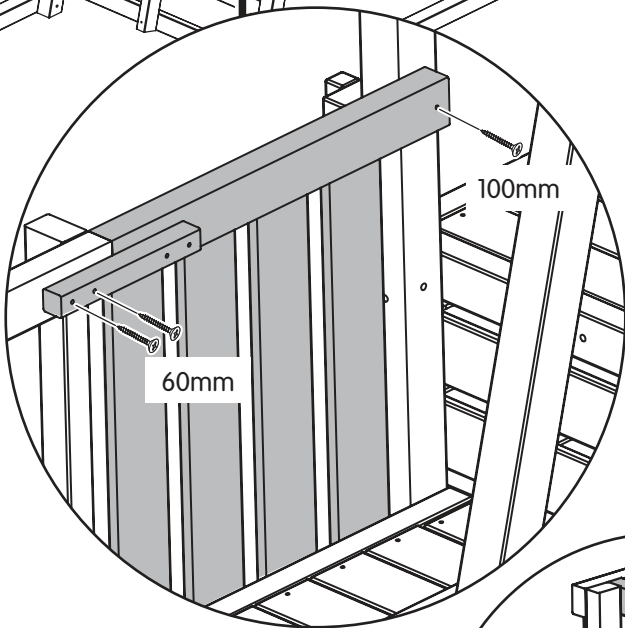
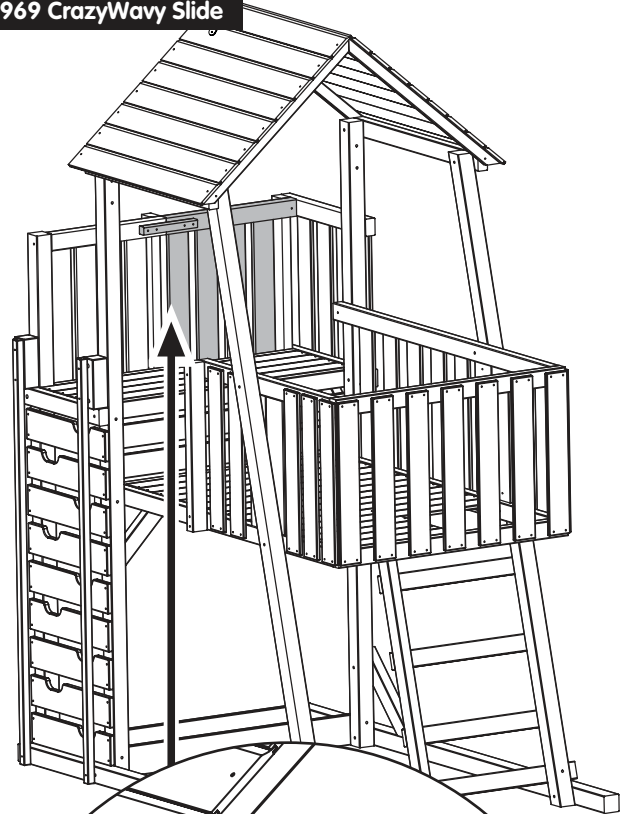
4.5mm x 40mm
FA4517
x8



Build Option A
3m Slide



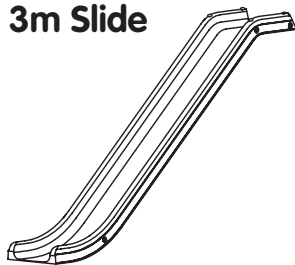
Build Option B
TP969 CrazyWavy Slide



Slide Attachment

3m Slide

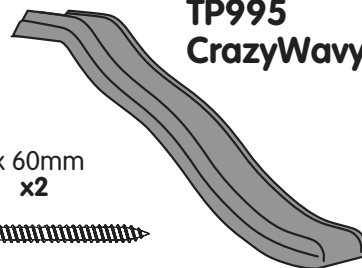
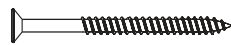
5mm x 60mm
FA9768 x2



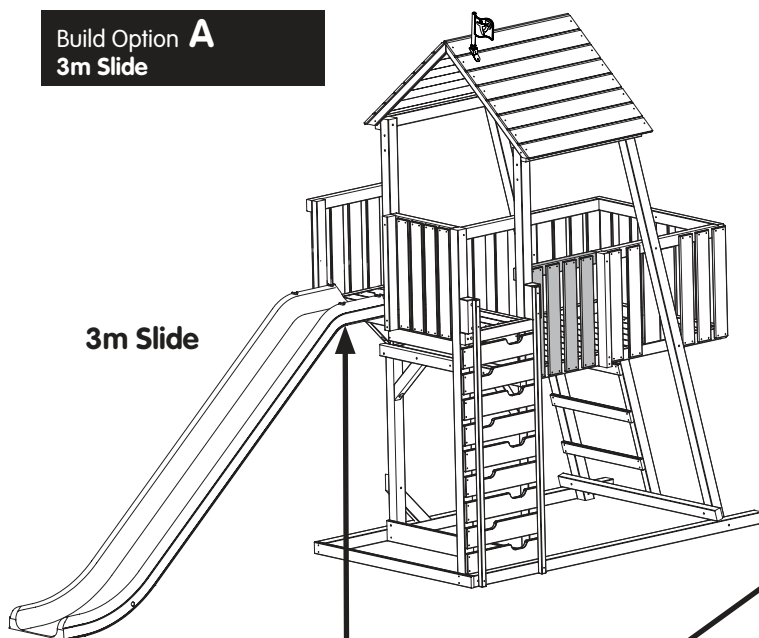
Slide Attachment

TP995
CrazyWavy Slide

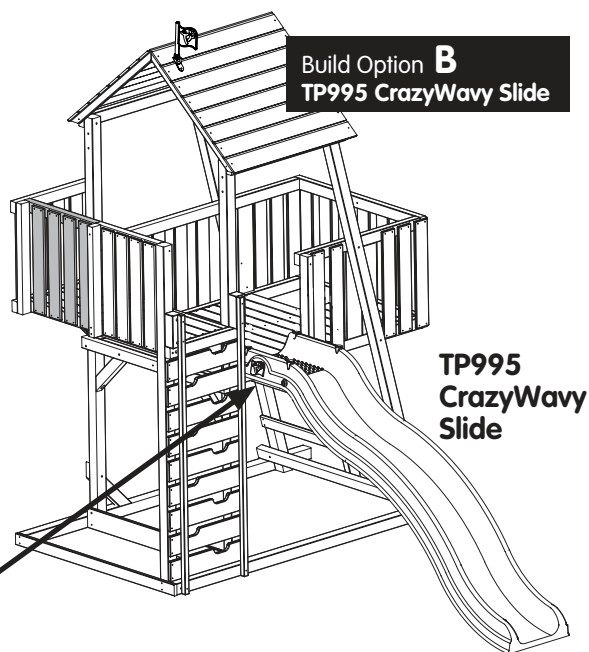
5mm x 60mm
FA9768 x2



Build Option A
3m Slide

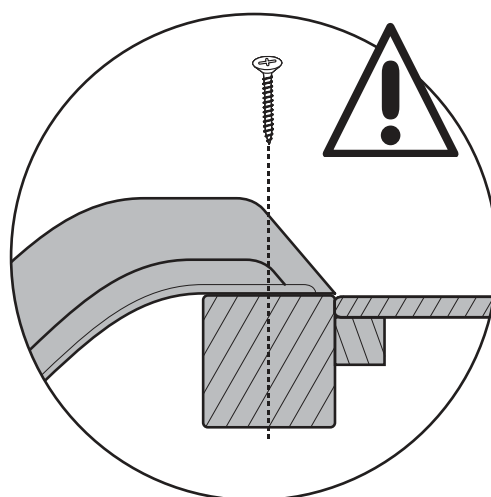
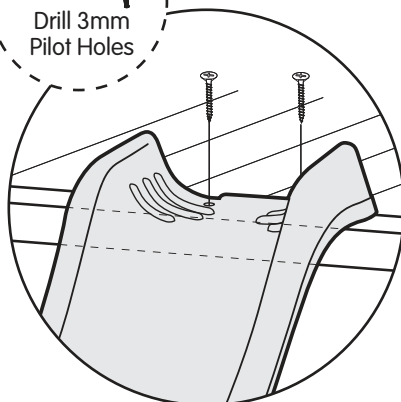
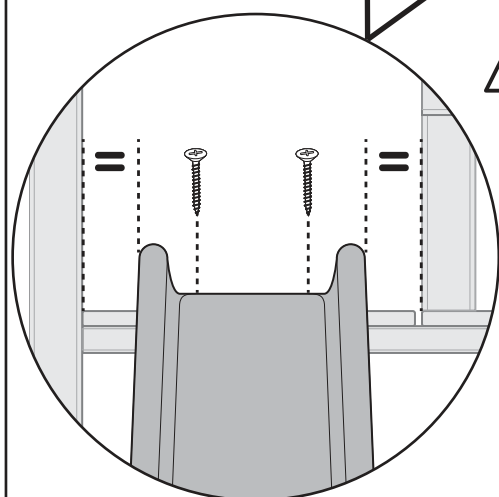


Build Option B
TP995 CrazyWavy Slide



3m Slide

TP995
CrazyWavy
Slide



48

PR5069 x4



M8 x 70mm x4
FA8439



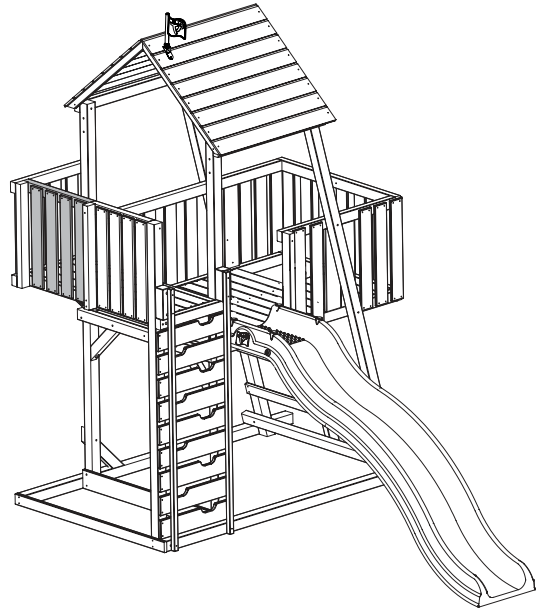
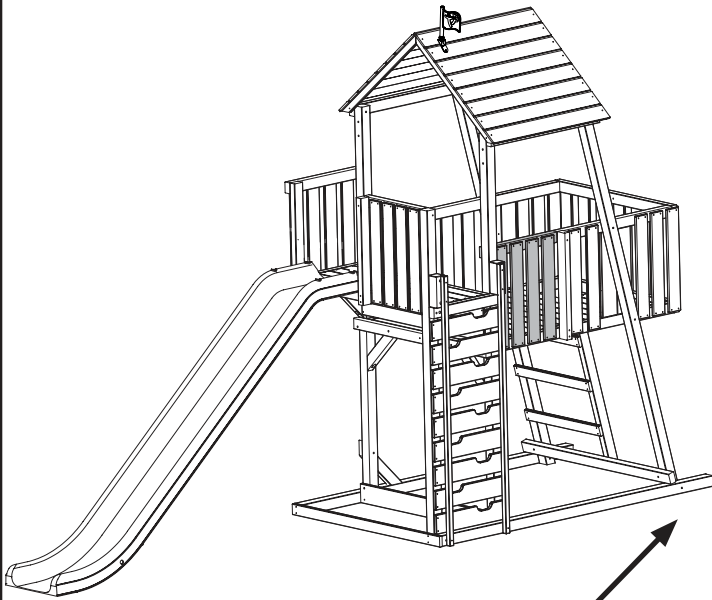
M8 x 25mm
FA7184



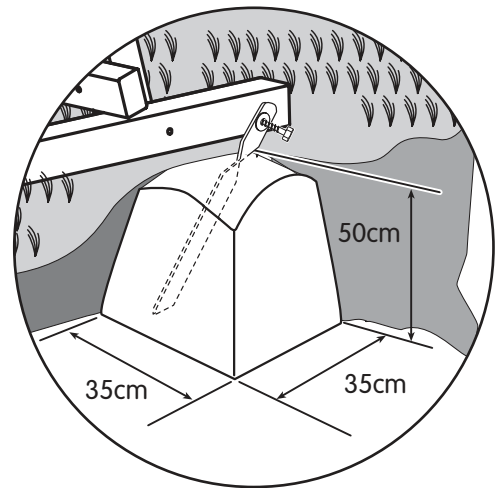
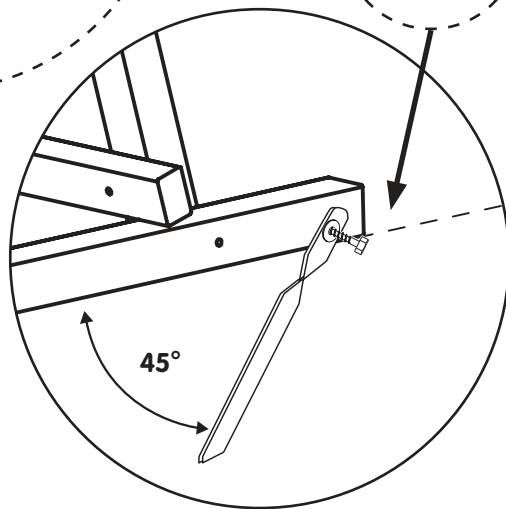
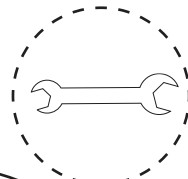
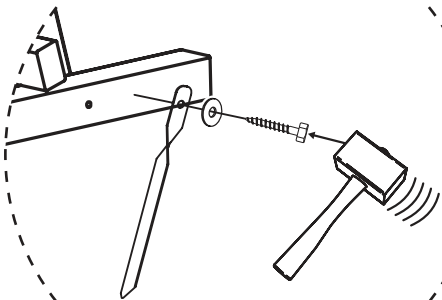
x4

Build Option A
3m Slide

Build Option B
TP995 CrazyWavy Slide



x4

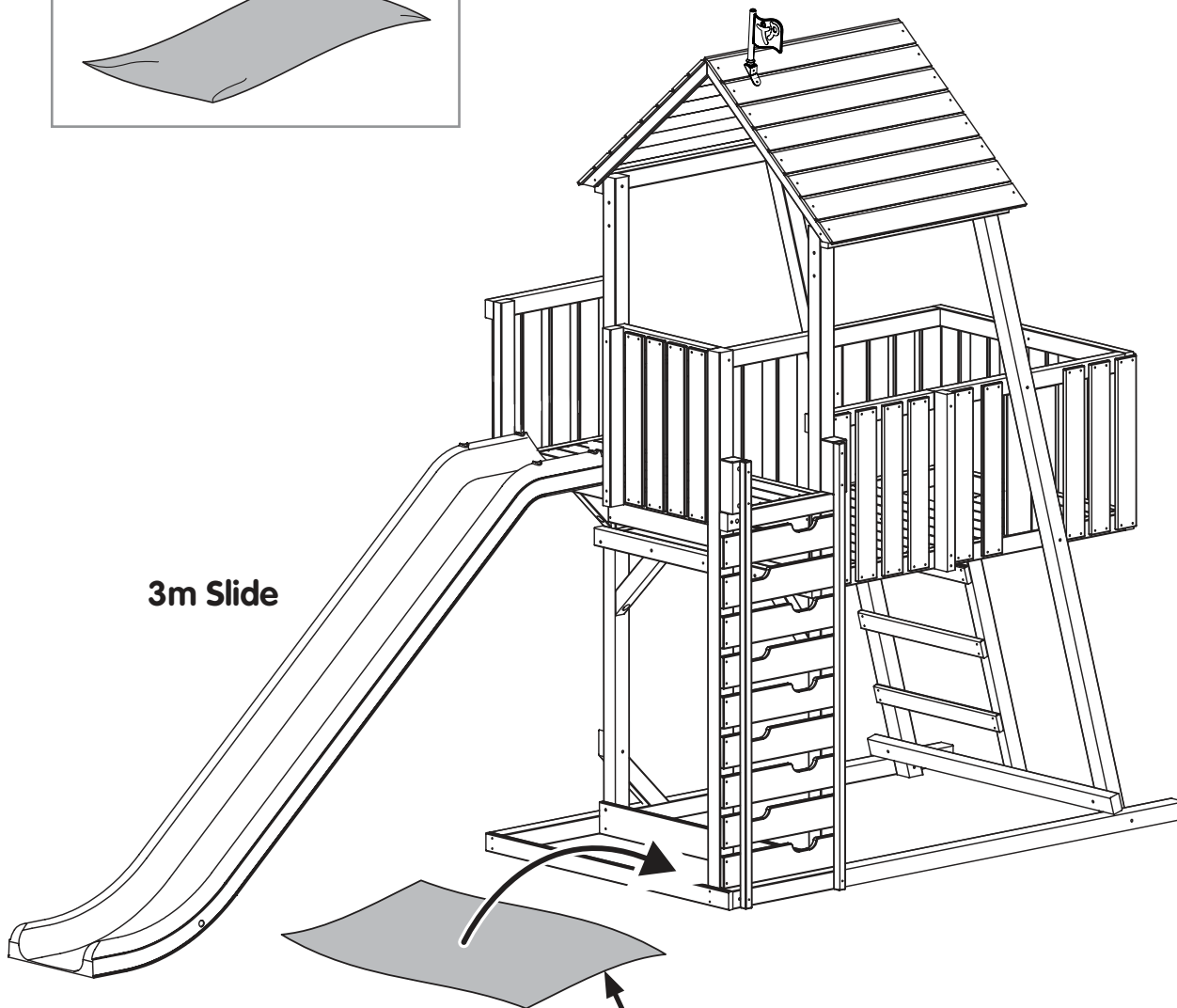
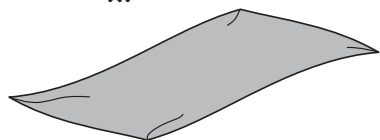


Set the stakes in concrete (as shown).
Never set the legs of the playset in concrete.

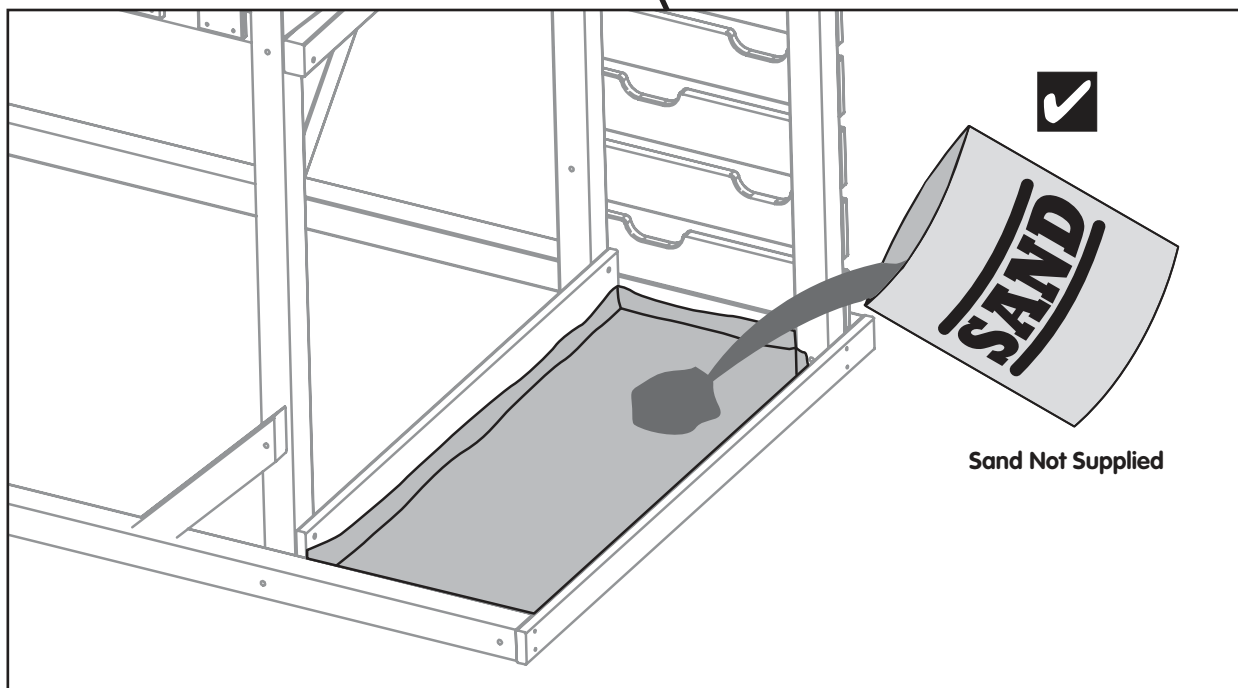
49

FB9985

x1



3m Slide



Sand Not Supplied



Thank you

Thank you for purchasing this product.

For Customer Service and help with your product please email

customerservice@tp toys.com

or use the contact us page **www.tptoys.com/pages/contact-us**

For product guarantee information visit **www.tptoys.com/pages/guarantees**

For spares & warranty enquiries for your product please visit **www.tpspares.com**

or use the spares contact page **www.tpspares.com/pages/contact-us**

Your Product Batch No is



Mookie France

Espace Mistral B, 375 avenue du Mistral,
13600 La Ciotat, France

*Robovision Ltd t/a TP Toys protects their unique designs worldwide with patents and design registrations.
For full information on the intellectual property relating to TP products please visit www.tptoys.com/intellectualproperty*

TP Part No: IN0476 - H 10 21