

User Manual

Smart Humidifier Max

Contents

Safety Instructions

General Safety
Power Cord & Plug

01

Included in the Box

02

Introduction

Part Names
Functions & Controls
Indicator Status

02

Getting Started

07

Filling & Refilling

07

Essential Oils (Optional)

09

Govee Home App

Downloading Govee Home App
Pairing with Govee Home App

10

Care & Maintenance

Cleaning Your Humidifier
Descaling Your Smart Humidifier
Cleaning the Aroma Pad & Absorption Pad
Replacing the Aroma Pad & Absorption Pad
Storing

11

Troubleshooting

For Humidifier
For App & Connectivity

16

Appendix

After-Sales Service
Specifications
Compliance Information

19

GoveeLife Smart Humidifier Max

User Manual

READ AND SAVE THESE INSTRUCTIONS

Safety Instructions

General Safety

- Only use the humidifier as described in this manual, and keep it out of reach from children.
- To reduce the risk of fire, electric shock, or other injuries, always follow all instructions and safety guidelines.
- Place the humidifier and cord so that it will not be knocked over. Do not place near large pieces of furniture or in high-traffic areas.
- Do not attempt to disassemble the humidifier or its components.
- To avoid the risk of electric shock, always unplug the humidifier from power before cleaning it or detaching the water tank from the base.
- Always place the humidifier on a flat, horizontal surface before using.
- Do not place the humidifier near heat sources such as stovetops, ovens, or radiators.
- Do not place the humidifier directly on carpets or rugs.
- Do not use non-GoveeLife humidifier parts as replacement parts for this product.
- Do not cover the nozzle while the humidifier is on, as this may damage the humidifier.
- Remove the water tank from the base before moving the humidifier.
- Do not immerse the humidifier base, power cord or plug in water.
- Not for commercial use. Household use only.
- Do not use the humidifier in wet environments. Do not allow water or other liquids inside the air vent.
- If the humidifier will not be in use for an extended period, it should be turned off and unplugged from power.
- Do not use detergents to clean the humidifier. Only use distilled white vinegar.
- Do not clean the humidifier immediately after turning it off, especially if it has been diffusing warm mist. Allow the humidifier to cool down completely before cleaning.
- If the humidifier is damaged or is not functioning properly, stop using it and contact Customer Support immediately.

Power Cord & Plug

- This appliance has a polarized plug (one blade is wider than the other). To reduce the risk of electric shock, this plug is intended to fit in a polarized outlet only one way. If the plug does not fit fully in the outlet, reverse the plug. If it still does not fit, contact a qualified electrician. Do not attempt to defeat this safety feature.

- Do not handle the power cord or plug with wet hands. Keep the power cord and plug away from liquids.
- This humidifier uses standard US 120V, 60Hz outlets. If using it outside the US, check the compatibility.

Caution

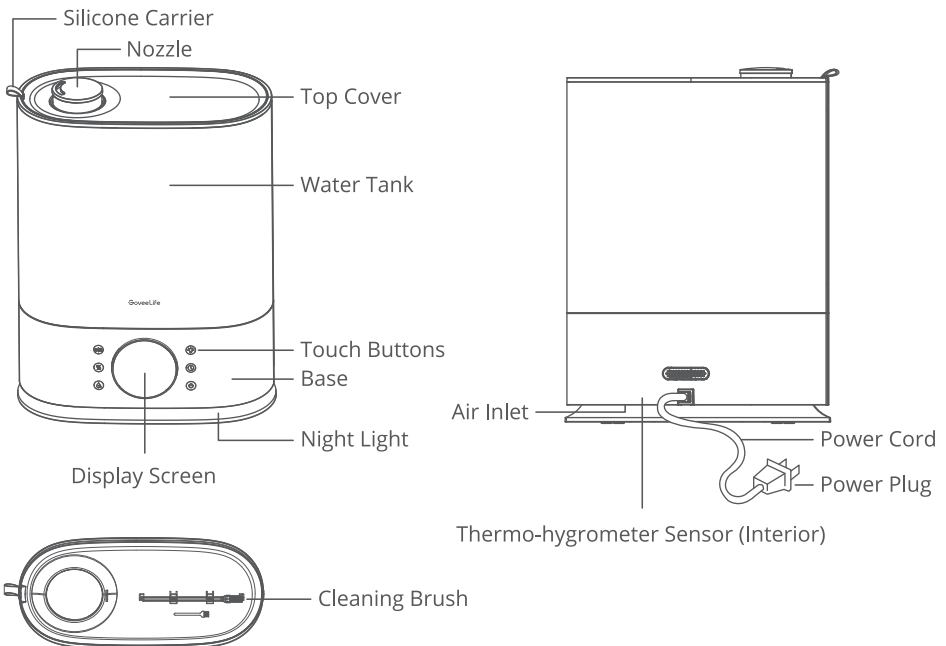
1. Only add essential oils to the aroma pad.
2. Burn Hazard: Let the nozzle, mist tube and base cool first before cleaning or touching.

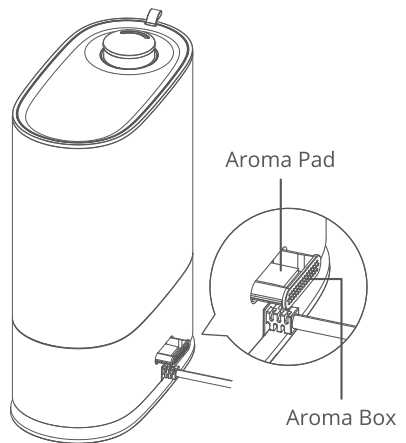
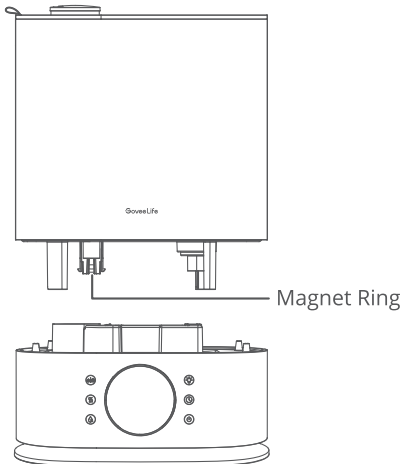
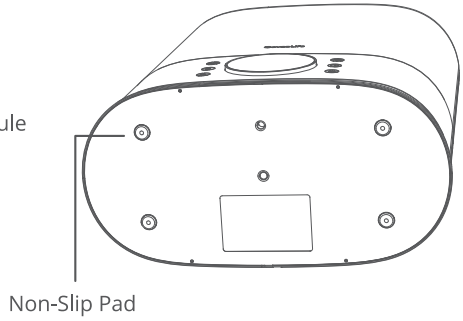
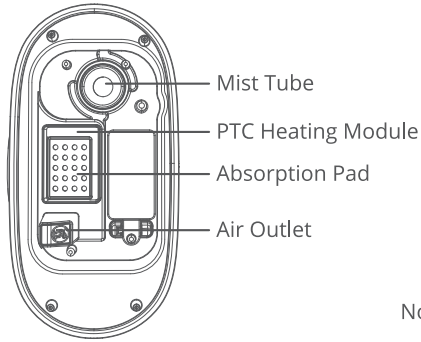
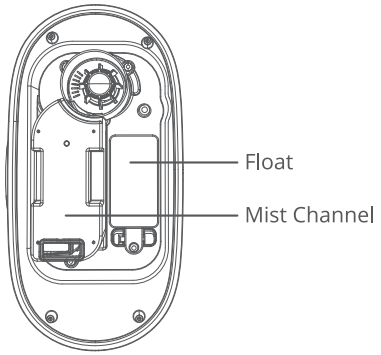
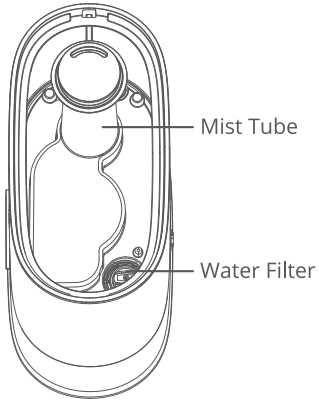
Included in the Box

Item	Quantity
Humidifier	1
Cleaning Brush	1 (Built-in)
Aroma Pad	1 (Included) 2 (Extra)
Absorption Pad	1 (Included) 2 (Extra)
Quick Start Guide	1
User Manual	1

Introduction

Part Names





Functions & Controls

You can access additional features using Govee Home App.



On/Off Button

Touch to turn on/off.

Note:

- When the humidifier is powered off, its fan will continue spinning for 15 seconds to clear away any internal mist to avoid water vapor accumulation that may affect the life of the humidifier.
- Follow the in-app instructions to press the power button when pairing with the app.



Mist Level Button

Touch repeatedly to cycle through Low, Medium and High mist levels and Auto Mode.

Auto Mode: In this mode, the humidifier will automatically adjust the mist output so that the ambient humidity can stay close to the target value.

Note:

- In Auto Mode, the humidifier will start misting when the humidity is lower than the target value. When the Auto Stop switch is enabled in the app and the target humidity value is reached, the humidifier will stop misting.
- More Auto Mode settings can be accessed in the app.
- It is recommended to use the humidifier together with Govee Thermo-Hygrometer to bring you a better experience of constant humidity



Timer Button

Touch repeatedly to cycle through 1-24H. The humidifier will automatically power off once the countdown of the timer ends.

Long press for 2 seconds to cancel the Timer if necessary.



Target Humidity Button

Touch to cycle through target humidity of 40~80%. Add humidity by 5% with each touch. The ambient humidity will be maintained close to the target value in Auto Mode.

- When adjusting the target humidity, the humidifier will enter the Auto Mode automatically.
- In Auto Mode, a margin of error of 1%-3% might exist to avoid damage caused by repeatedly turning the device on and off due to environmental changes.



Night Light Button

Touch to turn the night light on/off.

Note: More night light settings can be accessed in the app.



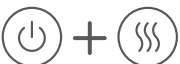
Warm Mist and Lock Button

Touch to turn the Warm Mist on/off. The humidifier will mix the cool and hot mist to form warm mist.

Touch and hold for 3 seconds to turn the Lock on/off. When the Lock is on, the button does not respond to any touch, preventing children from accidentally changing any settings.

Note:

Warm Mist is an independent feature. You will get warm mist if you turn it on and cool mist if you turn it off. In this mode, you can adjust the mist output by touching the Mist Level Button.



Recovery Button

Touch and hold these two buttons simultaneously for 5 seconds until all indicators flash once to restore the humidifier to factory settings if it cannot function well. Then the humidifier will disconnect from Wi-Fi and Bluetooth and automatically reboot.







Note:

After restoring the humidifier to factory settings, go to “My Devices” page on the app to delete this humidifier first, otherwise it cannot be added to the app again.

Memory Function

The humidifier will save its previous settings when powered off (such as mist level, mode, and Wi-Fi connection). When it is powered back on, the settings will resume.

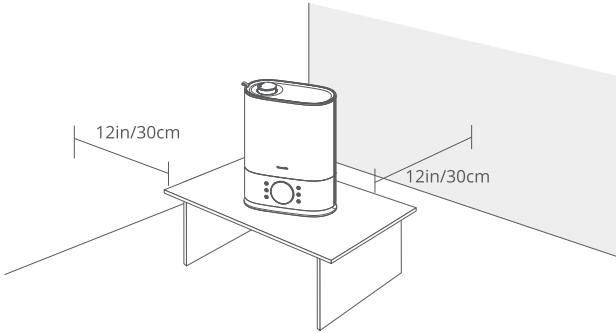
Indicator Status

Indicator	Working Status	Light Status
	Timer is On	Solid White
	Water Tank Pulled Out/Running Out of Water	Solid Red
	Water Detection Exception	Keeps Flashing Red
	Warm Mist is On	Solid White
	Warm Mist Exception	Flashes White
	Locked	Solid White
	Lock Reminder	Triple Flashes
	Auto Mode is On	Solid White
01	Mist Level I	Solid White
02	Mist Level II	Solid White
03	Mist Level III	Solid White
Auto	Auto Mode	Solid White
88%	Humidity	Solid White
EA	Warm Mist Exception	Solid White for 5s
	Ready for Wi-Fi Connection	Slowly Flashes White
	Wi-Fi is Connecting	Quickly Flashes White
	Wi-Fi is Connected	Solid White

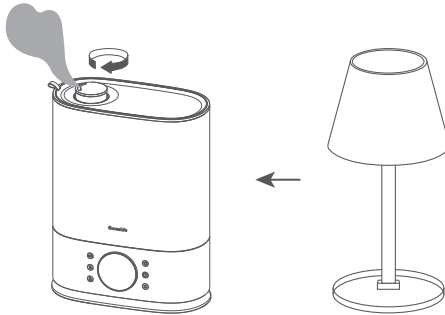
Note: Find solutions for feature exceptions in the Troubleshooting section.

Getting Started

1. Remove all packaging, clear tape, and protective foam (including inside the base).
2. Clean the water tank before using the humidifier for the first time.
3. Place the humidifier on a hard, flat, and water-resistant surface and at least 12 inches (30cm) away from any walls.



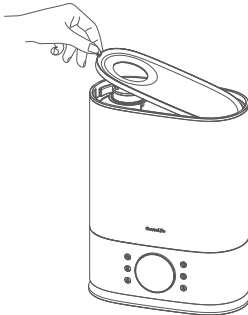
4. Direct the mist away from walls, furniture, bedding, other appliances, and electronics.



Filling & Refilling

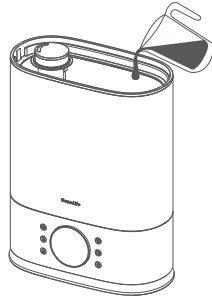
Note:Please change the water at least once every two days to avoid breeding bacteria.

1. Pull the silicone carrier and remove the top cover.



2. Fill the tank with room-temperature water, **not** warm or hot water.

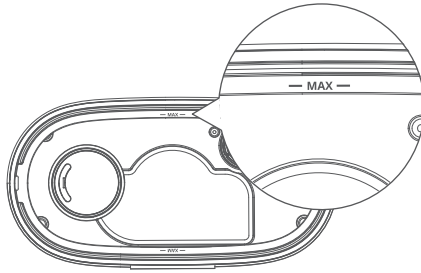
Note: It is recommended to fill the tank with purified or distilled water instead of tap water that may result in white dust (dried minerals) on surfaces.



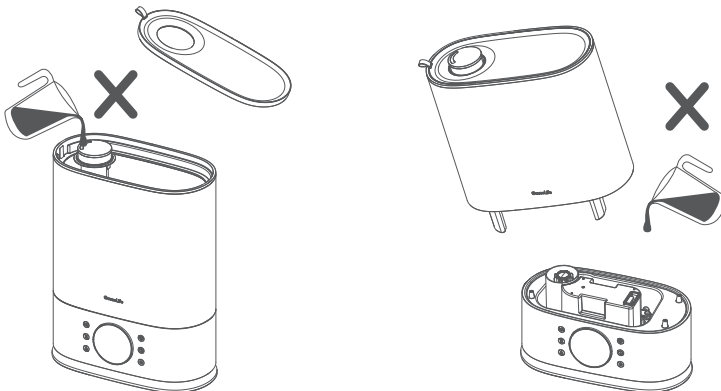
3. Replace the water tank cover.

Caution

Do not fill past the tank's max water line.



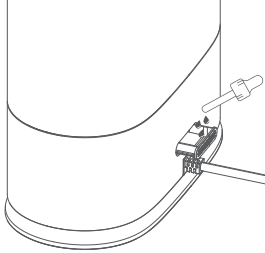
Do not fill water into the mist tube or base.



Essential Oils (Optional)

1. Press to pop out the aroma box from the back of the base.
2. Add 8 to 10 drops of essential oils on the aroma pad.

Note: Be careful not to spill essential oils out of the aroma box to avoid contaminating the inside of the product.

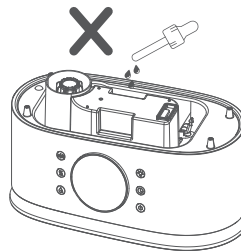
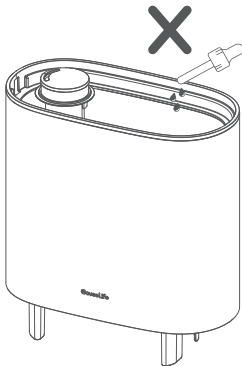


3. Push the aroma box back into the humidifier.

Note: For better aromatherapy, always clean the aroma pad before adding new essential oils.
Do not mix essential oils.

Caution

Do not add essential oils to the water tank or base. Only add essential oils to the aroma box.



Govee Home App

You can access more features using Govee Home App.

Downloading Govee Home App

To download Govee Home App, scan the QR code or search for “Govee” in the Apple App Store® (iOS) or Google Play Store (Android).



Govee Home App



Note:

- Choose “Allow” to the permissions requested when opening Govee Home App for the first time. These permissions allow the app’s features to function normally and are not used to record personal, private information.
- Due to ongoing updates, Govee Home App may be slightly different than shown in this manual. In case of any differences, always follow the in-app instructions.

Pairing with Govee Home App

1. Turn on your smartphone's Bluetooth. Connect to your Wi-Fi router's 2.4GHz network. 5GHz is not supported.
2. Android users turn on Location Services; IOS users choose Location ->Always On in the pop-up window while adding devices.

Note:

- For IOS users, if you chose Location->Never, it might result in notifications/alert exceptions. It is recommended to follow Settings ->Govee Home ->Location ->Always On to obtain the best experience.
 - Govee Home WILL NOT collect, use, or share your location in any way.
3. Open Govee Home App, tap the “+” icon in the top right corner and search for “H7143.”
 4. Tap the device icon and follow the in-app instructions to complete the Bluetooth and Wi-Fi connection.

Note:

- Method to turn off Bluetooth and Wi-Fi connection: Press and hold the Power Button and Mist Level Button for 5s to restore the device to factory settings, then go to “My Devices” page on the app to delete this humidifier first, otherwise it cannot be added to the app again.
- You can use Govee Home App to connect your humidifier to Amazon Alexa or Google Assistant. Follow the in-app instructions to connect to each voice assistant.
- Govee Home App is being continually updated and its features do expand.

Care & Maintenance

Note:

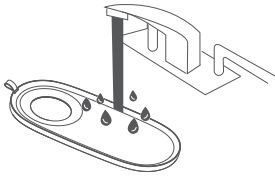
- All maintenance should be done on a water-resistant surface, such as a kitchen counter.
- Use a tissue or cloth to clean the nozzles regularly.
- If not using the humidifier for 1 week or longer, do not leave water inside. Clean and dry the humidifier instead.

Cleaning Your Humidifier

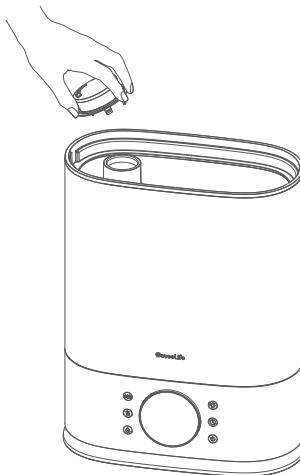
It is recommended to clean the water tank and base every 3 days and when you're ready to store it.

Note:

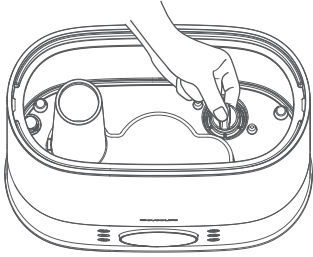
- **Never** immerse the base in water or other liquids.
 - **Do not** use detergents to clean the humidifier.
1. Unplug the humidifier from power before cleaning.
Note: If you've been using the warm mist setting, allow the humidifier to cool before cleaning.
 2. Pull the silicone carrier and clean the top cover.



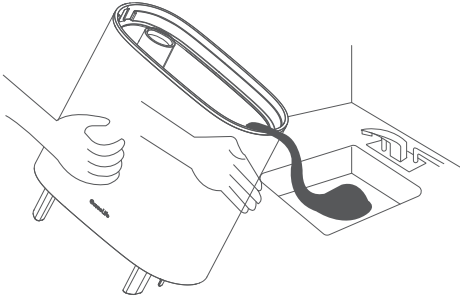
3. Unplug the nozzle upright.



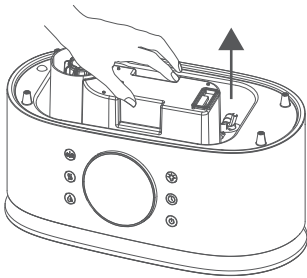
4. Grab the handle of the water filter and unplug it upright.



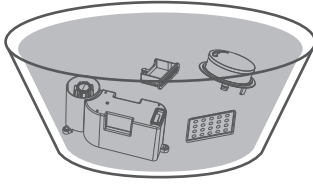
5. Take out the water tank and pour away the water left inside.



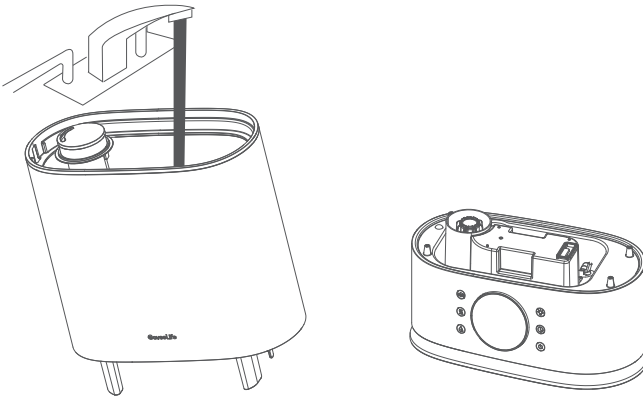
6. Pull out the mist channel and pour out the water left inside the base.



7. Take out the absorption pad and the aroma box. Rinse all parts (except the outside of the base) with room temperature water.



8. Rinse the tank and the base chamber with room temperature water.

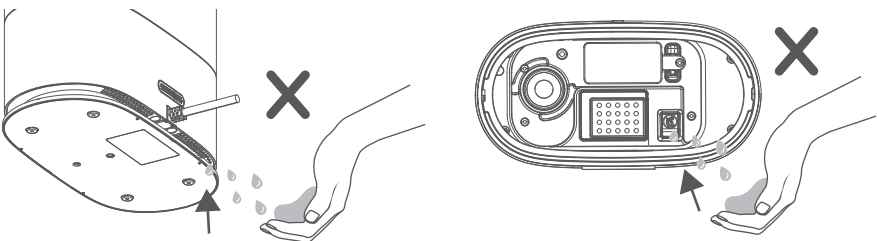


9. Dry all parts with a cloth. Make sure every part is in place before use or storing.

Note: Make sure the mist channel and the float are already in place before use. Otherwise, it will affect the mist output.

Caution

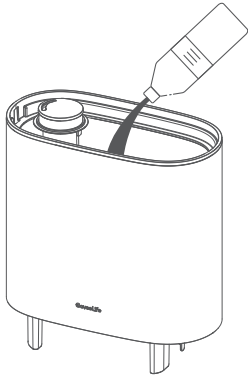
Do not let water enter the air inlet or outlet as this may damage internal components. If water does enter the inlet or outlet by accident, place the base in a ventilated place to dry it before using.



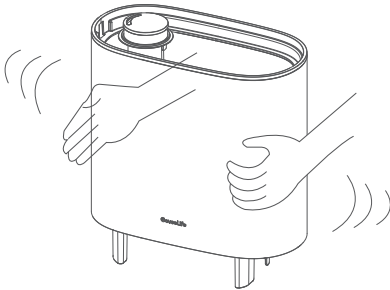
Descaling Your Smart Humidifier

To descale the humidifier (remove mineral buildup):

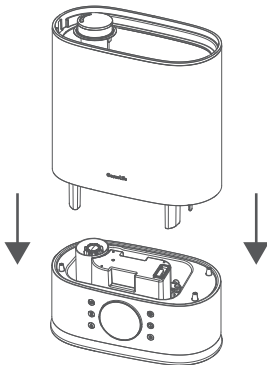
1. Fill the tank with 3 cups / 710 ml of distilled white vinegar.



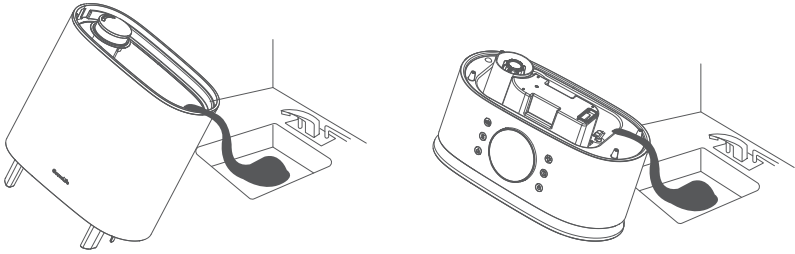
2. Put the tank cover on and swirl the vinegar around the tank.



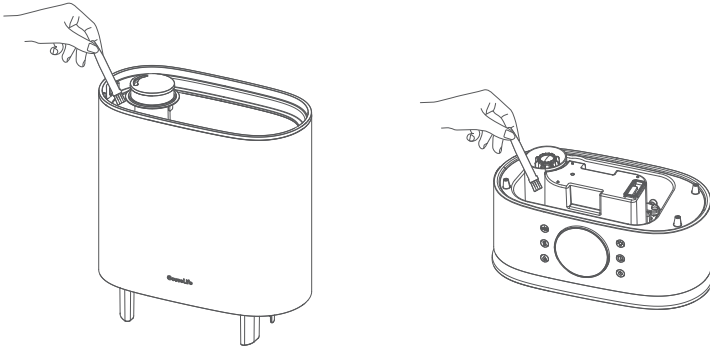
3. Place the tank on the base and let it sit for 15-20 minutes until the vinegar loosens the scale deposits.



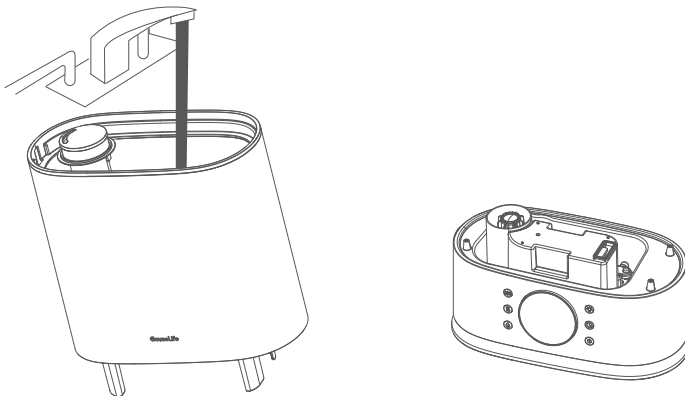
4. Remove the tank and its cover, and pour all the vinegar out.



5. Use a soft cloth and the included cleaning brush to remove scale from all parts.



6. Rinse all parts until the vinegar smell is completely gone.



7. Dry all parts with a cloth completely before reassembling or storing the humidifier.

Cleaning the Aroma Pad & Absorption Pad

1. Pull out the aroma box and remove the aroma pad.
2. Remove the mist channel then remove the absorption pad from top of the heating element.
3. Rinse the pads under warm running water.
4. Dry the pads with a clean cloth and place pads back.

Caution

Align the edges of the absorption pad with that of the heating module. Gently press each side of the pad to make sure it is well tucked into the concave.

Replacing the Aroma Pad & Absorption Pad

If the aroma pad or absorption pad is stiff even after cleaning, then it needs to be replaced. Extra pads are included with the humidifier.

To maintain the performance of your humidifier, only use official GoveeLife aroma pads and absorption pads. For more information, contact Customer Support.

Storing

Follow the cleaning instructions and dry all parts completely before storing the humidifier in a cool, dry place.

Troubleshooting

The troubleshooting section below is for solving frequently asked questions for the humidifier unit. If your problem persists, please contact customer support.

For Humidifier

Problem	Possible Solution
Humidifier does not power on/off normally.	Plug the humidifier into a working outlet and turn it on.
	Add purified or distilled water to the water tank.
Little or no mist comes out.	Clean the atomizer plate to avoid white dust from accumulating on it.
	Fill up the water tank.
	Choose a higher mist level.
	There may be too much water in the base chamber. Empty the base chamber, refill the water tank (not the base chamber), and place the water tank properly onto the base.

Problem	Possible Solution
Little or no mist comes out.	Clean the humidifier. Make sure the nozzles are not blocked or clogged.
	Make sure the humidifier is on a level surface.
	If the water tank or base was washed with detergent, rinse thoroughly with clean water to remove any detergent.
	Replace or clean the absorption pad.
Humidifier produces an unusual smell.	If there is any essential oils in the aroma pad, use clean water to rinse the pad and dry it.
	If the humidifier is new, unplug and rinse all parts, then place in a cool, dry place for 12 hours.
Humidifier makes a loud or unusual noise.	Make sure the water tank is properly in place.
	Empty the base chamber. Refill the water tank (not the base chamber) and place the water tank properly onto the base.
	When using the warm mist function, the heating element may make a gurgling noise if the water level is low. Add more water to the water tank.
	The humidifier may be malfunctioning. Stop using the humidifier and contact Customer Support.
White dust appears around the humidifier.	It is recommended to use purified or distilled water to fill the humidifier. Avoid using water with high mineral content, such as tap water.
	Clean the humidifier.
Mist leaks from the base.	Make sure the water tank is placed properly.
Water leaks from the humidifier.	Do not shake the humidifier.
	Make sure to place the humidifier on a flat, level surface.
	Check the water tank for leaks. If there are leaks, contact Govee Customer Support.
The mist is not warm enough even though the Warm Mist Mode is on.	Allow the humidifier to heat up for 2~3minutes to produce warm mist.It takes longer when the environment is cold.
	Clean the heating element.
The mist is warm on the cool mist setting.	The heating element may still be warm after being used for warm mist. Allow the heating element to cool for at least 30 minutes.

Problem	Possible Solution
Mold grows inside the humidifier.	Clean the water tank and base chamber regularly.
💧 keeps flashing.	Clean the water tank and the base chamber. Refill the water tank and place the water tank properly onto the base.
Essential oil has little or no smell.	Add more essential oil. For best results, use pure essential oil.
Mist leaks from the nozzle.	Place the nozzle properly on the mist tube.
The humidity display is not accurate.	Moisture may have built up inside the humidity sensor. Turn off the humidifier, remove the aroma box, and allow the sensor to air dry.
	If the humidifier is placed within 12 inches / 30 cm of a wall or in a corner, the humidity sensor cannot provide a proper reading for the relative humidity in the room.
	The humidity sensor will give an improper reading if it is exposed to dust. Avoid using the humidifier in dusty rooms. Avoid using tap water in the humidifier as this can increase dust in the air.
The LED screen displays “—”	Thermo-Hygrometer sensor(Interior) exception. Please contact Customer Support or use the humidifier after binding with Govee Thermo-Hygrometer.
The LED screen display "ER" when touching buttons.	Product exception. Please contact Customer Support.
🌀 flashes when turning on the Warm Mist Mode	Heating exception. Please contact Customer Support.
The humidity level isn't changing in my room.	Choose a higher mist level or turn on the Warm Mist Mode.
	Depending on your environment, the humidifier may take longer to humidify your air.
	The room may be larger than the humidifier's effective range. If the room is larger than 495ft ² /46m ² , the humidifier will not be as effective.

For App & Connectivity

1. Cannot connect to Govee Home App.
 - Make sure your smartphone is powered on and is not connected with other Bluetooth devices.
 - Enable the smartphone's Location Services.
 - Try connecting with another smartphone.
 - Make sure your app is updated to the latest version.
 - Make sure you connect to your Wi-Fi router's 2.4GHz network and that the network is working correctly.
 - Make sure the Wi-Fi password you entered is correct.
 - Shorten the distance between the humidifier, Wi-Fi router, and the smartphone.
 - Make sure your humidifier and the Wi-Fi router are located away from appliances that produce electromagnetic radiation (e.g. microwave ovens, refrigerators, etc.)
 - If you are using a VPN, try turning it off and then connecting the humidifier.
 - Disable portal authentication for your Wi-Fi network. If portal authentication is enabled, this humidifier will not be able to access your Wi-Fi network and setup will fail. Portal authentication means that you need to sign in to your Wi-Fi network through a web page before you can use the Internet.
2. Cannot find the device on Bluetooth Device Nearby page of the app.
 - The humidifier may be connected with another smartphone. Disconnect it from the other smartphone first.
3. The humidifier is offline.
 - Make sure the humidifier is plugged in and powered on, then refresh "My Devices" in Govee Home App by swiping down on the screen.
 - Make sure your router is connected to the internet and your smartphone's network connection is working.
 - If the Wi-Fi password has been changed, the humidifier will automatically go offline. Try connecting it to the network again.
 - Delete the offline humidifier from Govee Home App, then add and reconfigure the humidifier again in the app.

Appendix

After-Sales Service

 Warranty: 12-Month Limited Warranty

 Support: Lifetime Technical Support

 Email: support@govee.com

 Official Website: www.govee.com

 @Govee  @govee_official  @govee.official

 @Goveeofficial  @Govee.smarthome

Specifications

Power Supply	120V AC 60Hz
Rated Current	2.4A
Rated Power	288W
Water Tank Capacity	1.85gal/7L
Mist Output	Max Cool Mist: 300ml/h Max Warm Mist: 650ml/h
Effective Range	495ft ² /46m ² Note: <ul style="list-style-type: none">• Effective for larger rooms, but humidification will take longer.
Noise Level	Lowest: < 26 dB (low cool mist) Highest: < 35 dB (high warm mist)
Humidifier Dimensions	11.4 x 5.8 x 15 in / 28.9 x 14.8 x 38 cm
Humidifier Weight	5.7 lb / 2.6 kg

Compliance Information

FCC Statement

This device complies with Part 18 of the FCC Rules.

This device complies with Part 15 of the FCC Rules. Operation is subject to the following two conditions: (1) This device may not cause harmful interference, and (2) This device must accept any interference received, including interference that may cause undesired operation.

Warning: Any Changes or modifications not expressly approved by the party responsible for compliance could void the user's authority to operate the equipment.

Note: This equipment has been tested and found to comply with the limits for a Class B digital device, pursuant to Part 15 of the FCC Rules. These limits are designed to provide reasonable protection against harmful interference in a residential installation.

This equipment generates uses and can radiate radio frequency energy and, if not installed and used in accordance with the instructions, may cause harmful interference to radio communications. However, there is no guarantee that interference will not occur in a particular installation. If this equipment does cause harmful interference to radio or television reception, which can be determined by turning the equipment off and on, the user is encouraged to try to correct the interference by one or more of the following measures:

- (1) Reorient or relocate the receiving antenna.
- (2) Increase the separation between the equipment and receiver.
- (3) Connect the equipment into an outlet on a circuit different from that to which the receiver is connected.
- (4) Consult the dealer or an experienced radio/TV technician for help.

FCC Radio Frequency Exposure Statement

This equipment complies with FCC radiation exposure limits set forth for an uncontrolled environment. This equipment should be installed and operated with minimum distance 20cm between the radiator & your body.

The following importer is the responsible party

Name: GOVEE MOMENTS(US) TRADING LIMITED

Address: 2501 Chatham Rd Suite R Springfield IL 62704

Email: support@govee.com

Contact information: <https://www.govee.com/support>



Indoor use only

The Bluetooth® word mark and logos are registered trademarks owned by Bluetooth SIG, Inc. and any use of such marks by Shenzhen Qianyan Technology LTD is under license.

The trademark GoveeLife has been authorised to Shenzhen Qianyan Technology LTD.

Copyright ©2021 Shenzhen Qianyan Technology LTD.

All Rights Reserved.



Govee Home App

For FAQs and more information,
please visit: www.govee.com