

User Manual

Smart Space Heater Max

Contents

Important Instructions

01

Included in the Box

02

Introduction

Part Names

Controls

Indicator Status

Functions

03

Getting Started

07

Govee Home App

Downloading Govee Home App

Pairing with Govee Home App

09

Care & Maintenance

Cleaning

Maintenance

10

Troubleshooting

For Smart Space Heater Max

For App & Connectivity

11

Appendix

After-Sales Service

Specifications

13

GoveeLife Smart Space Heater Max

User Manual

IMPORTANT INSTRUCTIONS

When using electrical appliances, basic precautions should always be followed to reduce the risk of fire, electric shock, and injuries to persons, and hyperthermia, including the following:

- Read all instructions before using this heater.
- This heater is hot when in use. To avoid burns, do not let bare skin touch hot surfaces. If provided, use handles when moving this heater. Keep combustible materials, such as furniture, pillows, bedding, papers, clothes, and curtains at least 3 feet (0.9m) away from the front of the heater and keep them away from the sides and rear.
- Extreme caution is necessary when any heater is used by or near children or invalids and whenever the heater is left operating and unattended.
- Always unplug heater when not in use.
- Do not operate any heater with a damaged cord or plug or after the heater malfunctions, has been dropped or damaged in any manner. Discard heater, or return to authorized service facility for examination and/or repair.
- Do not use outdoors.
- This heater is not intended for use in bathrooms, laundry areas and similar indoor locations. Never locate the heater where it may fall into a bathtub or other water container.
- Do not run cord under carpeting. Do not cover cord with throw rugs, runners, or similar coverings. Do not route cord under furniture or appliances. Arrange cord away from traffic area and where it will not be tripped over.
- To disconnect heater, turn controls to off, then remove the plug from the outlet.
- Do not insert or allow foreign objects to enter any ventilation or exhaust opening as this may cause an electric shock or fire, or damage the heater.
- To prevent a possible fire, do not block air intakes or exhaust in any manner. Do not use on soft surfaces, like a bed, where openings may become blocked.
- A heater has hot and arcing or sparking parts inside. Do not use it in areas where gasoline, paint, or flammable liquids are used or stored.
- Use this heater only as described in this manual. Any other use not recommended by the manufacturer may cause fire, electric shock, or injuries to persons.
- Always plug heaters directly into a wall outlet/receptacle. Never use with an extension cord or relocatable power tap (outlet/power strip).
- Faulty wall outlet connections may cause the wall outlet to overheat. Be sure that the heater plug fits tightly into the outlet before using. When using the heater, check to make sure the heater plug is not overheating. If necessary, have a qualified electrician check or replace the wall outlet.
- This heater can only be used when the ambient temperature is normal. When the heater detects that the ambient temperature is too high, it will automatically shut down. Please inspect for any objects on or adjacent to the heater that may cause high temperatures.

- For US: This appliance has a polarized plug (one blade is wider than the other). To reduce the risk of electric shock, this plug is intended to fit in a polarized outlet in only one way. If the plug does not fit fully into the outlet, reverse the plug. If it still does not fit, contact a qualified electrician. Do not attempt to defeat this safety feature.
- Hyperthermia can result in death. Symptoms of hyperthermia include high body temperature, headache, nausea, vomiting, tiredness, dizziness, fainting, and rapid pulse. If you begin to experience symptoms related to hyperthermia, turn off the heater and seek medical attention.
- To avoid excessive room temperatures which can cause hyperthermia: DO NOT leave product running unattended in a confined space around infants, or individuals with reduced physical, sensory, or mental capabilities.

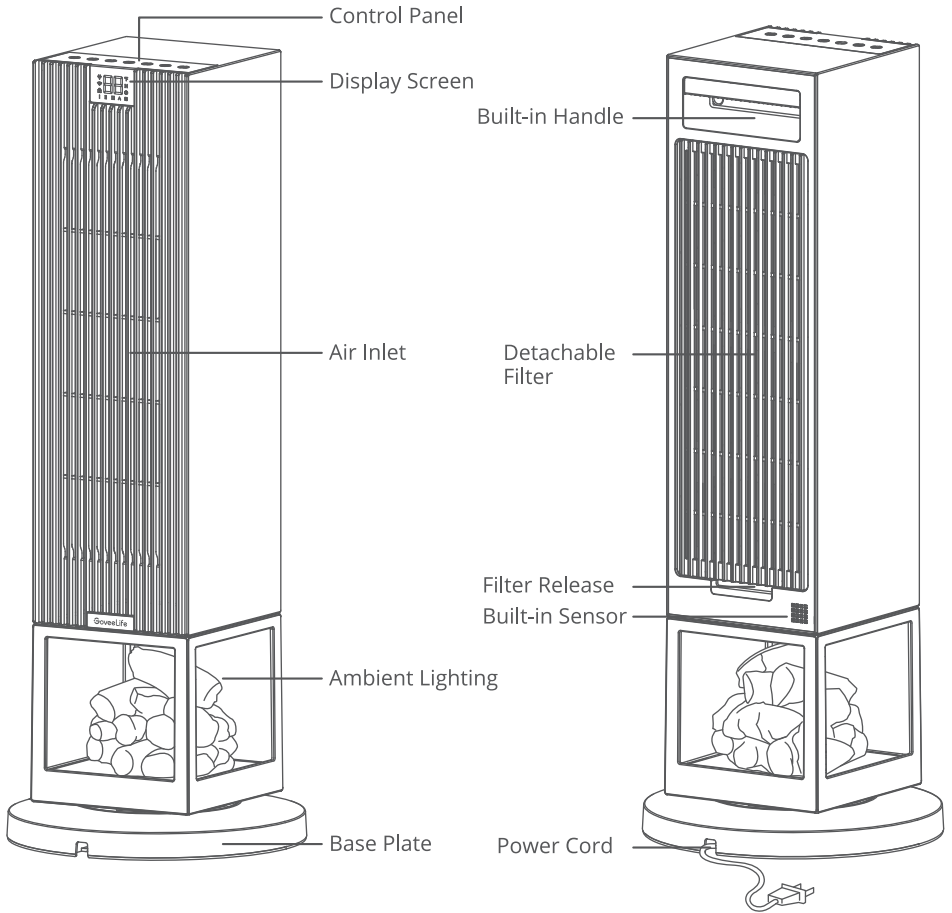
SAVE THESE INSTRUCTIONS

Included in the Box

Item	Quantity
Smart Space Heater Max	1
User Manual	1
Quick Start Guide	1
Base Plate	2

Introduction

Part Names



Controls



Power Button



Touch to power on or off.

Note: The fan will continue working for 15 seconds after powering off to clear any residual heat.



Plus/Minus Button

Set a target temperature: In Auto Mode, touch  or  to decrease or increase the temperature by 1 degree.

Note: When the device is not in Auto Mode or in the time setting status,  and  won't be available.






Mode Button

Touch to cycle through Heat Setting I, II, III, Auto Mode, and Fan Mode.



Timer Button

Touch , and then touch  or  within 5 seconds to decrease or increase the timer by 1 hour. After you finish setting the time, wait for 5 seconds for the timer to work. Read the countdown by hour on the display screen and check any remaining time on the app.

Check current timer: Touch the button, and the screen will display the remaining time (rounded up to the nearest integer). For more accurate details, check the app.

Turn off the timer: Press and hold the button for 2 seconds to turn off the current timer setting.



Oscillation/Lock Button

Touch the button to turn on oscillation. Touch again to pause oscillation.

Long press the button for 3 seconds to turn on Lock Mode. When the lock is on, buttons on the panel will not respond to any touch. Long press the button again for 3 seconds to turn off Lock Mode.

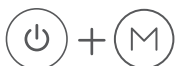
Note:  will flash when any other button is pressed to indicate the Lock is on.



Ambient Lighting Button

Touch to turn the ambient lighting on or off.

Note: For more brightness adjustment and scene modes, check Govee Home App.



Recovery Button

Press and hold these two buttons simultaneously for 5 seconds until all indicators flash once to restore the heater to factory settings if it cannot function well. Then the heater will disconnect from Wi-Fi and Bluetooth and automatically reboot.

Note: After restoring the heater to factory settings, go to “My Devices” page on the app to delete this heater first, otherwise it cannot be added to the app again.

Memory Function

The heater will save its previous settings when powered off (such as heat settings, mode, and Wi-Fi connection). When it is powered back on, the settings will resume.

Indicator Status

Indicator	Working Status	Light Status
I	Heat Setting Low	Solid White
II	Heat Setting Medium	Solid White
III	Heat Setting High	Solid White
A	Auto Mode	Solid White
⌘	Fan Mode	Solid White
⏻	Powered On	Solid Red
	Any Button Touch After Being Tipped Over	Flashes 3 Times
🔒	Safety Lock On	Solid White
	Safety Lock Triggered	Flashes White
🕒	Timer is Set	Solid White
	Timer is Setting	Flashes White for 5s
📶	Wi-Fi is Connected	Solid White
	Wi-Fi is Connecting	Quickly Flashes White
88 [°]	Displaying Ambient Temperature	Solid White
	Target Temperature is Setting	Solid White and Flashes
88 ^h	Timer is Setting	Solid White and Flashes
E0	Wi-Fi Chip is Malfunctioning	Solid White
E1	Built-in Sensor Failed	Solid White
All Indicators	Any Button Touch After Overheat Protection is Triggered	Flashes 3 Times

Note: According to related safety standards, the power indicator should always light red when the heater is working.

Functions

Memory Function

This heater will memorize the previous settings (heat settings, oscillation, Wi-Fi connection) when it is powered off. The settings will be active again when this heater is turned on.

24-hour Automatic Shutdown

This heater will shut down automatically when it has been used for 24 hours straight in case the user forgets to power it off.

Overheat Protection

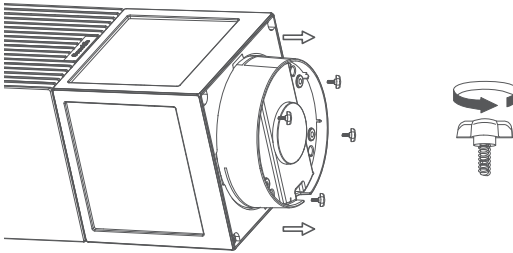
When the heater detects that the ambient temperature exceeds a specific temperature, it will automatically power off.

Tip-over and Motion Protection

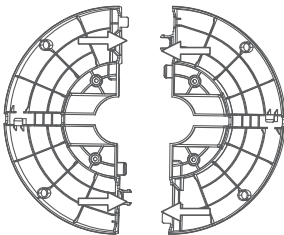
When the heater is moved or knocked over, it will automatically power off and stop all functions. This protection can be dismissed by placing the heater on a flat and sturdy surface and keeping it upright before using it again.

Getting Started

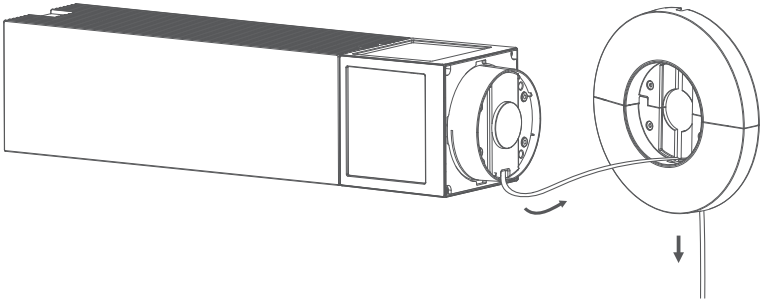
1. Unscrew the four screws at the bottom of the heater.



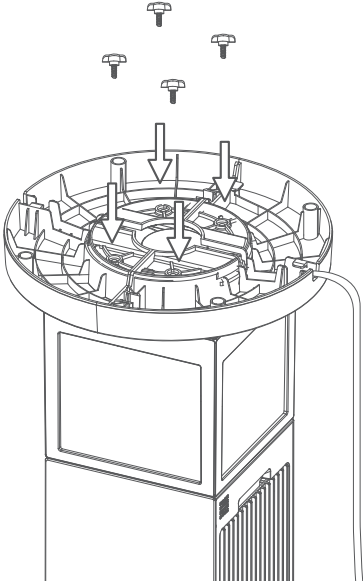
2. Align the two base plates and assemble them together.



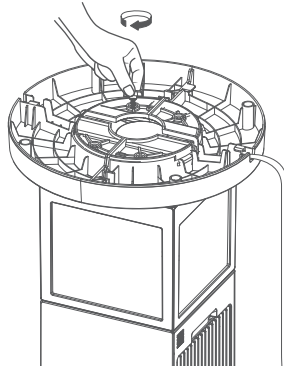
3. Thread the power cord through the base.



4. Fasten the base plate with the heater body (with the top surface of the base facing the bottom of the heater). Align the four holes of the screws and fix the power cord into the buckle of the base plate.

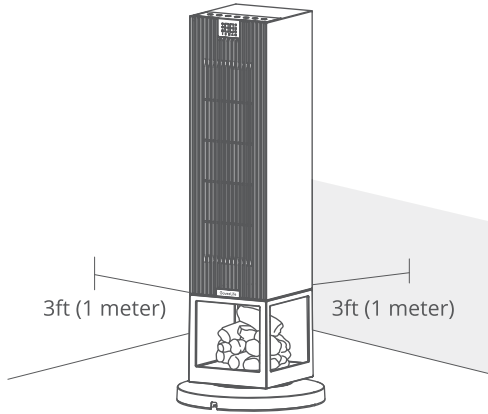


5. Tighten the four black screws with the base plate.



Installation Steps

1. Make sure the Wi-Fi signal is strong and stable in the current environment.
2. Only plug the heater directly into a 120V wall outlet. Do not use an extension cord.
3. Ensure the plug is firmly inserted into the outlet. An abnormal outlet connection may cause overheating.
4. Place the heater on a firm, flat, and level surface free from obstructions and at least 3ft (1meter) away from any wall or combustible materials.



Note: According to related safety standards, the power indicator should always light red when the heater is working.

Govee Home App

You can access more features using Govee Home App.

Downloading Govee Home App

To download Govee Home App, scan the QR code or search for “Govee” in the Apple App Store® (iOS) or Google Play Store (Android).



Govee Home App



Note:

- Choose "Allow" to the permissions requested when opening Govee Home App for the first time. These permissions allow the app's features to function normally and are not used to record personal, private information.
- Due to ongoing updates, **Govee Home App** may be slightly different than shown in this manual. In case of any differences, always follow the in-app instructions.

Pairing with Govee Home App

1. Turn on your smartphone's Bluetooth. Connect to your Wi-Fi router's 2.4GHz network. 5GHz is not supported.
2. Android users turn on Location Services; IOS users choose Location ->Always On in the pop-up window while adding devices.

Note:

- For IOS users, if you chose Location->Never, it might result in notifications/alert exceptions. It is recommended to follow Settings ->Govee Home ->Location ->Always On to obtain the best experience.
 - Govee Home WILL NOT collect, use, or share your location in any way.
3. Open Govee Home App, tap the "+" icon in the top right corner and search for "H7134."
 4. Tap the device icon and follow the in-app instructions to complete the Bluetooth and Wi-Fi connection.

Note:

- Method to turn off Bluetooth and Wi-Fi connection: Press and hold the Power Button and Mode Button for 5s to restore the device to factory settings, then go to "My Devices" page on the app to delete this heater first, otherwise it cannot be added to the app again.
- You can use Govee Home App to connect your heater to Amazon Alexa or Google Assistant. Follow the in-app instructions to connect to each voice assistant.
- Govee Home App is being continually updated and its features do expand.

Care & Maintenance

Cleaning

To achieve the best performance, clean the heater at least once during the operating season or before storing it when it will not be used for a long period of time.

- Turn the heater off and unplug it from power, then use a soft damp cloth to clean its body, air inlet, and outlet.
- Do not submerge the heater in water and never allow water to drip into it.
- Do not risk your safety to detach the heater to clean its blade. Otherwise, it may damage the heater, shorten its service life, or cause serious danger.

Maintenance

Follow the cleaning instructions and allow all parts to dry completely before storing the heater in a cool, dry place.

Troubleshooting

The troubleshooting section below is for solving frequently asked questions. If your problem persists, please contact Customer Support.

For Smart Space Heater Max

Problem	Possible Causes	Solution
The heater cannot be turned on.	The power cord is not properly plugged into the outlet.	Plug the power cord into a live outlet.
The power plug is hot.	The power plug and the outlet are not securely connected.	Securely reinsert the plug into the outlet. If necessary, have a qualified electrician to check if the power plug prongs are intact.
The heater suddenly shuts down when hot air is coming out.	Failed to supply power to the heater.	Ensure your circuit breaker or fuse is working properly.
	Tip-over Protection has been triggered.	Place the heater on a firm and level surface free from obstructions. Keep it upright and turn it on again.
	Overheat Protection has been triggered.	Unplug from power and wait for 30 minutes for the heater to cool down before plugging back in. The heater will automatically turn on again when the surrounding temperature is below 86°F (30°C).
The screen displays "E0" or "E1".	Product exceptions	Contact Customer Support.

For App & Connectivity

1. Cannot connect to Govee Home App.
 - Make sure your smartphone is powered on and is not connected with other Bluetooth devices.
 - Enable the smartphone's Location Services.
 - Try connecting with another smartphone.
 - Make sure your app is updated to the latest version.
 - Make sure you connect to your Wi-Fi router's 2.4GHz network and that the network is working correctly.
 - Make sure the Wi-Fi password you entered is correct.
 - Shorten the distance between the heater, Wi-Fi router, and the smartphone.
 - Make sure your heater and the Wi-Fi router are located away from appliances that produce electromagnetic radiation (e.g. microwave ovens, refrigerators, etc.)
 - If you are using a VPN, try turning it off and then connecting the heater.
 - Disable portal authentication for your Wi-Fi network. If portal authentication is enabled, this heater will not be able to access your Wi-Fi network, and setup will fail. Portal authentication means that you need to sign in to your Wi-Fi network through a web page before you can use the Internet.
2. Cannot find the device on "Bluetooth Device Nearby" page of the app.
 - The heater may be connected with another smartphone. Disconnect it from the other smartphone first.
3. The heater is offline.
 - Make sure the heater is plugged in and powered on, then refresh "My Devices" page in Govee Home App by swiping down on the screen.
 - Make sure your router is connected to the internet, and your smartphone's network connection is working.
 - If the Wi-Fi password has been changed, the heater will automatically go offline. Try connecting it to the network again.
 - Delete the offline heater from Govee Home App, then add and reconfigure the heater again in the app.

Appendix

After-Sales Service

- 🛡️ Warranty: 12-Month Limited Warranty
- 📞 Support: Lifetime Technical Support
- ✉️ Email: support@govee.com
- 🌐 Official Website: www.govee.com
- 📺 @Govee 📷 @govee_official 🎵 @govee.official
- 🐦 @Goveeofficial 📘 @Govee.smarthome

Specifications

Model	H7134
Power Voltage	120V ~ 60Hz
Rated Power	High: 1500W Medium: 950W Low: 750W
Net Weight	5.1kg/11.2lb
Dimensions	269.5*269.5*668.3mm/10.6*10.6*26.3inch

Compliance Information

FCC Statement

This device complies with Part 15 of the FCC Rules. Operation is subject to the following two conditions:

(1) This device may not cause harmful interference, and (2) This device must accept any interference received, including interference that may cause undesired operation.

Warning: Changes or modifications not expressly approved by the party responsible for compliance could void the user's authority to operate the equipment.

NOTE: This equipment has been tested and found to comply with the limits for a Class B digital device, pursuant to Part 15 of the FCC Rules.

These limits are designed to provide reasonable protection against harmful interference in a residential installation. This equipment generates uses and can radiate radio frequency energy and, if not installed and used in accordance with the instructions, may cause harmful interference to radio communications. However, there is no guarantee that interference will not occur in a particular installation. If this equipment does cause harmful interference to radio or television reception, which can be determined by turning the equipment off and on, the user is encouraged to try to correct the interference by one or more of the following measures:

- 1.Reorient or relocate the receiving antenna.
- 2.Increase the separation between the equipment and receiver.
- 3.Connect the equipment into an outlet on a circuit different from that to which the receiver is connected.
- 4.Consult the dealer or an experienced radio/TV technician for help.

FCC Radiation Exposure Statement

This equipment complies with FCC radiation exposure limits set forth for an uncontrolled environment. This equipment should be installed and operated with minimum distance 20cm between the radiator & your body.

The following importer is the responsible party

Name: GOVEE MOMENTS (US) TRADING LIMITED

Address: 2501 Chatham Rd Suite R Springfield IL 62704

Email: support@govee.com

Contact information: <https://www.govee.com/support>



For indoor use only

The Bluetooth® word mark and logos are registered trademarks owned by Bluetooth SIG, Inc. and any use of such marks by Shenzhen Qianyan Technology LTD is under license.

The trademark GoveeLife has been authorised to Shenzhen Qianyan Technology LTD.
Copyright ©2021 Shenzhen Qianyan Technology LTD.
All Rights Reserved.



Govee Home App

For FAQs and more information,
please visit: www.govee.com