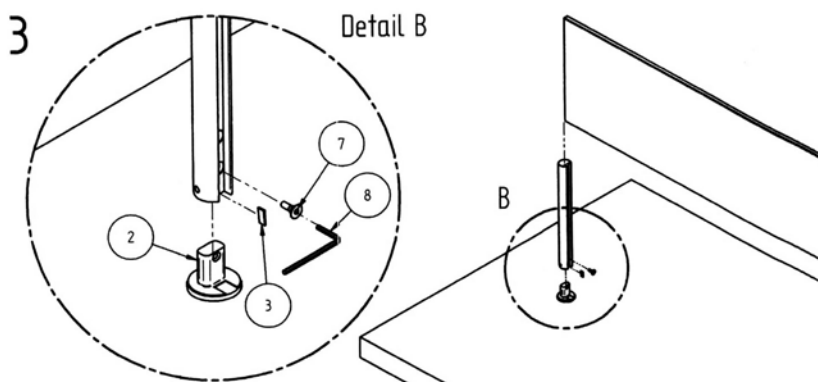
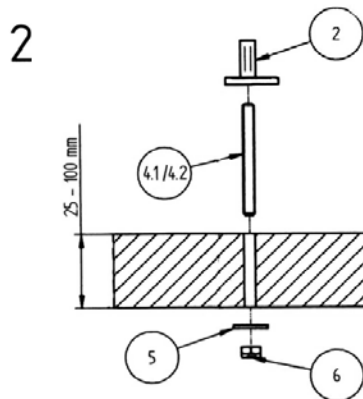
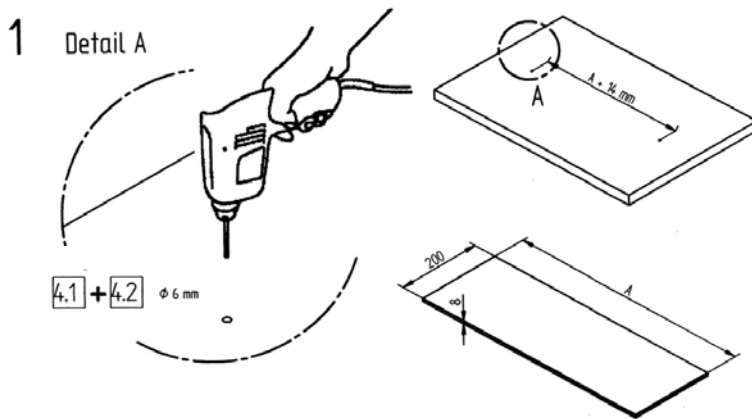


Spritzschutz Protect



1.1	1xL	
1.2	1xR	
2	2x	
3	2 x	10x4x0,8 mm
4.1	2 x	M6x60 mm
4.2	2 x	M6x120 mm
5	2 x	$\phi 18 \times 6,4 \times 1,5$ mm
6	2 x	M6
7	2 x	M4x10 mm
8	1 x	SW 2,5