



INSTALLATION INSTRUCTIONS FOR JEEP REAR BUMPERS

TJ P/N 61854, YJ P/N 61857,
CJ P/N 61860

Your safety, and the safety of others, is very important. To help you make informed decisions about safety, we have provided installation and operating instructions and other information on labels and in this guide. This information alerts you to potential hazards that could hurt you or others. It is not possible to warn you about all potential hazards associated with this product, you must use your own good judgment.

CARELESS INSTALLATION AND OPERATION CAN RESULT IN SERIOUS INJURY OR EQUIPMENT DAMAGE. READ AND UNDERSTAND ALL SAFETY PRECAUTIONS AND OPERATING INSTRUCTIONS BEFORE INSTALLING AND OPERATING THIS PRODUCT.

This guide identifies potential hazards and has important safety messages that help you and others avoid personal injury or death. **WARNING** and **CAUTION** are signal words that identify the level of hazard. These signal words mean:

⚠ WARNING signals a hazard that could cause serious injury or death, if you do not follow recommendations.

⚠ CAUTION signals a hazard that may cause minor to moderate injury, if you do not follow recommendations.

This guide uses **NOTICE** to call attention to important mechanical information, and **Note**: to emphasize general information worthy of special attention.

⚠ WARNING

Failure to observe these instructions could lead to severe injury or death.

- Always** use extreme caution when drilling on any vehicle. Make sure that all fuel lines, brake lines, electrical wires, and other objects are not punctured or damaged when/if drilling on the vehicle. Thoroughly inspect the area to be drilled (on both sides of material) prior to drilling, and relocate any objects that may be damaged. Failure to inspect the area to be drilled may result in vehicle damage, electrical shock, fire or personal injury.
- Always** wear safety glasses when installing this kit. A drilling operation will cause flying metal chips. Flying chips can cause eye injury.
- Always** use extreme caution when cutting and trimming during fitting.
- Always** remove jewelry and wear eye protection.
- Always** use appropriate and adequate care in lifting components into place.
- Always** insure components will remain secure during installation and operation.
- Always** tighten all nuts and bolts securely, per the installation instructions.

NOTES: On some TJ and YJ models, it may be necessary to loosen the gas tank skid plate to allow for enough hand room to access the inner bolt hole locations

VI. INSTALLATION

1. Remove the rear bumper from vehicle.

- On TJ models, discard bumper and mounting hardware.
- On YJ models, discard bumper and mounting hardware.
- On CJ models, discard bumper and mounting hardware.

2. Install new, Warn, rear bumper on vehicle.

- On TJ models, use the supplied 3/8" bolts, lockwashers, and washers in all 8 mounting locations. Torque 3/8" bolts to 35-38 ft lbs. Insert the two spacers, one on each side, between the bottom bumper tab and the bottom of the frame. Install the bottom bumper bolts, using the 2 supplied 7/16" bolts, lockwashers, and washers, torque 7/16" bolts to 42-45 ft lbs.

INSTALLATION CONT.

NOTE: Some TJ model vehicles may not have all 8 mounting locations on the rear frame area. If all 8 locations are not in the frame, measure the supplied bumper mounting points and match these measurements on the frame. Drill the frame holes to 7/16". **See Figure 1.**

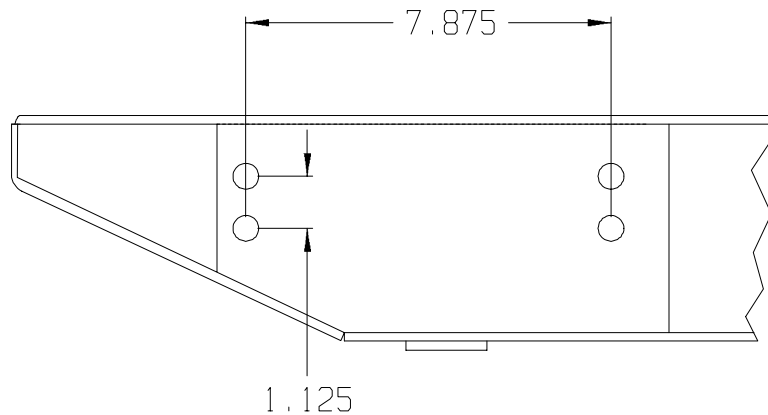


Figure 1

- On YJ models, use the supplied 3/8" bolts, lockwashers, and washers in all 8 mounting locations. Torque 3/8" bolts to 35-38 ft lbs. Insert the two spacers, one on each side, between the bottom bumper tab and the bottom of the frame. Install the bottom bumper bolts, using the 2 supplied 7/16" bolts, lockwashers, and washers, torque 7/16" bolts to 42-45 ft lbs.
- On CJ models, use the supplied 3/8" bolts, lockwashers, and washers in all 8 mounting locations. Insert the four spacers between the frame surface and the bumper mounting surface. It is necessary to space the bumper away from the frame for proper clearance. Torque 3/8" bolts to 35-38 ft lbs. Insert the two spacers, one on each side, between the bottom bumper tab and the bottom of the frame. Install the bottom bumper bolts, using the 2 supplied 7/16" bolts, lockwashers, and washers, torque 7/16" bolts to 42-45 ft lbs.

WARN INDUSTRIES, INC. • 12900 SE CAPPAS ROAD • CLACKAMAS, OR 97015-8903

(503) 722-1200 • CUSTOMER SERVICE LINE 1-888-722-6730 • FAX (503) 722-3051