



OMIX-ADA, Inc.

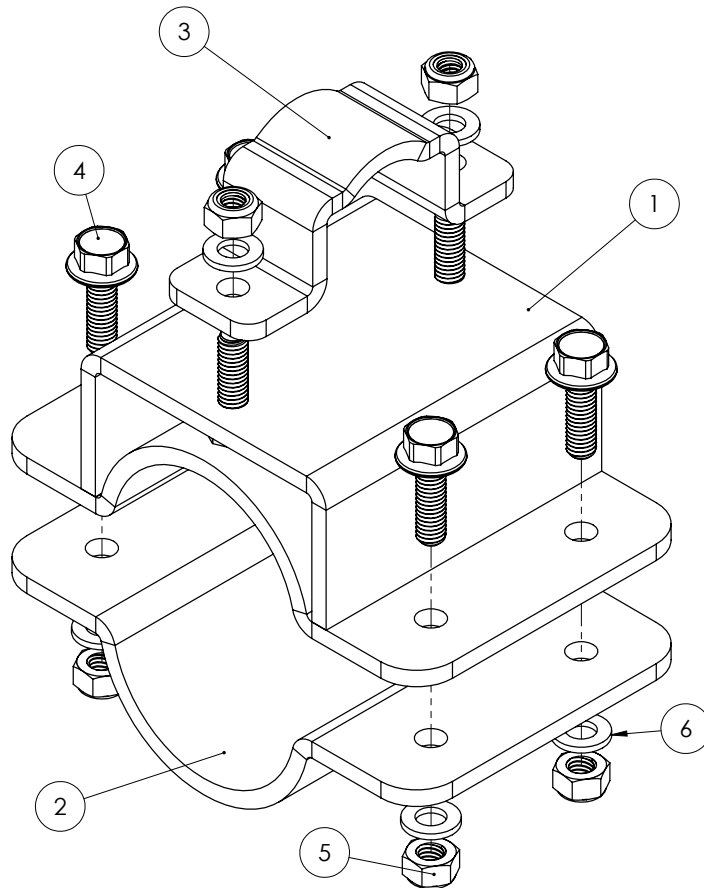
460 HORIZON DR. SUITE 400 | SUWANEE, GA 30024 | PHONE: 770-614-6101 | FAX: 770-614-6069 | info@omix-ada.com

11703.10

Crossbar Adapters

Contents:

1. Upper Clamp Bracket	(4)	4. M6x20 Flange Bolts	(16)
2. Lower Clamp Bracket	(4)	5. M6 Nylon Lock Nuts	(24)
3. Crossbar Bracket	(4)	6. M6 Flat Washer	(24)



NOTICE

Crossbar adapters are designed to work Thule® and Yakima® accessories and mount to Rugged Ridge® 11703.01, 11703.02 or other 2" or 50mm tubing.

Read all instructions thoroughly before installation.

OMIX-ADA® TECHNICAL SUPPORT

PHONE: M-F 8am - 5pm EST 1-800-449-6649 | EMAIL: techsupport@omix-ada.com

FOR WARRANTY INFORMATION VISIT: www.Omix-Ada.com



OMIX-ADA, Inc.



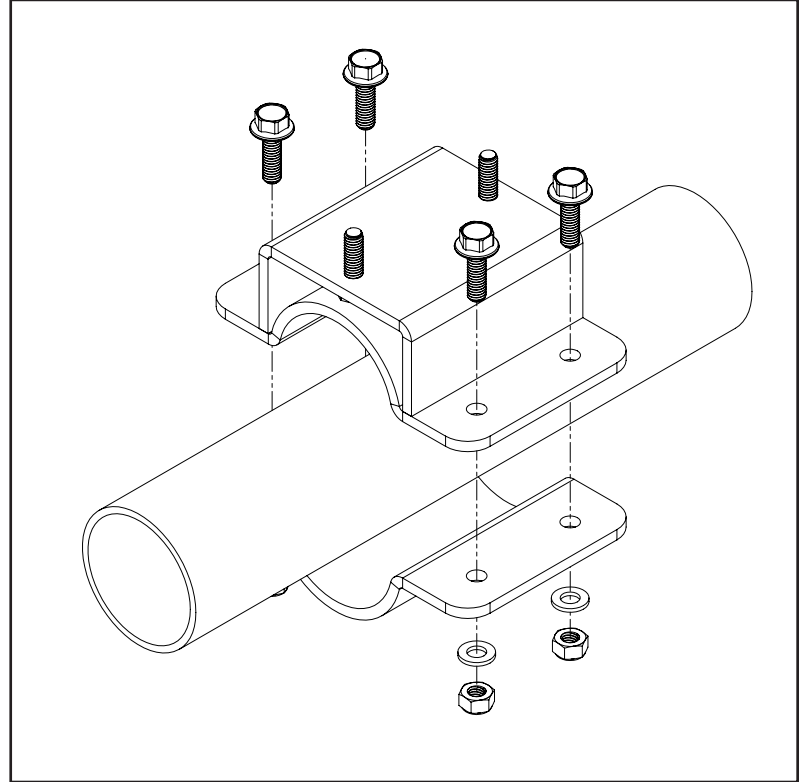
11703.10

460 HORIZON DR. SUITE 400 | SUWANEE, GA 30024 | PHONE: 770-614-6101 | FAX: 770-614-6069 | info@omix-ada.com

Crossbar Adapters

1. Use the supplied M6 hardware to attach the upper and lower clamp brackets to the tube.

Note: It is recommended to leave fasteners loose until desired position is chosen based on aftermarket accessories to be installed.



2. Using the supplied M6 hardware, attach the crossbar bracket over the chosen aftermarket crossbar. Tighten until crossbars are secure.

Note: It is recommended to leave fasteners loose until desired position is chosen based on aftermarket accessories to be installed.

