

Power Hoist Installation Instructions

Jeep • Bronco • Blazer • Camper Shells • Scout • 4-Runner • Landcruiser J40

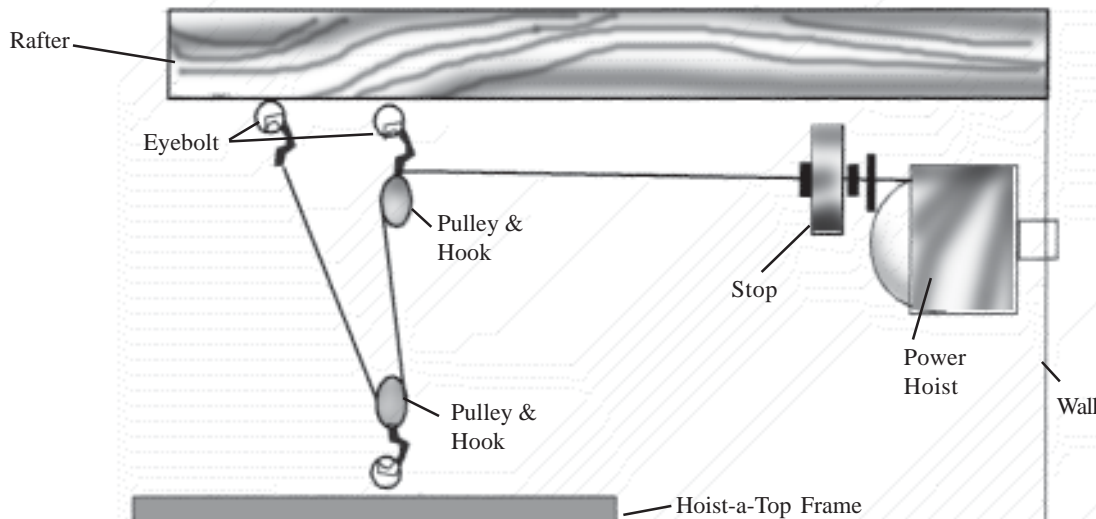
Additional Two-Line Option for Speed Reduction

An additional pulley and hook is included with this option to slow the speed of the Power Hoist by 1/2. Use this option if you want to slow down the speed.

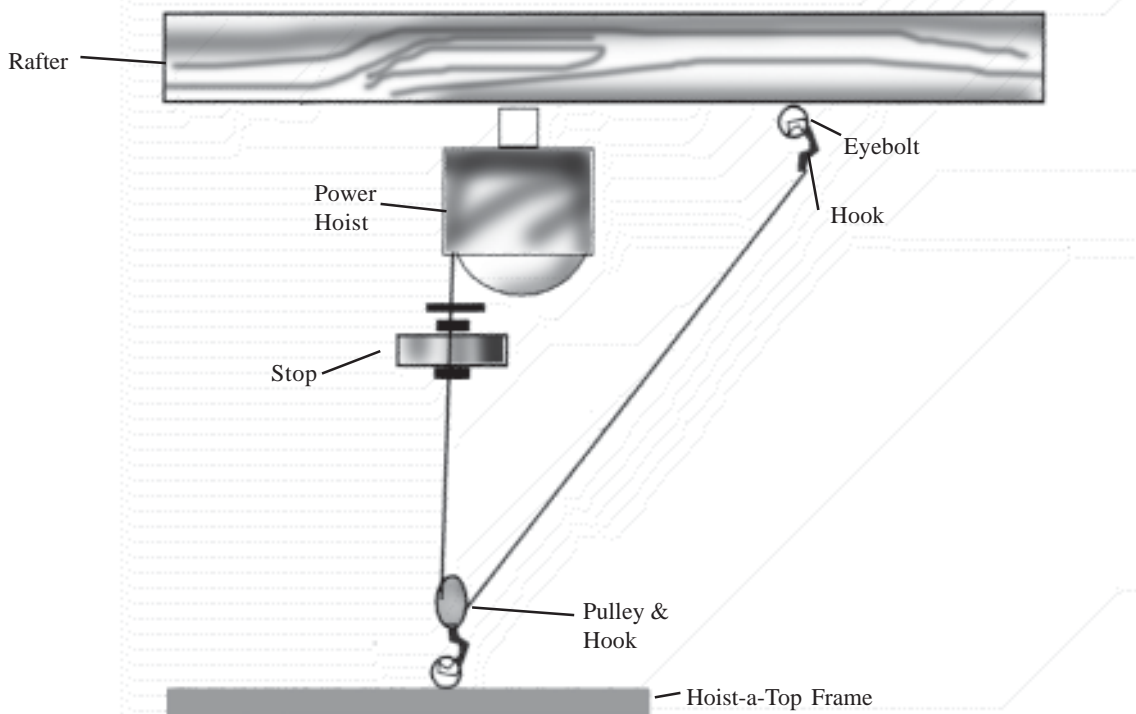
For Side Wall Mounting. It requires installation of an additional eyebolt in the ceiling for the extra hook and pulley. **Make the line length from the Power Hoist to the first pulley, equal to the length of the line that runs from the ceiling pulley to the Hoist and back to the ceiling.** This will allow enough cable length to lower the top to the jeep and still allow the top to be raised completely to the ceiling heights.

For Ceiling Mounting. See the diagram below and use only one hook and pulley.

Side Wall Installation



Ceiling Installation for Nine-Foot Plus Ceilings



Power Hoist Installation Instructions

Jeep • Bronco • Blazer • Camper Shells • Scout • 4-Runner • Landcruiser J40

Thanks for purchasing this product. If used carefully it will make removing and installing your jeep hardtop an easy and quick operation. Follow these instruction carefully and read the safety notes carefully and completely. This is a powerful tool and can damage your top, garage or you if you do not exercise appropriate care and common sense.

Items Included In This Package

Instructions
Power Hoist Box and Attaching Hardware
Parts Bag
 2 - 3 1/2 inch lag screws
 2 - Washers

 2 - Wire rope clamps
Support Bar

Tools Required

Power Drill and Bits
Socket Set
Tape Measure and pencil
Hammer

Installation Instructions

1. Spend some time finding the best location for the Power Hoist. Keep in mind the following:

- Study the Hoist-a-top installation instructions and the mounting diagrams in these instructions and determine an appropriate mounting location (Figure 1).
 - Mount the Power Hoist as close to the ceiling as possible.
- Note: Do not mount the Power Hoist on the ceiling**
- Keep the Power Hoist controls as close to the jeep as possible. It works best if you can touch and align the jeep top with one hand while operating the controls with the other.
 - Use the installation diagrams in Figure 1 as a typical guide.

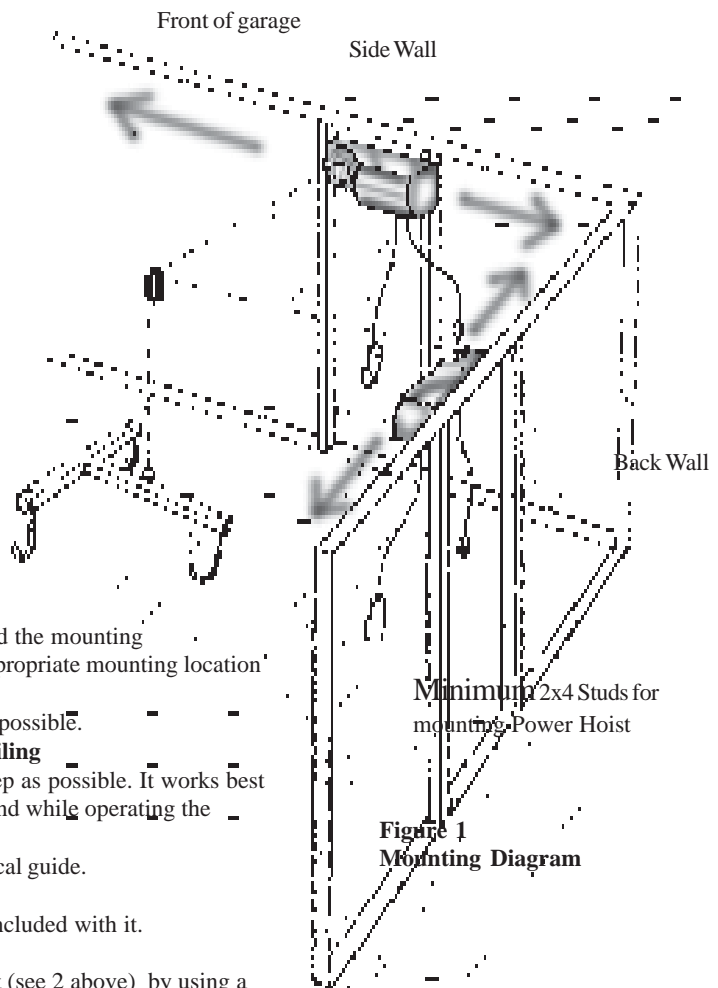
2. Install and assemble the Hoist-a-top per the instructions included with it.

3. Install the Support Bar (see Figure 3). Locate the best spot (see 2 above) by using a stud finder or driving a nail into sheet rock. The bar is designed for 16" centers and must be mounted securely to the wall studs (If you have 24" centers call the factory for options 801-262-7322). **Do not mount to sheet rock, use a 2x4 stud only!** Hold the bar while marking the mounting holes. Drill 1/3" hole into each stud. Using the lag screws with washers screw the Support Bar to the wall.

Now find a strong friend. Install the Power Hoist mounting brackets supplied in the box per the instructions included. Remove one lag screw from the Support Bar and loosen the remaining lag screw. With the help of a friend, slide the Power Hoist onto the bar and install the remaining screw. Tighten both screws securely. Hook up AC power and make sure the Power Hoist controls are reachable and in a safe location

4. Install the hook and pulley on the Power Hoist cable as shown in the installation diagram (see Figure 4A). Note the position of the red stop before you install the pulley. Attach the hook on the end of the cable to the assembled Hoist-a-top frame. Note that the Hoist-a-top frame does not balance without the top attached. It will hang heavy in the front.

Back in your jeep and attach the Hoist-a-top to your top. Remove all top fasteners and lift the top an inch or so. Check the balance and if the top is not appropriately level or slightly down in the rear, lower and adjust the balance slide (see Hoist-a-top Instructions).



SAFETY NOTE: When raising or lowering the top be extremely careful. It goes up and down quickly. Jog the top with the controls to reach the appropriate position.

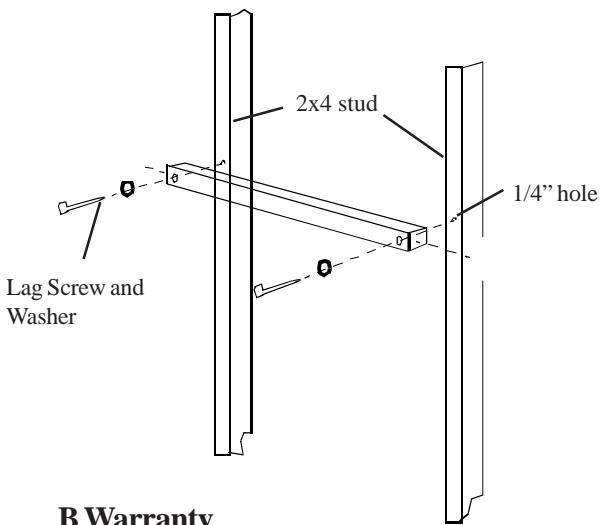
INSTALLING THE SAFETY STOP--VERY IMPORTANT!!! After the balancing the top, raise the top to the ceiling and stop at a point six inches from the ceiling hook. Do this carefully. If you raise your top too high with the Power Hoist you will tear the whole assemble out of the wall or the ceiling. Now, install the safety stop using the cable clamps provided. Use the drawing as a guide (see Figure 4B).

Check the operation by lowering the top and then raising the top until the red stop contacts the safety cutoff switch. This should stop your top before the hoist reaches the center, ceiling-mounted pulley. Make sure you are in a position to stop the top if it is not functioning correctly, or the red stop moves for some reason. Make sure to retighten securely the cable clamps. Double check the red stop to see if you can move it by hand and that it is secure.

SAFETY NOTE: Lower and raise A DEAD WEIGHT several times to check the operation of the safety stop and become familiar with the speed and operation of the Power Hoist before you try raising or lowering your top.

Figure 3 Install Support Bar

Drill 1/4" holes in studs, mount bar with screws and washers
 Release one screw 1/2" from 2x4
 Remove one screw completely
 Slide Power Hoist over bar and reinstall and tighten screws.



B Warranty

Warranty coverage is for one year on Lange Original manufactured items. These include the Hoist-a-top and associated hardware. The Power Hoist is warranted by the manufacture. Contact Harbor Freight at 1-800-423-2567 for warranty repairs or replacement. Proof of purchase will be required to verify warranty. This warranty covers parts if found defective and does not include adjustment if abused or damaged due to neglect, misuse, improper installation or operation. Liability for any application of this product is limited to the replacement or repair of said product and does not include consequential damages to equipment or property related to the use or installation of this product. Lange will replace or repair at its discretion any item it deems subject to a warranty claim. Please call customer service for a return authorization number and shipping instructions. 1-801-262-7322

If you have questions or a problem, please call and we will try to help. Our hours are Monday thru Friday 9:00 AM to 4:30 PM Mountain Standard Time. We use our products ourselves and hope you are satisfied.



Lange Originals
 3651 South 700 East
 Salt Lake City, UT 84106
 801-262-7322
 www.langeoriginals.com

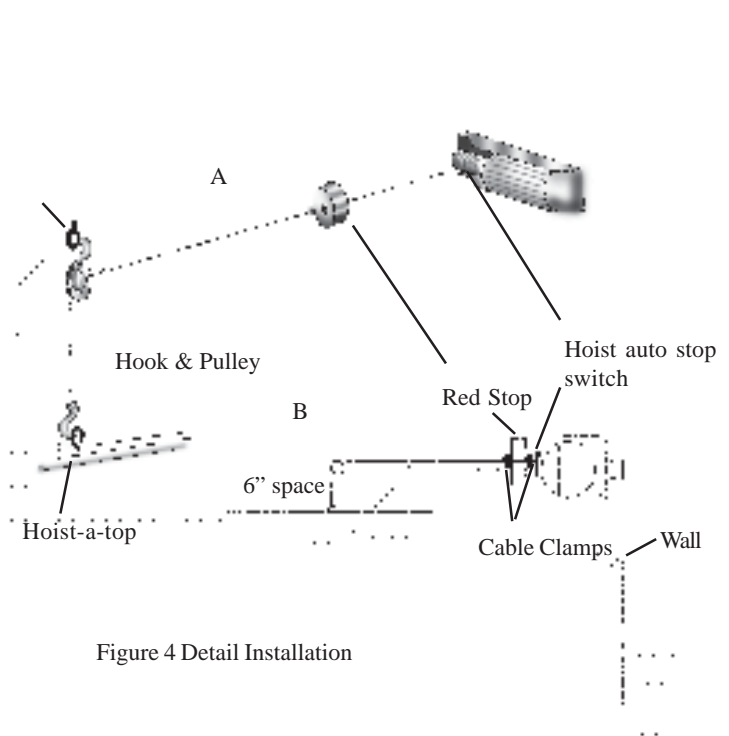


Figure 4 Detail Installation

