



SYNERGY MFG. 870 INDUSTRIAL WAY, SAN LUIS OBISPO, CA (805) 242-0397

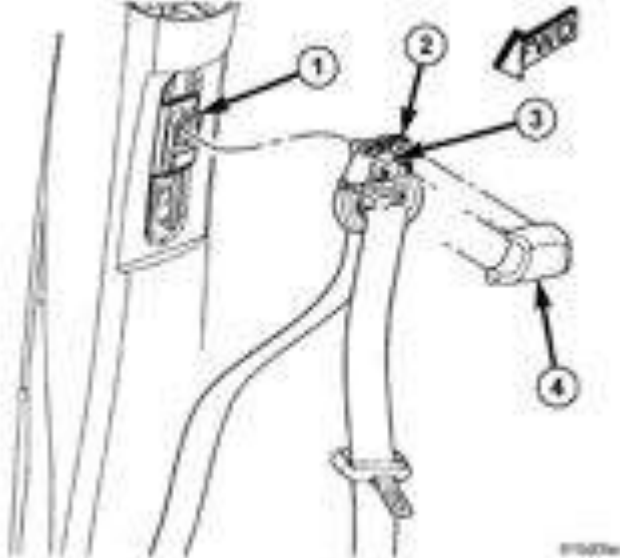
PPM-5803 JK 2 DR REAR GRAB HANDLE KIT

Version 1

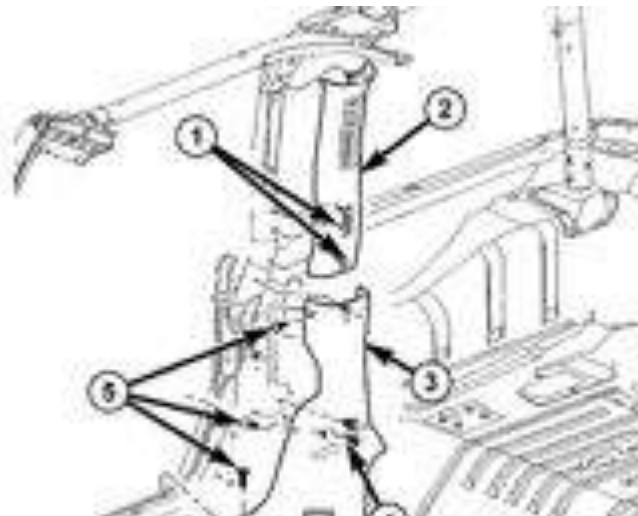
GENERAL NOTES:

- It is not necessary to remove the soft top or hard top for installation but it may be helpful
- The grab handle kit is a bolt on installation but you do have to trim some of plastic interior trim. A dremel type tool or straight air grinder with a drum sander works well for this.

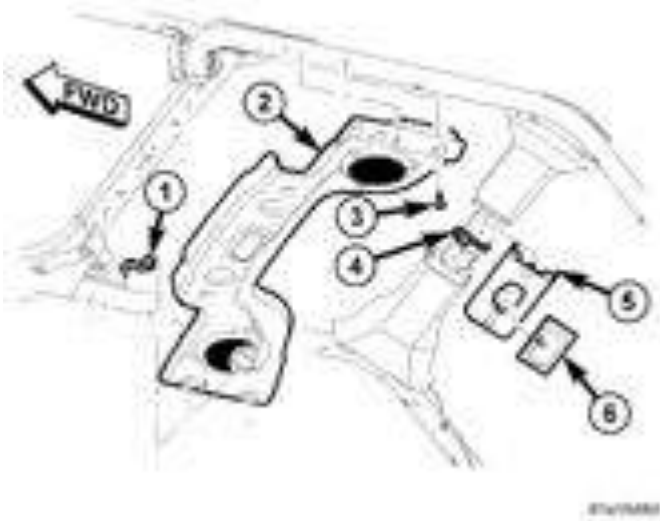
1. Remove the seat belt turning loop (2)



2. Unzip and remove the rollbar padding from around the b-pillar and, using a trim stick (interior trim removal equivalent, separate retaining clips (1) and the upper trim (2).



3. Remove the over head speaker pod (2), first remove the hard top thumb screws if equipped, next remove the four screws (3) and lower the speaker pod. Disconnect the electrical connector (1) and remove the speaker pod.



4. Remove the upper bolt to the seat belt turning loop height adjuster.

5. Loosely fit the grab handles as shown, the bottom bracket of the grab handles goes underneath the seat belt turning loop height adjuster and the upper bracket of the grab handle goes underneath the sound bar. Notch the sport bar cross bar padding and cut a hole or slit for the grab handle to go thru the padding cover (note, it may be necessary to loosely fit and remove the grab handles a few times in order to mark and trim all the padding).









6. Trim the internal ribs of the plastic upper b-pillar trim removed in step 2 if there is interference.



7. Remove the grab handles. Secure the upper grab handle bracket using the speaker pod bolts, do not fully tighten yet. Secure the lower bracket of the grab handle under the seat belt turning loop height adjuster and torque to 30 ft-lbs. Reinstall all trim and padding at this time. Remove the speaker pod bolts and install the speaker pod and tighten the screws to 7 ft-lbs.



8. Re-install the seat belt turning loop and torque to 30 ft-lbs