



3651 N Highway 89 • Chino Valley, AZ 86323  
(928) 636-7080 • www.p-a-g.net

## **JEEP WRANGLER 2 & 4 DOOR ROCK SLIDER REAR BUMPER INSTALLATION INSTRUCTIONS 2007-2010                      KIT# 83205**

### **⚠ WARNING**

Before you install this kit, read and understand all instructions, warnings, cautions, and notes in this instruction sheet and in the vehicle owner's manual.

### **⚠ CAUTION**

Proper installation of this kit requires knowledge of the factory recommended procedures for removal and installation of original equipment components. We recommend that the factory shop manual and any special tools needed to service your vehicle be on hand during the installation. Installation of this kit without proper knowledge of the factory recommended procedures may affect the performance of these components and the safety of the vehicle. We strongly recommend that a certified mechanic familiar with the installation of similar components install this kit.

### **⚠ WARNING**

Many states and municipalities have laws restricting bumper heights and vehicle lifts. Consult state and local laws to determine if the changes you intend to make to the vehicle comply with the law.

### **⚠ WARNING**

Always wear eye protection when operating power tools.

### **⚠ WARNING**

Before you install this kit, block the vehicle tires to prevent the vehicle from rolling.

### **NOTE**

Performance Automotive Group recommends using the Loctite® supplied in the kit on the threads of all kit nuts and bolts unless specified otherwise in these instructions.

# Before Starting Installation

**NOTE**  
Kit parts are prefaced by the word *kit* and appear in **bold** print.

1. Carefully read all warnings and instructions completely before beginning.
2. Verify all parts have been received in this kit by checking the parts list at the end of this document.

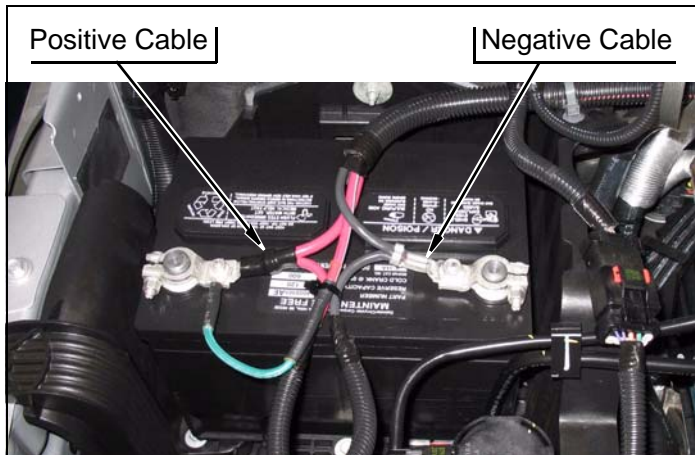
**NOTE**  
If parts are missing from kit, please be prepared to provide the following information:  
1. **Name** of purchase location  
2. **Bar Code** on side of box  
3. **Date** above bar code  
4. **Date** inside box cover  
5. **Inspector #** from inside box cover

3. **Only install this kit on the vehicle for which it is specified.** If anytime during the installation you encounter something different from what is outlined in the instructions, call technical support at (928) 636-7080.

4. Park vehicle on a clean, dry, flat, level surface and block tires so vehicle cannot roll in either direction.

## Engine Compartment

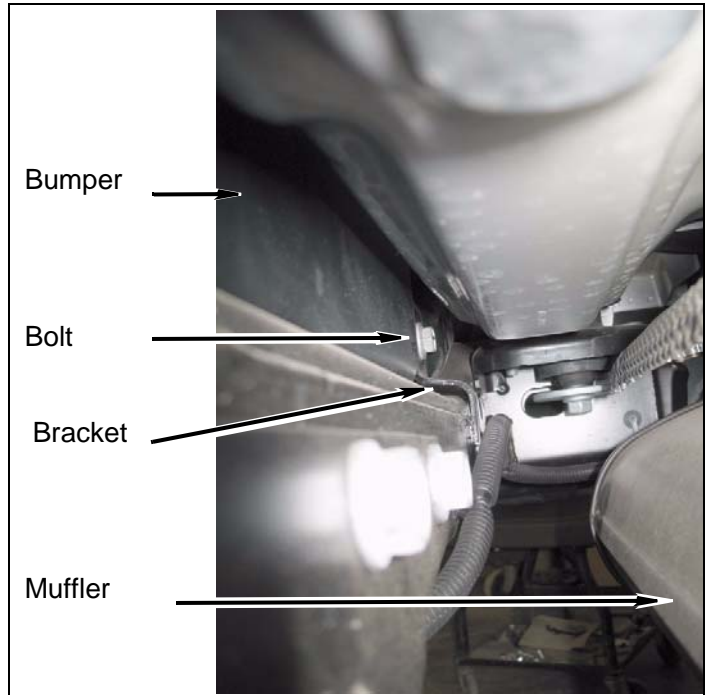
1. Disconnect both battery cables. Disconnect negative cable first, then positive cable.



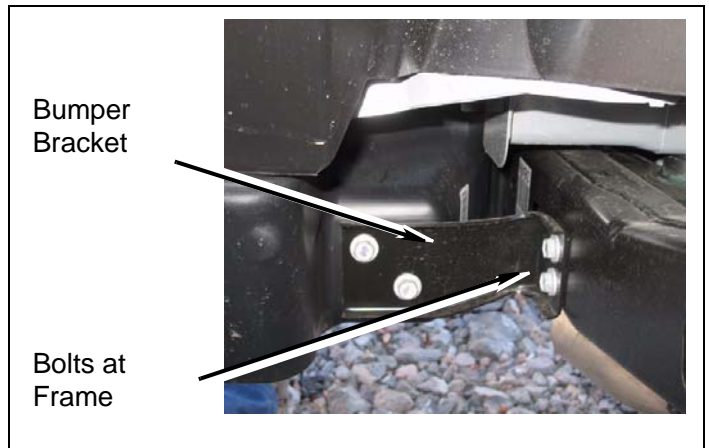
## Rear Bumper

1. Remove Factory Bumper

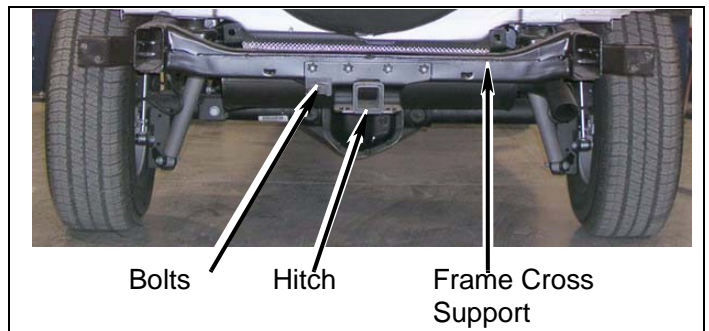
a. Remove two bolts from brackets on back side of bumper.



b. Remove two bolts from each bumper bracket at frame and remove bumper.



c. **Hitch Vehicles:** Remove four bolts, from frame cross support.

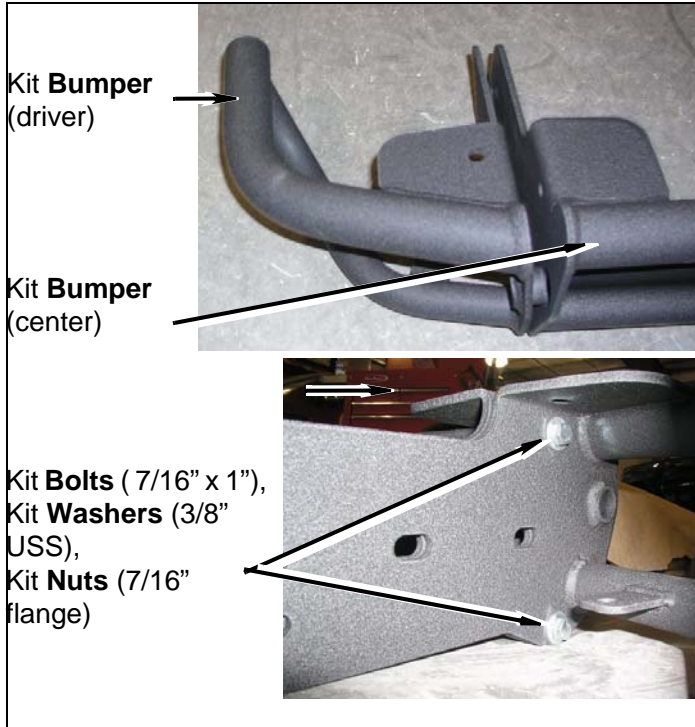


# Prepare to Install Kit

## Rear Bumper Assembly

### 1. Rear Bumper

- a. Install kit **bumper** (driver) to kit **bumper** (center) with two kit **bolts** (7/16" x 1"), two kit **washers** (3/8" USS), and two kit **nuts** (7/16" flange). **DO NOT TIGHTEN BOLTS.**

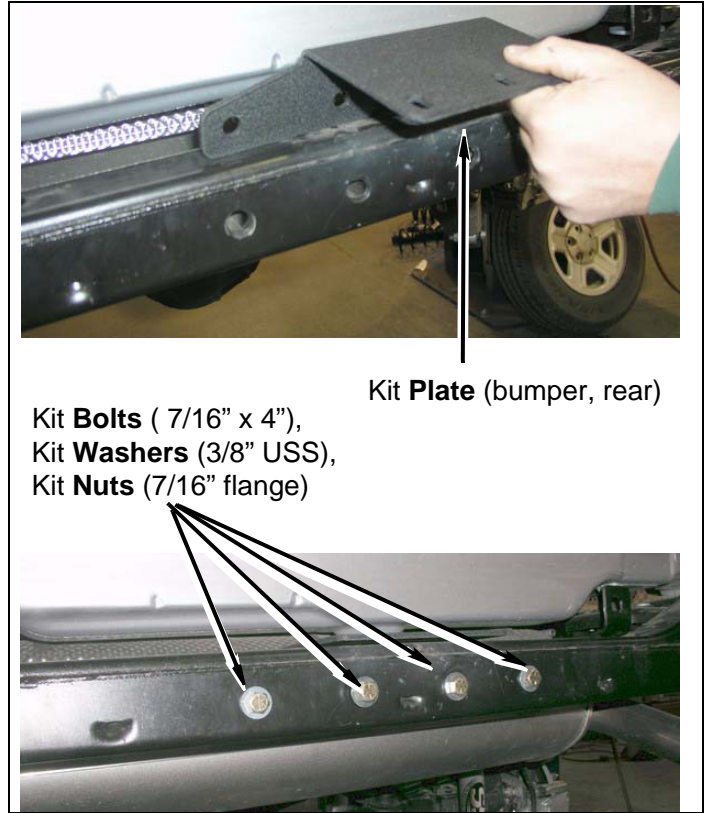


- b. Repeat for kit **bumper** (passenger).

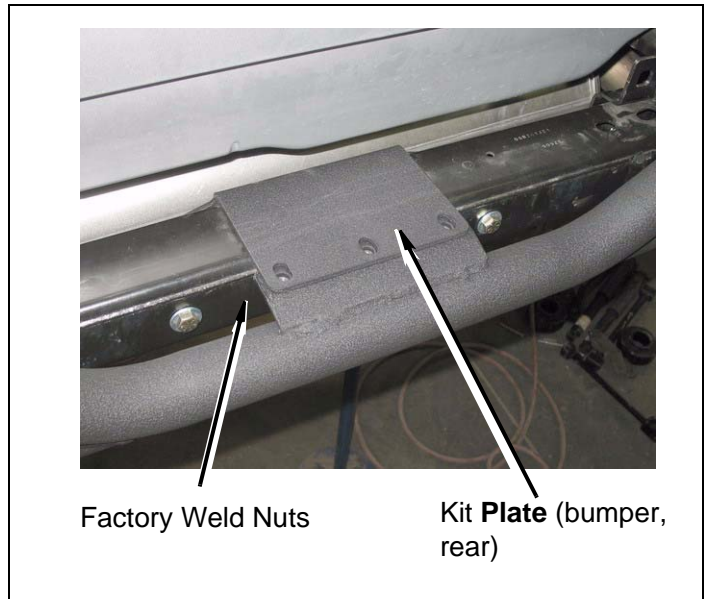
## Rear Bumper Install

### 1. Kit Rear Bumper Plate

- a. **Non-Hitch Vehicle:** Install four kit **bolts** (7/16" x 4"), four kit **washers** (3/8" USS), four kit **nuts** (7/16" flange), and kit **plate** (bumper, rear)

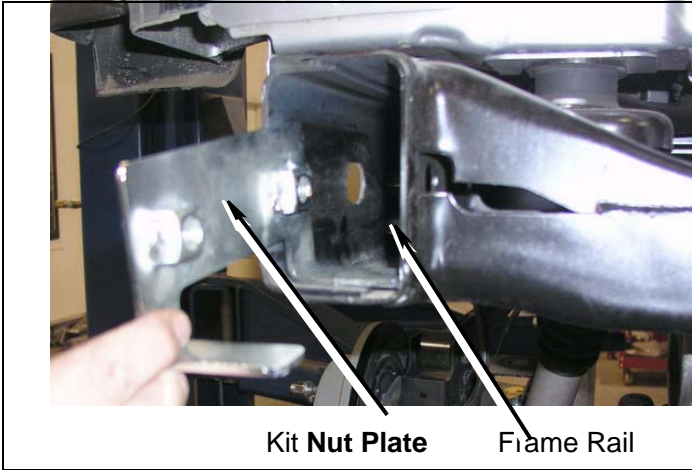


- b. **Hitch Vehicle:** Install four kit **bolts** (7/16" x 4"), four kit **washers** (3/8"), and kit **plate** (bumper, rear). Install kit bolts from back side of bumper cross brace into factory weld nuts..



2. Install kit **bumper** on vehicle.

a. Slide kit **bracket** (nut plate) into each frame rail.

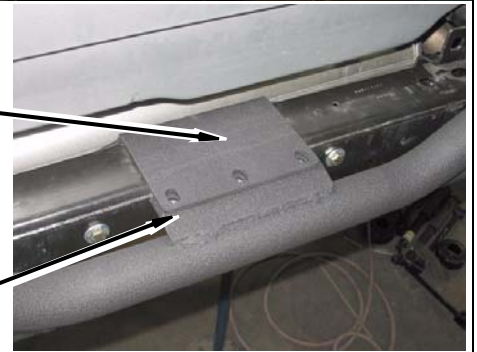


b. Place assembled bumper onto vehicle making sure bolt tab on kit **bumper** is under the kit **bracket** (plate, rear). Loosely install four kit **bolts** (1/2" x 1 1/2") and four kit **washers** (7/16" USS) into kit **bracket** (nut plate).

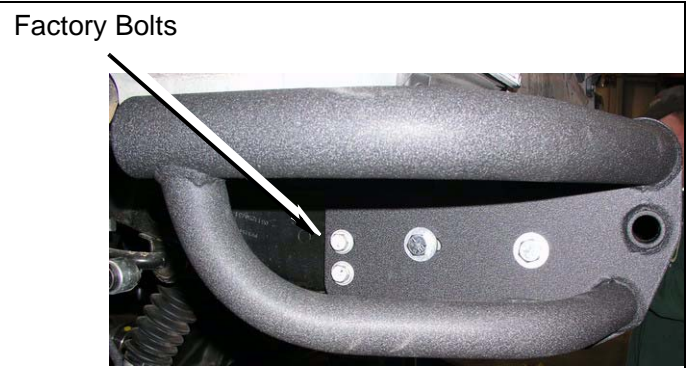


Install bumper (plate, rear) on top of tab welded on center of bumper.

Kit Bumper Tab



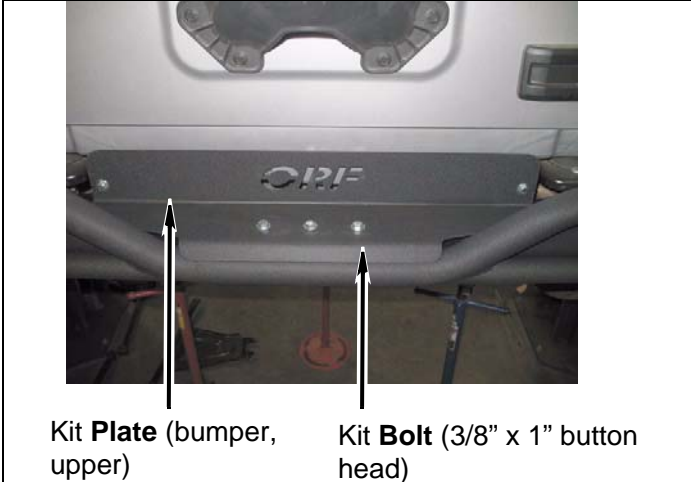
c. Install four factory bolts in kit **bumper** (driver)



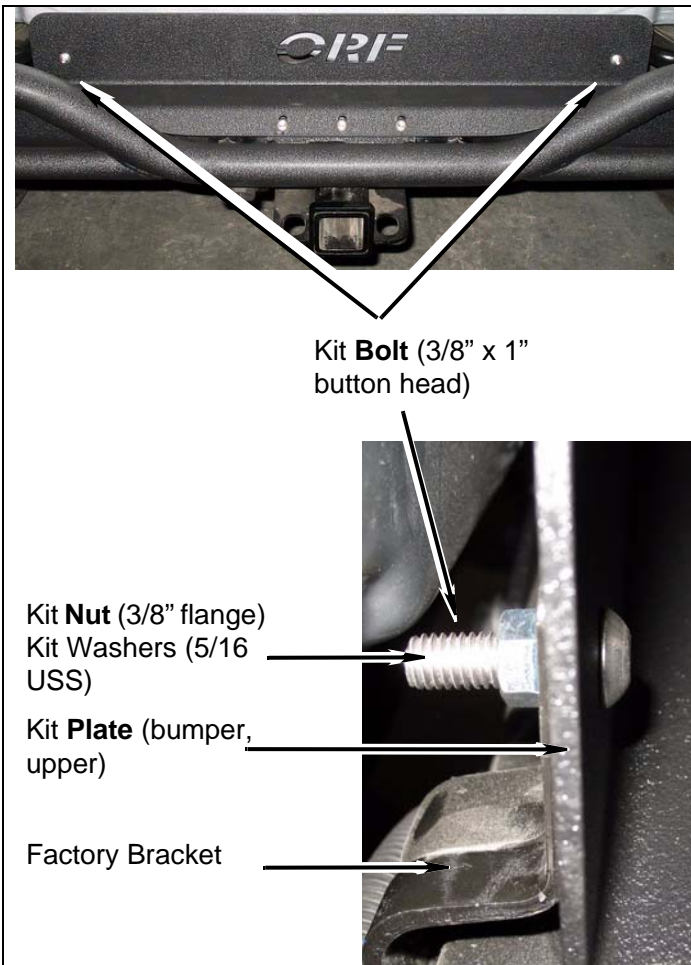
d. Repeat on passenger side.

### 3. Kit Bumper (Plate Upper)

a. Install three kit **bolts** (3/8" x 1" button head), three kit **washers** (5/16" USS), and kit **plate** (bumper, upper) on top of kit **bumper** (center). DO NOT TIGHTEN.



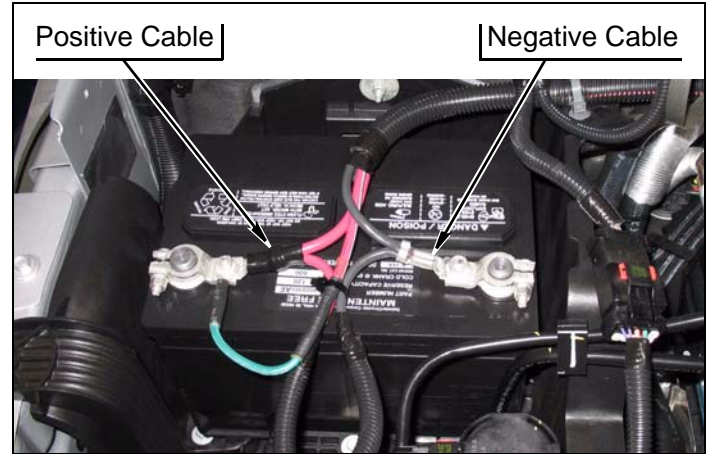
b. Install two kit **bolts** (3/8" x 1" button head), four kit **washers** (5/16" USS), and two kit **nuts** (3/8" flange).



4. Align kit **bumper** assembly and tighten all mounting bolts.

### Engine Compartment

1. Connect both battery cables. Connect positive cable first, then negative cable.



### Miscellaneous

1. Check all fasteners to ensure they are tight.

**⚠WARNING**

Retorque all fasteners after 500 miles and after off road use. All body lift components should be visually inspected and fasteners retorqued during routine vehicle servicing.

**NOTE**

All warranty information, instruction sheets, and other documents regarding the installation of this product must be retained by the vehicle owner. Information contained in the instructions and on the warranty card will be required for any warranty claims. The vehicle owner needs to understand the modifications made to the vehicle and how they affect vehicle handling and performance. Failure to provide the customer with this information can result in damage to the vehicle and severe personal injury.

# Kit Parts List

## Qty. Description

1	<b>Bumper</b> , Main Center - Rear
1	<b>Bumper</b> , Corner Left - Rear
1	<b>Bumper</b> , Corner Right - Rear
2	<b>Cap</b> , Domed End - Urethane
1	<b>Plate</b> , Bumper Rear - Center
1	<b>Plate</b> , Bumper Rear - Upper
<b><u>1</u></b>	<b><u>83205BAG (Hardware bag kit)</u></b>
4	<b>Bolt</b> , 7/16" x 4"
4	<b>Bolt</b> , 7/16" x 1"
5	<b>Bolt</b> , Button Head 3/8" x 1 1/4"
4	<b>Bolt</b> , 1/2" x 1 1/2"
2	<b>Bracket</b> , Nut Plate
8	<b>Nut</b> , Flange 7/16"
2	<b>Nut</b> , Flange 3/8"
8	<b>Washer</b> , 3/8" USS
7	<b>Washer</b> , 5/16" USS
4	<b>Washer</b> , 7/16" USS