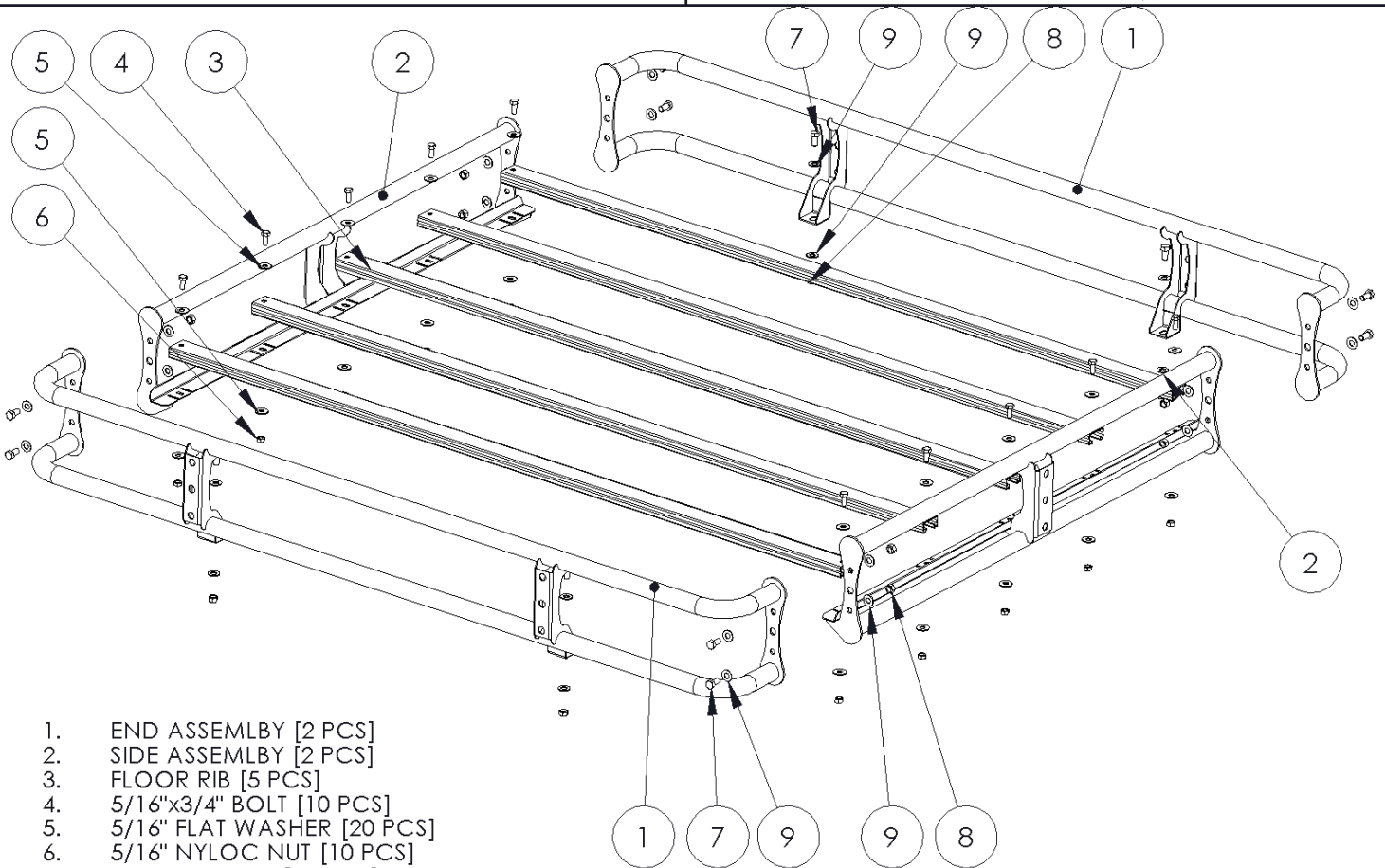


130822

JK 4 DOOR CARGO BASKET

**OFF CAMBER
FABRICATIONS**

by: **MBRP** INC.



1. END ASSEMBLY [2 PCS]
2. SIDE ASSEMBLY [2 PCS]
3. FLOOR RIB [5 PCS]
4. 5/16"x3/4" BOLT [10 PCS]
5. 5/16" FLAT WASHER [20 PCS]
6. 5/16" NYLOC NUT [10 PCS]
7. 3/8"x3/4" BOLT [12 PCS]
8. 3/8" NYLOC NUT [12 PCS]
9. 3/8" FLAT WASHER [24 PCS]

PLEASE READ BEFORE STARTING INSTALLATION

While MBRP Inc. has made every effort to ensure that all components of this kit are of superior quality and properly packaged, it is the installer's responsibility to ensure the following before starting:

- that ALL components shown above are present.
- that ALL mating components fit together.
- that there are no damaged components.
- that the kit you have purchased is appropriate for your year and model of vehicle.
- that the kit will not interfere with any modifications previously installed or planned.
- that you have read and understand these instructions.

If you have any questions or are uncertain about any aspect of the installation of this kit on your vehicle please contact your dealer before commencing installation.

OFF CAMBER FABRICATIONS

by: **MBRP** INC.

2007-2010 Jeep JK Cargo Basket Kit

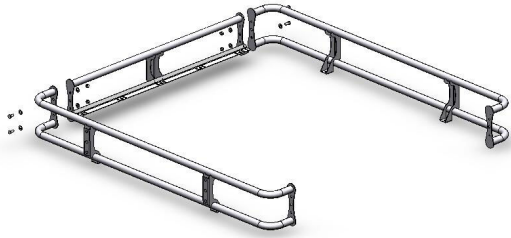


Figure 1

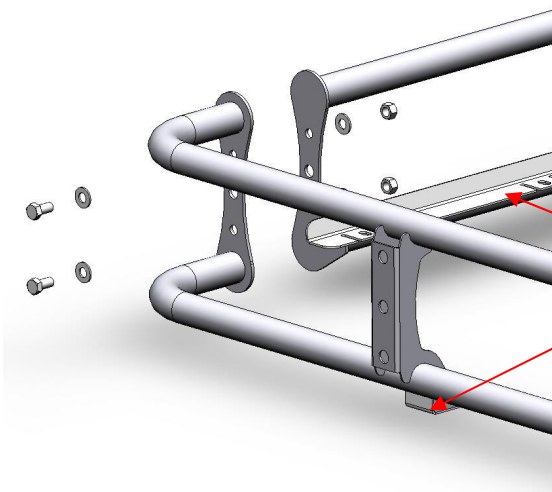
NOTE;

This kit requires the installation of **Off Camber Fabrications** Roof Rack Kit # **130717** or # **130927** prior to installation of this **Cargo Basket Kit # 130822**.

The **Cargo Basket Kit** should be assembled on the ground before being installed on the vehicle.

1. Pre-assemble both **End Assemblies** and one **Side Assembly** using the supplied **3/8"x3/4" Bolts**, **3/8" Flat Washers**, and **3/8" Nyloc Nuts**. Make sure the mounting feet are facing down on the **End Assemblies**, and the floor rib mount is facing down on the **Side Assembly**. Do not fully tighten fasteners yet.

Refer to Figures 1 and 2.



Floor Rib Mount

Mounting Foot

Figure 2

2. Install the 5 **Floor Ribs** by sliding the profile into the slots provided on the **Side Assembly**. Secure the **Floor Ribs** using the supplied **5/16"x3/4" Bolts**, **5/16" Flat Washers**, and **5/16" Nyloc Nuts**. Do not fully tighten fasteners yet.

Refer to Figure 3.

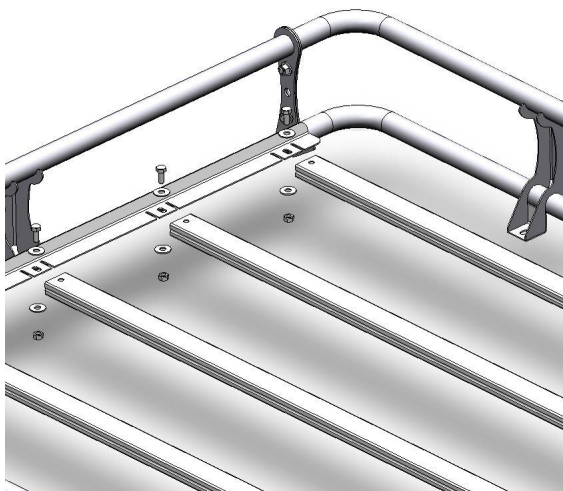


Figure 3

OFF CAMBER FABRICATIONS

by: **MBRP** Inc.

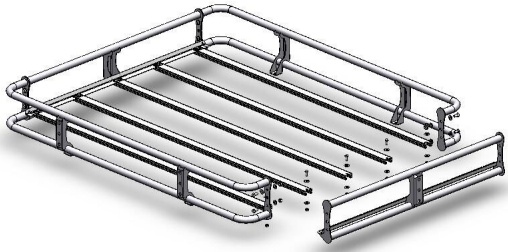


Figure 4

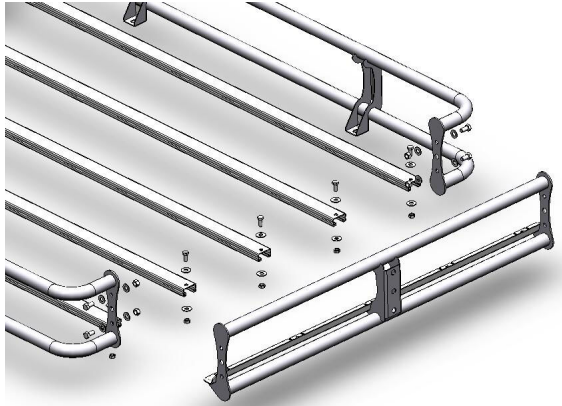


Figure 5



Figure 6

3. Install the other **Side Assembly** by carefully aligning all 5 **Floor Ribs** into the slots while positioning the **Side Assembly** in between the previously assembled **End Assemblies**. Secure the **Side Assembly** to the **End Assemblies** with the supplied with the supplied **3/8"x3/4" Bolts, 3/8" Flat Washers, and 3/8" Nyloc Nuts**. Secure the **Floor Ribs** using the supplied **5/16"x3/4" Bolts, 5/16" Flat Washers, and 5/16" Nyloc Nuts**.

Refer to Figures 4 and 5.

4. Install the **Cargo Basket** onto the Roof Rack with a friend's help. Once in position, line up the mounting holes on the **Cargo Basket** with the holes on the **Roof Rack Crossbar Brackets** as shown.

Refer to Figure 6.



Congratulations! You are finished. We are sure that you will enjoy this **Off Camber Fabrications** product by **MBRP Inc.**