

GOBI TOYOTA FJ CRUISER LADDER INSTALLATION INSTRUCTIONS

Guidelines:

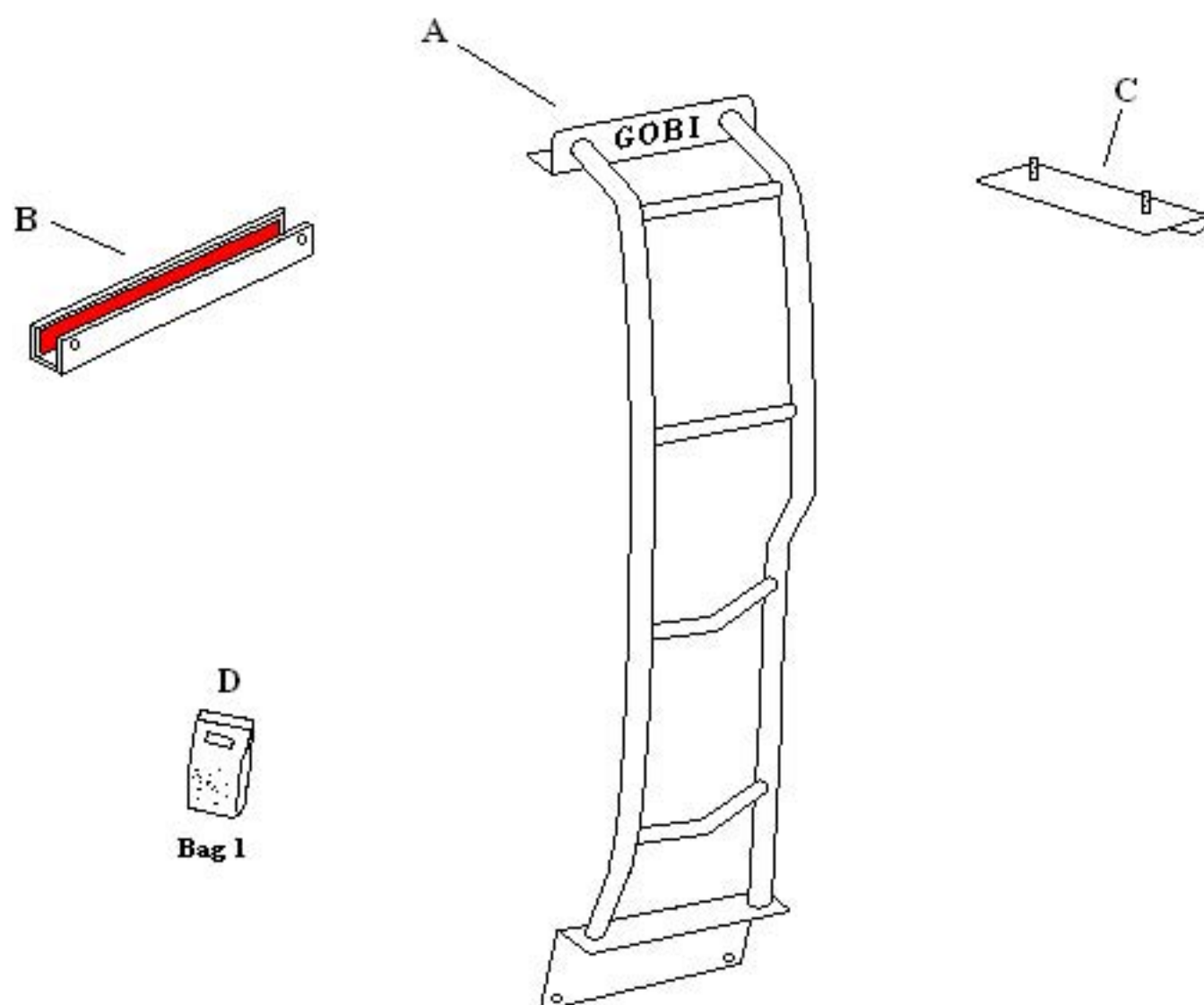
When using Load Carriers and Accessories, the user must understand the precautions. The points listed below will assist you in using the rack /carrier system and will encourage safety.

- For quality fits and safty, use only the recommended rack or accessory. Do not assume an accessory will fit, always check with dealer when obtaining new accessories. Use only approved accessories on load carriers. Using other brands will void your warrenty.
- Make sure all knobs, bolts, screws, straps, and locks are firmly attached, tightened and locked before every trip. Knobs, bolts, screws, straps, and locks must be periodically inspected for signs of wear, corrosion, and fatigue. Check your load at stops during the trip to insure continued fastening security.
- Check local and state laws governing projection of objects beyound the width of a vehicle. **Be aware of the width and height of your cargo since low clearance branches, bridges, and parking garages can affect the load** All cargo will affect the vehicle's driving behavior. Never drive with any lock, know, or rack in an open or unlocked position. All long loads such as, but not limited to sailboards, surfboards, kayaks, canoes, and lumber must be tied down front and rear to the bumpers or tow hooks, of the vehicle.
- Remove your rack accessories when they are not in use, before intering car washes, prior to taking in your vehicle for service, and whenever clearance may be an issue.
- All locks must be turned and moved periodically to insure smooth operation. Use graphite or similar dry lubricant to help this. Locks are designed to deter vandalism and theft. Remove valuable gear if your vehicle is unattended for an extended period. Place at least one key in the glove compartment.
- For safety to your vehicle and rack system, obey all posted speed limits and traffic cautions. Adapt your speed to the conditions of the road and the load being carried.
- Do not use load carriers and accessories for purposes other than those for which they were designed. Do not exceed their carrying capacity.
- Consult with your dealer if you have any questions regarding the operations and limits of this product. Review all instructions carefully.

GOBI TOYOTA FJ CRUISER LADDER INSTALLATION INSTRUCTIONS

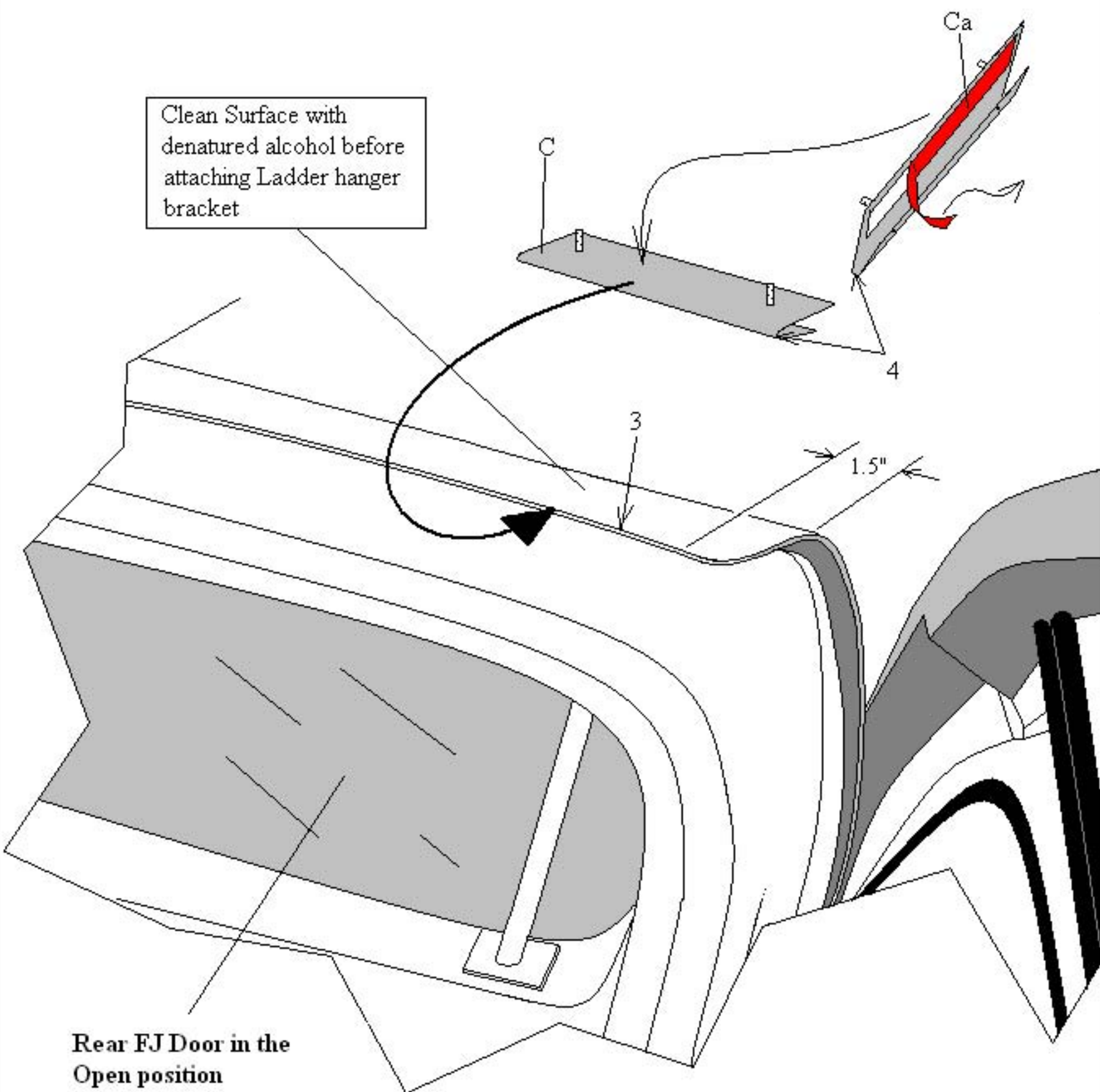
Included in kit

Letter	Description	Location	Quantity
A	GOBI TOYOTA FJ LEFT SIDE LADDER	Main box	1
B	"C" CLAMP	strapped to ladder	1
C	LADDER HANGER BRACKET	strapped to ladder	1
D	CONTENTS: 2- 5/16" x 18 Nylok Nuts 2- 5/16" Stainless Steel washers 1- 3/32" allen wrench 1- 3/16" allen wrench	BAG #1	1



GOBI TOYOTA FJ CRUISER LADDER INSTALLATION INSTRUCTIONS

Clean Surface with
denatured alcohol before
attaching Ladder hanger
bracket



Rear FJ Door in the
Open position

Fig. 1

GOBI TOYOTA FJ CRUISER LADDER INSTALLATION INSTRUCTIONS

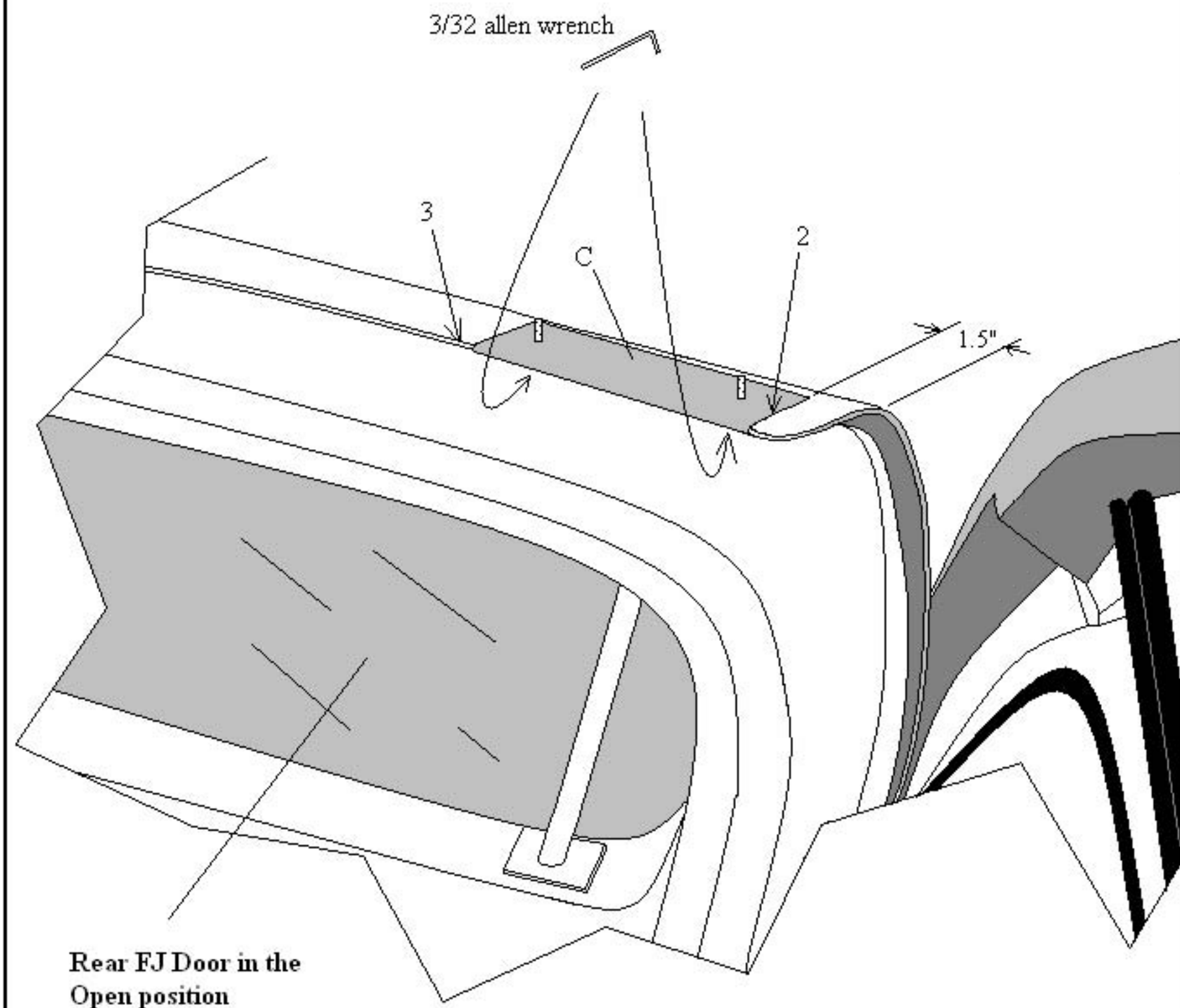
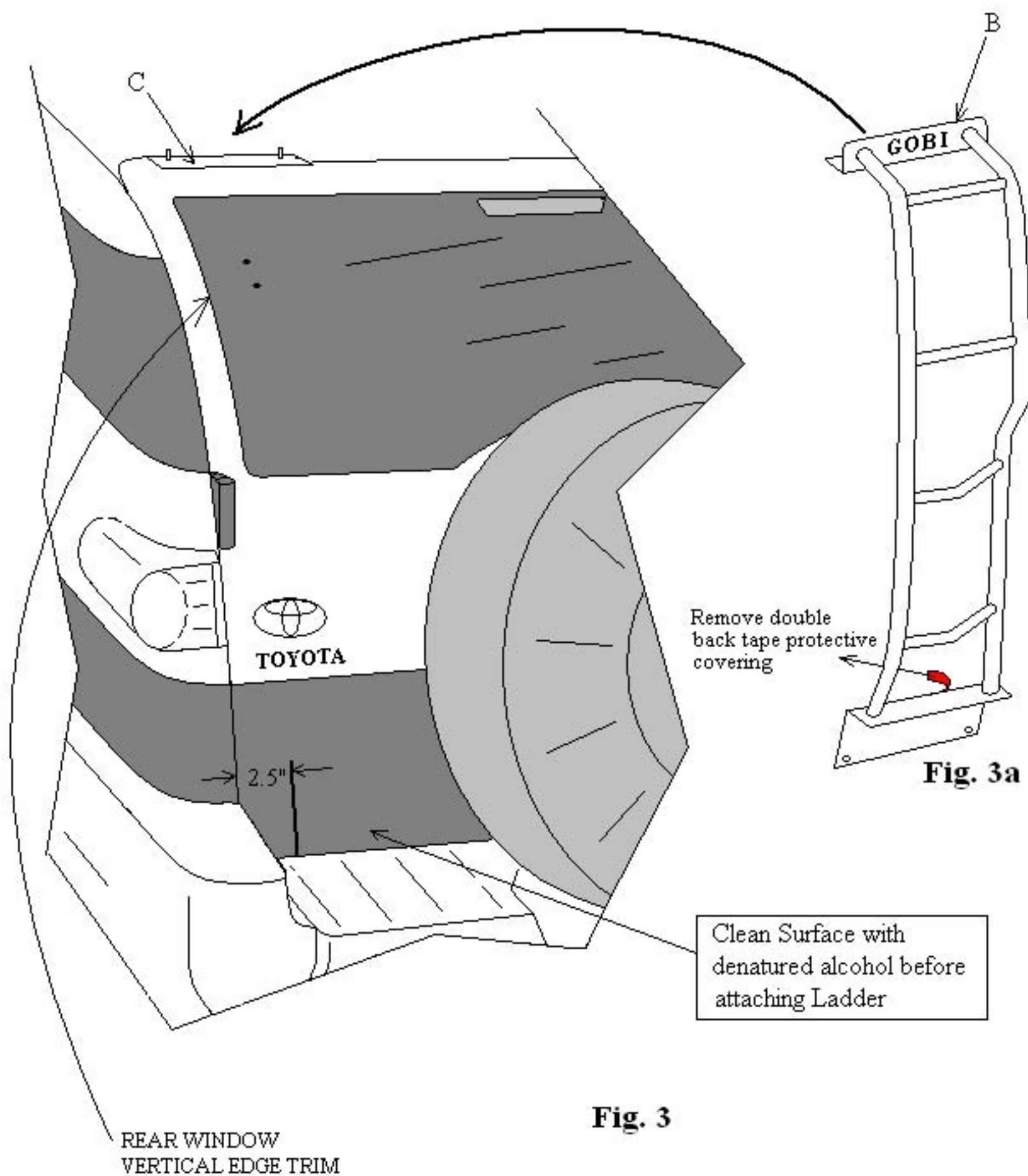


Fig. 2

GOBI TOYOTA FJ CRUISER LADDER INSTALLATION INSTRUCTIONS



GOBI TOYOTA FJ CRUISER LADDER INSTALLATION INSTRUCTIONS

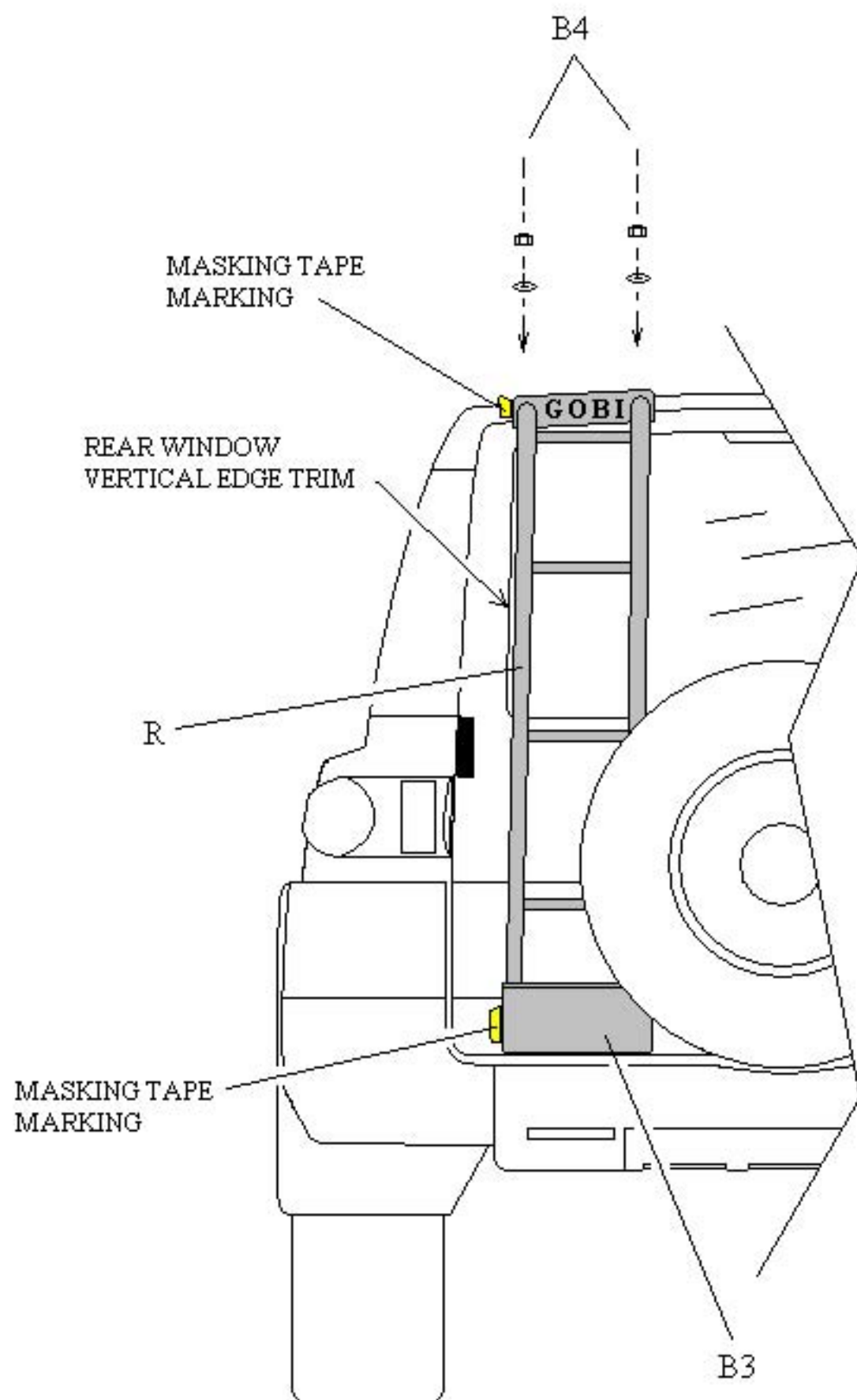
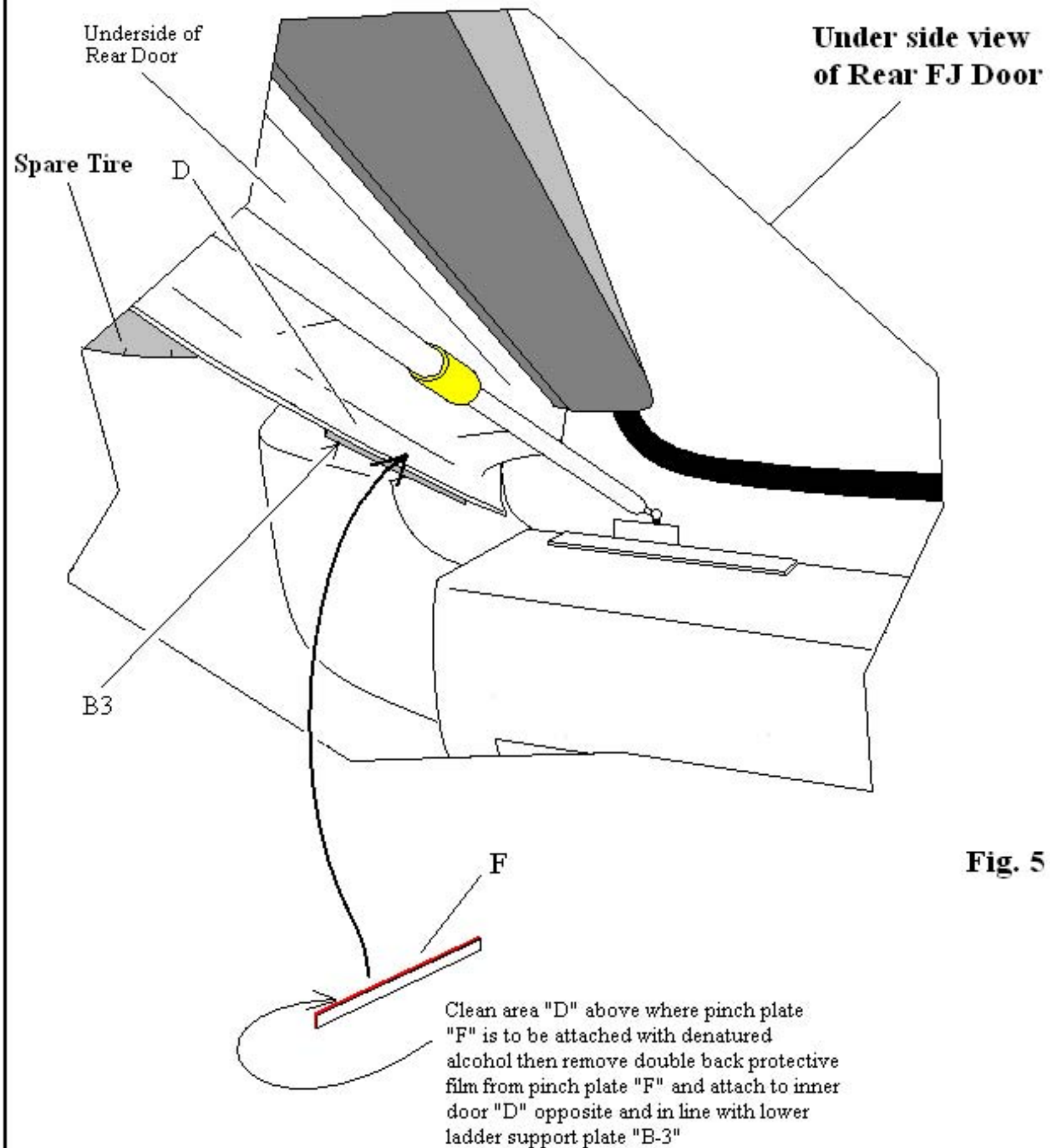
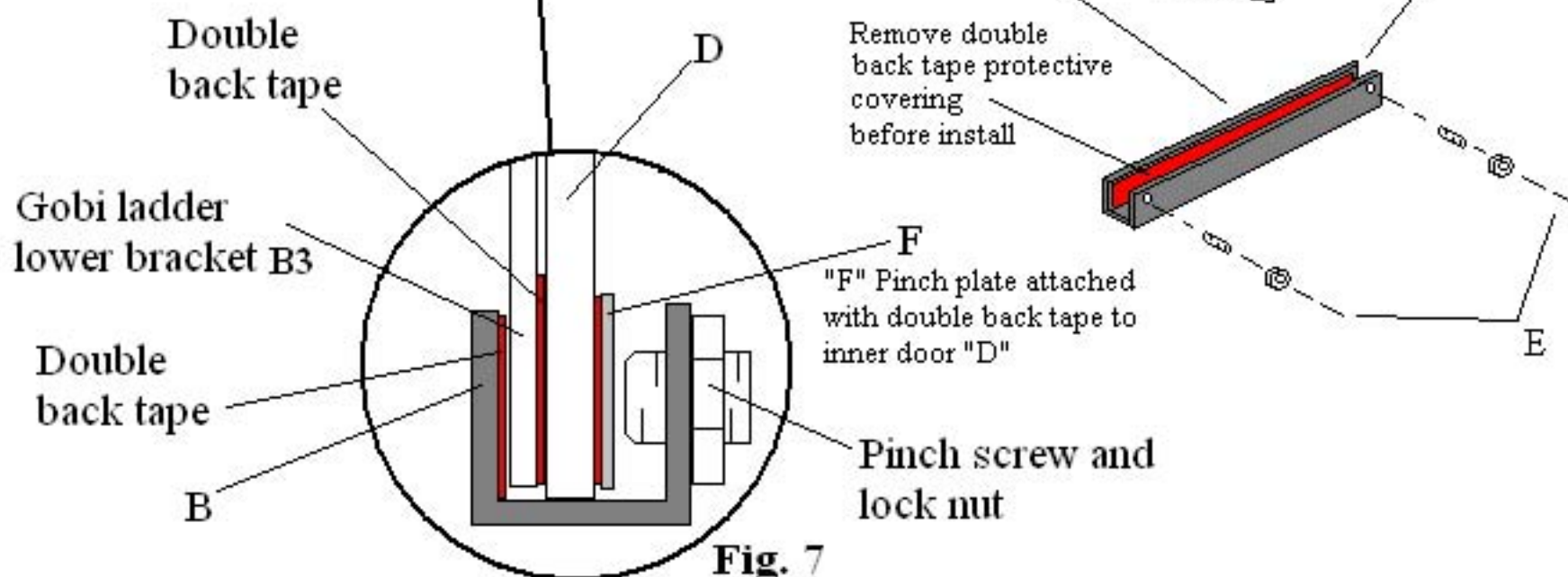
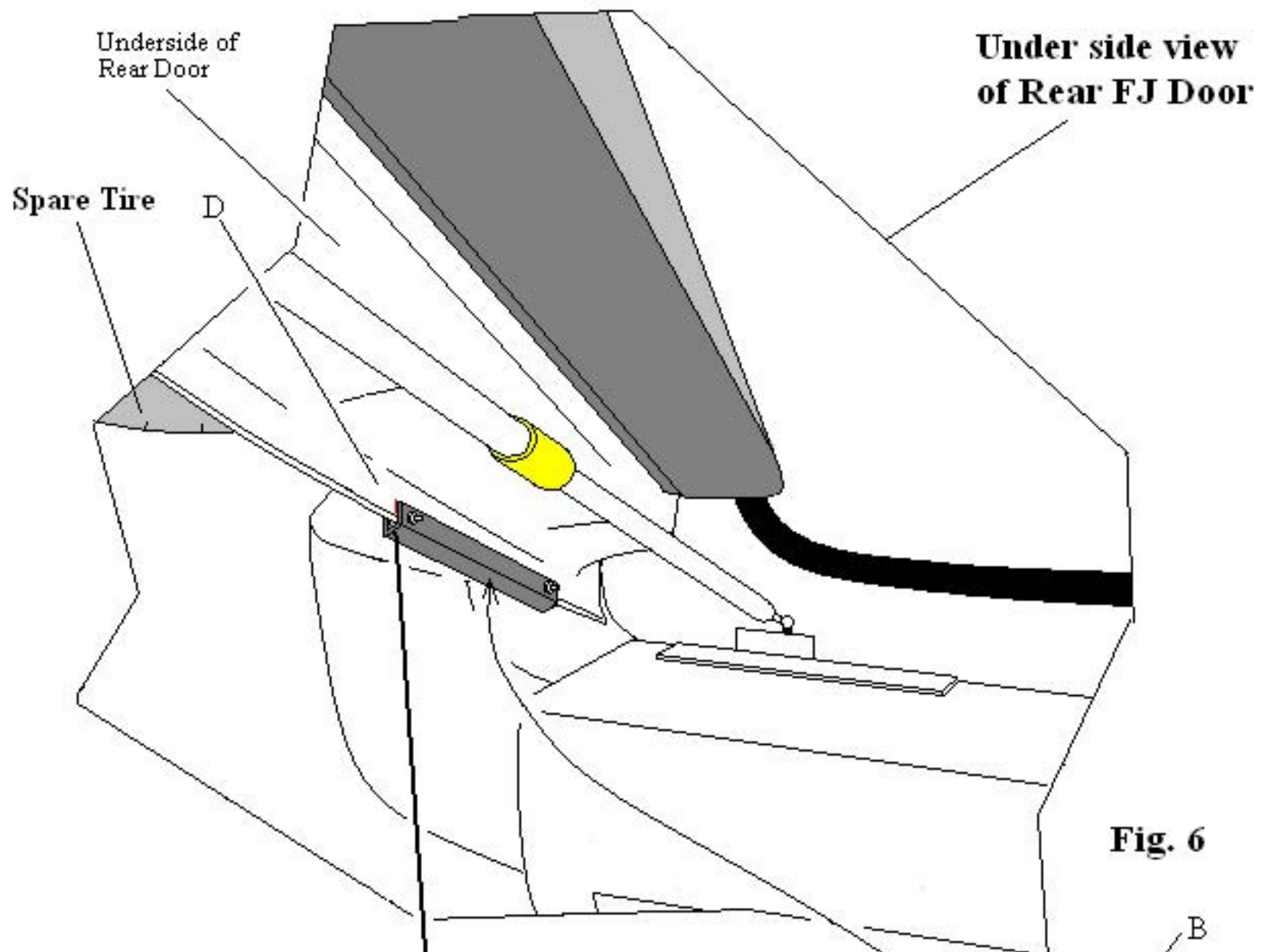


Fig. 4

GOBI TOYOTA FJ CRUISER LADDER INSTALLATION INSTRUCTIONS



**GOBI TOYOTA FJ CRUISER LADDER
INSTALLATION INSTRUCTIONS**

GOBI TOYOTA FJ CRUISER LADDER INSTALLATION INSTRUCTIONS

The Gobi ladder must be inspected before each use to make certain attachments are secure, and for evidence of Wear. Misuse of the ladder or failure to observe the manufacturer's instructions as to installation, proper Attachment and maintenance will void any warranties that may be implied by law.

INSTALLATION INSTRUCTIONS:

- 1- Fully open the rear Toyota FJ door at this time. Remove ladder hanger bracket "C" as illustrated on page 2 from ladder packaging. Place the ladder hanger bracket on to the top of the rear FJ door lip approximately 1.5" from the left side edge as shown on page 3 **Fig. 1** #3 and page 4 **Fig. 2** #2 and #3, **Do not peel off the double back tape or cinch down screws at this time.**
- 2- Close the door completely then hang the Gobi FJ ladder page 5 **Fig. 3a** on to the bolts of ladder hanger bracket "C" as shown on page 5 **Fig. 3** and page 6 **Fig. 4**. With the FJ ladder suspended from bracket "C" align the left rail "R" of the FJ ladder with the edge of the "Rear window vertical edge trim" as shown in page 6 **Fig. 4**. Slide the Gobi ladder either to the right or left to align the left side ladder rail "R" to the "Rear window vertical edge trim". Once alignment is confirmed use masking tape to mark the left side edge of both the upper and lower brackets as shown on page 6 **Fig. 4**.
- 3- Remove the Gobi FJ ladder from hanger bracket "C" then open the rear FJ door completely and remove hanger bracket "C".
- 4- Clean an area on the upper door surface as shown on page 3 **Fig. 1** with denatured alcohol to establish a clean bond for the double back tape under ladder hanger bracket "C". Peel off the protective covering of the double back tape as shown on page 3 **Fig. 1** "Ca". Attach ladder hanger bracket "C" to the top of the rear door along edge #3 page 3 **Fig. 1** and align with previously placed masking tape. Make sure prior to pressing the double back tape to the rear door that rear door edge #3 is in contact with the entire length of the inner most edge #4 of the ladder hanger bracket "C" shown on page 3 **Fig. 1** and page 4 **Fig. 2** then press the ladder hanger bracket "C" firmly onto the door lip. Using the 3/32" allen wrench provided in bag #1 of the hardware kit tighten the set screws under the ladder hanger bracket "C" as shown on page 4 **Fig. 2** do not over tighten.
- 5- Close the rear FJ door completely to begin the next step. Remove the double back tape protective covering from the bottom of the Gobi FJ ladder bracket as shown on page 5 **Fig. 3a** then place the Gobi FJ ladder's top bracket "B" over the ladder hanger bracket "C" as shown on page 5 **Fig. 3a** and **Fig. 3**. Pull down firmly on the Gobi FJ ladder after you have aligned the holes of the Gobi ladder bracket labeled "B" over the threaded studs protruding up from ladder hanger bracket "C" as shown on page 6 **Fig. 4**. As the Gobi ladder is firmly pulled down align the left side of the lower bracket "B3" to the previously placed masking tape alignment mark then press bracket "B3" against the rear door firmly for 10 to 20 seconds as shown on page 6 **Fig. 4**.
- 6- Open rear FJ door completely at this time clean area "D" of rear door as shown on page 7 **Fig. 5** with denatured alcohol remove double back tape from Pinch plate "F" then place on inner door "D" even with door lower lip and aligned with lower ladder support plate "B-3" as shown. Have a second person firmly pull down on the ladder while clamp "B" supplied with hardware kit shown on page 8 is placed over both the Gobi FJ Ladder bracket "B-3" and lower door frame "D" as shown on **Fig. 6**. Then push clamp "B" fully up against the lower edge of door frame "D" and in alignment with Gobi FJ ladder bracket "B-3" before tightening. Tighten both set screws "E" fully with the 3/16" Allen wrench supplied in bag #1 of your hardware kit. After both set screws have been fully tightened cinch down both 9/16" jam nuts to prevent loosening of the set screws during use and finally tighten the 2 Upper Gobi FJ ladder 5/16" nuts and washers "B-4" as shown on page 6 **Fig. 4**. Remove masking tape marks, installation is completed.