

GOBI JEEP TJ 2 DOOR ROOF RACK INSTALLATION INSTRUCTIONS

Guidelines:

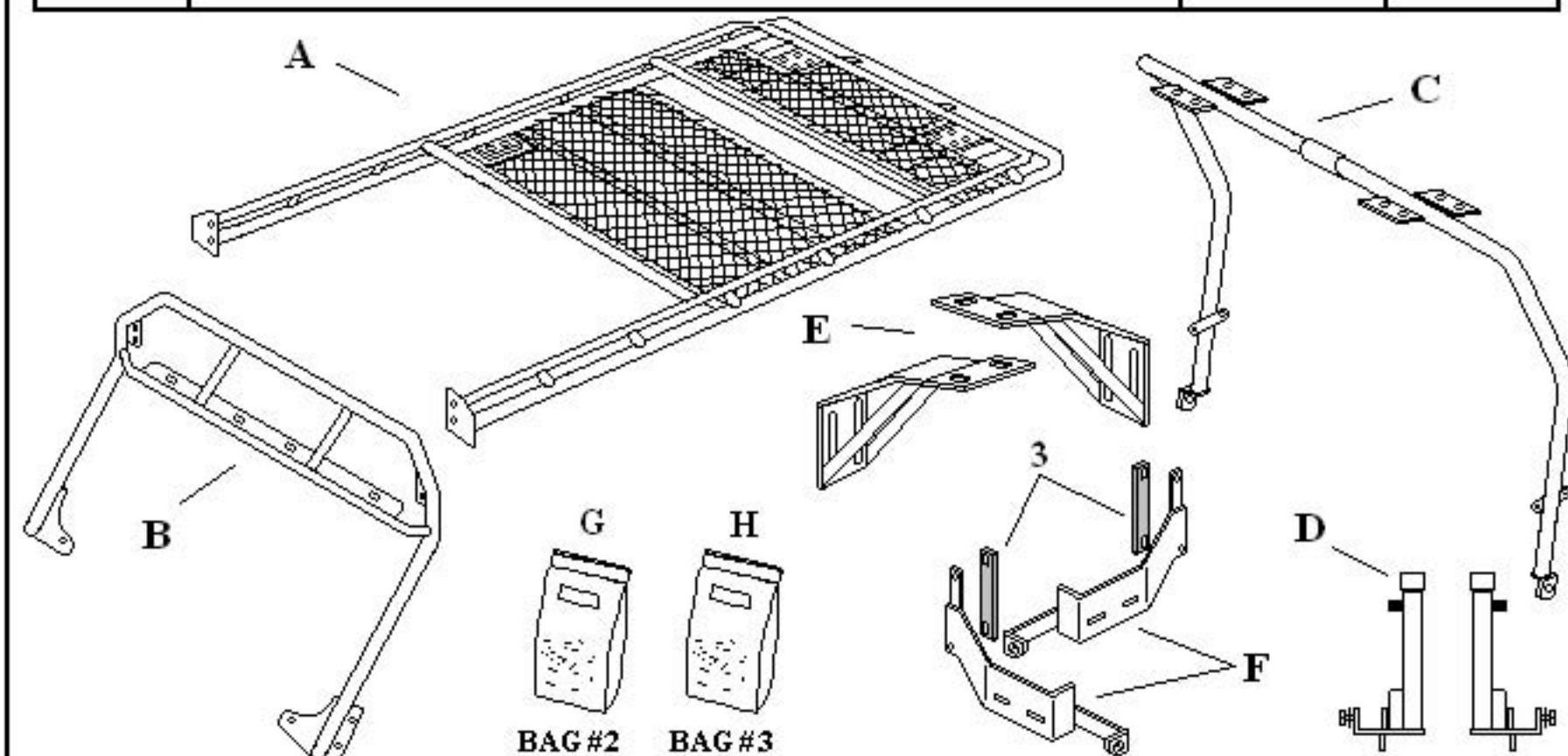
When using Load Carriers and Accessories, the user must understand the precautions. The points listed below will assist you in using the rack /carrier system and will encourage safety.

- For quality fits and safty, use only the recommended rack or accessory. Do not assume an accessory will fit, always check with dealer when obtaining new accessories. Use only approved accessories on load carriers. Using other brands will void your warrenty.
- Make sure all knobs, bolts, screws, straps, and locks are firmly attached, tightened and locked before every trip. Knobs, bolts, screws, straps, and locks must be periodically inspected for signs of wear, corrosion, and fatigue. Check your load at stops during the trip to insure continued fastening security.
- Check local and state laws governing projection of objects beyound the width of a vehicle. **Be aware of the width and height of your cargo since low clearance branches, bridges, and parking garages can affect the load** All cargo will affect the vehicle's driving behavior. Never drive with any lock, know, or rack in an open or unlocked position. All long loads such as, but not limited to sailboards, surfboards, kayaks, canoes, and lumber must be tied down front and rear to the bumpers or tow hooks, of the vehicle.
- Remove your rack accessories when they are not in use, before intering car washes, prior to taking in your vehicle for service, and whenever clearance may be an issue.
- All locks must be turned and moved periodically to insure smooth operation. Use graphite or similar dry lubricant to help this. Locks are designed to deter vandalism and theft. Remove valuable gear if your vehicle is unattended for an extended period. Place at least one key in the glove compartment.
- For safety to your vehicle and rack system, obey all posted speed limits and traffic cautions. Adapt your speed to the conditions of the road and the load being carried.
- Do not use load carriers and accessories for purposes other than those for which they were designed. Do not exceed their carrying capacity.
- Consult with your dealer if you have any questions regarding the operations and limits of this product. Review all instructions carefully.

GOBI JEEP TJ 2 DOOR ROOF RACK INSTALLATION INSTRUCTIONS

Included in kit

Letter	Description	Location	Quantity																
A	GOBI 98-06 JEEP TJ ROOF RACK	Main box	1																
B	GOBI 98-06 JEEP TJ FRONT LIGHT BAR	Strapped to Rack	1																
C	REAR ROOF RACK SUPPORT BAR	Strapped to Rack	1																
D	Rear Rack Support Towers Passenger and Drivers Side	Hardware Box	1 ea.																
E	Rear Tower Support Plate Passenger and Driver's Side	Hardware Box	1 ea.																
F	Rear Frame extension plates Passenger and Driver's side	Hardware Box	1 ea.																
G	<p>GOBI RACK MOUNTING HARDWARE</p> <p>CONTENTS:</p> <table border="0"> <tr> <td>4 Nylon Shoulder washers</td> <td>2 - 3/8" x 1-1/4" Carriage Bolt SS</td> </tr> <tr> <td>4 1/2" Flat Washers Grade 8</td> <td>4 - 3/8 -16 x 4" Carriage Bolt Zinc</td> </tr> <tr> <td>2- 1/2" x 2-1/2" Hex Head Bolts SS</td> <td>6 - 5/16 x 1-1/4" Button Head bolt SS</td> </tr> <tr> <td>2- 1/2" Hex Nuts SS</td> <td>6 - 5/16" Flat washer SS</td> </tr> <tr> <td>8- 3/8-16 x 1" Hex Head Bolts SS</td> <td>6 - 5/16" Lock washer SS</td> </tr> <tr> <td>32- 3/8" Flat washers Grade 8</td> <td>1 - T-40 Torx Bit</td> </tr> <tr> <td>24- 3/8" Nylok Nut Grade 8</td> <td>2 - Clamp plates Black #3 (taped to "F")</td> </tr> <tr> <td>8- 3/8x 1" Carriage Bolt SS</td> <td>1 - Packet Anti-Seize Lubricant</td> </tr> </table>	4 Nylon Shoulder washers	2 - 3/8" x 1-1/4" Carriage Bolt SS	4 1/2" Flat Washers Grade 8	4 - 3/8 -16 x 4" Carriage Bolt Zinc	2- 1/2" x 2-1/2" Hex Head Bolts SS	6 - 5/16 x 1-1/4" Button Head bolt SS	2- 1/2" Hex Nuts SS	6 - 5/16" Flat washer SS	8- 3/8-16 x 1" Hex Head Bolts SS	6 - 5/16" Lock washer SS	32- 3/8" Flat washers Grade 8	1 - T-40 Torx Bit	24- 3/8" Nylok Nut Grade 8	2 - Clamp plates Black #3 (taped to "F")	8- 3/8x 1" Carriage Bolt SS	1 - Packet Anti-Seize Lubricant	BAG #2 Hardware Box	1
4 Nylon Shoulder washers	2 - 3/8" x 1-1/4" Carriage Bolt SS																		
4 1/2" Flat Washers Grade 8	4 - 3/8 -16 x 4" Carriage Bolt Zinc																		
2- 1/2" x 2-1/2" Hex Head Bolts SS	6 - 5/16 x 1-1/4" Button Head bolt SS																		
2- 1/2" Hex Nuts SS	6 - 5/16" Flat washer SS																		
8- 3/8-16 x 1" Hex Head Bolts SS	6 - 5/16" Lock washer SS																		
32- 3/8" Flat washers Grade 8	1 - T-40 Torx Bit																		
24- 3/8" Nylok Nut Grade 8	2 - Clamp plates Black #3 (taped to "F")																		
8- 3/8x 1" Carriage Bolt SS	1 - Packet Anti-Seize Lubricant																		
H	<p>GOBI RACK ISOLATOR HARDWARE</p> <p>CONTENTS:</p> <ul style="list-style-type: none"> 2- Black Triangular adhesive backed wear plates (Place on vehicle body under Rubber Isolators 21) 2- 1" Round Black Nylon adhesive backed wear plate (Place on vehicle body under Tower stand offs (14) 2- 1" Round Brown adhesive backed wear pads 	BAG #3 Hardware Box	1																



GOBI JEEP TJ 2 DOOR ROOF RACK INSTALLATION INSTRUCTIONS

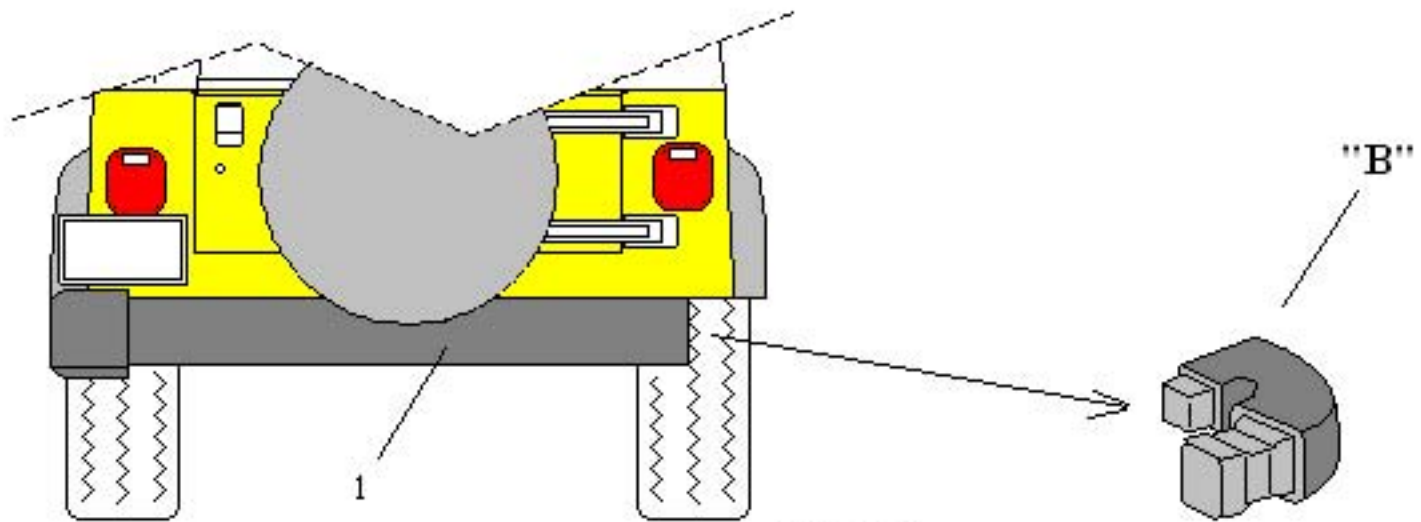


Fig. 1

Rear Passenger Side View without
Bumper end Cap "B"

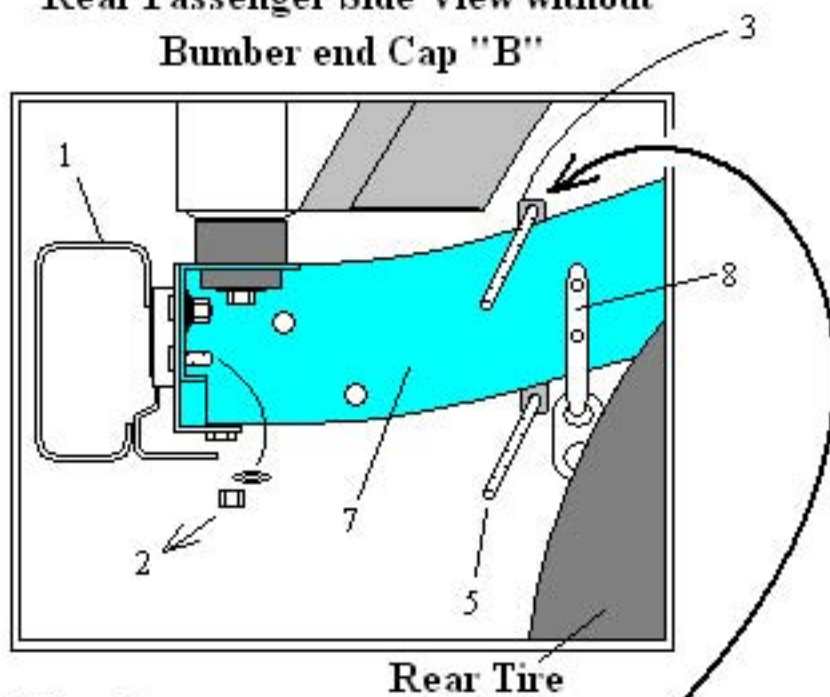


Fig. 2

Rear Passenger Side View with
Frame Extension attached

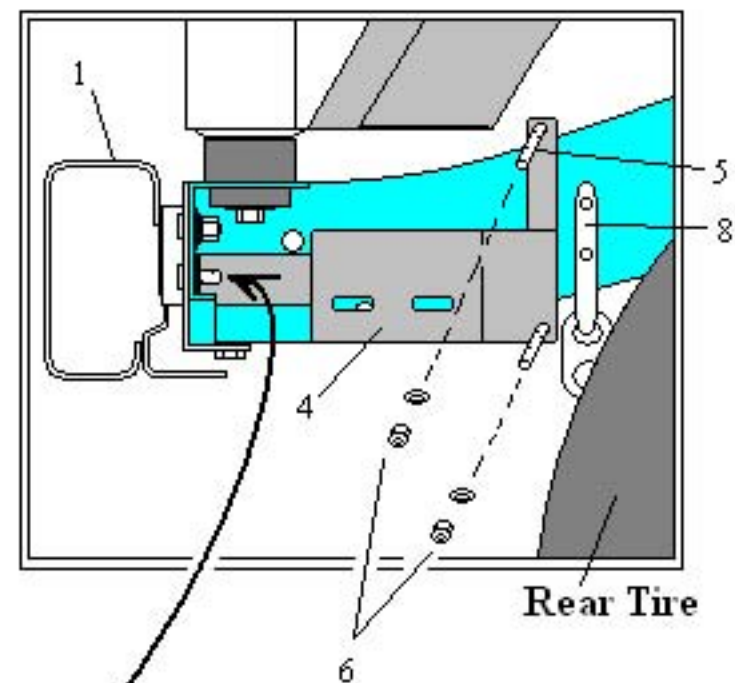
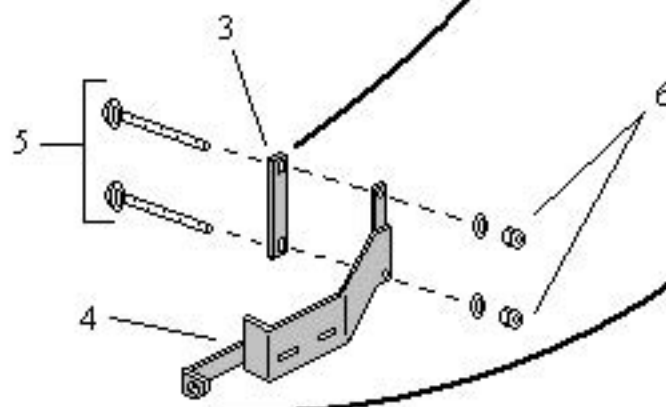


Fig. 3



GOBI JEEP TJ 2 DOOR ROOF RACK INSTALLATION INSTRUCTIONS

Rear View Passenger Side Frame and Frame Extension

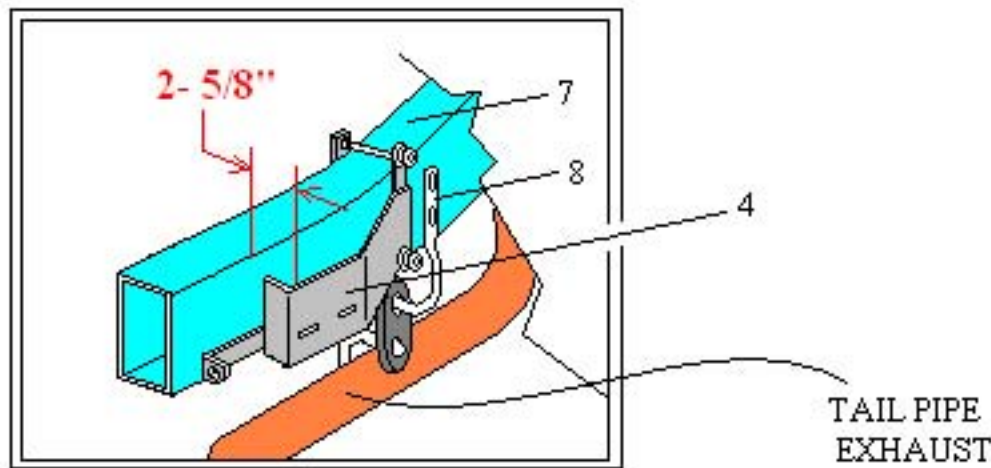


Fig. 4

Underside View of Rear Passenger Side Frame, Exhaust Tail Pipe and Frame Extension

REAR BUMPER
UNDERSIDE VIEW

EXHAUST
TAIL PIPE

EXHAUST
HANGER

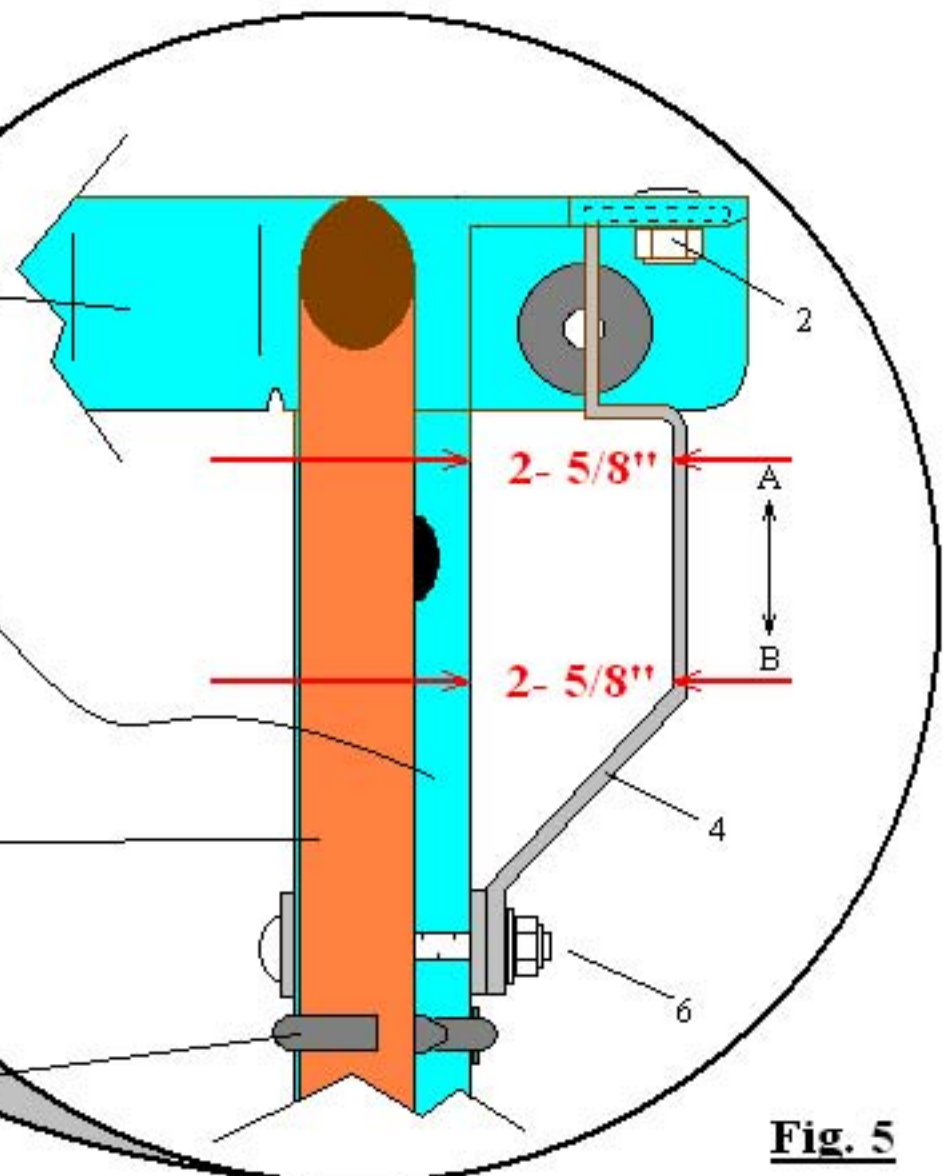
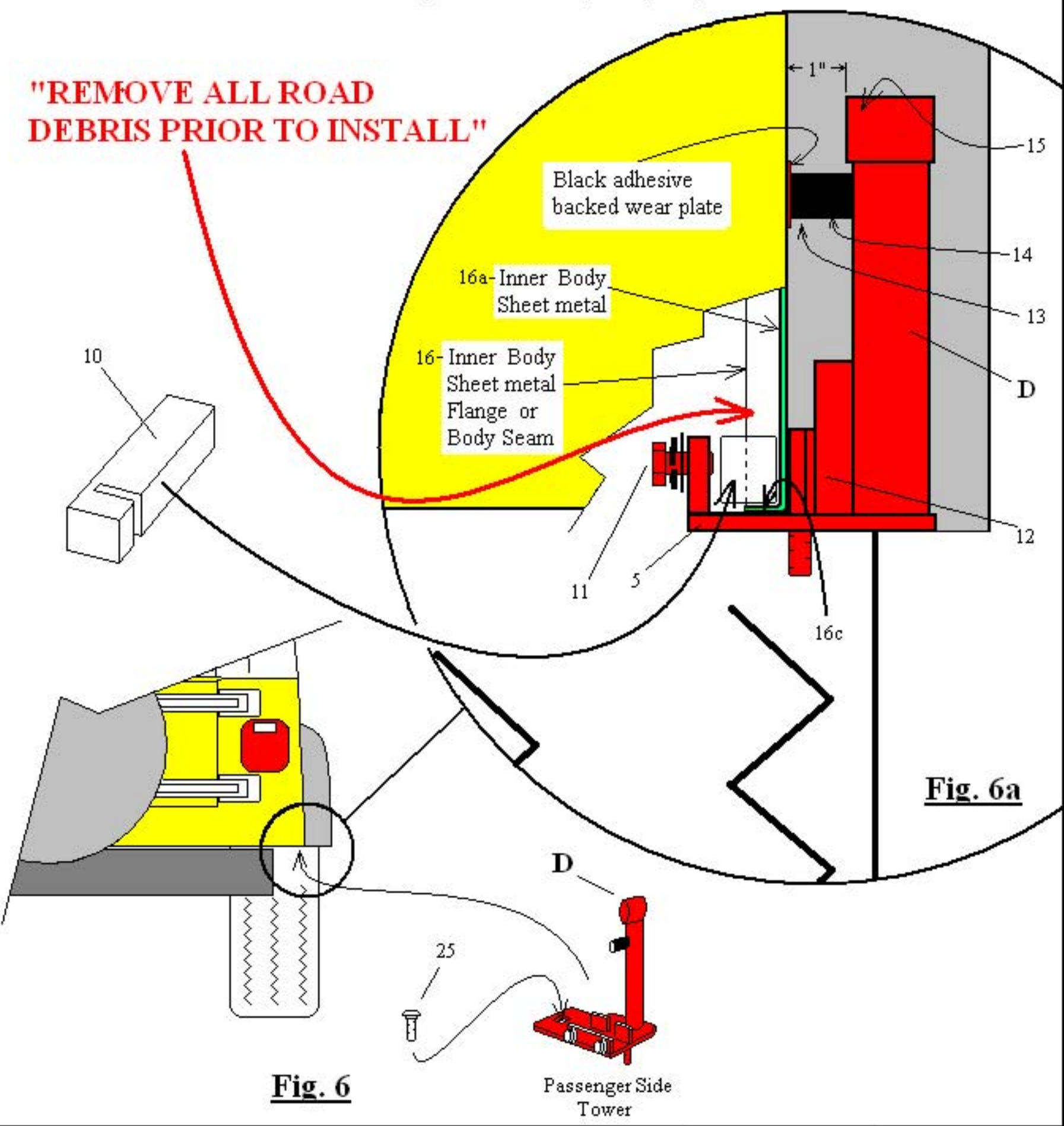


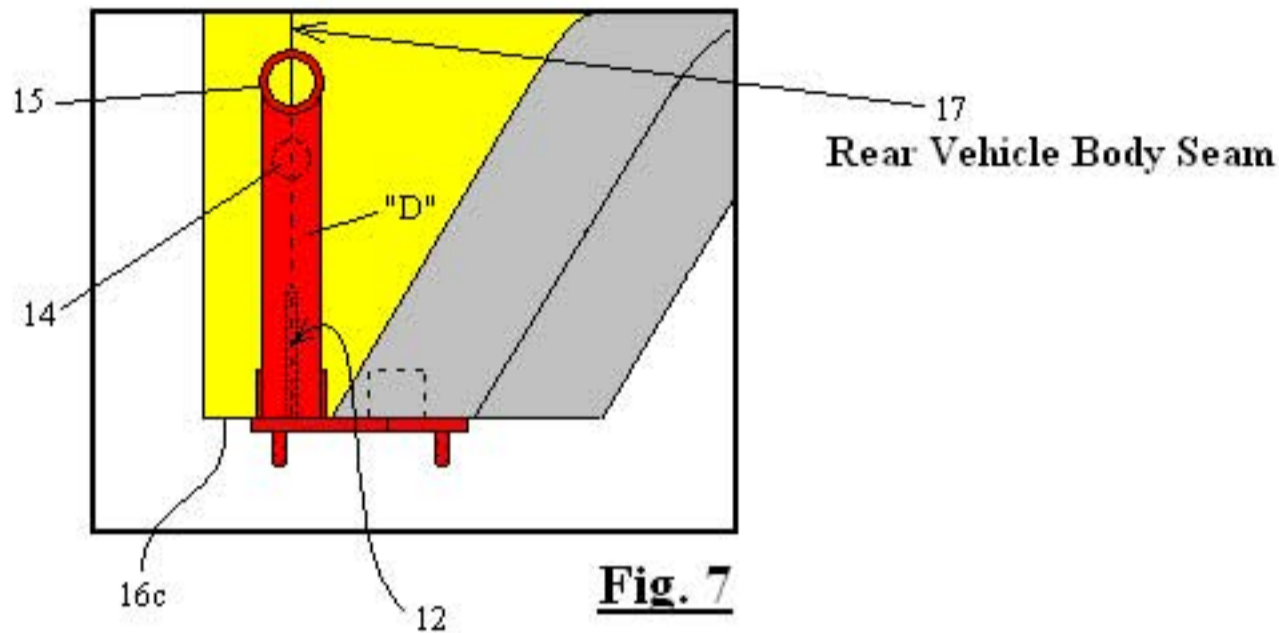
Fig. 5

GOBI JEEP TJ 2 DOOR ROOF RACK INSTALLATION INSTRUCTIONS

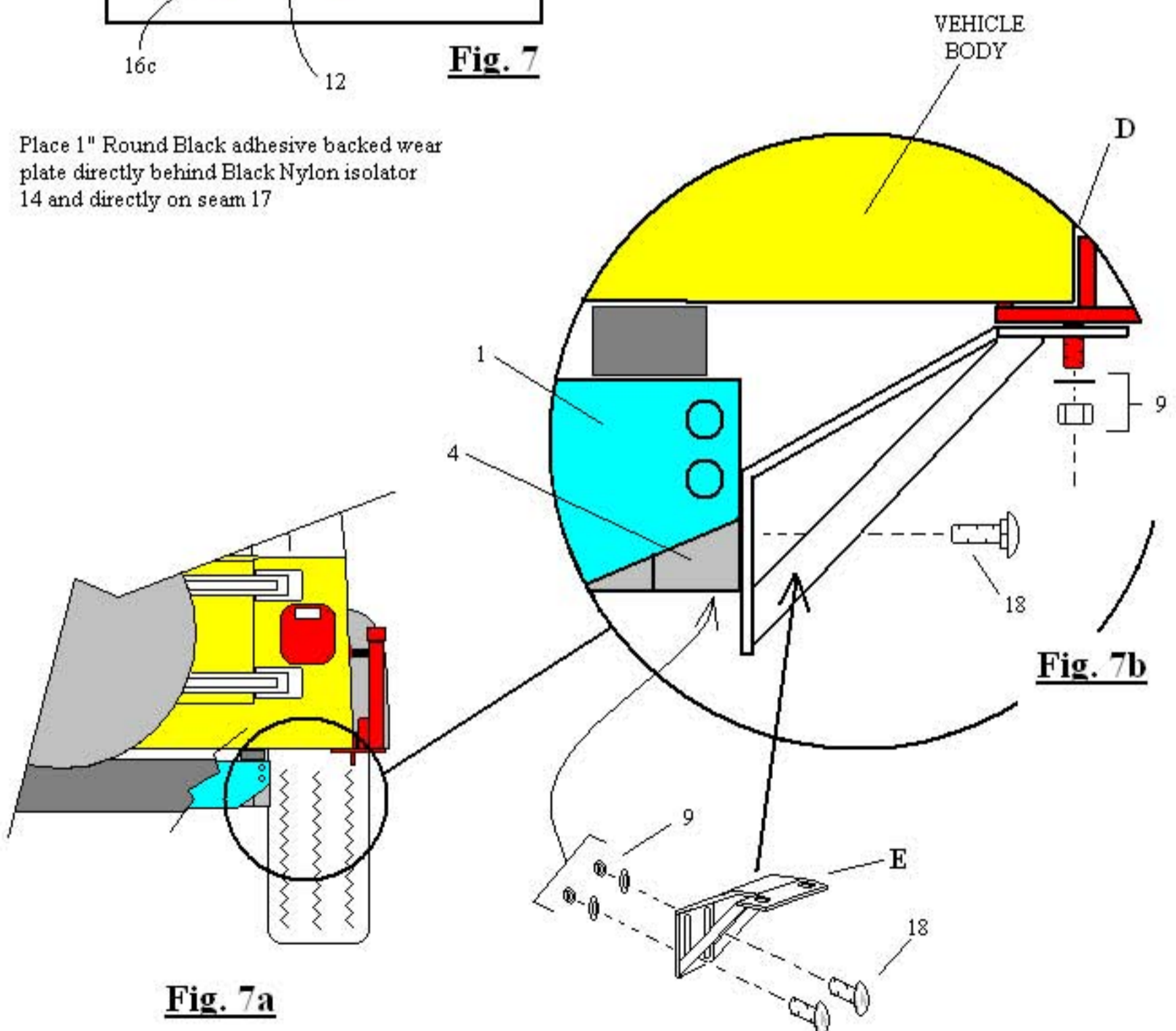
The rack must be inspected before each use to make certain attachments are secure, and for evidence of Wear. Misuse of the rack or failure to observe the manufacturer's instructions as to installation, proper Attachment and maintenance will void any warranties that may be implied by law.

"REMOVE ALL ROAD DEBRIS PRIOR TO INSTALL"



**GOBI JEEP TJ 2 DOOR ROOF RACK
INSTALLATION INSTRUCTIONS****Rear Passenger Side view**

Place 1" Round Black adhesive backed wear plate directly behind Black Nylon isolator 14 and directly on seam 17



GOBI JEEP TJ 2 DOOR ROOF RACK INSTALLATION INSTRUCTIONS

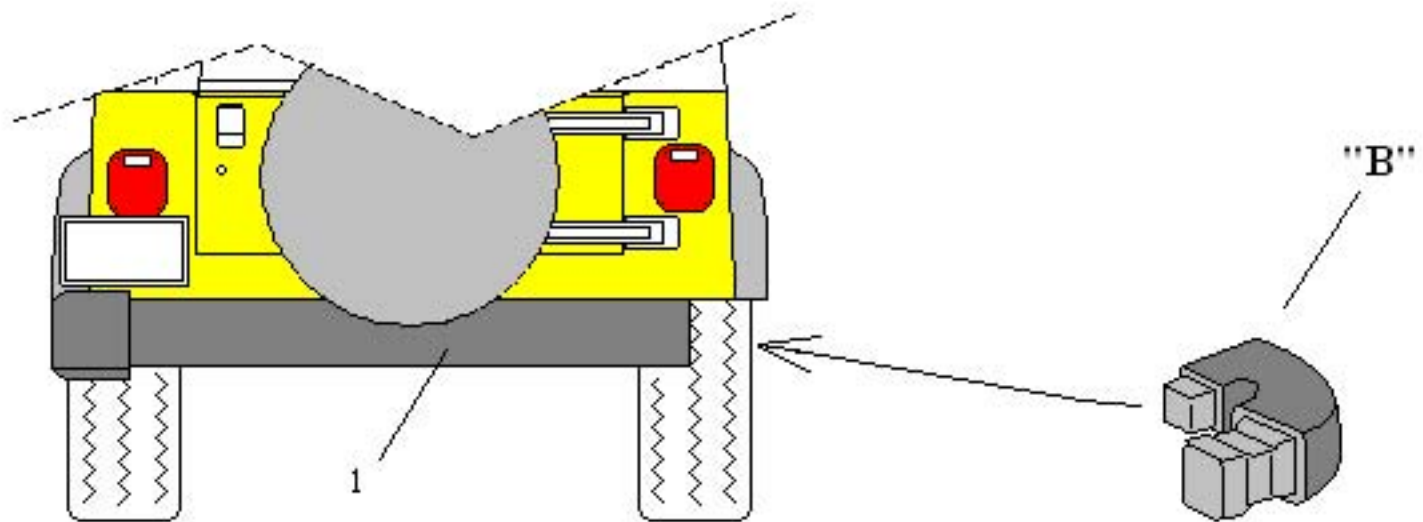


Fig. 8

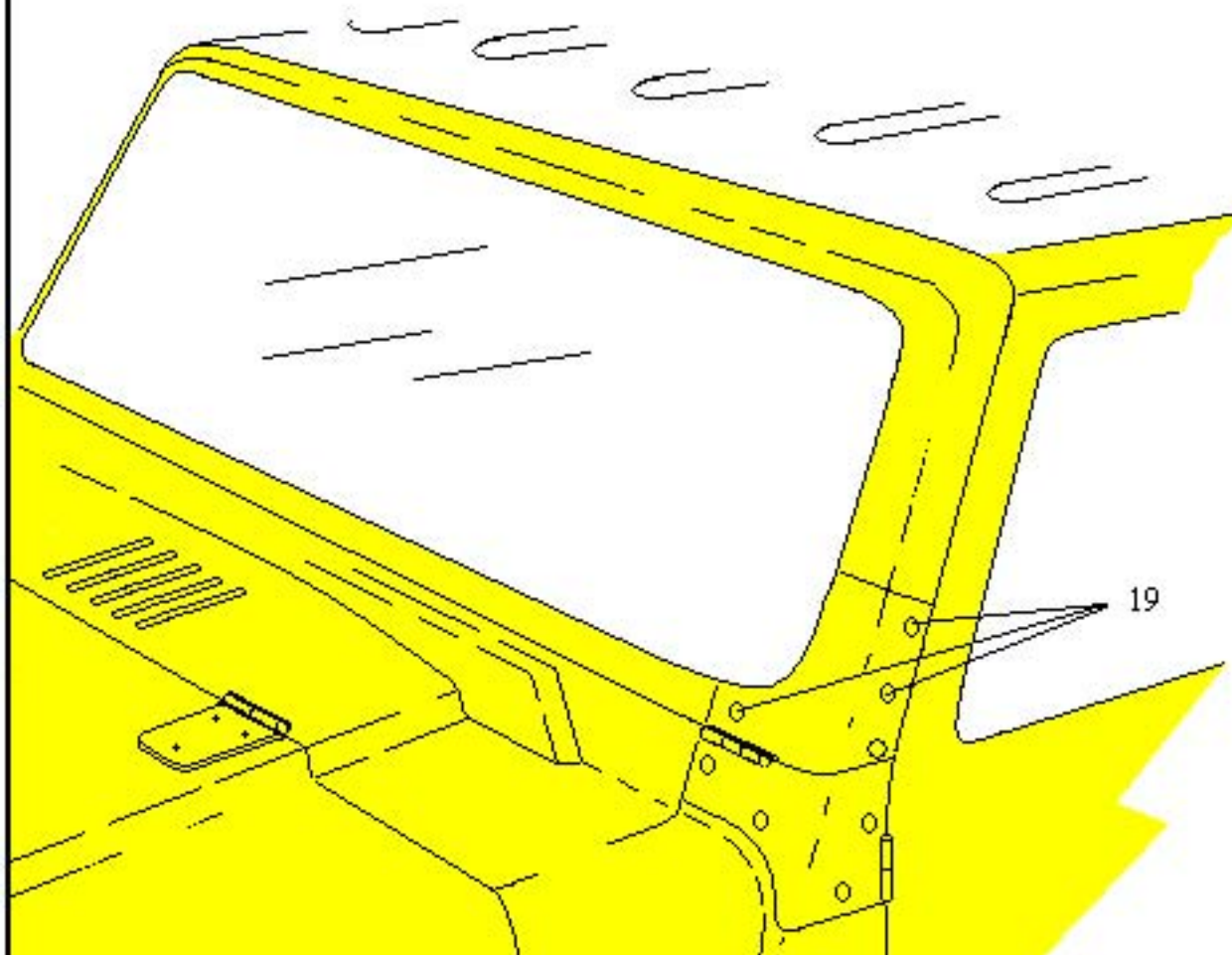
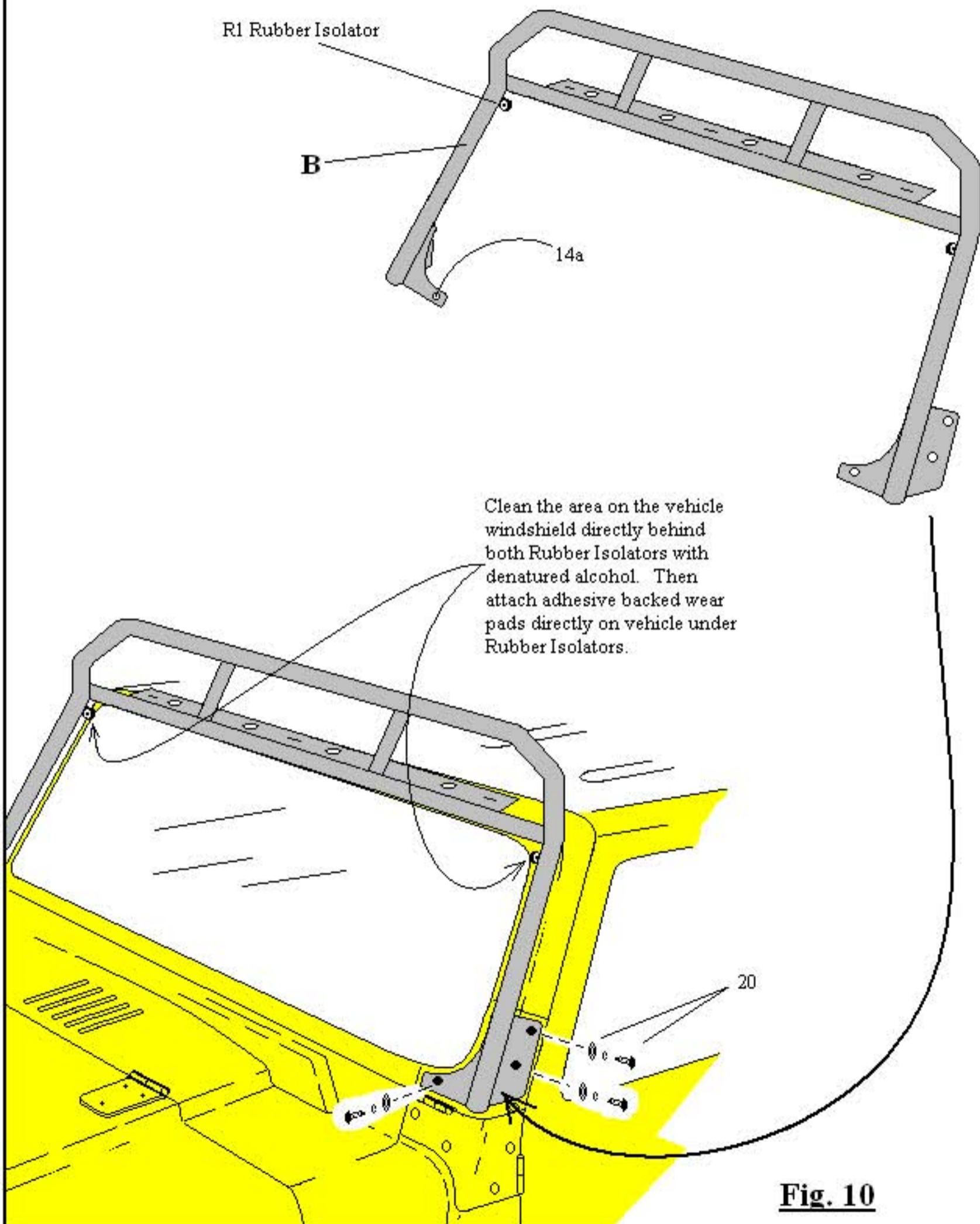


Fig. 9

GOBI JEEP TJ 2 DOOR ROOF RACK INSTALLATION INSTRUCTIONS



GOBI JEEP TJ 2 DOOR ROOF RACK INSTALLATION INSTRUCTIONS

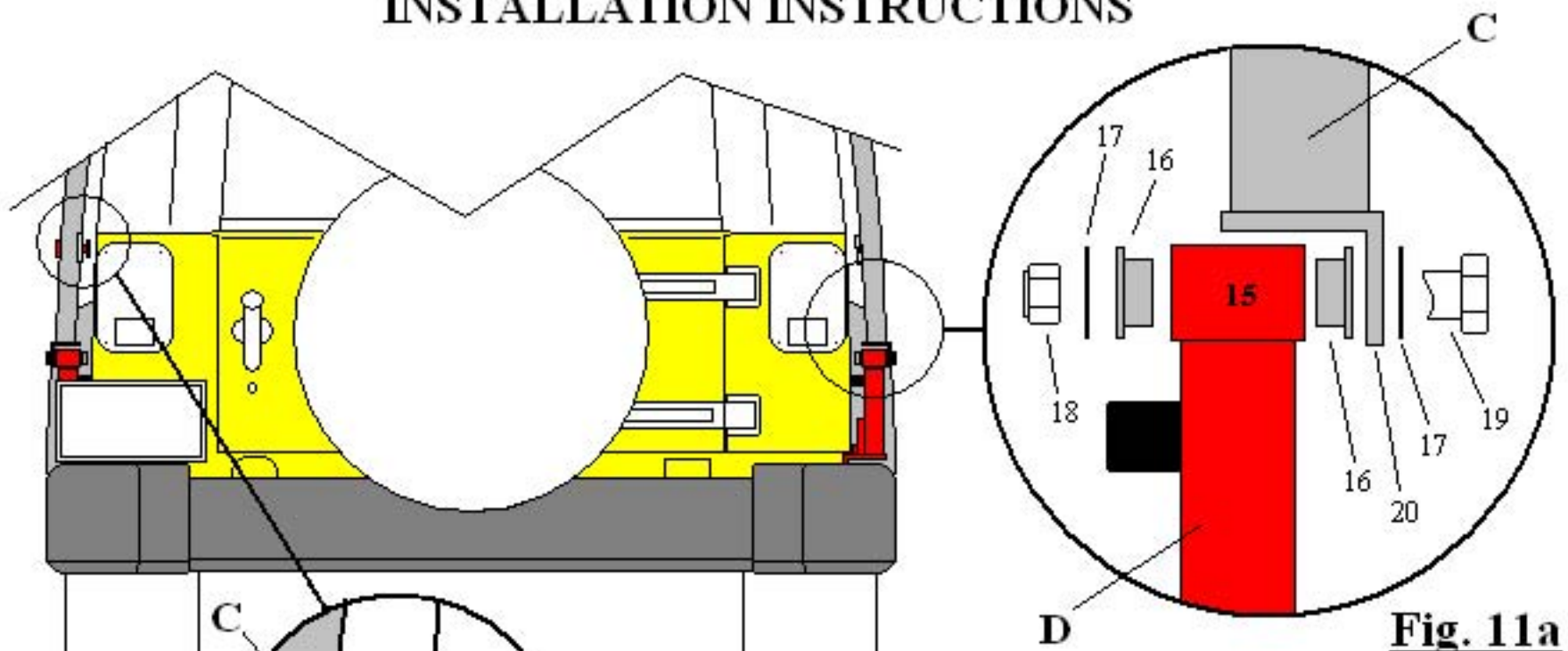
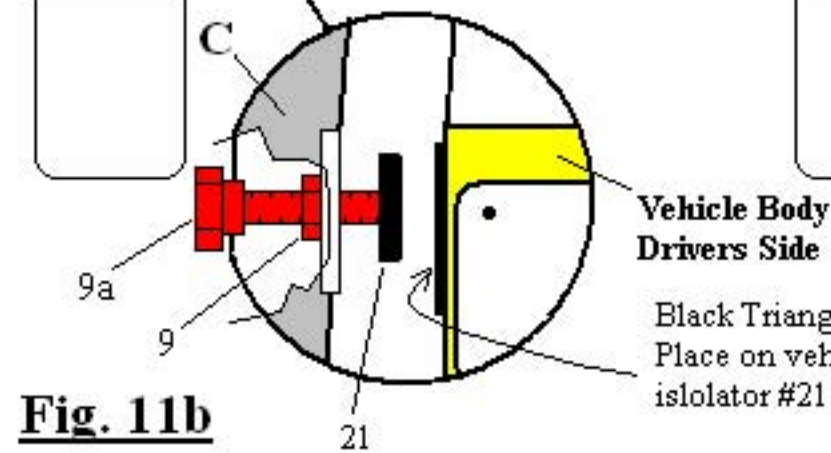


Fig. 11a



**Vehicle Body
Drivers Side**

Black Triangular adhesive backed wear plate.
Place on vehicle body under each Rubber
isolator #21 in line with body seam.

Fig. 11b

Rear Drivers Side
wear plate position

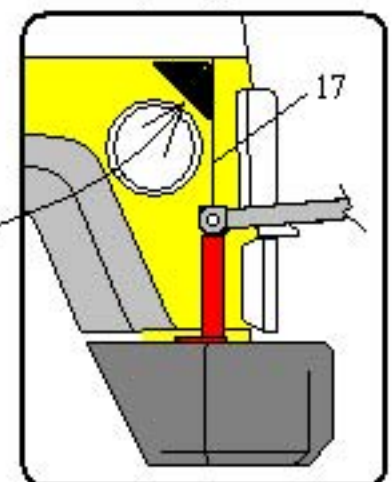


Fig. 12c

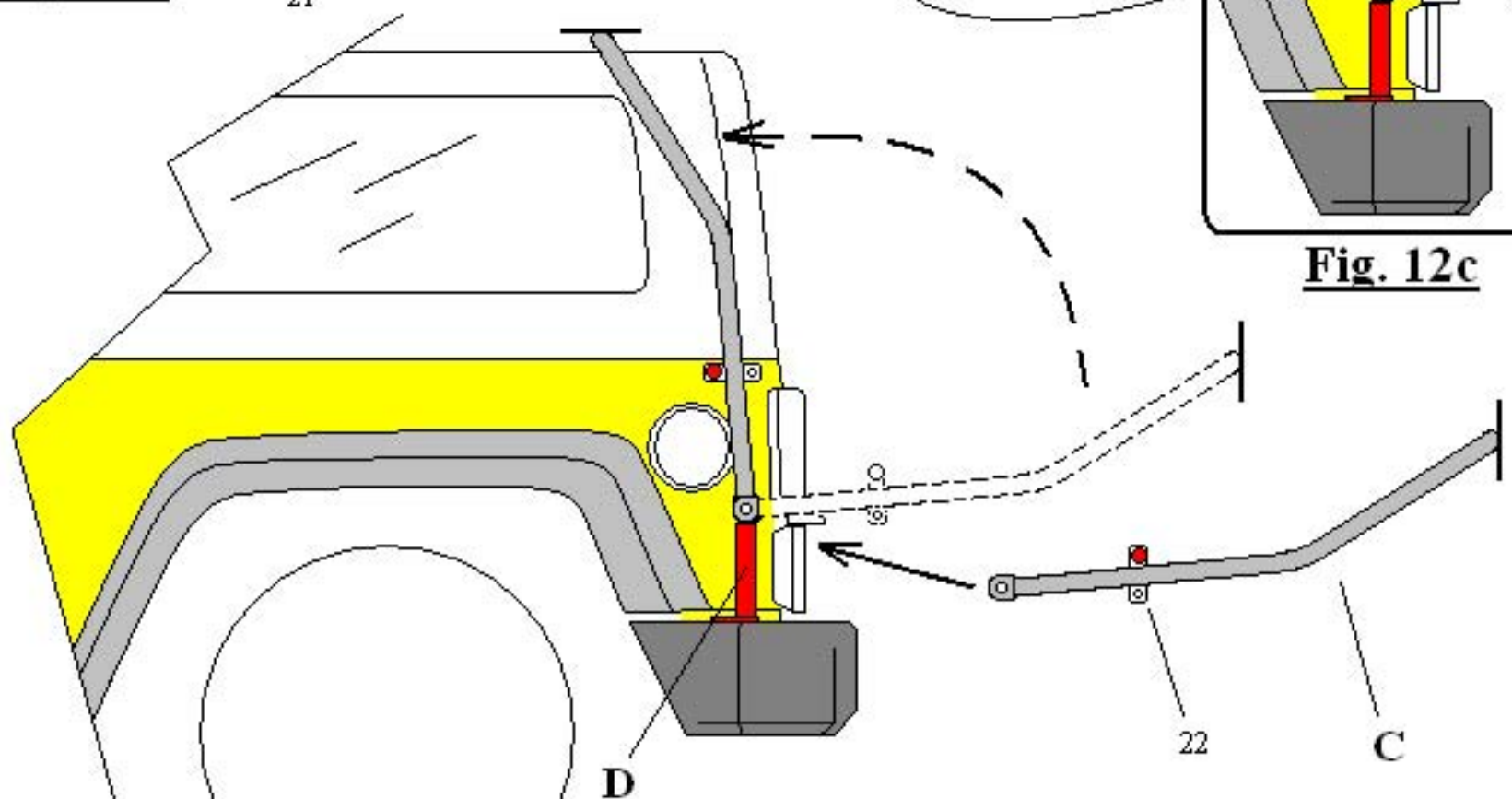
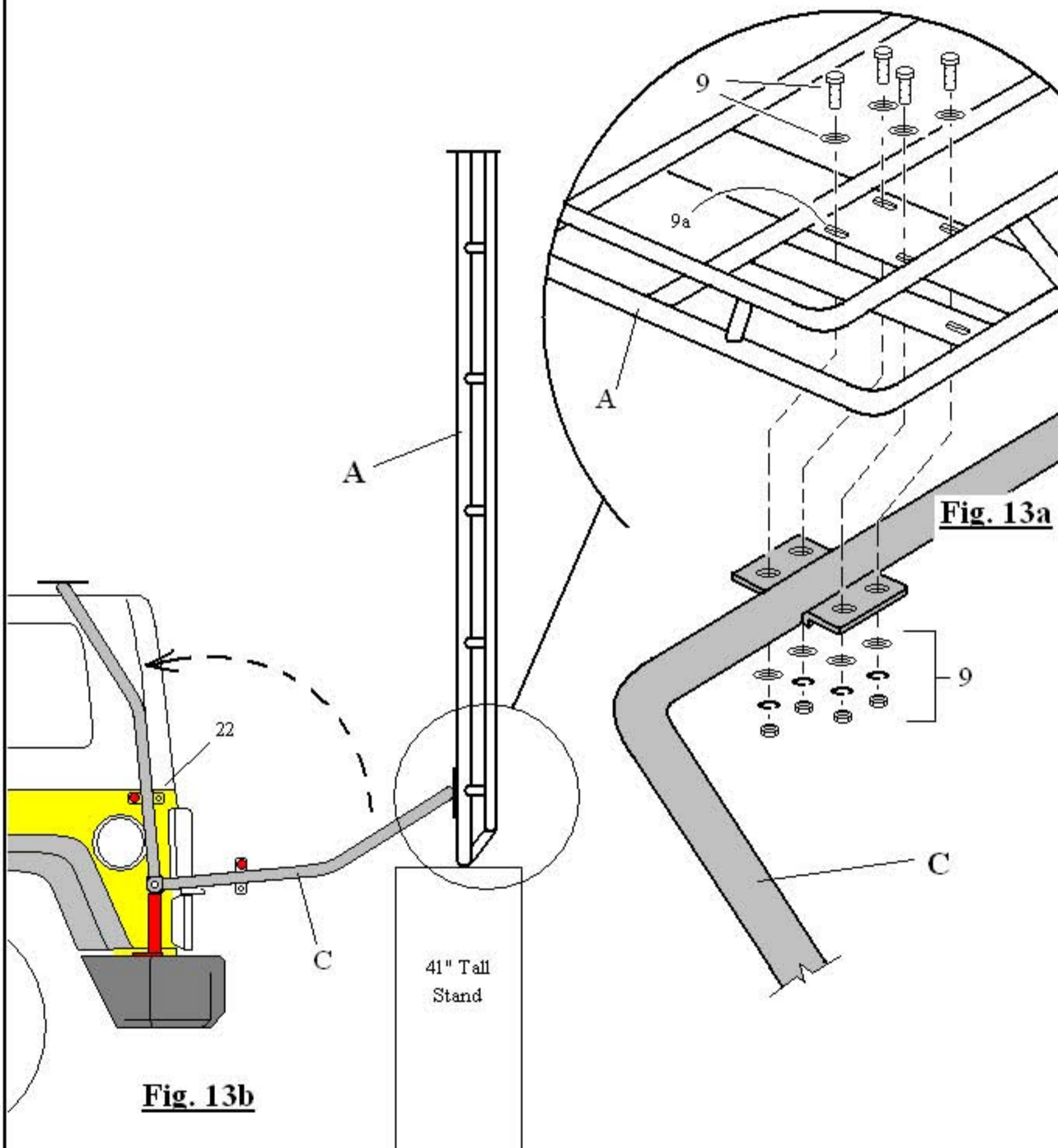


Fig. 12

**GOBI JEEP TJ 2 DOOR ROOF RACK
INSTALLATION INSTRUCTIONS****Fig. 13b****Fig. 13a**

GOBI JEEP TJ 2 DOOR ROOF RACK INSTALLATION INSTRUCTIONS

Pivot Roof Rack Down and
Position Behind Front Light Bar

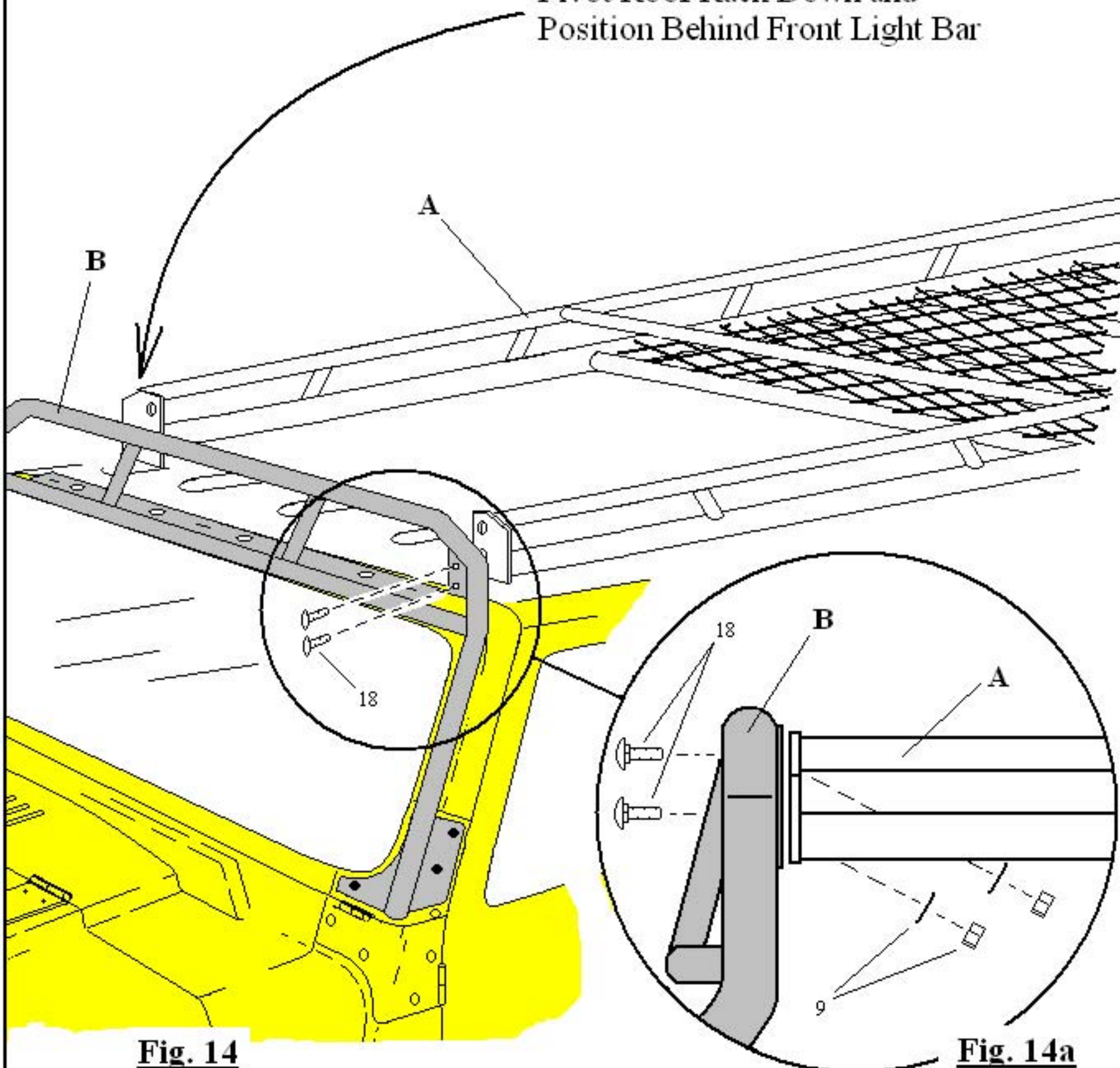


Fig. 14

Fig. 14a

GOBI JEEP TJ 2 DOOR ROOF RACK INSTALLATION INSTRUCTIONS

The rack must be inspected before each use to make certain attachments are secure, and for evidence of Wear. Misuse of the rack or failure to observe the manufacturer's instructions as to installation, proper Attachment and maintenance will void any warranties that may be implied by law.

INSTALLATION INSTRUCTIONS CONTINUED:

- 1- Refer to page 2 make sure all hardware is present prior to installation.
- 2- Read all directions carefully prior to installation.
- 3- Refer to page 3 Fig. 1 and remove both rear bumper plastic end caps "B" as shown.
- 4- Refer to page 3 Fig. 2 remove only the lower nut and washer (2) from the rear bumper (1) as shown. Then remove from your hardware kit one clamp plate (3) and two 4" long stainless steel carriage bolts(5). Thread the 4" long carriage bolts(5) through clamp plate (3) then slide them as a unit behind the passenger side rear body frame (7) as shown in Fig 2 page 3. Keep the clamp plate assembly on the left side or rear of the exhaust tail pipe support hook (8).
- 5- Refer to page 3 Fig. 3 and remove from your hardware kit "Passenger Side" Frame Extension (4). Slide Frame Extension (4) onto exposed rear bumper bolt (2) then slip Frame Extension over both 4" carriage bolts. Thread nut and washer recently removed from bolt (2) of rear bumper (1) back in place over Frame Extension (4) then continue by threading a 3/8" hard washer and 3/8" Nylok nut onto the two 4" carriage bolts holding the Frame Extension(4) in place. Snug down only at this time. Refer back to Fig 2 and tighten nut(2) of rear bumper (1) then continue to Fig. 3 and tighten both nuts and washers(6).
- 6- Refer to page 4 Fig. 4 and Fig 5 loosen nut (2) on bumper (1) as shown in Fig. 5 then adjust the Frame Extension plate (4) either closer or further from the vehicle frame (7) so that an approximate 2-5/8" spacing is provided between the Frame (7) of the vehicle and the Frame Extension plate (4) along points "A" to "B" as shown in Fig 5. As illustrated on Fig. 4 bumper (1) and components have been deleted from image for clarity. Once the measurement has been confirmed completely tighten nut(2).
- 7- Refer to page 5 Fig. 6 remove Passenger Side Tower "D" from your hardware kit then remove the aluminum pinch plate (10) from the Passenger Side Tower clamp portion (5) as shown on Fig (6a). As indicated on page 5 Fig 6a (exploded cut away view) remove any debris such as mud or the like from underside of the vehicle which may inhibit the installation procedure. Most especially from inner flange (16), you may have to lift the underside protective panel for cleaning. Once cleaned place pinch plate (10) onto inner body flange (16) with the slot end of the pinch plate surrounding flange (16) as shown. Make sure that pinch plate (10) sets flat against inner body sheet metal wall (16a) and surrounds flange (16) while seated directly onto lower ledge (16c) as shown in Fig. 6a.
- 8- Refer to page 6 Fig. 7 clean entire body seam (17) from top to bottom with denatured alcohol prior to install both the rear side panels of the vehicle.
- 9- Refer to page 5 Fig. 6 and remove a 1 1/4" Stainless Steel carriage bolt from Bag #2 of your hardware kit and place into square hole in passenger side Tower "D" as shown. Continue to refer to both Fig. 6 and Fig. 6a and page 6 Fig 7 while holding pinch plate (10) in position place the Passenger Side Tower "D" clamp portion (5) over the outer vehicle body and pinch plate (10) as shown in Fig 6a and page 6 Fig. 7. Push Tower "D" up against lower body (16c) as much as possible while aligning support flange (12) and collar (15) of Tower "D" to outer body seam (17) shown on page 7 Fig 7. Once alignment is complete and clamp (5) is fully pushed up against lower body (16c) snug down the two clamp 3/8" hex cap screws, lock washers and flat washers (11) using a 9/16" socket or box end wrench as shown on page 5 Fig. 6a. Do not fully tighten at this time.
- 10- Refer to page 2 Section "H" of your hardware kit and remove one 1" round Black adhesive backed wear plate located in Bag 3.

GOBI JEEP TJ 2 DOOR ROOF RACK INSTALLATION INSTRUCTIONS

The rack must be inspected before each use to make certain attachments are secure, and for evidence of Wear. Misuse of the rack or failure to observe the manufacturer's instructions as to installation, proper Attachment and maintenance will void any warranties that may be implied by law.

INSTALLATION INSTRUCTIONS CONTINUED:

- 11- Refer to page 5 Fig. 6 a and page 6 Fig. 7 peel off the self adhesive protective film and place the 1" round wear plate on seam (17) of the vehicle body directly behind black nylon standoff (14) of support Tower "D". You will have to tilt Tower "D" slightly away from the vehicle body at the same time you apply the Black wear plate. Be sure not to move Tower "D" out of previously aligned position during this procedure. After the wear plate has been installed check that Tower "D" alignment has not been moved. **FIRMLY** and completely tighten the two clamp 3/8" Hex cap screws, lock washers and flat washers (11) of Tower "D" using a 9/16" socket or Box end wrench. Follow the same procedure when installing the Drivers side Support Tower "D".
- 12- Refer to page 6 Fig. 7 a and 7 b then remove the "passenger side" Support Plate "E" indicated by a stamp or sticker placed on the Support Plate located in your hardware kit. Attach passenger side Support Plate "E" to the underside of passenger side Support Tower "D" as shown in Fig. (7b) page 6. Using the 3/8" yellow zinc flat washers and yellow zinc Nylok nuts supplied in Bag #2 of your hardware kit referred to as (9) on Fig. 7b, finger tighten only at this time. Continue by installing two 1" Stainless Steel carriage bolts (18) located in Bag #2 of your hardware kit through Support Plate "E" then through Frame Extension (4) as shown in Fig. 7b. Follow by threading two 3/8" yellow zinc flat washers and nuts (9) to the inside of Frame Extension (4) to carriage bolts (18) holding Support Plate "E" to Frame Extension (4) finger tighten only at this time. Align Support Plate "E" as shown in Fig. 7b to both the underside of Support Tower "D" and Frame Extension (4) then first snug down 3/8" washer and nuts to underside of Support Tower "D" continue to snug down both carriage bolts (18) to Frame Extension (4) once both Support Tower "D" and Frame Extension (4) are resting against Support Plate "E" fully tighten washers and nuts (9) to Support Tower "D" then fully tighten washers and nuts (9) to Frame Extension (4).
- 13- Refer to page 7 Fig. 8 and reinstall both rear bumper plastic end caps "B" at this time.
- 14- Refer to page 7 Fig. 9 and remove 3 torx flat head screws (19) from each side of the windshield using the "T-40" Torx bit supplied in your hardware kit located in Bag #2. Use a 1/4" socket to hold the "T-40" Torx bit when removing the flat head Torx screws (19) from the windshield.
- 15- Refer to page 8 Fig. 10 remove 6- 5/16 x 1-1/4" Stainless Steel Button head Allen screws, 6- 5/16 yellow zinc hard washers and 6- 5/16 Stainless Steel lock washers from your hardware kit Bag #2. Using two persons first install the Driver's side of the Gobi light bar "B" to the windshield. Use three 5/16 x 1- 1/4" Stainless Steel Button head Allen screws, lock washers and yellow zinc hard washers and attach the Gobi light bar in place on the windshield. Snug down only Do not fully tighten at this time. Continue to the passenger side and pull the Gobi light bar "B" over the windshield until the support bracket screw holes (14a) line up with the windshield screw holes. Thread the remaining three 5/16 x 1-1/4" Stainless Steel Button head Allen screws, lock washers and yellow zinc hard washers in place, snug down only Do not fully tighten at this time. Remove from Bag #3 two 1" round brown adhesive backed wear pads. Tilt Light Bar "B" away from windshield and clean an area approximately 2" round directly under both rubber isolators "R1" as shown in Fig. 10 page 8 with denatured alcohol then peel off the protective film from the 1" round wear pads and attach them directly to windshield under each black rubber isolator. Continue by pressing Light Bar "B" towards windshield and fully tightening both the Passenger and Drivers side screws (20).

GOBI JEEP TJ 2 DOOR ROOF RACK INSTALLATION INSTRUCTIONS

The rack must be inspected before each use to make certain attachments are secure, and for evidence of Wear. Misuse of the rack or failure to observe the manufacturer's instructions as to installation, proper Attachment and maintenance will void any warranties that may be implied by law.

INSTALLATION INSTRUCTIONS CONTINUED:

- 16- Refer to page 9 Fig. 11a and remove 4- Black Nylon shoulder washers (16) , 4 ½" yellow zinc flat washers grade 8 (17) , 2- ½" x 2-1/2" Hex Head bolts Stainless Steel (19) and 2- ½" Hex Nylok Nuts Stainless Steel (18) from Bag #2 of your hardware kit. Refer to Fig. 12 using two persons attach the rear roof rack support bar "C" in the direction as shown in Fig. 12 page 9 to the Support Towers "D". While the rear roof rack Support bar is horizontal as shown in Fig. 12 thread in place one side at a time ½" bolt (19) through ½" grade 8 hard washer (17) through Support Bar flange (20) then through Black Nylon shoulder washers (16) and Support Tower collar (15) then through the second Black Nylon Shoulder washer (16) through second ½" Grade 8 Hard washer (17) and finally thread into Nylok Nut (18) finger tighten only at this time. Apply the same procedure to the opposite side of support bar "C". After all bolts have been installed and finger tightened pivot the roof rack Support Bar "C" up and lay over the vehicle roof top. If a hard top is present place a rag or towel between the Support Bar "C" and roof top to prevent marring of the paint. While the support bar is upright tighten both the passenger and drivers side ½" bolts (19) and nuts (18) securely DO NOT OVER TIGHTEN.
- 17- Refer to page 10 Fig. 13b and locate a 41" tall stand or the like, use the support platform to rest the Gobi roof rack "A" onto. Gather all attachment hardware Fig. 13a (9) 8- 3/8" x 1" Stainless Steel Hex bolts, 16- 3/8" yellow zinc hard flat washers and 8- 3/8" grade 8 yellow zinc Nylok nuts located in Bag #2 supplied with your hardware kit. Using two persons rest the rear of the Gobi roof rack standing upright on the 41" tall table support as shown in Fig. 13b. While the Gobi roof rack is positioned upright lower the Gobi roof rack rear Support Bar "C" down next to the Gobi roof rack "A". Place bolts and washers through Gobi roof rack "A" then through Gobi roof rack Support Bar "C" and attach remaining washers and nuts as shown in Fig. 13a. After all hardware is in place do not fully tighten, lift the Gobi Support Bar "C" up to the top of the Roof rack bolt slots (9a) both sides as shown in Fig. 13a then fully tighten all bolts and nuts securely.
- 18- Refer to page 11 Fig. 14 using two persons pivot the Gobi roof rack "A" up over the vehicle roof top and butt against the rear side of the Gobi light bar "B" as shown in Fig. 14 and Fig. 14a. Use the four 3/8 -16 x 1" Stainless Steel carriage bolts (18) located in Bag #2 of your hardware kit and thread through Gobi light Bar "B" then through Gobi roof rack "A" and attach using hardware (9) Fig. 14a 3/8" yellow zinc hard washers and Nuts finger tighten only at this time. Apply the same procedure to the opposite side then fully tighten and secure the Gobi roof rack to the Gobi light Bar "B".

GOBI JEEP TJ 2 DOOR ROOF RACK INSTALLATION INSTRUCTIONS

The rack must be inspected before each use to make certain attachments are secure, and for evidence of Wear. Misuse of the rack or failure to observe the manufacturer's instructions as to installation, proper Attachment and maintenance will void any warranties that may be implied by law.

INSTALLATION INSTRUCTIONS CONTINUED:

- 19- Refer to page 9 Fig. 11b loosen jam nut (9) and turn rubber isolator knob (9a) counter clockwise to pull the rubber isolator (21) away from vehicle body. Remove from Bag#3 located in your hardware kit both black adhesive backed Triangular wear plates. As shown on page 9 Fig. 11b and Fig. 12c peel off the protective film from the back of the Black Triangular wear plate and place on the driver's side vehicle body just behind rubber isolator (21) as shown in Fig. 12c so that the Wear plate aligns with the vertical body seam (17) of the vehicle. Apply the same procedure to the opposite side. Once both Black Triangular wear plates are in place tighten rubber isolators (21). At the same time the isolators are tightened against the wear plates pull out on the Support Bar "C" so that a fair amount of pressure is exerted against the wear plate. Apply the same procedure to the opposite side this will prevent excessive sway of the roof racks rear section. Installation is now complete.

- 20- Should the Gobi roof rack need to be retracted for vehicle roof top extraction be sure to loosen both jam nuts (9) and fully unscrew both rubber isolators (21) to clear the vehicle side body and prevent damage to the rubber isolators. When extraction of roof top is completed retighten rubber isolators in place.