

GOBI JEEP JK WRANGLER RECON ROOF RACK INSTALLATION INSTRUCTIONS

The rack must be inspected before each use to make certain attachments are secure, and for evidence of Wear. Misuse of the rack or failure to observe the manufacturer's instructions as to installation, proper Attachment and maintenance will void any warranties that may be implied by law.

TOOLS REQUIRED FOR INSTALLATION:

- 1- 16mm socket or 16mm box end (rear bumper)**
- 1- 9/16 socket and 9/16 box end wrench**
- 1- 13mm socket with extension (light bar)**
- 1- 3/4 socket and 3/4 box end or adjustable wrench**
- 1- 1/2" open end wrench**
- 1- Torx bit T-40**

GOBI JEEP JK WRANGLER RECON ROOF RACK INSTALLATION INSTRUCTIONS

Guidelines:

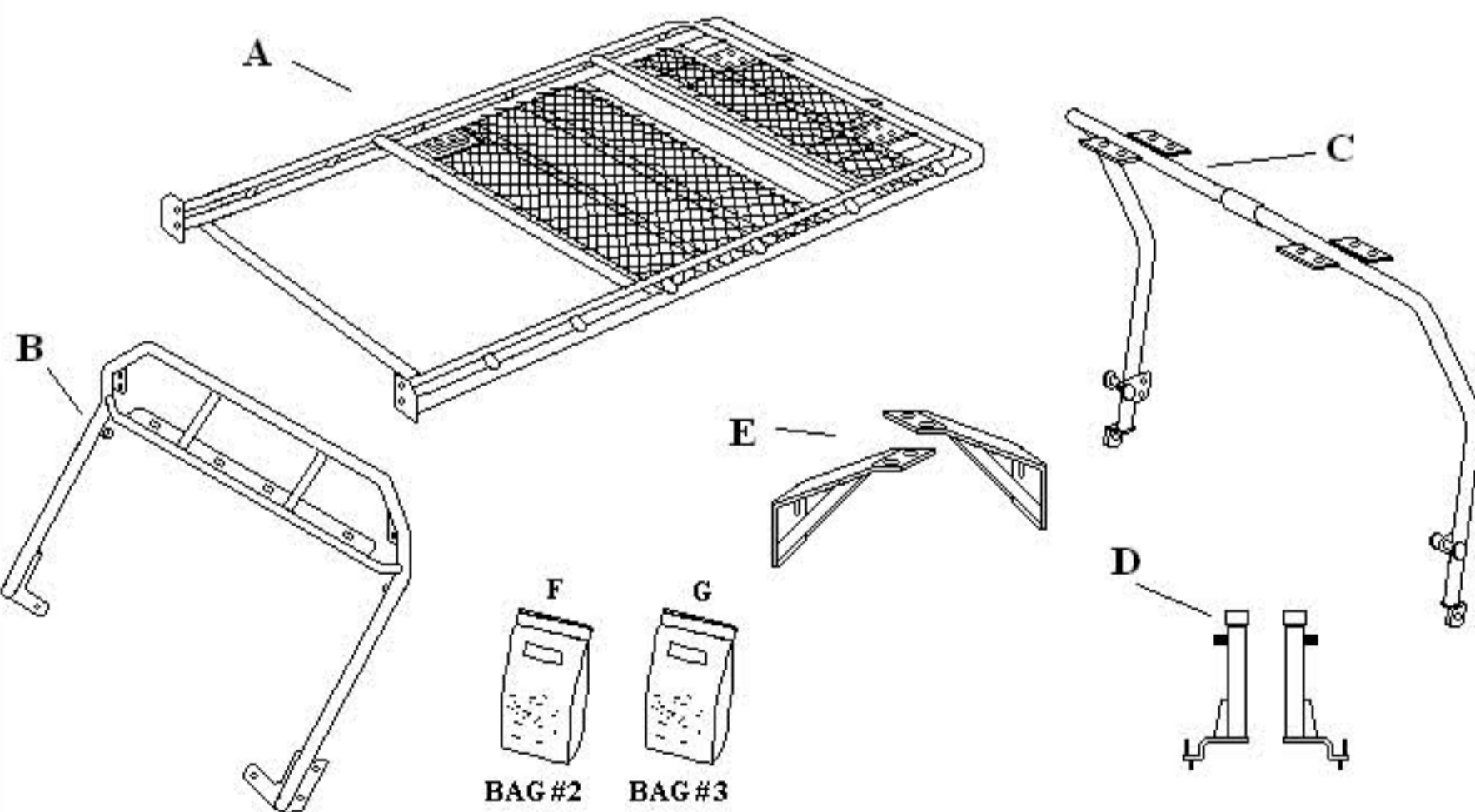
When using Load Carriers and Accessories, the user must understand the precautions. The points listed below will assist you in using the rack /carrier system and will encourage safety.

- For quality fits and safety, use only the recommended rack or accessory. Do not assume an accessory will fit, always check with dealer when obtaining new accessories. Use only approved accessories on load carriers. Using other brands will void your warranty.
- Make sure all knobs, bolts, screws, straps, and locks are firmly attached, tightened and locked before every trip. Knobs, bolts, screws, straps, and locks must be periodically inspected for signs of wear, corrosion, and fatigue. Check your load at stops during the trip to insure continued fastening security.
- Check local and state laws governing projection of objects beyond the width of a vehicle. **Be aware of the width and height of your cargo since low clearance branches, bridges, and parking garages can affect the load** All cargo will affect the vehicle's driving behavior. Never drive with any lock, knob, or rack in an open or unlocked position. All long loads such as, but not limited to sailboards, surfboards, kayaks, canoes, and lumber must be tied down front and rear to the bumpers or tow hooks, of the vehicle.
- Remove your rack accessories when they are not in use, before entering car washes, prior to taking in your vehicle for service, and whenever clearance may be an issue.
- All locks must be turned and moved periodically to insure smooth operation. Use graphite or similar dry lubricant to help this. Locks are designed to deter vandalism and theft. Remove valuable gear if your vehicle is unattended for an extended period. Place at least one key in the glove compartment.
- For safety to your vehicle and rack system, obey all posted speed limits and traffic cautions. Adapt your speed to the conditions of the road and the load being carried.
- Do not use load carriers and accessories for purposes other than those for which they were designed. Do not exceed their carrying capacity.
- Consult with your dealer if you have any questions regarding the operations and limits of this product. Review all instructions carefully.

GOBI JEEP JK WRANGLER RECON ROOF RACK INSTALLATION INSTRUCTIONS

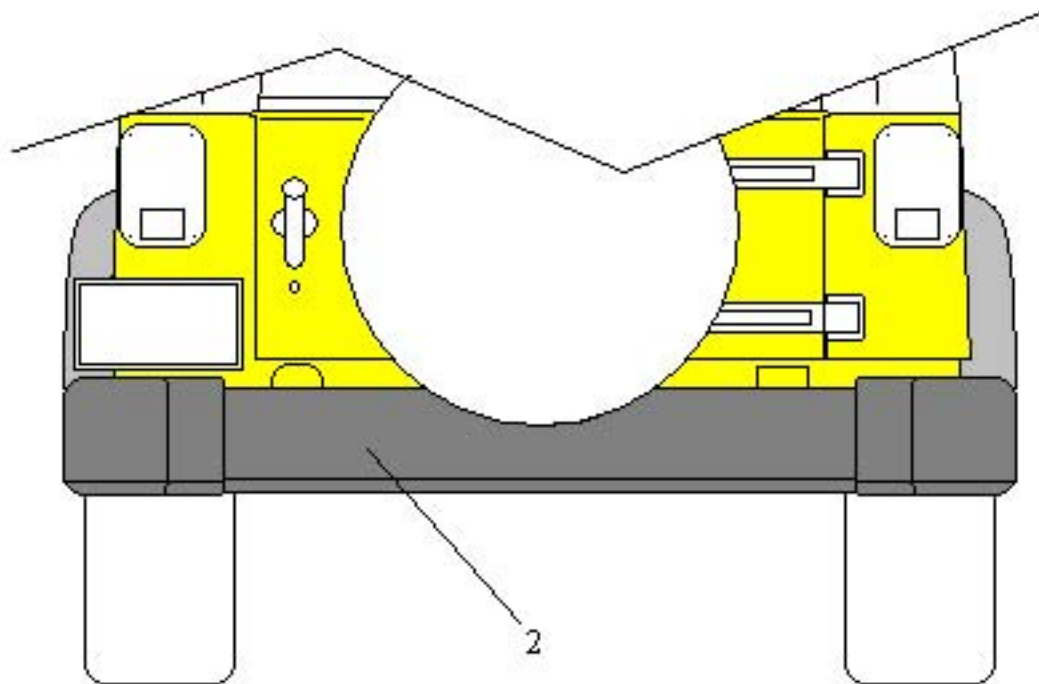
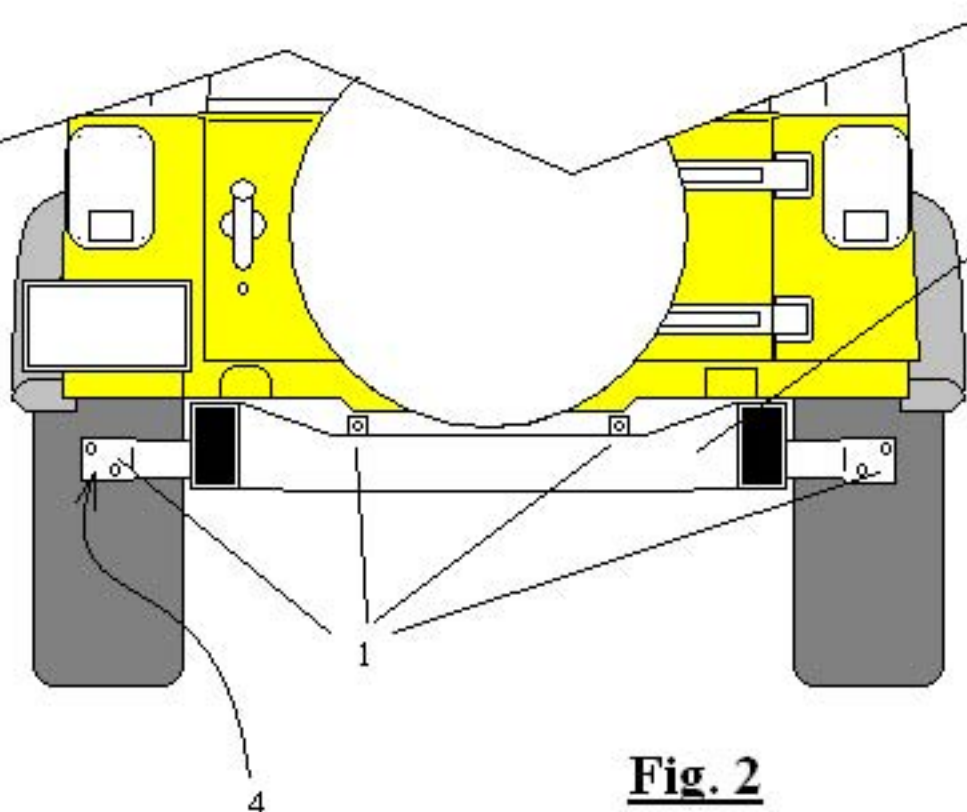
Included in kit

Letter	Description	Location	Quantity													
A	GOBI 08 JK JEEP WRANGLER ROOF RACK	Main box	1													
B	GOBI 08 JK JEEP RECON FRONT LIGHT BAR	Strapped to Rack	1													
C	REAR ROOF RACK SUPPORT BAR	Strapped to Rack	1													
D	Rear Rack Support Towers Passenger and Drivers Side	Hardware Box	1 ea.													
E	Rear Tower Support Plate Passenger and Driver's Side	Hardware Box	1 ea.													
F	<p style="text-align: center;">GOBI RACK MOUNTING HARDWARE</p> <p><u>CONTENTS:</u></p> <table style="width: 100%; border: none;"> <tr> <td style="width: 50%;">4 Nylon Shoulder washers</td> <td style="width: 50%;">8- 3/8-16 x 1" Hex Head Bolts SS</td> </tr> <tr> <td>4 1/2" Flat Washers SS</td> <td>24- 3/8" Flat washers Grade 8 yellow zinc</td> </tr> <tr> <td>2- 1/2" x 2-1/2" Hex Head Bolts SS</td> <td>16- 3/8" Nuts Grade 8 nylock yellow zinc</td> </tr> <tr> <td>2- 1/2" Hex Nuts SS</td> <td>4- 3/8x 1" Carrage Bolt SS</td> </tr> <tr> <td></td> <td>1- Packet Anti-Seize Lubricant</td> </tr> </table> <p>Located in Separate Bag inside Bag #2</p> <table style="margin-left: 20px; border-left: 1px solid black; border-right: 1px solid black; border: none;"> <tr> <td style="border: none;">6- M8 x 30 Stainless Steel hex bolt</td> </tr> <tr> <td style="border: none;">6- M8 Stainless Steel flat washer</td> </tr> <tr> <td style="border: none;">6- M8 Stainless Steel lock washer</td> </tr> </table>	4 Nylon Shoulder washers	8- 3/8-16 x 1" Hex Head Bolts SS	4 1/2" Flat Washers SS	24- 3/8" Flat washers Grade 8 yellow zinc	2- 1/2" x 2-1/2" Hex Head Bolts SS	16- 3/8" Nuts Grade 8 nylock yellow zinc	2- 1/2" Hex Nuts SS	4- 3/8x 1" Carrage Bolt SS		1- Packet Anti-Seize Lubricant	6- M8 x 30 Stainless Steel hex bolt	6- M8 Stainless Steel flat washer	6- M8 Stainless Steel lock washer	BAG #2 Hardware Box	1
4 Nylon Shoulder washers	8- 3/8-16 x 1" Hex Head Bolts SS															
4 1/2" Flat Washers SS	24- 3/8" Flat washers Grade 8 yellow zinc															
2- 1/2" x 2-1/2" Hex Head Bolts SS	16- 3/8" Nuts Grade 8 nylock yellow zinc															
2- 1/2" Hex Nuts SS	4- 3/8x 1" Carrage Bolt SS															
	1- Packet Anti-Seize Lubricant															
6- M8 x 30 Stainless Steel hex bolt																
6- M8 Stainless Steel flat washer																
6- M8 Stainless Steel lock washer																
G	<p style="text-align: center;">GOBI RACK ISOLATOR HARDWARE</p> <p><u>CONTENTS:</u></p> <ul style="list-style-type: none"> 2- Black Triangular adhesive backed wear plates (Place on vehicle body under Rubber Isolators 21) 2- 1" Round Black Nylon adhesive backed wear plate (Place on vehicle body under Tower stand offs (13) 2- 1-1/4" Round Brown adhesive backed wear pads 	BAG #3 Hardware Box	1													

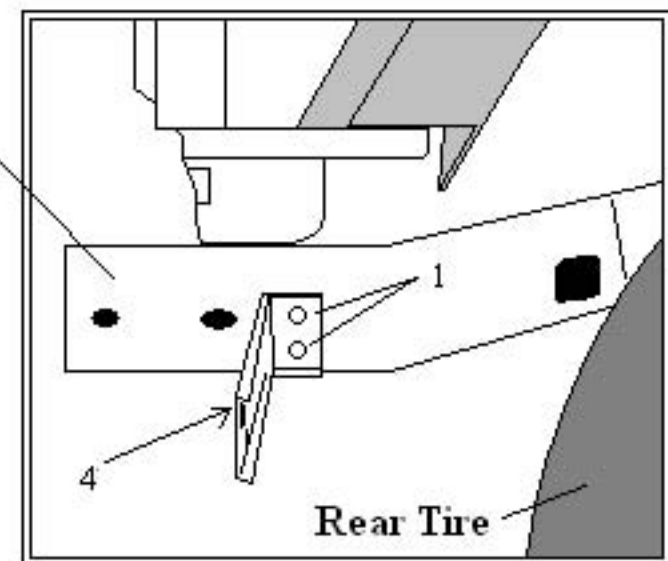


GOBI JEEP JK WRANGLER RECON ROOF RACK INSTALLATION INSTRUCTIONS

The rack must be inspected before each use to make certain attachments are secure, and for evidence of Wear. Misuse of the rack or failure to observe the manufacturer's instructions as to installation, proper Attachment and maintenance will void any warranties that may be implied by law.

**Fig. 1****Fig. 2**

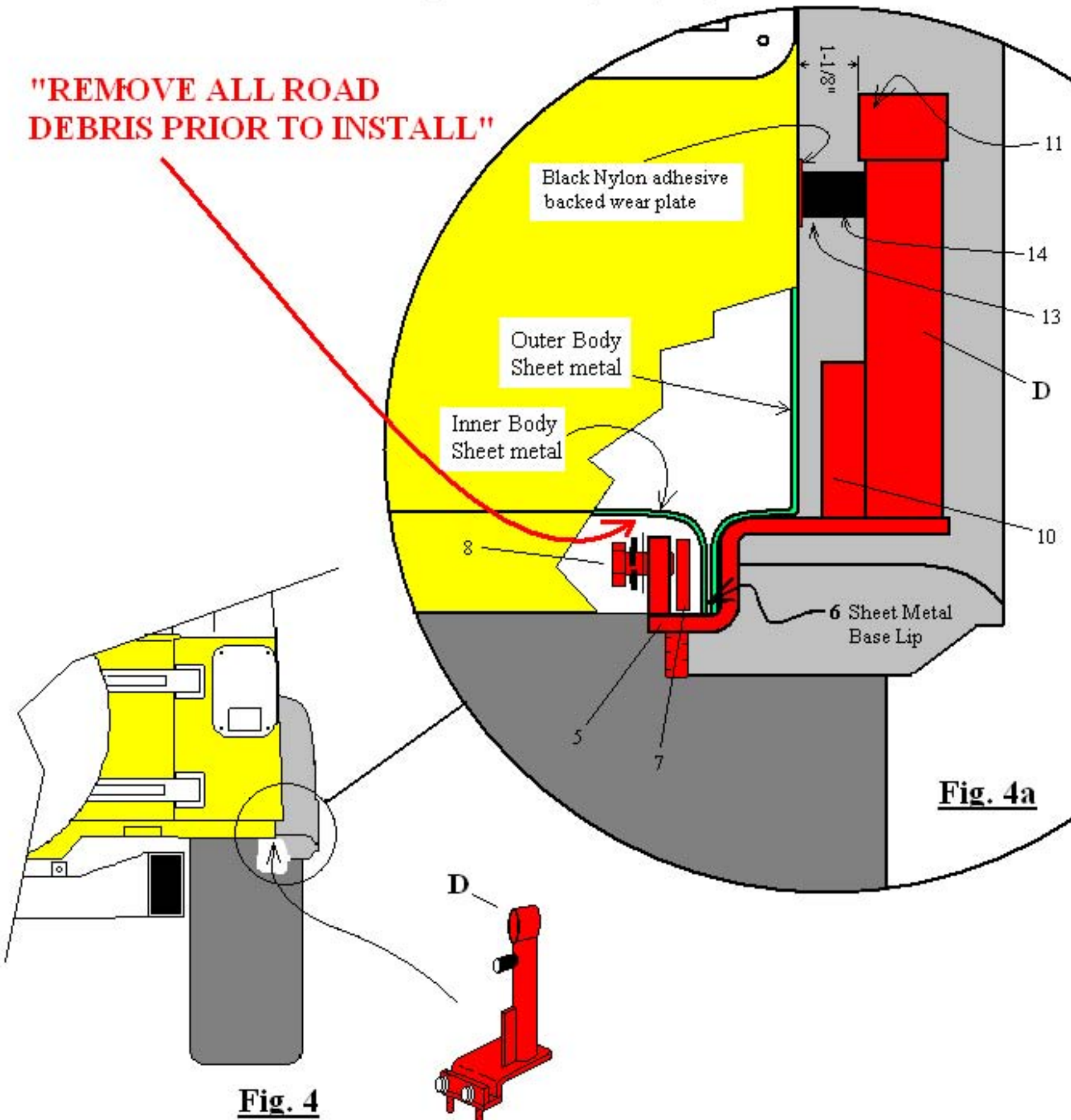
Rear Passenger Side View
without Bumper in place

**Fig. 3**

GOBI JEEP JK WRANGLER RECON ROOF RACK INSTALLATION INSTRUCTIONS

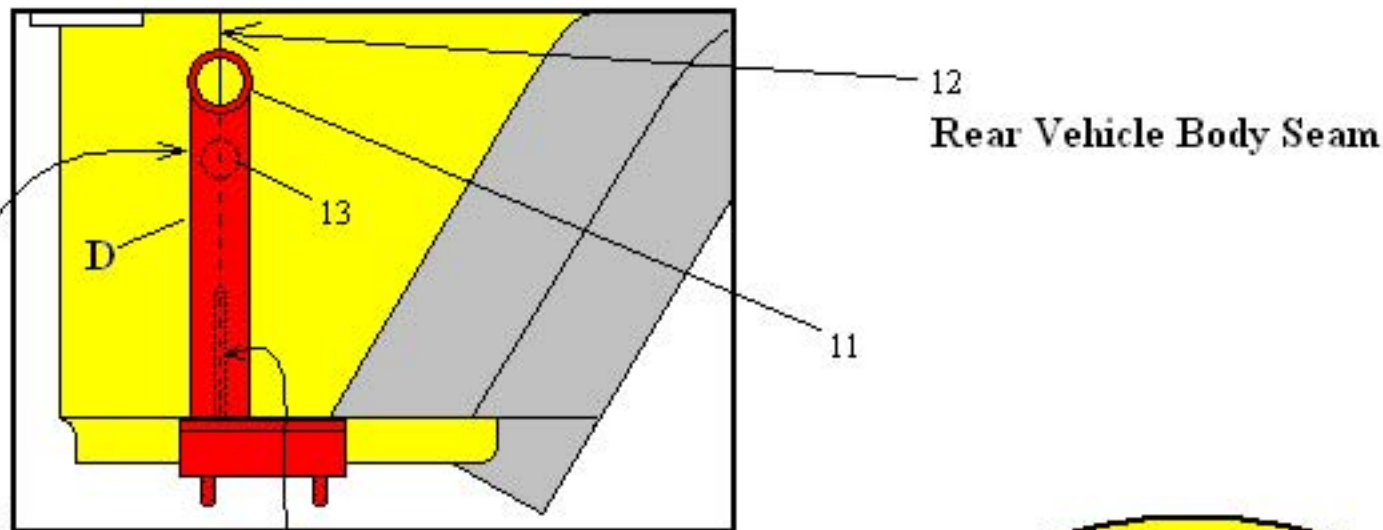
The rack must be inspected before each use to make certain attachments are secure, and for evidence of Wear. Misuse of the rack or failure to observe the manufacturer's instructions as to installation, proper Attachment and maintenance will void any warranties that may be implied by law.

**"REMOVE ALL ROAD
DEBRIS PRIOR TO INSTALL"**

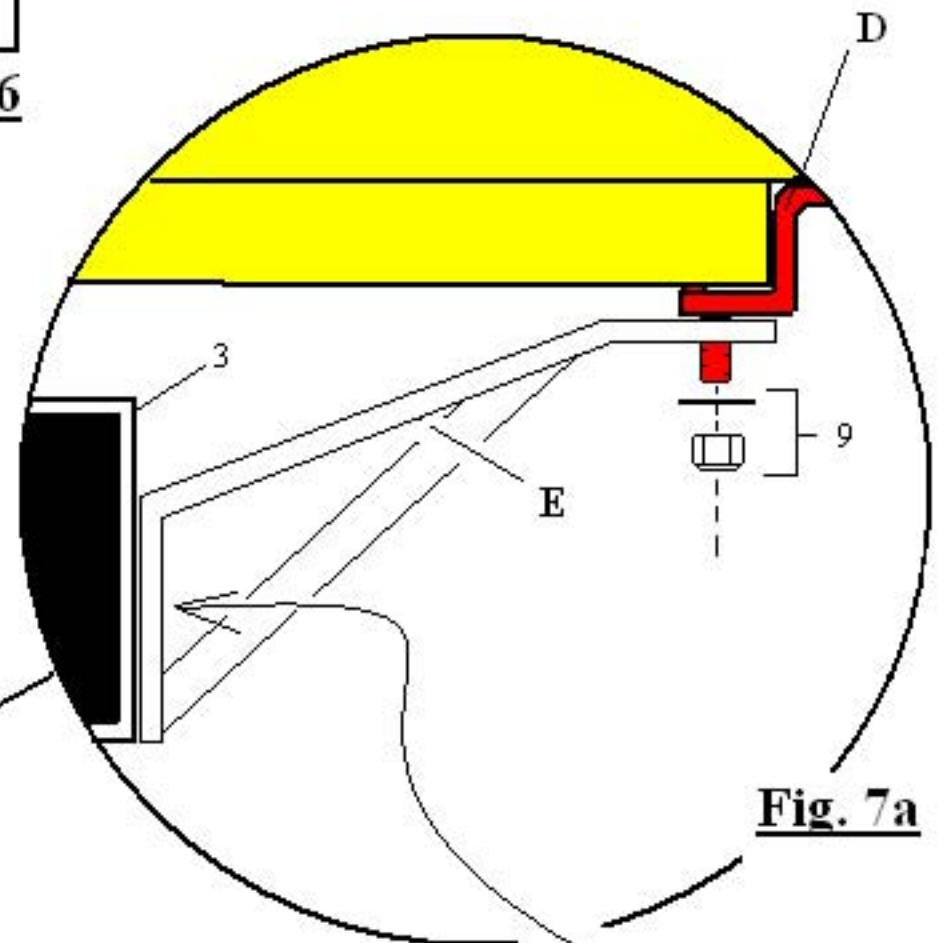
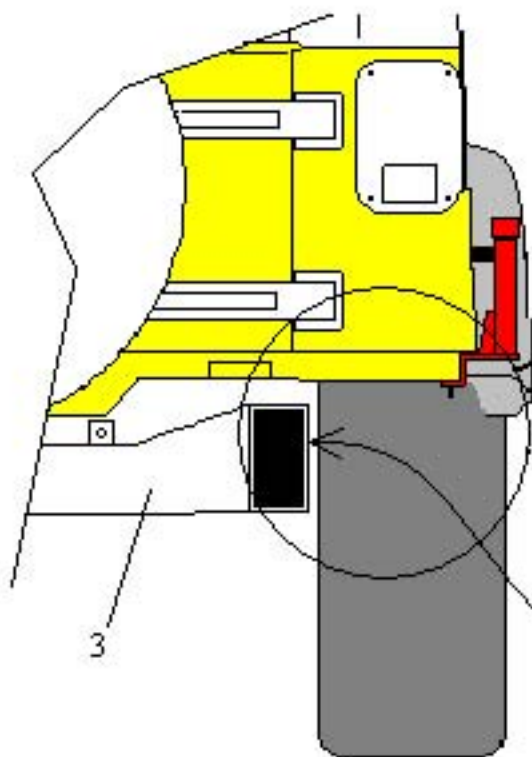
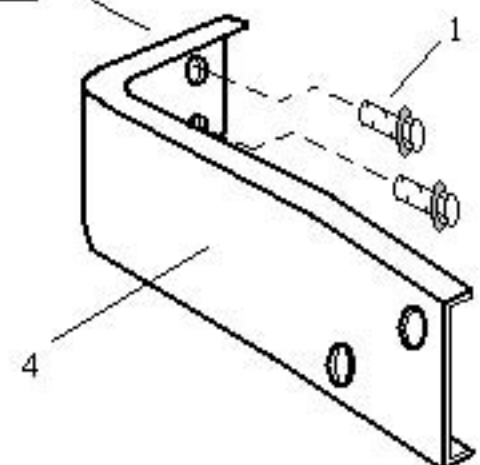
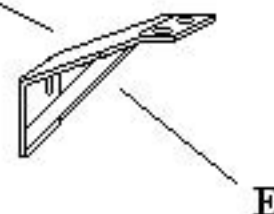


GOBI JEEP JK WRANGLER RECON ROOF RACK INSTALLATION INSTRUCTIONS

Rear Passenger Side view

**Fig. 6**

Place 1" round Black Nylon adhesive backed wear plate directly behind Black Nylon isolator 13 and directly on seam 12

**Fig. 7a****Fig. 7**

GOBI JEEP JK WRANGLER RECON ROOF RACK INSTALLATION INSTRUCTIONS

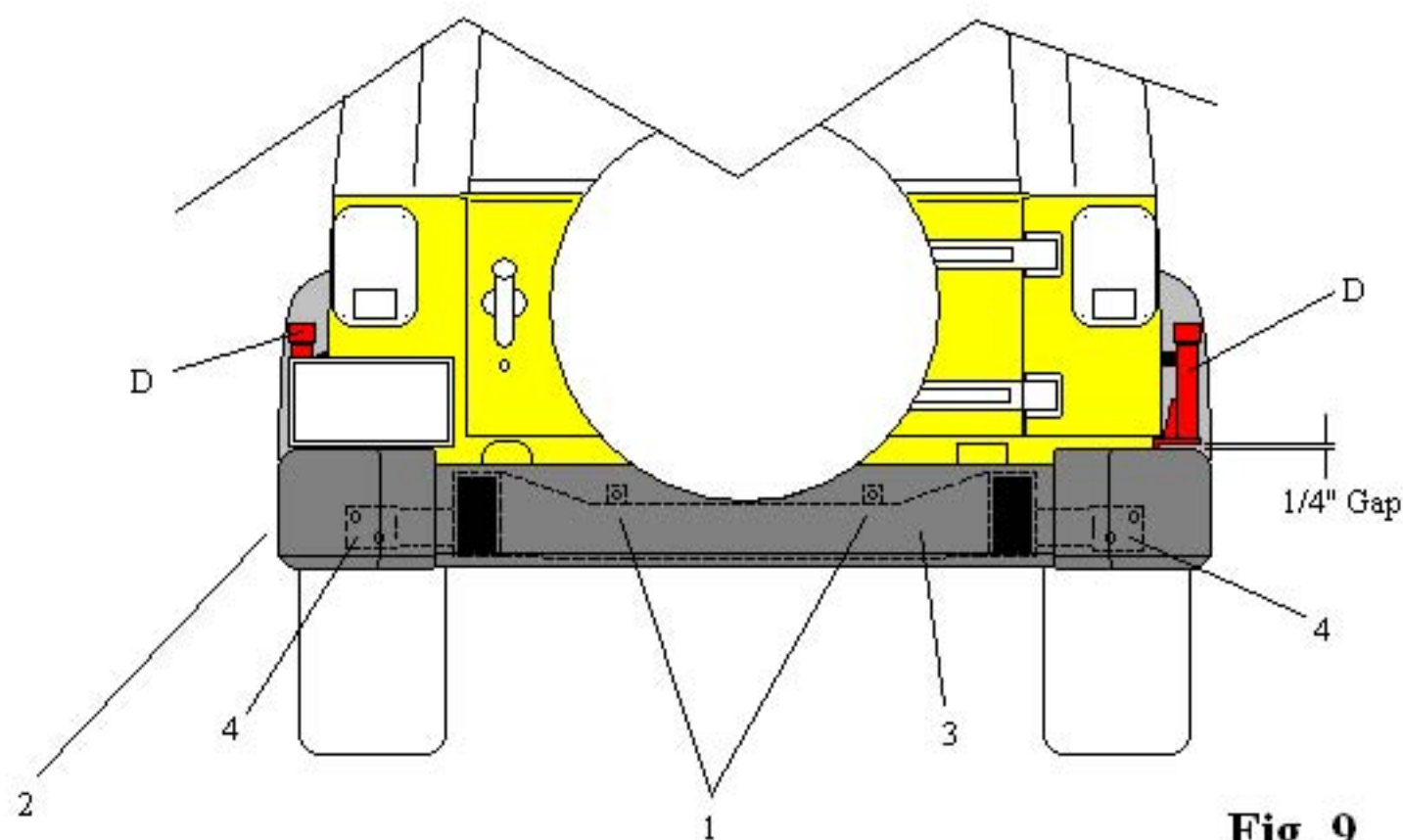


Fig. 9

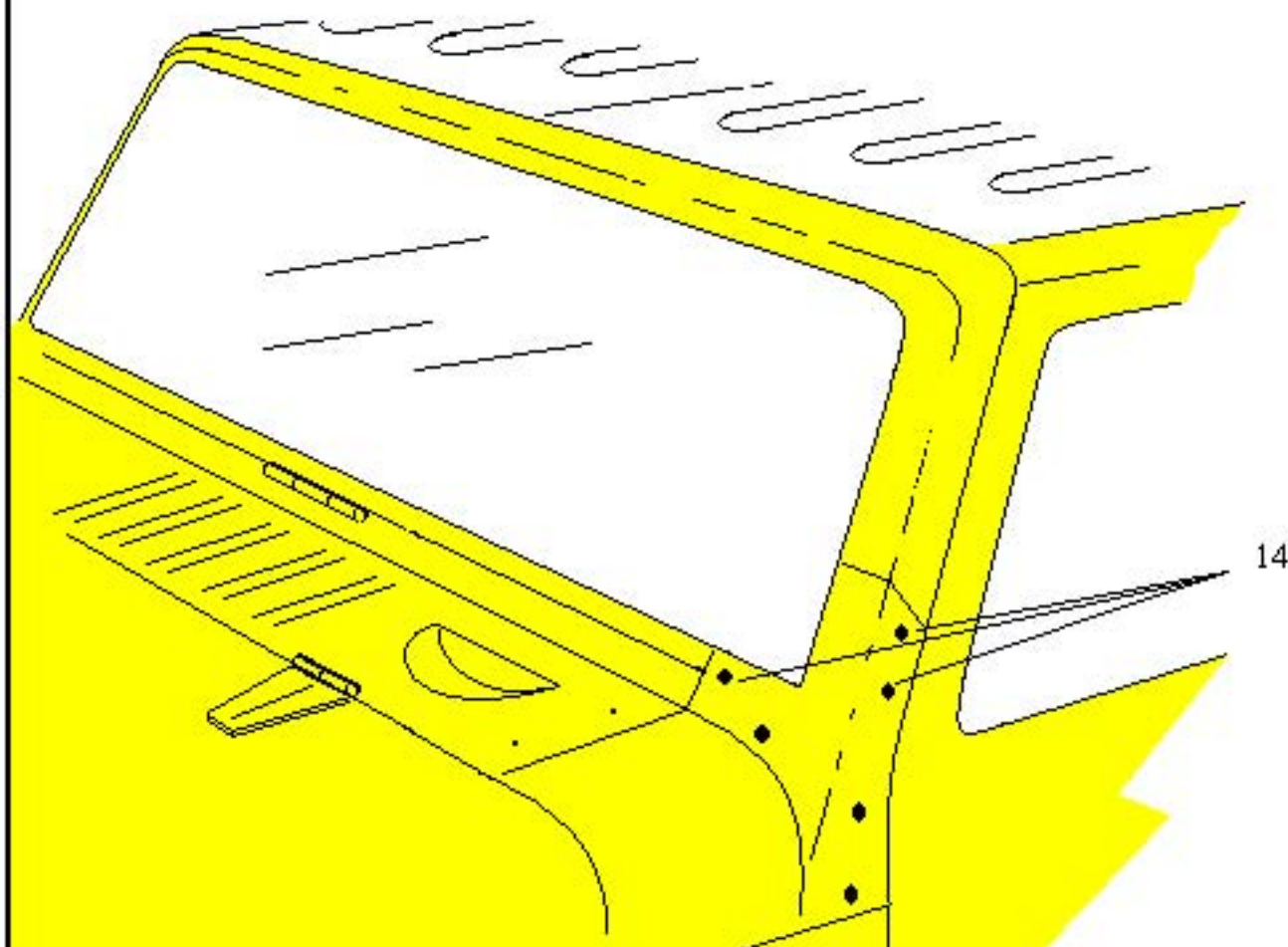
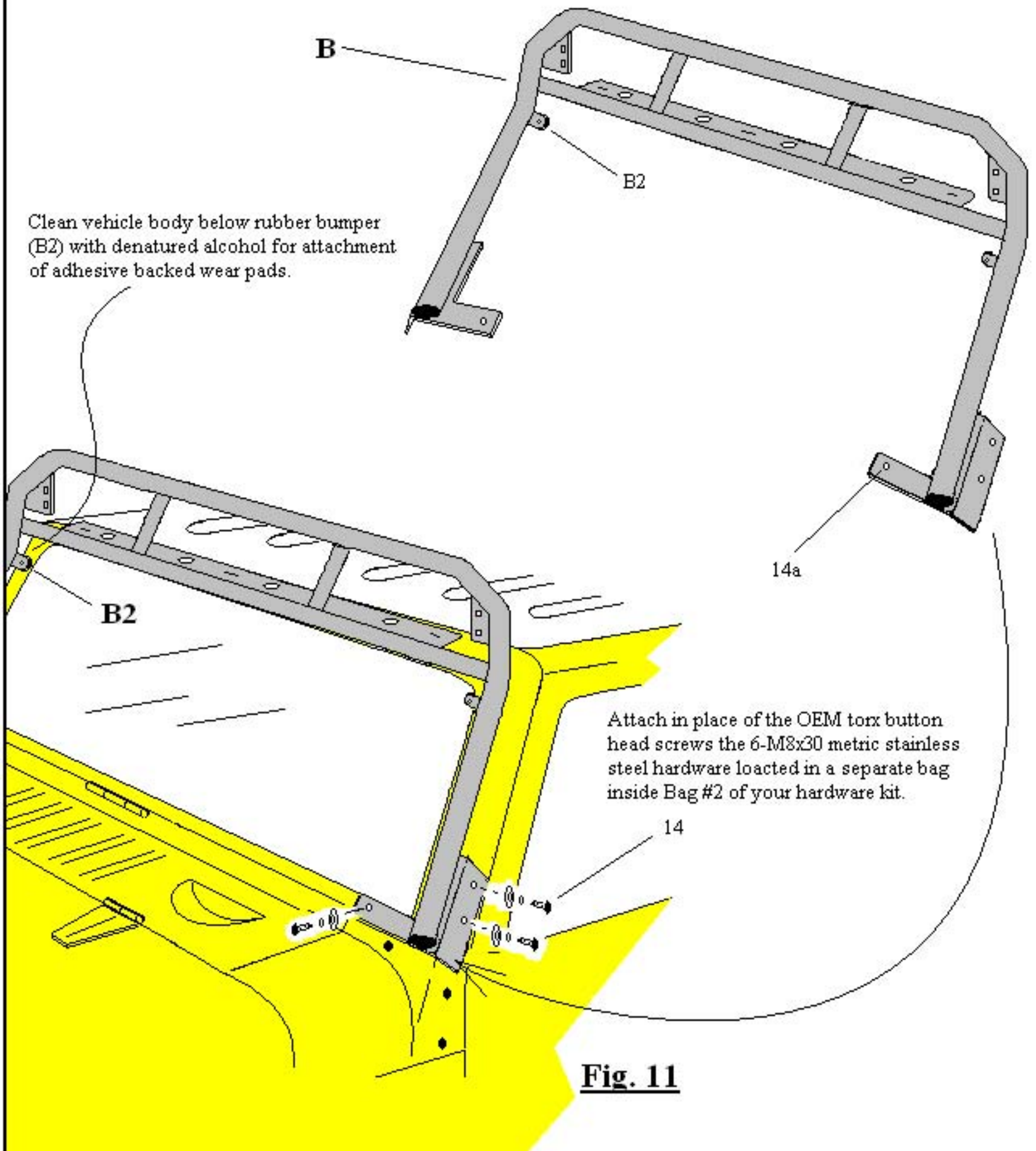


Fig. 10

GOBI JEEP JK WRANGLER RECON ROOF RACK INSTALLATION INSTRUCTIONS



GOBI JEEP JK WRANGLER RECON ROOF RACK INSTALLATION INSTRUCTIONS

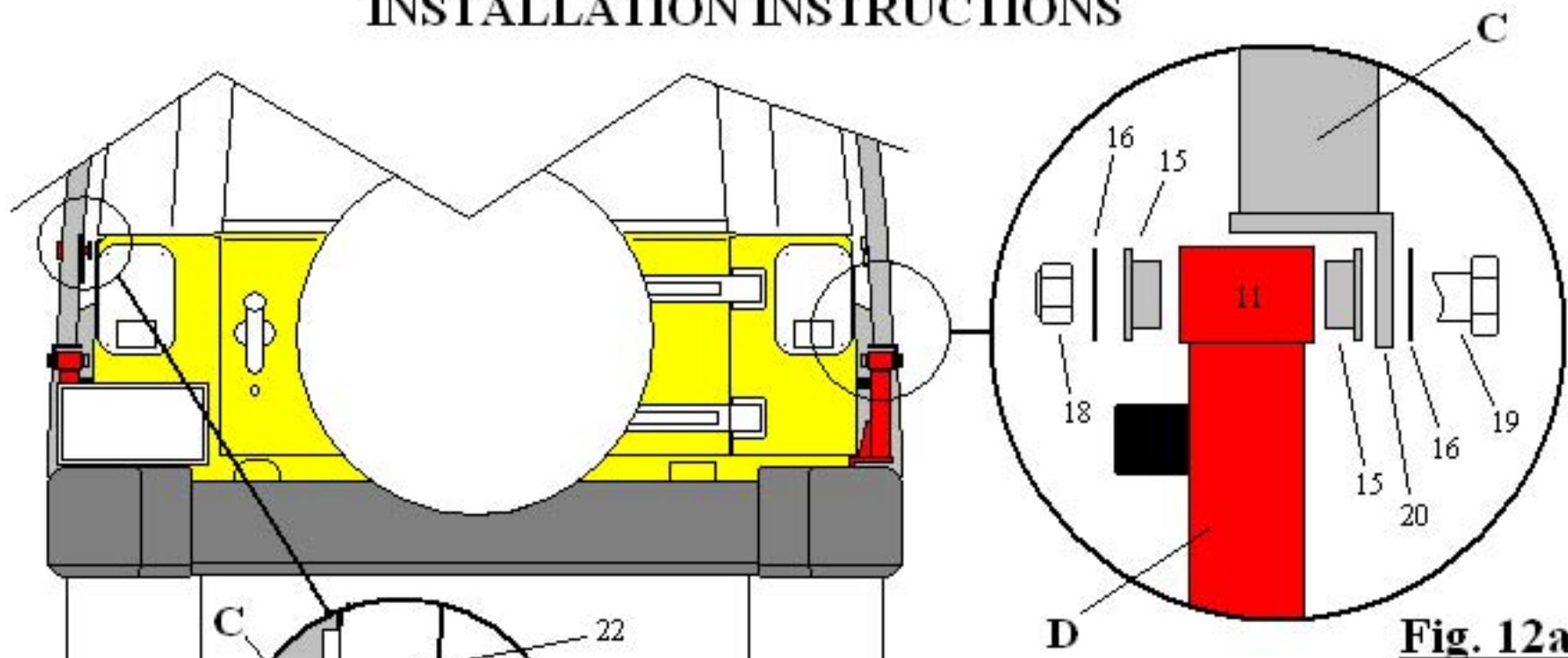
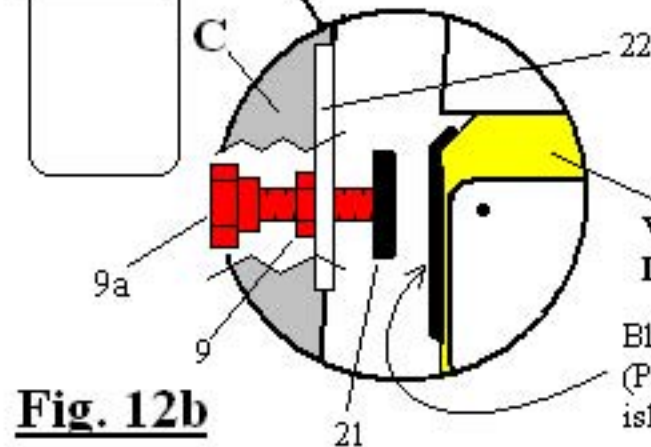


Fig. 12a



**Vehicle Body
Drivers Side**

Black Triangular adhesive backed wear plate
(Place on vehicle body under each Rubber
isolator #21)

Fig. 12b

Rear Drivers Side
wear plate position

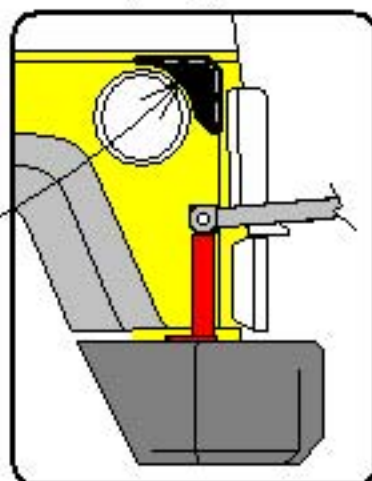


Fig. 12c

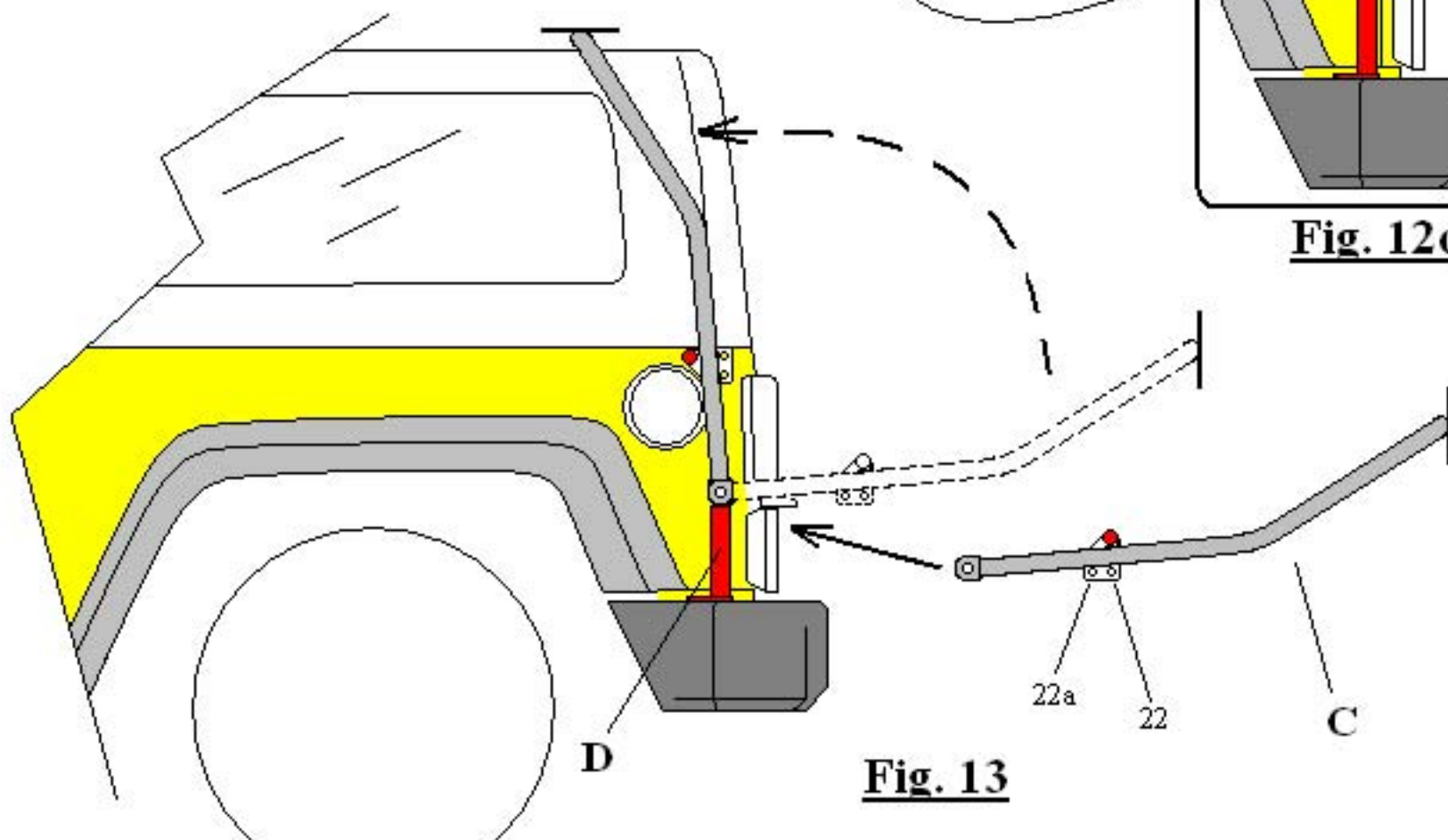
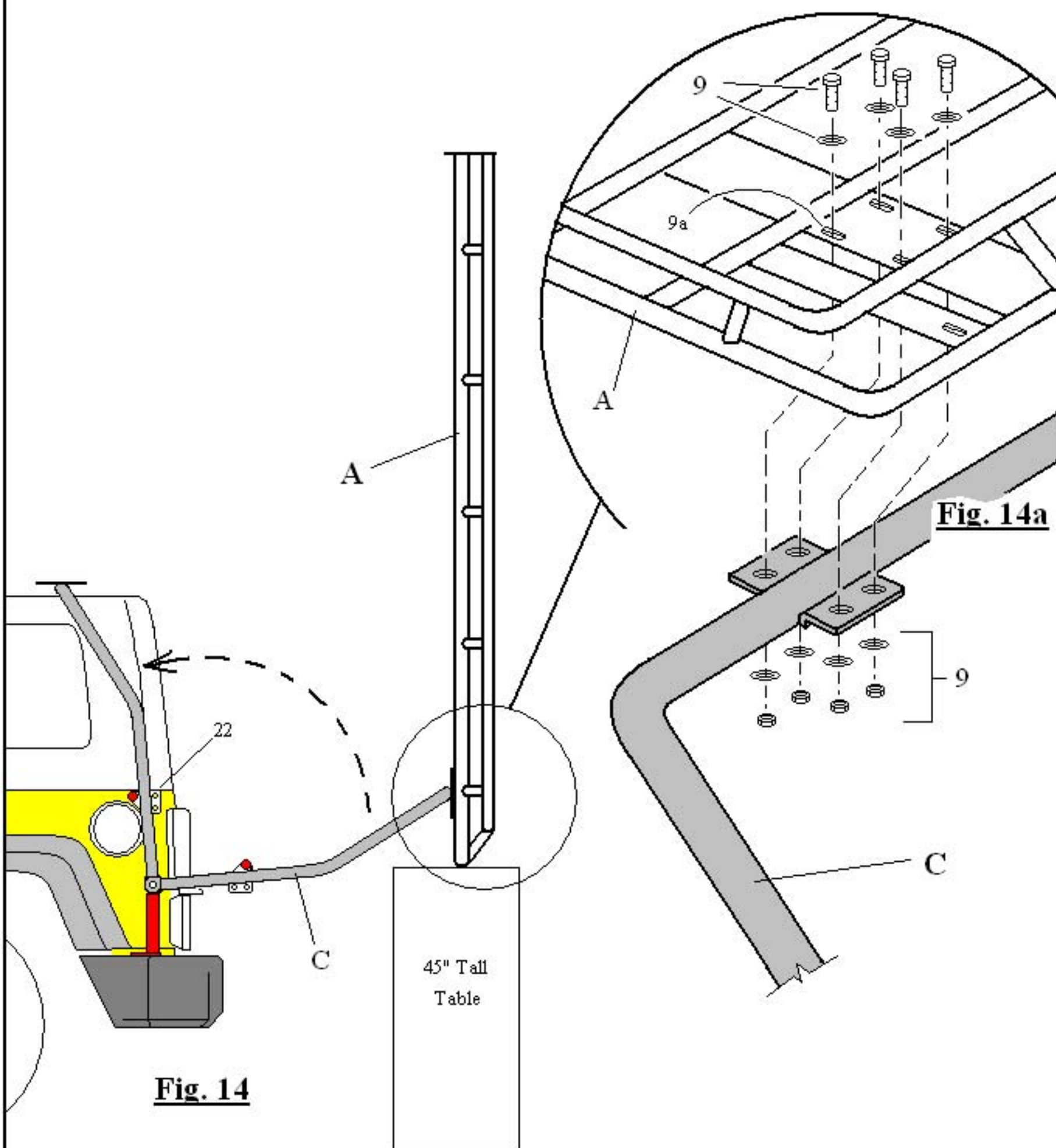


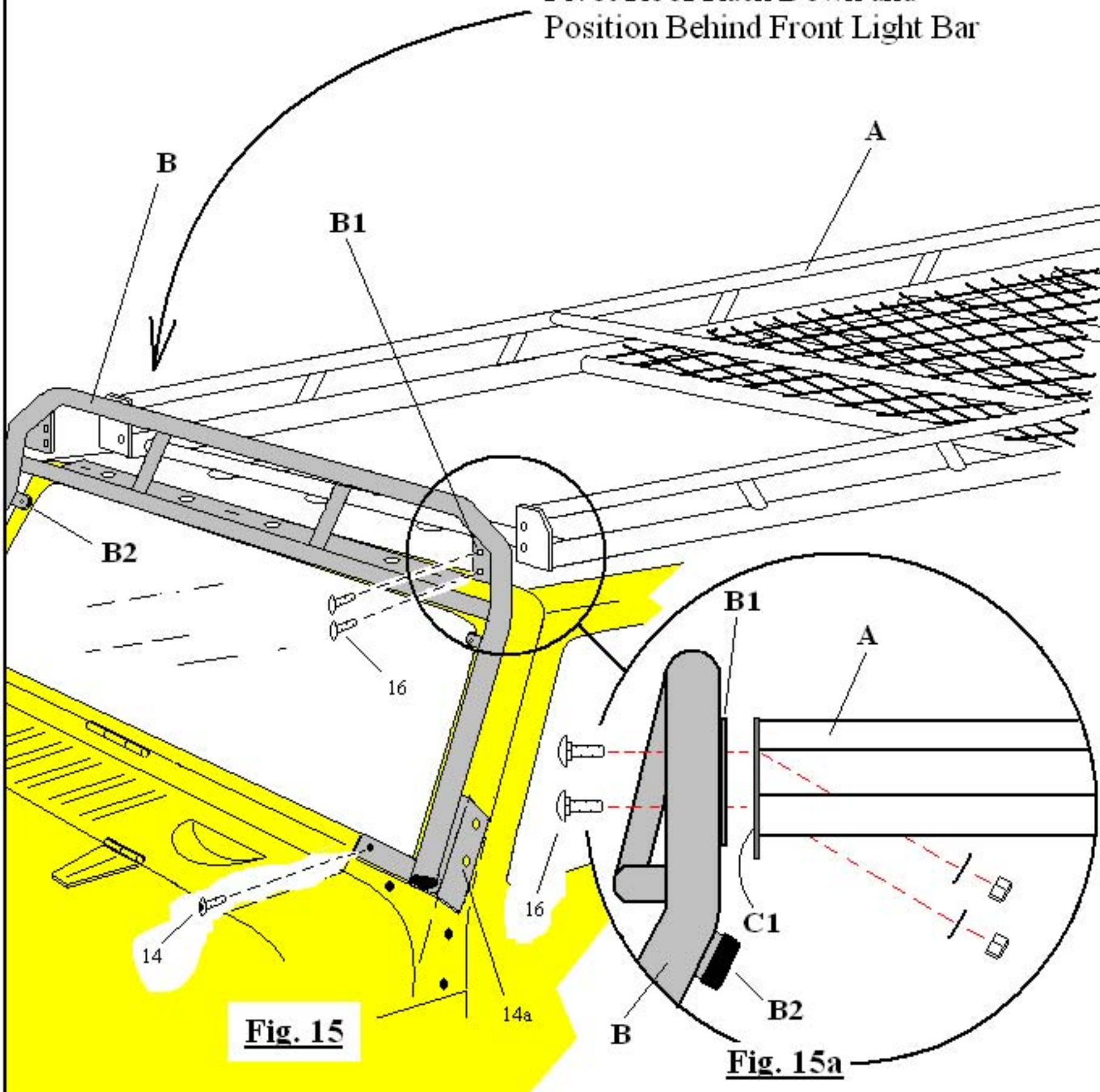
Fig. 13

GOBI JEEP JK WRANGLER RECON ROOF RACK INSTALLATION INSTRUCTIONS



GOBI JEEP JK WRANGLER RECON ROOF RACK INSTALLATION INSTRUCTIONS

Pivot Roof Rack Down and
Position Behind Front Light Bar



GOBI JEEP JK WRANGLER RECON ROOF RACK INSTALLATION INSTRUCTIONS

The rack must be inspected before each use to make certain attachments are secure, and for evidence of Wear. Misuse of the rack or failure to observe the manufacturer's instructions as to installation, proper Attachment and maintenance will void any warranties that may be implied by law.

INSTALLATION INSTRUCTIONS:

- 1- Refer to page 2 make sure all hardware listed is present prior to installation
- 2- Read all directions carefully prior to installation.
- 3- Refer to page 3 Fig. 1 and Fig. 2 use a 16mm socket and remove all 6 bolts (1) holding the rear bumper (2) to the jeep frame (3). Do not remove the bumper support brackets (4) from the vehicle frame (3) at this time. Note: *The rear door of your jeep may need to be opened during the removal and re-attachment of your bumper depending on the rear tire cover or size of tire.*
- 4- Refer again to page 3 Fig. 3 use a 16mm socket and remove the 4 bolts (1) holding the passenger and drivers side bumper support "L" brackets (4) to the vehicle frame (3). Place the "L" brackets (4) and all bolts (1) below the vehicle to each side they were removed from.
- 5- Supplied with your kit is a small packet of "Anti-Seize lubricant" apply a small amount of lubricant to all stainless steel bolts prior to installation.
- 6- Refer to page 5 Fig. 6 clean body seam (12) with denatured alcohol prior to install both rear side panels of the vehicle top to bottom.
- 7- Refer to page 4 Fig. 4 and remove the Rear Passenger and Driver side Support Towers (D) from the hardware box supplied with your kit. As indicated on page 4 Fig. 4a (exploded cut away view) remove any debris such as mud or the like from the underside of the vehicle which may inhibit the installation procedure. Use Rear Support tower (D) marked "PASSENGER SIDE" as shown on page 4 Fig. 4 and Fig. 4a and install clamp portion (5) of the Support Tower (D) over the Rear Passenger side sheet metal base lip (6) with pinch plate (7) on the inner side between the vehicle body and the clamps 3/8" hex cap screws, lock washers and flat washers (8). While holding Support Tower (D) in place use Flange (10) and collar (11) as shown on Fig. 4a and on page 5 Fig. 6 to align the Support Tower (D) to the Rear vehicle body seam (12). Once alignment is completed and clamp is fully pushed up against the lower body lip (6) as shown on page 4 Fig. 4a snug down the two clamp 3/8" hex cap screws, lock washers and flat washers (8) using a 9/16" socket or box end wrench. Do not fully tighten at this time.
- 8- Refer to page 2 Sections "G" of your hardware kit and remove one round Black Nylon adhesive backed wear plate located in Bag #3. Refer to page 4 Fig. 4a and page 5 Fig. 6 then peel off the self adhesive protective film and place the 1" round wear plate on seam (12) of the vehicle body directly behind black nylon stand offs (13) of support Tower "D". You will have to tilt Tower "D" slightly away from the vehicle body at the same time you apply the black nylon wear plate. Be sure not to move Tower "D" out of previously aligned position during this procedure. After the wear plate has been installed check that Tower "D" alignment has not been moved as outlined on page 11 #7 of the install instructions. Completely tighten the two clamp 3/8 hex cap screws, lock washers and flat washers (8) of Tower "D" using a 9/16" Socket or Box end wrench. Follow the same procedure when installing the Drivers side Support Tower (D).
- 9- Refer to page 5 Fig. 7 and select the passenger side support plate (E) indicated by either a stamp or sticker placed on the Support Plate located in your hardware kit. Attach Support plate (E) to the underside of passenger side Support Tower (D) as shown in Fig. 7a using two 3/8 flat washers and Nylock nuts supplied in Bag #2 of your hardware kit referred to as (9) on Fig. 7a, finger tighten only at this time. Continue by installing "L" bracket (4) over support bracket (E) using bolts (1) as shown in Fig. 7a, finger tighten only at this time. Apply the same procedure to the Driver's side.

GOBI JEEP JK WRANGLER RECON ROOF RACK INSTALLATION INSTRUCTIONS

The rack must be inspected before each use to make certain attachments are secure, and for evidence of Wear. Misuse of the rack or failure to observe the manufacturer's instructions as to installation, proper Attachment and maintenance will void any warranties that may be implied by law.

INSTALLATION INSTRUCTIONS CONTINUED:

- 10- Refer to page 5 Fig. 7 a and make certain that no gaps are present between "L" bracket (4), bracket (E) and frame (3) at the same time bracket "E" is in full contact with the underside of Support Tower "D" as shown in Fig. 7 a. While all parts are in full contact fully tighten support bracket (E) to the underside of Support Tower (D) using nuts (9) and a 9/16" socket. Check and make certain that "L" bracket (4) is vertically oriented for bumper re-alignment then fully tightening bracket (E) to vehicle frame (3) using bolts (1) and a 16mm ratchet. Apply the same procedure to the opposite side. Refer to page 6 Fig. 9 attach the rear bumper (2) over the rear vehicle frame (3) indicated by dotted lines. Install the two center bolts (1) first as shown in Fig. 9, finger tighten only at this time. Continue by installing either the driver's or passenger side bumper to "L" brackets (4) you may need to pull the bumper slightly outward towards the passenger or drivers sides in order to compensate for the addition of support plate (E) previously installed. Provide approximately a 1/4" gap between the underside of each Support Tower to the top of each side of the rear bumper then fully tighten all bolts (1) attaching the rear bumper to frame (3) as shown on page 6 Fig. 9 use a 16mm socket.
- 11- Refer to page 6 Fig. 10 and remove 3 Torx head screws (14) shown from the front windshield both Driver's and Passenger side using a #T-40 Torx bit. Remove the 6 stainless steel metric M-8 x 30 Hex cap screws, flat washers and lock washers from the separate bag inside Bag #2 of your hardware kit. Refer to page 7 Fig. 11 using two persons first install the Driver's side of the Gobi light bar (B) to the windshield. Use 3 M-8 Hex cap screws, washers and lock washers and attach the Gobi Light Bar in place on the windshield, finger tighten screws only at this time. Continue to the Passenger side and pull the Gobi Light Bar (B) over the windshield until the support bracket screw holes (14a) line up with the windshield screws holes. Thread all 3 remaining M-8 screws, washer and lock washers in place and finger tighten only at this time. Clean the surface area of the vehicle under each rubber bumper (B2) as shown on page 7 Fig. 11 with denatured alcohol then remove from Bag #3 of your hardware kit two 1 1/4" round brown adhesive backed wear pads. Peel off the protective cover and stick them directly onto the vehicle behind each rubber bumper (B2). Once the pads are in place fully tighten both the passenger and driver side screws securely using a 13mm socket.
- 12- Refer to page 8 Fig. 12a if available apply a small amount of grease over the inside flange of the plastic shoulder washers (15) to hold in place then place one shoulder washer (15) to each side of collar (11) of Support Tower (D) as shown in Fig. 12a. Apply the same procedure to both support towers (D) at this time. Using two persons attach the Rear Roof Rack Support Bar (C) in the direction as shown in Fig. 13 page 8 to the support towers (D). While the rear roof rack support bar is horizontal as shown in Fig. 13 thread in place one side at a time 1/2" bolt (19) through 1/2" grade 8 hard washer (16) and finally thread into Nylock nut (18) finger tighten only at this time. Apply the same procedure to the opposite side of support bar (C) and snug down both bolts (19) at this time. Pivot the roof rack support bar (C) up and lay over the vehicle roof top. If a hard top is present place a rag or towel between the support bar (C) and roof top to prevent marring of the paint.
- 13- Refer to page 9 Fig. 14 and locate a 45" tall table or the like, use this support platform to rest the Gobi roof rack (A) onto. Gather all hardware Fig. 14a (9) eight 3/8 x 1" Hex cap screws, sixteen 3/8 grade 8 flat washers and eight 3/8 grade 8 Nylock nuts located in Bag #2 supplied with your hardware kit. Using two persons rest the rear of the Gobi roof rack standing upright on the 45" tall table as shown in Fig. 14. While the Gobi roof rack is positioned upright lower support bar (C) next to the underside of Gobi roof rack (A). Place bolts and washers (9) through Gobi roof rack (A) then through support bar (C) and attach remaining washer and nuts as shown in Fig. 14a page 9, finger tighten only at this time. After all hardware is in place lift the Gobi roof rack support bar (C) up to the top of the roof rack bolts slots (9a) both sides as shown in Fig. 14a then fully tighten all screws and nuts securely.

GOBI JEEP JK WRANGLER RECON ROOF RACK INSTALLATION INSTRUCTIONS

The rack must be inspected before each use to make certain attachments are secure, and for evidence of Wear. Misuse of the rack or failure to observe the manufacturer's instructions as to installation, proper Attachment and maintenance will void any warranties that may be implied by law.

INSTALLATION INSTRUCTIONS CONTINUED:

- 14- Refer to page 10 Fig. 15 and Fig. 15a using two persons pivot the Gobi roof rack (A) up over the vehicle roof top and butt against the rear side of the Gobi Recon light bar mounting plate (B1). Use four 3/8-16 SS carriage bolts, Grade 8 flat washers and Nylock nuts (16) located in Bag #2 of your hardware kit and place through mounting plate (B1) and roof rack mounting plate (C1), finger tighten only at this time. Continue to the opposite side and complete the same procedure. Once all bolts are in place fully tighten roof rack to light bar.
- 15- Refer to page 8 Fig. 12b loosen jam nut (9) and turn Anti-sway isolator knob (9a) counter clockwise to pull the isolator (21) away from vehicle body. Remove from Bag #3 two black adhesive backed triangular wear plates. As shown on page 8 Fig. 12b and 12c without removing the adhesive protective film from the wear plates position the plates over the rear upper corners of the vehicle body just behind each Anti-sway isolator as shown in Fig. 12c. Match the bends of the wear plate tightly to the angles of the vehicle body. Once you have a good idea of the wear plate's final position clean the area thoroughly with denatured alcohol remove the adhesive protective film and press in place. Apply the same procedure to the opposite side.
- 16- Tighten both Anti-sway isolators (21) in place by turning knob (9a) clockwise. As you tighten each isolator pull out on the support bar "C" so that a fair amount of tension is exerted against the wear plate. Apply the same procedure to the opposite side. This will prevent excessive movement or sway of the roof rack's rear section during use. Once both isolators have been adjusted tighten jam nut (9) clockwise to prevent loosening of the Anti-sway isolators. Installation is now completed.
- 17- Should the Gobi roof rack need to be retracted for soft top removal or retraction be sure to first loosen both jam nuts (9) and fully unscrew both Anti-sway isolators (21) to clear the vehicle body and tail light guards if present.

CAUTION: Excessive speeds over rough off road terrain with or without a fully loaded roof rack are not recommended.

NOTE: Use of an additional Anti-sway isolator on both sides of your Gobi Jeep JK roof rack is recommended with the installation of two ladders or roof top tent applications when traveling over tough terrain with heavy loads. As shown on page 8 Fig. 13 (22a) the second hole below the ladder attachment hole (22) is designed for the use of an additional Anti-sway isolator. To purchase a Passenger side ladder or the additional Anti-sway isolators contact your nearest Gobi dealer or Gobi racks direct at 1-720-479-9372 or e-mail to gobiracks.com. Thank you for your purchase.