



Installation Instructions:

(Part # SB76816)

2007-2012 Jeep JK 2dr/4dr

XRC Modular Front Bumper Mid Width End Plate Kit

NOTE: Carefully read entire instructions thoroughly before attempting to install this part.

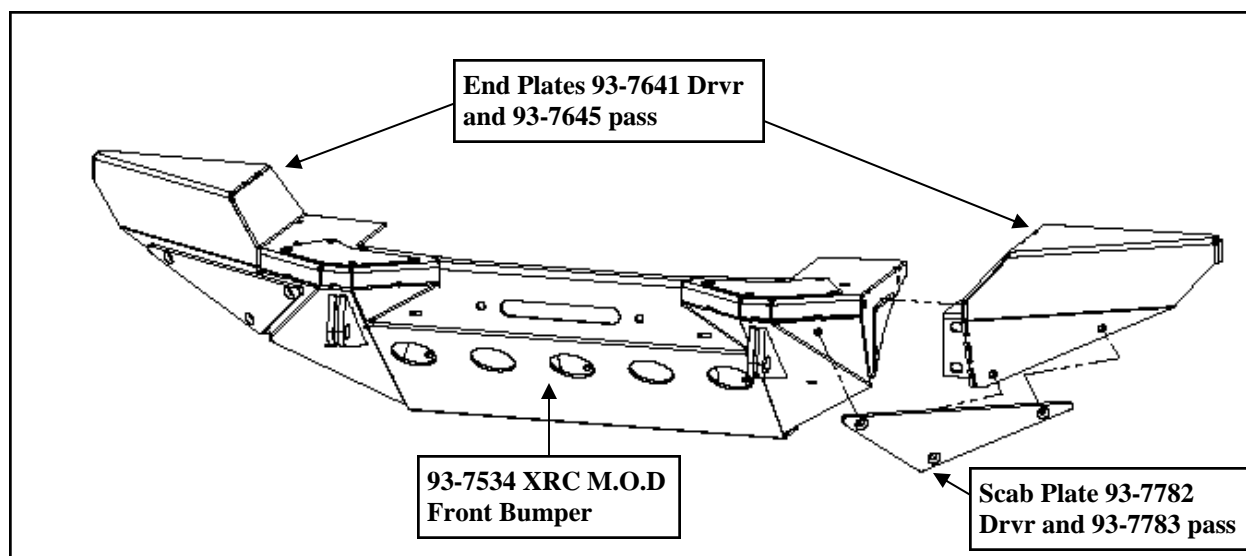
Parts Included	Qty	Parts Included	Qty
93-7641 Mid Width End Plate: Drvr	1	3/8" X 1" Black Socket Head Bolt	6
93-7645 Mid Width End Plate: Pass	1	3/8" Flat Washer Gr. 8	4
90-6850 Hardware Pack: End Plate	1	3/8" Nylock Nut	4
7/16" X 1" HEX BOLT GR. 8	2	90-7685 Shim	2
7/16" Flat Washer Gr. 8	2	93-7782 Scab Plate: Drvr	1
7/16" Split-Lock Washer Gr. 8	2	93-7783 Scab Plate: Pass	1

INSTALLATION:

Step 1: Working on one side of the vehicle at a time, unbolt and remove the stainless steel side cover plate (90-7554 drvr and 90-7555 pass), by removing the (3 per side) 3/8" X 1/2" button head bolts.

Step 2: Unbolt the (2 per side) outer 7/16" X 1 1/4" hex head bolt and 7/16" washers that secure the XRC M.O.D. bumper to the frame, and set aside.

Step 3: Install the mid width end plate (93-7641 drvr and 93-7645 pass) to the XRC M.O.D. bumper (93-7534) by inserting the tab of the end plate into the slot of the XRC M.O.D. bumper. (Fig. A)



(Fig A)

For Technical Support/Warranty Information please call 310-762-9944



Installation Instructions:

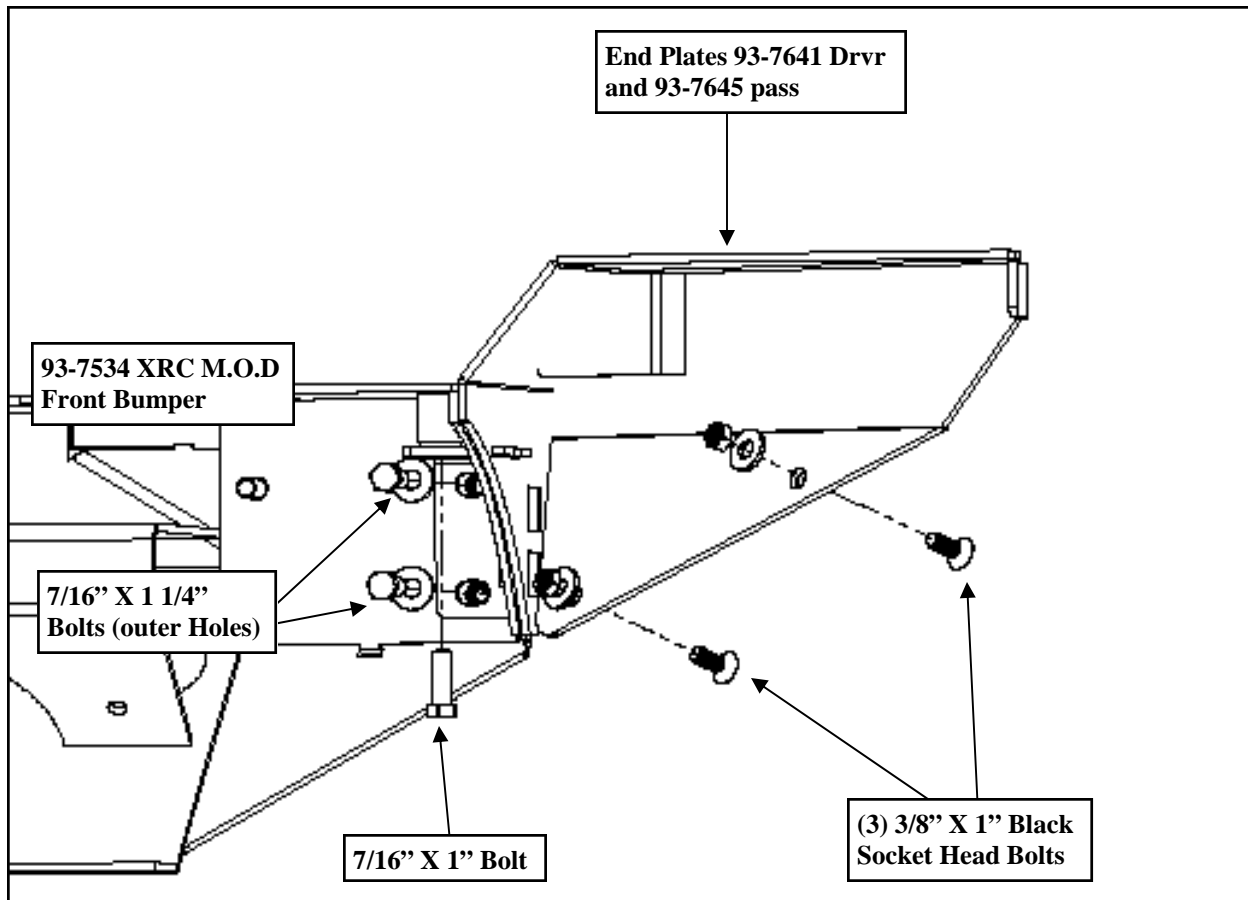
(Part # SB76816)

2007-2012 Jeep JK 2dr/4dr

XRC Modular Front Bumper Mid Width End Plate Kit

Step 4: Replace the previously removed (2) 7/16" bolts and washers back into the outer frame holes, but do not tighten at this time.

NOTE: If needed, install the shim plates (90-7685) between the rear of the frame and the front of the end plate tab.



(Fig B)

Step 5: Install the scab plate (93-7782 Drvr and 93-7783 pass) to the end plates and XRC M.O.D. bumper mounting holes. Secure using the (3 per side) 3/8" X 1" black socket head bolts and hardware. (Fig. B)

Step 6: Install (1 per side) 7/16" X 1" hex head bolt, lock washer and hardened flat washer upward through the rear tab of the end plate (93-7641 Drvr and 93-7645 pass). (Fig. B)

Step 7: Align end plates (93-7641 Drvr and 93-7645 pass) with the XRC M.O.D. bumper and torque the 7/16" bolts to 60 ft./lbs. Torque the 3/8" bolts to 45 ft./lbs. (Fig. B)

Step 8: Repeat the same procedure for the passenger side.

Step 9: Installation is now complete.

For Technical Support/Warranty Information please call 310-762-9944



Installation Instructions:

(Part # SB76816)

2007-2012 Jeep JK 2dr/4dr

*XRC Modular Front Bumper Mid Width
End Plate Kit*

Product cleaning and maintenance instructions

Stainless Steel Finish – Aluminum polish may be used to polish small scratches and scuffs on the finish. Mild soap, window or glass cleaner may be used to clean the finish. **Dual state powder coat finish** – Mild soap, window or glass cleaner may be used to clean the finish. In order to protect the finish, you may wax your product on a regular basis with pure carnauba automotive wax. Do not use any types of soap, polish or was that contains abrasive that could damage the finish. **Textured coated finishes** should be cleaned with a mild soap on a damp sponge. Do not apply polish or was that requires to be removed by means of buffing. This type of wax is commonly used at car wash facilities. **Chrome Finish** – Mild soap, window or glass cleaner may be used to clean the finish. In order to protect the finish you should wax your product on a regular basis with pure carnauba automotive wax. Do not use any types of soap, polish or was that contains abrasive that could damage the finish.

Limited Warranties

Smittybilt's products are covered under the following limited warranties only. Note that the duration of the limited warranty differs according to the material and finish of the product purchased. Subject to the duration and conditions of the limited warranty stated below, Smittybilt warrants to the original retail purchaser that its products are free from defects in material and workmanship. All other warranties and representations express or implied, are hereby disclaimed, including fitness for merchantability and buyer's intended use or purpose. All parts are sold "AS IS" except for the limited warranties granted herein. Buyer assumes all risks as to the selection, suitability and performance of all goods and products selected. This limited warranty does not cover damage or impairment in any part due to misuse, improper installation, accident or contact with on-road or off-road hazards, product modification, improper or inadequate cleaning and/or maintenance. Smittybilt is not responsible for items damaged during shipping. This warranty is not transferable from the original buyer. For the original Buyer to be eligible for the limited warranty coverage, the Buyer must provide proof of purchase. Smittybilt strongly recommends returning the warranty registration card.

Customer's remedy hereunder shall be limited only to repair or replacement (at Smittybilt's option) of any defective part(s) returned to Smittybilt at customer's expense. The determination of whether or not a returned part is defective or subject to coverage under the limited warranties stated herein shall be made at Smittybilt's sole discretion.

For Technical Support/Warranty Information please call 310-762-9944



Installation Instructions:

(Part # SB76816)

2007-2012 Jeep JK 2dr/4dr

*XRC Modular Front Bumper Mid Width
End Plate Kit*

Duration of Limited Warranty

Limited Lifetime Warranty on Stainless Steel Products -

Smittybilt stainless steel products carry the foregoing limited repair or replacement warranty against workmanship and defects in the material so long as the original purchaser retains the original stainless steel parts.

Limited Five (5) Year / 50,000 Mile Pro-Rata Warranty (whichever occurs first) on Dual-Stage Powder Coating Products -

Smittybilt dual-stage powder coated products carry the foregoing limited repair or replacement warranty for a period of (5) years or 50,000 miles (whichever occurs first) from date of purchase against workmanship and defects in the material, provided that any claim submitted after (2.5) years from date of purchase shall, if accepted, be satisfied by Smittybilt offering customer a credit on the purchase of a replacement product equal to fifty percent (50%) of customer's initial purchase price.

Limited Three (3) Year / 36,000 Mile Pro-Rata Warranty (whichever occurs first) on Chrome Products-

Smittybilt chrome products finished carry the foregoing limited repair or replacement warranty for a period of three (3) years or 36,000 miles against workmanship and defects in the material (whichever occurs first) from the date of purchase.

To assure product quality, Smittybilt reserves the right to change product design, material, specification and finishes without prior notice to customers. This limited warranty gives you specific legal rights and you may also have other rights, which may vary from state to state. Some states do not allow limitations on how long an implied warranty lasts, so the above limitations may not apply as to you. Also, some states do not allow the exclusion or limitation of incidental or consequential damages, so the above limitations or exclusions may not apply to you. Smittybilt reserves the right to discontinue product lines and substitute products, or provide other remedies than those listed in this limited warranty for those discontinued products.

For Technical Support/Warranty Information please call 310-762-9944

Smittybilt, 400 W Artesia, Compton, CA 90220