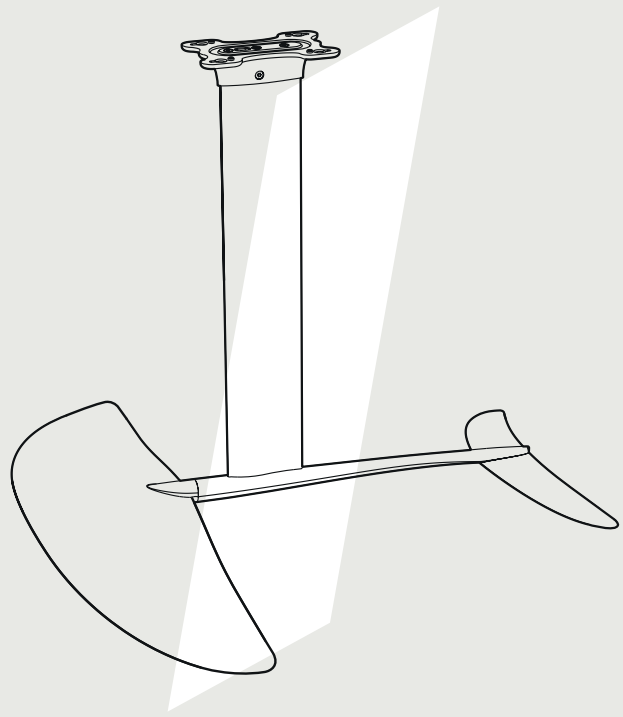


# foil

USER'S GUIDE



**takuma**

*fly above water*

## Thank you for choosing the **TAKUMA FOIL**

Make sure you are able to use this product in a safe and responsible manner. Do not use it if you are not in good physical health, if you are not an experienced swimmer, or if you are under the influence of alcohol, drugs or medications.

The use of a foil exposes you and others around you to serious risks, the wings and mast have sharp edges that could cause serious bodily harm, even death. It is recommended to take lessons by a certified instructor before using this product on your own.

Always make sure you are using this product at a safe distance from others and away from any obstacles. Check for any legal requirements and rules that may apply in your location. Observe local weather forecasts and never go out in dangerous conditions. Take care when handling the foil and always store it in its protective carrying case.

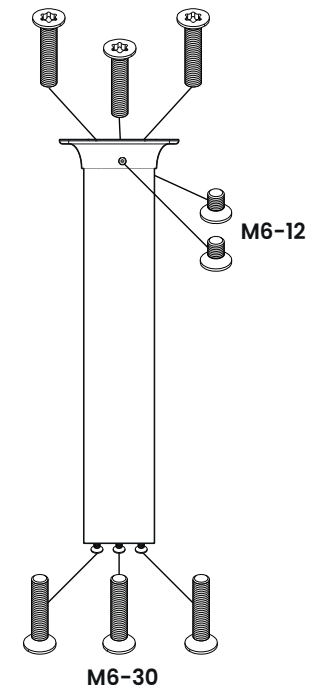
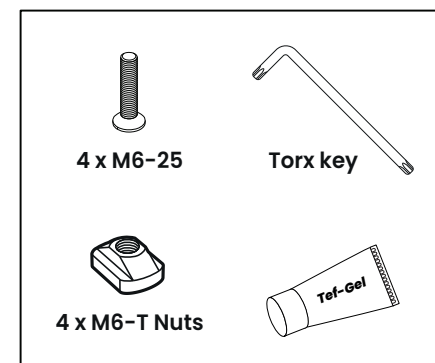
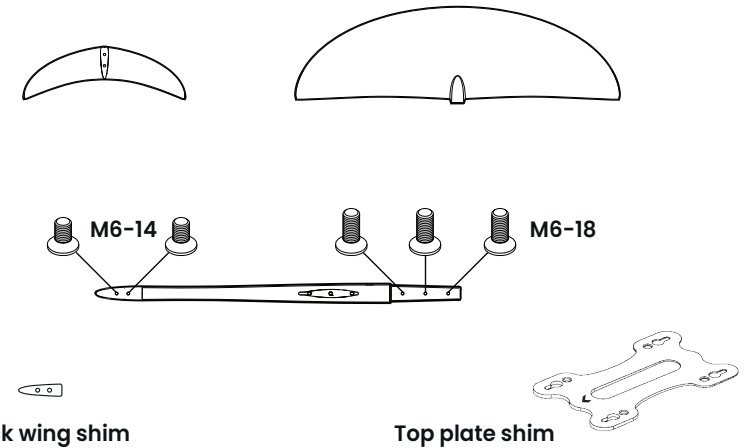
The following are required when using your **FOIL**:

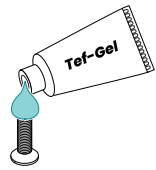
- a certified personal flotation device (PFD)
- a certified helmet
- a full neoprene wetsuit, booties and gloves

By using this product, you agree that you do so at your own risk. TAKUMA does not accept any responsibility for personal injury or material damage in the case of an accident due to incorrect use.

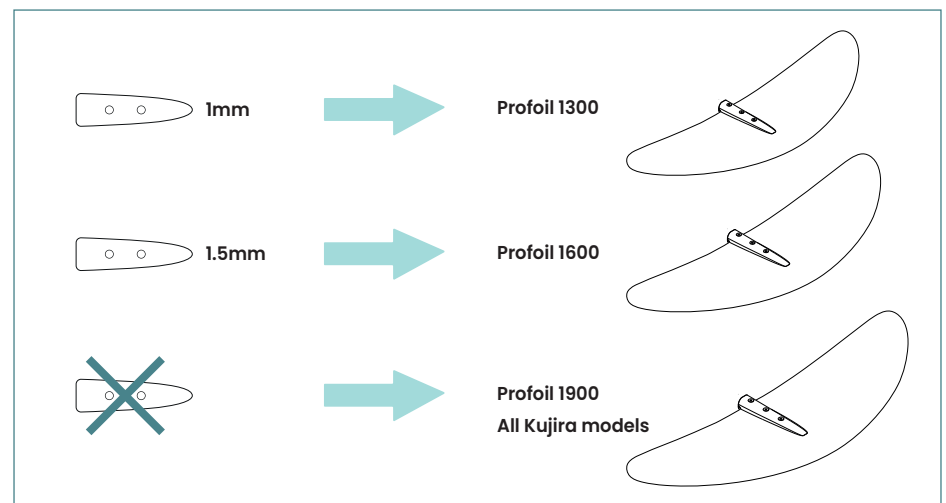
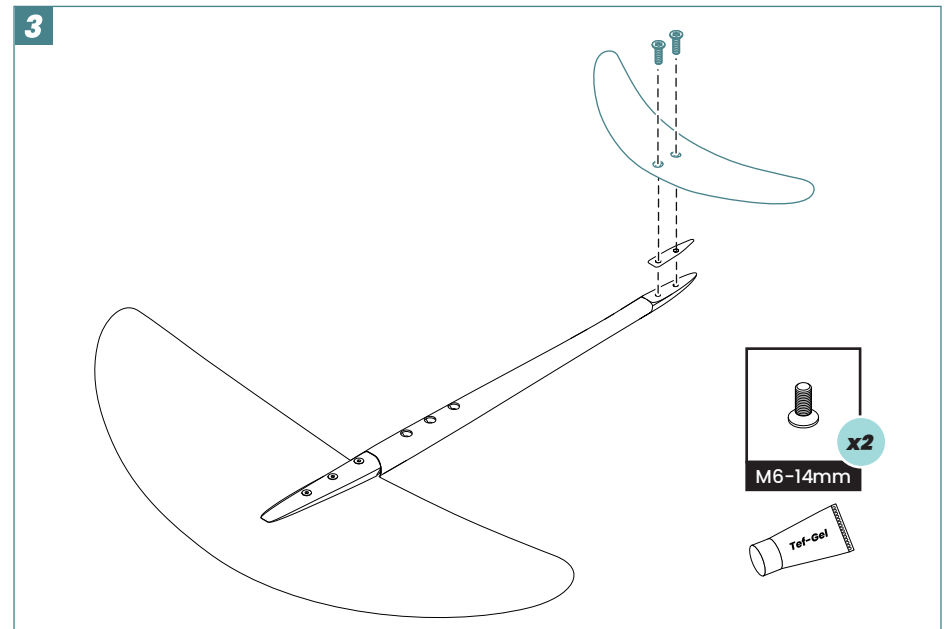
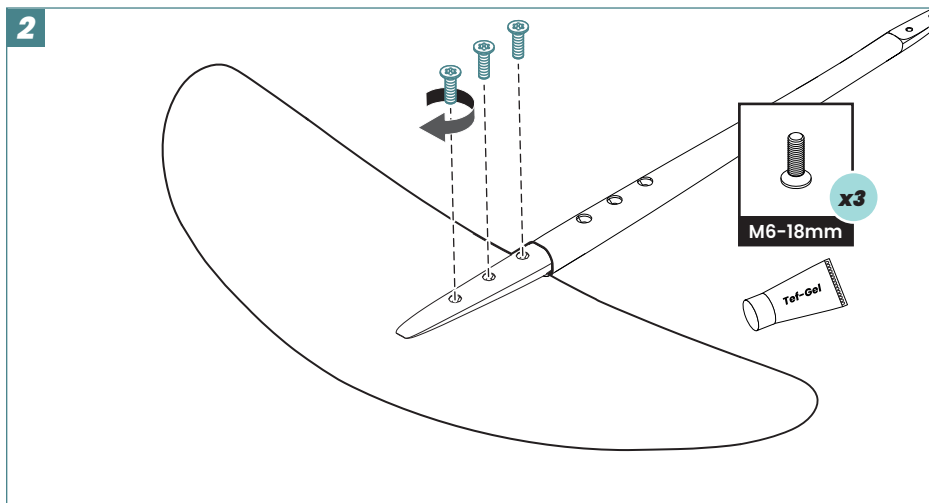
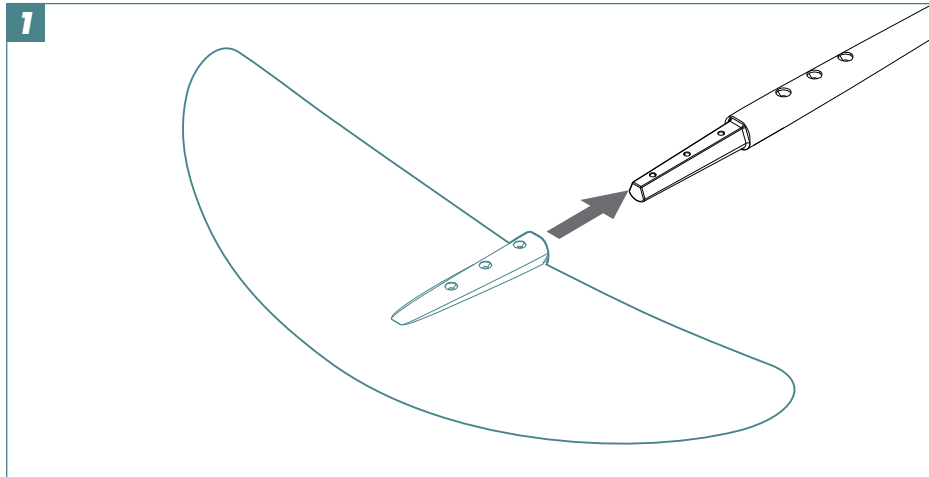


Assembly video tutorials

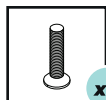




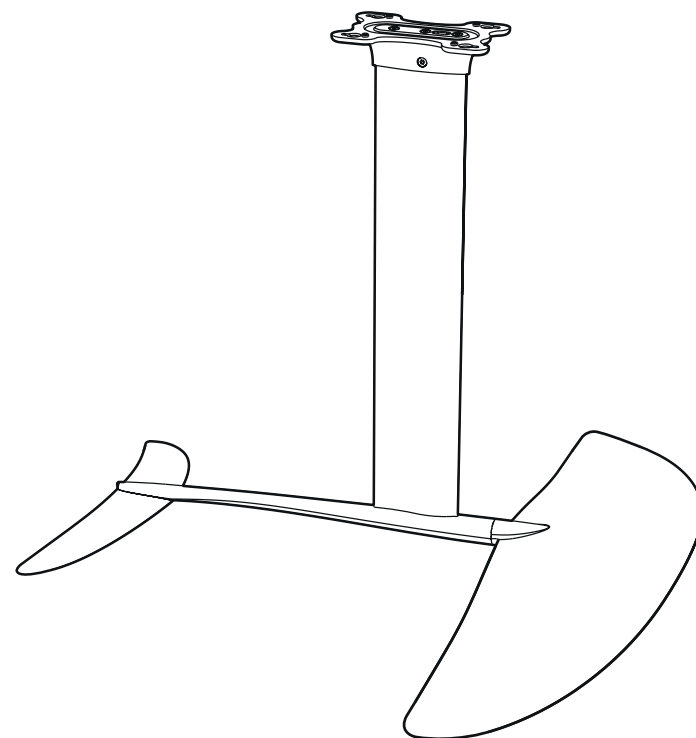
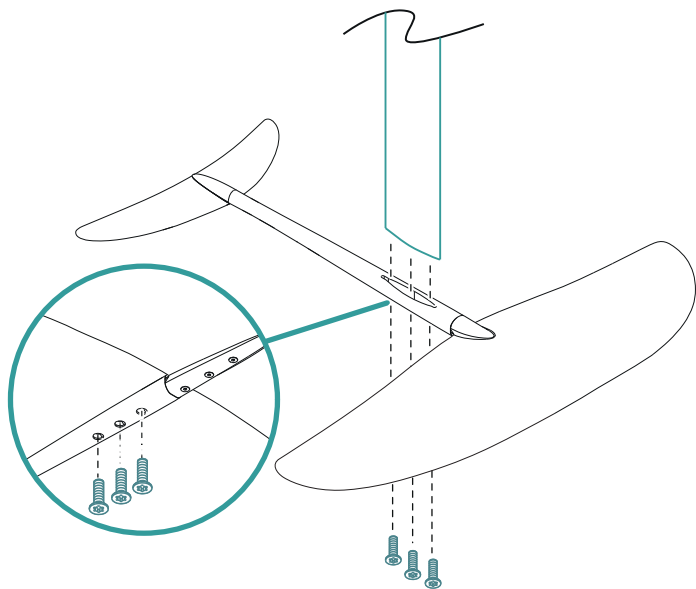
Apply a thin layer of **Tef Gel** on all screws before use to avoid corrosion.



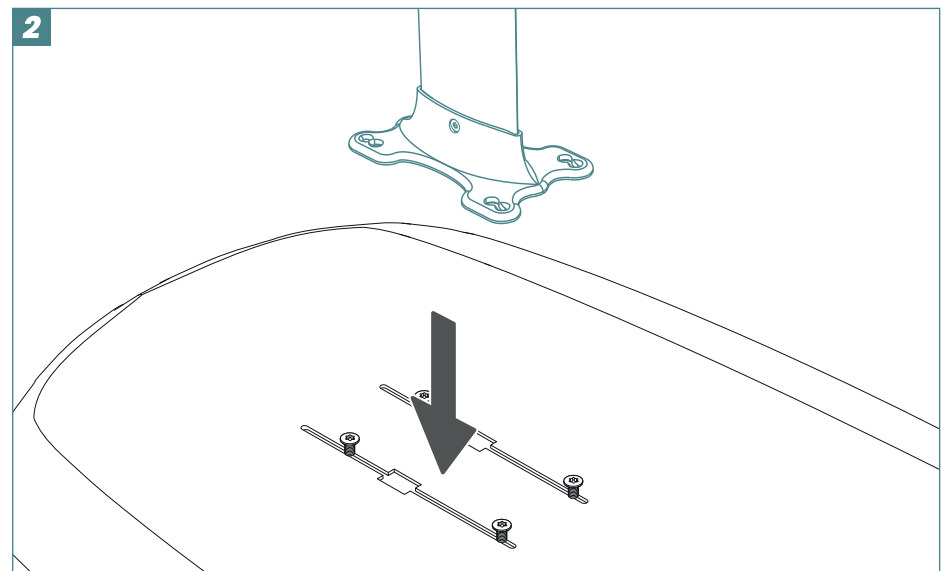
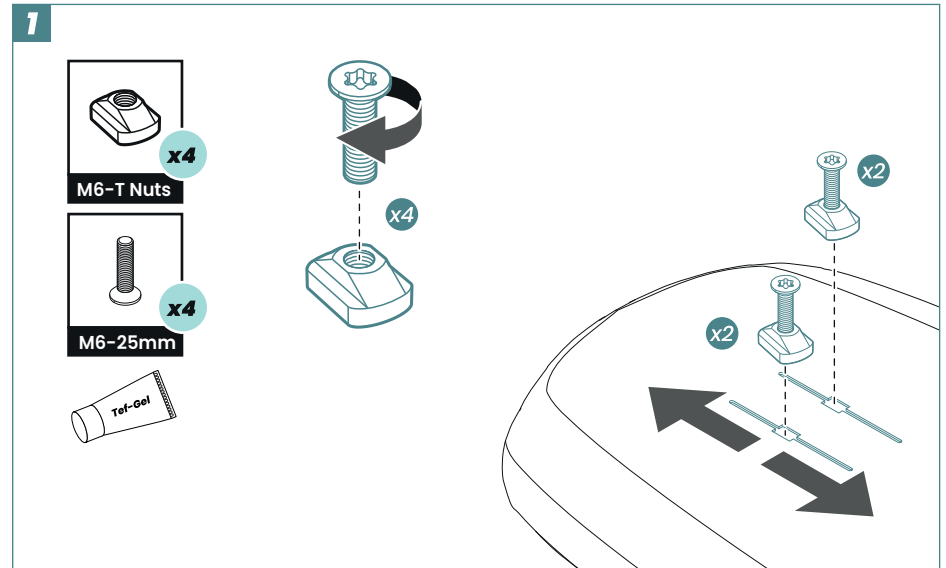
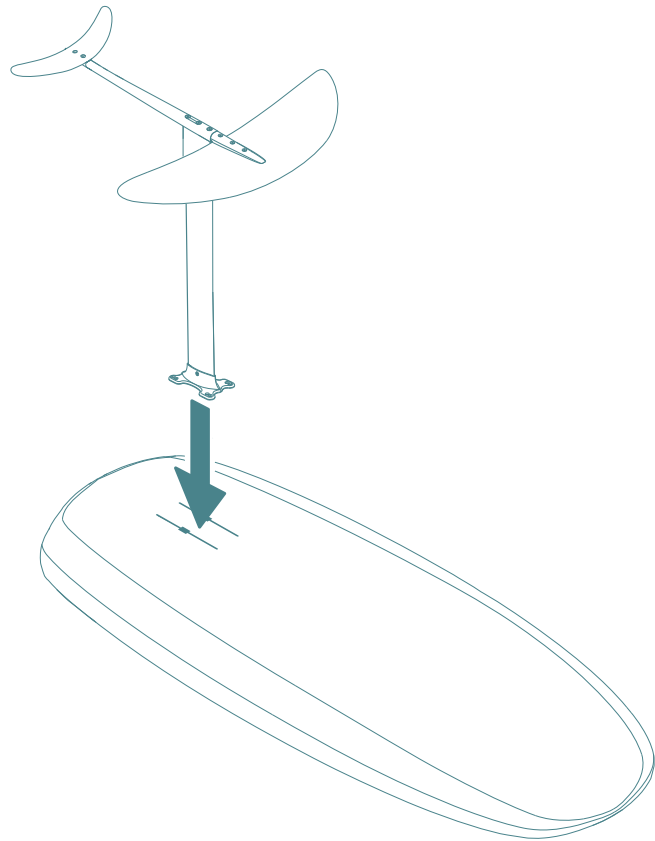
**4**

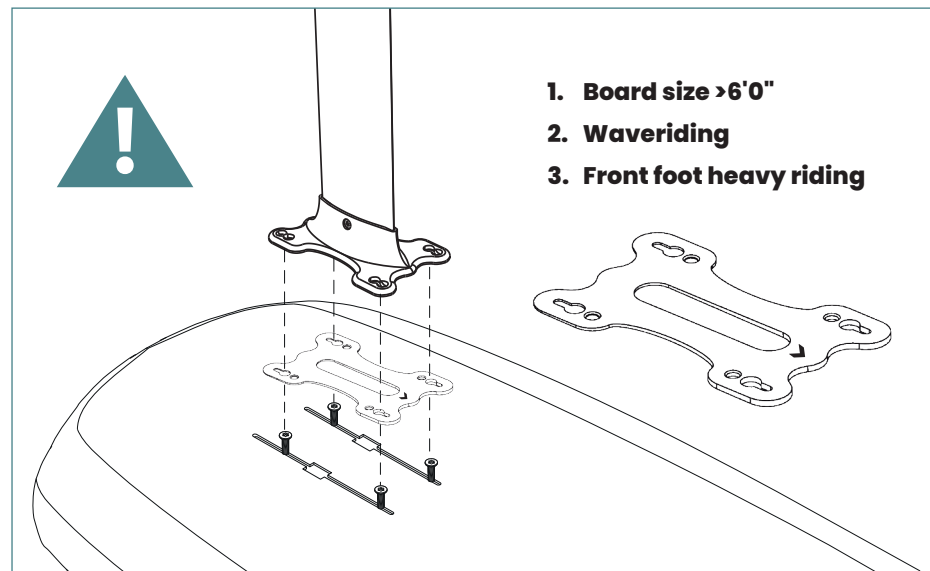
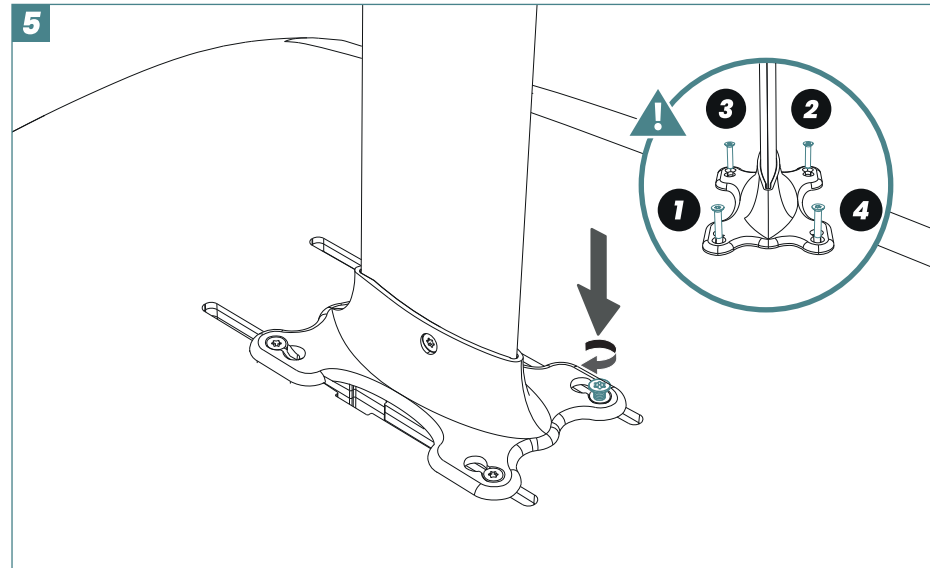
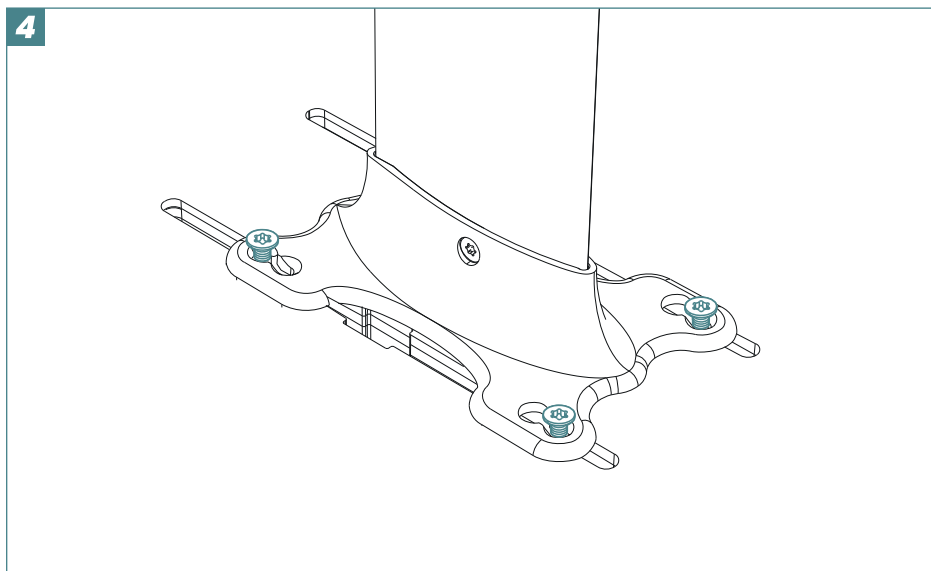
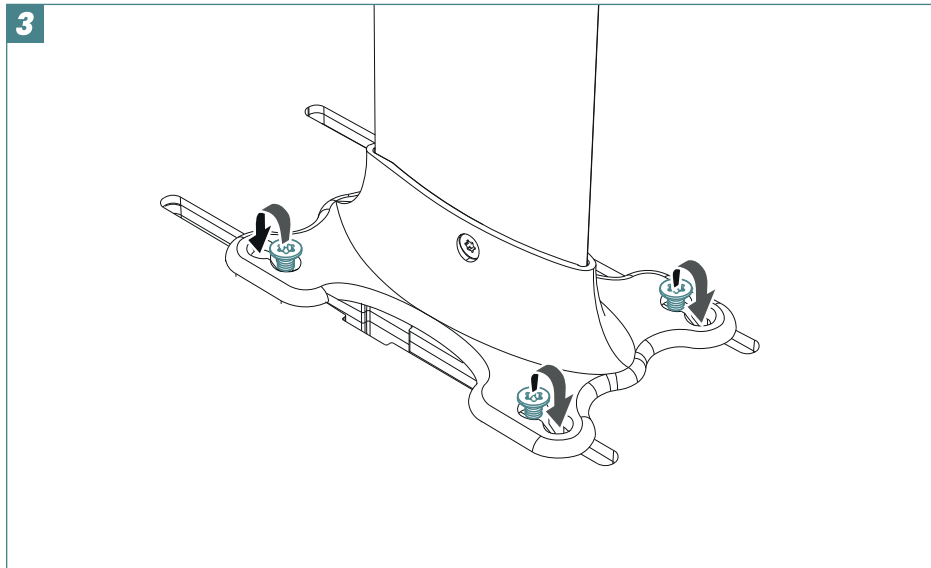


M6-30mm



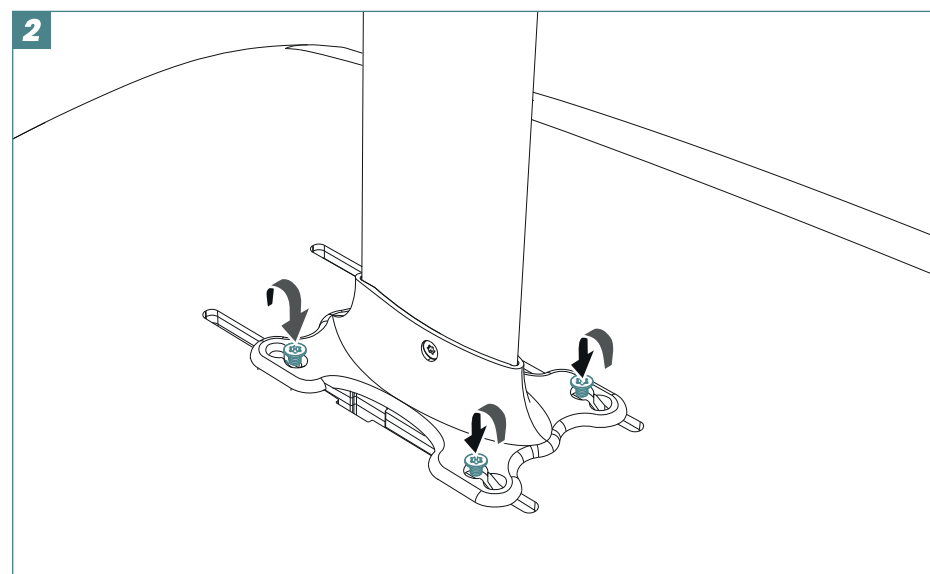
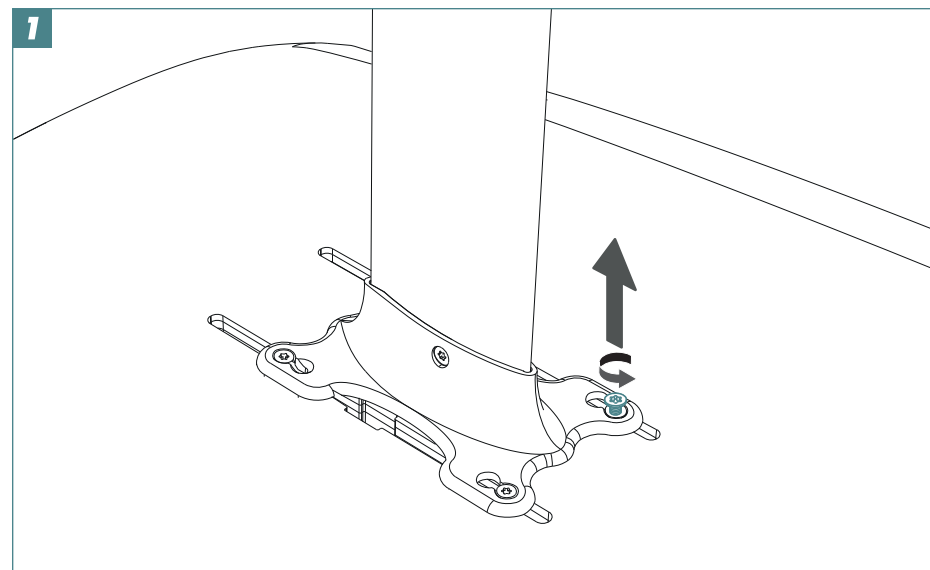
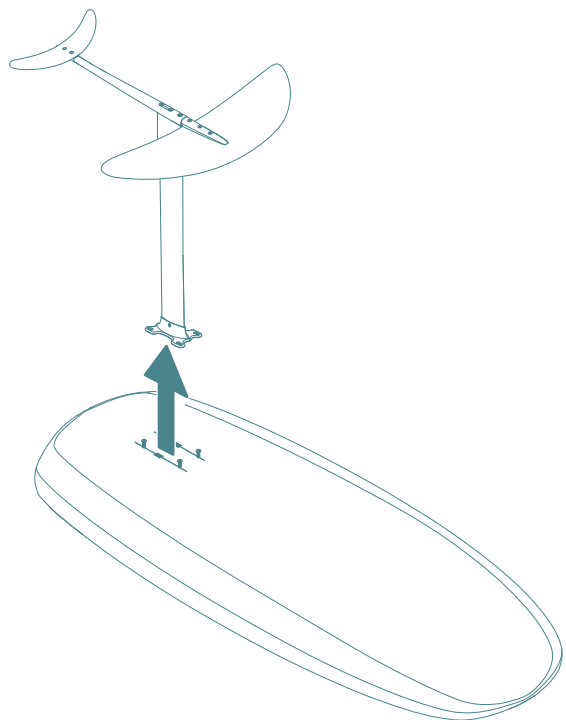
Foil mount



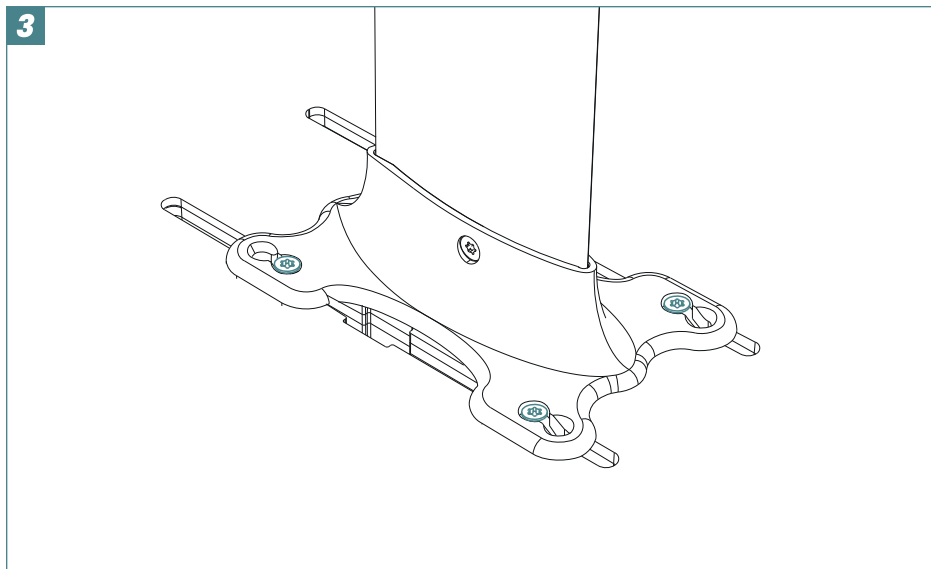


**Foil removal**

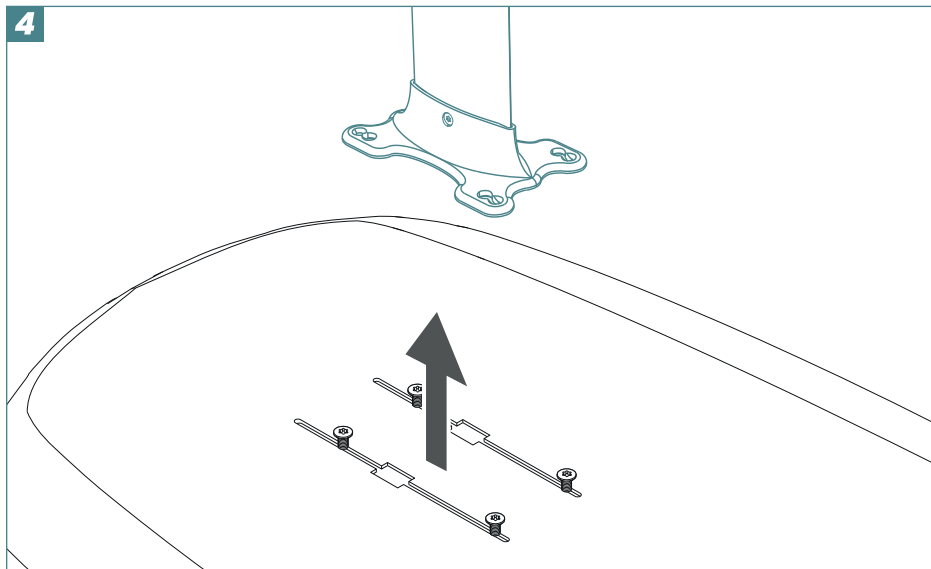
---



3

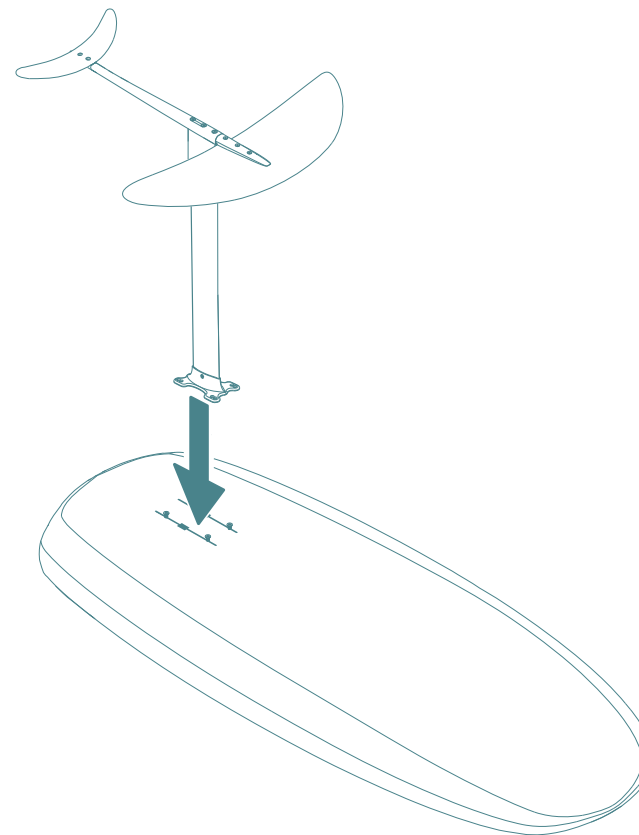


4

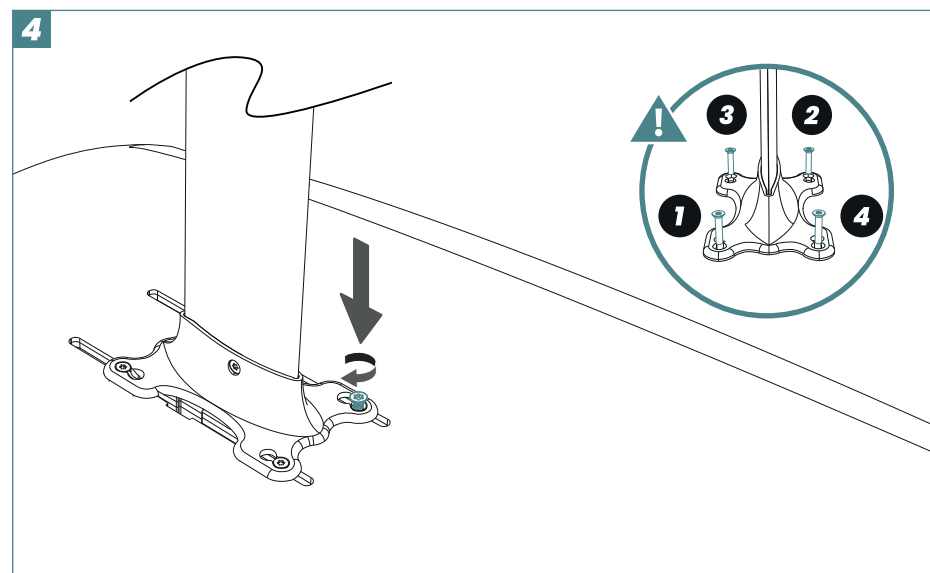
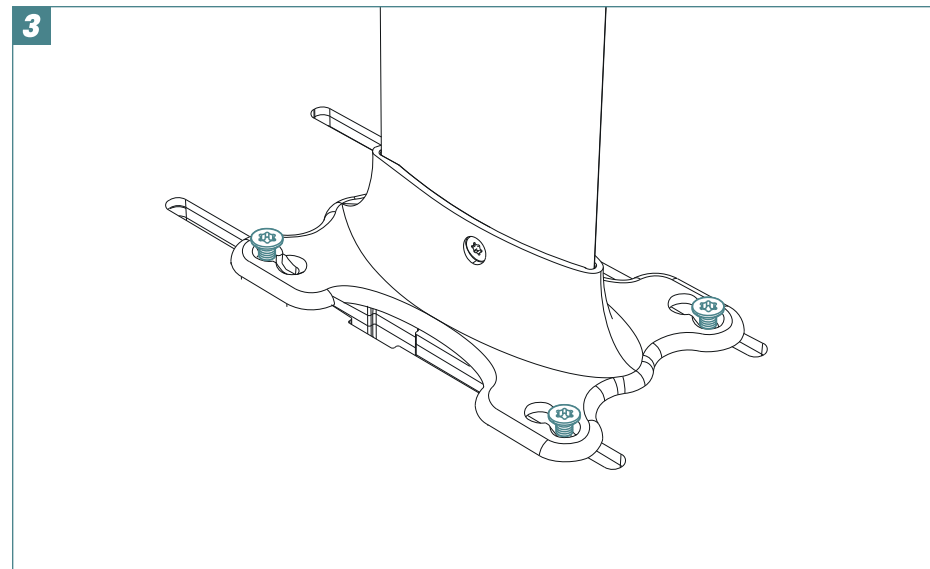
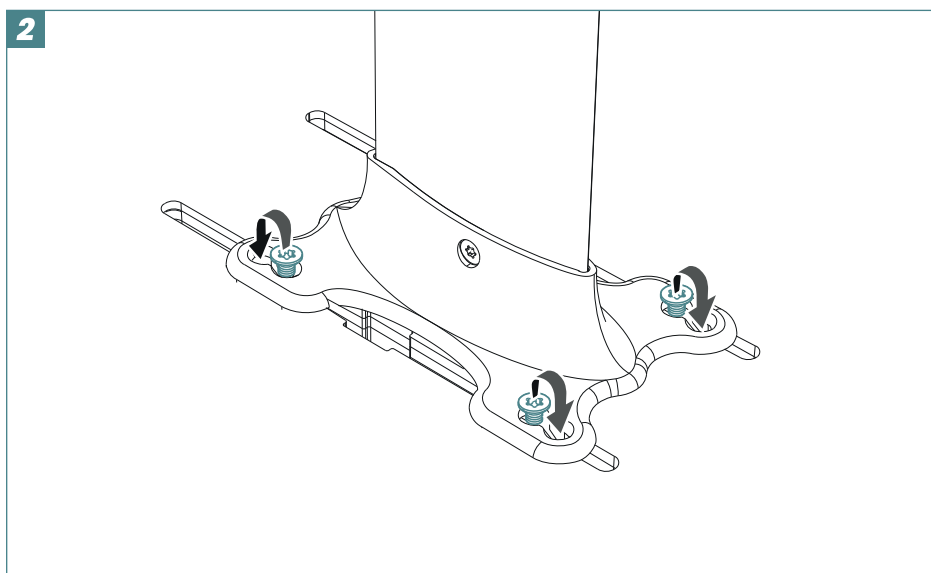
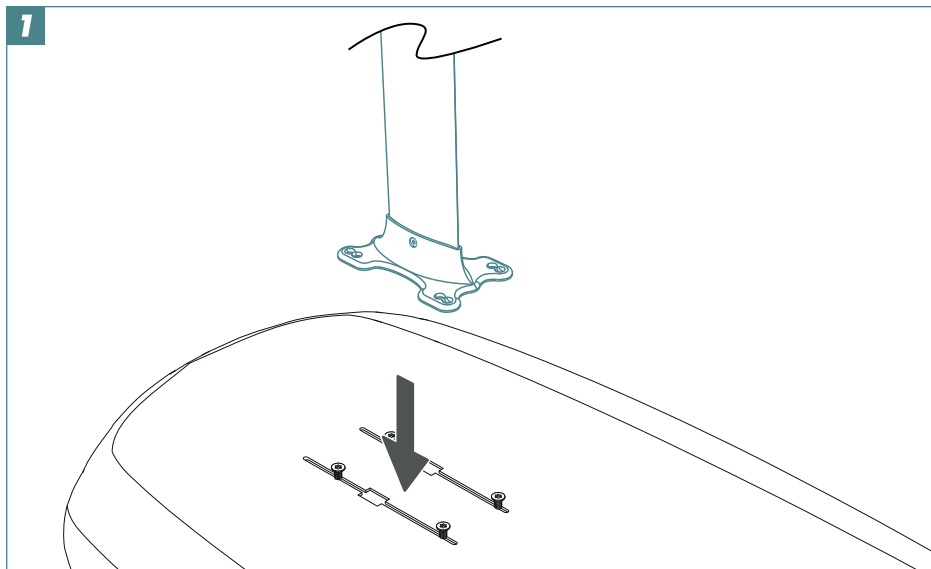


### *Innovative Top Plate Design*

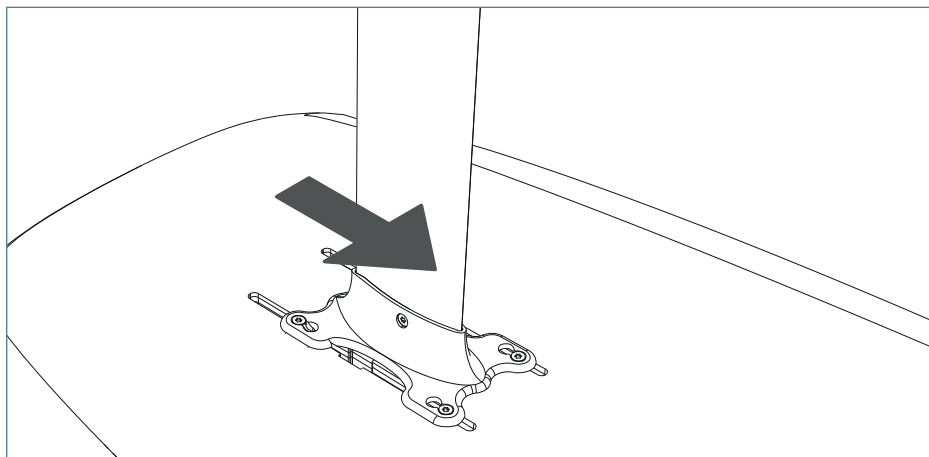
For quick and easy installation, allowing you to maintain the same position each time you reattach the foil.



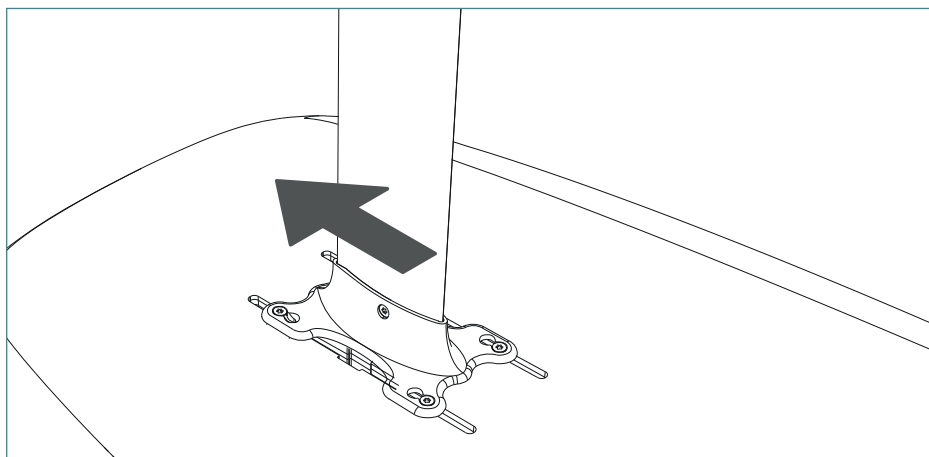




**Optimum position**



**If there is too much lift**



Please refer to our website to review our warranty policy:  
[takuma.com](https://www.takuma.com)



**takuma**  
*fly above water*

**After-Sales Service:**

**[customerservices@takuma.com](mailto:customerservices@takuma.com)**

**Please find our tutorial videos on our youtube channel:**

**<http://youtube.takuma.com>**



**Other languages:**

*Español / Deutsche / Italiano / Português / Polskie / Română / Slovák / Slovenščina / Български / čeština / Русский / Hrvatski / Lietuvių / Magyar / Svenska / 中文 / 日本語*

