

# ESKUTA

THE FUTURE OF URBAN MOTION

 **JUST EAT**

**X-250** SERIES 4



# SX-250 OVERVIEW

**'Walk-mode'**  
allows the SX-250  
to be powered  
without pedalling  
up to 4 mph



Built in  
mirrors

## 48V 26Ah Lithium-ion Battery

Up to 50 miles range\*. Can be charged when  
installed or when removed from the SX-250

LED indicators  
& lighting

LED brake  
light and  
indicators

**Alarm** - with 2 keys,  
immobiliser and  
keyless go system

**Lockable** battery  
housing

**Motorcycle grade**  
tubeless tyres

**Self Adjusting**  
motorcycle  
grade suspension

**Motorcycle grade**  
braking system

**Pedal assist system** - automatically  
engages when pedalled: restricted to  
15.5 mph to comply with EAPC regulations

**Centre stand** - allows the SX-250 to be upright  
when stationary, giving greater stability

\*Battery range figures are quoted as an average and subject to conditions, gradient and rider weight.

# SPECIFICATION SUMMARY



**Range**

Up to 50 Miles\*



**Speed**

15.5 Mph



**Power**

250 WATT



**Display**

Full LCD



**Waterproof**

IP65



**Wheels**

18" Alloys



**Lighting**

Full LED



**Safety**

Disc Brakes

\*Battery range figures are quoted as an average and subject to conditions, gradient and rider weight.

# COST SAVING BENEFITS



**No Insurance**  
Required\*



**No Licence**  
Required



Can ride in  
**bus and**  
**cycle lanes**



**No Road Tax**  
Required



**Only 16+**  
to ride



No fuel required  
**Only 12p**  
**per charge**



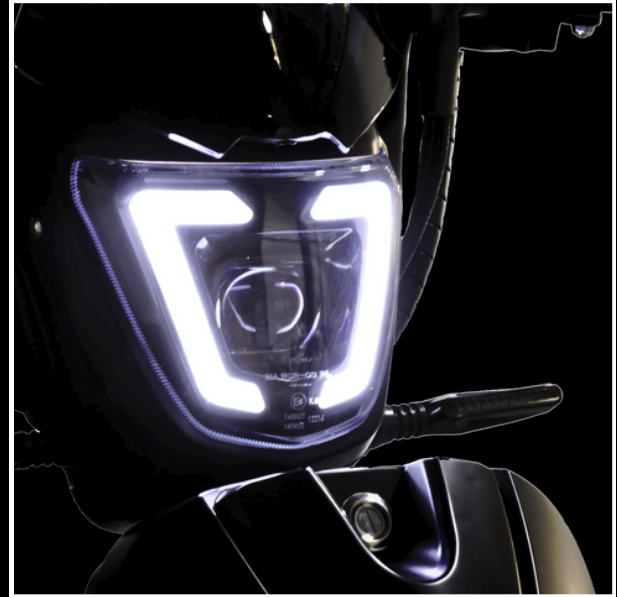
**\*Insurance recommended** - Fully comprehensive commercial e-bike insurance available

INTRODUCING THE NEW  
**JUST EAT TOP BOX MAX**



LOCKABLE & DURABLE  
DELIVERY BOX  
**FREE WITH EVERY  
JUST EAT SX-250**

## 250W BRUSHLESS HUB MOTOR



**LED HEADLIGHT & AND  
FULL BEAM HEADLIGHT**

## LED TAIL LIGHT & BRAKE LIGHT



## LED FRONT & REAR INDICATORS

## SELF ADJUSTING SUSPENSION



## CBS TECH DISC BRAKES





**WALK MODE -**  
4 MPH WITHOUT PEDALLING

**LARGE PADDED SADDLE**



## KEY FOB WITH ALARM & KEYLESS GO FEATURE



CENTER & SIDE **STAND**

**REMOVABLE 48V 26AH  
LITHIUM ION BATTERY**

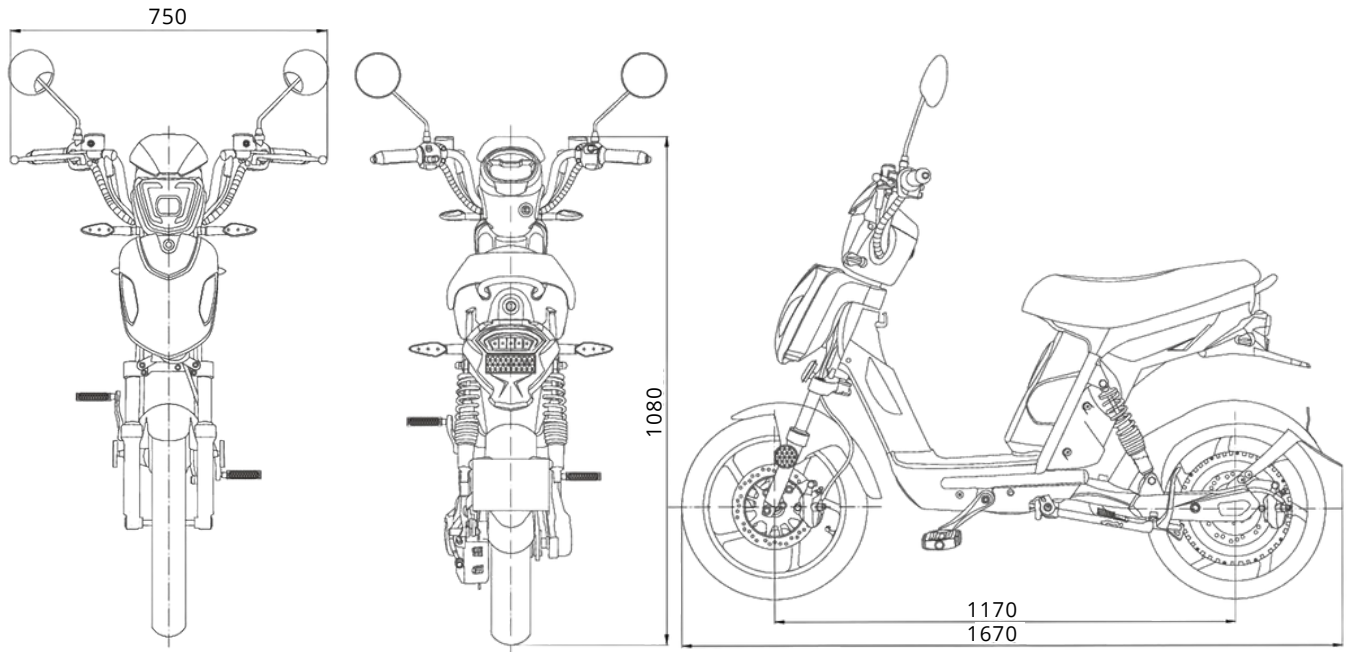


**CAN BE CHARGED  
INSIDE THE BIKE**

# FULL SPECIFICATION

<b>Model No.</b>	SX-250	<b>Waterproof Level</b>	IP65
<b>Certificate/Category</b>	CE Certification/EAPC	<b>Shock Absorber Front/Rear</b>	Fr. Hydraulic Telescopic with Spring & Rr. Gas spring - height adjustable
<b>EEC Classification</b>	EN15954:2017	<b>Brakes</b>	High performance Disc Brakes
<b>Dimension (LxWxH)</b>	1670 X 750 X 1080mm	<b>Tires</b>	Fr. 62/355-18" & Rr. 62/355-18"
<b>Wheelbase</b>	1170 mm	<b>Light</b>	Full LED - with front running light
<b>Seat Height</b>	860 mm	<b>Speedometer</b>	Full LCD
<b>Ground Clearance</b>	228 mm	<b>Battery</b>	48V 26Ah LiniMnCoo2 Lithium-ion
<b>Net Weight</b>	54kgs	<b>Charging Time</b>	6-7 Hours / 2 hours when 30% battery retained
<b>Load Capacity</b>	120kgs	<b>Max Speed</b>	15.5 mph / 25 km/h
<b>Climbing Degree</b>	20 Degrees	<b>Range</b>	40 - 50 miles (approx. 64 - 80 km)
<b>Charging Voltage</b>	AC110V - 230V	<b>Motor</b>	250W high-efficiency brushless hub motor with pedal assist and walk-mode system

# SX-250 DIMENSIONS



# ESKUTA

Eskuta Limited

Email: [contact@eskuta.com](mailto:contact@eskuta.com)

Phone: 02476 350150

Unit 5 Bermuda Innovation Centre,  
St David's Way, Bermuda Park,  
Nuneaton, Warwickshire,  
CV10 7SD



*THE FUTURE OF URBAN MOTION*

