

# Instruction manual

## KOLD S

### Contents

---

1.Foreword.....	2
2.Warnings regarding safety .....	2
3.General Description .....	3
4.Dimensions .....	4
5.Installation and wiring .....	4
6.Warning regarding operation .....	5
7.Operation of the appliance .....	6
7.1.Preliminaries.....	6
7.2.Switching the appliance on and off.....	6
7.3.Adjusting grinding.....	7
7.4.Coffee dose adjustment.....	7
7.5.Pressing (Grinder-Dosers).....	8
8.Appliance maintenance .....	8
8.1.Filter holder fork setting.....	9
8.2.Battery replacement.....	9
8.3.Noise level.....	9
8.4.Safety devices.....	10
8.5.Cleaning the appliance.....	10
9.Disposal .....	12

---

## 1. Foreword

---

Read this manual from cover to cover before using the appliance as it contains important instructions for the safety, operation and maintenance of the appliance.

Look after this manual and keep it in a safe place.

The manufacturer reserves the right to make changes to the product and to the manual.

## 2. Warnings regarding safety

---

**The coffee grinders, grinder-dosers and electronic grinder-dosers are intended for skilled personnel only for professional use and not for household use. The user must be an adult.**

This electrical appliance must be used in conformity with the rules in force governing safe operation:

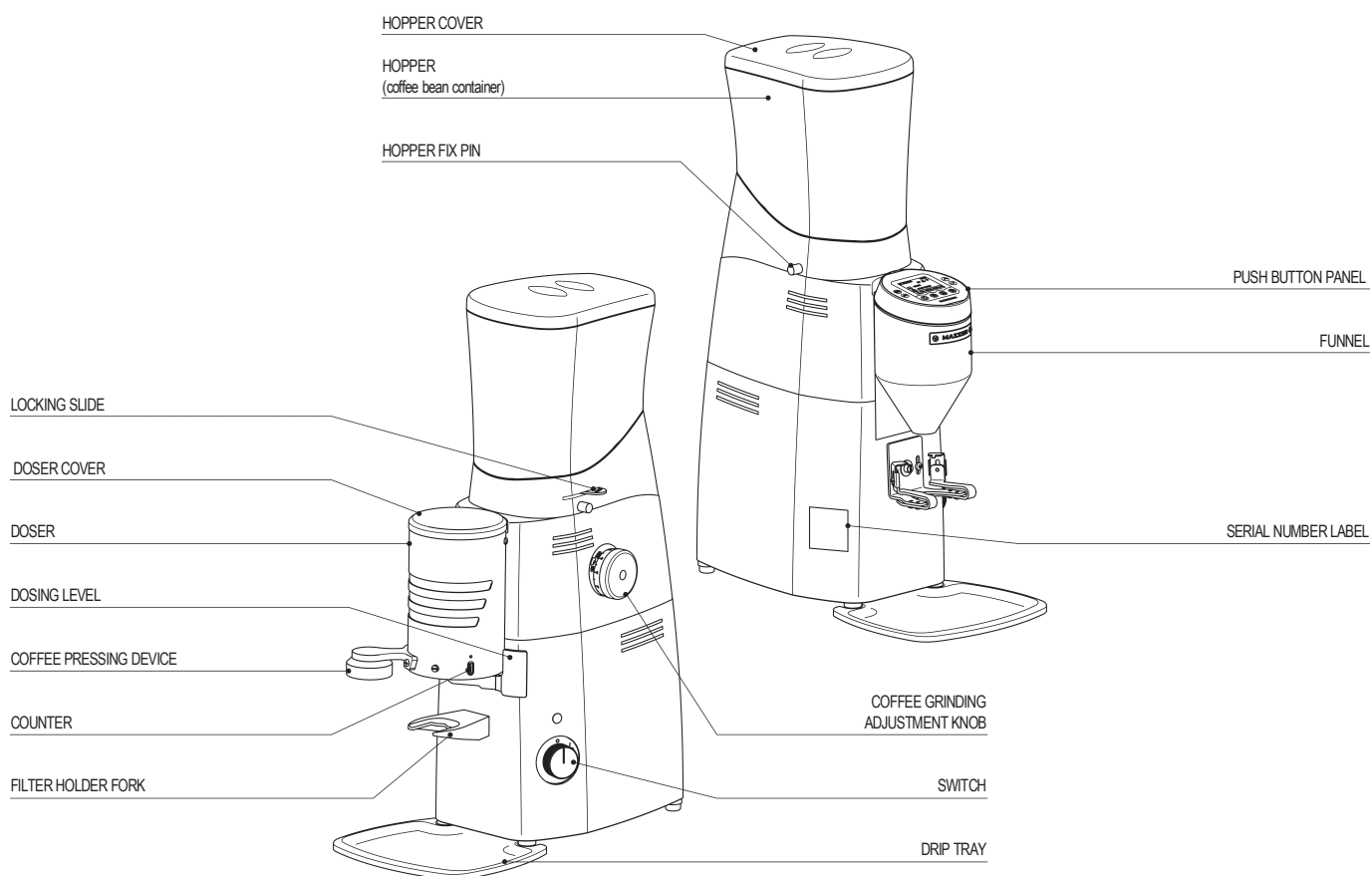
- Do not allow children or incapable persons to use the appliance and/or play with the appliance.
- Grind **solely** coffee beans. Any other use is understood to be improper, and consequently hazardous. Do not use the appliance for grinding other types of food, or anything else.
- Do not use the doser (Grinder-Doser version) to store foods or measure them.
- **When operating the appliance, beware of the moving mechanical parts' in the area of the grinding blades and of the ground coffee outlet. Before removing the hopper from the grinding system, disconnect the power supply. Avoid removing foreign bodies from the grinding system or hopper without first unplugging the appliance from the mains.**
- Take care, as the grinding blades may continue rotating for a short while even after the appliance is switched off.
- **The user is not authorized to remove screws or any parts screwed onto the appliance.**
- In the event the appliance is not working properly or is faulty, contact skilled technical personnel, and do not attempt to make repairs yourself.
- In the event of damage of the power cord or plug, contact skilled technical personnel in order to avoid any hazard.
- **Before performing any work on the appliance, including cleaning and/or maintenance, disconnect it from the power supply by unplugging. The removal of the plug has to be such that an operator can check from any of the points to which he has access that the plug remains removed. Turning off the appliance using its master switch does not assure the same conditions of safety.**
- Do not tamper with the appliance.
- When the appliance is left unattended, the appliance's power supply must be disconnected using its master switch (for example, at night, during work breaks, midweek closing or holidays).
- Do not let liquids of any kind come into contact with the internal or external parts of the appliance.
- Never put ground coffee in the hopper intended only for coffee beans.
- **Do not tug on the supply cable to unplug the appliance from the mains.**
- Do not touch the appliance with damp or wet hands or feet.
- Do not use the appliance barefoot.
- The packaging materials must be kept out of the reach of children as they represent a potential

source of danger. Keep the packaging until the warranty has expired.

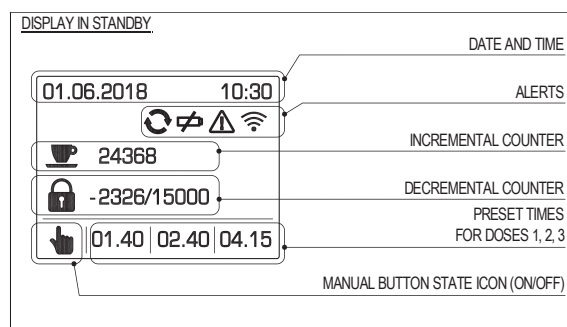
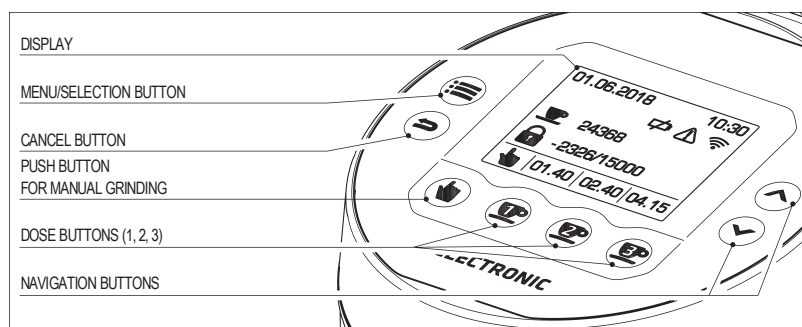
- This appliance is intended for use at maximum altitudes of 2000 meters.
- In event of disposal of this appliance, follow the instructions in chapter 9.

The manufacturer cannot be held responsible for bodily injury or damage to property if these regulations are not complied with.

### 3. General Description



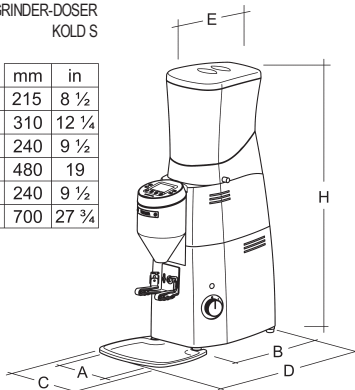
#### Electronic version user interface



## 4. Dimensions

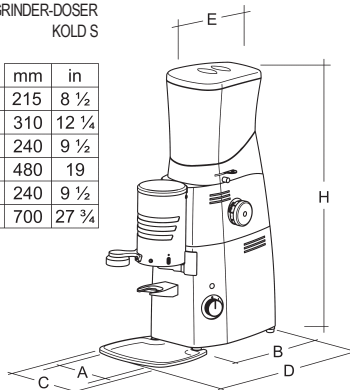
ELECTRONIC  
GRINDER-DOSER  
KOLD S

	mm	in
A	215	8 ½
B	310	12 ¼
C	240	9 ½
D	480	19
E	240	9 ½
H	700	27 ¾



GRINDER-DOSER  
KOLD S

	mm	in
A	215	8 ½
B	310	12 ¼
C	240	9 ½
D	480	19
E	240	9 ½
H	700	27 ¾



## 5. Installation and wiring

Installation and maintenance (as stated in section 8, of this booklet), shall be solely carried out by person having knowledge and practical experience of the appliance, in particular for what is concerning safety and hygiene, in conformity with the safety rules in force. Incorrect installation may result in injury of persons or animals, or damage to property, for which the manufacturer cannot be held responsible.

- On opening the packaging, check carefully to make sure the appliance is intact and that there are no signs of damage. If in any doubt, do not use the unit and contact your service reference.
- The appliance must be placed on a stable, flat surface (we recommend to install the appliance at an height between 80 and 100 cm from the floor).
- Before plugging in the appliance, make sure the voltage and frequency values of the supply mains correspond to the ratings indicated on the label featuring the appliance's technical data.
- The wall socket must be fitted with an efficient earth contact. Consequently, it is essential to make sure the earth system is efficient and in conformity with current safety rules. If in any doubt, have the system thoroughly checked by personnel with the appropriate professional skills.

**It is compulsory to earth the appliance.** The manufacturer cannot be held responsible in the event this regulation is not complied with.

- It is essential to make sure the ratings of the system are suitable for the power absorbed by the appliance - as indicated on the label featuring the technical data - and that the wall socket is protected against overcurrents.
- Do not use extension cables, plug adapters for multiple sockets or makeshift connections.
- In EU member countries, the regulation in force calls for the external equipotential terminal  $\nabla$  on the outer part of the appliance's base plate to be connected to a equipotential node if the installation is to be correct.
- The motor must rotate clockwise. If the rotation of three-phase motors is to be inverted, by inverting

- the two power supply wires inside the plug, this must be carried out by skilled personnel.
- The appliance is suitable for indoor use only. Do not install the appliance outdoors.
  - For an optimal functioning of the appliance a room temperature range from 15°C to 35°C is suggested.
  - Thoroughly clean the appliance at the first installation; follow the instructions in chapter 8.
  - The appliance is not suitable for installation in an area where a water jet could be used.
  - For the correct use of the grinding blades, at the first installation or whenever the grinding blades have been replaced, grind some doses of coffee. Do not use those first doses.
  - The appliance is only to be installed in locations where its use and maintenance is restricted to trained personnel.
  - A minimum clearance of 15 cm (6.0 inches) is required between the grinder and any adjacent walls (or other adjacent appliances). Frontal side must be open.
  - Do not install the appliance near to water dispenser or similar product that could throw water jet on the appliance.
  - In Electronic versions, the filter holder fork must be suitably set according to the instructions in chapter 8.

## 6. Warning regarding operation

---

- Do not leave the appliances turned ON without coffee in the hopper.
- In the Grinder-Doser version, avoid pulling the dosing lever partially, always pull it all the way.
- When adjusting the grind (grind setting point), do not put the grinding blades (burrs) in touch when motor is turning. This will damage the grinding blades (burrs) and affect the grind quality.
- Do not insert, when filling the hopper with coffee beans, foreign objects. Handle with clean hands.
- After any hopper filling and in normal use of the appliance, the hopper lid must be positioned correctly.
- Do not beat the screen with your fingers or other objects that could damage it.
- In the Electronic Grinder-Doser version, for the appliance to function at its best, on its first installation and every time the hopper is cleaned, after having ground a few coffee doses, clean the inner surface of the funnel with a dry brush.
- OPERATING RANGE OF THE MOTOR

**In the versions with single-phase motors, observe the duty cycle stated in the label located on the side of the appliance.**

E. g. : a data on the label 35s ON / 45s OFF points out an allowed duty cycle of 35 seconds switched on and 45 seconds switched off.

**Appliances with three-phase motors are allowed for continuous working.**

In order to achieve good grinding, it is nonetheless recommended to operate the appliance at intervals, allowing it to operate for no more than 10-15 minutes at a time.

## 7. Operation of the appliance

### 7.1. Preliminaries

Make sure the hopper is positioned correctly on the appliance and fixed to the body with the relevant pins.

Close the locking slide and fill the hopper with coffee beans. Open the locking slide so that the beans are allowed to drop into the grinding system.



### 7.2. Switching the appliance on and off

#### Automatic Grinder-Dosers

In order to power up the appliance, turn the on-off switch knob to I.

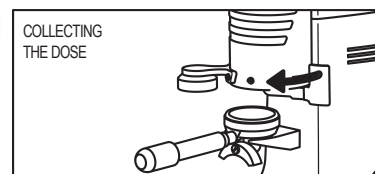
The appliance starts automatically every 12 portions of coffee. It switches off automatically when the doser is filled with ground coffee. In order to switch the appliance on manually, the switch knob must be turned all the way (to ► position).

In order to collect the portions of ground coffee dispensed, insert the coffee machine's filter holder all the way onto the fork-shaped support under the ground coffee outlet.

In order to release a portion of ground coffee, the doser lever must be pulled all the way and allowed to return on its own. Pull twice in a row for a double portion.

If the fall of the coffee is not centred correctly in the filter, it is possible to adjust the position of the fork according to the instructions in chapter 8.

In order to switch off the appliance manually, set the on-off switch knob to O.

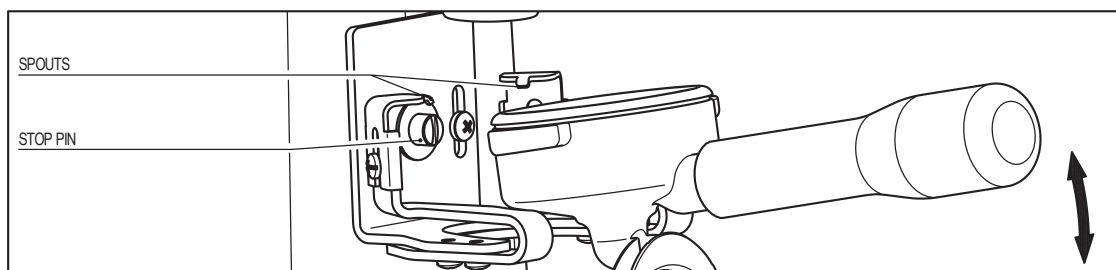


#### Electronic Grinder-Dosers

In order to power up the appliance, set the on-off knob to I.

The electronic grinder-dosers are equipped with a fork which allows the coupling of the filter holder. This fork, which is suitable for most filter holder shapes and diameters, must be suitably set according to the instructions in chapter 8.

Position the filter holder, pushing it until it touches the stop pin and secure it using the appropriate spouts. It is recommended that you keep the filter holder slightly inclined, and straighten it once it has reached the stop pin.



Coffee grinding and dosing takes place by pressing one of the dose buttons (☰, ☷ or ☶); grinding continues for the time set for the selected dose button. During grinding, the display shows the symbol of the selected dose, grinding progress (by means of a visual representation), and grinding time. To cancel the grinding in progress, press the Cancel button (⏏).



During grinding, if necessary, press the button of the selected dose to pause grinding for 30 seconds; the symbol || is shown on the top left of the display. To resume grinding, press again the button of the selected dose. If grinding is not restarted within 30 seconds, the dose will be cancelled.

The grinding pause can be automated, for each of the dose buttons, so as to stop grinding upon reaching a customizable percentage of dose time. If this option is enabled, the top right of the display shows the percentage of pause activation (e.g. 60%). The pause will be automatically activated when this value is reached. To resume grinding, press again the button of the selected dose. If grinding is not restarted within 30 seconds, the dose will be cancelled.

One can manually activate the appliance keeping pushed the push button for manual grinding (☷). Hold down the push button for manual grinding and the grinder will grind until you lift the finger. We suggest to use the push button for manual grinding to adjust the grinding of the appliance.

The counters on the display increment/decrement by one unit for each dose 1 (☰) completed and by two units for each dose 2 (☲) completed. For each dose 3 (☱), for each dose cancelled and for each manual dose (☛), the counters increment/decrement according to the ratio between the actual time of grinding and the time set for dose 1 (☰).

In order to switch off the appliance turn the knob of the switch to O.

Please refer to the guide "ELECTRONIC INTERFACE" for details on the operation and for the advanced features of the display.

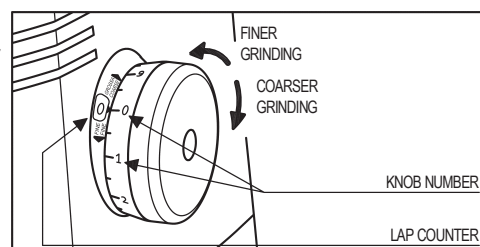
### 7.3. Adjusting grinding

In order to achieve finer or coarser grinding, the knob located on the side of the grinder-doser must be adjusted using the relevant handle. In order to increase the coarseness of the ground coffee, the knob must be rotated clockwise; to decrease, turn the knob anticlockwise. Indicatively, a 1 number rotation of the knob corresponds to a variation in the brewing time of the espresso machine of 3 seconds.

The adjustment must be performed with the motor on, and preferably without any coffee between the grinding blades. Grind small amounts of coffee in order to determine the optimal degree of fineness.

In the Electronic Grinder-Doser version, before checking the fineness of the ground coffee, grind some doses of coffee to fill the duct between the grinding area and the outlet. This operation must be done whenever the grinding setting has been changed in order to empty the duct of the previous ground coffee. The change of the grinding setting might vary the weight of the doses. Therefore adjust the doses only after the grinding setting.

In the Grinder-Doser and Electronic Grinder-Doser versions, if the coffee comes out of the espresso coffee machine very quickly, it means the coffee is ground too coarse. Vice versa, if it comes out too slowly, it means the coffee is ground too fine. Nonetheless, bear in mind that there are many conditions liable to influence the correct supply, such as the weight of the portions, the compacting, the espresso machine settings, and the cleaning of the filters.

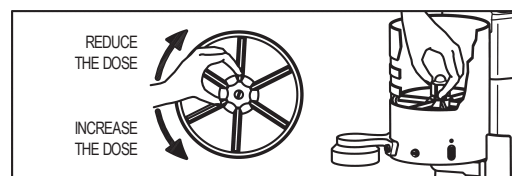


### 7.4. Coffee dose adjustment

#### Grinder-Dosers

In order to adjust the size of the portion dispensed, the small knob located in the centre of the ground coffee storage container must be turned while holding still the star shaped dosing unit.

By turning the small knob clockwise, the portion is reduced. Turning it anticlockwise results in an increase.



#### Electronic Grinder-Dosers

Coffee dosing in electronic appliances is time-managed, the higher the time set, the greater the weight of the dose. It is possible to set three different grinding times, associated to the buttons ☰, ☲ and ☱.

Before setting the dose, you should adjust correctly the grain size of the ground coffee.

To adjust dosing, proceed in the following manner:

1. Press in sequence the menu button (☰) and the button of the dose you want to adjust (☰, ☲ or ☱). The display shows the screen to change the time for the selected dose.
2. Use the navigation buttons (⬆ or ⬇) to increase or decrease the dose time. Approximately, a change of 0.10 seconds is equivalent to a change of dose of 0.5 grams (0.02 ounces).
3. Press menu button (☰) to confirm the new time. Instead, press the Cancel button (☛) to exit the procedure without saving the changes.
4. Use a digital precision scale to check the weight of the dose and, if necessary, repeat above mentioned operation.



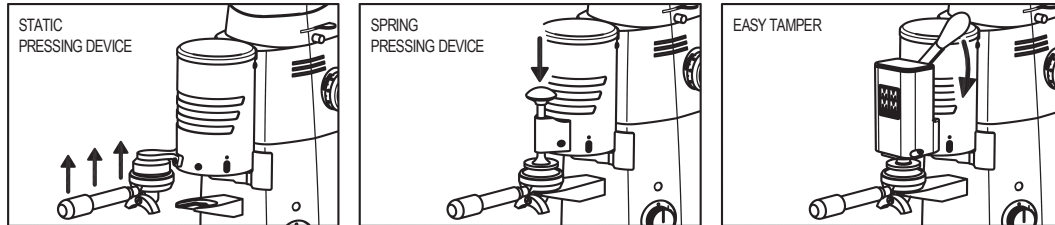
**When you are inside the adjusting program it is not possible to operate the appliance.**

## 7.5. Pressing (Grinder-Dosers)

STATIC PRESSING DEVICE: place the filter holder against the underside of the pressing device and push upwards.

SPRING PRESSING DEVICE: place the compacting disk against the upper face of the filter holder inserted in the fork-shaped support and press down on the spring pressing device knob.

EASY TAMPER: place the filter holder on the fork aligned with the pressing disc and pull down the lever up to the support of the pressing disc on the edge of the filter holder.



## 8. Appliance maintenance

**Instructions stated in this section shall be solely carried by persons having knowledge and practical experience of the appliance, in particular for what is concerning safety and hygiene, after disconnecting the appliance from the mains supply by removing the plug from the power outlet.**

In order to assure the lasting efficiency of the appliance, skilled technical personnel must be called in to perform periodical maintenance, including detailed checks of the state of those components subject to wear.

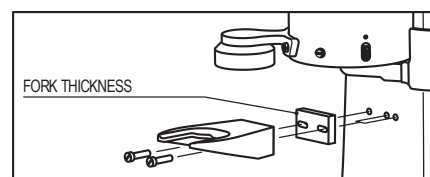
- It is recommended to use original spare parts only.
- It is essential to check monthly the state of the supply cable and plug periodically.  
In the event the supply cable or plug are damaged, call in skilled technical personnel to replace them, this to prevent any risk.  
In CEE-certified appliances, a special tool is required to open the base plate to get at the cable.
- For an optimal functioning of the appliance a room temperature range from 15°C to 35°C is suggested.
- Grind solely coffee beans. Any other use is understood to be improper, and consequently hazardous. The manufacturer cannot be held responsible for any damage as a result of improper or incorrect use. Do not use the appliance for grinding other types of food, or anything else.
- We recommend to check periodically the state of the grinding blades. Keeping the grinding blades in an excellent state assures high-quality grinding, resulting in greater productivity and limited overheating.  
For the correct use, whenever the grinding blades have been replaced, grind some doses of coffee. Do not use those first doses.
- The electronic grinder-doser is equipped with a notification system that warns when it is time to replace the grinding blades. The correct operation of this function is guaranteed only with the use of genuine grinding blades
- The appliance is equipped with a belt drive, which transmits the movement from the motor to the grinding blades. To restore the correct tightening of the belt, it is necessary a suitable test instrument.  
If you do not have the test tool, do not change belt tightening, otherwise you risk to endanger the durability of the belt and of the components of the drive.



## 8.1. Filter holder fork setting

### Grinder-Dosers

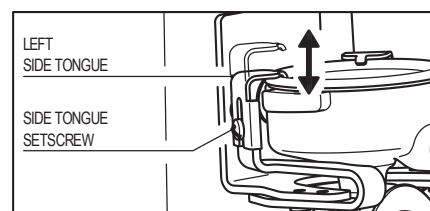
For the coffee to fall on the filter holder, the support fork can be moved sideways using the two holes that allow the best placement. If necessary, use shims (included in the package) to back the position of the fork. After finding the best position, fix the fork with the appropriate screws.



### Macinadosatori elettronici

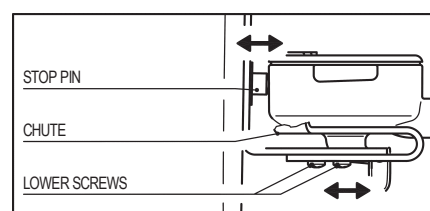
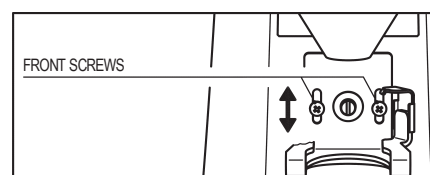
To allow the correct engagement of the filter holder, the fork must be set using the side tongues. Loosen the setscrews of the side tongues and place the filter holder on the fork. Rest the side tongues on the top surface of the filter holder and secure them again.

If, even by placing the tongues at the maximum height allowed, spouts are too low in relation to the top surface of the filter holder; replace the tongues and use the longer ones available within the packaging.




It is also possible, in order to centre the fall of coffee inside the filter, to adjust the position of the filter holder in both height and depth.

- To change the height of the fork, loosen the front setscrews of the base. Place the whole fork at the desired height and secure again the front screws.
- The position in terms of depth of the filter holder is ensured by the stop pin. Screw/unscrew the stop pin to change the depth of the filter holder.
- Finally, to avoid filter holder retraction from the desired position, you must set the position of the chute. Loosen the lower setscrews of the chute, position it so that the hooking spouts avoid filter holder retraction and secure again the lower screws.

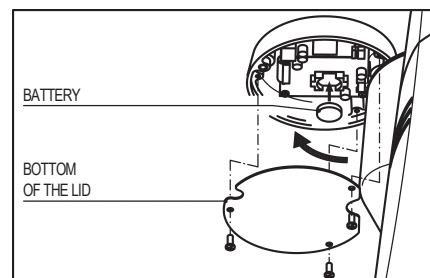


## 8.2. Battery replacement

If you see the following red icon on the display , this means the buffer battery (which powers date and time system), is almost exhausted. The battery is indispensable for a correct use of statistics and cloud functions, if available and enabled.

Here is how to proceed to replace the buffer battery:

- Rotate the user interface lid by 180° as shown in the picture;
- Take off the bottom of the lid removing the 3 fixing screws;
- Remove the old battery and replace with a new one, same specifications (CR2032 battery);
- Put back in place the bottom of the user interface lid and fix it with its screws;
- Rotate back to the normal position the user interface lid.



## 8.3. Noise level

### European Union:

The daily personal noise exposure of a worker, due ONLY to an appliance's limit operation of 240 minutes per eight hours, is 74dB(A) ± 2.2dB(A) (valued as acoustic pressure).

According to European Directive 2003/10/EC, during the appliance's normal operation, no provisions are to be taken in order to prevent such risks arising or likely to arise from noise exposure at work.

### USA & Canada:

The noise level of our appliances is included within the limits stated in U. S. regulation 29 CFR 1910. 95 ('Occupational Health and Environment Control - Occupational noise exposure') for eight hours continuously in a day (in reference to a noise exposure due solely to appliance operation).

Said noise level has been determined on identical news appliances.

## 8.4. Safety devices

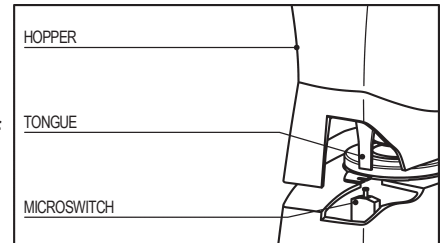
### Thermal overload protection

The appliance's motor is protected against overheating resulting from overcurrents by a thermal overload protection which, when tripped, cuts off the power supply to the motor. Should the protection trip as a result of anomalous operation, such as the grinding blades jamming, the appliance must be turned off using the on-off switch, **unplugged from the mains, and skilled technical personnel contacted. Never perform any work on the appliance while it is attached to the mains, to avoid the risk that motor turns on suddenly.** If the appliance overheats as a result of the motor stopping, allow the appliance to cool down before performing any repair work.

### Motor locking microswitch

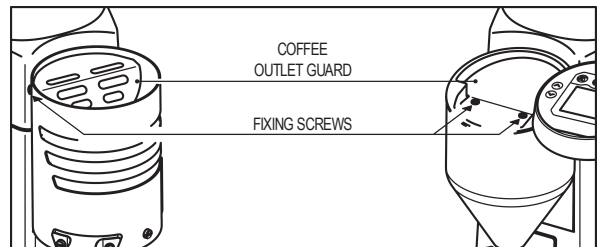
The system that protects against accidental contact with the rotating parts of the grinding system consists of a microswitch, situated under the body of the appliance, that cuts the electricity to the motor.

The push button that controls this device is operated by a tongue in the collar of the hopper. If the hopper is removed or not properly in place, the microswitch prevents the appliance from working. To ensure the hopper is positioned correctly it must be fixed to the casing using the relevant pin on the collar.



### Coffee outlet guard

The coffee outlet guard must always be fixed to the doser (Grinder-Dosers), or to the funnel (Electronic Grinder-Dosers), using the relevant screws, which must never be removed by the user. **The removal of the coffee outlet guard can be done by skilled technical personnel only after disconnecting the appliance from the power supply by unplugging.** Before reconnecting the appliance to the power supply, fix the safety device to the doser, or to the funnel, by relevant screws.



## 8.5. Cleaning the appliance

The appliance must not be cleaned using water jets. Do not install the appliance in rooms where water jets are used for cleaning.

**The appliance must be cleaned weekly by skilled technical personnel only.**

Use perfectly clean, disinfected cloths or brushes for cleaning.

Do not use abrasive products as these are liable to take the sheen off shiny parts.

### Hopper

Wash the hopper once it has been removed from the appliance, using neutral soap and water, rinse abundantly with lukewarm water and dry thoroughly. It is advisable to clean the hopper periodically. Once the hopper has been cleaned it must be put back on the appliance properly, fixing it with the relevant pin.

### Grinder-Dosers cleaning

Remove the hopper and, after having unscrewed the relevant screws, remove the upper grinding blade holder.

Thoroughly clean the upper grinding blade holder, the grinding blades and the entire grinding system, using a dry brush and cloth. To ensure a perfect alignment of the grinding blades and achieve an ideal grinding, it is recommended to thoroughly clean all mating surfaces.

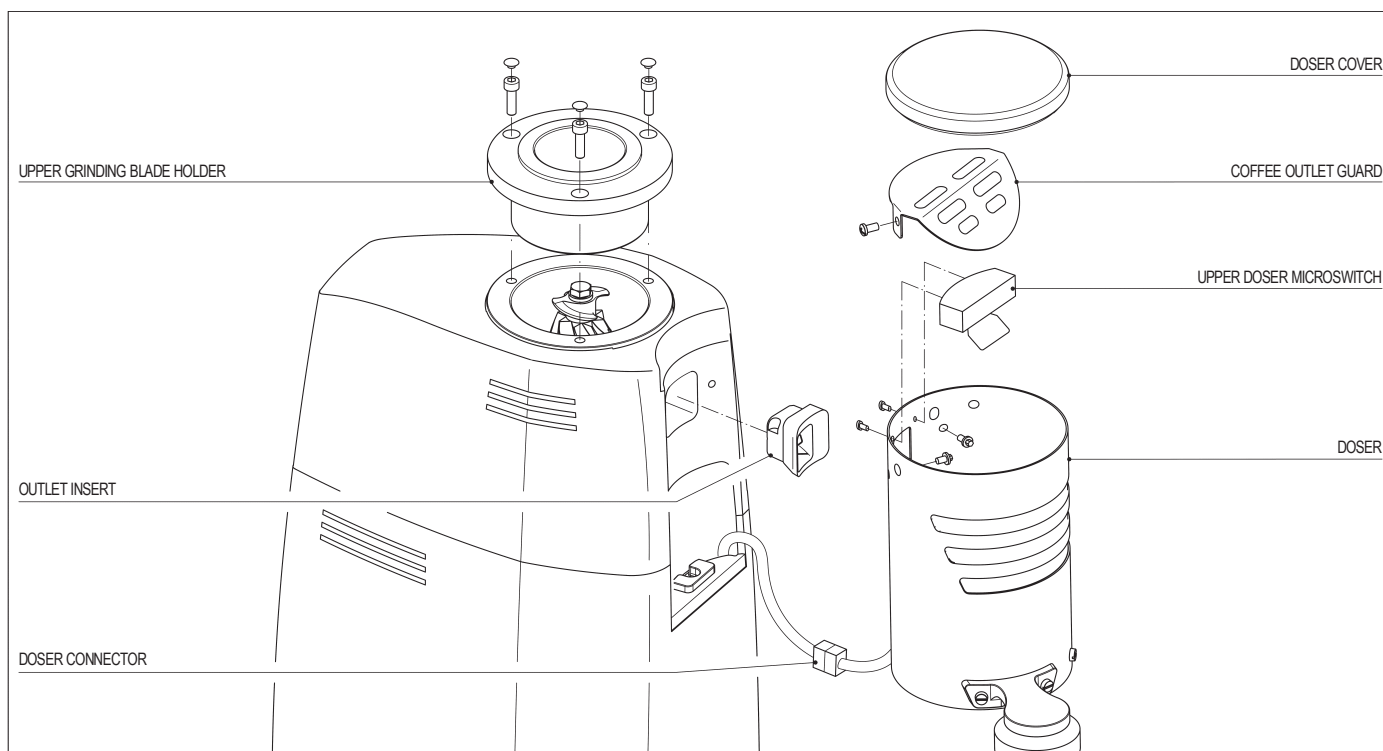
Remove from the doser the ground coffee by pulling repeatedly the doser lever.

After removing the doser cover, clean the internal surfaces of the doser using a dry brush and cloth; remove the material removed by pulling the doser lever. Thoroughly clean on the bottom of the doser the exit hole of the ground coffee with a dry cloth.

Remove the coffee outlet guard after having unscrewed the relevant setscrews on the sides of the dosing assembly.

After unscrewing the setscrews of the dosing assembly, remove it taking care to disconnect the connector.

Remove the upper microswitch of the doser after having unscrewed the relevant setscrews, and pull out the outlet insert.

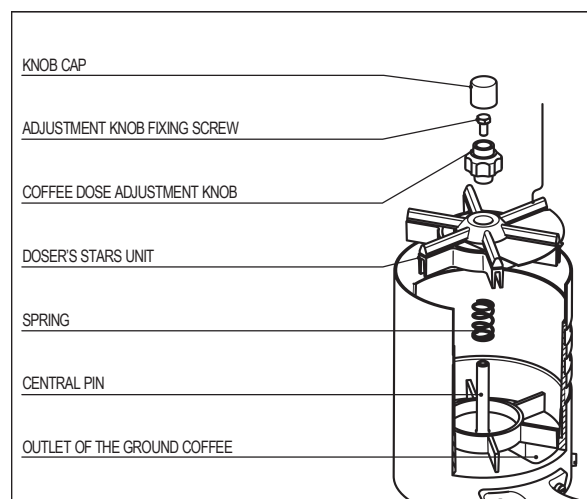


Thoroughly clean the outlet insert and the upper microswitch using a dry brush and cloth.

For a thorough cleaning of the dosing assembly, follow the instructions below:

- Remove by unscrewing the knob cap;
- Unscrew the hexagonal-head screw that fix the coffee dose adjustment knob;
- Unscrew (anticlockwise) the coffee dose adjustment knob holding the doser's stars unit pushed down;
- Remove from the central pin the dosing stars assembly;
- Remove the spring from the central pin;
- Clean thoroughly the bottom of the doser, especially the sharp edges on sight and the outlet of the ground coffee;
- In order to reassemble the doser, follow the previous instructions in inverted order; pay attention that the feather of the coffee-outlet covering section plate is correctly set in the proper slide on the side of the basin.

Secure the top microswitch using the relevant screws. Reinsert the outlet insert into its seat and, after restoring the connector, secure the dosing assembly to the appliance using the relevant screws. Refit the coffee outlet guard, securing it appropriately with the appropriate screws. After replacing the upper grinding blade holder on the tray, tighten the screws. Refit the hopper properly.



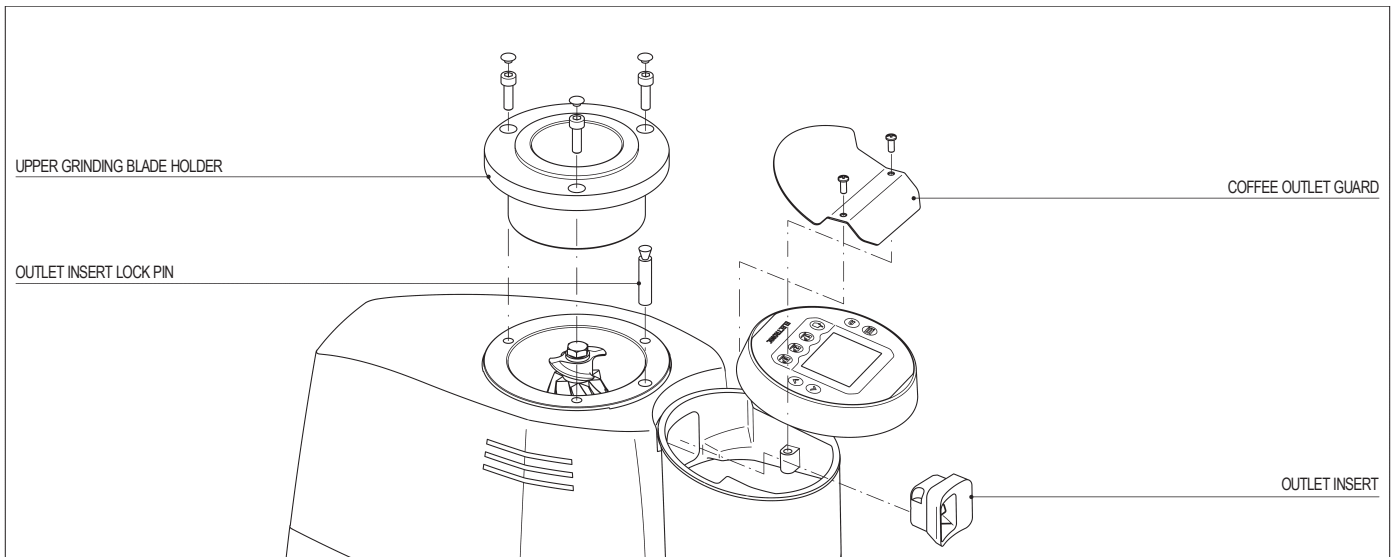
### Electronic Grinder-Dosers cleaning

Remove the hopper and, after having unscrewed the relevant screws, remove the upper grinding blade holder. Rotate counterclockwise the display cover, and remove the coffee outlet guard. Remove the locking pin and pull out the outlet insert.

Thoroughly clean the upper grinding blade holder, the grinding blades, the outlet insert, the entire grinding system, the funnel and its cover, using a dry brush and cloth.

Be very careful when cleaning the outlet insert not to damage or deform its internal metal wire.

To ensure a perfect alignment of the grinding blades and achieve an ideal grinding, it is recommended to thoroughly clean all mating surfaces.



Reinsert the outlet insert into its seat and secure it with the lock pin. Refit the coffee outlet guard, securing it appropriately with the appropriate screws. Refit the cover turning it clockwise by 180°. After repositioning the upper grinding blade holder in its seat, fully screw the setscrews. Refit the hopper securing it appropriately.

## 9. Disposal

Do not litter: dispose of the packaging materials according to the laws in force.

Should you decide not to use the appliance any more, remember to unplug it so that it cannot be used, and then cut the cable in the point where it comes out of the appliance.

Contact specialized firms for information on the disposal of the components of the appliance.

### INFORMATION FOR USERS RESIDING IN THE EUROPEAN UNION



Pursuant to art. 26 of Legislative Decree of March 14, 2014, no. 49: "Implementation of Directive 2012/19/EU on Waste Electrical and Electronic Equipment (WEEE)."

The crossed bin symbol shown here and on the equipment or its box indicates that, at the end of its useful life, the product (EEE) must be collected separately from other waste, with prohibition of disposal with mixed waste.

For more information, visit [www.mazzer.com](http://www.mazzer.com).

## NOTES

---

**Mazzer Luigi S.p.a.**

Original instructions. All right reserved. It is prohibited to reproduce, adapt or translate this document without prior written authorization.

First Edition:

IKL0L0040 - 02/2019