

TPOLOGY					<i>Steam Tap CAM Version</i>	N° 90/2022
<input checked="" type="checkbox"/>	<input checked="" type="checkbox"/>	<input type="checkbox"/>	<input type="checkbox"/>	<input type="checkbox"/>		
Idr	Mc	Elet	Fnz	Est		
KEY WORDS Steam tap					SOLUTION New CAM version	MODEL F18/F18SB

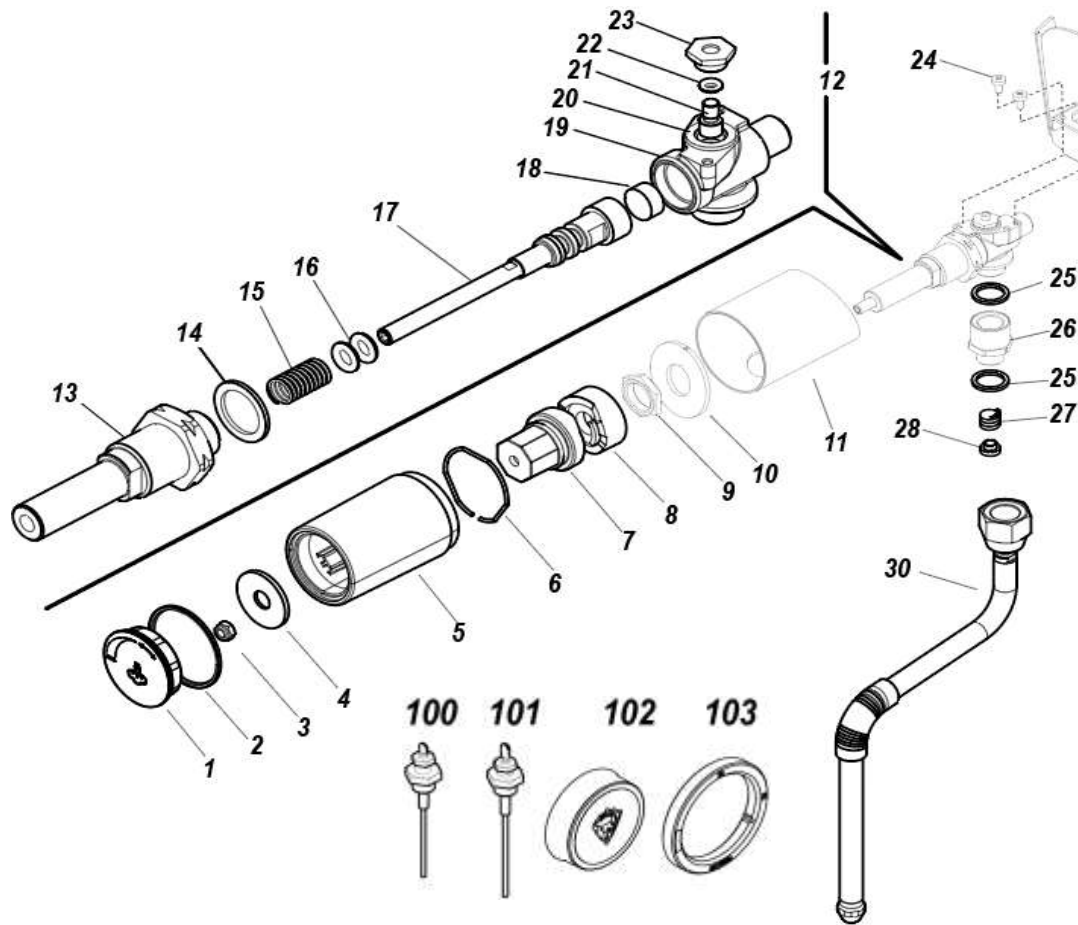
DESCRIPTION AND ATTACHMENTS:

Starting from **week2 2023** , we have introduced a new steam tap cam version. This new system will be implemented to our models F18SB and F18.

Below all updated spare parts kits.

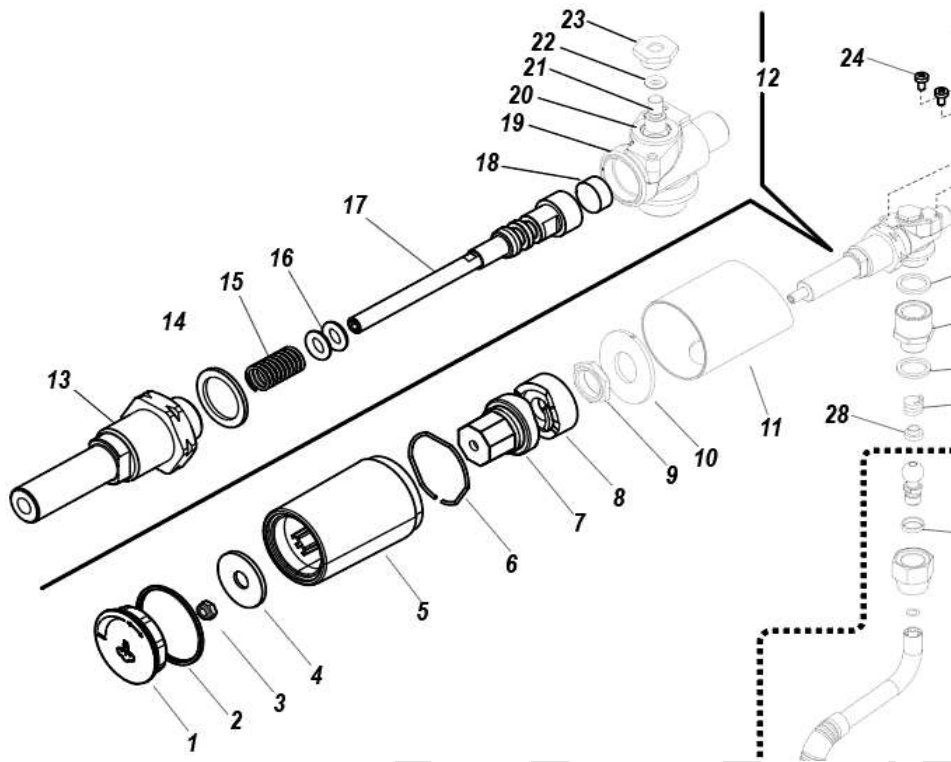
KITPMF18UPGR F18 SERVICE KIT

POSITION	PART NUMBER	DESCRIPTION	QTY
1	10041912B	STEAM TAP KNOB LID	2
5	10092190A	STEAM TAP KNOB	2
6	10041919	STEAM TAP SPRING	2
2	10092194	STEAM TAP KNOB RING	2
8	10041944B	FIXED STEAM TAP CAM	1
7	10041946	DYNAMIC STEAM TAP CAM	1
13	10403162B	CAM SYSTEM SUPPORT	2
16	10505097	OR 3024 6,02X2,62 HNBR FDA	4
14	10806324	COPPER WASHER 3/8" D17X23X1.5	2
17	10403168	STEAM TAP THREADED SHAFT	2
17	10403166	STEAM TAP GASKET SUPPORT	2
4	10809002	WASHER D6.4X24X2 PIANA ZN	2
16	10505097	OR 3024 6,02X2,62 HNBR FDA	2
19	10041940A	STEAM TAP BRASS BODY	2
20	10852244	COPPER WASHER 1/8" D.10,2X14X1,5MM	2
21	10402892	ANTIVACUUM VALVE PIVOT N/SEEGER----	2
22	10302048A	OR 2012 VITON FDA D.2,9X1,78 E.BAS.25X	2
23	10402880	ES13 ANTIVACUUM VALVE AISI303 FITTING	2
14	10806324	3/8" D17X23X1.5 COPPER WASHER	2
100	10112059C	TL10/B105mm FTFL OT57 LEVEL PROBE	1
101	10112064A	TL10/B 120mm TFL OT57 LEVEL PROBE	1
102	10053060	IBEX LOGO GROUP SCREEN SHOWER	3
103	10502160	H8,5 GROUP HEAD GASKET	3
27	10402731A	F18 TALL COOL TOUCH STEAM WAND	2
24	10402741	F18 STEAM WAND PEEK	2
23	10402742	F18 COOL TOUCH STEAM WAND SPRING	2
21	10402744	F18 STEAM WAND PTFE GASKET	4
14	10402014	STEAM TAP SHAFT SPRING	2
16	10505558	STEAM TAP SILICONE GASKET	2
2	10802516	M6 SELF LOCKING NUT	2



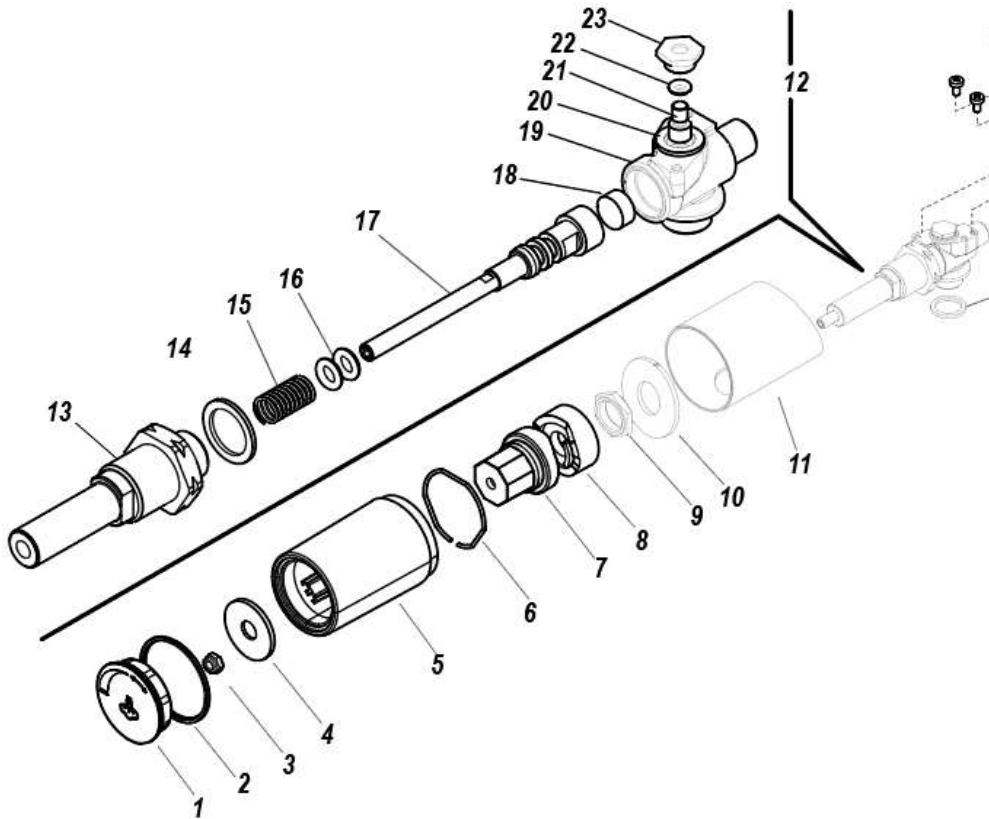
KRUBMANF18NT F18 CAM STEAM TAP + KNOB KIT

POSITION	PART NUMBER	DESCRIPTION	QTY
5	10041910A	STEAM TAP CAM KNOB	1
1	10041912B	STEAM TAP CAM KNOB LID	1
6	10041919	STEAM TAP CAM KNOB SPRING	1
8	10041944B	FIXED STEAM TAP CAM	1
7	10041946	DYNAMIC STEAM TAP CAM	1
2	10092194	STEAM TAP KNOB RING	1
3	10802516	M6 SELF LOCKING NUT	1
4	10809002	WASHER D6.4X24X2 PIANA ZN	1
17	10403168	STEAM TAP THREADED SHAFT	1
17	10403166	STEAM TAP GASKET SUPPORT	1
13	10403162B	CAM SYSTEM SUPPORT	1
16	10505097	OR 3024 6,02X2,62 HNBR FDA	2
14	10806324	COPPER WASHER 3/8" D17X23X1.5	1
14	10402014	STEAM TAP SHAFT SPRING	1
16	10505558	STEAM TAP SILICONE GASKET	1



KITRUBMANF18 F18 CAM STEAM TAP + KNOB FULL KIT

POSITION	PART NUMBER	DESCRIPTION	QTY
19	10041940A	STEAM TAP BRASS BODY CAM	1
5	10041910A	STEAM TAP CAM KNOB	1
1	10041912B	STEAM TAP CAM KNOB LID	1
6	10041919	STEAM TAP CAM KNOB SPRING	1
8	10041944B	FIXED STEAM TAP CAM	1
7	10041946	DYNAMIC STEAM TAP CAM	1
2	10092194	STEAM TAP KNOB RING	1
3	10802516	M6 SELF LOCKING NUT	1
4	10809002	WASHER D6.4X24X2 PIANA ZN	1
17	10403168	STEAM TAP THREADED SHAFT	1
17	10403166	STEAM TAP GASKET SUPPORT	1
13	10403162B	CAM SYSTEM SUPPORT	1
16	10505097	OR 3024 6,02X2,62 HNBR FDA	2
14	10806324	COPPER WASHER 3/8" D17X23X1.5	1
14	10402014	STEAM TAP SHAFT SPRING	1
16	10505558	STEAM TAP SILICONE GASKET	1
20	10852244	COPPER WASHER 1/8" D.10,2X14X1,5MM	1
21	10402892	ANTIVACUUM VALVE PIVOT N/SEEGER----	1
22	10302048A	OR 2012 VITON FDA D.2,9X1,78 E.BAS.25X	1



All components highlighted in bold in the pictures above are included in the related kit.

Application topic

MACHINE SERIAL NUMBER: N.D.

Traditional Multiboilers Grinders Glass washer Accessories

Technician Name
Andrea Fossaluzza

Date
December 20, 2022

SANREMO Coffee Machines S.r.l.

Via Bortolan, 52 Zona ind. Treviso Nord
31050 Vascon di Carbonera (TV)
tel.+39 0422 448900 / fax +39 0422 448935

ISTRUZIONI DI MONTAGGIO RUBINETTO VAPORE F18 - F18SB

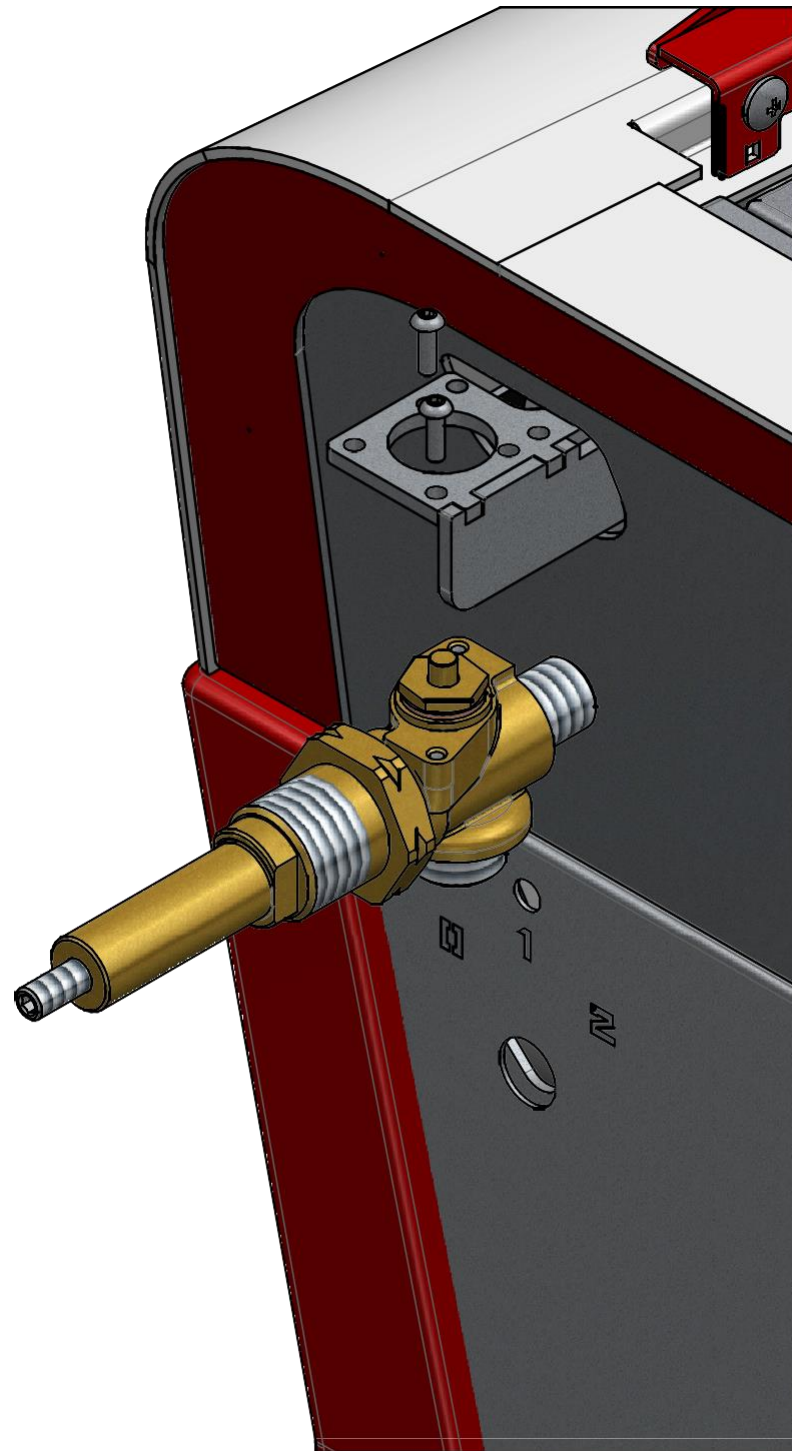
F18 - F18SB STEAM TAP INSTALLATION SEQUENCE



STEP 1

Avvitare il rubinetto vapore alla staffa di supporto

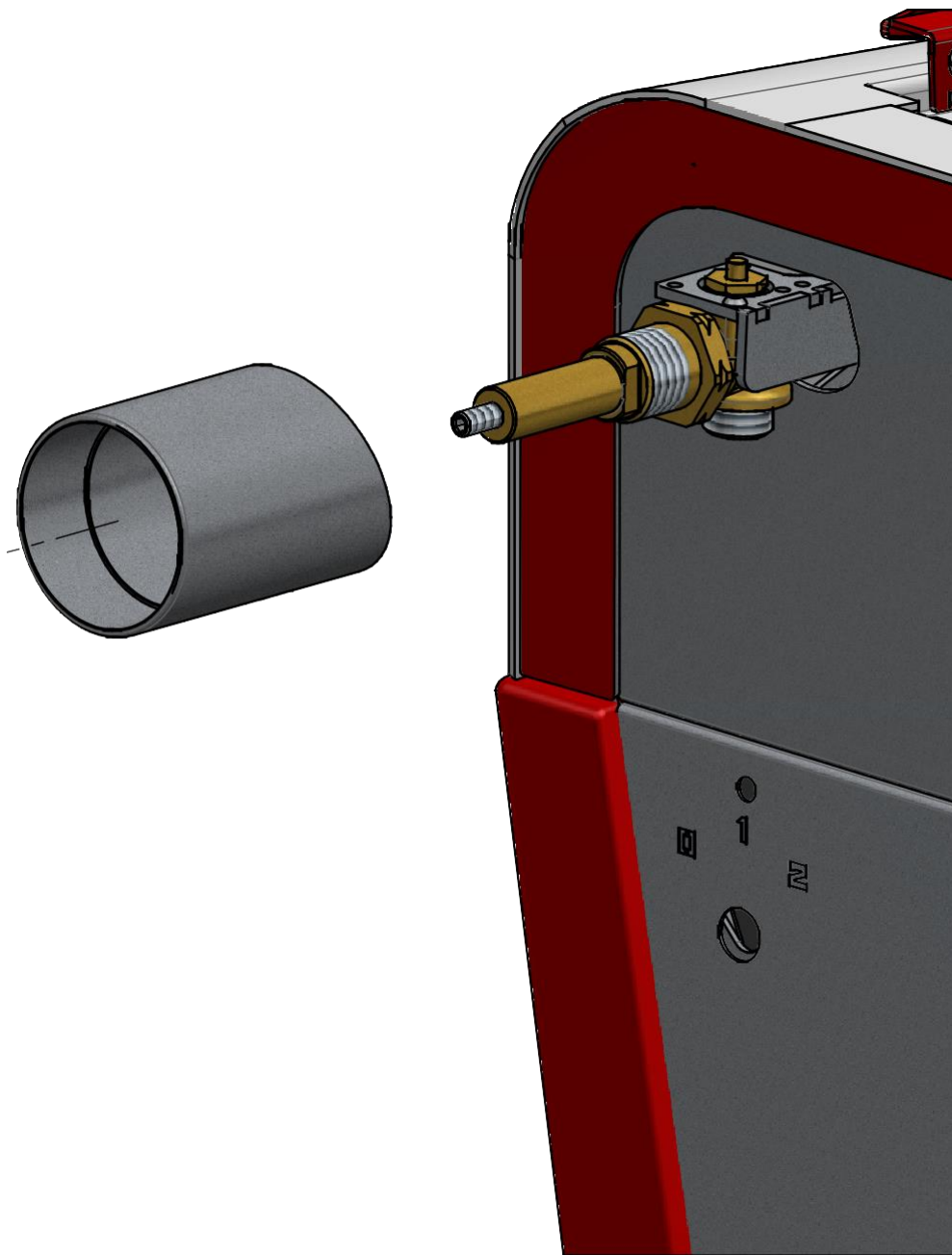
Fix the steam tap to the support with n°2 M3x10 stainless steel screws



STEP 2

Inserire il tubo camicia

Connect the steam tap to the steam outlet pipe.
Fit the insulation cover, but do not fix it to the tap

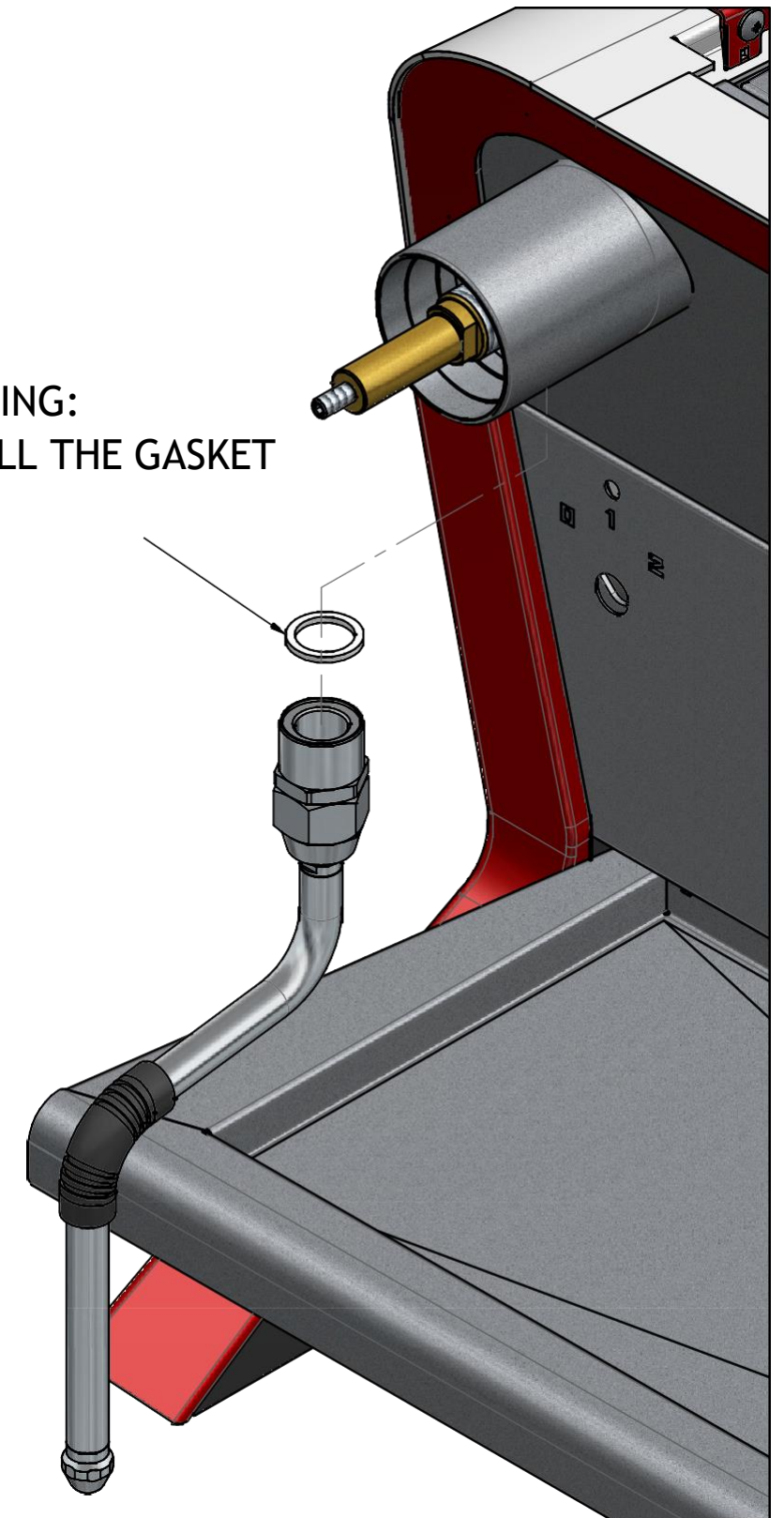


STEP 3

Avviatare la lancia al rubinetto vapore

Screw the wand to the tap. Install the gasket

WARNING:
INSTALL THE GASKET



ISTRUZIONI DI MONTAGGIO RUBINETTO VAPORE F18 - F18SB

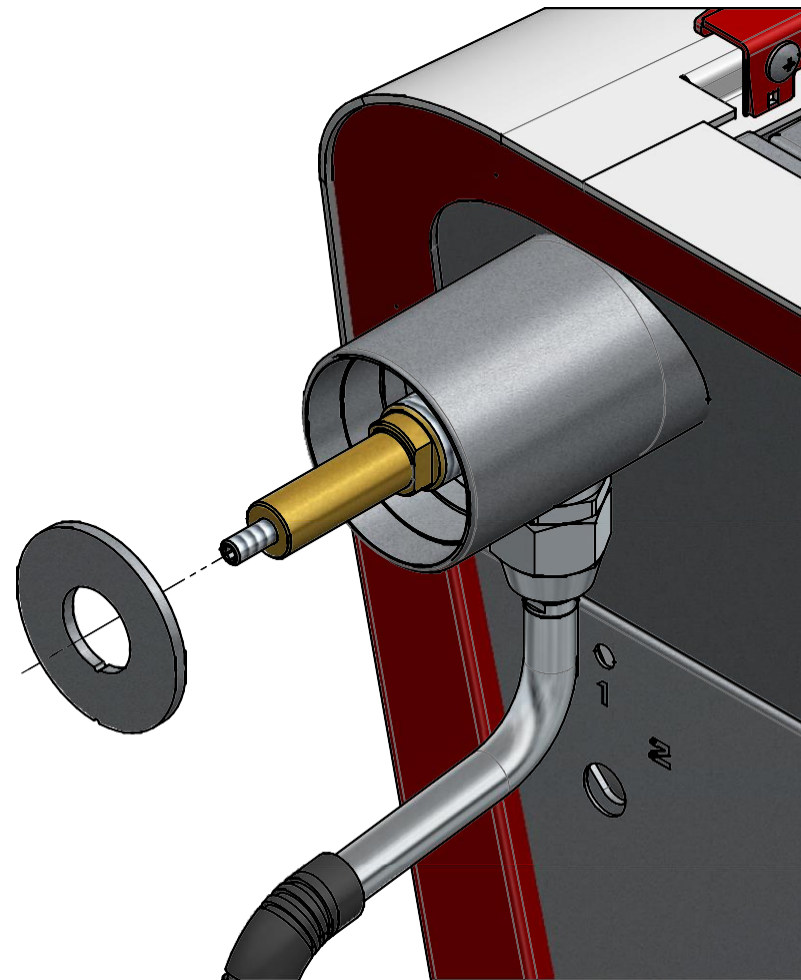
F18 - F18SB STEAM TAP INSTALLATION SEQUENCE



STEP 4

Inserire la rondella in appoggio alla propria sede nel tubo camicia

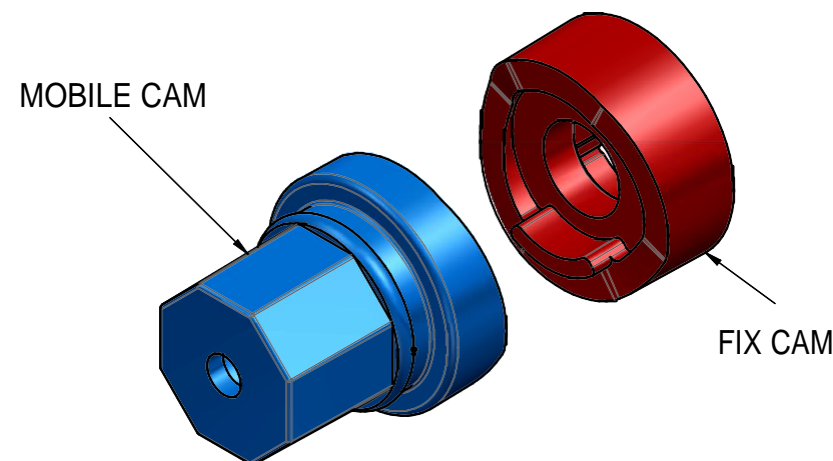
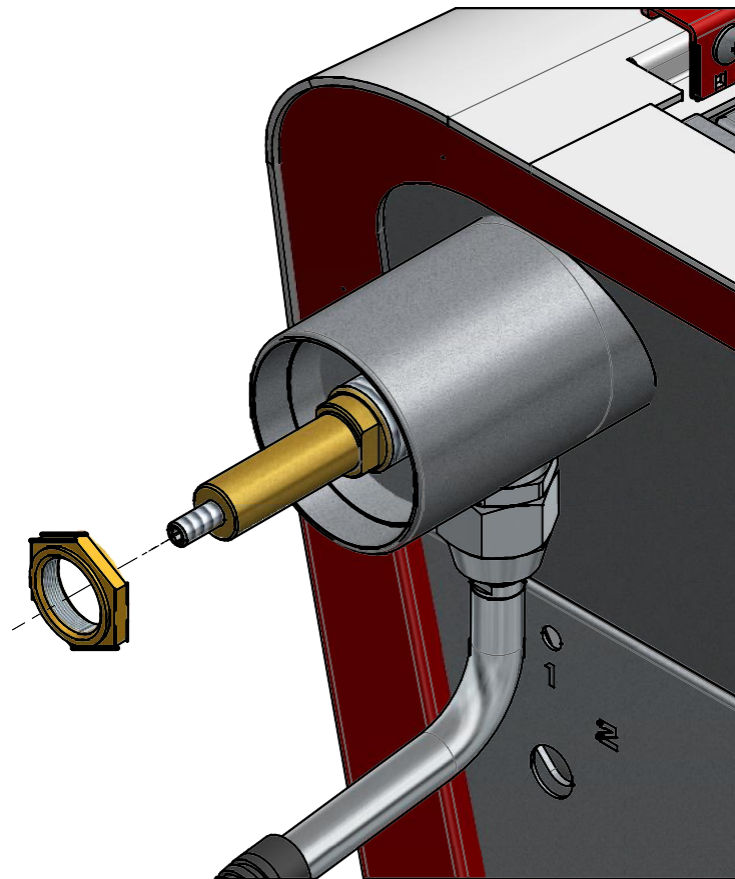
Install the large washer to center the cover in the tap



STEP 5

Avvitare il dado di fissaggio del tubo camicia al rubinetto

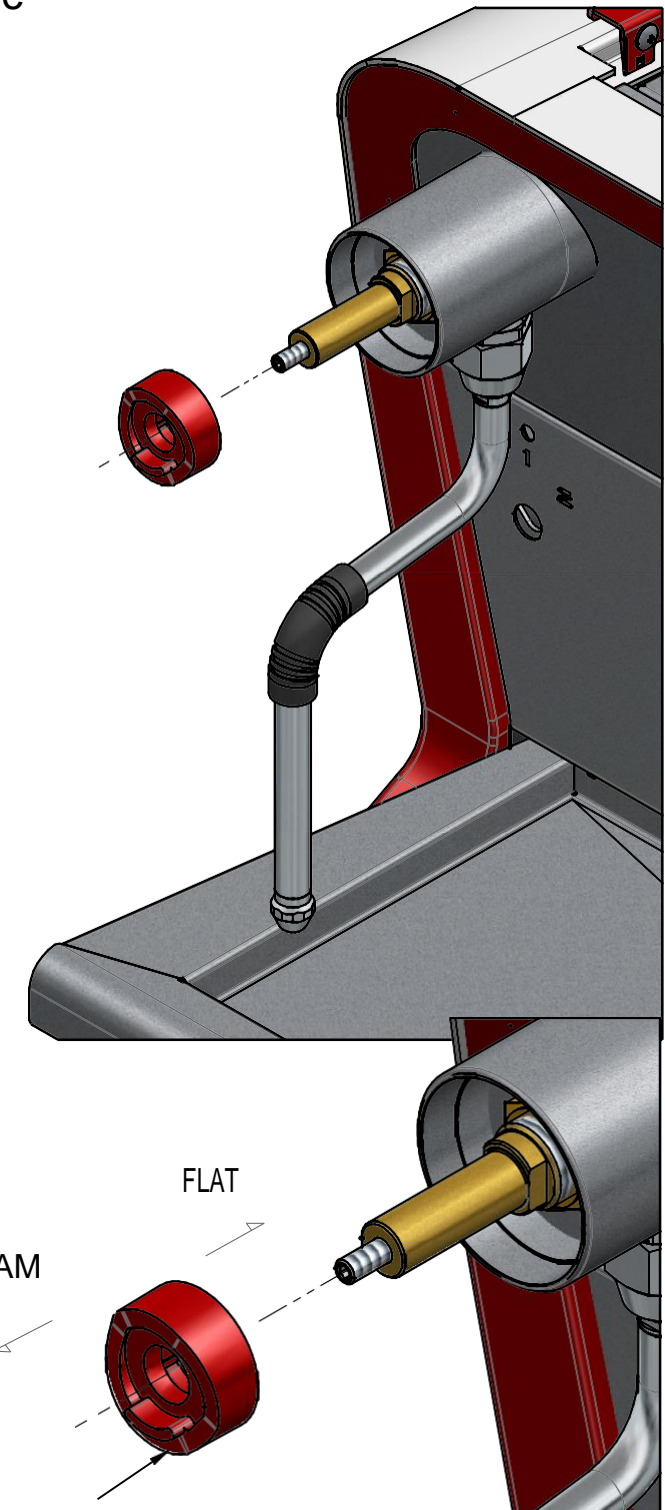
Fix gently the washer to avoid any overtorque force and consequent damages



STEP 6

Inserire la camma posteriore

Install the fix cam on the tap: the flat side towards the machine



VERIFY THE RIGHT INSERTION WAY

ISTRUZIONI DI MONTAGGIO RUBINETTO VAPORE F18 - F18SB

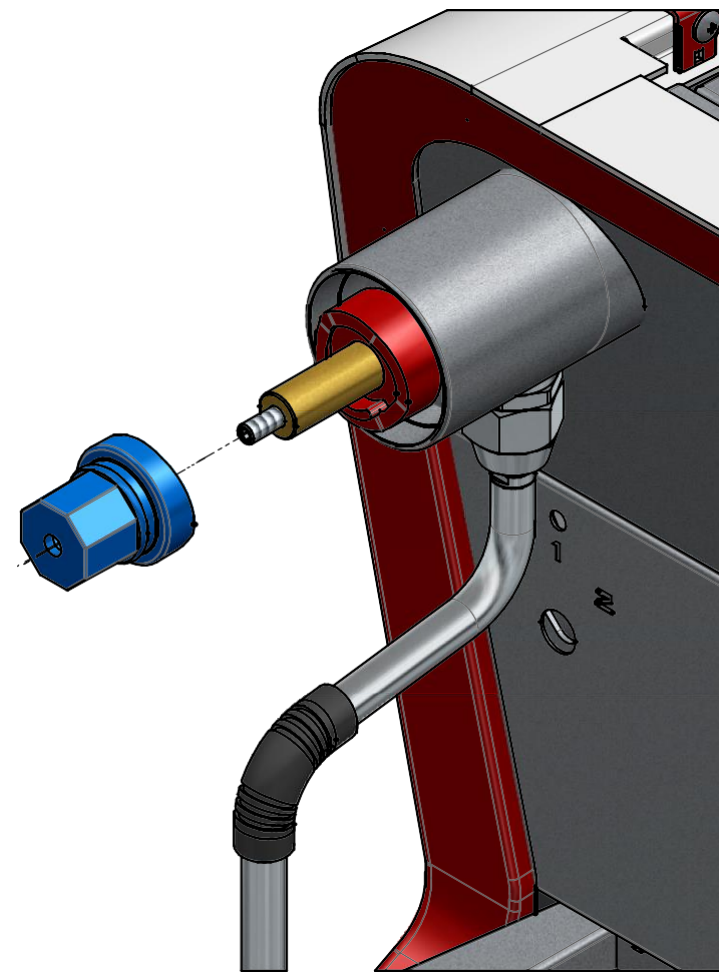
F18 - F18SB STEAM TAP INSTALLATION SEQUENCE



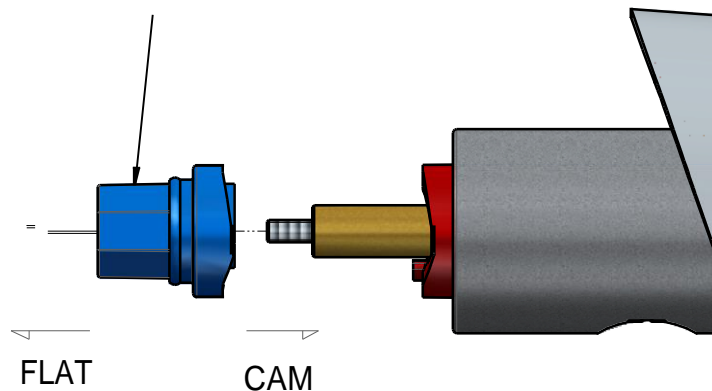
STEP 7

Inserire la camma anteriore

Install the mobile cam: the cam side has to match the fix one



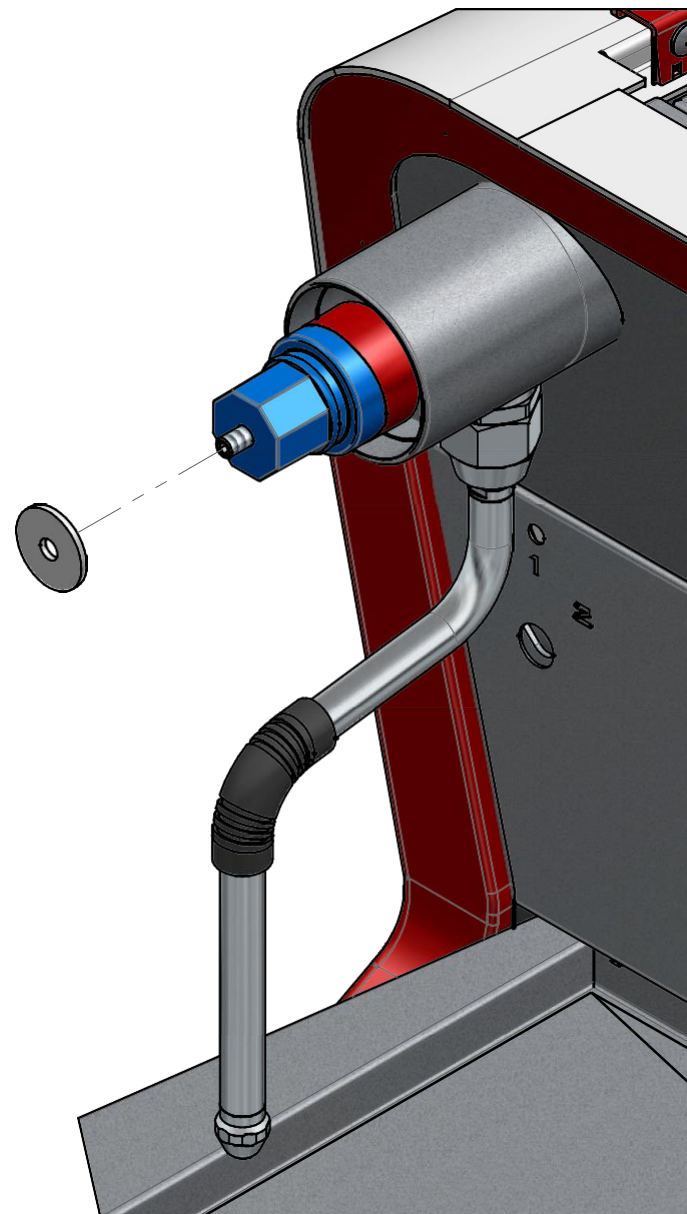
VERIFY
THE RIGHT INSERTION WAY



STEP 8

Inserire la rondella

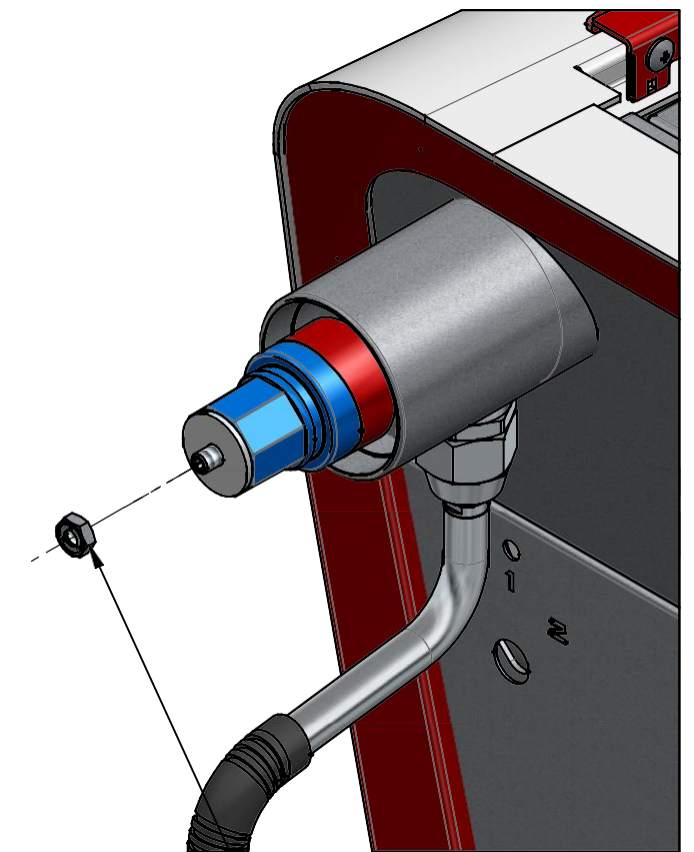
Install the washer



STEP 9

Avvitare il dado facendo attenzione alla regolazione dell'apertura del rubinetto

Screw M6 self locking nut until no free play will be noticed



LOCKING NUT ADJUSTMENT:

- SCREW UNTIL STEAM STARTS TO DROPS FROM THE NOZZLE
- UNSCREW AS MUCH AS NEEDED TO STOP THE STEAM FLOW
- WARM UP THE MACHINE AND EVALUATE IF ANY ADDITIONAL ADJUSTMENT IS NEEDED

ISTRUZIONI DI MONTAGGIO RUBINETTO VAPORE F18 - F18SB

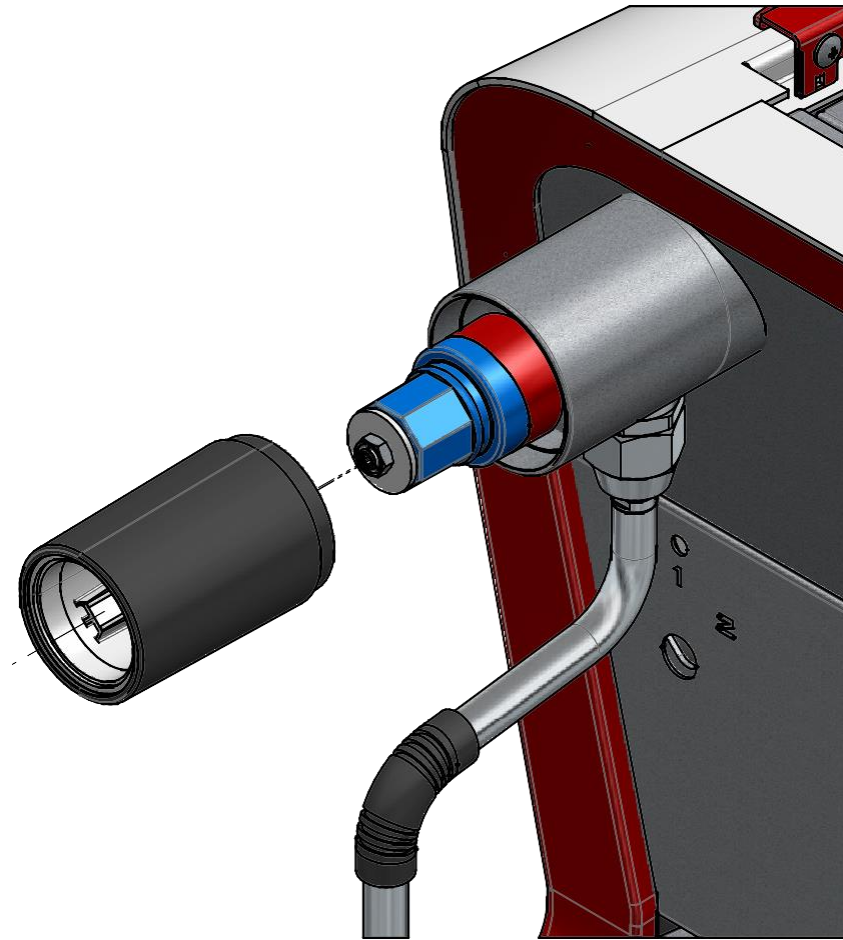
F18 - F18SB STEAM TAP INSTALLATION SEQUENCE



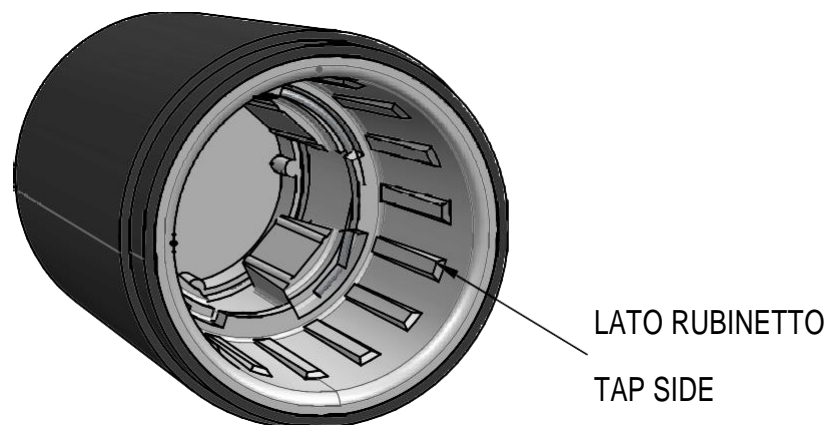
STEP 10

Inserire la manopola con una leggera pressione fino al CLICK

Press the knob towards the cam system until a "click" will confirm the right coupling



VERIFY
THE RIGHT INSERTION
WAY



STEP 11

inserire il tappo manopola

Install the knob's lid

