



coffeeing the World

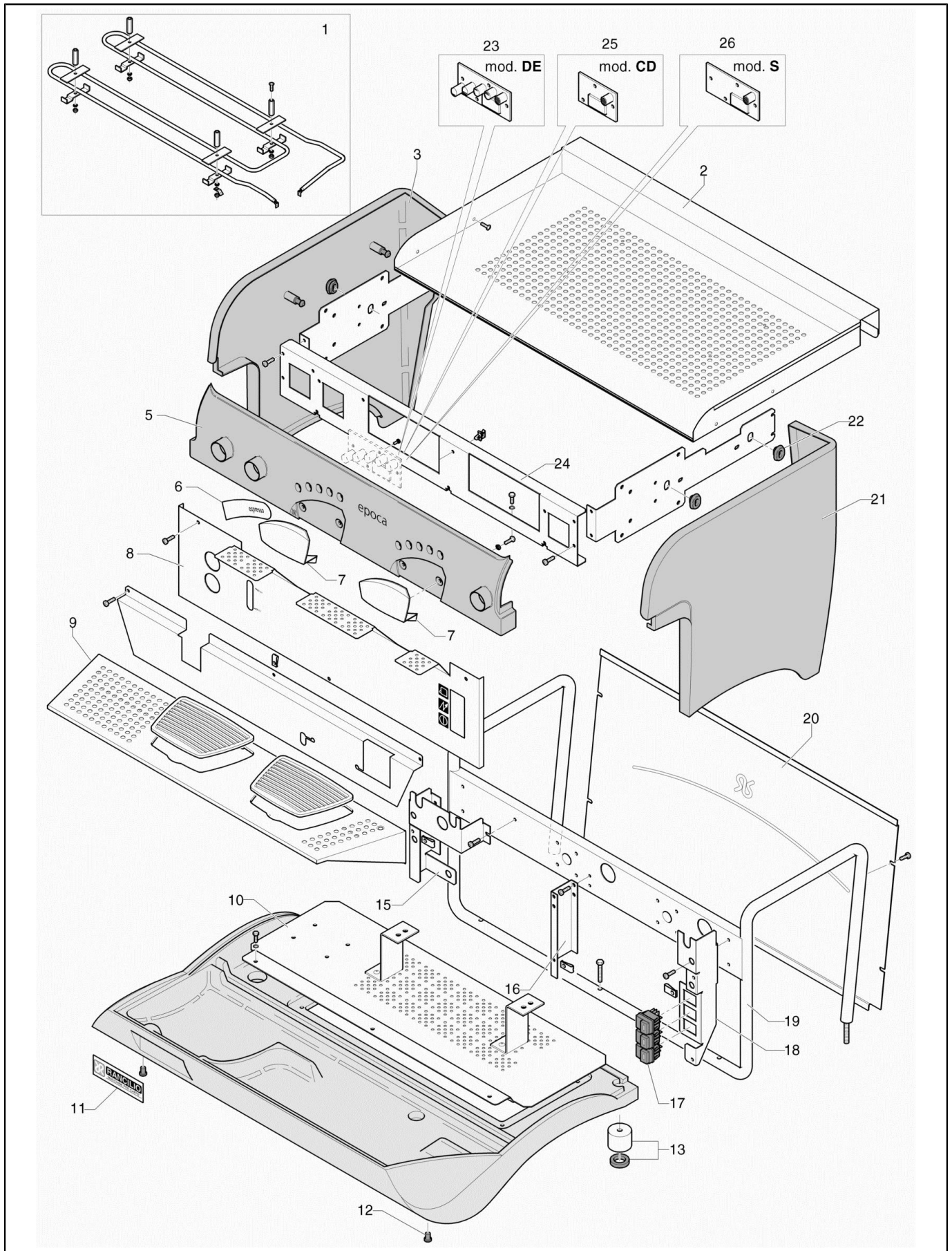
EPOCA DE



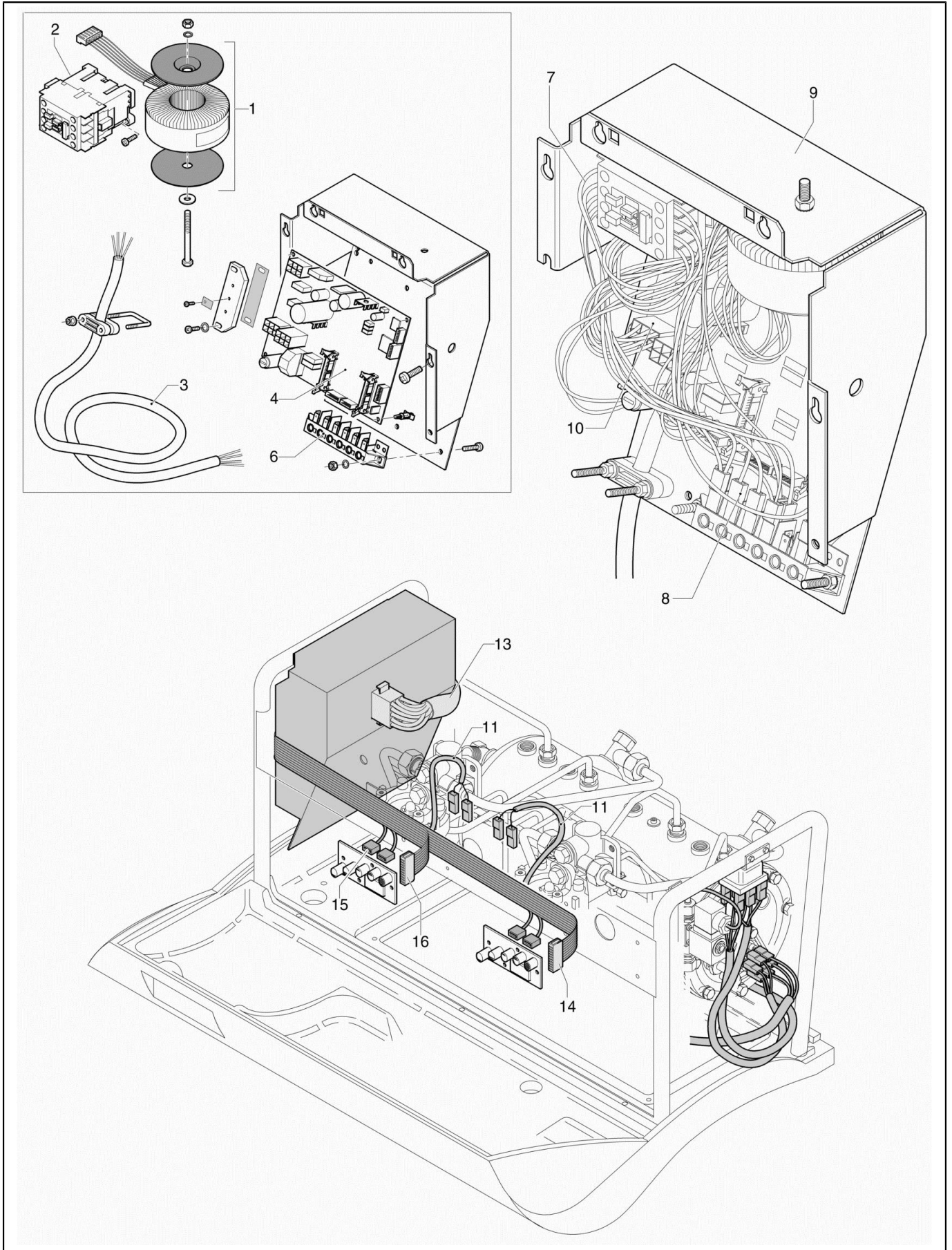
EPOCA

Index

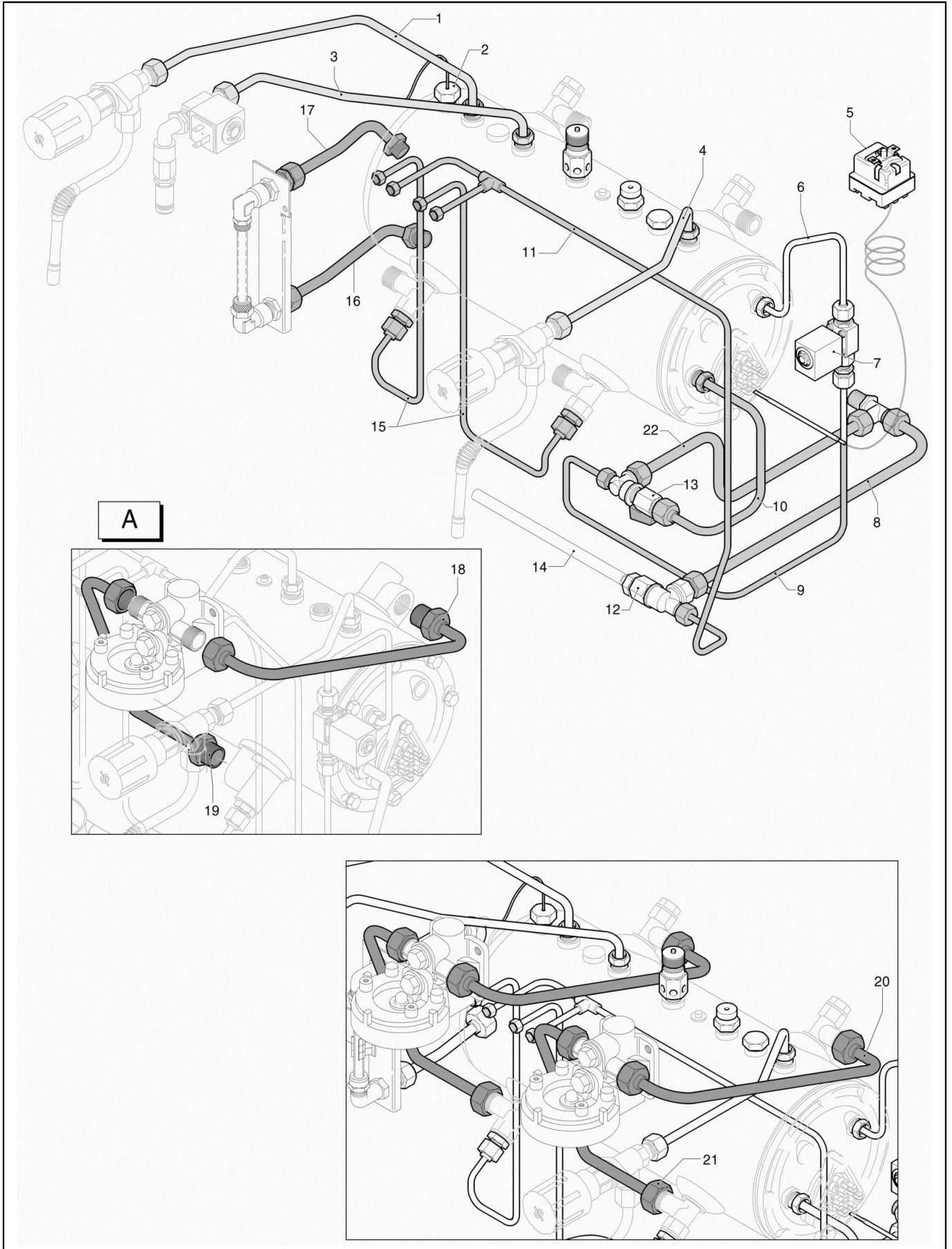
Table TAV.10310/04 - BODY.....	4
Table TAV.10340/04 - Electric Part/Electronic.....	6
Table TAV.10350/04 - HYDRAULIC CIRCUIT.....	8
Table TAV.10360/04 - BOILER.....	10
Table TAV.10370/04 - RESISTANCE/EXP.-CHECK VALVE.....	12
Table TAV.10501/04 - GROUP.....	14
Table TAV.10502/04 - STEAM/WATER TAP.....	16
Table TAV.10503/04 - PUMP.....	18
Alphanumeric index.....	20



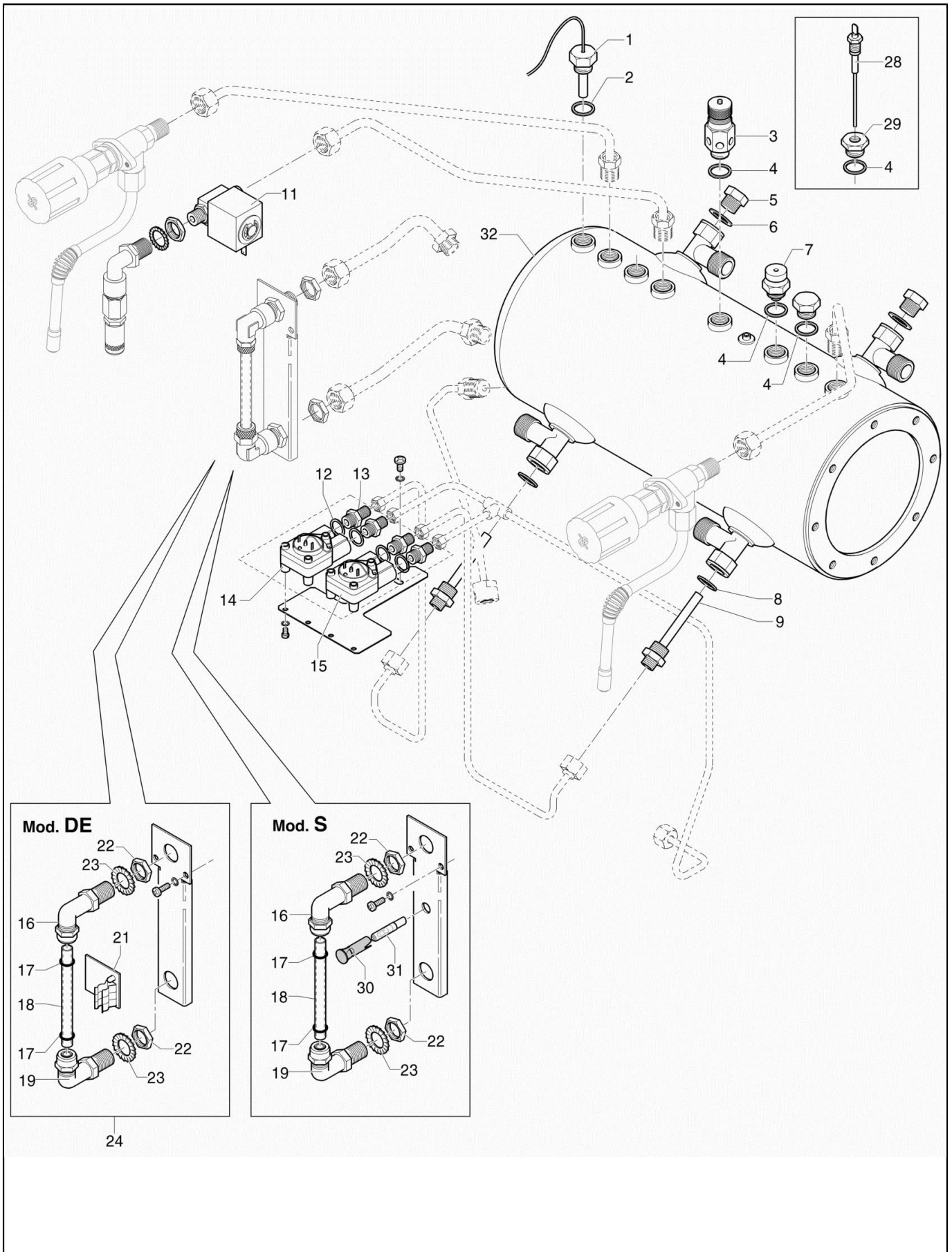
POS.	CODE	DESCRIPTION	NOTES
1	10705276	TOP+TANK	
2	32331064	TOP 2GR	
3	38123754A	SIDE PANNEL SX RED METALIZZ. EPOCA	
	38123754B	SIDE PANEL LEFT GREY METAL. EPOCA	
5	10700229	FRONT PANEL EPOCA 2GR GREY+FIXING	
	10700230	FRONT PANEL EPOCA 2GR RED+FIXING	
6	38123760	PANEL COVERGREY	
	38123761	PANEL COVERED	
7	38123870	GROUP COVER EPOCA	
8	32330957	TemPlate 2GR	
9	32331022	Cup tray EPOCA 2Gr	
10	38123751	BASE 2GR	
11	42200122	RANCILIO PLATE MM115	
12	36310010	RUBBER FOOT	
13	10781304	FOOT	
15	32550814	SUPPORT SX	
16	32550758	SUPPORT FOR FRONT PANEL	
17	34030971	SWITCH GREEN LIGHT	
18	32550756	SUPPORT DX	
19	10880319	CHASSIS EPOCA 2GR	
20	32330951	FRONT PANEL 2GR	
21	38123753A	SIDE PANNEL DX RED METALIZZATA EPOCA	
	38123753B	SIDE PANNEL DX GREY	
22	36322004	PANEL GUMMY	
23	10111031	CARD+P.B.BOARD COFFEE DE	
25	10111032	CARD+P.B.Board Coffee CD	
26	10111036	COFFEE SWITCH WITH LIGHT/13	



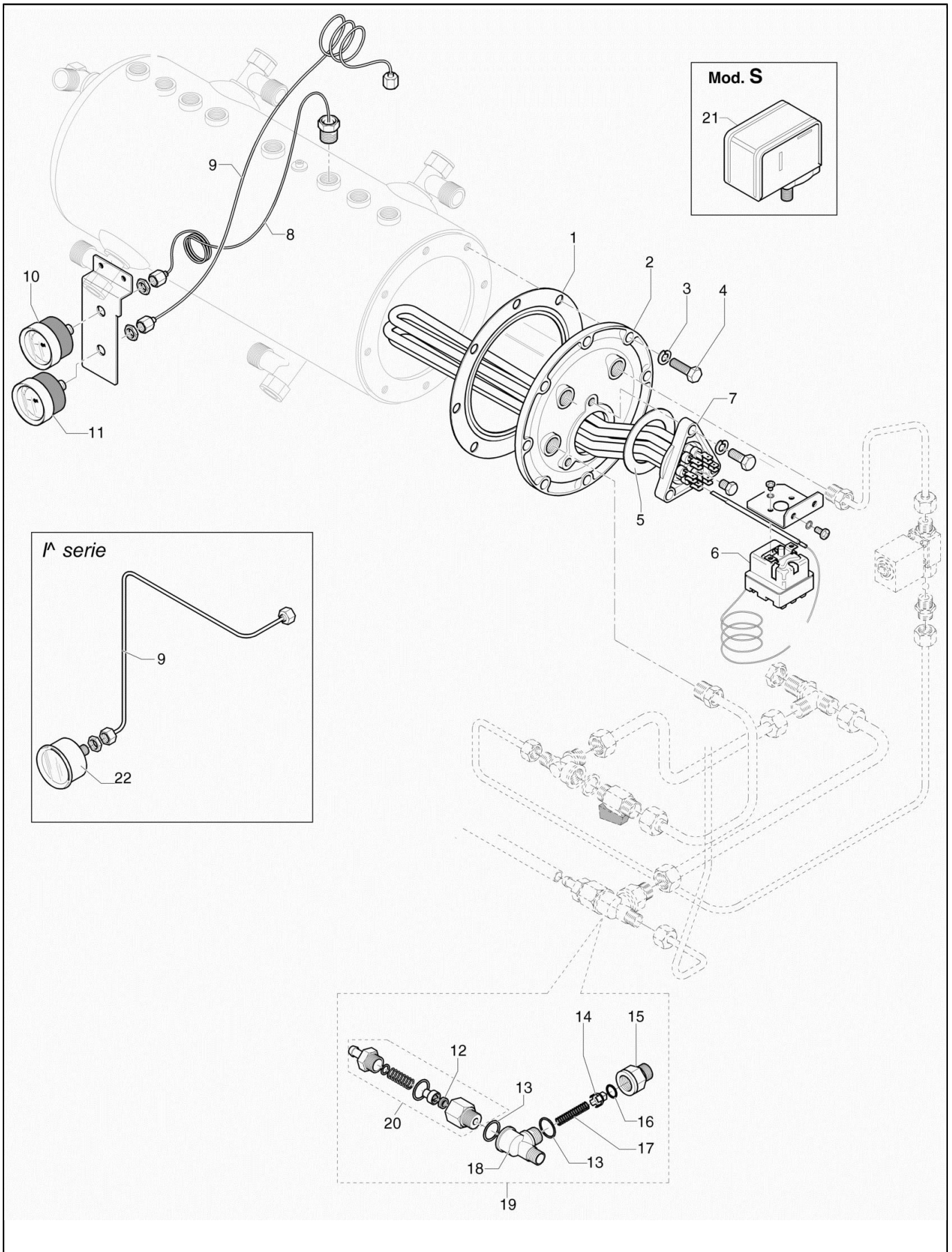
POS.	CODE	DESCRIPTION	NOTES
1	10700957	KIT TRASF.C10/SDE-EPOCA 2DE-C8	
2	34200293	CONTACTOR 4P 110-250V	
3	34300073	CAVO H07RN-F 5C.SEZ.2,5 L=2000	
4	10700972	KIT BOARD DE 03	
6	34150024	TERMINAL BOARD 6POL.	
7	10110436	WIRING AT CONTR.SWITCH POWER	
8	10110435	WIRING CLAMP/CONTROL SWITCH AT	
10	10110409	EL.BOX WIRING AT	
11	10110402	FLOWMETER WIRING 1/2GR.	
13	10110421	WIRING AT DE 2GR	
14	10110405	Wiring Control panel 2GR	
15	10110420	WIRING GROUP/WATER EV.	
16	10110404	Wiring Control panel 1GR	



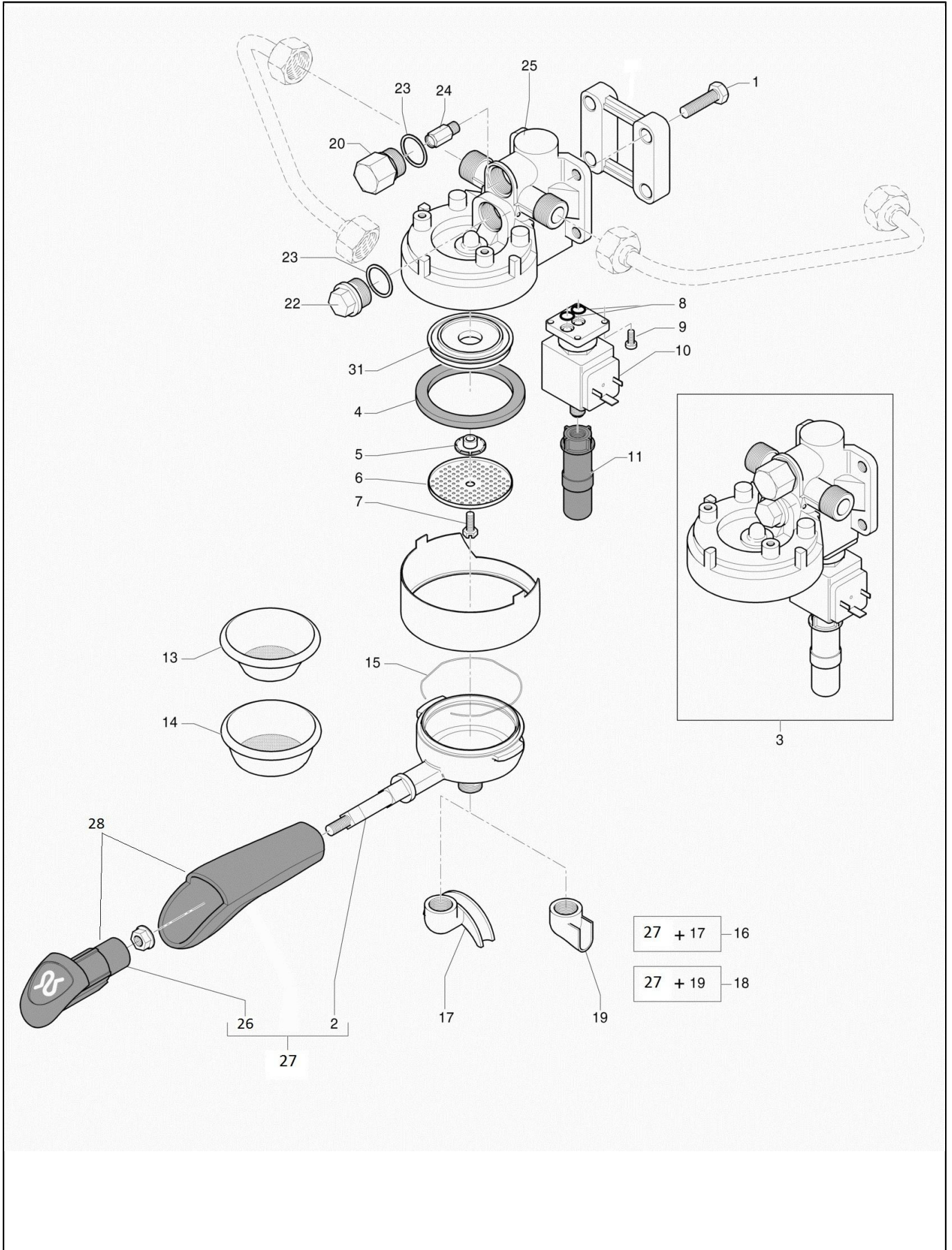
POS.	CODE	DESCRIPTION	NOTES
1	81330111	STEAM TAP PIPE LEFT	
2	34070174	TEMPERATURE PROBE 3/8 GAS	
3	10043039	PIPE 8 X 6 X MML = 350 MM	
4	10043151	PIPE 8 X 6 F3/8-M3/8 STEAM TAP RIGHT CLASSE 9 TALL	
5	34200095	SAVE-RESISTANCEANCE EGO 3 POLES CE	
6	10042022	TUBE 6X4X230	
7	10060466	Valve inlet+ check 24v	
8	10043102	PIPE 8 X 6 X MML = 130 MM	
9	10042047	PIPE 6 X 4 X MML = 570 MM	
10	10043151	PIPE 8 X 6 F3/8-M3/8 STEAM TAP RIGHT CLASSE 9 TALL	
11	10046002	MANIFOLD-FAN PIPE SDE 2GR	
12	10060448	Check valve	
13	69200018	MINIBALL COCK 3/8M	
14	38228002	SILICONE HOSE D. 9X6X560	
15	10705380	SET OF FAN PipeS SDE 2GR.	
16	10044061	PIPE LEVEL 10 X 8 F3/8-M3/8	
17	10044039	UPPER PIPE LEVEL INDICATOR 10X8 F3/8-M3/8	
18	10044053	CIRCULATION PIPE 10 X 8 F1/2-M1/2	
19	10044054	CIRCULATION PIPE 10 X 8 F1/2-M1/2	
20	10044068	CIRC.DELIVERY PIPE 10X8 F1/2-F1/2	
21	10044073	CIRC. RETURN PIPE 10X8 F1/2-F1/2	
22	10044083	PIPE 10X8X190	



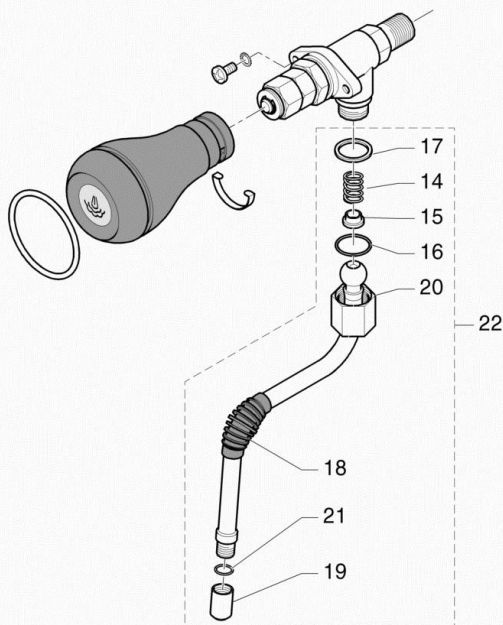
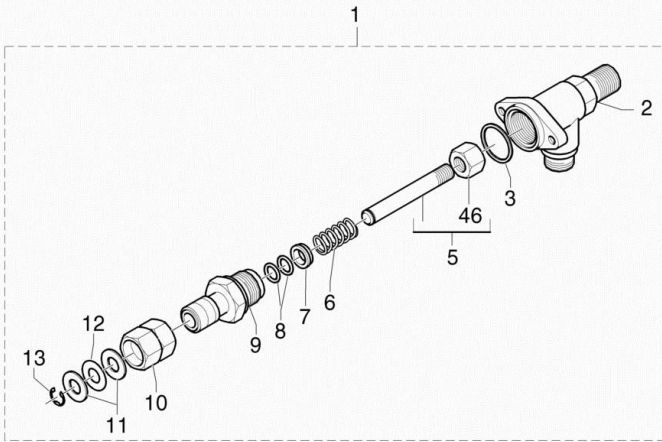
POS.	CODE	DESCRIPTION	NOTES
1	34070174	TEMPERATURE PROBE 3/8 GAS	
2	27350001	GASKET 3/8 X 1 COPPER GAS	
3	10060532	SAFETY VALVE+EXTENSION 1,65 3/8"	
4	36930013	GASKET SAFETY VALVE TEFLON	
5	23000368	CAP 3/8 FOR HEATER EXCHANGER	
6	27350001	GASKET 3/8 X 1 COPPER GAS	
7	10060051	ANTIVACUUM VALVE WITH WEIGHT	
8	27350001	GASKET 3/8 X 1 COPPER GAS	
9	10042032	INJECTOR PIPE 127	
11	10060486	Valve 220-240V 50HZ Hot water	
12	27270001	GASKET 1/4 COPPER GAS	
13	23000274	CONNECTOR M1/4 X M1/4 GAS	
14	10705181	SET 2 FANS SDE	
15	34070060	FLOWMETER HORIZ. CONNECTION	
16	20121104	CONNECTOR FOR LWVWL INDICATOR	
17	36402003	O-RING 9,25 X 1,78 V 75SH	
18	38228066	TEFLON PIPE D.10X8X107,5	
19	23212022	NUT FOR LEVEL	
21	34070211	LEVEL BOARD	
22	26220005	FLAT NUT 3/8	
23	37431600	OUTER TOOTHED WASHER D16	
24	10060382	LEVEL INDICATOR/13	
25	20121104	CONNECTOR FOR LWVWL INDICATOR	
30	34030110	ROUND ORANGE LAMP	
31	34030116	NEON LAMP	
32	10701376	BOILER RETROFIT KIT 2GR	



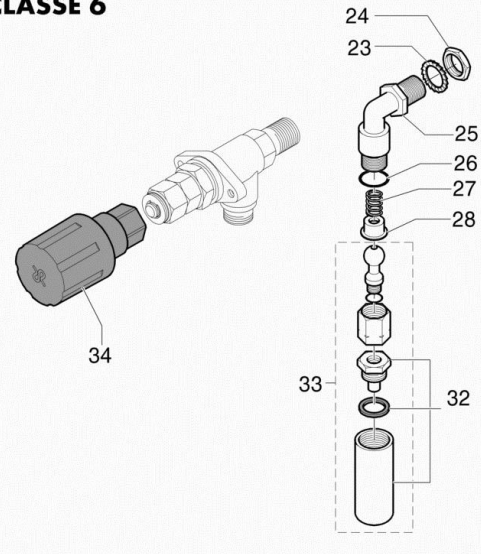
POS.	CODE	DESCRIPTION	NOTES
1	36930011	GASKET BOILER COVER TEFLON	
2	20102701	BOILER COVERRE	
3	37420800	ELASTIC WASHER D. 8	
4	37040821	SCREW M 8X22	
5	36930012	GASKET RESISTANCE TEFLON	
6	34200095	SAVE-RESISTANCEANCE EGO 3 POLES CE	
7	33323002	HEATING ELEMENT+CAPILL. 220-240V 3000W	
	33323004	HEATING ELEMENT CAPILL. 230V/4300W	
8	10041053	PIPE 4X3X600 F1/8 M3/8	
9	69000244	PIPE PUMP MANOMETER	
10	35002508	BOILER MANOMETER	
11	35002509	PUMP MANOMETER	
12	36302001	GASKET PAST. VALVE RUBBER	
13	27350001	GASKET 3/8 X 1 COPPER GAS	
14	23120025	Check valve	
15	23000056	CHECK BODY	
16	36404007	O-RING 7,65 X 1,78 EPDM 2031	
17	39110063	Check valve SPRING	
18	20123504	3-WAY JUNCTION	
19	10060448	Check valve	
20	10060479	EXPANSION VALVE 8 X G 3/8	
21	34200112	PRESSURE SWITCH MECC.PARKER	
22	35002507	MANOMETER 0-2,5 D. 52 NSF	



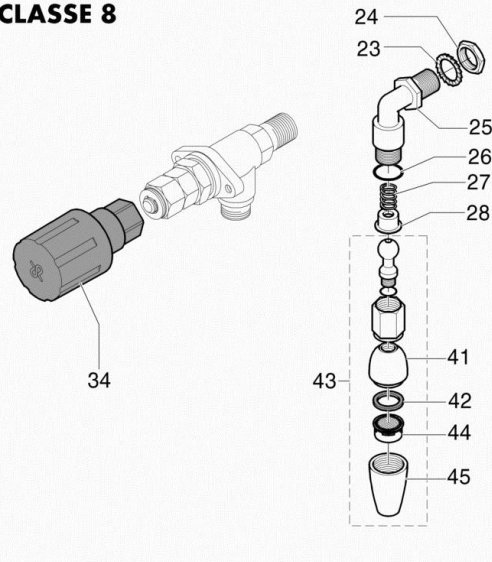
POS.	CODE	DESCRIPTION	NOTES
1	37040830	SCREW M 8X30	
2	20112011	FILTER-HOLDER	
3	10051213	GROUPHEAD CLASSE 10/SDE 24V	
	10051216	Brewing group 230V	
	10051219	Brewing group 120V	
4	36301046	GROUP GASKET PEROSSIDICA HP	
5	25139001	GROUP JETBREAKER	
6	40200005	SHOWER NET	
7	37030518	SHOWER SCREW	
8	36402005	O-RING ELECTROVALVE	
9	37060413	SCREW M 4 X 12	
10	34040149	Valve 3/2 220-240V UL (Sirai)	
	34040150	Valve 3/2 110-120V 60Hz UL (Sirai)	
	34040151	ELECTROVALVE 3/2 24V (Sirai)	
11	10090002	THERM.GROUP JETBREAKER	
13	40100106	FILTRO 1 DOSE 8GR.-INOX-	
14	40100107	FILTRO 2 DOSI 16GR.-INOX-	
15	25105007	FILTER SPRING	
16	10071137R	Porta-fiter RR/09 2doses	
17	21100801	2 CUP BEAK MC/09	
18	10071118R	Porta-fiter RR/09 1dose	
19	21102601	VITE PERFORATORE SUP.CAPSULA DOLCEGUSTO	
20	23000227	GROUP JET CAP	
22	20122653	BREWING GROUP CAP	
23	27400002	GASKET FOR BREWING GROUP CAP	
24	10060612	BREWING GROUP FLOW LIMITER ASSY.	
25	20200054	GROUP BODY	
26	10705535	FILTERHOLDER CAP WITH RING	
27	10071100	FILTERHOLDER NO BECK	
28	10705091	KIT FILTER HOLDER TAP 07	
31	20200182	SHOWER HOLDER BRASS	



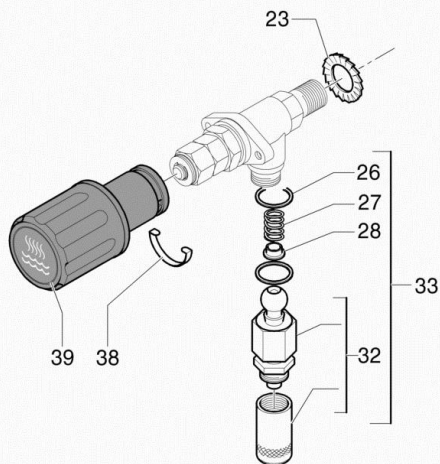
CLASSE 6



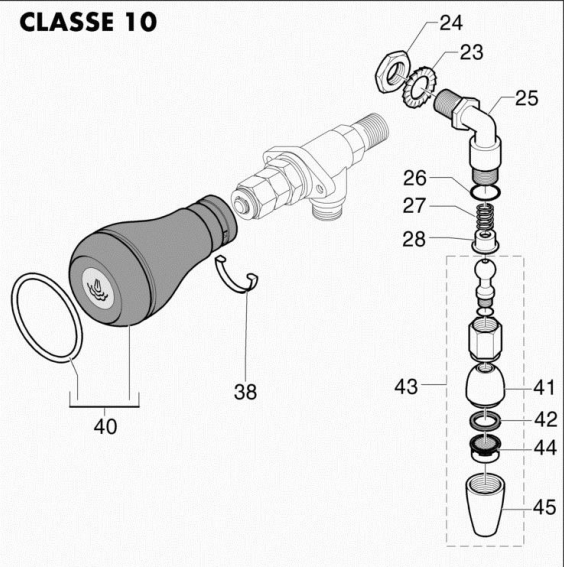
CLASSE 8



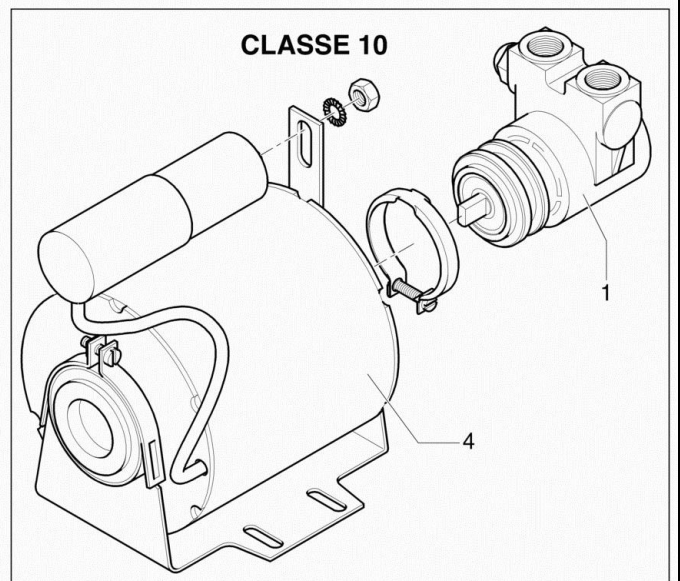
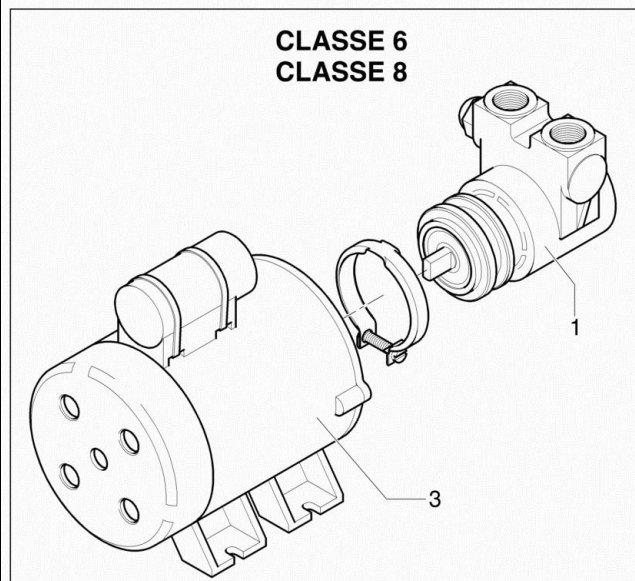
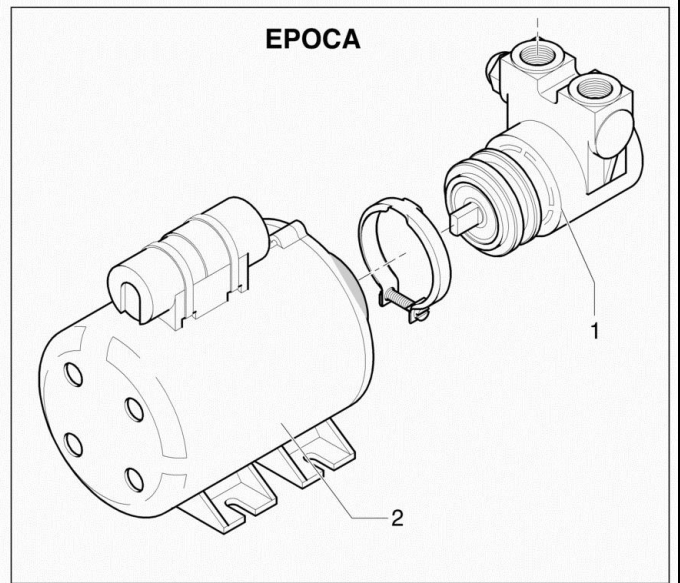
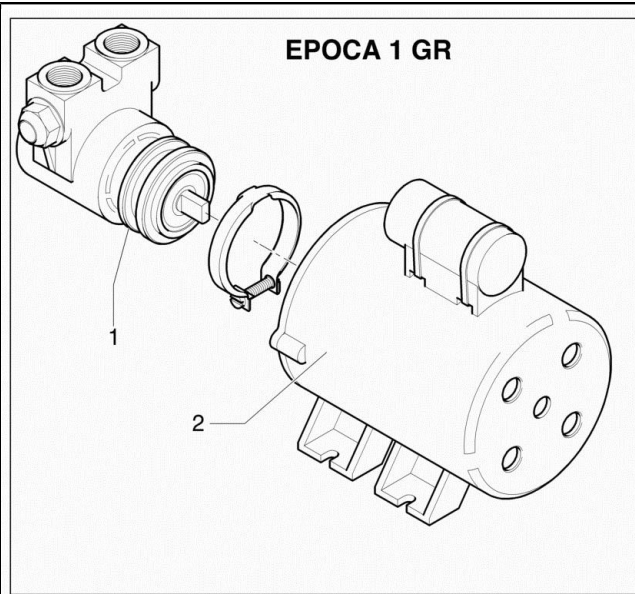
EPOCA



CLASSE 10



POS.	CODE	DESCRIPTION	NOTES
1	10060154	ECO RUBINETTO ACQUA ECOBRAS SENZA PIEDINO	
2	10060026	STEAM TAP BODY WITH AV. VALVE WITH BUSH INOX	
	26220005	FLAT NUT 3/8	
3	27400001	GASKET COPPER COMPASS RE GROUP	
5	10060002	ROD+NUT AND STEAM COCK GASKET	
6	39110035	WATER-STEAM COCK SPRING	
7	25132003	SPRING GUIDE FOR NEW COCK	
8	36402003	O-RING 9,25 X 1,78 V 75SH	
9	10701401	TAP BUSH	
10	23220029	REG BUSH FOR NEW COCK	
11	32239044	NEW STEAM COCK WASHER	
12	36230001	TEFLON WASHER	
14	39110025	SPRING FOR STEAM JOINT	
15	25119005	STEAM JOINT SPRING-GUIDE-INOX-	
16	36404001	O-RING 12,3 X 2,4 V 90 SH	
17	36220009	GASKET NUT NOTE TEFLON	
18	36990004	RUBBER FOR STEAM PIPES	
19	23212033	NEW SPAYER LG 25	
21	36404022	O-RING 6,4 X 1,9 R5A	
22	10706003	STEAM PIPE	
	10706024	STEAM PIPE + JOINT MLN	
23	37431600	OUTER TOOTHED WASHER D16	
24	26220005	FLAT NUT 3/8	
25	20200113	HOT WATER CONNECTION BRASS	
26	36404001	O-RING 12,3 X 2,4 V 90 SH	
27	39110025	SPRING FOR STEAM JOINT	
28	25119005	STEAM JOINT SPRING-GUIDE-INOX-	
32	10705079	JETBREAKER+SPRAYER	
33	10701405	HOT WATER WAND WITH MOVEMENT	
34	38123884	STEAM HANDLE	
38	32210001	STEAM HANDLE SPRING	
39	10060175	STEAM HANDLE EPOCA	
	10060176	WATER HANDWHEEL COMPL	
40	10705087	STEAM COCK HAND-WHEEL	
42	36301040	O-RING FILTER JET BREAKER	
43	10049014	WATER OUTLET	
44	25135019	WATER SPRAYER FILTER -INOX-	
46	10060001	NUT+STEAM COCK GASKET	



POS.	CODE	DESCRIPTION	NOTES
1	10705960	KIT PUMPING ELEMENT	
2	34011009	MOTOR 110 V CE / UL	
	34011102	VM MOTOR 230V	
3	34011010	MOTOR 230 V CE / UL	
	34011102	VM MOTOR 230V	
4	34011009	MOTOR 110 V CE / UL	
	34011102	VM MOTOR 230V	

Code	No. table	Pos.
10041053	TAV.10370/04	8
10042022	TAV.10350/04	6
10042032	TAV.10360/04	9
10042047	TAV.10350/04	9
10043039	TAV.10350/04	3
10043102	TAV.10350/04	8
10043151	TAV.10350/04	10
10043151	TAV.10350/04	4
10044039	TAV.10350/04	17
10044053	TAV.10350/04	18
10044054	TAV.10350/04	19
10044061	TAV.10350/04	16
10044068	TAV.10350/04	20
10044073	TAV.10350/04	21
10044083	TAV.10350/04	22
10046002	TAV.10350/04	11
10049014	TAV.10502/04	43
10051213	TAV.10501/04	3
10051216	TAV.10501/04	3
10051219	TAV.10501/04	3
10060001	TAV.10502/04	46
10060002	TAV.10502/04	5
10060026	TAV.10502/04	2
10060051	TAV.10360/04	7
10060154	TAV.10502/04	1
10060175	TAV.10502/04	39
10060176	TAV.10502/04	39
10060382	TAV.10360/04	24
10060448	TAV.10350/04	12
10060448	TAV.10370/04	19
10060466	TAV.10350/04	7
10060479	TAV.10370/04	20
10060486	TAV.10360/04	11
10060532	TAV.10360/04	3
10060612	TAV.10501/04	24
10071100	TAV.10501/04	27
10071118R	TAV.10501/04	18
10071137R	TAV.10501/04	16
10090002	TAV.10501/04	11
10110402	TAV.10340/04	11
10110404	TAV.10340/04	16
10110405	TAV.10340/04	14
10110409	TAV.10340/04	10
10110420	TAV.10340/04	15
10110421	TAV.10340/04	13
10110435	TAV.10340/04	8
10110436	TAV.10340/04	7
10111031	TAV.10310/04	23
10111032	TAV.10310/04	25
10111036	TAV.10310/04	26
10700229	TAV.10310/04	5
10700230	TAV.10310/04	5
10700957	TAV.10340/04	1
10700972	TAV.10340/04	4
10701376	TAV.10360/04	32
10701401	TAV.10502/04	9
10701405	TAV.10502/04	33
10705079	TAV.10502/04	32
10705087	TAV.10502/04	40
10705091	TAV.10501/04	28
10705181	TAV.10360/04	14
10705276	TAV.10310/04	1
10705380	TAV.10350/04	15
10705535	TAV.10501/04	26
10705960	TAV.10503/04	1
10706003	TAV.10502/04	22
10706024	TAV.10502/04	22

Code	No. table	Pos.
10781304	TAV.10310/04	13
10880319	TAV.10310/04	19
20102701	TAV.10370/04	2
20112011	TAV.10501/04	2
20121104	TAV.10360/04	16
20121104	TAV.10360/04	25
20122653	TAV.10501/04	22
20123504	TAV.10370/04	18
20200054	TAV.10501/04	25
20200113	TAV.10502/04	25
20200182	TAV.10501/04	31
21100801	TAV.10501/04	17
21102601	TAV.10501/04	19
23000056	TAV.10370/04	15
23000227	TAV.10501/04	20
23000274	TAV.10360/04	13
23000368	TAV.10360/04	5
23120025	TAV.10370/04	14
23212022	TAV.10360/04	19
23212033	TAV.10502/04	19
23220029	TAV.10502/04	10
25105007	TAV.10501/04	15
25119005	TAV.10502/04	15
25119005	TAV.10502/04	28
25132003	TAV.10502/04	7
25135019	TAV.10502/04	44
25139001	TAV.10501/04	5
26220005	TAV.10360/04	22
26220005	TAV.10502/04	2
26220005	TAV.10502/04	24
27270001	TAV.10360/04	12
27350001	TAV.10360/04	2
27350001	TAV.10360/04	6
27350001	TAV.10360/04	8
27350001	TAV.10370/04	13
27400001	TAV.10502/04	3
27400002	TAV.10501/04	23
32210001	TAV.10502/04	38
32239044	TAV.10502/04	11
32330951	TAV.10310/04	20
32330957	TAV.10310/04	8
32331022	TAV.10310/04	9
32331064	TAV.10310/04	2
32550756	TAV.10310/04	18
32550758	TAV.10310/04	16
32550814	TAV.10310/04	15
33323002	TAV.10370/04	7
33323004	TAV.10370/04	7
34011009	TAV.10503/04	2
34011009	TAV.10503/04	4
34011010	TAV.10503/04	3
34011102	TAV.10503/04	2
34011102	TAV.10503/04	3
34011102	TAV.10503/04	4
34030110	TAV.10360/04	30
34030116	TAV.10360/04	31
34030971	TAV.10310/04	17
34040149	TAV.10501/04	10
34040150	TAV.10501/04	10
34040151	TAV.10501/04	10
34070060	TAV.10360/04	15
34070174	TAV.10350/04	2
34070174	TAV.10360/04	1
34070211	TAV.10360/04	21
34150024	TAV.10340/04	6
34200095	TAV.10350/04	5
34200095	TAV.10370/04	6

Code	No. table	Pos.
34200112	TAV.10370/04	21
34200293	TAV.10340/04	2
34300073	TAV.10340/04	3
35002507	TAV.10370/04	22
35002508	TAV.10370/04	10
35002509	TAV.10370/04	11
36220009	TAV.10502/04	17
36230001	TAV.10502/04	12
36301040	TAV.10502/04	42
36301046	TAV.10501/04	4
36302001	TAV.10370/04	12
36310010	TAV.10310/04	12
36322004	TAV.10310/04	22
36402003	TAV.10360/04	17
36402003	TAV.10502/04	8
36402005	TAV.10501/04	8
36404001	TAV.10502/04	16
36404001	TAV.10502/04	26
36404007	TAV.10370/04	16
36404022	TAV.10502/04	21
36930011	TAV.10370/04	1
36930012	TAV.10370/04	5
36930013	TAV.10360/04	4
36990004	TAV.10502/04	18
37030518	TAV.10501/04	7
37040821	TAV.10370/04	4
37040830	TAV.10501/04	1
37060413	TAV.10501/04	9
37420800	TAV.10370/04	3
37431600	TAV.10360/04	23
37431600	TAV.10502/04	23
38123751	TAV.10310/04	10
38123753A	TAV.10310/04	21
38123753B	TAV.10310/04	21
38123754A	TAV.10310/04	3
38123754B	TAV.10310/04	3
38123760	TAV.10310/04	6
38123761	TAV.10310/04	6
38123870	TAV.10310/04	7
38123884	TAV.10502/04	34
38228002	TAV.10350/04	14
38228066	TAV.10360/04	18
39110025	TAV.10502/04	14
39110025	TAV.10502/04	27
39110035	TAV.10502/04	6
39110063	TAV.10370/04	17
40100106	TAV.10501/04	13
40100107	TAV.10501/04	14
40200005	TAV.10501/04	6
42200122	TAV.10310/04	11
69000244	TAV.10370/04	9
69200018	TAV.10350/04	13
81330111	TAV.10350/04	1



Headquarters, Production Plant and R&D Centers

Rancilio Group s.p.a.

Viale della Repubblica 40
20010 Villastanza di Parabiago
Milano - Italy
Tel +39 0331 408200
Fax +39 0331 551437
www.ranciliogroup.com
info@ranciliogroup.com

Egro Suisse AG

Bahnhofstrasse 66
5605 Dottikon, Switzerland
Tel. +41 (0)56 616 95 95
Fax +41 (0)56 616 95 97
www.egrocoffee.com
info@egrocoffee.com

Worldwide Branch Locations

SPAIN

RancilioGroup Espana, s.a.
Gran Via de Carlos III, 84 3ª
Edificio Trade
08028 Barcelona - Spain
Tel. +34 902 884 275
Tel. +34 934 923 414
Fax +34 934 965 701
www.ranciliogroup.com
info-es@ranciliogroup.com

PORTUGAL

Rancilio Group Portugal Lda
Estrada da Falagueira nº 68 E
2700-365 Amadora-Lisboa - Portugal
Tel. +351 21 019 10 91
Fax +351 21 019 10 91

Rua Nova do Seixo 1282
4465-706 Leça do Balio-Porto - Portugal
Tel. +351 22 010 14 19
Fax +351 22 010 14 19
www.ranciliogroup.com
info-pt@ranciliogroup.com

GERMANY

Rancilio Group Deutschland GmbH
Talstrasse 27
97990 Weikersheim - Germany
Ph. +49 7934 99 29 30
Fax +49 7934 99 29 330
www.ranciliogroup.de
info-de@ranciliogroup.com

SWITZERLAND

Egro Suisse AG
Bahnhofstrasse 66
5605 Dottikon - Switzerland
Tel. +41 (0)56 616 95 95
Fax +41 (0)56 616 95 97
www.egrosuisse.ch
info@egrosuisse.ch

USA/CANADA

Rancilio Group North America Inc.
1340 Internationale Parkway / Suite 200
Woodridge, IL 60517 - U.S.A.
Ph: +1 630 914 7900
Fax: +1 630 914 7901
Toll Free: +1 877 726 2454
www.ranciliogroup.com
info@ranciliogroupna.com

