



coffeeing the World

CLASSE 11 USB XCELSIUS



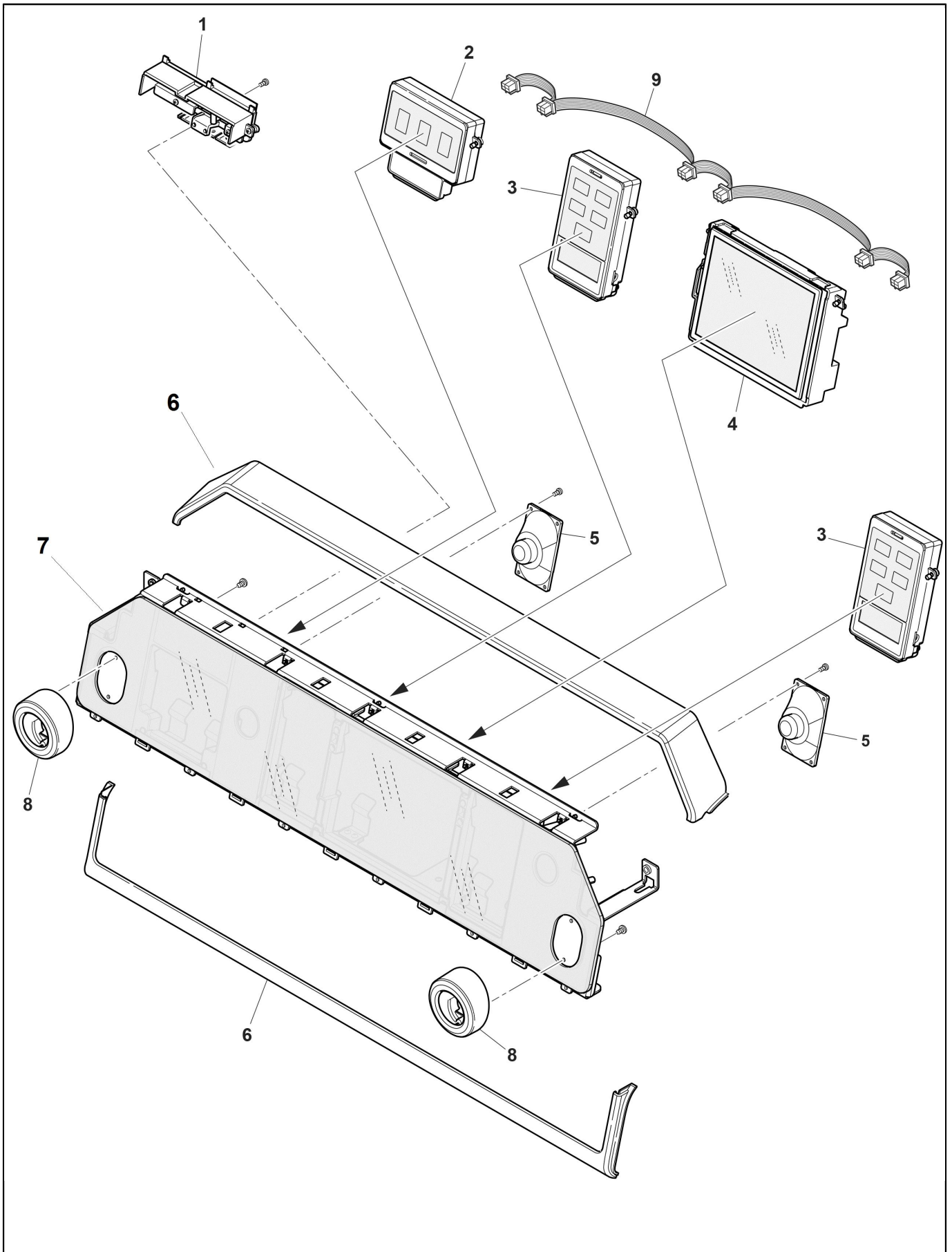
CLASSE 11



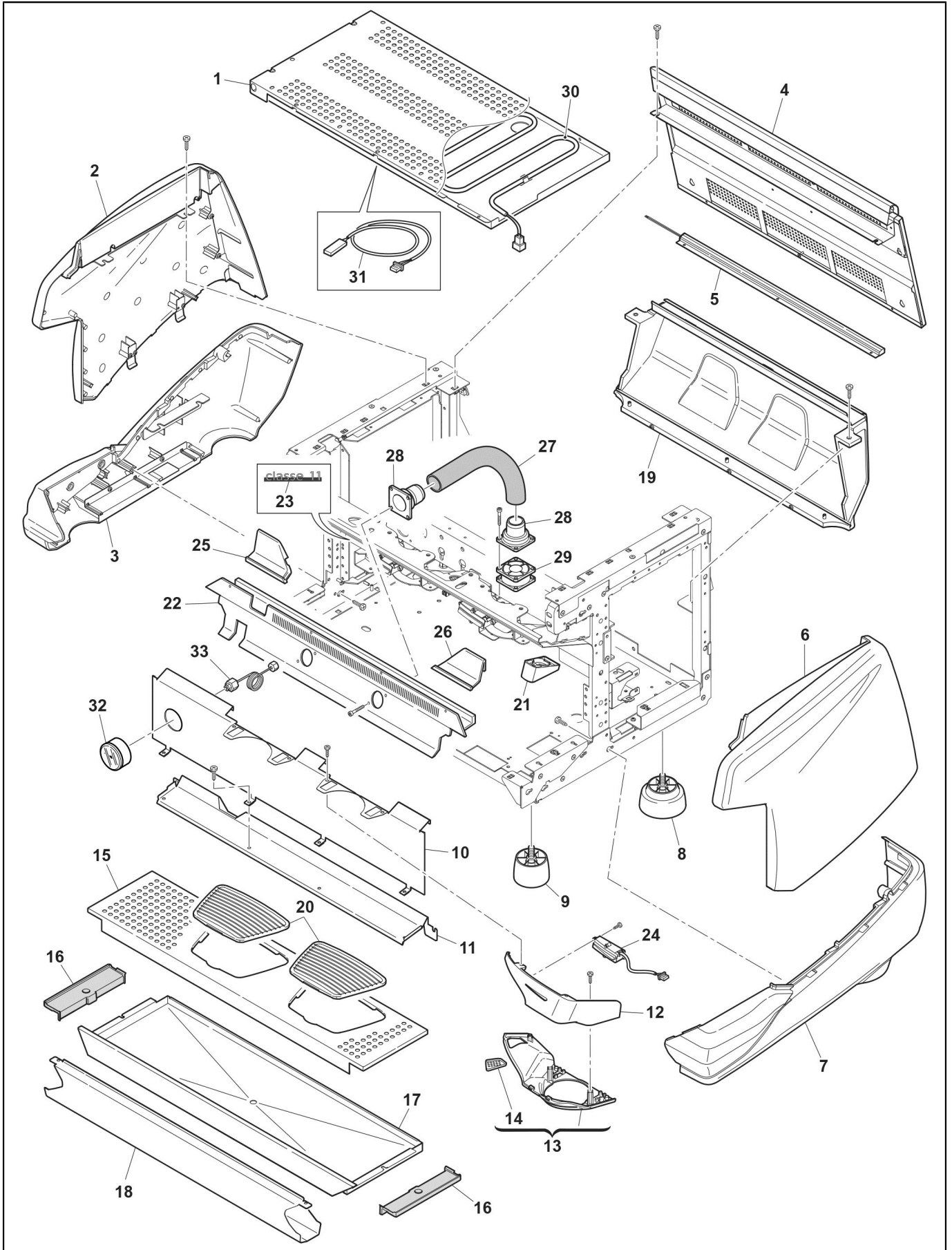
coffeeing the World

Index

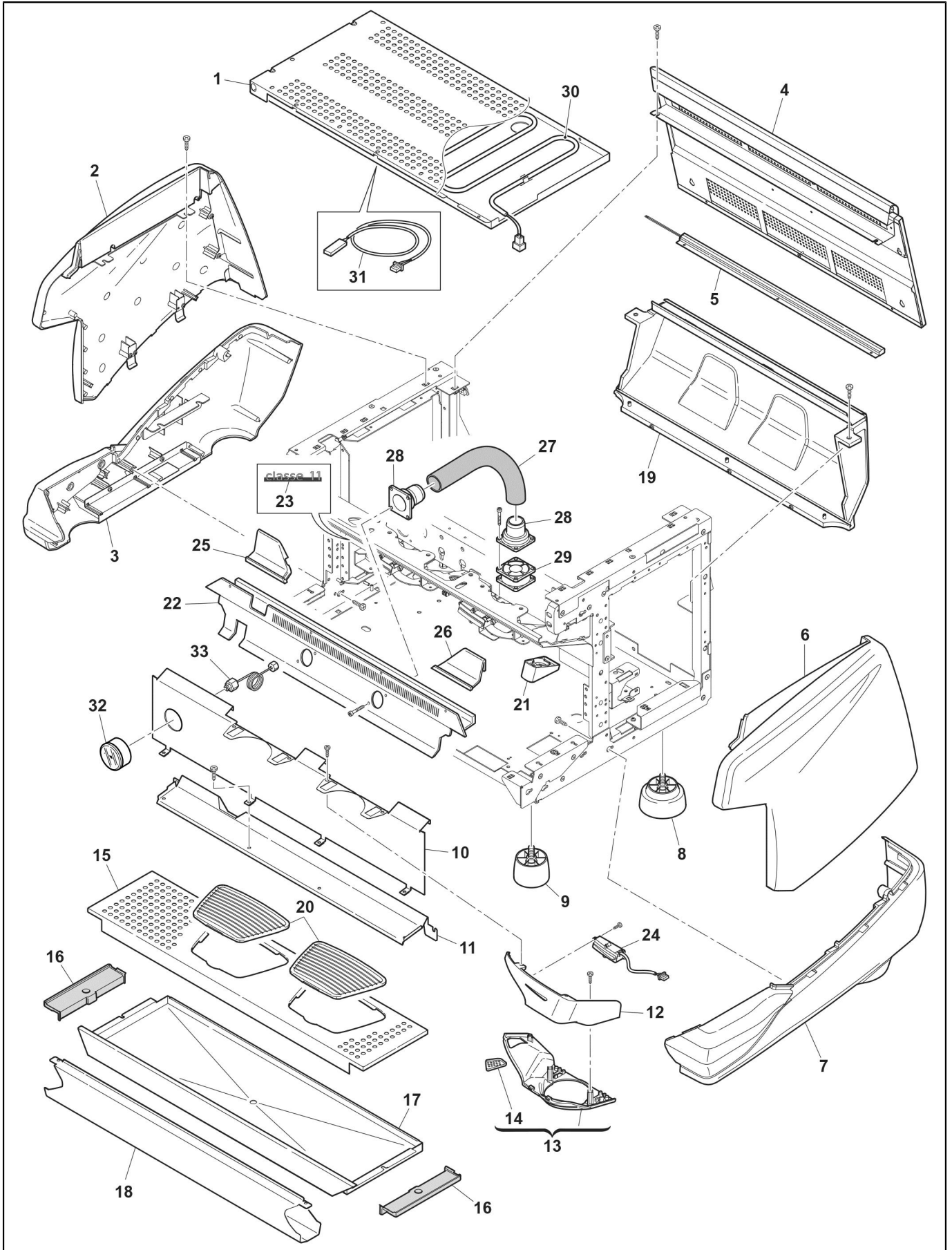
Table 1001 - CONTROL PANEL.....	4
Table 1000 - Body.....	6
Table 2006 - BREWING GROUP XCELSIUS.....	10
Table 2003 - BOILER/MOTOR PUMP.....	12
Table 2007 - Water spout	14
Table 2002 - HYDRAULIC CIRCUIT XCELSIUS.....	16
Table 2009 - XCELSIUS SYSTEM.....	20
Table 2008 - Clever Steam Tap	22
Table 3000 - ELECTRIC PART/ELECTRONIC USB/Xcelsius.....	24
Table 3005 - CPU/XCELSIUS BOARD CONNECTIONS.....	26
Table 4000 - ISTEAM.....	28
Alphanumeric index.....	30



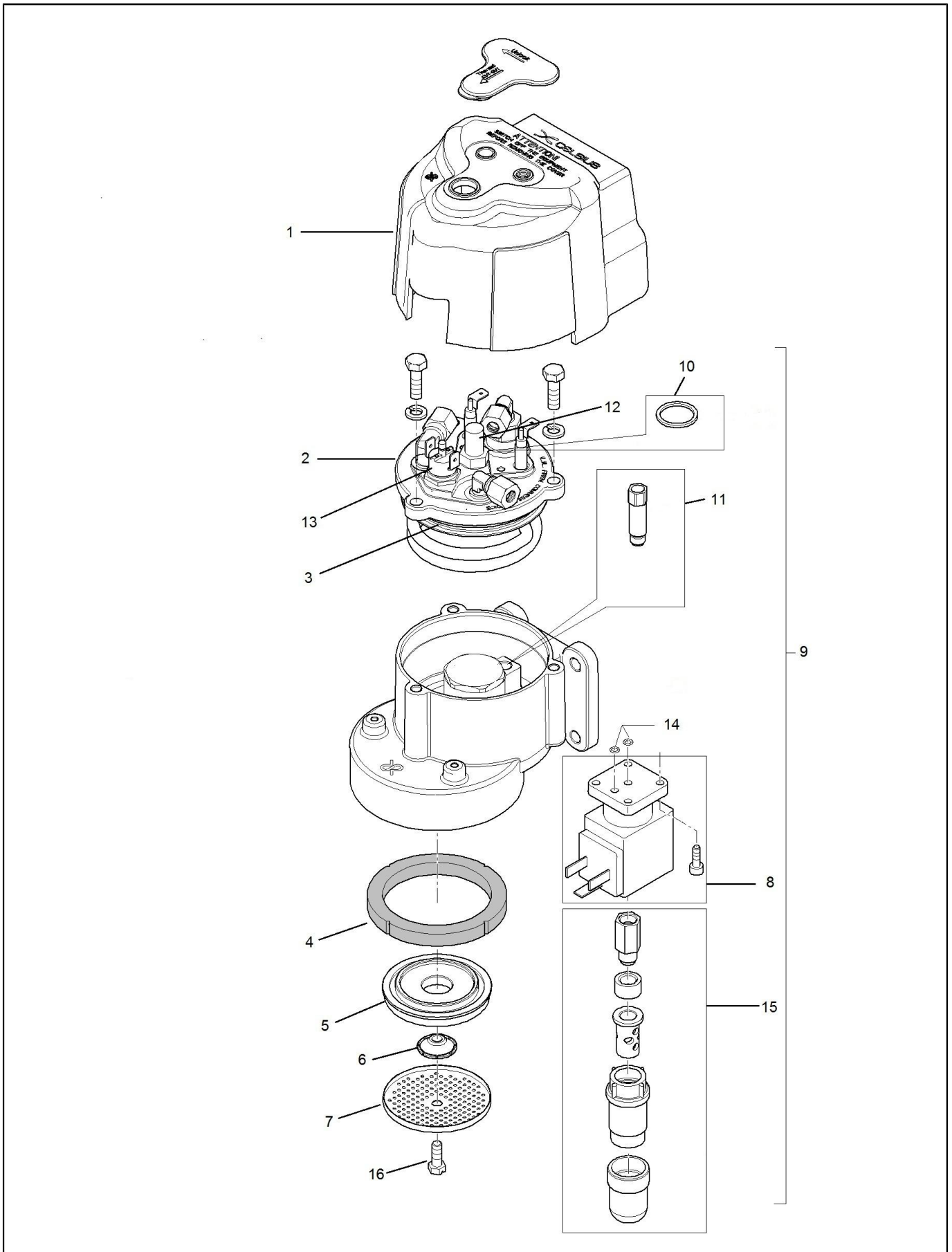
POS.	CODE	DESCRIPTION	NOTES
1	10701113	Kit Usb-Audio Module	
2	10701390	Keypad Water Classe 11/17	
3	10701389	Keypad Classe 11 Xcelsius/17	
4	10701120	Display C11	
	10701154	Display Fan Classe 11	
5	10701114	KIT AUDIO SPEAKERS 2GR.	
	10701115	KIT AUDIO SPEAKERS 3GR.	
	10701116	KIT AUDIO SPEAKERS 4GR.	
6	10701060	Kit Frame Control Panel Classe 11 2Gr	
	10701061	Kit Frame Control Panel Classe 11 3Gr	
	10701062	Kit Frame Control Panel Classe 11 4Gr	
7	10701073	Glass, Frame Control Panel Classe 11 Xcelsius 2Gr	
	10701074	Glass, Frame Control Panel Classe 11 Xcelsius 3Gr	
	10701075	GLASS, FRAME CONTROL PANEL CLASSE 11 XCELSIUS 4GR	
8	10701066	Steam Wand Frame Chromed	
9	10701117	Kit Wires Modules 2Gr.	
	10701118	Kit Wires Modules 3Gr.	
	10701119	Kit Wires Modules 4Gr.	



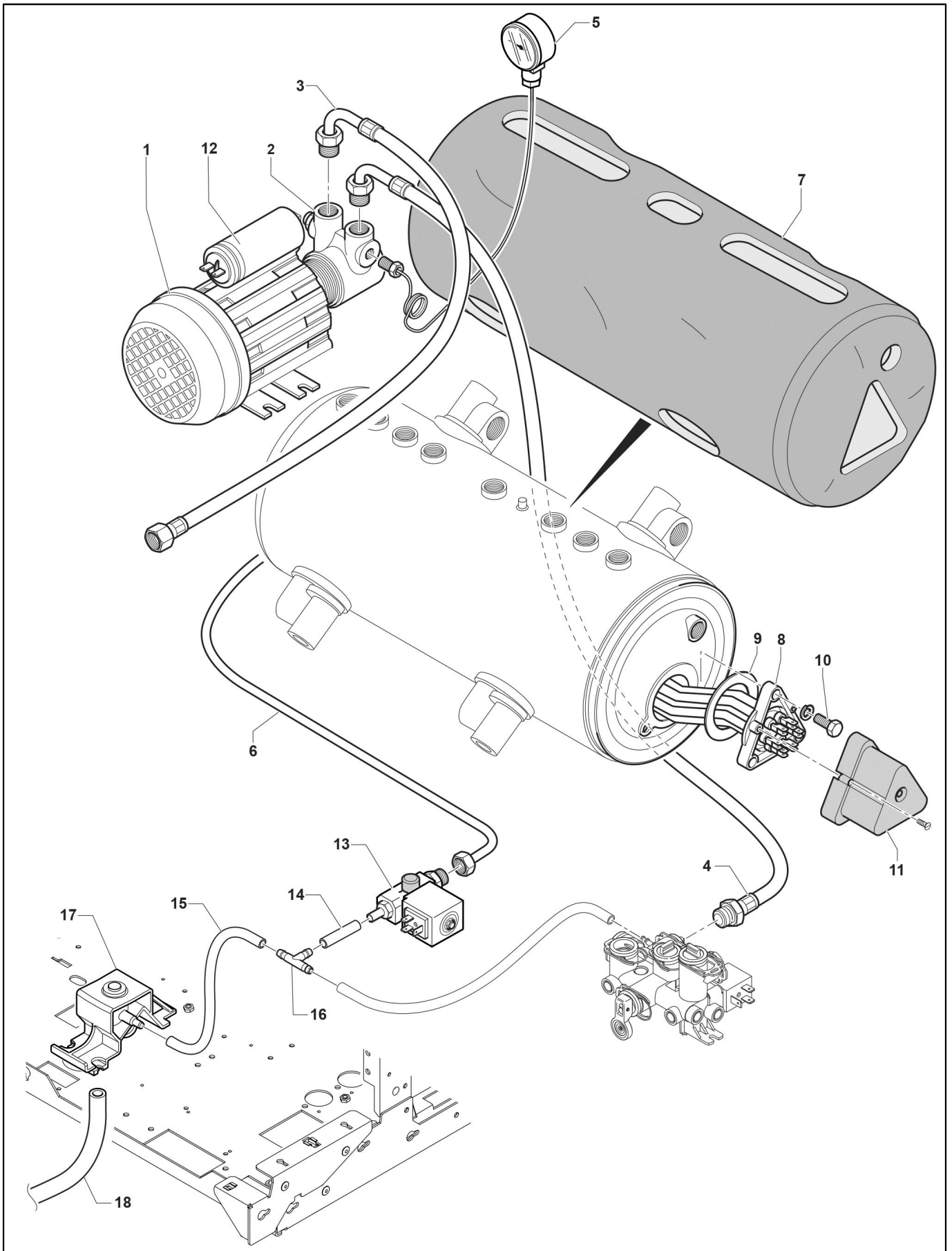
POS.	CODE	DESCRIPTION	NOTES
1	32331808	Heating Cup Warmer Classe 11 2Gr	
	32331809	Heating Cup Warmer Classe 11 3Gr	
	32331810	Heating Cup Warmer Classe 11 4Gr	
2	10705768A	Left Side Panel Classe 11 Bronze	
	10705768B	Left Side Panel Classe 11 White	
	10705768C	Left Side Panel Classe 11 Black	
3	10705770A	Lower Side Panel Left Classe 11 Bronze	
	10705770B	Lower Side Panel Left Classe 11 White	
	10705770C	Lower Side Panel Left Classe 11 Black	
4	10705761	Upper Rear Panel Classe 11 2Gr	
	10705762	Upper Rear Panel Classe 11 3Gr	
	10705763	Upper Rear Panel Classe 11 4Gr	
	42200123	Rancilio Plate Mm.145	
5	10705659	Rear Led 3Gr	USB version
	10705660	Rear Led 4Gr	USB version
	10705736	Rear Led 2Gr Xcelsius	Xcelsius Version
	10705737	Rear Led 3Gr Xcelsius	Xcelsius Version
	10705738	Rear Led 4Gr Xcelsius	Xcelsius Version
	10705793	Rear Led 2Gr Usb Classe 11	USB version
6	10705767A	Right Side Panel Classe 11 Bronze	
	10705767B	Right Side Panel Classe 11 White	
	10705767C	Right Side Panel Classe 11 Black	
7	10705769A	Lower Side Panel Right Classe 11 Bronze	
	10705769B	Lower Side Panel Right Classe 11 White	
	10705769C	Lower Side Panel Right Classe 11 Black	
8	38120545	Foot+Rubber Rear Side Classe 11	
9	38123568	Machine Foot	
10	32331975	Front Panel Classe 11 2Gr	
	32331976	Front Panel Classe 11 3Gr	
	32331977	Front Panel Classe 11 4Gr	
11	32331710	Protection Drain Tray 2Gr	
	32331711	Protection Drayn Tray 3Gr	
	32331712	Protection Drayn Tray 4Gr	
12	21300770	Upper Group Cover Classe 11 Chromed	Bronze version
	21300770A	Upper Group Cover Classe 11 Black	White/Black version
	21300772	Upper Group Cover Classe 11 X Chromed	Bronze Xcelsius version
	21300772A	Upper Group Cover Classe 11 X Black	White/Black Xcelsius version
13	10701140	Lower Group Cover With Cap	
14	38120548	Cap Groupcover Classe 11	
15	32331811	Cup Grate Classe 11 2Gr	
	32331812	Cup Grate Classe 11 3Gr	
	32331813	Cup Grate Classe 11 4Gr	
	32332030	Cup Tray grid/19 2gr	da/from S/N 10248962 13/1/17
	32332031	Cup Grate 3Gr Classe 11	da/from S/N 10248962 13/1/17
16	38120503	Lateral Grate Support C9	
17	10781368	ASSIEME BACINELLA 2GR. C11	da/from S/N 10248962 13/1/17
	10781369	ASSIEME BACINELLA 3GR. C11	da/from S/N 10248962 13/1/17
	32331814	Drain Tray Classe 11 2Gr	
	32331815	Drain Tray Classe 11 3Gr	
	32331816	Drain Tray Classe 11 4Gr	
	18	32551214A	Lower Front Classe 11 2Gr Bronze
32551214B		Lower Front Classe 11 2Gr White	
32551214C		Lower Front Classe 11 2Gr Black	
32551215A		Lower Front Classe 11 3Gr Bronze	
32551215B		Lower Front Classe 11 3Gr White	



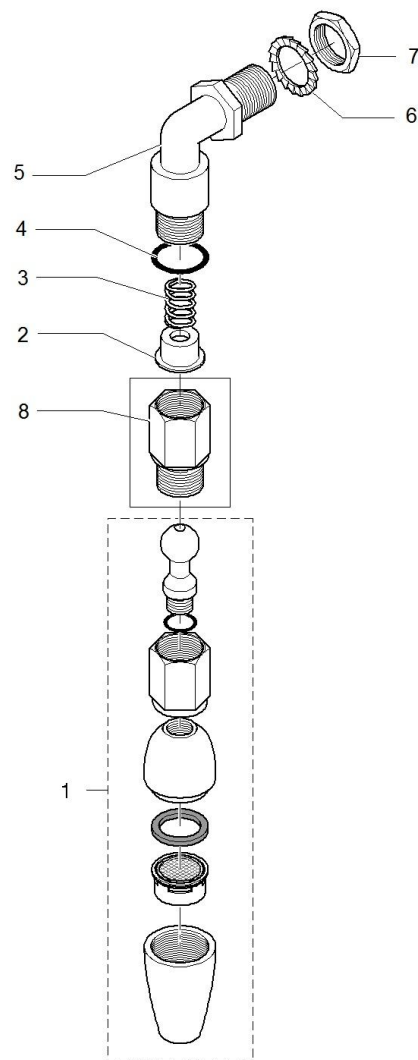
POS.	CODE	DESCRIPTION	NOTES
	32551215C	LOWER FRONT CLASSE 11 3GR BLACK	
	32551216A	Lower Front Classe 11 4Gr Bronze	
	32551216B	Lower Front Classe 11 4Gr White	
	32551216C	LOWER FRONT CLASSE 11 4GR BLACK	
19	10705764A	Lower Rear Panel Classe 11 2Gr Bronze	
	10705764B	Lower Rear Panel Classe 11 2Gr White	
	10705764C	Lower Rear Panel Classe 11 2Gr Black	
	10705765A	Lower Rear Panel Classe 11 3Gr Bronze	
	10705765B	Lower Rear Panel Classe 11 3Gr White	
	10705765C	Lower Rear Panel Classe 11 3Gr Black	
	10705766A	Lower Rear Panel Classe 11 4Gr Bronze	
	10705766B	Lower Rear Panel Classe 11 4Gr White	
	10705766C	Lower Rear Panel Classe 11 4Gr Black	
20	38120591	Cup Tray Grid Black	
21	21300771	Carter Steam Wand Classe 11 Chromed	
	21300771A	Steam Wand Protection Classe 11 Black	
22	32551226	Upper Cover Classe 11 2Gr	
	32551227	Upper Cover Classe 11 3Gr	
	32551228	Upper Cover Classe 11 4Gr	
23	42200137	Plate C11	
24	10705739	Rgb Led Group Classe 11	
25	38120536	Upper Bracket Left	
26	38120535	Upper Bracket Right	
27	36901803	Suction Pipe 29,6 X 25	21 CM
	36901806	Fan Pipe " X 25 Epdm	S/N 10214176 50cm
28	38120146	Fun Adapter Powder Module	
29	10110469	Air Suction Fan	
30	33122006	Cup Heater Element 2Gr	
	33122007	Cup Heater Element 3Gr	
	33122008	Cup Heater Element 4Gr	
31	34070232	Temperature Sensor Cup Warmer Classe 11	
32	35002509	Manometer Pompe 0-16 D. 44	
33	69000243	Pipe Capillary Manometer F1/8-M1/8	



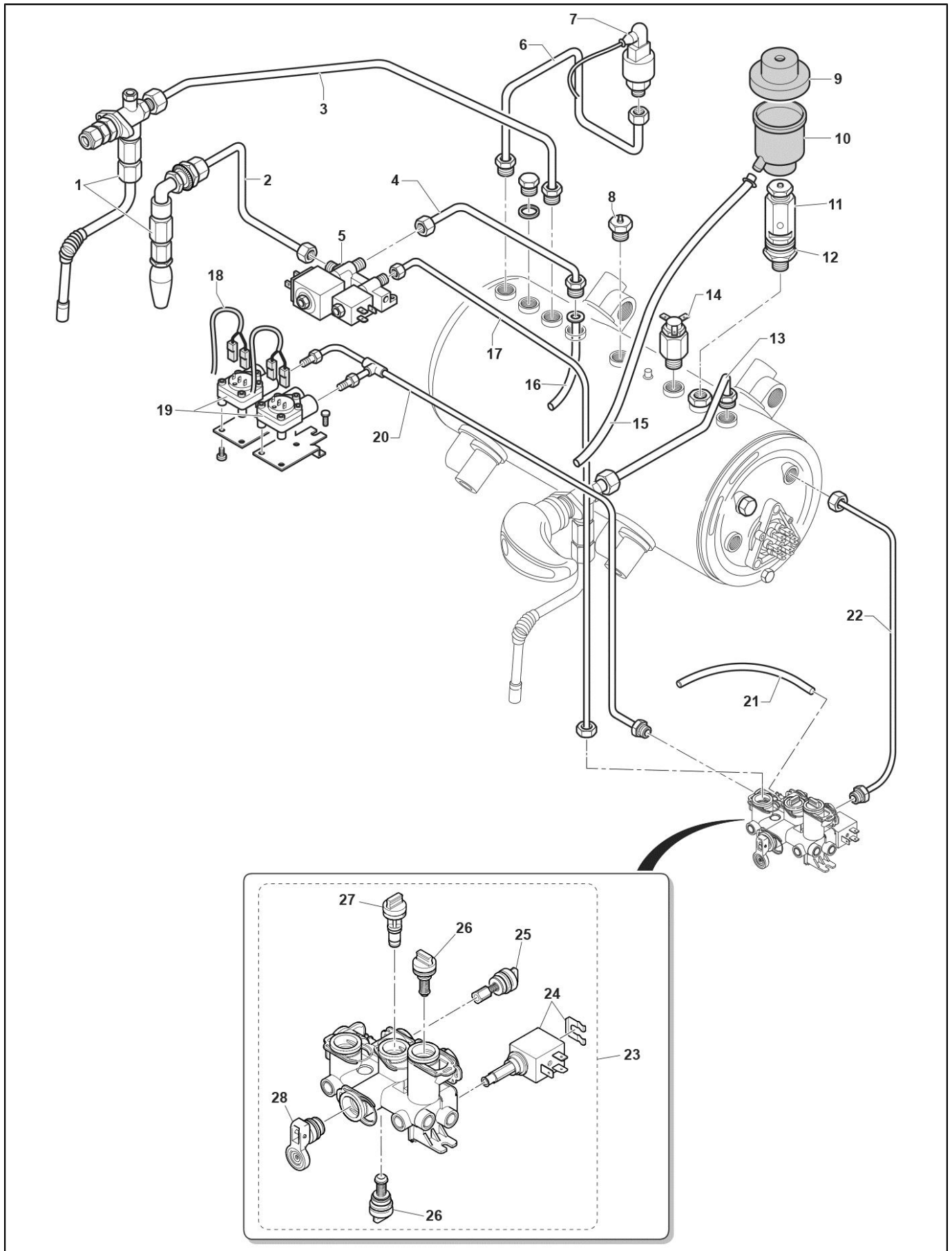
POS.	CODE	DESCRIPTION	NOTES
1	38120298	Group Protection Classe 11	
2	10700937	Thermoreg. Grouphead Cover Xcelsius Complete	
3	36404050	O-Ring 71,44 X 3,53 Epdm	
4	36301046	Group Gasket Perossidica Hp	
5	20200182	Shower Holder Brass	
6	25139001	Group Jetbreaker	
7	40200005	Shower Net	
8	34040151	Electrovalve 3/2 24V (Sirai)	
9	10051185	Group Xcelsius C9	
10	36402003	O-Ring 9,25 X 1,78 V 75Sh	
11	10060604	Group Head Jet Xcelsius	
12	34070115	Temperature Sensor Pt1000 1/8 Xcelsius Inox	dal S/N 10212693 utilizza sonda con cavo corto, retrofit kit sonda+prolunga 1070149 from S/N 10212693 probe has short wire, retrofit kit 10701149
13	00100300.001	Temperature Limiter 140 C	
14	36402005	O-Ring Electrovalve	
15	10090002 23000180	Therm.Group Jetbreaker Valve Extension Xcelsius	
16	37040520	Screw M5 X 10	
17	10701365	Drain Kit Xcelsius Group	



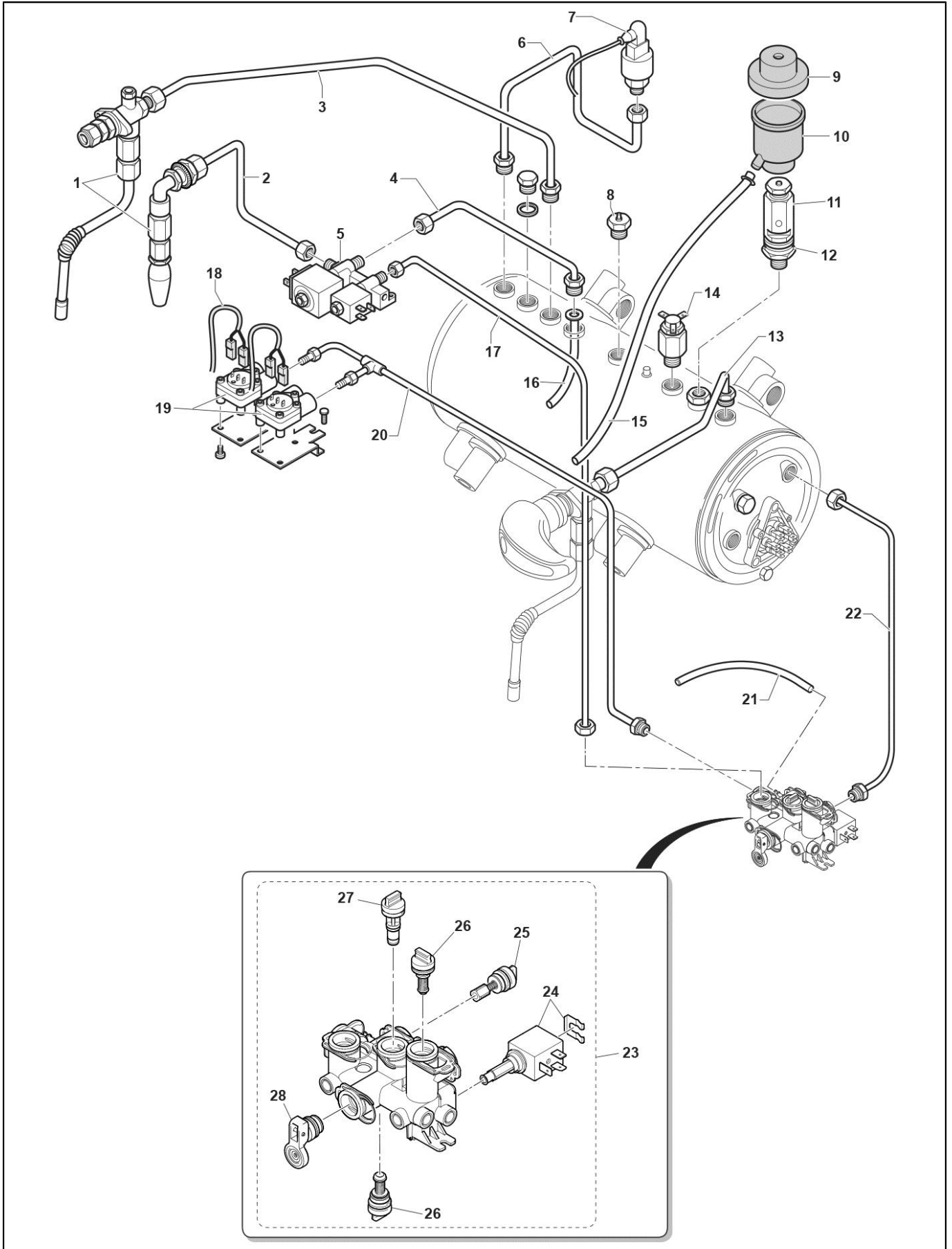
POS.	CODE	DESCRIPTION	NOTES
1	34011102	Vm Motor 230V	
2	69000993	Volumetric Pump Vm 200L/H "Rancilio"	
3	69000735	Flex Pipe Mm2300 With Elbow+Check Valve	
4	69000730	Flex Pipe M3/8 1060 Mm Elbow	
	69000738	Flex Pipe M3/8 1290 Mm Elbow	
5	35002509	Manometer Pompe 0-16 D. 44	
	69000243	Pipe Capillary Manometer F1/8-M1/8	
6	10043113	Drain Boiler Pipe 2 Gr.	
	10043114	Drain Boiler Pipe 3 Gr.	
	10043115	Drain Boiler Pipe 4 Gr.	
7	10701124	Boiler Insulation Classe 11 2Gr	
	10701125	Boiler Insulation Classe 11 3Gr	
	10701126	BOILER INSULATION CLASSE 11 4GR	
8	33323004	Heating Element Capill. 230V/4300W	
	33323006	Heating Element+Capillar 230V 6000W	
9	36930012	Gasket Resistance Teflon	
10	37040821	Screw M 8X22	
11	38123665	Cover Heating Element	
12	34020014	Capacitor 10Mf 220V UI Vm	
13	34040154	Electrovalve Drain Boiler 24V	
14	38228002	Silicone Hose D. 9X6X560	
15	38228002	Silicone Hose D. 9X6X560	
16	00049643	T Connector 6Mm	
17	38120511	Drain Train Canalizer	
18	36901802	Drain Tube 28X20X1500	
19	10701376	Boiler Retrofit Kit 2Gr	
	10701377	Boiler Retrofit Kit 3Gr	
	10701378	Boiler Retrofit Kit 4Gr	



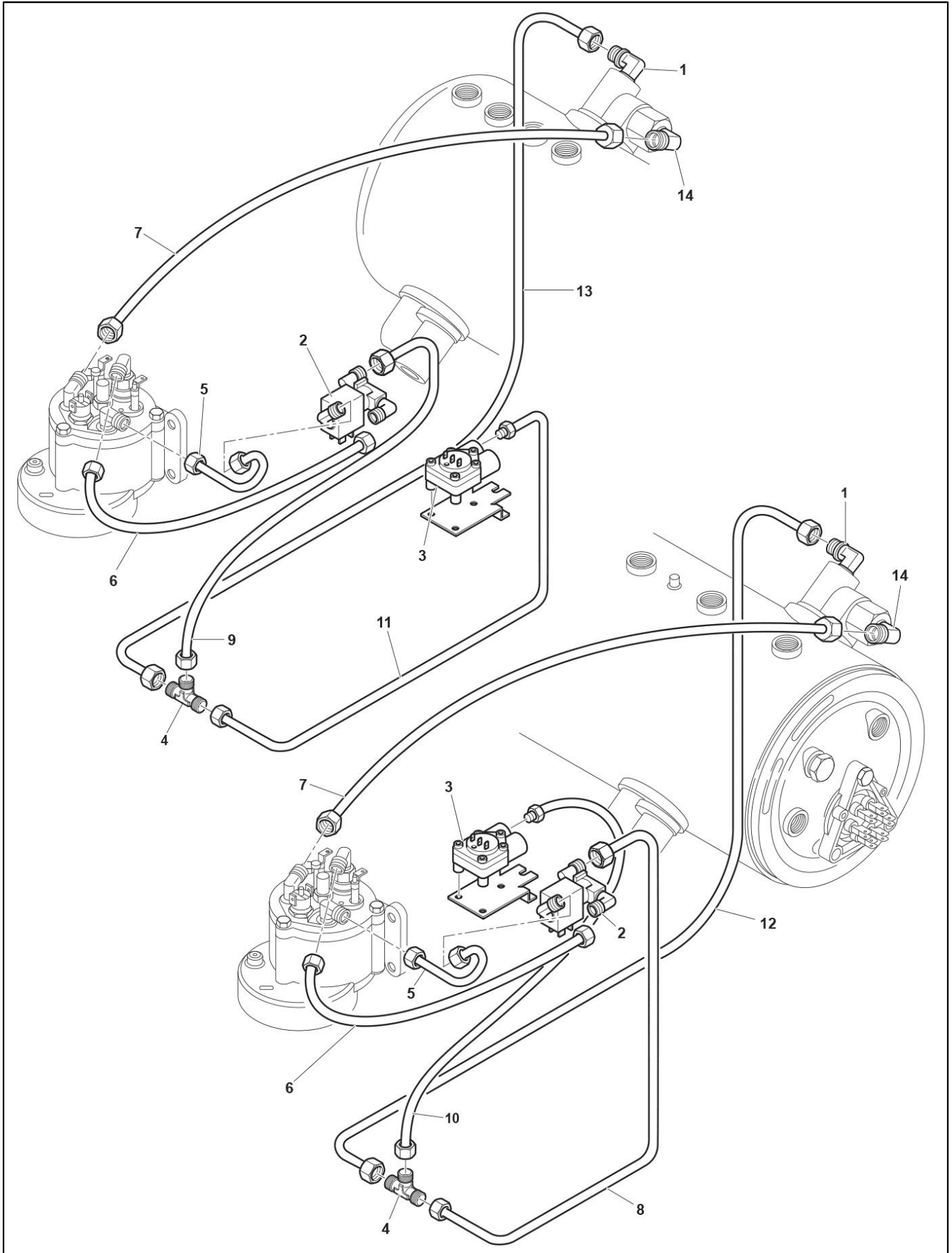
POS.	CODE	DESCRIPTION	NOTES
1	10049014	Water Outlet	
2	36930016	Gasket Teflon Connection Steam Wand	
3	39110038	Spring Connection Steam Tap	
4	36220009	Gasket Nut Note Teflon	
5	20200113	Hot Water Connection Brass	
6	37431600	Outer Toothed Washer D16	
7	26220005	Flat Nut 3/8	
8	23000413	Steam/Water Tap Extension	



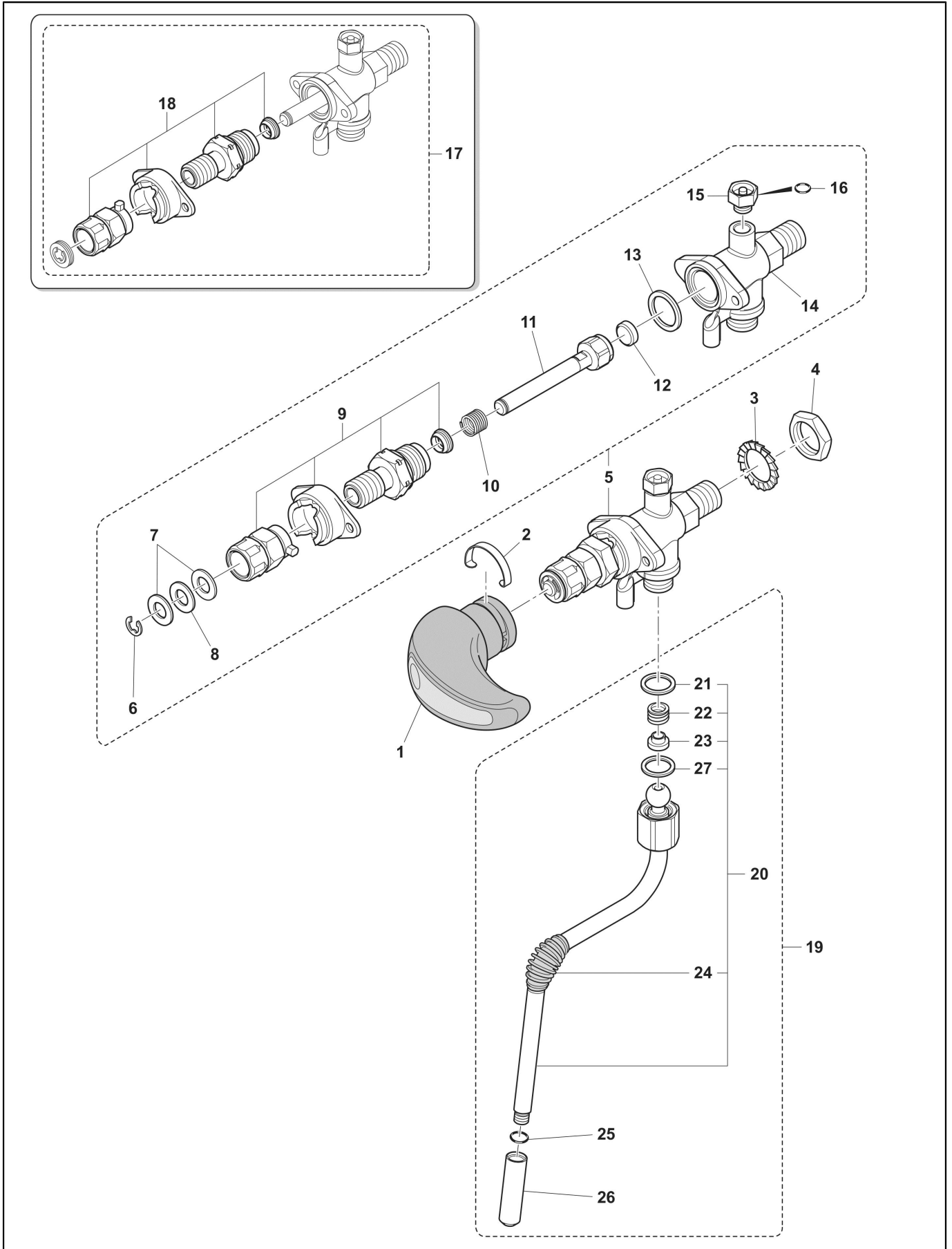
POS.	CODE	DESCRIPTION	NOTES
1	23000413	Steam/Water Tap Extension	
2	10043067	Pipe 8X6X210 F3/8-F3/8 2-3-4Gr.	solo economizzatore in ottone only brass economizer
	10043158	Pipe 8X6 Water Tap C11	plastic economizer economizzatore in plastica
3	10043217	Pipe 8 X 6 F3/8-M3/8 Steam Pipe Left-Boiler	
4	10043130	Pipe Economizer-Boiler Classe 11	for brass economizer per economizzatore in ottone
	10043157	Pipe 8X6 Boiler C9-C11	economizzatore in plastica plastic economizer
5	10705759	Economizer 24V/2016	
	10705788	Water Mixer 24V-Pps	
	34040197	Operator Kit 24V 2/2 T22 (Cold) Ppo	
	34040197	Operator Kit 24V 2/2 T22 (Cold) Ppo	
	34040198	Operator Kit 24V 2/2 T30 (Hot) Ppo	
	34040198	Operator Kit 24V 2/2 T30 (Hot) Ppo	
6	10043220	Pipe 8 X 6 Pressure Sensor Classe 7 Usb	
7	34200288	Pressure Sensor	
8	10060051	Antivacuum Valve With Weight	
9	38123946	Security Valve Top	
10	38123947	Drain Tank Security Valve	
11	10060525	Safety Valve 1,9Bar 3/8	
	10060533	Safety Valve 1,9 Bar 3/8" 2019	
12	23000359	Safety Valve Extension	
13	10043216	Pipe 8 X 6 F3/8-M3/8 Steam Pipe Right-Boiler	
14	10060374	Three-Level Probe	
15	38228002	Silicone Hose D. 9X6X560	
16	27120130	Hot Water Suction Pipe	
17	10042196	Pipe H.H.-Economizer 2Gr Classe 11	for brass economizer per economizzatore in ottone
	10042197	Pipe H.H.-Economizer 3Gr Classe 11	for brass economizer per economizzatore in ottone
	10042241	ECO TUBO MOD.IDR-ECONOM.2GR.C11 TALL	for brass economizer per economizzatore in ottone
	10042242	ECO TUBO MOD.IDR-ECONOM.3GR.C11 TALL	for brass economizer per economizzatore in ottone
	10042243	ECO TUBO MOD.IDR-ECONOM.4GR.C11 TALL	for brass economizer per economizzatore in ottone
	10042249	Pipe 6X4 H.H. 2Gr.C9-C11	for plastic economizer after 2018 per economizzatore in plastica dal 2018
	10042250	Pipe 6X4 H.H. 3Gr.C9-C11	for plastic economizer after 2018 per economizzatore in plastica dal 2018
	10042251	ECO TUBO 6X4 MOD.IDR.4GR.C9-C11	for plastic economizer after 2018 per economizzatore in plastica dal 2018
	10042252	Pipe 6X4 H.H. 2Gr.C9-C11 Tall	for plastic economizer after 2018 per economizzatore in plastica 2018
	10042253	Pipe 6X4 H.H. 3Gr.C9-C11 Tall	for plastic economizer after 2018 per economizzatore in plastica dal 2018
	10042254	ECO TUBO 6X4 MOD.IDR.4GR.C9-C11 TALL	for plastic economizer after 2018 per economizzatore in plastica dal 2018
18	10110402	Flowmeter Wiring 1/2Gr.	
	10110445	Wiring Fan 2-3-4 Gr.	
19	34070060	Flowmeter Horiz. Connection	
20	10046081	Pipe To Heating Exchanger 2Gr H.H.	
	10046086	Pipe Flowmeter 3Gr Xcelsius	



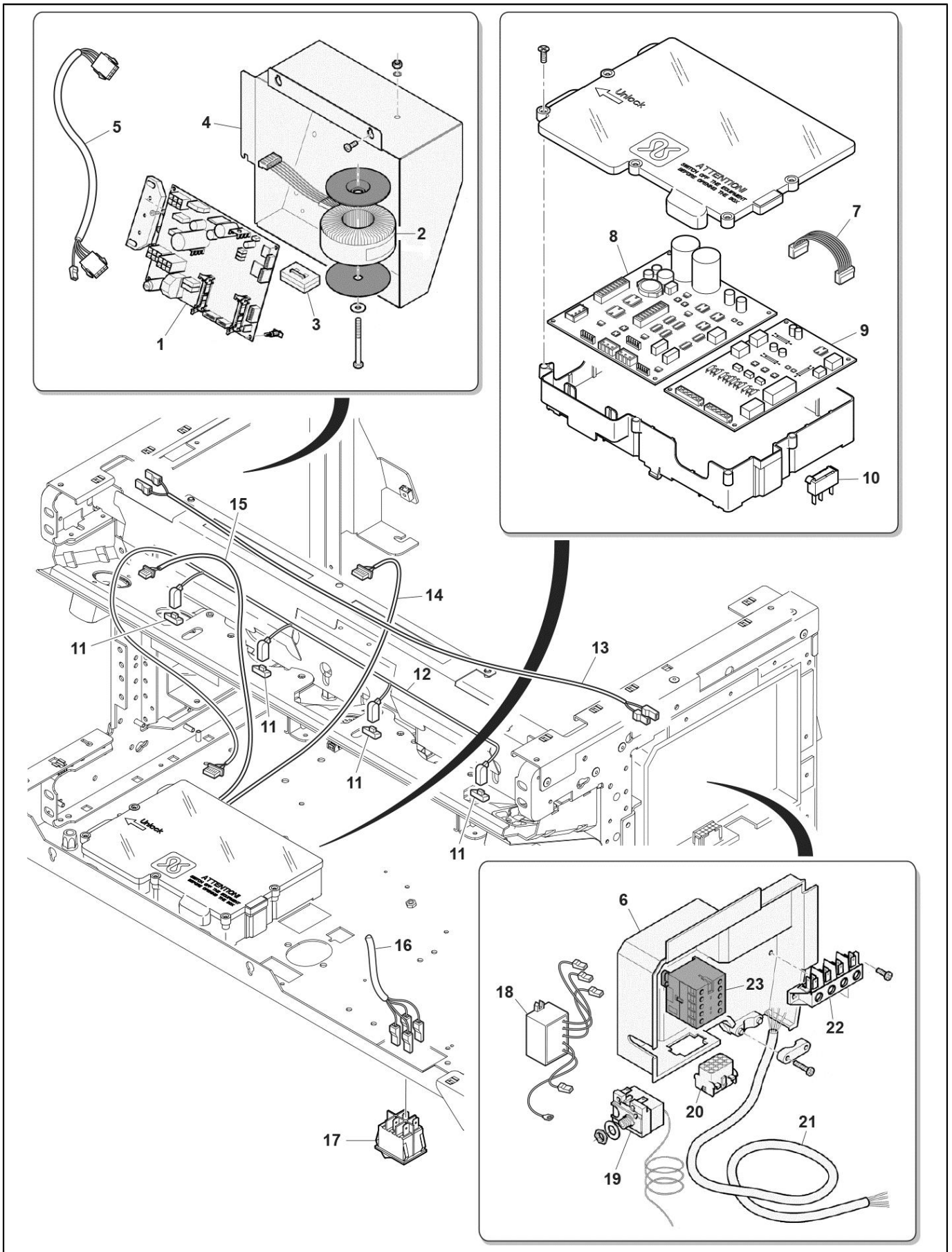
POS.	CODE	DESCRIPTION	NOTES
	10046087	Pipe Flowmeter 4Gr Xcelsius	
21	38228002	Silicone Hose D. 9X6X560	
22	10042031	ECO TUBO MOD.IDR-CARICO CALDAIA	
	10042152	Pipe 6 X 4 Hh-M3/8 Boiler Inlet Tall	
	36404052	O-Ring 9,16 X 2,62 F 3037	
23	10701244	Hydro Hub 24V	
24	69140013	Operator Kit 24V Hydraulic Module	
25	69140009	Pressure Relief Valve Hydraulic Module	
	69140010	Spring Pressure Relief Valve Hydraulic Module	
	69140011	Plunger Pressure Relief Valve Hydraulic Module	
	69140019	Pressure Relief Valve Cap	
26	69140016	Check Valve Cap	
	69140018	Spring Check Valve	
	69140047	Kit Check Valve Complete	
	69140048	Gummy+Bush	
27	69140006	Filter Hydraulic Module	
28	69140008	Manual Tap Hydraulic Module	



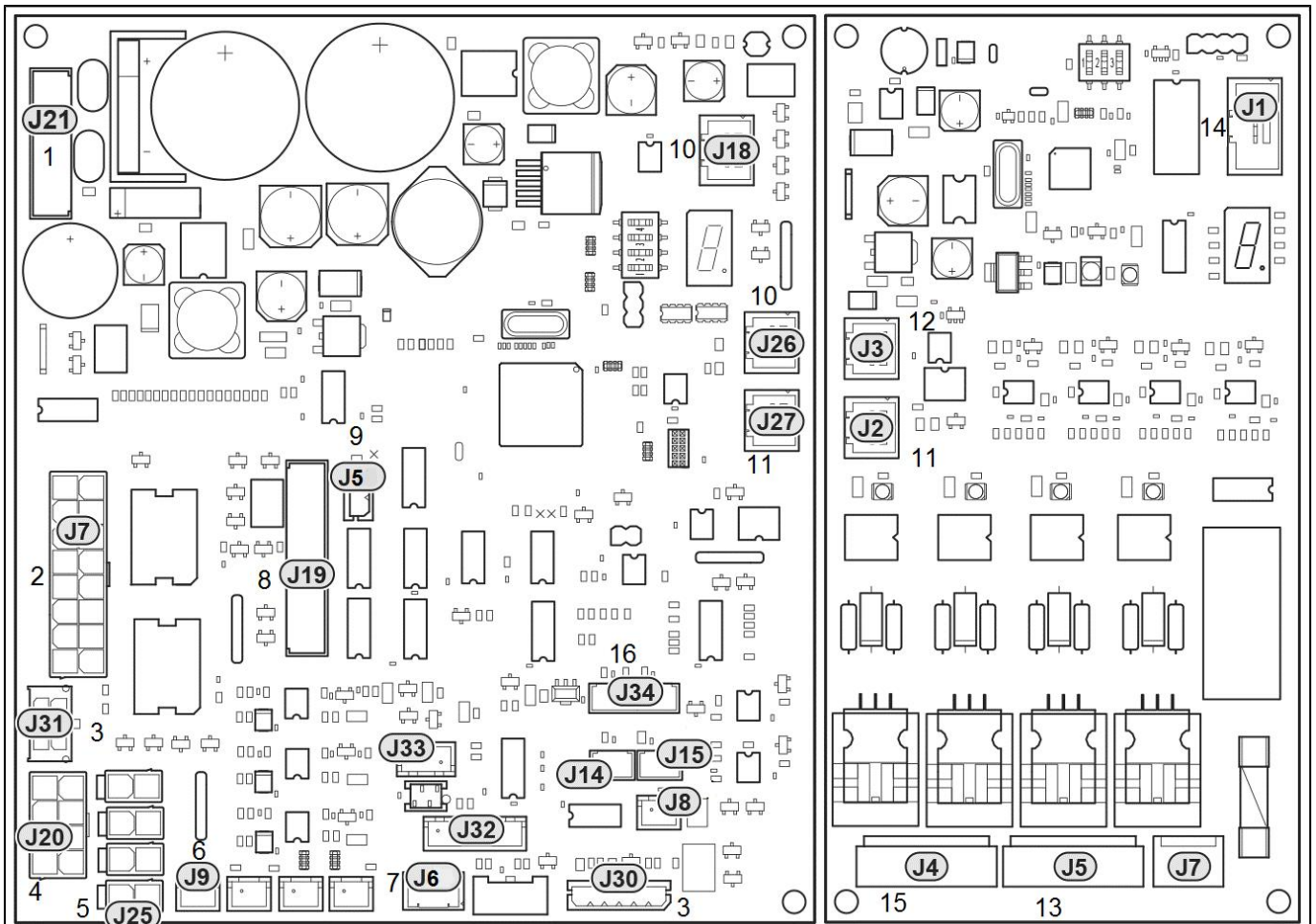
POS.	CODE	DESCRIPTION	NOTES
1	10042179	Injector Boiler Xcelsius	
	23000179	Connector Injector Xcelsius	
	30001031	Boiler Injector Pipe Xcelsius	
	69200102D	Elbow G1/8 Pipe D8	
2	10705466	Valve Profiling Classe 9 Xcelsius Assy.	
	10705467	Valve Profiling Classe 9 Xcelsius Tall Assy.	
3	34070060	Flowmeter Horiz. Connection	
4	69200104D	3Ways Connector D.8	
5	10700285	Pipe Grouphead Profiling Xcelsius (Short)	
6	10700286	Pipe Grouphead Profiling Xcelsius (Long)	
7	10700287	Pipe Grouphead Heating Exch. Xcelsius	
	23000185	Flow Limiter 1,1 Xcelsius	
8	10700288	Pipe Profiling T Right Xcelsius	
	10700298	Pipe Profiling T Right Xcelsius Tall	
9	10700289	Pipe Profiling T Left Xcelsius	
	10700297	Pipe Profiling T Left Xcelsius Tall	
10	10700294	Pipe T Flowmeter Right Xcelsius Tall	
	10700374	Pipe T-Flowmeter Right Gr. Xcelsius	
11	10700295	Pipe T Flowmeter Left Xcelsius Tall	
	10700375	Pipe T-Flowmeter Left Xcelsius Group	
12	10700292	Pipe T Heating Exch. Right Xcelsius	
13	10700293	Pipe T Heating Exch. Left Xcelsius	
14	69200103D	Elbow connector 4xG1/8	



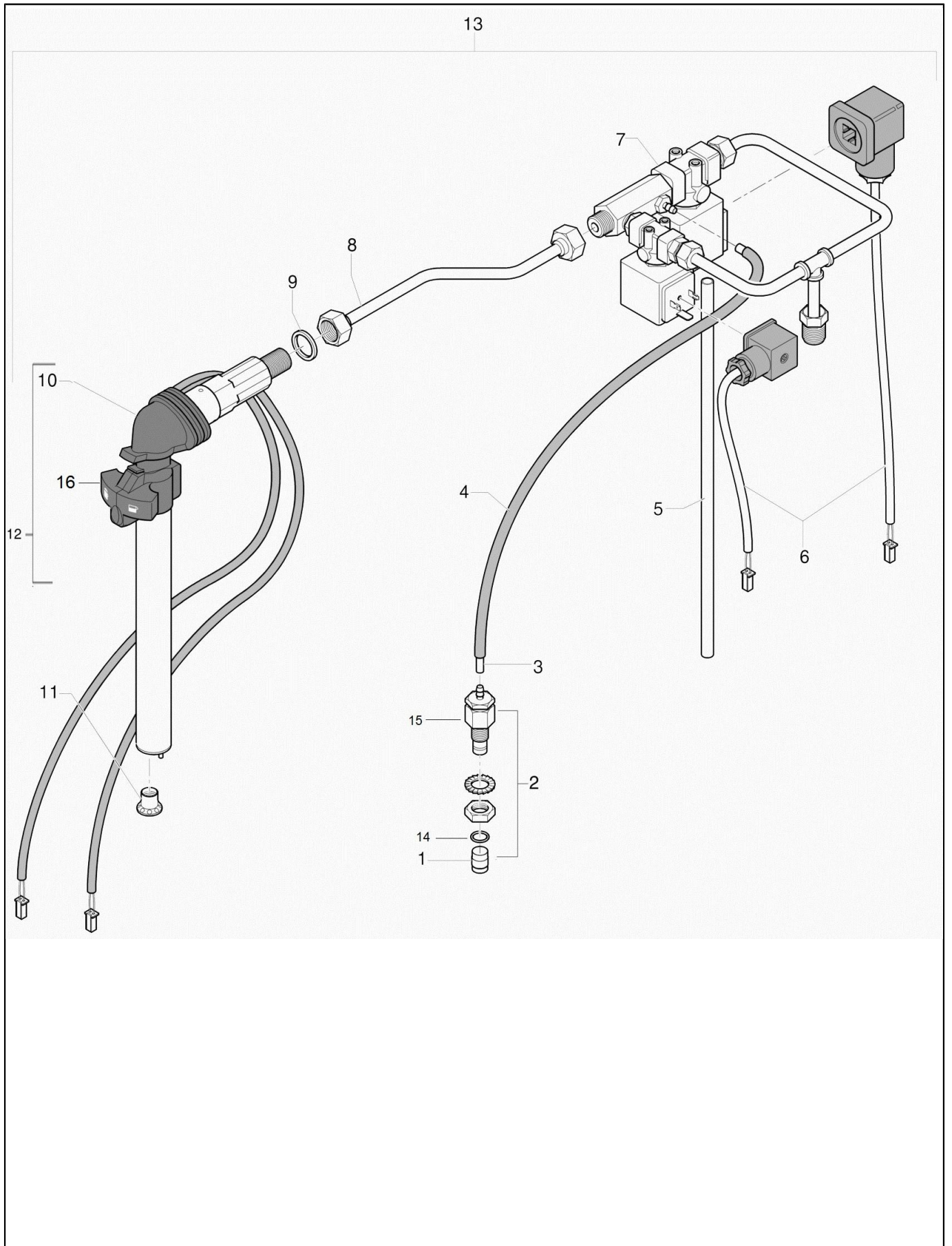
POS.	CODE	DESCRIPTION	NOTES
1	10060181	Handle Clever	
2	32210001	Steam Handle Spring	
3	37431600	Outer Toothed Washer D16	
4	26220005	Flat Nut 3/8	
5	10060148	Fast Steam Tap Right	
6	37510700	Snap Ring D. 7	
7	32239044	New Steam Cock Washer	
8	36230001	Teflon Washer	
9	10701239	Kit Clever/15 Cams Peek Right	
10	39110035	Water-Steam Cock Spring	
11	10060002	Rod+Nut And Steam Cock Gasket	
12	36301105	Gasket For Nut Steam Tap Epdm	
13	27400001	Gasket Copper Compass Re Group	
14	10701621	Steam Tap Body With Av. Valve/19	
15	10705180	Kit Av Valve Steam Tap	
16	36404058	O-Ring 3.68 X 1.78 Epdm 70Sh Teflon	
17	10060147	Fast Steam Tap Left	
18	10701240	Kit Clever/15 Cams Peek Left	
20	10049112	Steam Pipe Inox Lg 25	
21	36220009	Gasket Nut Note Teflon	
22	39110038	Spring Connection Steam Tap	
23	36930016	Gasket Teflon Connection Steam Wand	
24	36990004	Rubber For Steam Pipes	
25	36301050	O-Ring 6.4X1.9	
26	23212035	Steam Sprayer Lg44 D1.5	
27	36930017	Teflon Gasket For Steam Wand Nut	



POS.	CODE	DESCRIPTION	NOTES
1	10700985	Kit Power Board Sde12	
2	34200269	Transformer 140Va	
3			
4	10110390	Power Box Sde12	
5	10110795	Power Board Wiring Classe 11	
6	10110956	Electric Box 230 With Emc Filter	
7	10110273	Connection Xcelsius Board	
8	10701122	Kit Main Board Classe 11	
9	10701121	Kit Xcelsius Mainboard Classe 11	
10	34100022	Micro Electronic Box Classe 11	
11	10705683	Led Groups	
12	10110805	Wiring Illumination C11 2Gr	
	10110806	Wiring Illumination C11 3Gr	
	10110807	Wiring illumination C11 4GR	
13	10110772	Wiring Relay Boiler Overpressure	
14	10110810	Display Wiring Classe 11	
15	10110811	Can Bus Wiring Service Keyboard Classe 11	
16	10110792	Power Wiring 2Gr Classe 11	
	10110793	Power Wiring 3Gr Classe 11	
	10110794	Power Wiring 4Gr Classe 11	
17	34030145	Main Switch	
18	34021011	Emc Filter	
19	34200097	Save- Heating Element Ego Monof.	
20	10110655	Wiring Power	
21	34300073	Cavo H07Rn-F 5C.Sez.2,5 L=2000	
	34300079	Cavo H07Rn-F 5C.Sez.4 L=2500	
22	34150026	Clamp 4 Position	
23	34200332	Mini-Contactor 220-240V	



POS.	CODE	DESCRIPTION	NOTES
1	10110795	Power Board Wiring Classe 11	
2	10110796	ELECTROVALVE WIRING CLASSE 11 2 GR	
	10110797	ELECTROVALVE WIRING CLASSE 11 3 GR	
	10110798	ELECTROVALVE WIRING CLASSE 11 4 GR	
3	10110808	Isteam Wiring Classe 11	
4	10110802	SERVICE KEYBOARD WIRING CLASSE 11 2GR	
	10110803	Service Keyboard Wiring Classe 11 3Gr	
	10110804	SERVICE KEYBOARD WIRING CLASSE 11 4GR	
5			
6	34100022	Micro Electronic Box Classe 11	
7	10110799	LEVEL SENSOR CABLE 2GR	
	10110800	Level Sensor Cable 3Gr	
	10110801	LEVEL SENSOR CABLE 4GR	
8	10110805	Wiring Illumination C11 2Gr	
	10110806	Wiring Illumination C11 3Gr	
	10110807	Wiring illumination C11 4GR	
9	10110813	Wiring Rear Light Classe 11	
10	10110810	Display Wiring Classe 11	
11	10110273	Connection Xcelsius Board	only Classe 11 Xcelsius to connect the CPU and Xcelsius board
12	10110811	Can Bus Wiring Service Keyboard Classe 11	
13	10110815	Power Cable Classe 11 X 3Gr	only Classe 11 xcelsius
	10110816	Power Cable Classe 11 X 4Gr	only Classe 11 Xcelsius
14	10110817	Valve Wiring Classe 11 X 2Gr	only Classe 11 Xcelsius
	10110818	Valve Wiring Classe 11 X 3Gr	only Classe 11 Xcelsius
	10110819	Valve Wiring Classe 11 X 4Gr	only Classe 11 Xcelsius
15	10110814	Power Cable Classe 11 X 2Gr	only Classe 11 Xcelsius
16	10110854	Cable Cup Warmer Sensor 2Gr Classe 11	
	10110855	CABLE CUP WARMER SENSOR 3GR CLASSE 11	
	10110856	CABLE CUP WARMER SENSOR 4GR CLASSE 11	



POS.	CODE	DESCRIPTION	NOTES
1	23000092	Flow Limiter 0,25 Isteam/Yousteam	
	23000093	Flow Limiter 0,35 Isteam/Yousteam	
	23000192	Flow Limiter 0,15 Isteam	
2	10701437	Air Inlet Valve Isteam/17	
	32331854	Air Valve Bracket Isteam Classe 11	
3	38228016	Silicon Pipe D5X3	
4	34209124	Sheath Plaited Poliester UI94	
5	38228002	Silicone Hose D. 9X6X560	
6	10110808	Isteam Wiring Classe 11	
7	10705575	Assembly Elettr. -Venturi Isteam	
8	10043067	Pipe 8X6X210 F3/8-F3/8 2-3-4Gr.	
9	23000091	Distance Steam Tap Body Isteam	
10	36990017	Steam Shroud Isteam	
11	23000098V	Isteam Sprayer	
12	10705350	Kit Isteam Long	250mm
13	10701103	Retrofit Kit Isteam Classe 11	
14	36404013	O-Ring Silicone 2031	
15	36230017	Duckbill Valve	

Code	No. table	Pos.
	3000	3
	3005	5
00049643	2003	16
00100300.001	2006	13
10042031	2002	22
10042152	2002	22
10042179	2009	1
10042196	2002	17
10042197	2002	17
10042241	2002	17
10042242	2002	17
10042243	2002	17
10042249	2002	17
10042250	2002	17
10042251	2002	17
10042252	2002	17
10042253	2002	17
10042254	2002	17
10043067	2002	2
10043067	4000	8
10043113	2003	6
10043114	2003	6
10043115	2003	6
10043130	2002	4
10043157	2002	4
10043158	2002	2
10043216	2002	13
10043217	2002	3
10043220	2002	6
10046081	2002	20
10046086	2002	20
10046087	2002	20
10049014	2007	1
10049112	2008	20
10051185	2006	9
10060002	2008	11
10060051	2002	8
10060147	2008	17
10060148	2008	5
10060181	2008	1
10060374	2002	14
10060525	2002	11
10060533	2002	11
10060604	2006	11
10090002	2006	15
10110273	3000	7
10110273	3005	11
10110390	3000	4
10110402	2002	18
10110445	2002	18
10110469	1000	29
10110655	3000	20
10110772	3000	13
10110792	3000	16
10110793	3000	16
10110794	3000	16
10110795	3000	5
10110795	3005	1
10110796	3005	2
10110797	3005	2
10110798	3005	2
10110799	3005	7
10110800	3005	7
10110801	3005	7
10110802	3005	4
10110803	3005	4
10110804	3005	4

Code	No. table	Pos.
10110805	3000	12
10110805	3005	8
10110806	3000	12
10110806	3005	8
10110807	3000	12
10110807	3005	8
10110808	3005	3
10110808	4000	6
10110810	3000	14
10110810	3005	10
10110811	3000	15
10110811	3005	12
10110813	3005	9
10110814	3005	15
10110815	3005	13
10110816	3005	13
10110817	3005	14
10110818	3005	14
10110819	3005	14
10110854	3005	16
10110855	3005	16
10110856	3005	16
10110956	3000	6
10700285	2009	5
10700286	2009	6
10700287	2009	7
10700288	2009	8
10700289	2009	9
10700292	2009	12
10700293	2009	13
10700294	2009	10
10700295	2009	11
10700297	2009	9
10700298	2009	8
10700374	2009	10
10700375	2009	11
10700937	2006	2
10700985	3000	1
10701060	1001	6
10701061	1001	6
10701062	1001	6
10701066	1001	8
10701073	1001	7
10701074	1001	7
10701075	1001	7
10701103	4000	13
10701113	1001	1
10701114	1001	5
10701115	1001	5
10701116	1001	5
10701117	1001	9
10701118	1001	9
10701119	1001	9
10701120	1001	4
10701121	3000	9
10701122	3000	8
10701124	2003	7
10701125	2003	7
10701126	2003	7
10701140	1000	13
10701154	1001	4
10701239	2008	9
10701240	2008	18
10701244	2002	23
10701365	2006	17
10701376	2003	19
10701377	2003	19

Code	No. table	Pos.
10701378	2003	19
10701389	1001	3
10701390	1001	2
10701437	4000	2
10701621	2008	14
10705180	2008	15
10705350	4000	12
10705466	2009	2
10705467	2009	2
10705575	4000	7
10705659	1000	5
10705660	1000	5
10705683	3000	11
10705736	1000	5
10705737	1000	5
10705738	1000	5
10705739	1000	24
10705759	2002	5
10705761	1000	4
10705762	1000	4
10705763	1000	4
10705764A	1000	19
10705764B	1000	19
10705764C	1000	19
10705765A	1000	19
10705765B	1000	19
10705765C	1000	19
10705766A	1000	19
10705766B	1000	19
10705766C	1000	19
10705767A	1000	6
10705767B	1000	6
10705767C	1000	6
10705768A	1000	2
10705768B	1000	2
10705768C	1000	2
10705769A	1000	7
10705769B	1000	7
10705769C	1000	7
10705770A	1000	3
10705770B	1000	3
10705770C	1000	3
10705788	2002	5
10705793	1000	5
10781368	1000	17
10781369	1000	17
20200113	2007	5
20200182	2006	5
21300770	1000	12
21300770A	1000	12
21300771	1000	21
21300771A	1000	21
21300772	1000	12
21300772A	1000	12
23000091	4000	9
23000092	4000	1
23000093	4000	1
23000098V	4000	11
23000179	2009	1
23000180	2006	15
23000185	2009	7
23000192	4000	1
23000359	2002	12
23000413	2002	1
23000413	2007	8
23212035	2008	26
25139001	2006	6

Code	No. table	Pos.
26220005	2007	7
26220005	2008	4
27120130	2002	16
27400001	2008	13
30001031	2009	1
32210001	2008	2
32239044	2008	7
32331710	1000	11
32331711	1000	11
32331712	1000	11
32331808	1000	1
32331809	1000	1
32331810	1000	1
32331811	1000	15
32331812	1000	15
32331813	1000	15
32331814	1000	17
32331815	1000	17
32331816	1000	17
32331854	4000	2
32331975	1000	10
32331976	1000	10
32331977	1000	10
32332030	1000	15
32332031	1000	15
32551214A	1000	18
32551214B	1000	18
32551214C	1000	18
32551215A	1000	18
32551215B	1000	18
32551215C	1000	18
32551216A	1000	18
32551216B	1000	18
32551216C	1000	18
32551226	1000	22
32551227	1000	22
32551228	1000	22
33122006	1000	30
33122007	1000	30
33122008	1000	30
33323004	2003	8
33323006	2003	8
34011102	2003	1
34020014	2003	12
34021011	3000	18
34030145	3000	17
34040151	2006	8
34040154	2003	13
34040197	2002	5
34040197	2002	5
34040198	2002	5
34040198	2002	5
34070060	2002	19
34070060	2009	3
34070115	2006	12
34070232	1000	31
34100022	3000	10
34100022	3005	6
34150026	3000	22
34200097	3000	19
34200269	3000	2
34200288	2002	7
34200332	3000	23
34209124	4000	4
34300073	3000	21
34300079	3000	21
35002509	1000	32

Code	No. table	Pos.
35002509	2003	5
36220009	2007	4
36220009	2008	21
36230001	2008	8
36230017	4000	15
36301046	2006	4
36301050	2008	25
36301105	2008	12
36402003	2006	10
36402005	2006	14
36404013	4000	14
36404050	2006	3
36404052	2002	22
36404058	2008	16
36901802	2003	18
36901803	1000	27
36901806	1000	27
36930012	2003	9
36930016	2007	2
36930016	2008	23
36930017	2008	27
36990004	2008	24
36990017	4000	10
37040520	2006	16
37040821	2003	10
37431600	2007	6
37431600	2008	3
37510700	2008	6
38120146	1000	28
38120298	2006	1
38120503	1000	16
38120511	2003	17
38120535	1000	26
38120536	1000	25
38120545	1000	8
38120548	1000	14
38120591	1000	20
38123568	1000	9
38123665	2003	11
38123946	2002	9
38123947	2002	10
38228002	2002	15
38228002	2002	21
38228002	2003	14
38228002	2003	15
38228002	4000	5
38228016	4000	3
39110035	2008	10
39110038	2007	3
39110038	2008	22
40200005	2006	7
42200123	1000	4
42200137	1000	23
69000243	1000	33
69000243	2003	5
69000730	2003	4
69000735	2003	3
69000738	2003	4
69000993	2003	2
69140006	2002	27
69140008	2002	28
69140009	2002	25
69140010	2002	25
69140011	2002	25
69140013	2002	24
69140016	2002	26
69140018	2002	26

Code	No. table	Pos.
69140019	2002	25
69140047	2002	26
69140048	2002	26
69200102D	2009	1
69200103D	2009	14
69200104D	2009	4



Headquarters, Production Plant and R&D Centers

Rancilio Group s.p.a.

Viale della Repubblica 40
20010 Villastanza di Parabiago
Milano - Italy
Tel +39 0331 408200
Fax +39 0331 551437
www.ranciliogroup.com
info@ranciliogroup.com

Egro Suisse AG

Bahnhofstrasse 66
5605 Dottikon, Switzerland
Tel. +41 (0)56 616 95 95
Fax +41 (0)56 616 95 97
www.egrocoffee.com
info@egrocoffee.com

Worldwide Branch Locations

SPAIN

RancilioGroup Espana, s.a.
Gran Via de Carlos III, 84 3ª
Edificio Trade
08028 Barcelona - Spain
Tel. +34 902 884 275
Tel. +34 934 923 414
Fax +34 934 965 701
www.ranciliogroup.com
info-es@ranciliogroup.com

PORTUGAL

Rancilio Group Portugal Lda
Estrada da Falagueira nº 68 E
2700-365 Amadora-Lisboa - Portugal
Tel. +351 21 019 10 91
Fax +351 21 019 10 91

Rua Nova do Seixo 1282
4465-706 Leça do Balio-Porto - Portugal
Tel. +351 22 010 14 19
Fax +351 22 010 14 19
www.ranciliogroup.com
info-pt@ranciliogroup.com

GERMANY

Rancilio Group Deutschland GmbH
Talstrasse 27
97990 Weikersheim - Germany
Ph. +49 7934 99 29 30
Fax +49 7934 99 29 330
www.ranciliogroup.de
info-de@ranciliogroup.com

SWITZERLAND

Egro Suisse AG
Bahnhofstrasse 66
5605 Dottikon - Switzerland
Tel. +41 (0)56 616 95 95
Fax +41 (0)56 616 95 97
www.egrosuisse.ch
info@egrosuisse.ch

USA/CANADA

Rancilio Group North America Inc.
1340 Internationale Parkway / Suite 200
Woodridge, IL 60517 - U.S.A.
Ph: +1 630 914 7900
Fax: +1 630 914 7901
Toll Free: +1 877 726 2454
www.ranciliogroup.com
info@ranciliogroupna.com

