



coffeeing the World

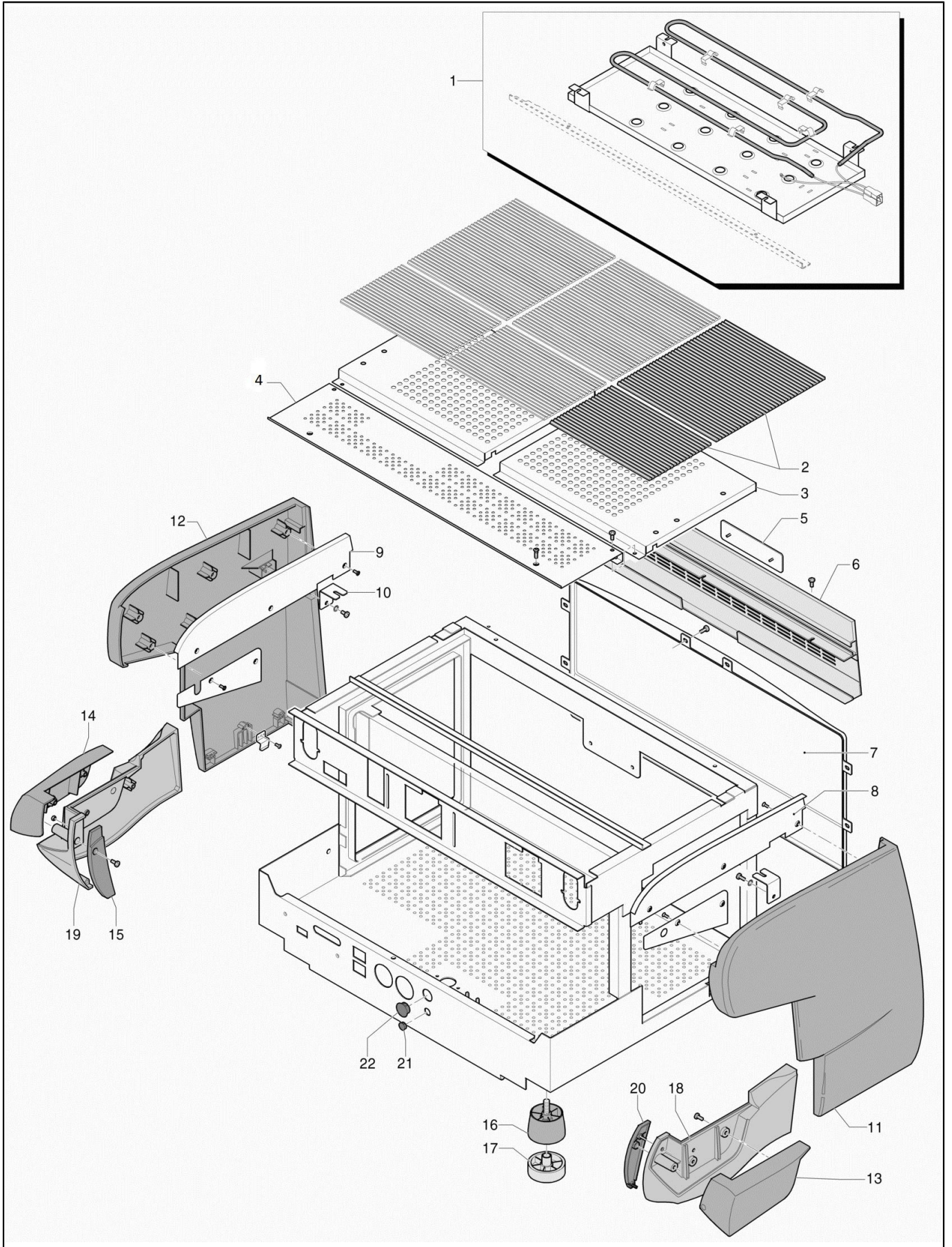
CLASSE 10 USB/07



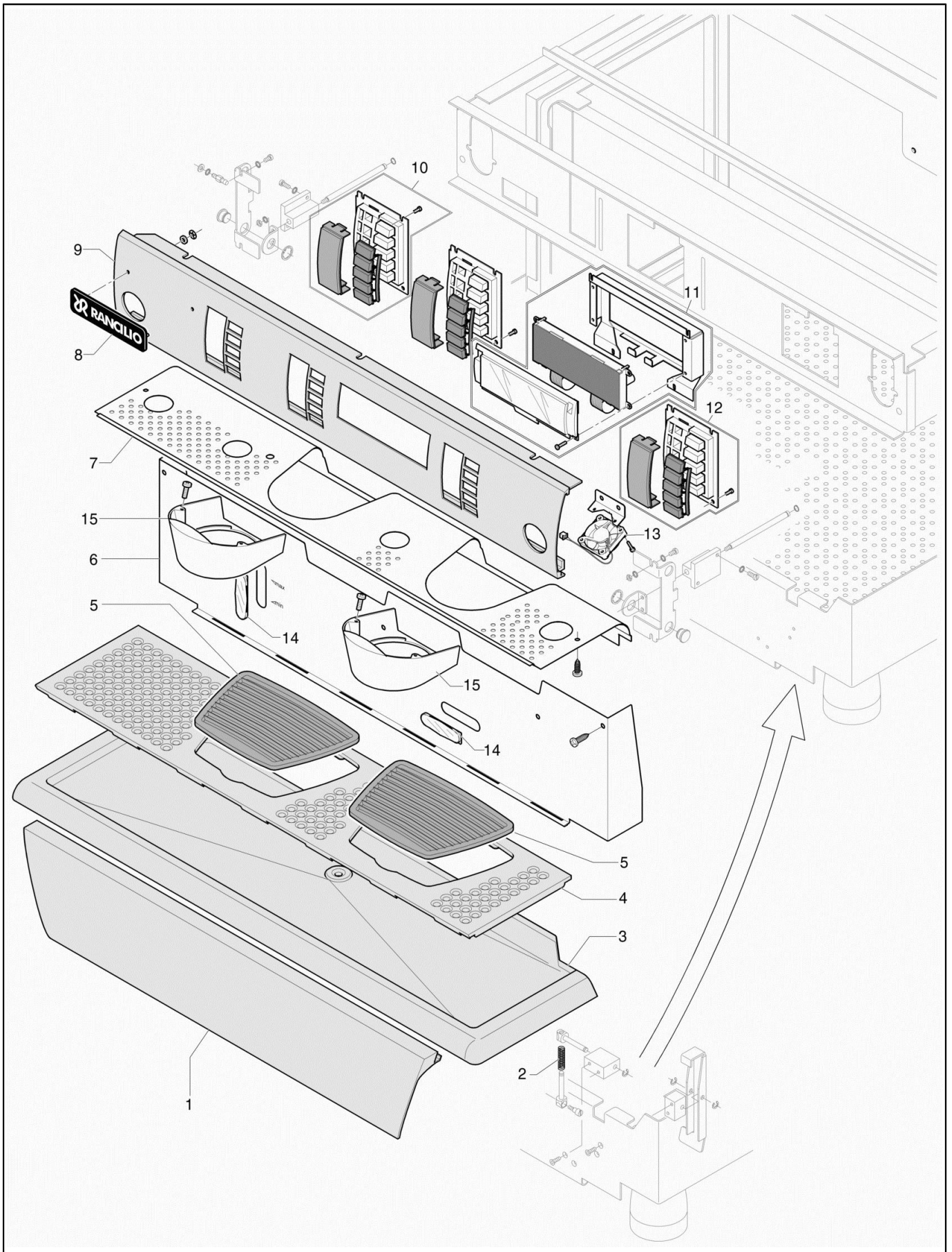
CLASSE 10

Index

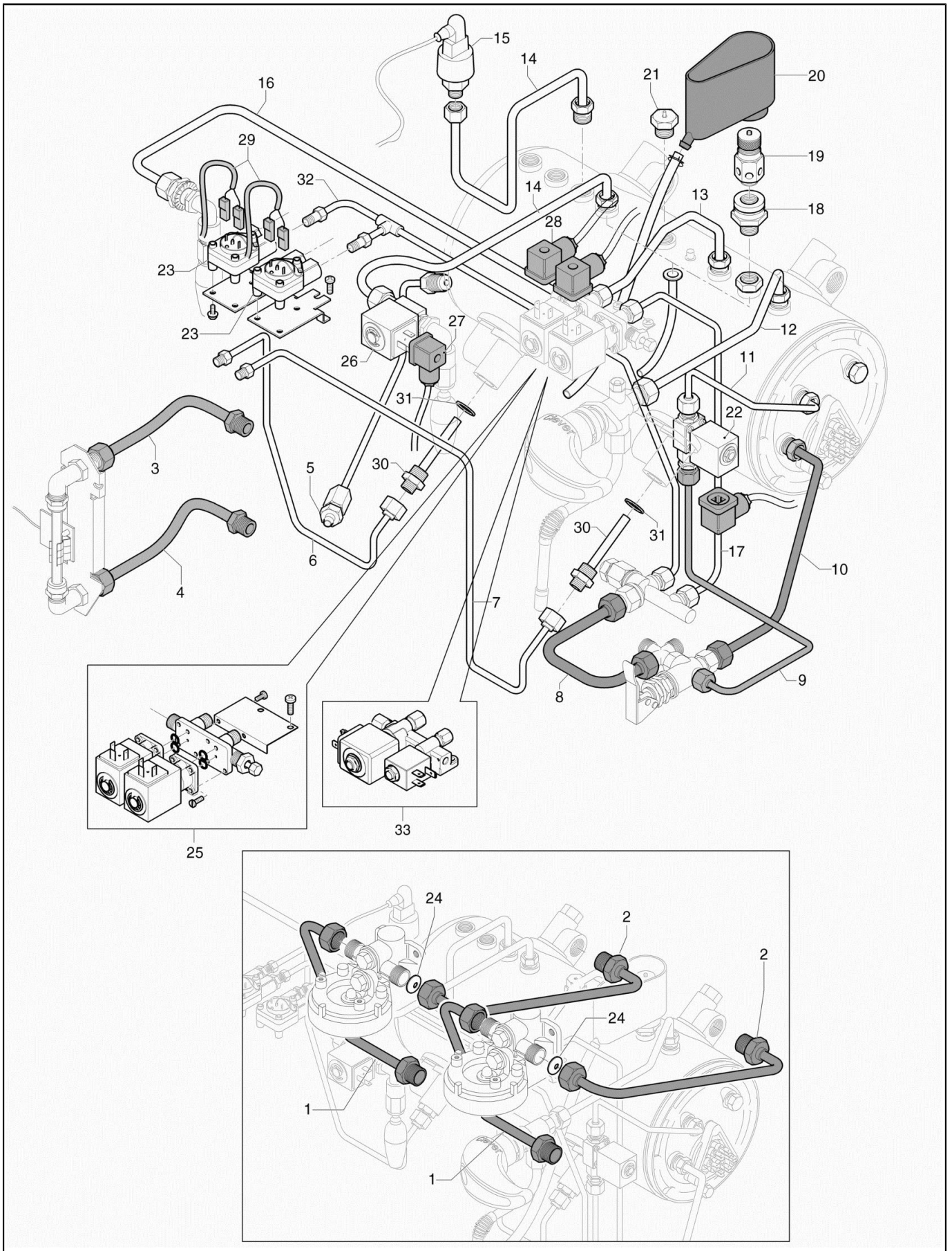
Table 1000 - Body.....	4
Table 1001 - CONTROL PANEL USB.....	6
Table 2000 - HYDRAULIC CIRCUIT USB.....	8
Table 2009 - LEVEL INDICATOR.....	10
Table 2001 - HEATING ELEMENT/CHECK EXP. VALVE USB.....	12
Table 2011 - HYDRAULIC MODULE USB.....	14
Table 2002 - Water spout	16
Table 2003 - Clever Steam Tap	18
Table 2007 - BREWING GROUP 24V.....	20
Table 3001 - Motor and pump unit.....	22
Table 3000 - Electric Part/Electronic.....	24
Table 4000 - GAS PLANT.....	26
Table 4001 - ISTEAM.....	28
Alphanumeric index.....	30



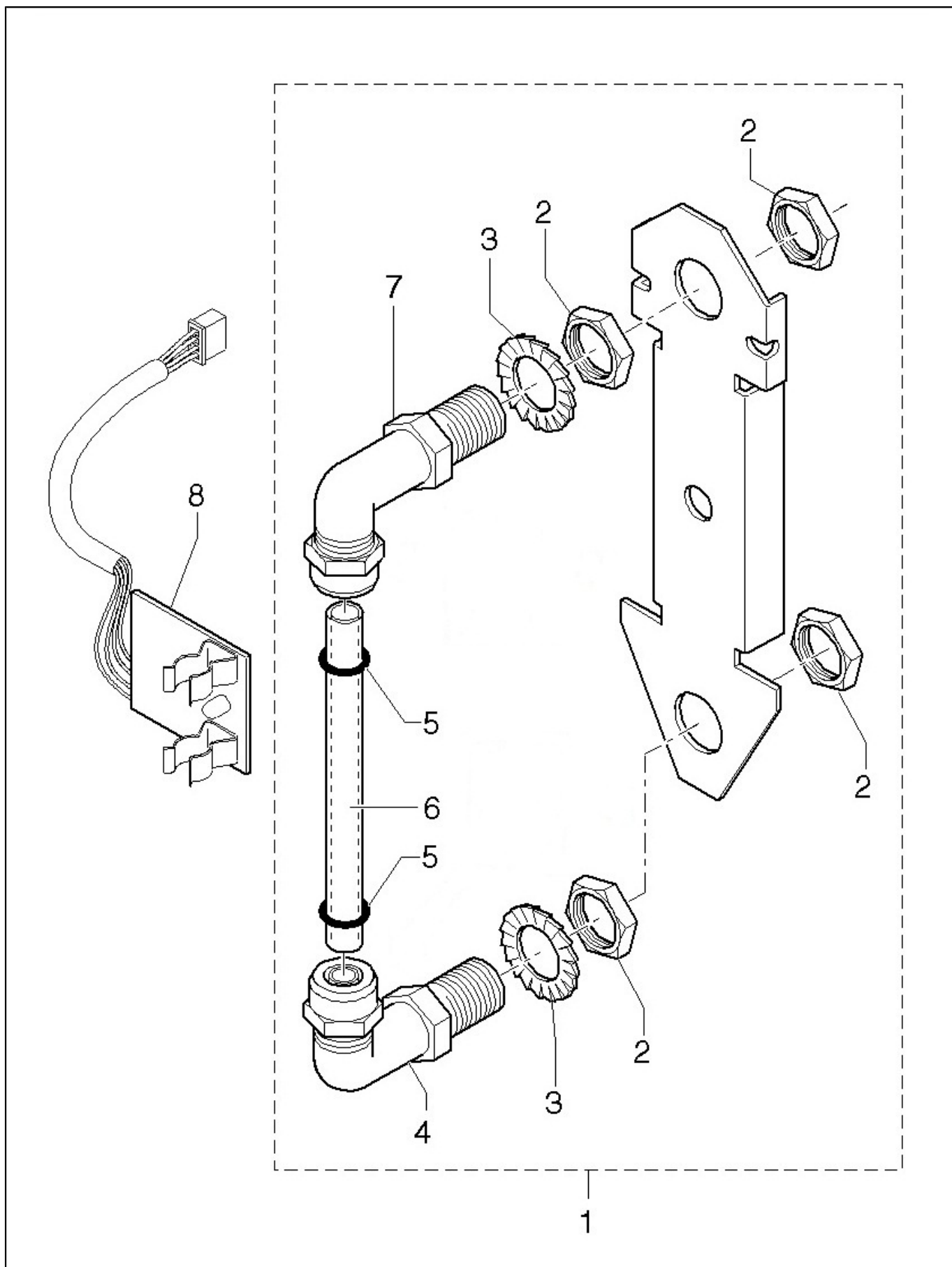
POS.	CODE	DESCRIPTION	NOTES
1	10700276	KIT CUPWARMER 2GR + SCREWS SET	
	10700277	KIT CUPWARMER 3GR + SCREWS SET	
	10700278	KIT CUPWARMER 4GR + SCREWS SET	
2	38123921	HEATING CUPS GRATE	
3	10705374	SET CUP-WARMER GRATES INOX 2GR	
	10705375	SET CUP-WARMER GRATES INOX 3GR.	
	10705376	SET CUP-WARMER GRATES INOX 4 GR.	
4	32330979	GROUP COVER BAND 2GR	
	32330980	GROUP COVER BAND 3GR	
	32330981	GROUP COVER BAND 4GR	
5	42200123	RANCILIO PLATE MM.145	
6	24902044	REAR BOARD 2GR. CL 10/07	
	24902045	REAR BOARD 3GR. CL 10/08	
	24902046	REAR BOARD 4GR. CL 10/09	
7	31312012B	FRONT PANEL 2GR.GREY CL10/07	
	31312013B	FRONT PANEL 3GR.GREY CL10/07	
	31312014B	FRONT PANEL 4GR.GREY CL10/07	
8	32330990	SUPPORT DX	
9	32330991	SUPPORT SX	
10	32330992	SUPPORT SQUARE	
11	10705476	SIDE PANEL DX CL 10/07	
12	10705477	SIDE PANEL SX CL 10/07	
13	38123668	GUARD BAND SIDE PANEL SX CL10/07	
14	38123667	GUARD BAND SIDE PANEL DX CL10/07	
15	38123674	STOPPER SIDE PANEL SX CL10/07	
16	38123568	COFFEE MACHINE LEG	
17	38123852	RISER FOR COFFEE MACHINE LEG	
18	21300766B	LOWER SIDE PANEL RUGHT CL10/07 GREY	
19	21300765B	LOWER SIDE PANEL LEFT CL10/07 GREY	
20	38123673	STOPPER SIDE PANEL DX CL10/07	
21	38221005	CAP DIAM. 13	
22	38221004	CAP D. 22	
23	37175012	SCREW M5 X 12MM	side panel/back panel/top panel



POS.	CODE	DESCRIPTION	NOTES
1	24902040	LOWER DOOR 2GR. C10/07 -AL-	
	24902041	LOWER DOOR 3GR. C10/07 -AL-	
	24902042	LOWER DOOR 4GR. C10/07 -AL-	
2	10701128	KIT CLOSING MECHANISM CLASSE 10	
	39110037	SPRING LOCK LOWER DOOR	
3	32330542	Drain tray 3GR	
	32330543	Drain tray 4GR	
	32330974	Drain tray 2GR	
4	32331322	Cup tray C10/07 2Gr	
	32331323	Cup tray C10/07 3Gr	
	32331324	Cup tray 4Gr	
5	38120591	CUP TRAY GRID BLACK	
6	32331007	FRONT PANEL 2 GR	
	32331008	FRONT PANEL 3 GR	
	32331009	FRONT PANEL 4 GR	
7	32331327	SUB GROUP BAND 2GR.	
	32331328	SUB GROUP BAND 3GR.	
	32331329	SUB GROUP BAND 4GR.	
8	42200122	RANCILIO PLATE MM115	
9	24902031	Control panel USB CL 10/07 2GR.	
	24902032	Control panel USB CL 10/07 3GR.	
	24902033	Control panel USB CL 10/07 4GR.	
10	10705340	FUNCTIONS PANEL CL10/07 USB	
11	10705562	Display C10/07 USB	
12	10705348	CAFFE PANEL C10/07 USB	
13	10110470	DISPLAY FAN	
14	38123856	LEVEL WATCH GLASS	
15	21300760	GROUP COVER C10 CHROMED	
16	37154212	SCREW 4,2X13	front panel/control panel
17	37040412	SCREW M4 X 10 TSP PH	lower band
18	37030521	SCREW M5X12	group cover

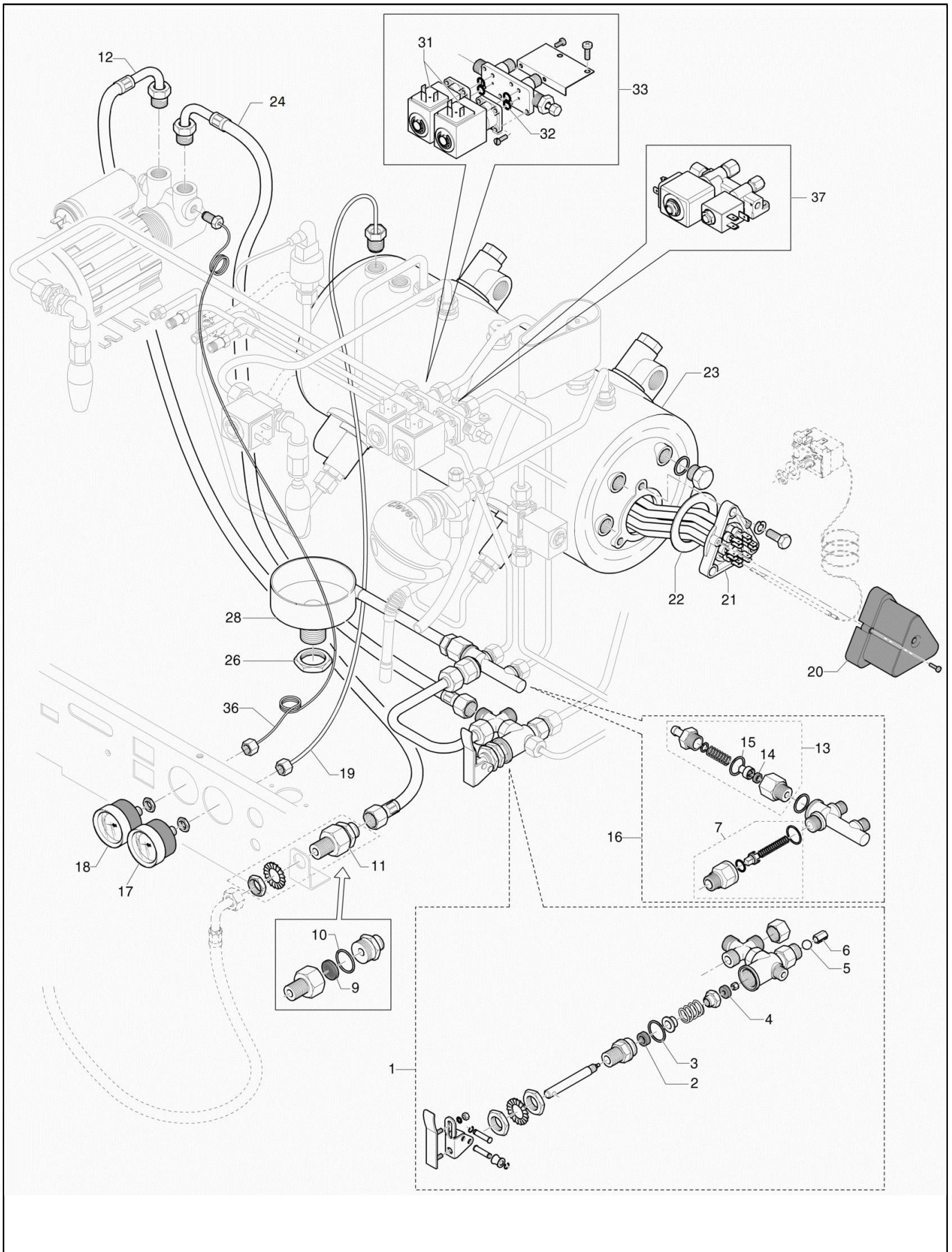


POS.	CODE	DESCRIPTION	NOTES
1	10044053	CIRCULATION PIPE 10 X 8 F1/2-M1/2	
2	10044054	CIRCULATION PIPE 10 X 8 F1/2-M1/2	
3	10044039	UPPER PIPE LEVEL INDICATOR 10X8 F3/8-M3/8	
4	10044061	PIPE LEVEL 10 X 8 F3/8-M3/8	
5	10043007	BOILER DISCHARGE PIPE COMPL.	
6	10042218	PIPE 6X4X410	
7	10042238	PIPE FLOWMETER HEAT EXCHANGER	
8	10044083	PIPE 10X8X190	
9	10042094	PIPE 6 X 4 X MML = 350 MM	
10	10043151	PIPE 8 X 6 F3/8-M3/8 STEAM TAP RIGHT CLASSE 9 TALL	
11	10042022	TUBE 6X4X230	
12	10043044	PIPE 8 X 6 X MML = 320 MM	
13	10043130	PIPE ECONOMIZER-BOILER CLASSE 11	4 GR
	10043134	PIPE ECONOMIZER-BOILER CLASSE 9 3GR	3 GR
	10043149	PIPE ECONOM-WATER TAP GREEN	2GR
14	10043039	PIPE 8 X 6 X MML = 350 MM	
15	34200288	PRESSURE SENSOR	
16	10043031	PIPE 8X6X420 F3/8-FREE	2GR
17	10042051	PIPE 6X4X570	2GR
	10042052	PIPE 6X4X690 F1/4	3GR
	10042053	PIPE 6X4X870	4GR
18	23000359	SAFETY VALVE EXTENSION	
19	10060525	SAFETY VALVE 1,9BAR 3/8	
20	38123947	DRAIN TANK SECURITY VALVE	
21	10060051	ANTIVACUUM VALVE WITH WEIGHT	
22	10060466	Valve inlet+ check 24v	
23	10705126	FLOWMETER WITH JUNCTION AND GASKET	
	34070060	FLOWMETER HORIZ. CONNECTION	
24	23125009	GROUP RESTRICTION 3.5MM	
	23125017	GROUP REDUCTION D 4,5	
	23125021	GROUP RESTRICTION 2 MM	
25	34040027	Valve 2/2 24V	
26	10060467	Valve 24V Hot water	
27	10110443	WIRING FUNCTION PANEL	
28	10110658	WIRIRNG ECON.CL/USB	
29	10110402	FLOWMETER WIRING 1/2GR.	
	10110445	WIRING FAN 2-3-4 GR.	
30	10042032	INJECTOR PIPE 127	
	10042034	INJECTOR PIPE 175 ASSY.	
31	27350001	GASKET 3/8 X 1 COPPER GAS	
32	10046014	MANIFOLD FAN PIPE 2GR	
	10046015	MANIFOLD FAN PIPE 3GR	
	10046016	MANIFOLD FAN PIPE 4GR	
33	10705759	Economizer 24V/2016	
34	10043028	PIPE 8 X 6 X MML = 420 MM F3/8-M3/8	left steam pipe/tubo vapore sx



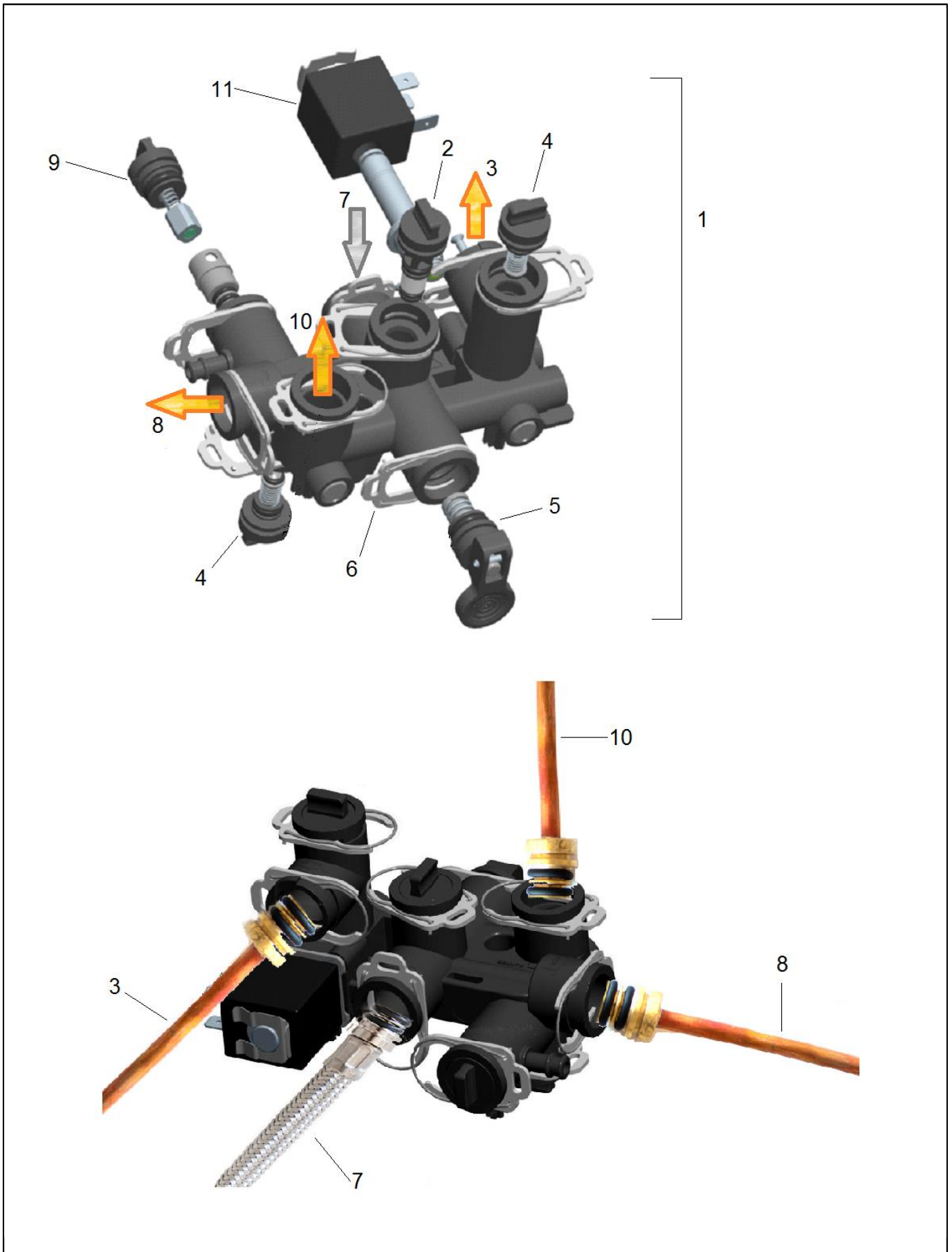
POS.	CODE	DESCRIPTION	NOTES
1	10060382	LEVEL INDICATOR/13	
2	26220005	FLAT NUT 3/8	
3	37430600	TOOTH LOCK WASHER D. 6	
4	20121104	CONNECTOR FOR LWVWL INDICATOR	
5	36402003	O-RING 9,25 X 1,78 V 75SH	
6	38228066	TEFLON PIPE D.10X8X107,5	
7	23222035	LONG JUNCTION 3/8	
8	34070211	LEVEL BOARD	

HEATING ELEMENT/CHECK EXP. VALVE USB

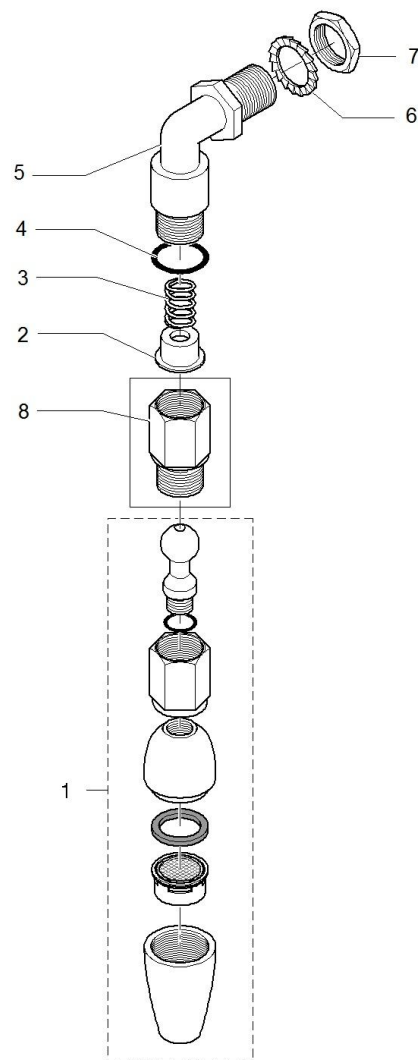


HEATING ELEMENT/CHECK EXP. VALVE USB

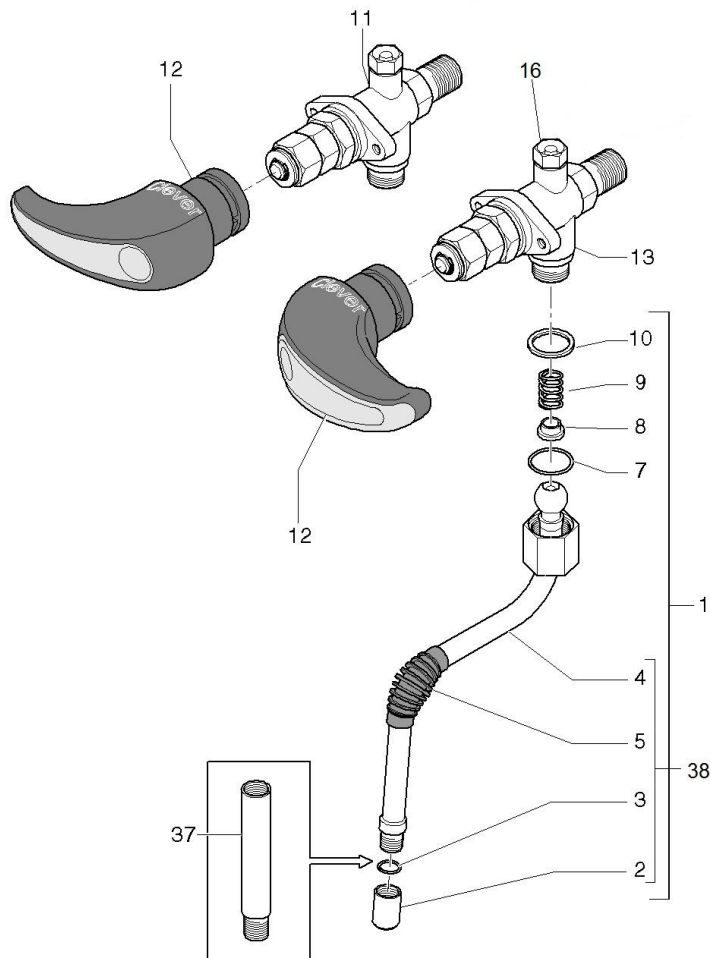
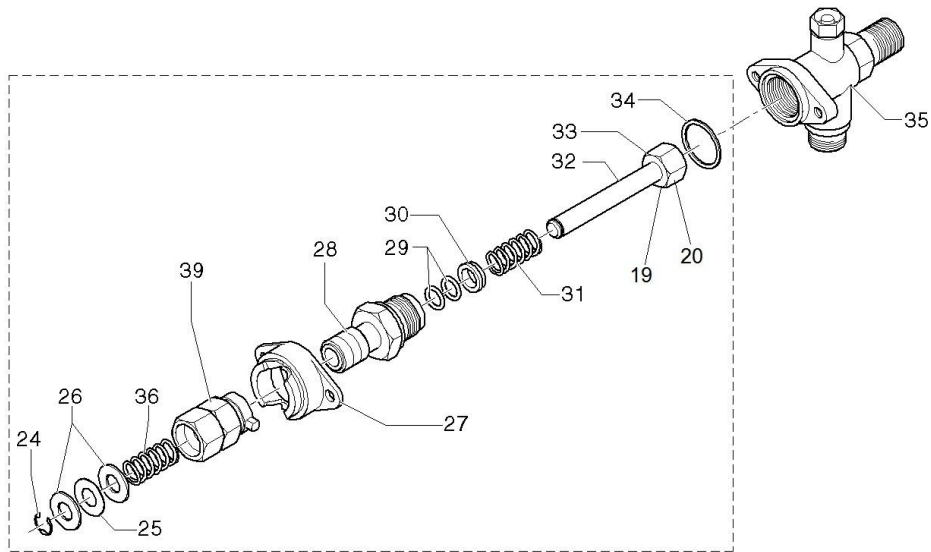
POS.	CODE	DESCRIPTION	NOTES
1	10060290	FEEDING PUSH BUTTON WITH LEVER	
2	36101002	GASKET AT AUCTION	
3	27400001	GASKET COPPER COMPASS RE GROUP	
4	36302002	GASKET PAST VALVE	
5	37900110	BALL 3/8	
6	23208015	FEEDING PUSH BUTTON SPACER	
7	10060448	Check valve	
9	40100500	DISC FILTER AISI 304 D.20,8X3	
10	36404006	O-RING 2087 DP2-4	
11	10060961	FILTER WATER MC/07	
12	69000734	FLEX PIPE MM1800 WITH ELBOW+CHECK VALVE	
	69000735	FLEX PIPE MM2300 WITH ELBOW+CHECK VALVE	
13	10060460	EXPANSION VALVE	
14	36302001	GASKET PAST. VALVE RUBBER	
15	27350001	GASKET 3/8 X 1 COPPER GAS	
16	10706067	CHECK-EXPVALVE 2WAYS	
17	35002508	BOILER MANOMETER	
18	35002509	PUMP MANOMETER	
19	10041053	PIPE 4X3X600 F1/8 M3/8	
20	38123665	COVER HEATING ELEMENT	
21	33323004	HEATING ELEMENT CAPILL. 230V/4300W	
	33323006	HEATING ELEMENT+CAPILLAR 230V 6000W	
22	36930012	GASKET RESISTANCE TEFLON	
23	10701376	BOILER RETROFIT KIT 2GR	
	10701377	BOILER RETROFIT KIT 3GR	
	10701378	BOILER RETROFIT KIT 4GR	
24	69000723	FLEX PIPE MM.880	
	69000724	FLEX PIPE MM.1200	
	69000725	PIPE FLEX MM.730	
26	23222002	LOW NUT 3/8	
28	38123513	DRAIN TANK NSF	
31	34040027	Valve 2/2 24V	
32	36401003	O-RING 103 RUBBER	
36	69000244	PIPE PUMP MANOMETER	
37	10705759	Economizer 24V/2016	
	34049011	OPERATOR KIT 2/2 WAYS HOT WATER (T30)	CLASSE 10 USB
	34049012	OPERATOR KIT 2/2 WAYS COLD WATER (T22)	CLASSE 10 USB



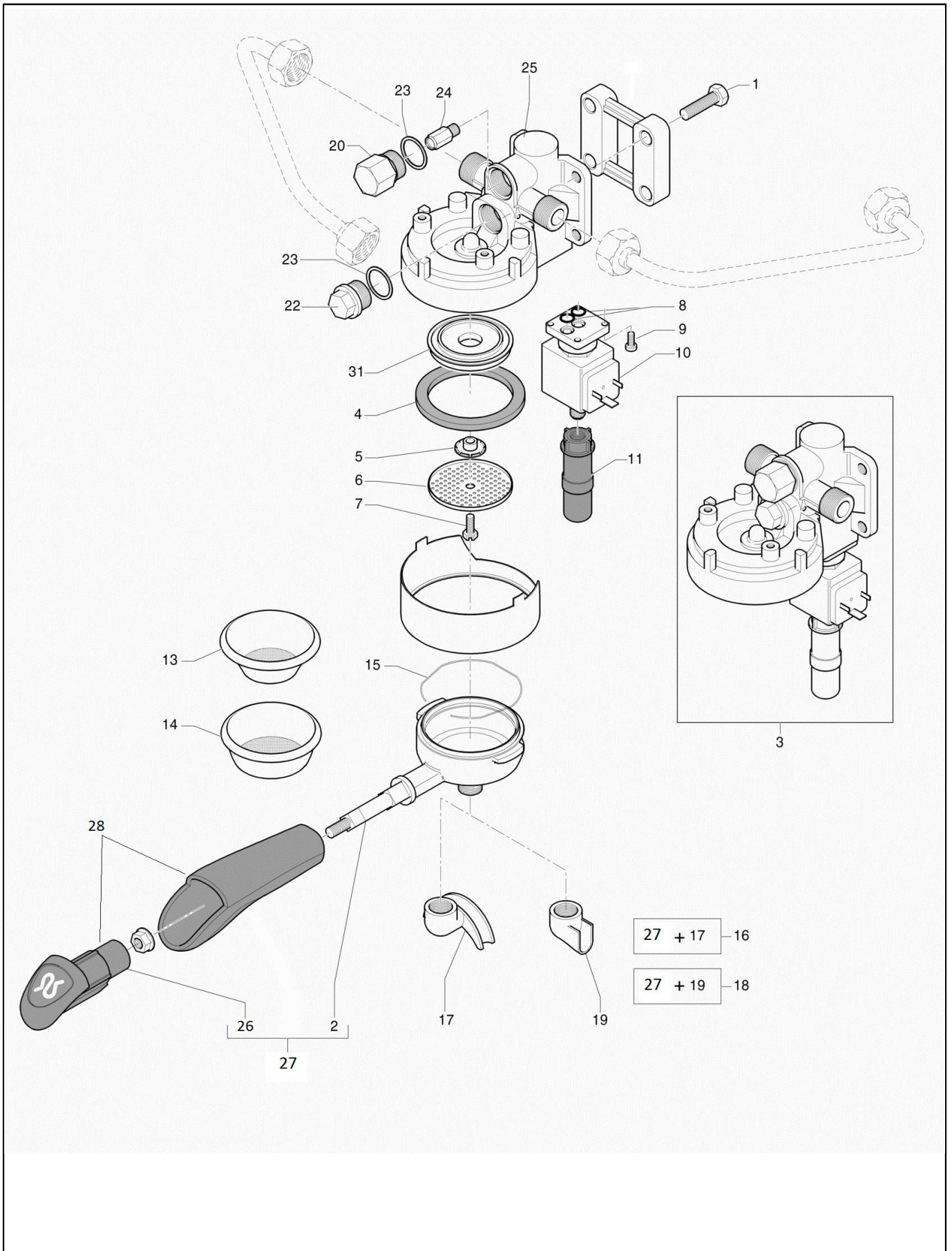
POS.	CODE	DESCRIPTION	NOTES
1	10701244	HYDRO HUB 24V	
2	69140006	FILTER HYDRAULIC MODULE	
3	10042152	PIPE 6 X 4 HH-M3/8 BOILER INLET TALL	
	36404052	O-RING 9,16 X 2,62 F 3037	
4	69140016	Check valve CAP	
	69140018	Check valve SPRING	
	69140047	KIT CHECK VALVE COMPLETE	
	69140048	GUMMY+BUSH	
5	69140008	MANUAL TAP HYDRAULIC MODULE	
6	69140012	CLOSING BRACKET HYDRAULIC MODULE	
7	36404052	O-RING 9,16 X 2,62 F 3037	
	69000730	FLEX PIPE M3/8 1060 MM ELBOW	
	69000731	FLEX PIPE 3/8M-SN MM 830 ELBOW	
	69000738	FLEX PIPE M3/8 1290 MM ELBOW	
8	10042027	PIPE 6X4X940 ECONOMIZER HYDRAULIC MOD.	
	10042062	PIPE 6X4X690 ECONOMIZER HYDRAULIC MOD.	
	10042069	PIPE 6X4X430 ECONOMIZER HYDRAULIC MOD.	
	36404052	O-RING 9,16 X 2,62 F 3037	
9	69140009	PRESSURE RELIEF VALVE HYDRAULIC MODULE	
	69140010	SPRING PRESSURE RELIEF VALVE HYDRAULIC MODULE	
	69140011	Plunger PRESSURE RELIEF VALVE HYDRAULIC MODULE	
	69140019	PRESSURE RELIEF VALVE CAP	
10	10046041	PIPE MANIFOLD FLOWMETER 2GR HYDRAULIC MOD. CLASSE	
	10046042	PIPE MANIFOLD FLOWMETER 3GR HYDRAULIC MOD CLASSE 9	
	10046043	PIPE MANIFOLD FLOWMETER 4GR HYDRAULIC MOD. CLASSE	
	36404052	O-RING 9,16 X 2,62 F 3037	
11	69140013	OPERATOR KIT 24V HYDRAULIC MODULE	



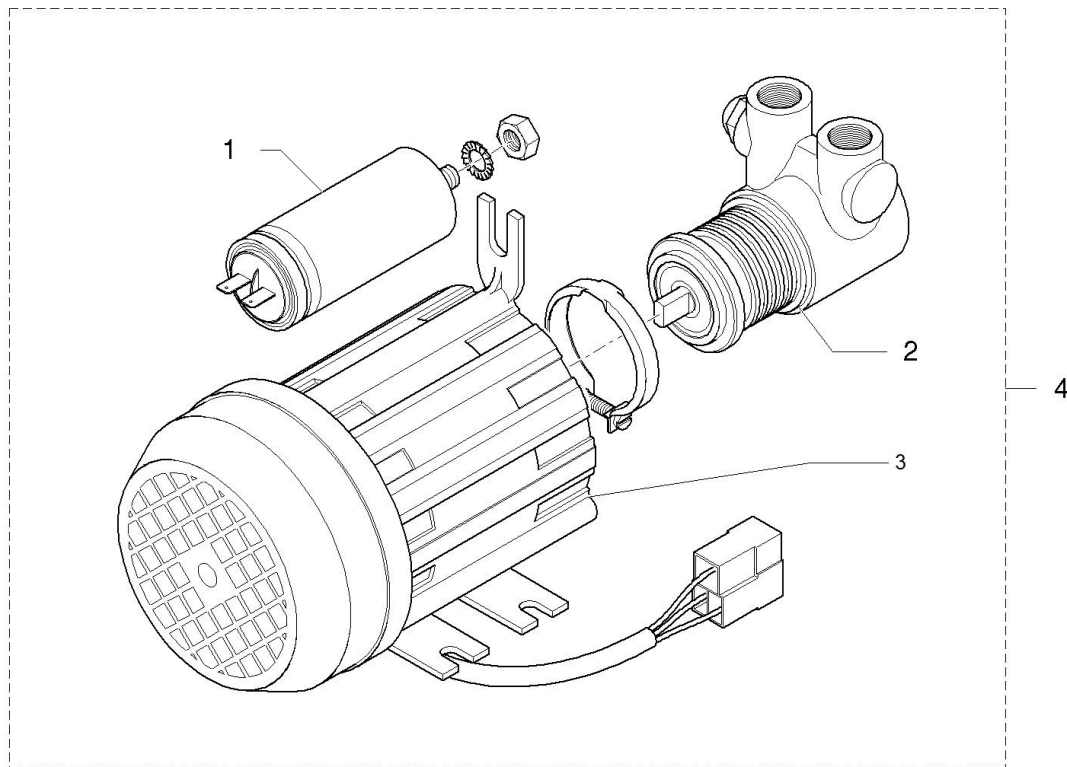
POS.	CODE	DESCRIPTION	NOTES
1	10049014	WATER OUTLET	
2	36930016	GASKET TEFLON CONNECTION STEAM WAND	
3	39110038	SPRING CONNECTION STEAM TAP	
4	36220009	GASKET NUT NOTE TEFLON	
5	20200113	HOT WATER CONNECTION BRASS	
6	37431600	OUTER TOOTHED WASHER D16	
7	26220005	FLAT NUT 3/8	
8	23000413	STEAM/WATER TAP EXTENSION	only for Classe 9/solo Classe 9



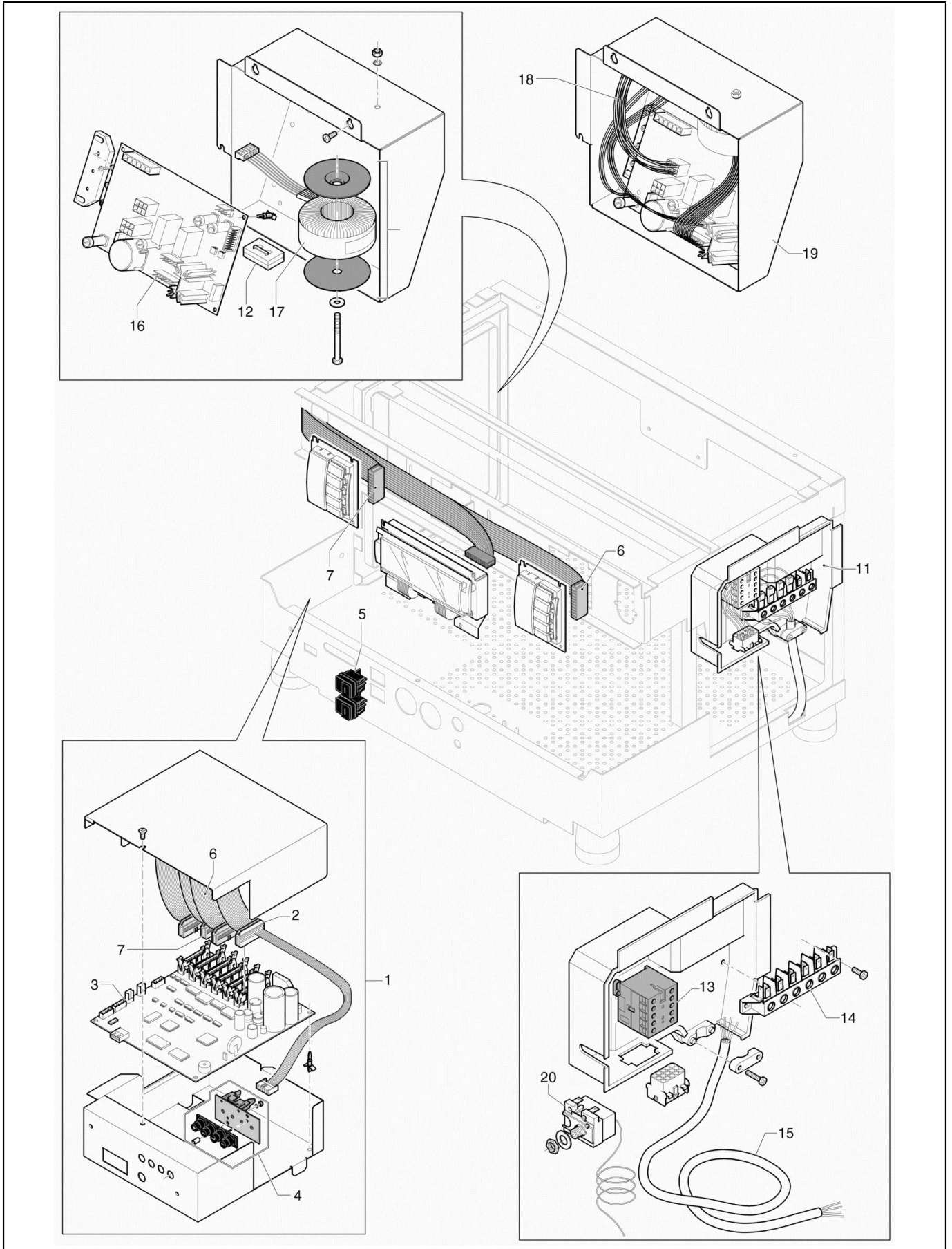
POS.	CODE	DESCRIPTION	NOTES
1	10706024	STEAM PIPE + JOINT MLN	CLASSE 10 / CLASSE 8
2	23000121	SPRAYER LG25 D1.1	
	25111006	STEAM NOZZLE	
3	36404022	O-RING 6,4 X 1,9 R5A	
4	10049057	STEAM PIPE-INOX-	CLASSE 10 / CLASSE 8
5	36990004	RUBBER FOR STEAM PIPES	
7	36930017	TEFLON GASKET FOR STEAM WAND NUT	
8	36930016	GASKET TEFLON CONNECTION STEAM WAND	
9	39110038	SPRING CONNECTION STEAM TAP	
10	36220009	GASKET NUT NOTE TEFLON	
11	10060134	CLEVER/15 STEAM TAP LEFT	
12	10060181	HANDLE CLEVER	
13	10060135	CLEVER/15 STEAM TAP RIGHT	
16	10705180	KIT AV VALVE STEAM TAP	
27	10701239	KIT CLEVER/15 CAMS PEEK RIGHT	
	10701240	KIT CLEVER/15 CAMS PEEK LEFT	
35	10701621	STEAM TAP BODY WITH AV. VALVE/19	
39	10701239	KIT CLEVER/15 CAMS PEEK RIGHT	
	10701240	KIT CLEVER/15 CAMS PEEK LEFT	



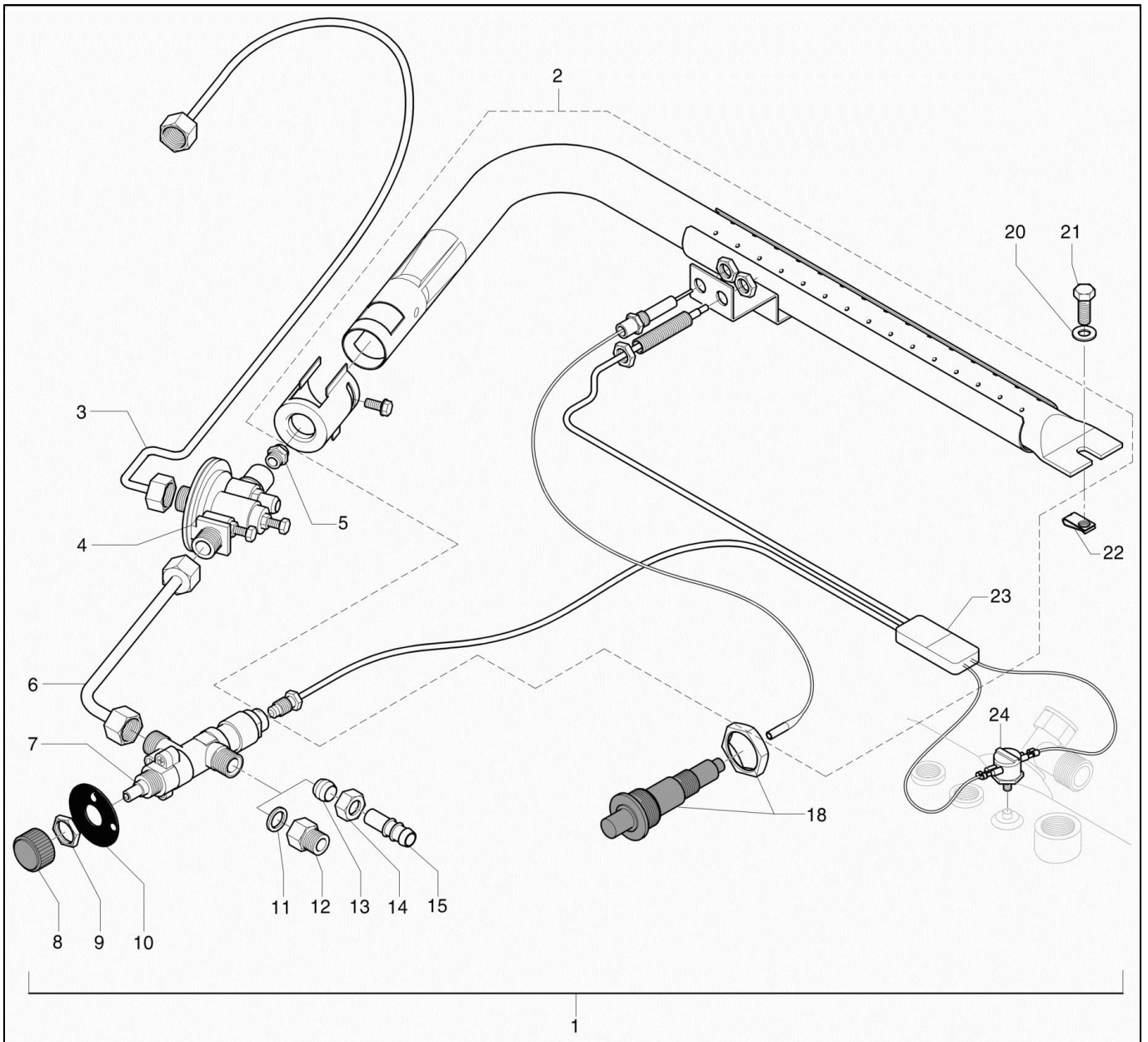
POS.	CODE	DESCRIPTION	NOTES
1	37040830	SCREW M 8X30	
2	20112011	FILTER-HOLDER	
3	10051213	GROUPHEAD CLASSE 10/SDE 24V	
4	36301046	GROUP GASKET PEROSSIDICA HP	
5	25139001	GROUP JETBREAKER	
6	40200005	SHOWER NET	
7	37030518	SHOWER SCREW	
8	36402005	O-RING ELECTROVALVE	
9	37060413	SCREW M 4 X 12	
10	34040151	ELECTROVALVE 3/2 24V (Sirai)	
11	10090002	THERM.GROUP JETBREAKER	
13	40100106	8GR FILTER INOX	
14	40100107	16GR FILTER INOX	
15	25105007	FILTER SPRING	
16	10071137R	Porta-fiter RR/09 2doses	
17	21100801	2 CUP BEAK MC/09	
18	10071118R	Porta-fiter RR/09 1dose	
19	21102601	VITE PERFORATORE SUP.CAPSULA DOLCEGUSTO	
20	23000227	GROUP JET CAP	
22	20122653	BREWING GROUP CAP	
23	27400002	GASKET FOR BREWING GROUP CAP	
24	10060612	BREWING GROUP FLOW LIMITER ASSY.	
25	20200054	GROUP BODY	
26	10705535	FILTERHOLDER CAP WITH RING	
27	10071100	FILTERHOLDER NO BECK	
28	10705091	KIT FILTER HOLDER TAP 07	
31	20200182	SHOWER HOLDER BRASS	



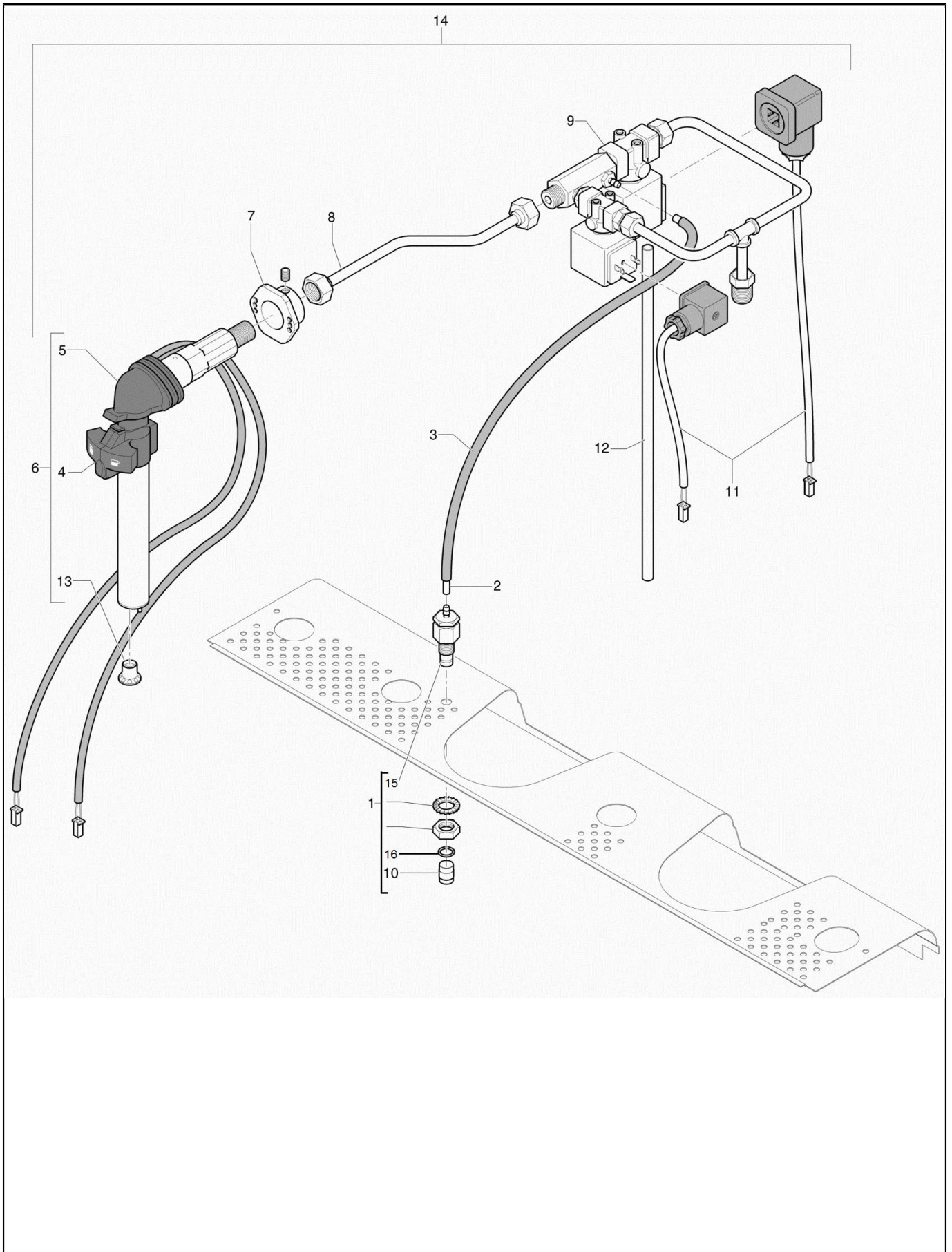
POS.	CODE	DESCRIPTION	NOTES
1	34020020	CAPACITOR 8 MF RPM	
2	10705960	KIT PUMPING ELEMENT	
	69000993	VOLUMETRIC PUMP VM 200L/H "RANCILIO"	
3	34011102	VM MOTOR 230V	
4	13077071	PUMP 230V 1/2GR	



POS.	CODE	DESCRIPTION	NOTES
2	10110405 10110443	Wiring Control panel 2GR WIRING FUNCTION PANEL	
3	10700979	KIT ELECTRONIC BOARD C10/07	
4	10111042	BOARD+PROGR.P.B. BOARD	
5	34030971	SWITCH GREEN LIGHT	
6	10110441 10110442	WIRING PANEL-GROUP 3 WIRING PANEL.GROUP 4	
7	10110439 10110440	WIRING PANEL-GROUP 1 WIRING PANEL-GROUP 2	
11	10110900 34021004	ELECTRIC BOX 230V MC/16 EMC FILTER	
12	38123598	FUSE BOX	
13	34200332	MINI-CONTACTOR 220-240V	
14	34150026	CLAMP 4 POSITION	
15	34300073 34300079	CAVO H07RN-F 5C.SEZ.2,5 L=2000 CAVO H07RN-F 5C.SEZ.4 L=2500	
16	10110773 10700985	WIRING RELAY BOILER OVERPRESSURE CLASSE 10 CLASSE KIT POWER BOARD SDE12	this board could be use also on old models. Remeber to disconnect save-heating element connection
17	34200269	TRANSFORMER 140va	
18	10110649	WIRING POWER BOARD	
19	10110390	POWER BOX SDE12	
20	34200097	SAVE- HEATING ELEMENT EGO MONOF.	
21	10110631 10110632	CABLAGGIO AT.3-4GR.SCALDAT.USB C9 WIRING AT	



POS.	CODE	DESCRIPTION	NOTES
1	10705096	KIT GAS PLANT 2GR.	
	10705097	KIT GAS PLANT 3-4GR.	
2	30300075	GR.GAS BURNER 2GR.	
	30300076	GR.GAS BURNER 3-4GR	
3	10041039	PIPE 4X3X430	
4	10060815	GAS REGULATOR	
5	23210031	GAS JET DIAM.0,90	
	23210032	GAS JET DIAM.1,02	
	23210033	GAS JET DIAM.1,35	
	23210037	GAS JET DIAM. 0,75	
6	10042101	PIPE 6X4X300	
	10042160	PIPE 6X4X130 F1/4-F1/4	
7	69000251	GAS COCK	
8	38123567	HANDLE GAS COCK	
9	69000019	NUT X COCK GAS	
10	42300003	PLATE GAS	
11	36240008	GASKET 11,5 X 8 SP.1.5 COPPER	
12	23222039	REDUCER 1/2M-1/4F	
13	69000117	JUNCTION ELEMENT PIPE D.8	
14	69000116	NUT	
15	23115007	GAS RUBBER HOLDER	
18	69000468	ACCENDITORE PIEZO+GHIERA/2019	
20	37410600	PLANE WASHER DIAM. 6	
21	37040615	SCREW M 6 X 16	
22	37900822	PLATE UC/M6/15/12	
23	69000469	TERMOCOPPIA BRUCIATORE GAS/2019	
24	34200053	THERMOSTAT 165¤	



POS.	CODE	DESCRIPTION	NOTES
1	10701437	AIR INLET VALVE ISTEAM/17	
2	38228016	SILICON PIPE D5X3	
3	34209124	SHEATH PLAITED POLIESTER UL94	
4	10705359	ISTEAM KEYPAD	
5	36990017	STEAM SHROUD ISTEAM	
6	10705349	KIT ISTEAM INOX SHORT 07	181mm
7	23175032	COMPASS FIXING	
8	10043067	PIPE 8X6X210 F3/8-F3/8 2-3-4GR.	
9	10705575	ASSEMBLY ELETTR. -VENTURI ISTEAM	
10	23000092	Flow limiter 0,25 iSteam/YouSteam	
	23000093	Flow limiter 0,35 iSteam/YouSteam	
	23000192	Flow limiter 0,15 iSteam	
11	10110420	WIRING GROUP/WATER EV.	
12	38228002	SILICONE HOSE D. 9X6X560	
13	23000098V	ISTEAM SPRAYER	
14	10705981	RETROFIT KIT ISTEAM CLASSE 10/07	
15	36230017	DUCKBILL	
16	36404013	O-RING SILICONE 2031	

Code	No. table	Pos.
10041039	4000	3
10041053	2001	19
10042022	2000	11
10042027	2011	8
10042032	2000	30
10042034	2000	30
10042051	2000	17
10042052	2000	17
10042053	2000	17
10042062	2011	8
10042069	2011	8
10042094	2000	9
10042101	4000	6
10042152	2011	3
10042160	4000	6
10042218	2000	6
10042238	2000	7
10043007	2000	5
10043028	2000	34
10043031	2000	16
10043039	2000	14
10043044	2000	12
10043067	4001	8
10043130	2000	13
10043134	2000	13
10043149	2000	13
10043151	2000	10
10044039	2000	3
10044053	2000	1
10044054	2000	2
10044061	2000	4
10044083	2000	8
10046014	2000	32
10046015	2000	32
10046016	2000	32
10046041	2011	10
10046042	2011	10
10046043	2011	10
10049014	2002	1
10049057	2003	4
10051213	2007	3
10060051	2000	21
10060134	2003	11
10060135	2003	13
10060181	2003	12
10060290	2001	1
10060382	2009	1
10060448	2001	7
10060460	2001	13
10060466	2000	22
10060467	2000	26
10060525	2000	19
10060612	2007	24
10060815	4000	4
10060961	2001	11
10071100	2007	27
10071118R	2007	18
10071137R	2007	16
10090002	2007	11
10110390	3000	19
10110402	2000	29
10110405	3000	2
10110420	4001	11
10110439	3000	7
10110440	3000	7
10110441	3000	6
10110442	3000	6

Code	No. table	Pos.
10110443	2000	27
10110443	3000	2
10110445	2000	29
10110470	1001	13
10110631	3000	21
10110632	3000	21
10110649	3000	18
10110658	2000	28
10110773	3000	16
10110900	3000	11
10111042	3000	4
10700276	1000	1
10700277	1000	1
10700278	1000	1
10700979	3000	3
10700985	3000	16
10701128	1001	2
10701239	2003	27
10701239	2003	39
10701240	2003	27
10701240	2003	39
10701244	2011	1
10701376	2001	23
10701377	2001	23
10701378	2001	23
10701437	4001	1
10701621	2003	35
10705091	2007	28
10705096	4000	1
10705097	4000	1
10705126	2000	23
10705180	2003	16
10705340	1001	10
10705348	1001	12
10705349	4001	6
10705359	4001	4
10705374	1000	3
10705375	1000	3
10705376	1000	3
10705476	1000	11
10705477	1000	12
10705535	2007	26
10705562	1001	11
10705575	4001	9
10705759	2000	33
10705759	2001	37
10705960	3001	2
10705981	4001	14
10706024	2003	1
10706067	2001	16
13077071	3001	4
20112011	2007	2
20121104	2009	4
20122653	2007	22
20200054	2007	25
20200113	2002	5
20200182	2007	31
21100801	2007	17
21102601	2007	19
21300760	1001	15
21300765B	1000	19
21300766B	1000	18
23000092	4001	10
23000093	4001	10
23000098V	4001	13
23000121	2003	2
23000192	4001	10

Code	No. table	Pos.
23000227	2007	20
23000359	2000	18
23000413	2002	8
23115007	4000	15
23125009	2000	24
23125017	2000	24
23125021	2000	24
23175032	4001	7
23208015	2001	6
23210031	4000	5
23210032	4000	5
23210033	4000	5
23210037	4000	5
23222002	2001	26
23222035	2009	7
23222039	4000	12
24902031	1001	9
24902032	1001	9
24902033	1001	9
24902040	1001	1
24902041	1001	1
24902042	1001	1
24902044	1000	6
24902045	1000	6
24902046	1000	6
25105007	2007	15
25111006	2003	2
25139001	2007	5
26220005	2002	7
26220005	2009	2
27350001	2000	31
27350001	2001	15
27400001	2001	3
27400002	2007	23
30300075	4000	2
30300076	4000	2
31312012B	1000	7
31312013B	1000	7
31312014B	1000	7
32330542	1001	3
32330543	1001	3
32330974	1001	3
32330979	1000	4
32330980	1000	4
32330981	1000	4
32330990	1000	8
32330991	1000	9
32330992	1000	10
32331007	1001	6
32331008	1001	6
32331009	1001	6
32331322	1001	4
32331323	1001	4
32331324	1001	4
32331327	1001	7
32331328	1001	7
32331329	1001	7
33323004	2001	21
33323006	2001	21
34011102	3001	3
34020020	3001	1
34021004	3000	11
34030971	3000	5
34040027	2000	25
34040027	2001	31
34040151	2007	10
34049011	2001	37

Code	No. table	Pos.
34049012	2001	37
34070060	2000	23
34070211	2009	8
34150026	3000	14
34200053	4000	24
34200097	3000	20
34200269	3000	17
34200288	2000	15
34200332	3000	13
34209124	4001	3
34300073	3000	15
34300079	3000	15
35002508	2001	17
35002509	2001	18
36101002	2001	2
36220009	2002	4
36220009	2003	10
36230017	4001	15
36240008	4000	11
36301046	2007	4
36302001	2001	14
36302002	2001	4
36401003	2001	32
36402003	2009	5
36402005	2007	8
36404006	2001	10
36404013	4001	16
36404022	2003	3
36404052	2011	10
36404052	2011	3
36404052	2011	7
36404052	2011	8
36930012	2001	22
36930016	2002	2
36930016	2003	8
36930017	2003	7
36990004	2003	5
36990017	4001	5
37030518	2007	7
37030521	1001	18
37040412	1001	17
37040615	4000	21
37040830	2007	1
37060413	2007	9
37154212	1001	16
37175012	1000	23
37410600	4000	20
37430600	2009	3
37431600	2002	6
37900110	2001	5
37900822	4000	22
38120591	1001	5
38123513	2001	28
38123567	4000	8
38123568	1000	16
38123598	3000	12
38123665	2001	20
38123667	1000	14
38123668	1000	13
38123673	1000	20
38123674	1000	15
38123852	1000	17
38123856	1001	14
38123921	1000	2
38123947	2000	20
38221004	1000	22
38221005	1000	21

Code	No. table	Pos.
38228002	4001	12
38228016	4001	2
38228066	2009	6
39110037	1001	2
39110038	2002	3
39110038	2003	9
40100106	2007	13
40100107	2007	14
40100500	2001	9
40200005	2007	6
42200122	1001	8
42200123	1000	5
42300003	4000	10
69000019	4000	9
69000116	4000	14
69000117	4000	13
69000244	2001	36
69000251	4000	7
69000468	4000	18
69000469	4000	23
69000723	2001	24
69000724	2001	24
69000725	2001	24
69000730	2011	7
69000731	2011	7
69000734	2001	12
69000735	2001	12
69000738	2011	7
69000993	3001	2
69140006	2011	2
69140008	2011	5
69140009	2011	9
69140010	2011	9
69140011	2011	9
69140012	2011	6
69140013	2011	11
69140016	2011	4
69140018	2011	4
69140019	2011	9
69140047	2011	4
69140048	2011	4



Headquarters, Production Plant and R&D Centers

Rancilio Group s.p.a.

Viale della Repubblica 40
20010 Villastanza di Parabiago
Milano - Italy
Tel +39 0331 408200
Fax +39 0331 551437
www.ranciliogroup.com
info@ranciliogroup.com

Egro Suisse AG

Bahnhofstrasse 66
5605 Dottikon, Switzerland
Tel. +41 (0)56 616 95 95
Fax +41 (0)56 616 95 97
www.egrocoffee.com
info@egrocoffee.com

Worldwide Branch Locations

SPAIN

RancilioGroup Espana, s.a.
Gran Via de Carlos III, 84 3ª
Edificio Trade
08028 Barcelona - Spain
Tel. +34 902 884 275
Tel. +34 934 923 414
Fax +34 934 965 701
www.ranciliogroup.com
info-es@ranciliogroup.com

PORTUGAL

Rancilio Group Portugal Lda
Estrada da Falagueira nº 68 E
2700-365 Amadora-Lisboa - Portugal
Tel. +351 21 019 10 91
Fax +351 21 019 10 91

Rua Nova do Seixo 1282
4465-706 Leça do Balio-Porto - Portugal
Tel. +351 22 010 14 19
Fax +351 22 010 14 19
www.ranciliogroup.com
info-pt@ranciliogroup.com

GERMANY

Rancilio Group Deutschland GmbH
Talstrasse 27
97990 Weikersheim - Germany
Ph. +49 7934 99 29 30
Fax +49 7934 99 29 330
www.ranciliogroup.de
info-de@ranciliogroup.com

SWITZERLAND

Egro Suisse AG
Bahnhofstrasse 66
5605 Dottikon - Switzerland
Tel. +41 (0)56 616 95 95
Fax +41 (0)56 616 95 97
www.egrosuisse.ch
info@egrosuisse.ch

USA/CANADA

Rancilio Group North America Inc.
1340 Internationale Parkway / Suite 200
Woodridge, IL 60517 - U.S.A.
Ph: +1 630 914 7900
Fax: +1 630 914 7901
Toll Free: +1 877 726 2454
www.ranciliogroup.com
info@ranciliogroupna.com

