



coffeeing the World

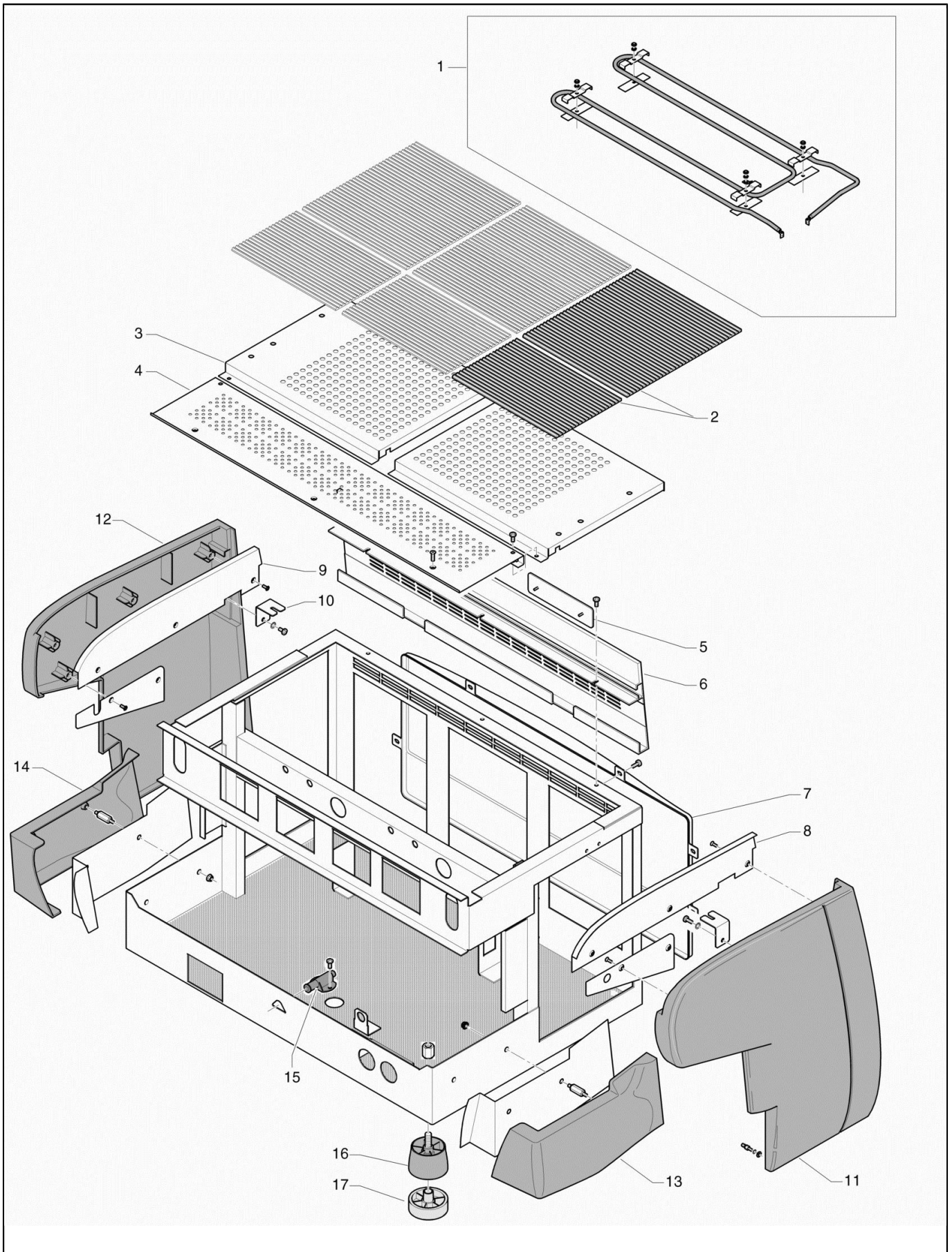
CLASSE 10 SDE



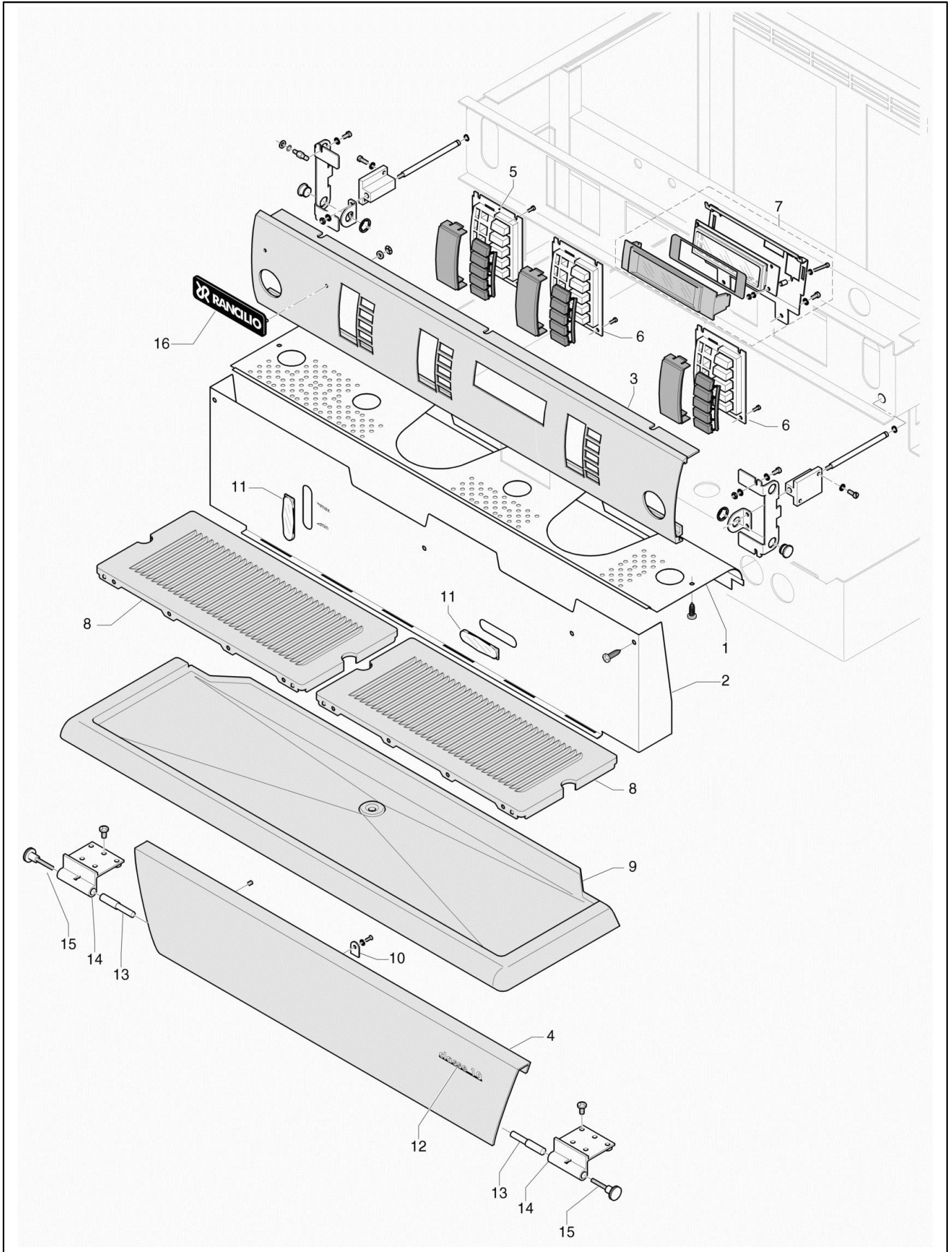
CLASSE 10

Index

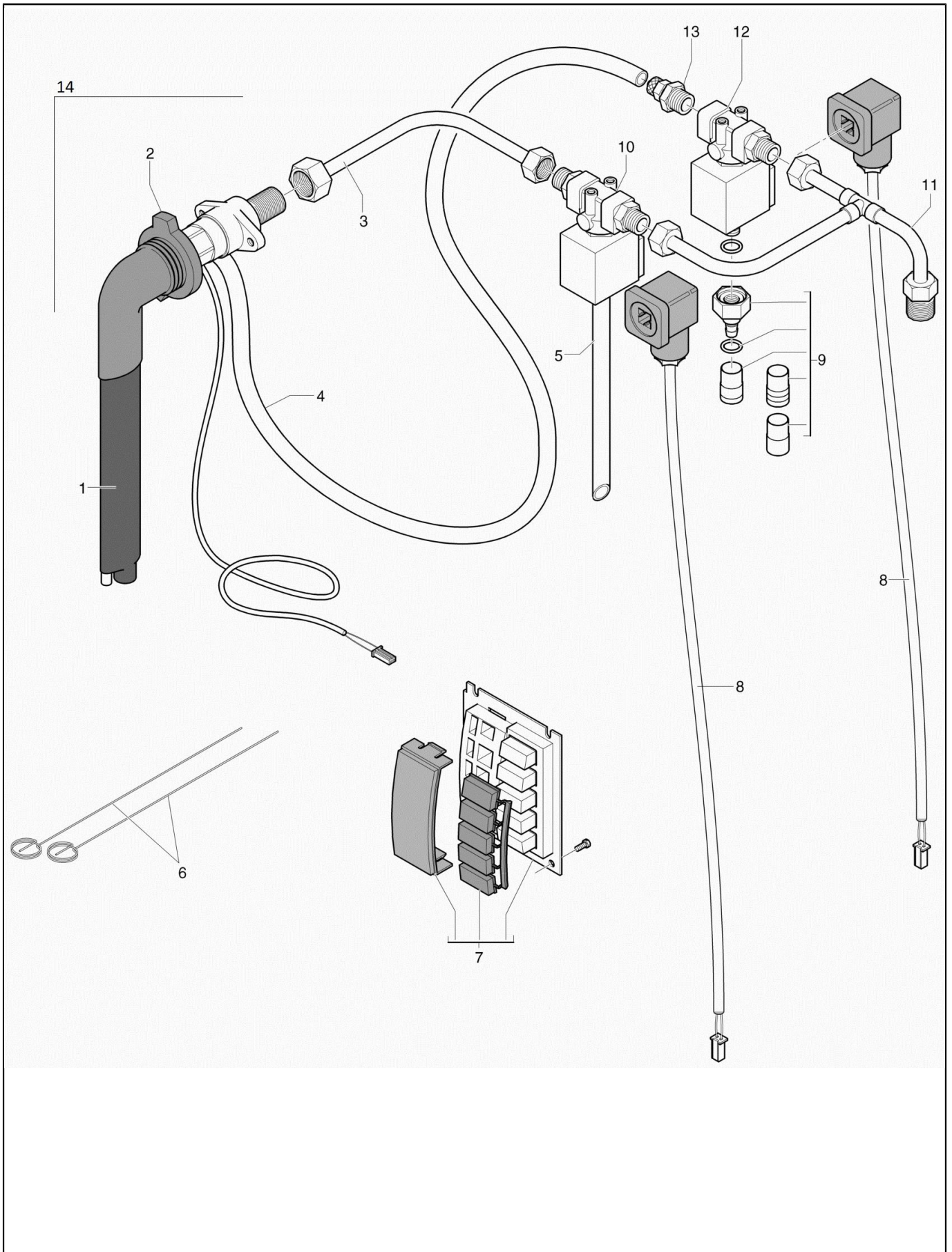
Table TAV.10010/04 - BODY CLASSE 10.....	4
Table TAV.10020/04 - CONTROL PANEL.....	6
Table TAV.10030/04 - TSC GROUP.....	8
Table TAV.10040/04 - Electric Part/Electronic.....	10
Table TAV.10050/04 - HYDRAULIC CIRCUIT.....	12
Table TAV.10060/04 - BOILER.....	14
Table TAV.10070/04 - RESISTANCE/EXP.-CHECK VALVE.....	16
Table TAV.10501/04 - GROUP.....	18
Table TAV.10503/04 - PUMP.....	20
Table TAV.10502/04 - STEAM/WATER TAP.....	22
Alphanumeric index.....	24



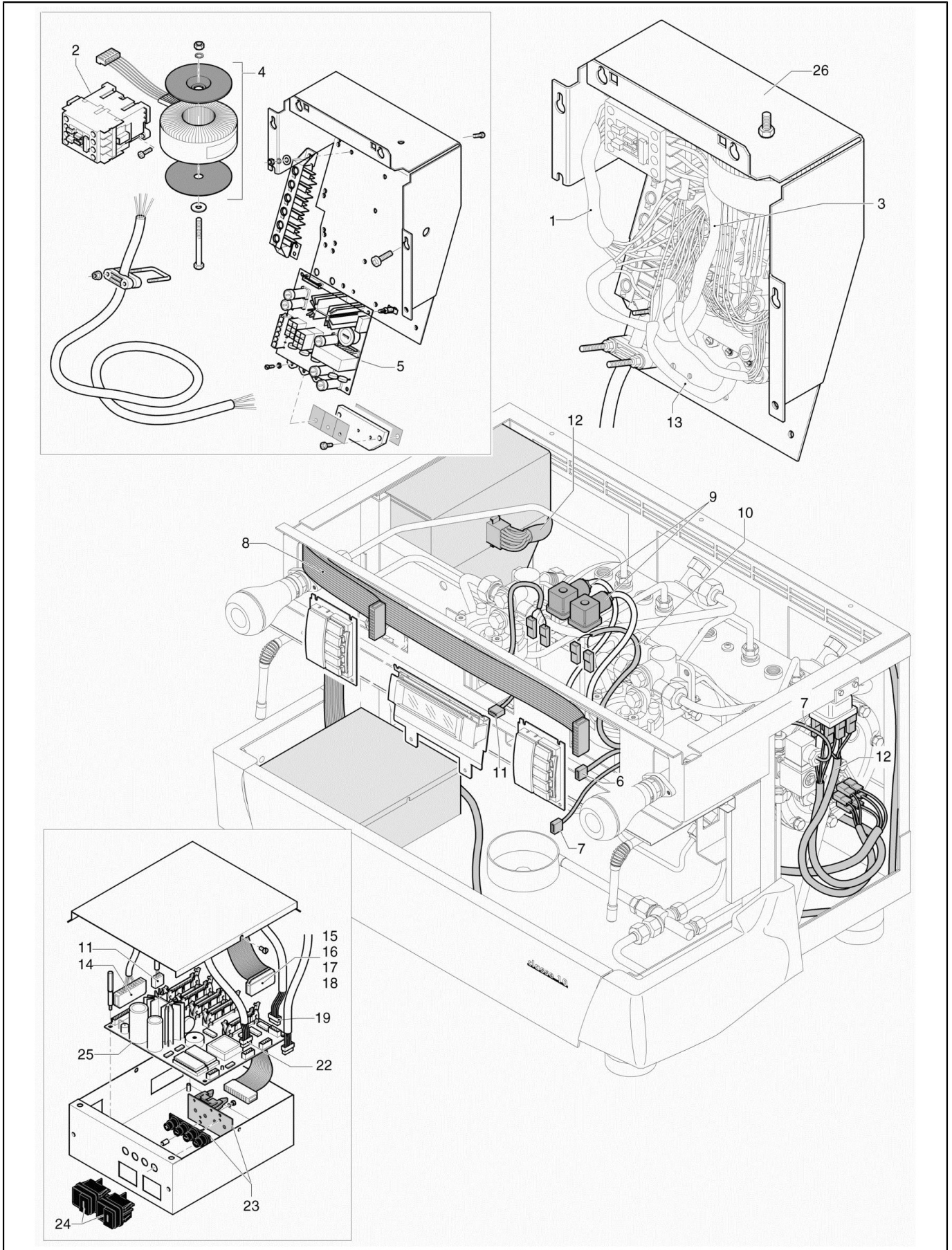
POS.	CODE	DESCRIPTION	NOTES
1	33122002	CUP-WARMER RESISTANCEANCE 230V 2GR	
	33122003	CUP-WARMER RESISTANCEANCE 230V 3GR	
	33122004	CUP-WARMER RESISTANCEANCE 230V 4GR	
2	38123921	HEATING CUPS GRATE	
	38123921	HEATING CUPS GRATE	
	38123921	HEATING CUPS GRATE	
3	10705374	SET CUP-WARMER GRATES INOX 2GR	
	10705375	SET CUP-WARMER GRATES INOX 3GR.	
	10705376	SET CUP-WARMER GRATES INOX 4 GR.	
4	32330979	GROUP COVER BAND 2GR	
	32330980	GROUP COVER BAND 3GR	
	32330981	GROUP COVER BAND 4GR	
5	42200123	RANCILIO PLATE MM.145	
6	24902005	REAR BOARD 2GR.	
	24902006	REAR BOARD 3GR.	
	24902006A	REAR BAND BRONZE 3GR	
7	31312012	FRONT PANEL 2GR.	
	31312012A	FRONT PANEL 2GR.GREY	
	31312013	FRONT PANEL 3GR.	
	31312013A	FRONT PANEL 3GR.GREY	
	31312014	FRONT PANEL 4GR.	
	31312014A	FRONT PANEL 4GR.GREY	
8	32330990	SUPPORT DX	
9	32330991	SUPPORT SX	
10	32330992	SUPPORT SQUARE	
11	21300764C	SIDE PANEL DX BRONZE	
12	21300763C	SIDE PANEL SX BRONZE	
13	21300762	LOWER Side panel Right	
14	21300761	LOWER Side panel Left	
15	69000980	MAGNETIC LOCK	
16	38123568	COFFEE MACHINE LEG	
17	38123852	RISER FOR COFFEE MACHINE LEG	



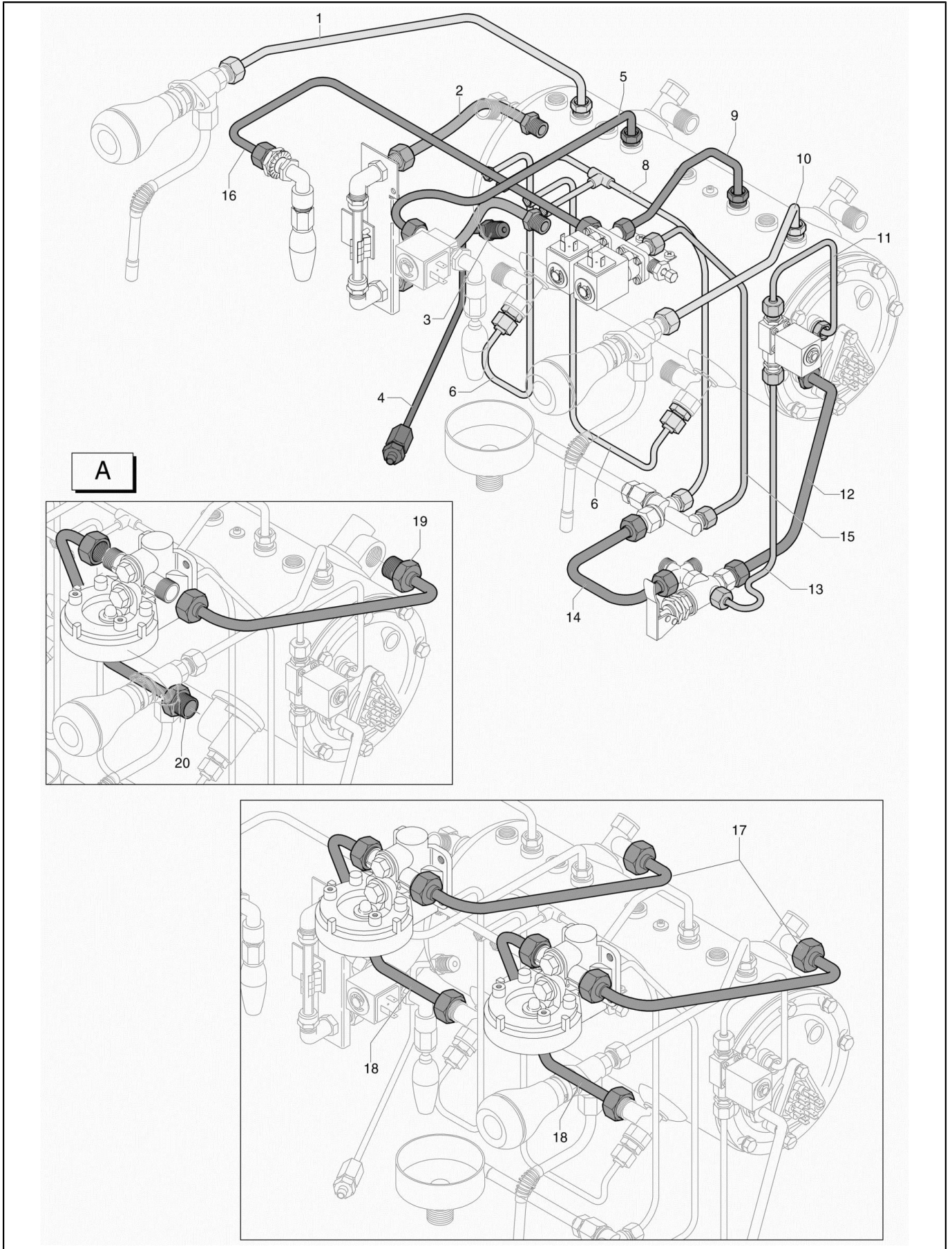
POS.	CODE	DESCRIPTION	NOTES
1	32330986	SUB-GROUP BAND 3GR.	
2	32331007	FRONT PANEL 2 GR	
	32331008	FRONT PANEL 3 GR	
	32331009	FRONT PANEL 4 GR	
3	24902012	Control panel SDE 2.GR	
	24902013	Control panel SDE 3GR	
	24902013A	Control panel SDE 3GR GOLD	
4	24902009	LOWER DOOR 2 GR.	
	24902010	LOWER DOOR 3 GR.	
	24902010A	LOWER DOOR 3GR GOLD	
	24902011	LOWER DOOR 4 GR.	
5	10705365	TSC FUNCTIONS P.B. PANEL SDE	
6	10705348	CAFFE PANEL C10/07 USB	
7	10705127	KIT DISPLAY CLASSE 10	
8	10705377	SET CUPTRAY GRATES 2GR	
	10705378	SET CUPTRAY GRATES 3GR	
	10705379	SET CUPTRAY GRATES 4GR	
9	32330542	Drain tray 3GR	
	32330543	Drain tray 4GR	
	32330974	Drain tray 2GR	
10	69000979	MAGNET COUNTER PLATE	
11	38123856	LEVEL WATCH GLASS	
12	42200124	PLATE CLASSE10	
13	25126013	DOOR PIN	
14	38123862	DOOR FULCRUM SUPPORT	
15	37030517	KNURLED HEAD SCREW M5X30	
16	42200122	RANCILIO PLATE MM115	



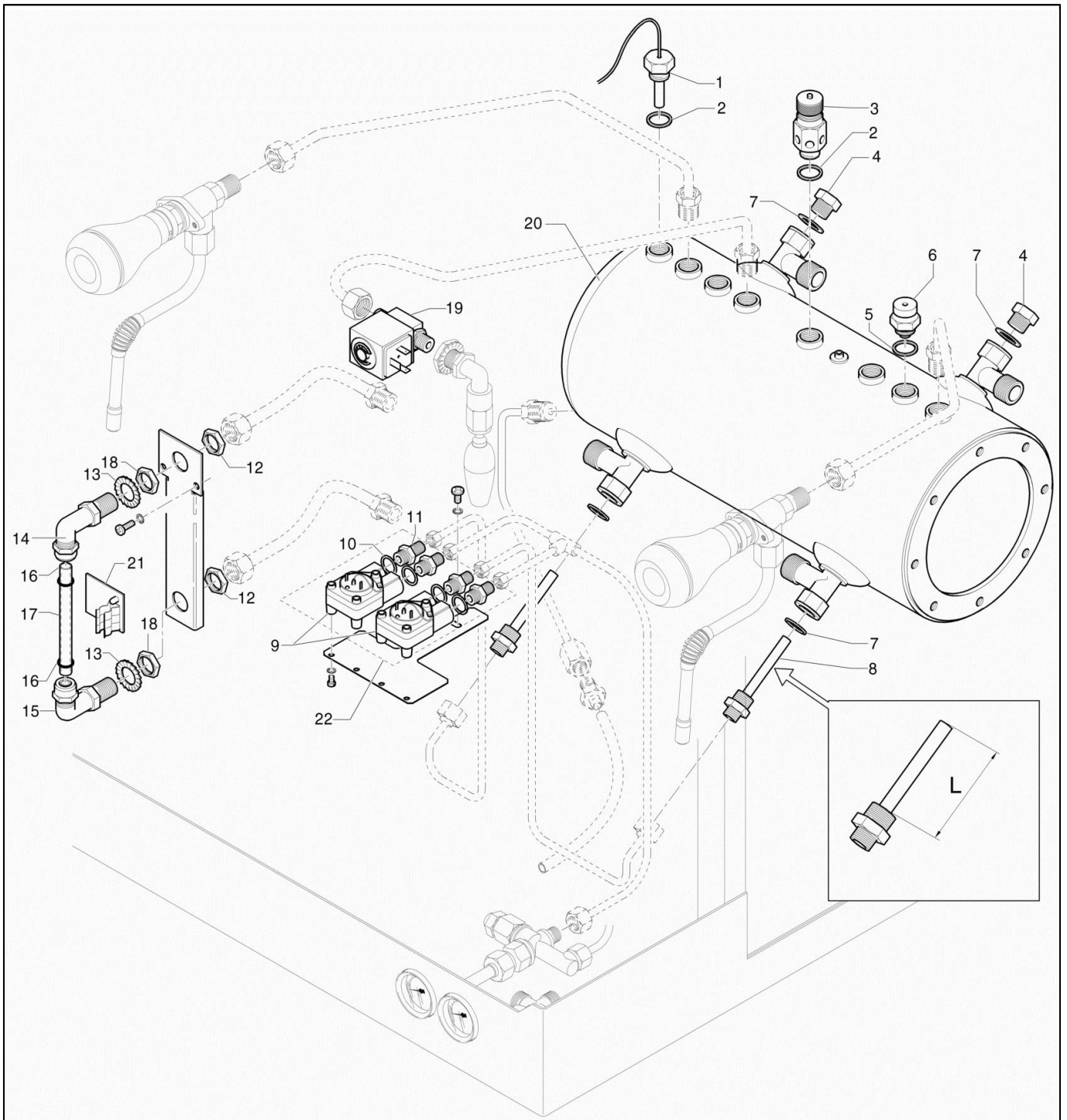
POS.	CODE	DESCRIPTION	NOTES
1	10705316	KIT TSC STEAM C10	
3	10043071	PIPE 8 X 6 X MML = 220 MM	
4	38228016	SILICON PIPE D5X3	
5	38228003	SILICONE HOSE D. 9 X 6MML = 480 MM	
6	25105003	CLEANING BRUSH TSC	
7	10705365	TSC FUNCTIONS P.B. PANEL SDE	
8	10110420	WIRING GROUP/WATER EV.	
9	10705972	KIT NEW NOZZLES TSC	
10	10060508	Valve 3/2 24V SDE	
11	10046012	BOILER TUBE -EV STEAM TSC	
12	10060481	Valve 3/2 24v TSC	
13	23000029	ELV RUBBERHOLDER TSC	
14	10705971	KIT STEAM TSC	



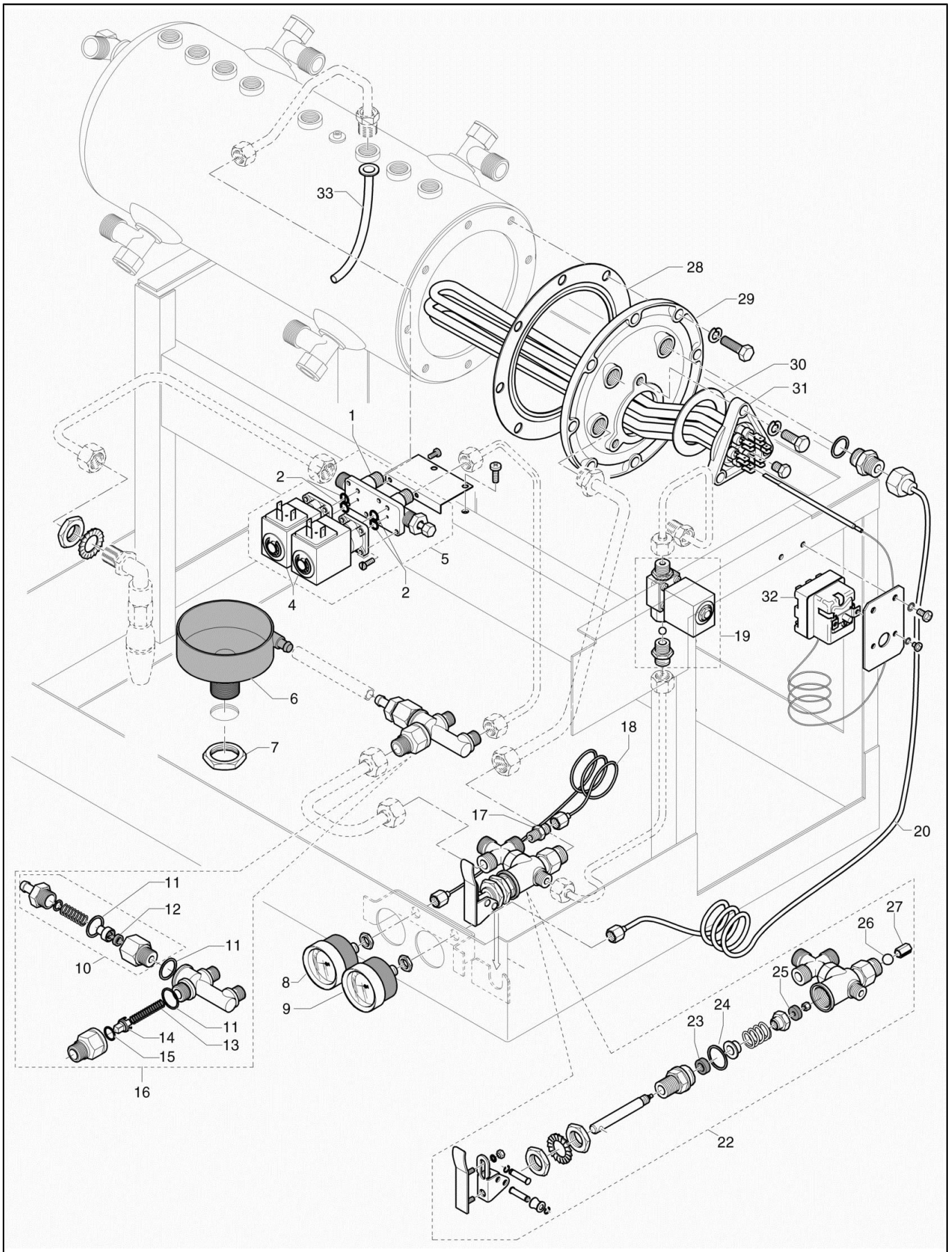
POS.	CODE	DESCRIPTION	NOTES
1	10110435	WIRING CLAMP/CONTROL SWITCH AT	
2	34200293	CONTACTOR 4P 110-250V	
3	10110436	WIRING AT CONTR.SWITCH POWER	
4	34200269	TRANSFORMER 140va	
5	10700974	KIT BOARD SDE O2 POWER	
6	10110402	FLOWMETER WIRING 1/2GR.	
7	10110420	WIRING GROUP/WATER EV.	
8	10110443	WIRING FUNCTION PANEL	
9	10110433	WIRING ECONOMISER	
10	10110445	WIRING FAN 2-3-4 GR.	
11	10110438	WIRING DISPLAY	
12	10110430	WIRING AT 2/3 GR.	
13	10110437	WIRING AT ELECTR.BOX	
14	10110434	WIRING CPU-POWER	
15	10110439	WIRING PANEL-GROUP 1	
16	10110440	WIRING PANEL-GROUP 2	
17	10110441	WIRING PANEL-GROUP 3	
18	10110442	WIRING PANEL.GROUP 4	
19	10110401	LEVEL WIRING	
22	34070174	TEMPERATURE PROBE 3/8 GAS	
23	10705365	TSC FUNCTIONS P.B. PANEL SDE	
24	34030970	GREEN SWITCH	
25	10700973	KIT BOARD SDE O3 CPU	



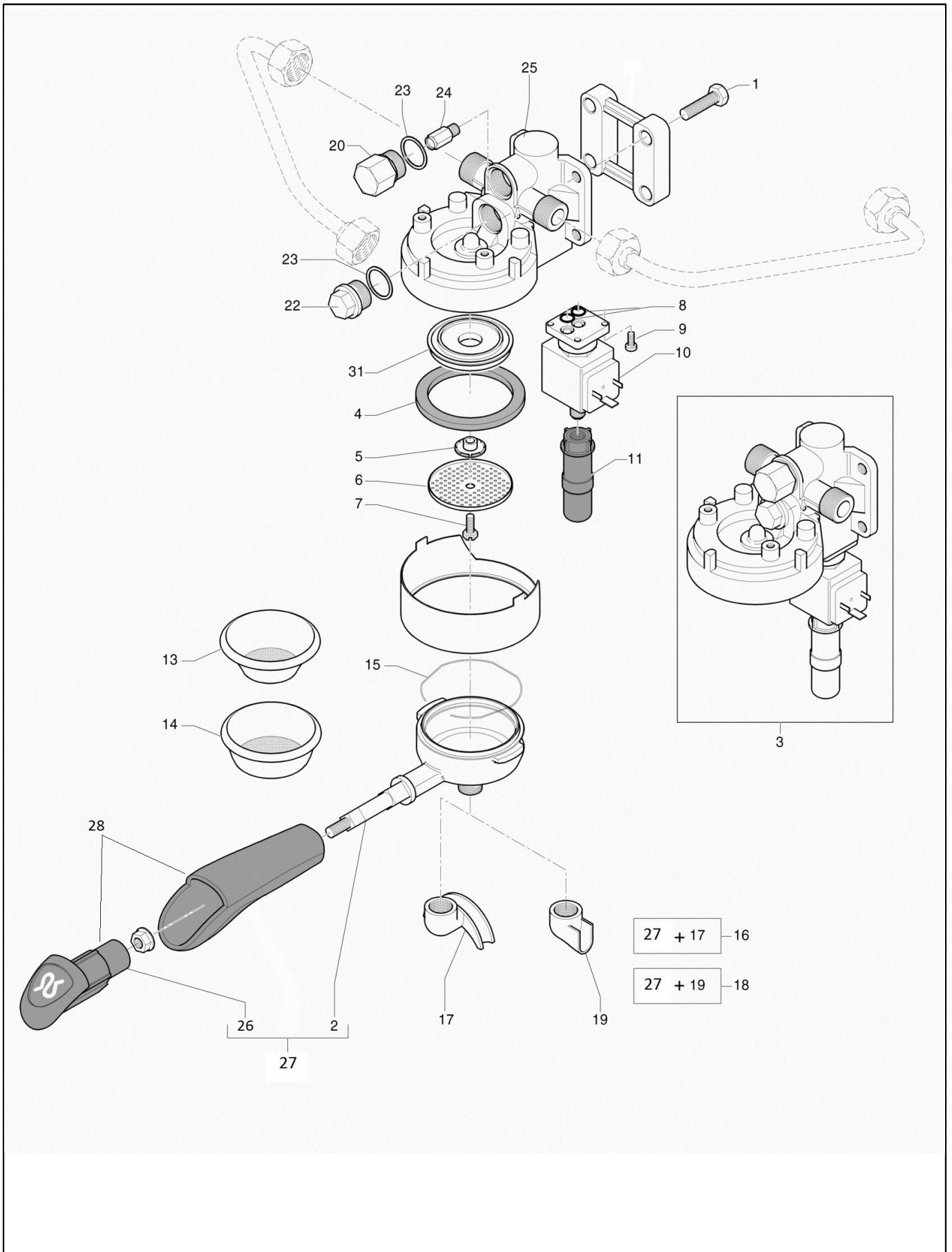
POS.	CODE	DESCRIPTION	NOTES
1	10043028	PIPE 8 X 6 X MML = 420 MM F3/8-M3/8	
2	10044039	UPPER PIPE LEVEL INDICATOR 10X8 F3/8-M3/8	
3	10044061	PIPE LEVEL 10 X 8 F3/8-M3/8	
4	10043006	PIPE 8 X 6 X MML = 280 MM	
5	10043039	PIPE 8 X 6 X MML = 350 MM	
6	10042218	PIPE 6X4X410	
	10042238	PIPE FLOWMETER HEAT EXCHANGER	
8	10046014	MANIFOLD FAN PIPE 2GR	
	10046015	MANIFOLD FAN PIPE 3GR	
	10046016	MANIFOLD FAN PIPE 4GR	
9	10043062	PIPE 8 X 6 X MML = 210 MM	
10	10043044	PIPE 8 X 6 X MML = 320 MM	
11	10042022	TUBE 6X4X230	
12	10043151	PIPE 8 X 6 F3/8-M3/8 STEAM TAP RIGHT CLASSE 9 TALL	
13	10042094	PIPE 6 X 4 X MML = 350 MM	
14	10044083	PIPE 10X8X190	
15	10042045	PIPE 6 X 4 X MML = 870 MM	
	10042047	PIPE 6 X 4 X MML = 570 MM	
16	10043029	PIPE 8 X 6 X MML = 420 MM	
17	10044068	CIRC.DELIVERY PIPE 10X8 F1/2-F1/2	
18	10044073	CIRC. RETURN PIPE 10X8 F1/2-F1/2	
19	10044054	CIRCULATION PIPE 10 X 8 F1/2-M1/2	
20	10044053	CIRCULATION PIPE 10 X 8 F1/2-M1/2	



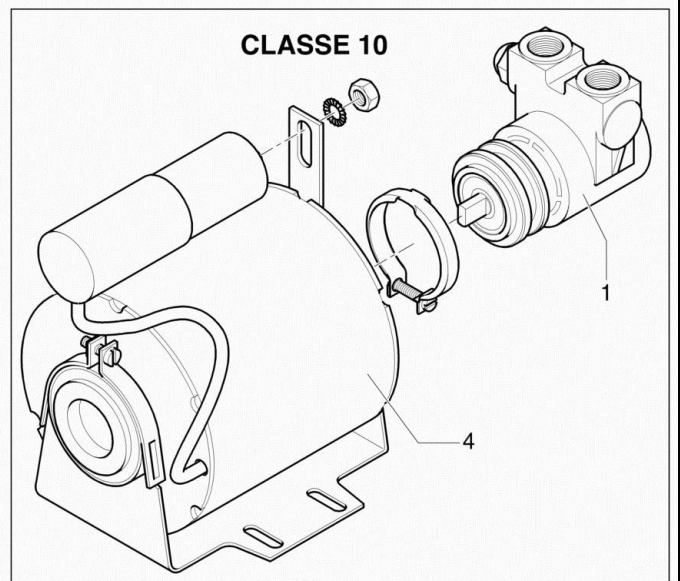
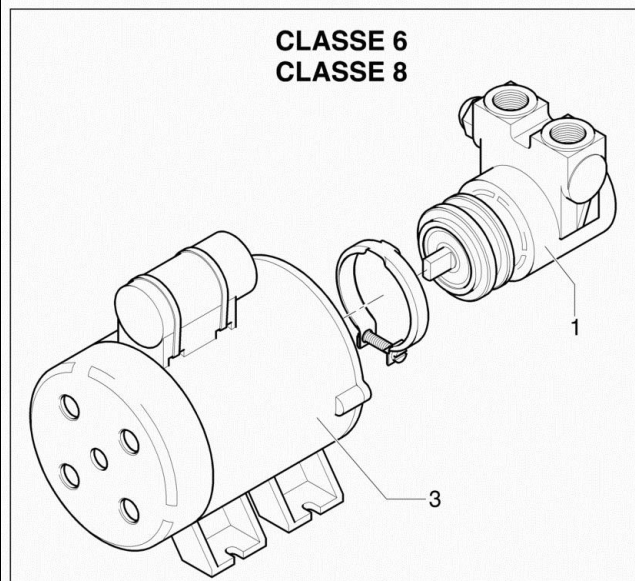
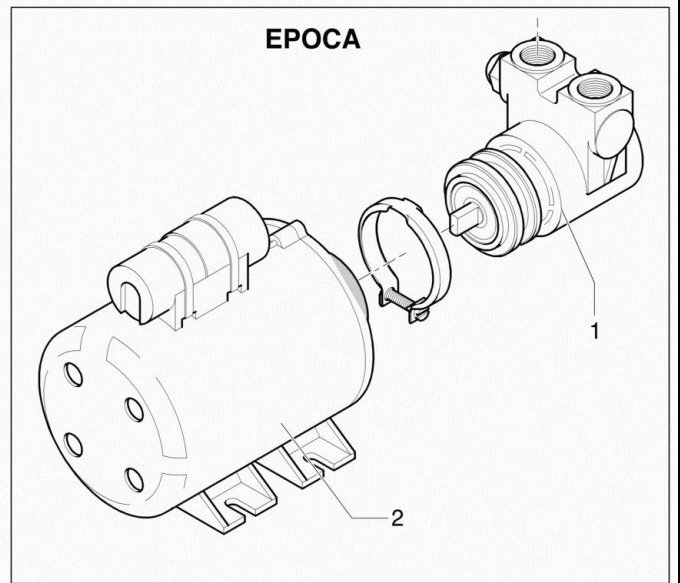
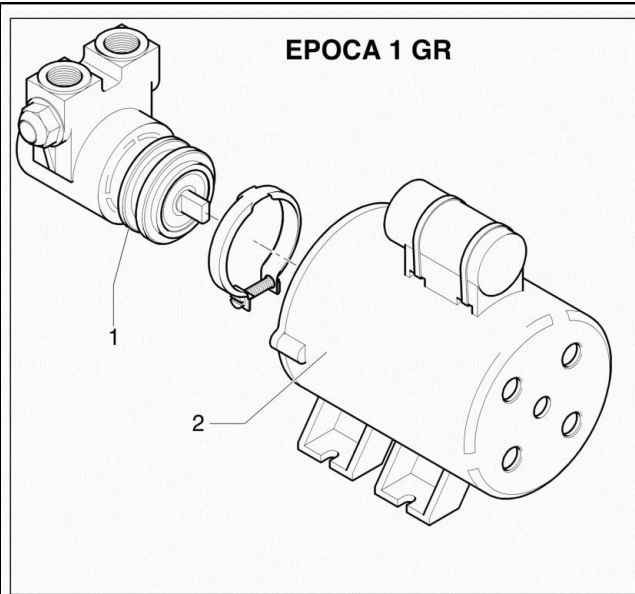
POS.	CODE	DESCRIPTION	NOTES
1	34070174	TEMPERATURE PROBE 3/8 GAS	
2	27350002	GASKET 3/8 X 1,5 COPPER	
3	10060525	SAFETY VALVE 1,9BAR 3/8	
4	23000368	CAP 3/8 FOR HEATER EXCHANGER	
5	27350002	GASKET 3/8 X 1,5 COPPER	
6	10060051	ANTIVACUUM VALVE WITH WEIGHT	
7	27350001	GASKET 3/8 X 1 COPPER GAS	
8	10042032	INJECTOR PIPE 127	
	10042034	INJECTOR PIPE 175 ASSY.	
9	34070060	FLOWMETER HORIZ. CONNECTION	
10	36240006	GASKET 11 X 7 X 1,5	
12	26220005	FLAT NUT 3/8	
13	37431600	OUTER TOOTHED WASHER D16	
14	20121104	CONNECTOR FOR LWVWL INDICATOR	
15	23212022	NUT FOR LEVEL	
16	36402003	O-RING 9,25 X 1,78 V 75SH	
17	38228066	TEFLON PIPE D.10X8X107,5	
18	26220005	FLAT NUT 3/8	
19	10060467	Valve 24V Hot water	
20	10701376	BOILER RETROFIT KIT 2GR	
	10701377	BOILER RETROFIT KIT 3GR	
	10701378	BOILER RETROFIT KIT 4GR	
21	34070211	LEVEL BOARD	



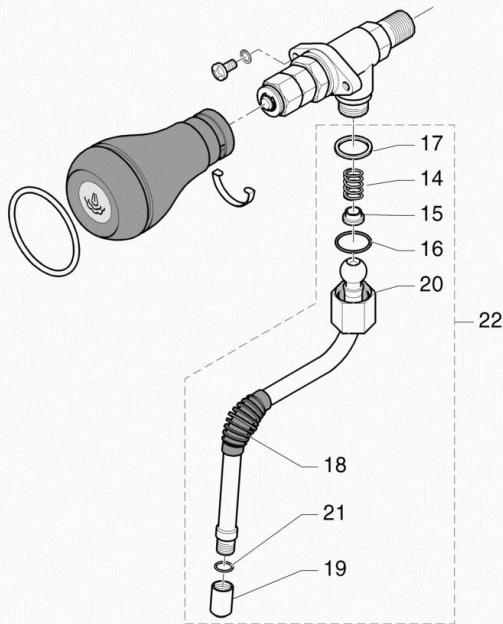
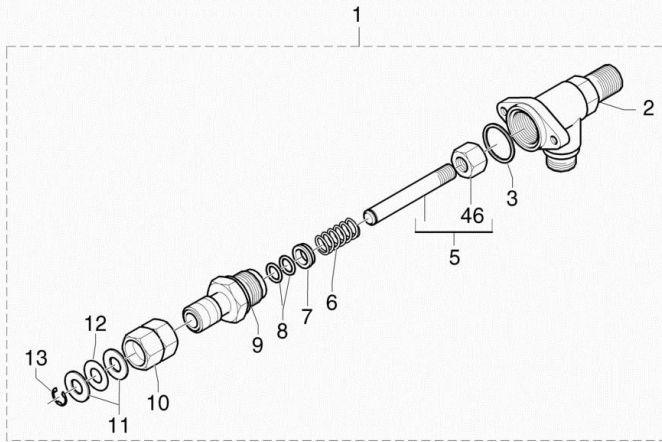
POS.	CODE	DESCRIPTION	NOTES
2	36402001	O-RING 6,07 X 1,78 EPDM 105	
4	34040027	Valve 2/2 24V	
	34040108	Valve 2/2 220-240V UL	
5	10705957	Economizer 24V	
6	38123513	DRAIN TANK NSF	
7	23232005	FLAT NUT 3/4	
8	35002509	PUMP MANOMETER	
9	35002508	BOILER MANOMETER	
10	10060460	EXPANSION VALVE	
11	27350001	GASKET 3/8 X 1 COPPER GAS	
12	36302001	GASKET PAST. VALVE RUBBER	
13	39110063	Check valve SPRING	
14	23120025	Check valve	
15	36404007	O-RING 7,65 X 1,78 EPDM 2031	
16	10706063	CHECK-EXP. VALVE + MANIFOLD 2WAYS	
17	23212019	MANOMETER CAPILL.JUNCTION	
19	10060466	Valve inlet+ check 24v	
	10060501	Valve inlet+ check 220V 60hz	
	10060503	Valve inlet+ check 110V	
	10060517	Valve inlet+ check 220V 50hz	
20	10042022	TUBE 6X4X230	
22	10060290	FEEDING PUSH BUTTON WITH LEVER	
23	36101002	GASKET AT AUCTION	
24	27400001	GASKET COPPER COMPASS RE GROUP	
25	36301102	GASKET EPDM 70 STEAM TAP NSF	
26	37900110	BALL 3/8	
27	23208015	FEEDING PUSH BUTTON SPACER	
28	36930011	GASKET BOILER COVER TEFLON	
29	20102701	BOILER COVERRE	
30	36930012	GASKET RESISTANCE TEFLON	
31	33311271	HEATING ELEMENT 110V/2700W	
	33323002	HEATING ELEMENT+CAPILL. 220-240V 3000W	
	33323004	HEATING ELEMENT CAPILL. 230V/4300W	
	33323006	HEATING ELEMENT+CAPILLAR 230V 6000W	
32	34200095	SAVE-RESISTANCEANCE EGO 3 POLES CE	
33	27120130	HOT WATER SUCTION PIPE	



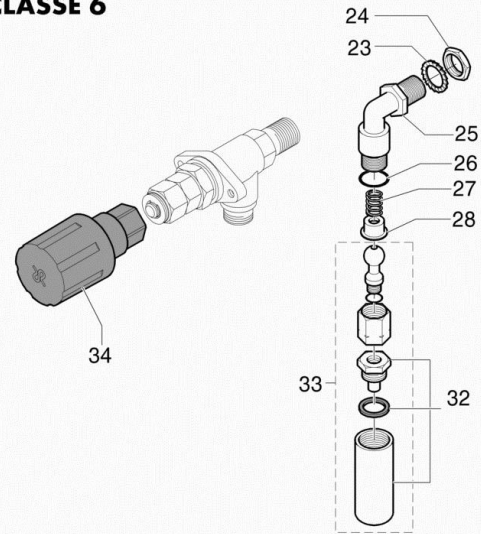
POS.	CODE	DESCRIPTION	NOTES
1	37040830	SCREW M 8X30	
2	20112011	FILTER-HOLDER	
3	10051213	GROUPHEAD CLASSE 10/SDE 24V	
	10051216	Brewing group 230V	
	10051219	Brewing group 120V	
4	36301046	GROUP GASKET PEROSSIDICA HP	
5	25139001	GROUP JETBREAKER	
6	40200005	SHOWER NET	
7	37030518	SHOWER SCREW	
8	36402005	O-RING ELECTROVALVE	
9	37060413	SCREW M 4 X 12	
10	34040149	Valve 3/2 220-240V UL (Sirai)	
	34040150	Valve 3/2 110-120V 60Hz UL (Sirai)	
	34040151	ELECTROVALVE 3/2 24V (Sirai)	
11	10090002	THERM.GROUP JETBREAKER	
13	40100106	8GR FILTER INOX	
14	40100107	16GR FILTER INOX	
15	25105007	FILTER SPRING	
16	10071137R	Porta-fiter RR/09 2doses	
17	21100801	2 CUP BEAK MC/09	
18	10071118R	Porta-fiter RR/09 1dose	
19	21102601	VITE PERFORATORE SUP.CAPSULA DOLCEGUSTO	
20	23000227	GROUP JET CAP	
22	20122653	BREWING GROUP CAP	
23	27400002	GASKET FOR BREWING GROUP CAP	
24	10060612	BREWING GROUP FLOW LIMITER ASSY.	
25	20200054	GROUP BODY	
26	10705535	FILTERHOLDER CAP WITH RING	
27	10071100	FILTERHOLDER NO BECK	
28	10705091	KIT FILTER HOLDER TAP 07	
31	20200182	SHOWER HOLDER BRASS	



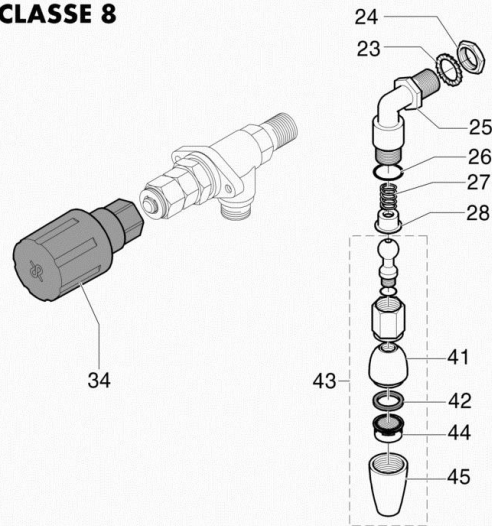
POS.	CODE	DESCRIPTION	NOTES
1	10705960	KIT PUMPING ELEMENT	
2	34011009	MOTOR 110 V CE / UL	
	34011102	VM MOTOR 230V	
3	34011010	MOTOR 230 V CE / UL	
	34011102	VM MOTOR 230V	
4	34011009	MOTOR 110 V CE / UL	
	34011102	VM MOTOR 230V	



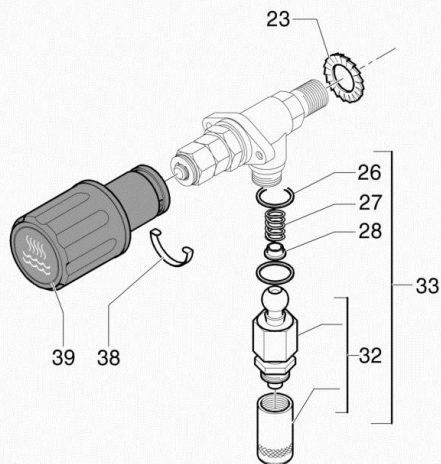
CLASSE 6



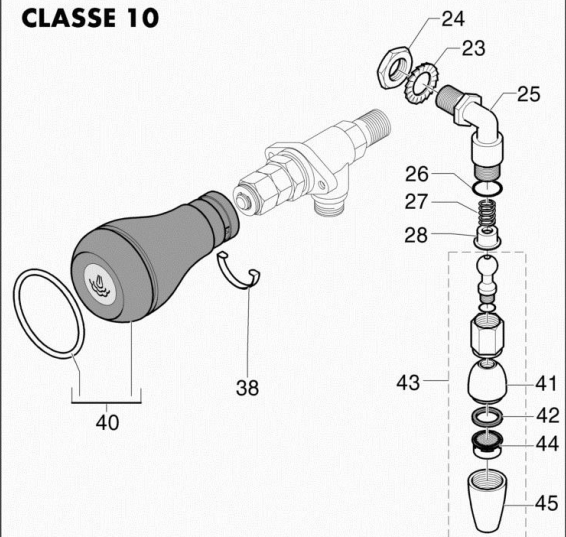
CLASSE 8



EPOCA



CLASSE 10



POS.	CODE	DESCRIPTION	NOTES
1	10060154	WATER TAP NO CONNECTOR	
2	10060026	STEAM TAP BODY WITH AV. VALVE WITH BUSH INOX	
	26220005	FLAT NUT 3/8	
3	27400001	GASKET COPPER COMPASS RE GROUP	
5	10060002	ROD+NUT AND STEAM COCK GASKET	
6	39110035	WATER-STEAM COCK SPRING	
7	25132003	SPRING GUIDE FOR NEW COCK	
8	36402003	O-RING 9,25 X 1,78 V 75SH	
9	10701401	TAP BUSH	
10	23220029	REG BUSH FOR NEW COCK	
11	32239044	NEW STEAM COCK WASHER	
12	36230001	TEFLON WASHER	
14	39110025	SPRING FOR STEAM JOINT	
15	25119005	STEAM JOINT SPRING-GUIDE-INOX-	
16	36404001	O-RING 12,3 X 2,4 V 90 SH	
17	36220009	GASKET NUT NOTE TEFLON	
18	36990004	RUBBER FOR STEAM PIPES	
19	23212033	NEW SPAYER LG 25	
21	36404022	O-RING 6,4 X 1,9 R5A	
22	10706003	STEAM PIPE	
	10706024	STEAM PIPE + JOINT MLN	
23	37431600	OUTER TOOTHED WASHER D16	
24	26220005	FLAT NUT 3/8	
25	20200113	HOT WATER CONNECTION BRASS	
26	36404001	O-RING 12,3 X 2,4 V 90 SH	
27	39110025	SPRING FOR STEAM JOINT	
28	25119005	STEAM JOINT SPRING-GUIDE-INOX-	
32	10705079	JETBREAKER+SPRAYER	
33	10701405	HOT WATER WAND WITH MOVEMENT	
34	38123884	STEAM HANDLE	
38	32210001	STEAM HANDLE SPRING	
39	10060175	STEAM HANDLE EPOCA	
	10060176	WATER HANDWHEEL COMPL	
40	10705087	STEAM COCK HAND-WHEEL	
42	36301040	O-RING FILTER JET BREAKER	
43	10049014	WATER OUTLET	
44	25135019	WATER SPRAYER FILTER -INOX-	
46	10060001	NUT+STEAM COCK GASKET	

Code	No. table	Pos.
10042022	TAV.10050/04	11
10042022	TAV.10070/04	20
10042032	TAV.10060/04	8
10042034	TAV.10060/04	8
10042045	TAV.10050/04	15
10042047	TAV.10050/04	15
10042094	TAV.10050/04	13
10042218	TAV.10050/04	6
10042238	TAV.10050/04	6
10043006	TAV.10050/04	4
10043028	TAV.10050/04	1
10043029	TAV.10050/04	16
10043039	TAV.10050/04	5
10043044	TAV.10050/04	10
10043062	TAV.10050/04	9
10043071	TAV.10030/04	3
10043151	TAV.10050/04	12
10044039	TAV.10050/04	2
10044053	TAV.10050/04	20
10044054	TAV.10050/04	19
10044061	TAV.10050/04	3
10044068	TAV.10050/04	17
10044073	TAV.10050/04	18
10044083	TAV.10050/04	14
10046012	TAV.10030/04	11
10046014	TAV.10050/04	8
10046015	TAV.10050/04	8
10046016	TAV.10050/04	8
10049014	TAV.10502/04	43
10051213	TAV.10501/04	3
10051216	TAV.10501/04	3
10051219	TAV.10501/04	3
10060001	TAV.10502/04	46
10060002	TAV.10502/04	5
10060026	TAV.10502/04	2
10060051	TAV.10060/04	6
10060154	TAV.10502/04	1
10060175	TAV.10502/04	39
10060176	TAV.10502/04	39
10060290	TAV.10070/04	22
10060460	TAV.10070/04	10
10060466	TAV.10070/04	19
10060467	TAV.10060/04	19
10060481	TAV.10030/04	12
10060501	TAV.10070/04	19
10060503	TAV.10070/04	19
10060508	TAV.10030/04	10
10060517	TAV.10070/04	19
10060525	TAV.10060/04	3
10060612	TAV.10501/04	24
10071100	TAV.10501/04	27
10071118R	TAV.10501/04	18
10071137R	TAV.10501/04	16
10090002	TAV.10501/04	11
10110401	TAV.10040/04	19
10110402	TAV.10040/04	6
10110420	TAV.10030/04	8
10110420	TAV.10040/04	7
10110430	TAV.10040/04	12
10110433	TAV.10040/04	9
10110434	TAV.10040/04	14
10110435	TAV.10040/04	1
10110436	TAV.10040/04	3
10110437	TAV.10040/04	13
10110438	TAV.10040/04	11
10110439	TAV.10040/04	15
10110440	TAV.10040/04	16

Code	No. table	Pos.
10110441	TAV.10040/04	17
10110442	TAV.10040/04	18
10110443	TAV.10040/04	8
10110445	TAV.10040/04	10
10700973	TAV.10040/04	25
10700974	TAV.10040/04	5
10701376	TAV.10060/04	20
10701377	TAV.10060/04	20
10701378	TAV.10060/04	20
10701401	TAV.10502/04	9
10701405	TAV.10502/04	33
10705079	TAV.10502/04	32
10705087	TAV.10502/04	40
10705091	TAV.10501/04	28
10705127	TAV.10020/04	7
10705316	TAV.10030/04	1
10705348	TAV.10020/04	6
10705365	TAV.10020/04	5
10705365	TAV.10030/04	7
10705365	TAV.10040/04	23
10705374	TAV.10010/04	3
10705375	TAV.10010/04	3
10705376	TAV.10010/04	3
10705377	TAV.10020/04	8
10705378	TAV.10020/04	8
10705379	TAV.10020/04	8
10705535	TAV.10501/04	26
10705957	TAV.10070/04	5
10705960	TAV.10503/04	1
10705971	TAV.10030/04	14
10705972	TAV.10030/04	9
10706003	TAV.10502/04	22
10706024	TAV.10502/04	22
10706063	TAV.10070/04	16
20102701	TAV.10070/04	29
20112011	TAV.10501/04	2
20121104	TAV.10060/04	14
20122653	TAV.10501/04	22
20200054	TAV.10501/04	25
20200113	TAV.10502/04	25
20200182	TAV.10501/04	31
21100801	TAV.10501/04	17
21102601	TAV.10501/04	19
21300761	TAV.10010/04	14
21300762	TAV.10010/04	13
21300763C	TAV.10010/04	12
21300764C	TAV.10010/04	11
23000029	TAV.10030/04	13
23000227	TAV.10501/04	20
23000368	TAV.10060/04	4
23120025	TAV.10070/04	14
23208015	TAV.10070/04	27
23212019	TAV.10070/04	17
23212022	TAV.10060/04	15
23212033	TAV.10502/04	19
23220029	TAV.10502/04	10
23232005	TAV.10070/04	7
24902005	TAV.10010/04	6
24902006	TAV.10010/04	6
24902006A	TAV.10010/04	6
24902009	TAV.10020/04	4
24902010	TAV.10020/04	4
24902010A	TAV.10020/04	4
24902011	TAV.10020/04	4
24902012	TAV.10020/04	3
24902013	TAV.10020/04	3
24902013A	TAV.10020/04	3

Code	No. table	Pos.
25105003	TAV.10030/04	6
25105007	TAV.10501/04	15
25119005	TAV.10502/04	15
25119005	TAV.10502/04	28
25126013	TAV.10020/04	13
25132003	TAV.10502/04	7
25135019	TAV.10502/04	44
25139001	TAV.10501/04	5
26220005	TAV.10060/04	12
26220005	TAV.10060/04	18
26220005	TAV.10502/04	2
26220005	TAV.10502/04	24
27120130	TAV.10070/04	33
27350001	TAV.10060/04	7
27350001	TAV.10070/04	11
27350002	TAV.10060/04	2
27350002	TAV.10060/04	5
27400001	TAV.10070/04	24
27400001	TAV.10502/04	3
27400002	TAV.10501/04	23
31312012	TAV.10010/04	7
31312012A	TAV.10010/04	7
31312013	TAV.10010/04	7
31312013A	TAV.10010/04	7
31312014	TAV.10010/04	7
31312014A	TAV.10010/04	7
32210001	TAV.10502/04	38
32239044	TAV.10502/04	11
32330542	TAV.10020/04	9
32330543	TAV.10020/04	9
32330974	TAV.10020/04	9
32330979	TAV.10010/04	4
32330980	TAV.10010/04	4
32330981	TAV.10010/04	4
32330986	TAV.10020/04	1
32330990	TAV.10010/04	8
32330991	TAV.10010/04	9
32330992	TAV.10010/04	10
32331007	TAV.10020/04	2
32331008	TAV.10020/04	2
32331009	TAV.10020/04	2
33122002	TAV.10010/04	1
33122003	TAV.10010/04	1
33122004	TAV.10010/04	1
33311271	TAV.10070/04	31
33323002	TAV.10070/04	31
33323004	TAV.10070/04	31
33323006	TAV.10070/04	31
34011009	TAV.10503/04	2
34011009	TAV.10503/04	4
34011010	TAV.10503/04	3
34011102	TAV.10503/04	2
34011102	TAV.10503/04	3
34011102	TAV.10503/04	4
34030970	TAV.10040/04	24
34040027	TAV.10070/04	4
34040108	TAV.10070/04	4
34040149	TAV.10501/04	10
34040150	TAV.10501/04	10
34040151	TAV.10501/04	10
34070060	TAV.10060/04	9
34070174	TAV.10040/04	22
34070174	TAV.10060/04	1
34070211	TAV.10060/04	21
34200095	TAV.10070/04	32
34200269	TAV.10040/04	4
34200293	TAV.10040/04	2

Code	No. table	Pos.
35002508	TAV.10070/04	9
35002509	TAV.10070/04	8
36101002	TAV.10070/04	23
36220009	TAV.10502/04	17
36230001	TAV.10502/04	12
36240006	TAV.10060/04	10
36301040	TAV.10502/04	42
36301046	TAV.10501/04	4
36301102	TAV.10070/04	25
36302001	TAV.10070/04	12
36402001	TAV.10070/04	2
36402003	TAV.10060/04	16
36402003	TAV.10502/04	8
36402005	TAV.10501/04	8
36404001	TAV.10502/04	16
36404001	TAV.10502/04	26
36404007	TAV.10070/04	15
36404022	TAV.10502/04	21
36930011	TAV.10070/04	28
36930012	TAV.10070/04	30
36990004	TAV.10502/04	18
37030517	TAV.10020/04	15
37030518	TAV.10501/04	7
37040830	TAV.10501/04	1
37060413	TAV.10501/04	9
37431600	TAV.10060/04	13
37431600	TAV.10502/04	23
37900110	TAV.10070/04	26
38123513	TAV.10070/04	6
38123568	TAV.10010/04	16
38123852	TAV.10010/04	17
38123856	TAV.10020/04	11
38123862	TAV.10020/04	14
38123884	TAV.10502/04	34
38123921	TAV.10010/04	2
38123921	TAV.10010/04	2
38123921	TAV.10010/04	2
38228003	TAV.10030/04	5
38228016	TAV.10030/04	4
38228066	TAV.10060/04	17
39110025	TAV.10502/04	14
39110025	TAV.10502/04	27
39110035	TAV.10502/04	6
39110063	TAV.10070/04	13
40100106	TAV.10501/04	13
40100107	TAV.10501/04	14
40200005	TAV.10501/04	6
42200122	TAV.10020/04	16
42200123	TAV.10010/04	5
42200124	TAV.10020/04	12
69000979	TAV.10020/04	10
69000980	TAV.10010/04	15



Headquarters, Production Plant and R&D Centers

Rancilio Group s.p.a.

Viale della Repubblica 40
20010 Villastanza di Parabiago
Milano - Italy
Tel +39 0331 408200
Fax +39 0331 551437
www.ranciliogroup.com
info@ranciliogroup.com

Egro Suisse AG

Bahnhofstrasse 66
5605 Dottikon, Switzerland
Tel. +41 (0)56 616 95 95
Fax +41 (0)56 616 95 97
www.egrocoffee.com
info@egrocoffee.com

Worldwide Branch Locations

SPAIN

RancilioGroup Espana, s.a.
Gran Via de Carlos III, 84 3ª
Edificio Trade
08028 Barcelona - Spain
Tel. +34 902 884 275
Tel. +34 934 923 414
Fax +34 934 965 701
www.ranciliogroup.com
info-es@ranciliogroup.com

PORTUGAL

Rancilio Group Portugal Lda
Estrada da Falagueira nº 68 E
2700-365 Amadora-Lisboa - Portugal
Tel. +351 21 019 10 91
Fax +351 21 019 10 91

Rua Nova do Seixo 1282
4465-706 Leça do Balio-Porto - Portugal
Tel. +351 22 010 14 19
Fax +351 22 010 14 19
www.ranciliogroup.com
info-pt@ranciliogroup.com

GERMANY

Rancilio Group Deutschland GmbH
Talstrasse 27
97990 Weikersheim - Germany
Ph. +49 7934 99 29 30
Fax +49 7934 99 29 330
www.ranciliogroup.de
info-de@ranciliogroup.com

SWITZERLAND

Egro Suisse AG
Bahnhofstrasse 66
5605 Dottikon - Switzerland
Tel. +41 (0)56 616 95 95
Fax +41 (0)56 616 95 97
www.egrosuisse.ch
info@egrosuisse.ch

USA/CANADA

Rancilio Group North America Inc.
1340 Internationale Parkway / Suite 200
Woodridge, IL 60517 - U.S.A.
Ph: +1 630 914 7900
Fax: +1 630 914 7901
Toll Free: +1 877 726 2454
www.ranciliogroup.com
info@ranciliogroupna.com

