



coffeeing the World

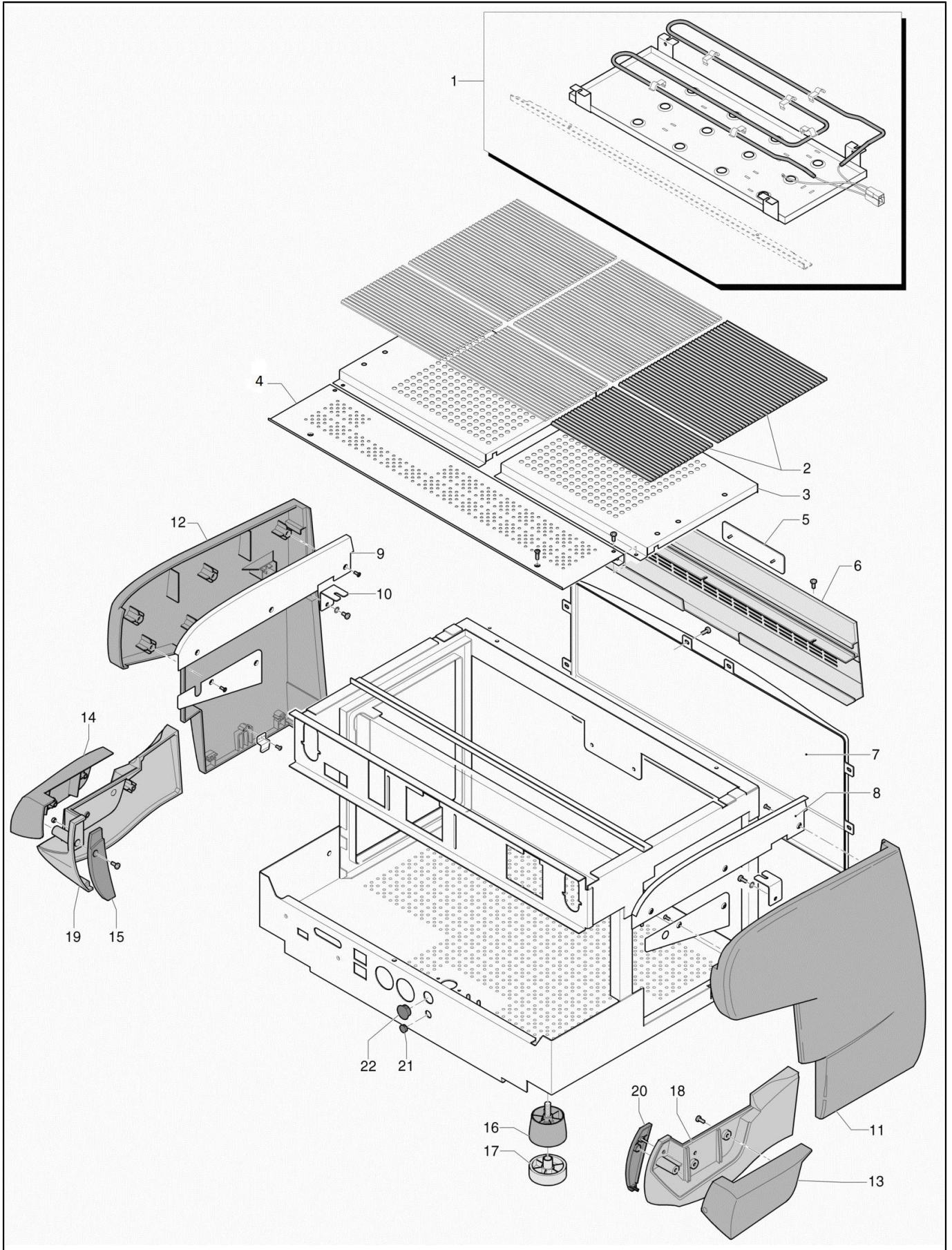
CLASSE 10 RE/07



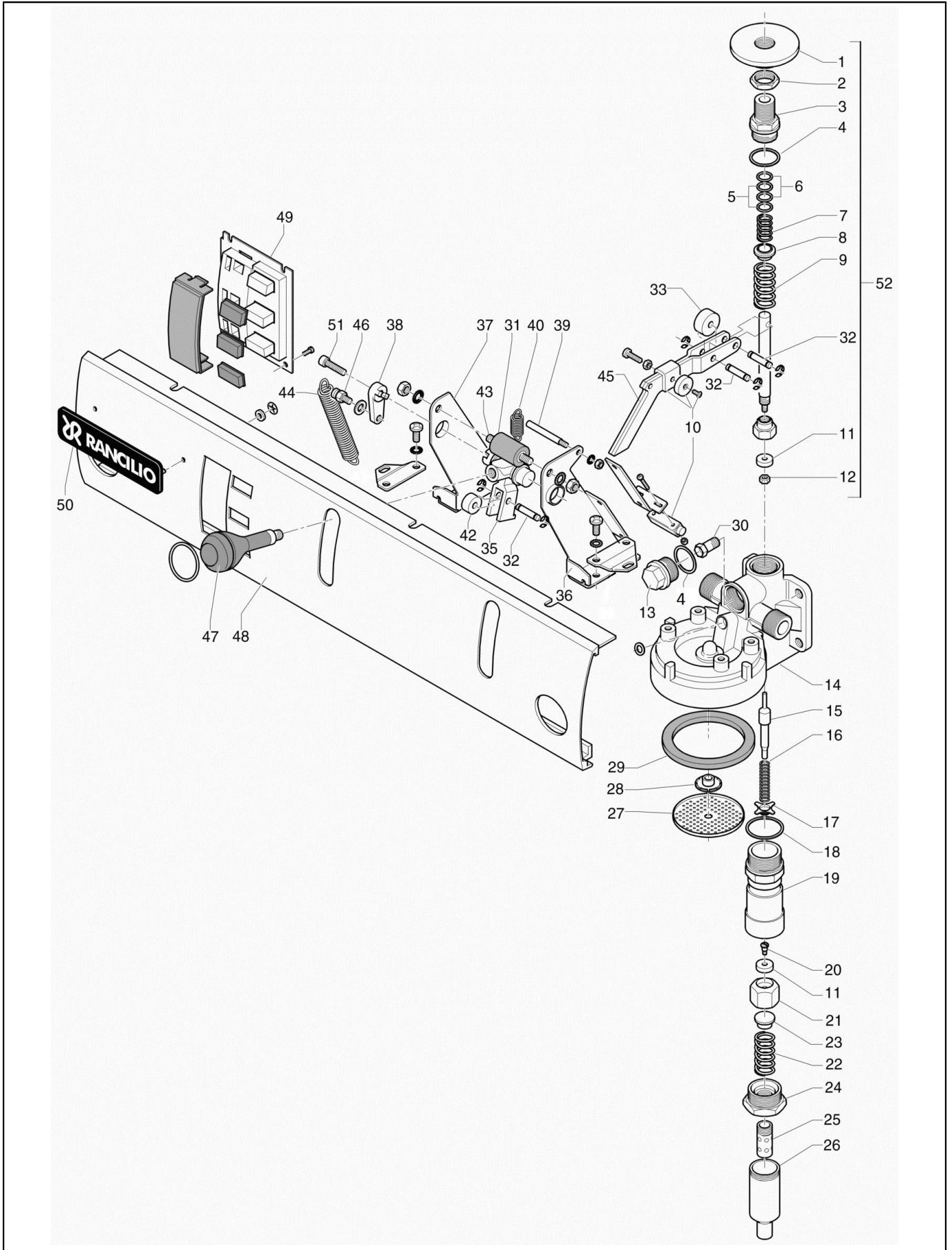
CLASSE 10

Index

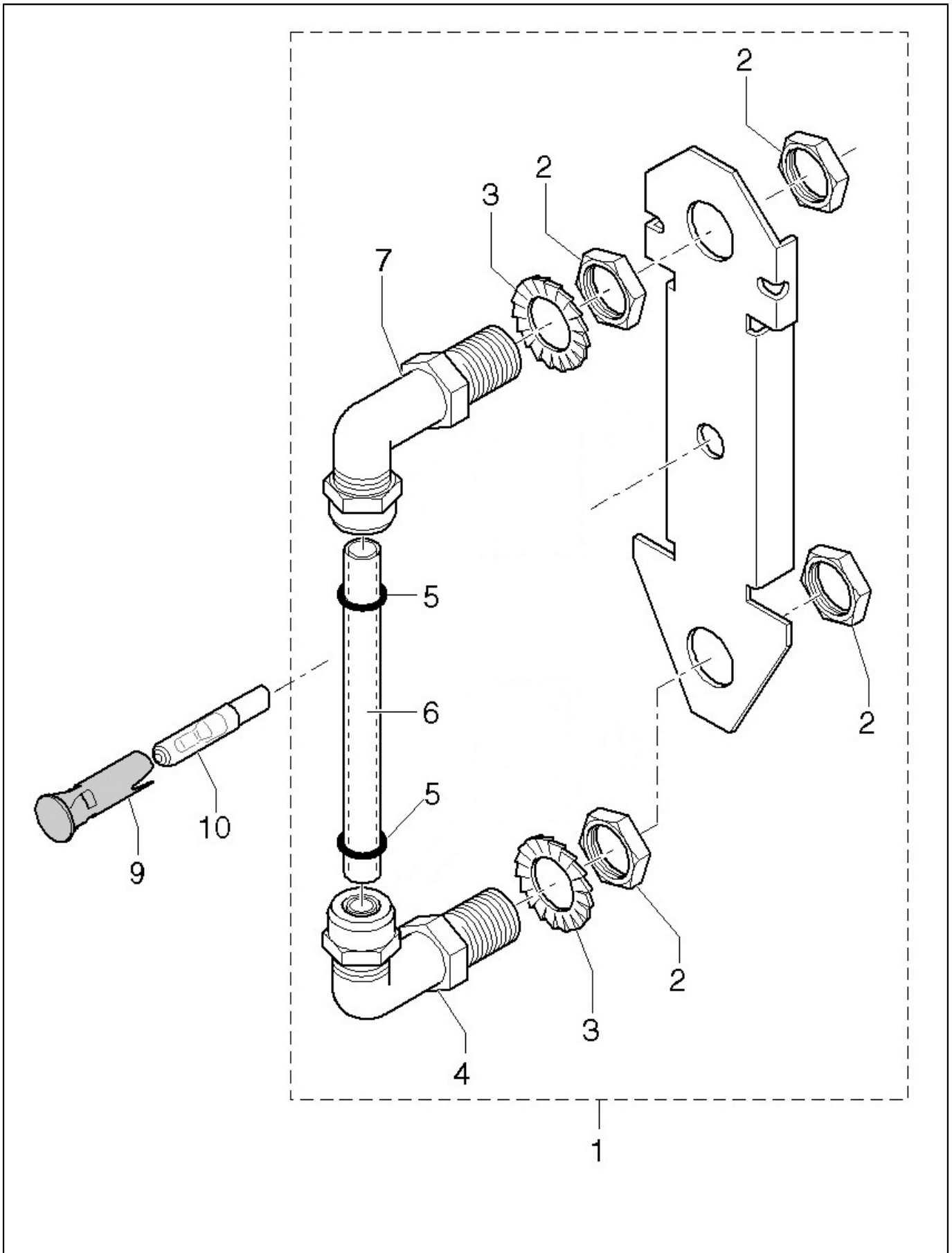
Table 1000 - Body.....	4
Table 1003 - CONTROL PANEL RE.....	6
Table 2009 - LEVEL INDICATOR.....	8
Table 2010 - HEATING ELEMENT/CHECK EXP. VALVE S.....	10
Table 2012 - HYDRAULIC MODULE S / RE.....	12
Table 2002 - Water spout	14
Table 2003 - Clever Steam Tap	16
Table 2006 - HYDRAULIC CIRCUIT RE.....	18
Table 3001 - Motor and pump unit.....	20
Table 3002 - Electric Part/Electronic.....	22
Table 4000 - GAS PLANT.....	24
Table 4002 - YOUSTEAM.....	26
Alphanumeric index.....	28



POS.	CODE	DESCRIPTION	NOTES
1	10700276	Kit Cupwarmer 2Gr + Screws Set	
	10700277	Kit Cupwarmer 3Gr + Screws Set	
	10700278	KIT CUPWARMER 4GR + SCREWS SET	
2	38123921	Heating Cups Grate	
3	10705374	Set Cup-Warmer Grates Inox 2Gr	
	10705375	Set Cup-Warmer Grates Inox 3Gr.	
	10705376	SET CUP-WARMER GRATES INOX 4 GR.	
4	32330979	GROUP COVER BAND 2GR	
	32330980	Group Cover Band 3Gr	
	32330981	Group Cover Band 4Gr	
5	42200123	Rancilio Plate Mm.145	
6	24902044	REAR BOARD 2GR. CL 10/07	
	24902045	Rear Board 3Gr. Cl 10/08	
	24902046	REAR BOARD 4GR. CL 10/09	
7	31312012B	Rear Panel 2Gr.Grey Cl10/07	
	31312013B	Rear Panel 3Gr.Grey Cl10/07	
	31312014B	FRONT PANEL 4GR.GREY CL10/07	
8	32330990	Support Dx	
9	32330991	Support Sx	
10	32330992	Support Square	
11	10705476	Side Panel Dx Cl 10/07	
12	10705477	Side Panel Sx Cl 10/07	
13	38123668	Guard Band Side Panel Sx Cl10/07	
14	38123667	Guard Band Side Panel Dx Cl10/07	
15	38123674	Stopper Side Panel Sx Cl10/07	
16	38123568	Machine Foot	
17	38123852	Riser For Machine Foot	
18	21300766B	Lower Side Panel Rught Cl10/07 Grey	
19	21300765B	Lower Side Panel Left Cl10/07 Grey	
20	38123673	Stopper Side Panel Dx Cl10/07	
21	38221005	Cap Diam. 13	
22	38221004	Cap D. 22	
23	37175012	Screw M5 X 12Mm	side panel/back panel/top panel

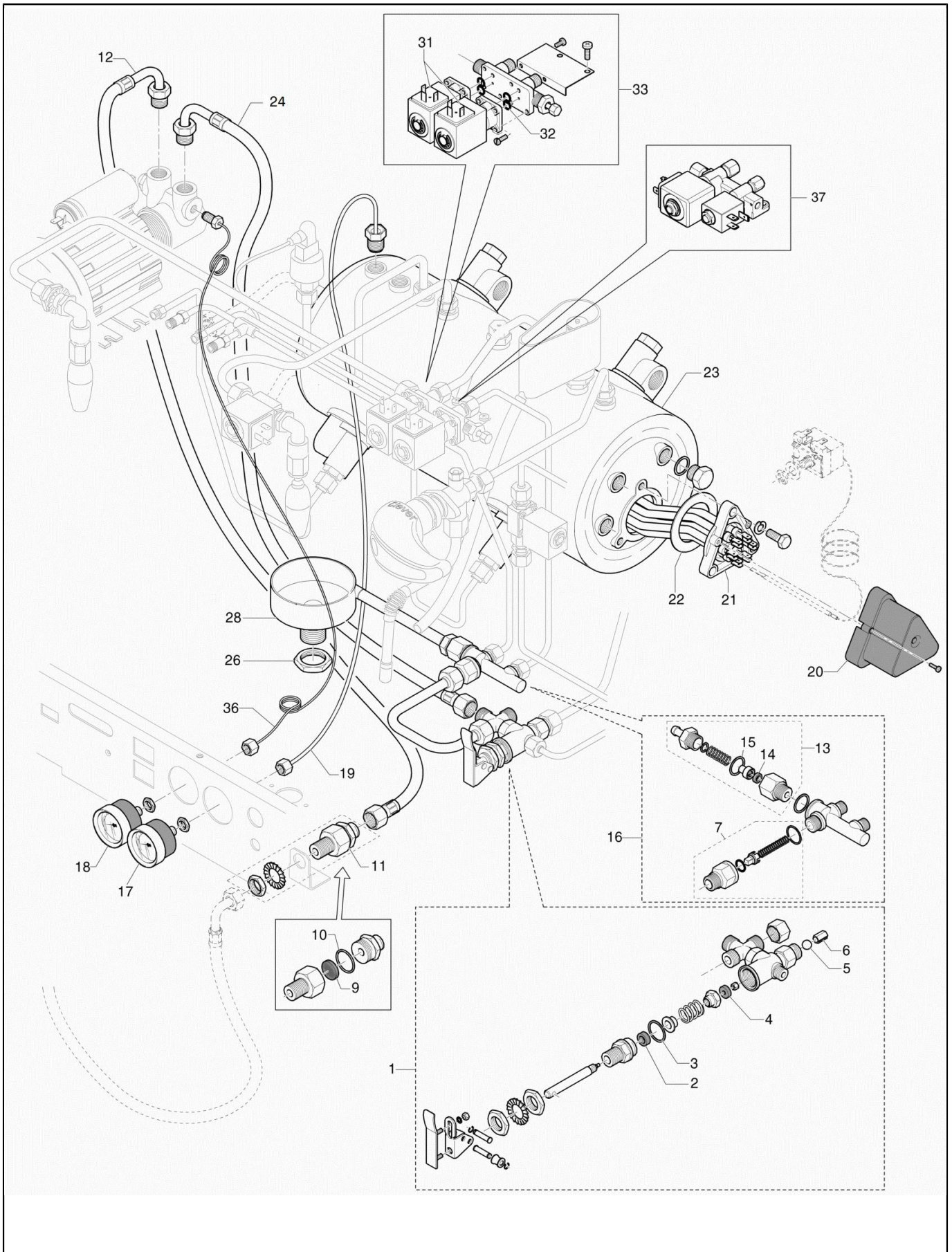


POS.	CODE	DESCRIPTION	NOTES
1	23000127	Reg. Plate C10/Re Grouphead	
2	23220003	Disk-Block Nut	
3	23000261	Compass Guide Pin Classe 10/Re	
4	27400001	Gasket Copper Compass Re Group	
5	36230006	Rod Washer	
6	36402003	O-Ring 9,25 X 1,78 V 75Sh	
7	39110030	Cap Spring	
8	23000275	Spring Guide	
9	39110072	Return Valve Spring	
10	10705974	KIT GROUP REED ASSEMBLING RE	
11	36302002	Gasket Past Valve	
12	23000259	Gasketholder Nut	
13	23000227	Group Jet Cap	
14	10705406	Kit Group Body Cl 10/Re	
15	25124013	Drain Drive-Rod	
16	39110071	Drain Rod Spring	
17	23139001	Infusion Spring-Guide	
18	36240003	Gasket Drain	
19	23000059	Infusion Drain Valve Cl 10/Re	
20	25118002	Blocking Gasket Screw	
21	23220012	Gasket-Holder	
22	39110010	Valve Spring	
23	23127012	Drain Spring-Drive	
24	23227009	Drain Valve Nut	
25	23119016	Drain Jetbreaker	
26	28400011	Drain Diffuser Gr.Re	
27	40200005	Shower Net	
28	25139001	Group Jetbreaker	
29	36301046	Group Gasket Perossidica Hp	
30	10060612	Brewing Group Flow Limiter Assy.	
31	36901599	Damper	
32	25118004	Roller Pin	
33	23135006	Roller Fulcrum Pin	
35	20122631	Transmission Arm	
36	32559078	Dx Pannel	
37	32559079	Pannel Left	
38	20122642	Shock Absorbing Arm Gr Re	
40	39220030	Lever Spring	
42	26128010	Roller Lever	
43	25124011	Pin For Level Rotation	
44	39220025	Lever Damper Spring	
45	32599001	Control Lever	
46	26208002	Shock Absorbing Spring Pin	
47	38123868	Handle Re Brewing Group	
48	24902037	Control panel CL /10 -RE 07 2GR.	
	24902038	Control Panel Cl /10 -Re 07 3Gr.	
	24902039	Control panel CL /10 -RE 07 4GR.	
49	10705364	Functions Keyboard S	
50	42200122	Rancilio Plate Mm115	
51	37060515	Screw M5X14	
52	10705008	Whole Ne Feed Valve	
53	37154212	Screw 4,2X13	

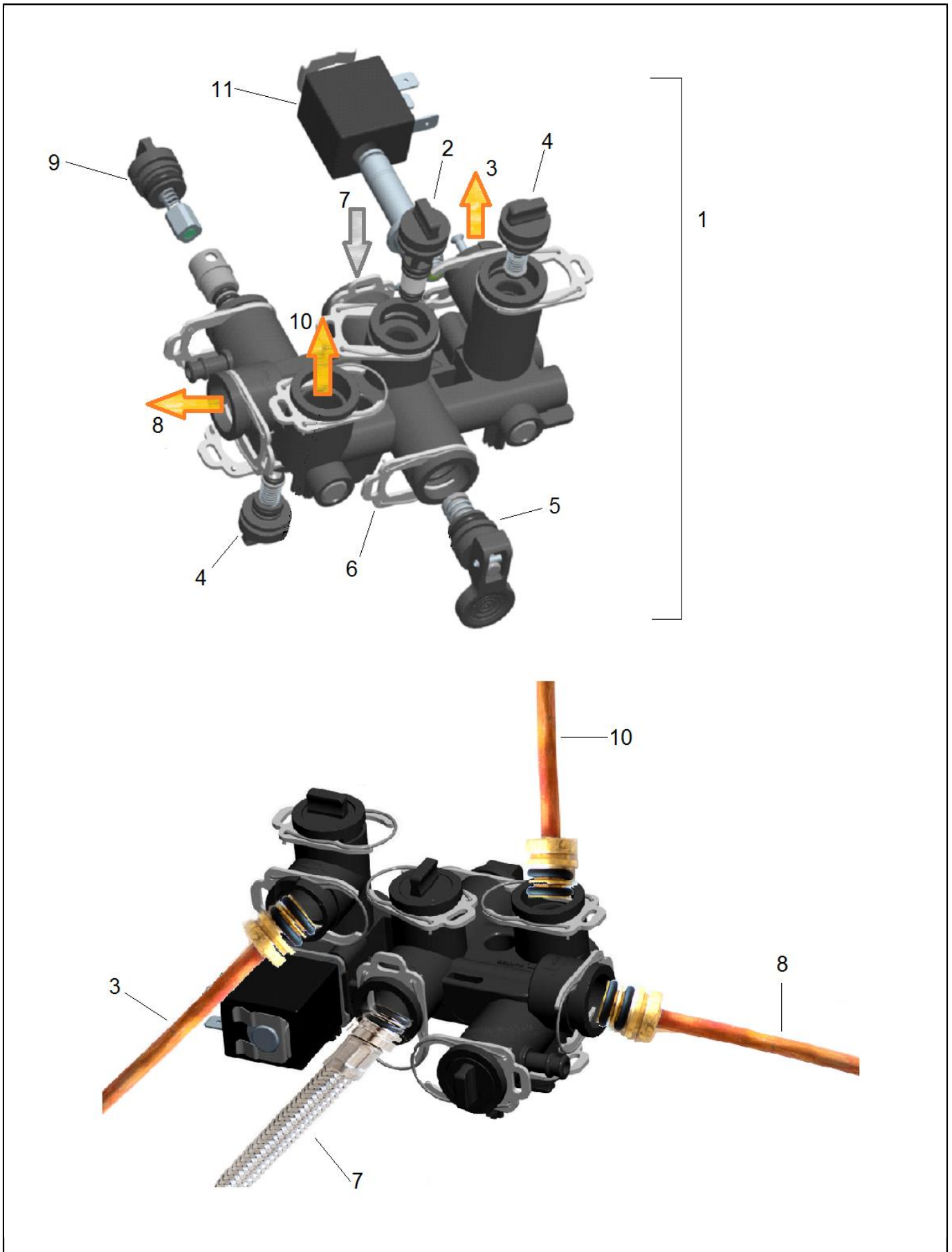


POS.	CODE	DESCRIPTION	NOTES
1	10060382	Level Indicator/13	
2	26220005	Flat Nut 3/8	
3	37430600	Toothed Washer D. 6	
4	20121104	CONNECTOR FOR LWVWL INDICATOR	
5	36402003	O-Ring 9,25 X 1,78 V 75Sh	
6	38228066	Teflon Hose 10 X 8 X 107,5	
7	23222035	Long Junction 3/8	
9	34030110	Round Orange Lamp	
10	34030116	Neon Lamp	

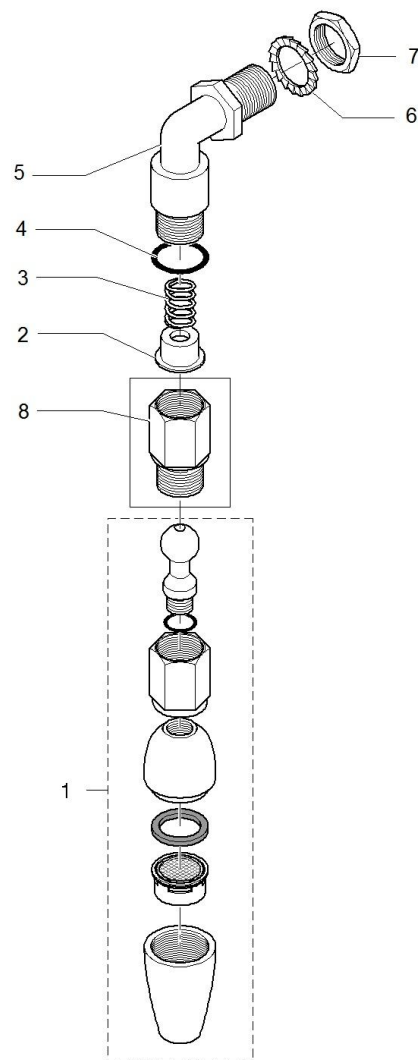
HEATING ELEMENT/CHECK EXP. VALVE S



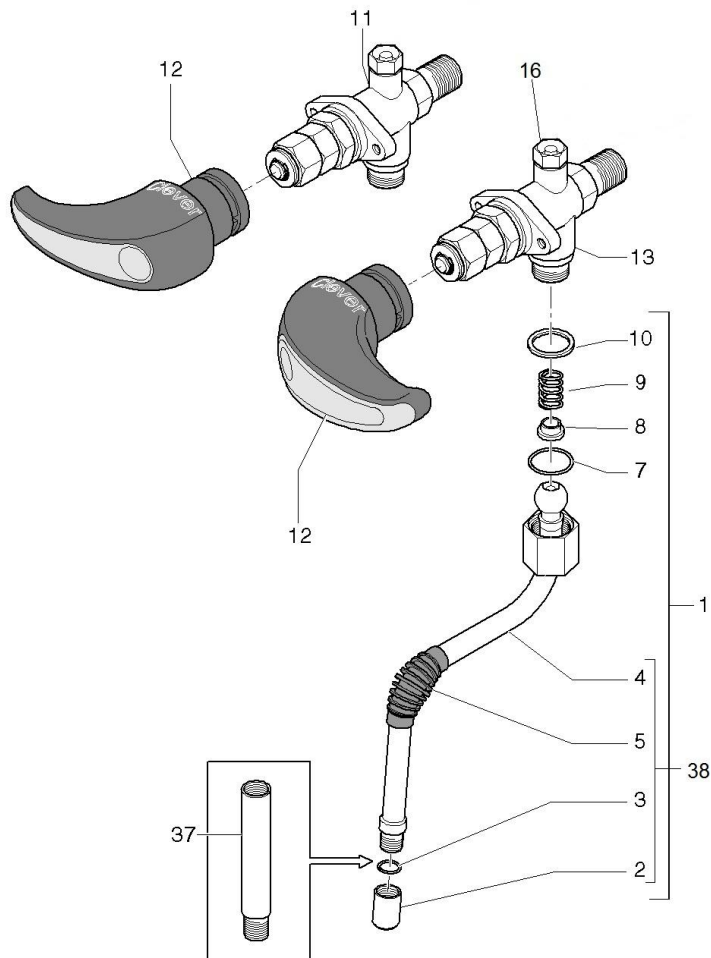
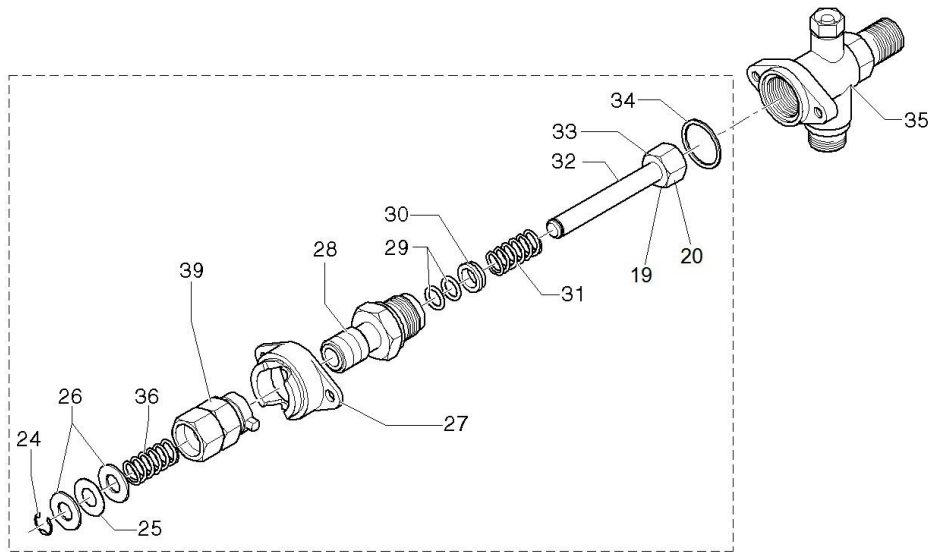
POS.	CODE	DESCRIPTION	NOTES
1	10060290	FEEDING PUSH BUTTON WITH LEVER	
2	36101002	Gasket At Auction	
3	27400001	Gasket Copper Compass Re Group	
4	36302002	Gasket Past Valve	
5	37900110	Ball 3/8	
6	23208015	Feeding Push Button Spacer	
7	10060448	Check Valve	
9	40100500	Disc Filter Aisi 304 D.20,8X3	
10	36404006	O-Ring 2087 Dp2-4	
11	10060961	Filter Water Mc/07	
12	69000734	Flex Pipe Mm1800 With Elbow+Check Valve	
	69000735	Flex Pipe Mm2300 With Elbow+Check Valve	
13	10060460	Expansion Valve	
14	36302001	Gasket Past. Valve Rubber	
15	27350001	Gasket 3/8 X 1 Copper	
16	10706067	CHECK-EXPVALVE 2WAYS	
17	35002508	Manometer Boiler 0-2,5 Bar D. 44	
18	35002509	Manometer Pompe 0-16 D. 44	
19	10041053	Pipe 4X3X600 F1/8 M3/8	
20	38123665	Cover Heating Element	
21	33323004	Heating Element Capill. 230V/4300W	
	33323006	Heating Element+Capillar 230V 6000W	
22	36930012	Gasket Resistance Teflon	
23	10701376	Boiler Retrofit Kit 2Gr	
	10701377	Boiler Retrofit Kit 3Gr	
	10701378	Boiler Retrofit Kit 4Gr	
24	69000723	Flex Pipe Mm.880	
	69000724	Flex Pipe Mm.1200	
	69000725	Pipe Flex Mm.730	
26	23222002	Low Nut 3/8	
28	38123513	Drain Tank Nsf	
31	34040027	Valve 2/2 24V	
	34040108	Valve 2/2 220-240V UI	
32	36401003	O-Ring 103 Rubber	
36	69000244	Pipe Pump Manometer	
37	10705760	Economizer 230V/2016	
	34049016	OPERATOR KIT WATER ECONOM. 220V HOT WATER (BIG)	CLASSE 10 S/CLASSE 10 RE
	34049017	Operator Kit Water Econom. 220V Cold Water (Little)	CLASSE 10 S/CLASSE 10 RE



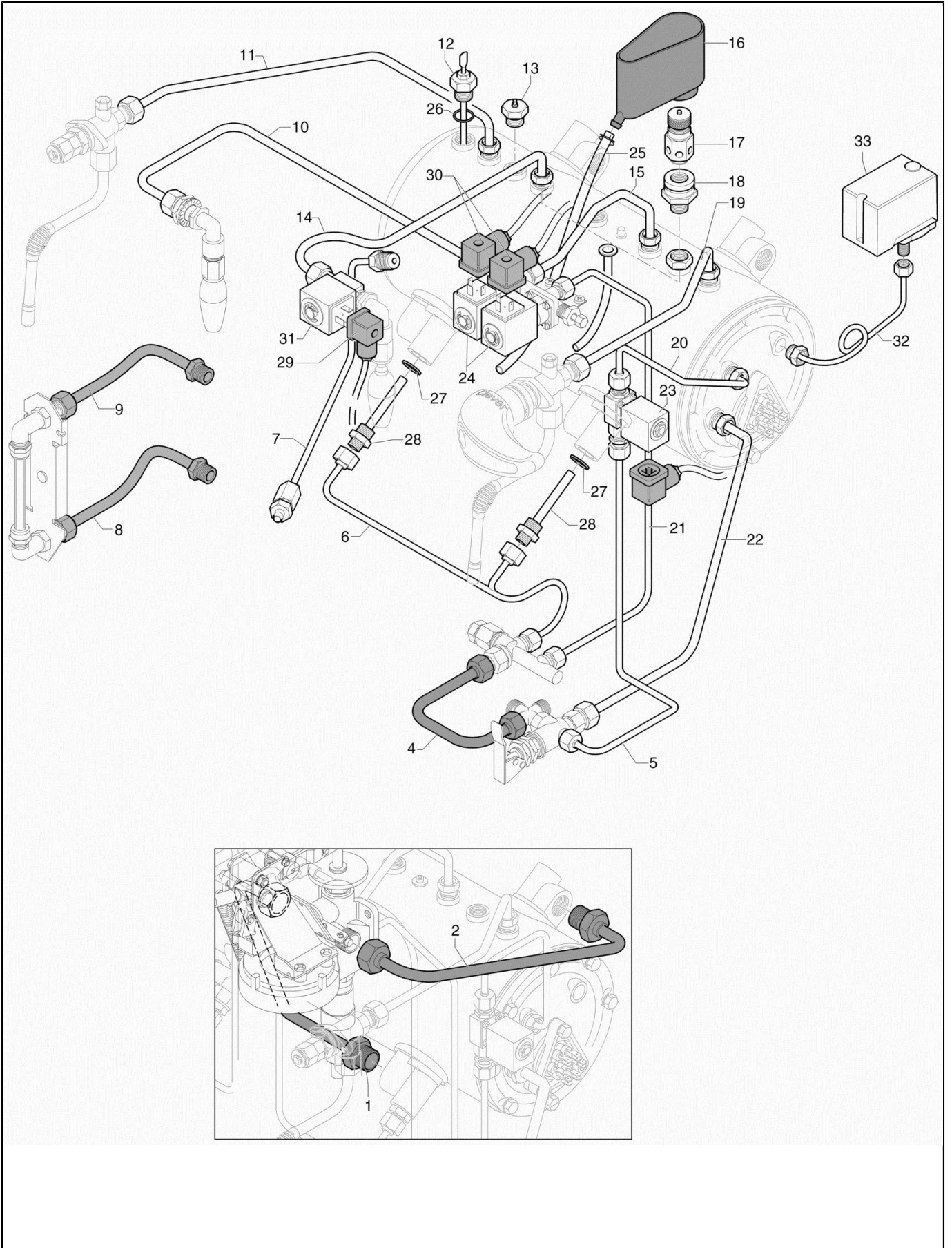
POS.	CODE	DESCRIPTION	NOTES
1	10700300	Starter Kit Hydro Hub 220-24V	
	10700323	Maintenance Kit Hydro Hub 110/24V	
	10701245	Hydro Hub 120V 60Hz	
	10701246	Hydro Hub 230V	
2	69140006	Filter Hydraulic Module	
3	10042152	Pipe 6 X 4 Hh-M3/8 Boiler Inlet Tall	
	36404052	O-Ring 9,16 X 2,62 F 3037	
4	69140016	Check Valve Cap	
	69140018	Spring Check Valve	
	69140047	Kit Check Valve Complete	
	69140048	Gummy+Bush	
5	69140008	Manual Tap Hydraulic Module	
6	69140012	Closing Bracket Hydraulic Module	
7	36404052	O-Ring 9,16 X 2,62 F 3037	
	69000730	Flex Pipe M3/8 1060 Mm Elbow	
	69000731	Flex Pipe 3/8M-Sn Mm 830 Elbow	
	69000738	Flex Pipe M3/8 1290 Mm Elbow	
8	10042027	PIPE 6X4X940 ECONOMIZER HYDRAULIC MOD.	
	10042062	Pipe 6X4X690 Economizer Hydraulic Mod.	
	10042069	PIPE 6X4X430 ECONOMIZER HYDRAULIC MOD.	
	36404052	O-Ring 9,16 X 2,62 F 3037	
9	69140009	Pressure Relief Valve Hydraulic Module	
	69140010	Spring Pressure Relief Valve Hydraulic Module	
	69140011	Plunger Pressure Relief Valve Hydraulic Module	
	69140019	Pressure Relief Valve Cap	
10	10046060	Pipe Heat Exch.-H.H. 4Gr	
	10046081	Pipe To Heating Exchanger 2Gr H.H.	
	10046082	Pipe To Heating Exchanger 3Gr H.H.	
	36404052	O-Ring 9,16 X 2,62 F 3037	
11	69140014	Operator Kit 220-240V Hydraulic Module	
	69140015	Operator Kit 110-120V Hydraulic Module	



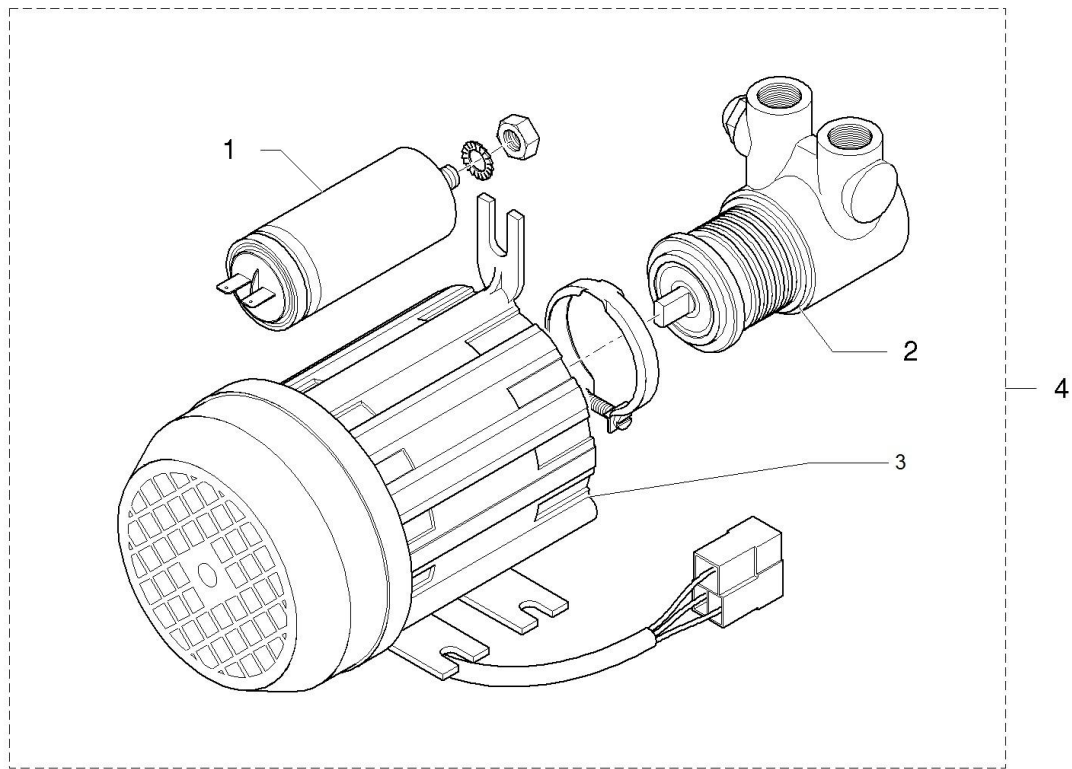
POS.	CODE	DESCRIPTION	NOTES
1	10049014	Water Outlet	
2	36930016	Gasket Teflon Connection Steam Wand	
3	39110038	Spring Connection Steam Tap	
4	36220009	Gasket Nut Note Teflon	
5	20200113	Hot Water Connection Brass	
6	37431600	Outer Toothed Washer D16	
7	26220005	Flat Nut 3/8	
8	23000413	Steam/Water Tap Extension	only for Classe 9/solo Classe 9



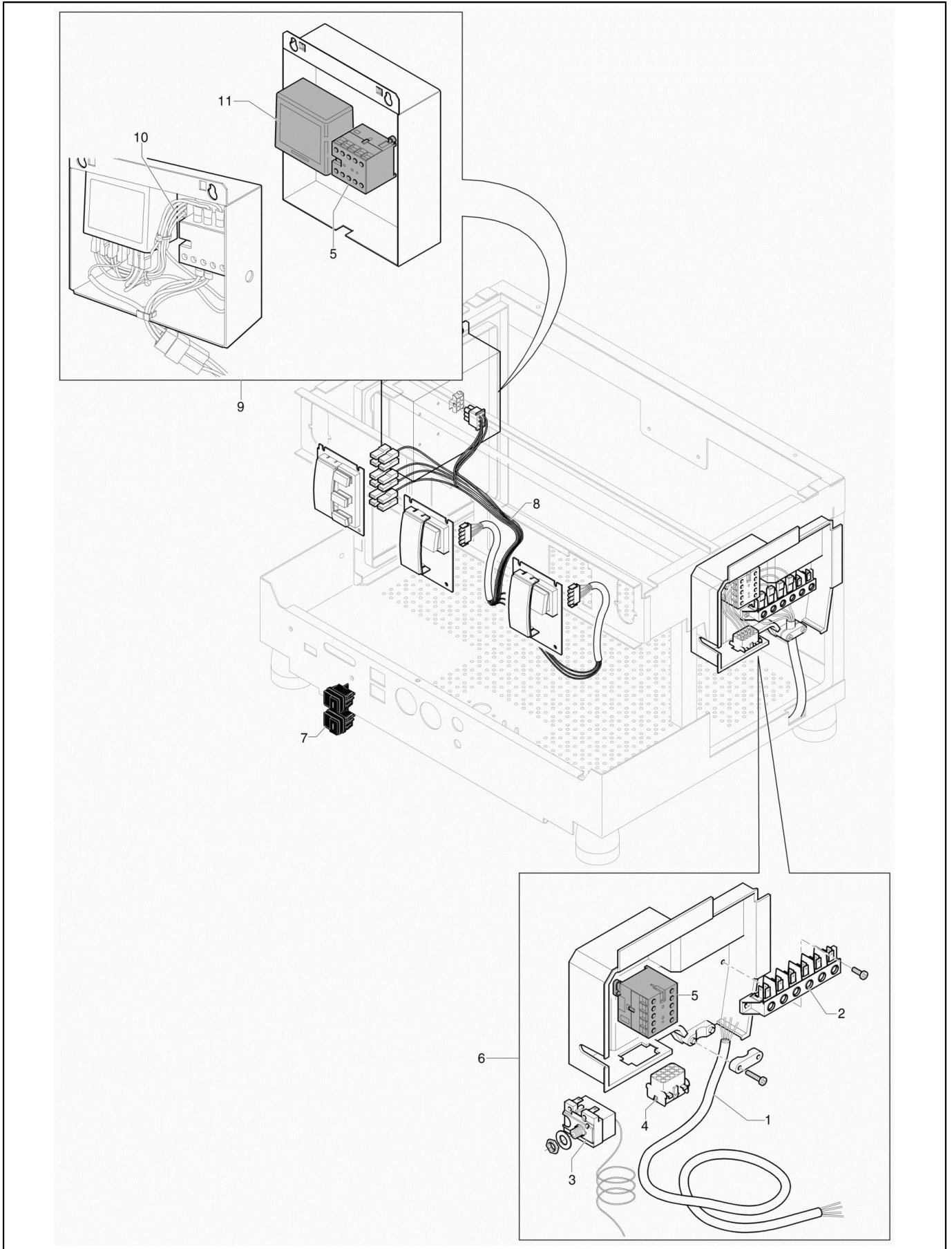
POS.	CODE	DESCRIPTION	NOTES
1	10706024	Steam Pipe + Joint MIn	CLASSE 10 / CLASSE 8
2	23000121	Sprayer Lg25 D1.1 4holes	
	25111006	Steam Nozzle	
3	36404022	O-RING 6,4 X 1,9 R5A	
4	10049057	Steam Pipe-Inox-	CLASSE 10 / CLASSE 8
5	36990004	Rubber For Steam Pipes	
7	36930017	Teflon Gasket For Steam Wand Nut	
8	36930016	Gasket Teflon Connection Steam Wand	
9	39110038	Spring Connection Steam Tap	
10	36220009	Gasket Nut Note Teflon	
11	10060134	Clever/15 Steam Tap Left	
12	10060181	Handle Clever	
13	10060135	Clever/15 Steam Tap Right	
16	10705180	Kit Av Valve Steam Tap	
27	10701239	Kit Clever/15 Cams Peek Right	
	10701240	Kit Clever/15 Cams Peek Left	
35	10701621	Steam Tap Body With Av. Valve/19	
39	10701239	Kit Clever/15 Cams Peek Right	
	10701240	Kit Clever/15 Cams Peek Left	



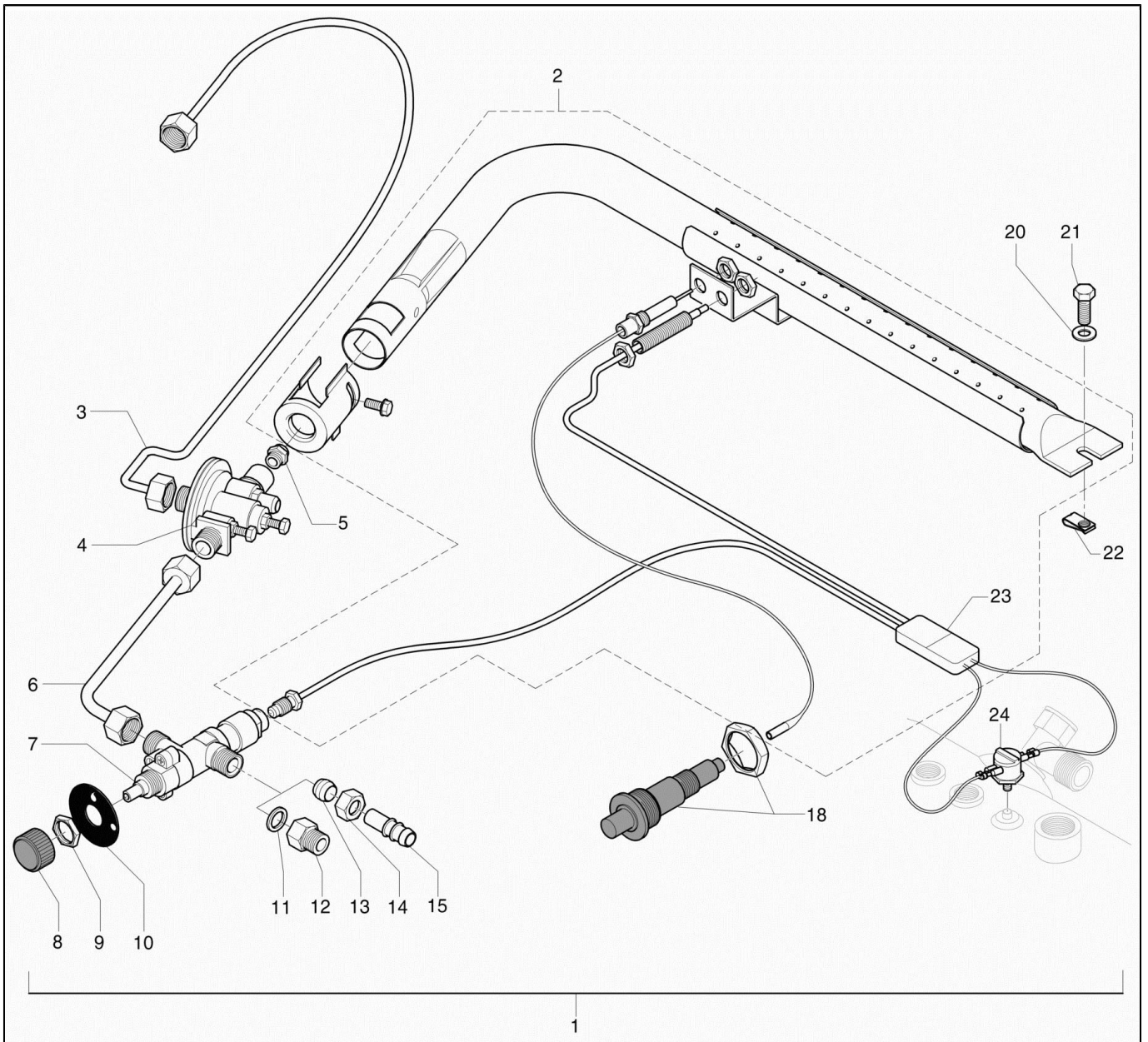
POS.	CODE	DESCRIPTION	NOTES
1	10044053	Circulation Pipe 10 X 8 F1/2-M1/2	
2	10044054	Circulation Pipe 10 X 8 F1/2-M1/2	
4	10044083	Pipe 10X8X190	
5	10042094	Pipe 6 X 4 X Mml = 350 Mm	
6	10046019	Collector Pipe	
	10046020	Pipe Collector 3 Gr.	
	10046021	Collector Pipe	
7	10043007	BOILER DISCHARGE PIPE COMPL.	
8	10044061	Pipe Level 10 X 8 F3/8-M3/8	
9	10044039	Upper Pipe Level Indicator 10X8 F3/8-M3/8	
10	10043031	Pipe 8X6X420 F3/8-Free	
11	10043028	Pipe 8 X 6 X Mml = 420 Mm F3/8-M3/8	
12	34200088	Level Probe Assembly	
13	10060051	Antivacuum Valve With Weight	
14	10043071	PIPE 8 X 6 X MML = 220 MM	
15	10043130	Pipe Economizer-Boiler Classe 11	4 GR
	10043134	Pipe Economizer-Boiler Classe 9 3Gr	3 GR
	10043149	Pipe Econom-Water Tap Green	2GR
16	38123947	Drain Tank Security Valve	
17	10060525	Safety Valve 1,9Bar 3/8	
18	23000359	Safety Valve Extension	
19	10043044	Pipe 8 X 6 X Mml = 320 Mm	
20	10042022	Tube 6X4X230	
21	10042051	Pipe 6X4X570	2GR
	10042052	Pipe 6X4X690 F1/4	3 GR
	10042053	Pipe 6X4X870	4 GR
22	10043151	Pipe 8 X 6 F3/8-M3/8 Steam Tap Right Classe 9 Tall	
23	10060517	Valve Inlet+ Check 220V 50Hz	
24	10705760	Economizer 230V/2016	
25	38228002	Silicone Hose D. 9X6X560	
26	36220009	Gasket Nut Note Teflon	
27	27350001	Gasket 3/8 X 1 Copper	
28	10042032	Injector Pipe 127	
29	10110633	WIRING AT CL 10/07 - S 2GR	
	10110634	Wiring At Cl 10/07 - S 3Gr	
31	10060415	Valve 220-240V With Junction	
32	10042022	Tube 6X4X230	
33	34200112	Pressure Switch Mecc.Parker	
14B	10043098	PIPE 8X6X90	



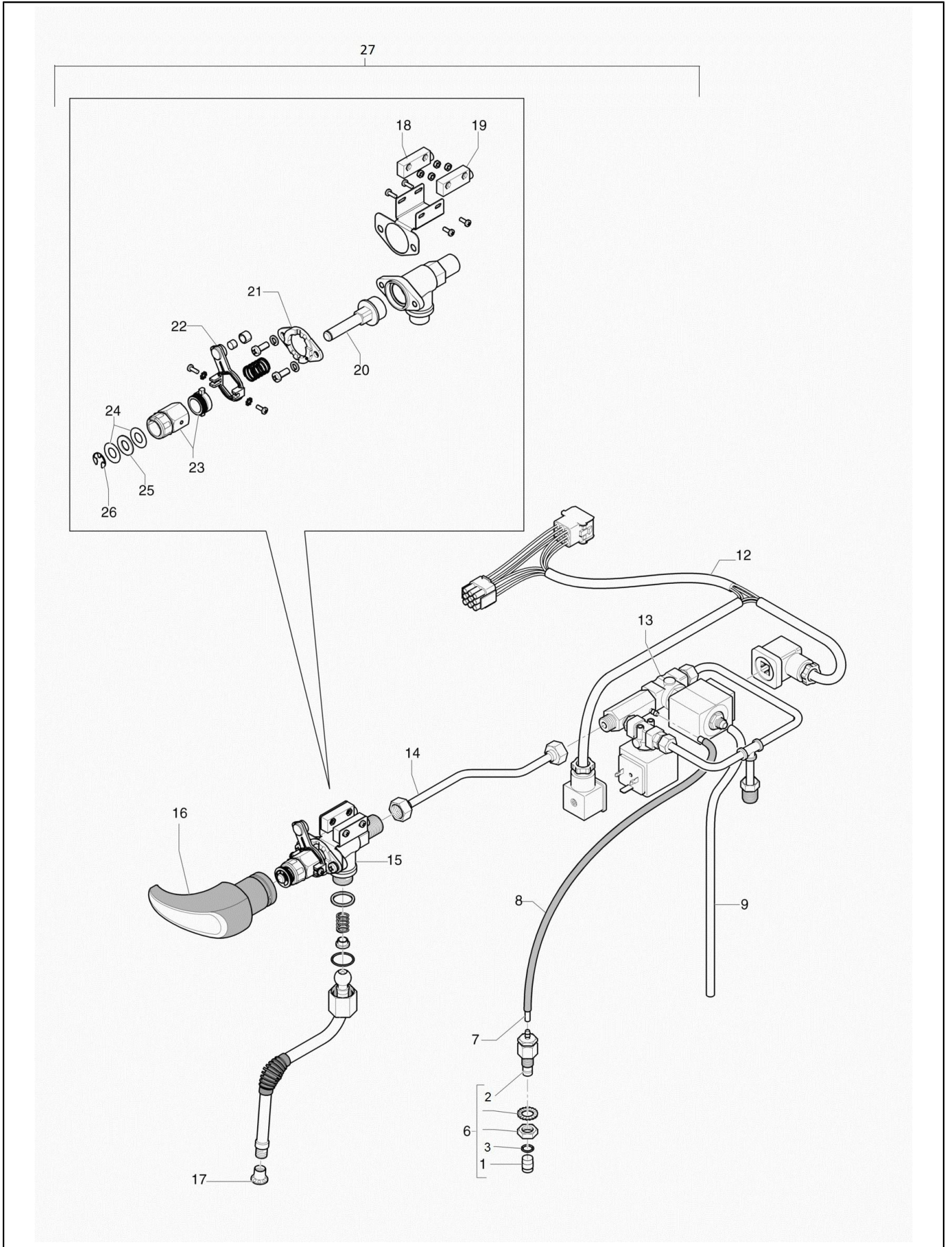
POS.	CODE	DESCRIPTION	NOTES
1	34020020	Capacitor 8 Mf Rpm	
2	10705960	Kit Pumping Element	
	69000993	Volumetric Pump Vm 200L/H "Rancilio"	
3	34011102	Vm Motor 230V	
4	13077071	Pump 230V 1/2Gr	



POS.	CODE	DESCRIPTION	NOTES
1	34300073	Cavo H07Rn-F 5C.Sez.2,5 L=2000	
	34300079	Cavo H07Rn-F 5C.Sez.4 L=2500	
2	34150026	Clamp 4 Position	
3	34200097	Save- Heating Element Ego Monof.	
4	10110655	Wiring Power	
5	34200332	Mini-Contactor 220-240V	
6	10110900	Electric Box 230V Mc/16	
7	34030971	Switch Green Light	
8	10110633	WIRING AT CL 10/07 - S 2GR	
	10110634	Wiring At Cl 10/07 - S 3Gr	
	10110764	AT WIRING CLASSE 10/RE 2GR H.M.	
	10110765	At Wiring Classe 10/Re 3-4Gr H.M.	
	10110766	At Wiring Classe 10 S 2Gr H.M.	
	10110767	AT WIRING CLASSE 10 S 3GR H.M.	
	10110768	At Wiring Classe 10 S 4Gr H.M.	
9	10110944	SCATOLA ELETTRICA S-RE/16 230V	
10	10110653	WIRING TRANSDUCTOR RALS S	
11	34070029	Transductor Rals 220/240V	



POS.	CODE	DESCRIPTION	NOTES
1	10705096	Kit Gas Plant 2Gr.	
	10705097	Kit Gas Plant 3-4Gr.	
2	30300075	Gr.Gas Burner 2Gr.	
	30300076	Gr.Gas Burner 3-4Gr	
3	10041039	Pipe 4X3X430	
4	10060815	GAS REGULATOR	
5	23210031	Gas Jet Diam.0,90	
	23210032	Gas Jet Diam.1,02	
	23210033	Gas Jet Diam.1,35	
	23210037	Gas Jet Diam. 0,75	
6	10042101	Pipe 6X4X300	
	10042160	Pipe 6X4X130 F1/4-F1/4	
7	69000251	Gas Cock	
8	38123567	Gas Tap	
9	69000019	Nut X Cock Gas	
10	42300003	Plate Gas	
11	36240008	Gasket 11,5 X 8 Sp.1.5 Copper	
12	23222039	Reducer 1/2M-1/4F	
13	69000117	Junction Element Pipe D.8	
14	69000116	Nut	
15	23115007	Gas Rubber Holder	
18	69000468	Lighter Piezo+Holder/19	
20	37410600	Plane Washer Diam. 6	
21	37040615	Screw M 6 X 16	
22	37900822	Plate Uc/M6/15/12	
23	69000469	Thermocouple Gas Burner/2019	
24	34200053	Thermostat 165¤	



POS.	CODE	DESCRIPTION	NOTES
1	23000092	Flow Limiter 0,25 Isteam/Yousteam	
	23000093	Flow Limiter 0,35 Isteam/Yousteam	
2	36230017	Duckbill Valve	
3	36404013	O-Ring Silicone 2031	
6	10701437	Air Inlet Valve Isteam/17	
7	38228016	Silicon Pipe D5X3	
8	34209124	Sheath Plaited Poliester UI94	
9	38228002	Silicone Hose D. 9X6X560	
12	10110659	WIRING YOUSTEAM MC/S	
13	10705577	Ev Venturi System	
	10705578	Assy Ev Venturi 110V Yousteam	
14	10043067	Pipe 8X6X210 F3/8-F3/8 2-3-4Gr.	
15	10060108	Steam Tap+Reed Yousteam	
16	10060187	Steam Tap Yousteam	
17	23000098V	Isteam Sprayer	
18	34020121	Magnetic Sensor Yousteam	
19	34020119	Magnetic Sensor	
20	23000155	Steam Tap Bar Yousteam	
21	20112604	Camme Tap Yousteam	
23	10060007	Assembled Steam Tap Bush	
24	32239044	New Steam Cock Washer	
25	36230001	Teflon Washer	
26	37510700	Snap Ring D. 7	
27	10705138	RETROFIT KIT YOUSTEAM S 220V	
	10705139	RETROFIT KIT YOUSTEAM S 110V	

Code	No. table	Pos.
10041039	4000	3
10041053	2010	19
10042022	2006	20
10042022	2006	32
10042027	2012	8
10042032	2006	28
10042051	2006	21
10042052	2006	21
10042053	2006	21
10042062	2012	8
10042069	2012	8
10042094	2006	5
10042101	4000	6
10042152	2012	3
10042160	4000	6
10043007	2006	7
10043028	2006	11
10043031	2006	10
10043044	2006	19
10043067	4002	14
10043071	2006	14
10043098	2006	14B
10043130	2006	15
10043134	2006	15
10043149	2006	15
10043151	2006	22
10044039	2006	9
10044053	2006	1
10044054	2006	2
10044061	2006	8
10044083	2006	4
10046019	2006	6
10046020	2006	6
10046021	2006	6
10046060	2012	10
10046081	2012	10
10046082	2012	10
10049014	2002	1
10049057	2003	4
10060007	4002	23
10060051	2006	13
10060108	4002	15
10060134	2003	11
10060135	2003	13
10060181	2003	12
10060187	4002	16
10060290	2010	1
10060382	2009	1
10060415	2006	31
10060448	2010	7
10060460	2010	13
10060517	2006	23
10060525	2006	17
10060612	1003	30
10060815	4000	4
10060961	2010	11
10110633	2006	29
10110633	3002	8
10110634	2006	29
10110634	3002	8
10110653	3002	10
10110655	3002	4
10110659	4002	12
10110764	3002	8
10110765	3002	8
10110766	3002	8
10110767	3002	8

Code	No. table	Pos.
10110768	3002	8
10110900	3002	6
10110944	3002	9
10700276	1000	1
10700277	1000	1
10700278	1000	1
10700300	2012	1
10700323	2012	1
10701239	2003	27
10701239	2003	39
10701240	2003	27
10701240	2003	39
10701245	2012	1
10701246	2012	1
10701376	2010	23
10701377	2010	23
10701378	2010	23
10701437	4002	6
10701621	2003	35
10705008	1003	52
10705096	4000	1
10705097	4000	1
10705138	4002	27
10705139	4002	27
10705180	2003	16
10705364	1003	49
10705374	1000	3
10705375	1000	3
10705376	1000	3
10705406	1003	14
10705476	1000	11
10705477	1000	12
10705577	4002	13
10705578	4002	13
10705760	2006	24
10705760	2010	37
10705960	3001	2
10705974	1003	10
10706024	2003	1
10706067	2010	16
13077071	3001	4
20112604	4002	21
20121104	2009	4
20122631	1003	35
20122642	1003	38
20200113	2002	5
21300765B	1000	19
21300766B	1000	18
23000059	1003	19
23000092	4002	1
23000093	4002	1
23000098V	4002	17
23000121	2003	2
23000127	1003	1
23000155	4002	20
23000227	1003	13
23000259	1003	12
23000261	1003	3
23000275	1003	8
23000359	2006	18
23000413	2002	8
23115007	4000	15
23119016	1003	25
23127012	1003	23
23135006	1003	33
23139001	1003	17
23208015	2010	6

Code	No. table	Pos.
23210031	4000	5
23210032	4000	5
23210033	4000	5
23210037	4000	5
23220003	1003	2
23220012	1003	21
23222002	2010	26
23222035	2009	7
23222039	4000	12
23227009	1003	24
24902037	1003	48
24902038	1003	48
24902039	1003	48
24902044	1000	6
24902045	1000	6
24902046	1000	6
25111006	2003	2
25118002	1003	20
25118004	1003	32
25124011	1003	43
25124013	1003	15
25139001	1003	28
26128010	1003	42
26208002	1003	46
26220005	2002	7
26220005	2009	2
27350001	2006	27
27350001	2010	15
27400001	1003	4
27400001	2010	3
28400011	1003	26
30300075	4000	2
30300076	4000	2
31312012B	1000	7
31312013B	1000	7
31312014B	1000	7
32239044	4002	24
32330979	1000	4
32330980	1000	4
32330981	1000	4
32330990	1000	8
32330991	1000	9
32330992	1000	10
32559078	1003	36
32559079	1003	37
32599001	1003	45
33323004	2010	21
33323006	2010	21
34011102	3001	3
34020020	3001	1
34020119	4002	19
34020121	4002	18
34030110	2009	9
34030116	2009	10
34030971	3002	7
34040027	2010	31
34040108	2010	31
34049016	2010	37
34049017	2010	37
34070029	3002	11
34150026	3002	2
34200053	4000	24
34200088	2006	12
34200097	3002	3
34200112	2006	33
34200332	3002	5
34209124	4002	8

Code	No. table	Pos.
34300073	3002	1
34300079	3002	1
35002508	2010	17
35002509	2010	18
36101002	2010	2
36220009	2002	4
36220009	2003	10
36220009	2006	26
36230001	4002	25
36230006	1003	5
36230017	4002	2
36240003	1003	18
36240008	4000	11
36301046	1003	29
36302001	2010	14
36302002	1003	11
36302002	2010	4
36401003	2010	32
36402003	1003	6
36402003	2009	5
36404006	2010	10
36404013	4002	3
36404022	2003	3
36404052	2012	10
36404052	2012	3
36404052	2012	7
36404052	2012	8
36901599	1003	31
36930012	2010	22
36930016	2002	2
36930016	2003	8
36930017	2003	7
36990004	2003	5
37040615	4000	21
37060515	1003	51
37154212	1003	53
37175012	1000	23
37410600	4000	20
37430600	2009	3
37431600	2002	6
37510700	4002	26
37900110	2010	5
37900822	4000	22
38123513	2010	28
38123567	4000	8
38123568	1000	16
38123665	2010	20
38123667	1000	14
38123668	1000	13
38123673	1000	20
38123674	1000	15
38123852	1000	17
38123868	1003	47
38123921	1000	2
38123947	2006	16
38221004	1000	22
38221005	1000	21
38228002	2006	25
38228002	4002	9
38228016	4002	7
38228066	2009	6
39110010	1003	22
39110030	1003	7
39110038	2002	3
39110038	2003	9
39110071	1003	16
39110072	1003	9

Code	No. table	Pos.
39220025	1003	44
39220030	1003	40
40100500	2010	9
40200005	1003	27
42200122	1003	50
42200123	1000	5
42300003	4000	10
69000019	4000	9
69000116	4000	14
69000117	4000	13
69000244	2010	36
69000251	4000	7
69000468	4000	18
69000469	4000	23
69000723	2010	24
69000724	2010	24
69000725	2010	24
69000730	2012	7
69000731	2012	7
69000734	2010	12
69000735	2010	12
69000738	2012	7
69000993	3001	2
69140006	2012	2
69140008	2012	5
69140009	2012	9
69140010	2012	9
69140011	2012	9
69140012	2012	6
69140014	2012	11
69140015	2012	11
69140016	2012	4
69140018	2012	4
69140019	2012	9
69140047	2012	4
69140048	2012	4



Headquarters, Production Plant and R&D Centers

Rancilio Group s.p.a.

Viale della Repubblica 40
20010 Villastanza di Parabiago
Milano - Italy
Tel +39 0331 408200
Fax +39 0331 551437
www.ranciliogroup.com
info@ranciliogroup.com

Egro Suisse AG

Bahnhofstrasse 66
5605 Dottikon, Switzerland
Tel. +41 (0)56 616 95 95
Fax +41 (0)56 616 95 97
www.egrocoffee.com
info@egrocoffee.com

Worldwide Branch Locations

SPAIN

RancilioGroup Espana, s.a.
Gran Via de Carlos III, 84 3ª
Edificio Trade
08028 Barcelona - Spain
Tel. +34 902 884 275
Tel. +34 934 923 414
Fax +34 934 965 701
www.ranciliogroup.com
info-es@ranciliogroup.com

PORTUGAL

Rancilio Group Portugal Lda
Estrada da Falagueira nº 68 E
2700-365 Amadora-Lisboa - Portugal
Tel. +351 21 019 10 91
Fax +351 21 019 10 91

Rua Nova do Seixo 1282
4465-706 Leça do Balio-Porto - Portugal
Tel. +351 22 010 14 19
Fax +351 22 010 14 19
www.ranciliogroup.com
info-pt@ranciliogroup.com

GERMANY

Rancilio Group Deutschland GmbH
Talstrasse 27
97990 Weikersheim - Germany
Ph. +49 7934 99 29 30
Fax +49 7934 99 29 330
www.ranciliogroup.de
info-de@ranciliogroup.com

SWITZERLAND

Egro Suisse AG
Bahnhofstrasse 66
5605 Dottikon - Switzerland
Tel. +41 (0)56 616 95 95
Fax +41 (0)56 616 95 97
www.egrosuisse.ch
info@egrosuisse.ch

USA/CANADA

Rancilio Group North America Inc.
1340 Internationale Parkway / Suite 200
Woodridge, IL 60517 - U.S.A.
Ph: +1 630 914 7900
Fax: +1 630 914 7901
Toll Free: +1 877 726 2454
www.ranciliogroup.com
info@ranciliogroupna.com

