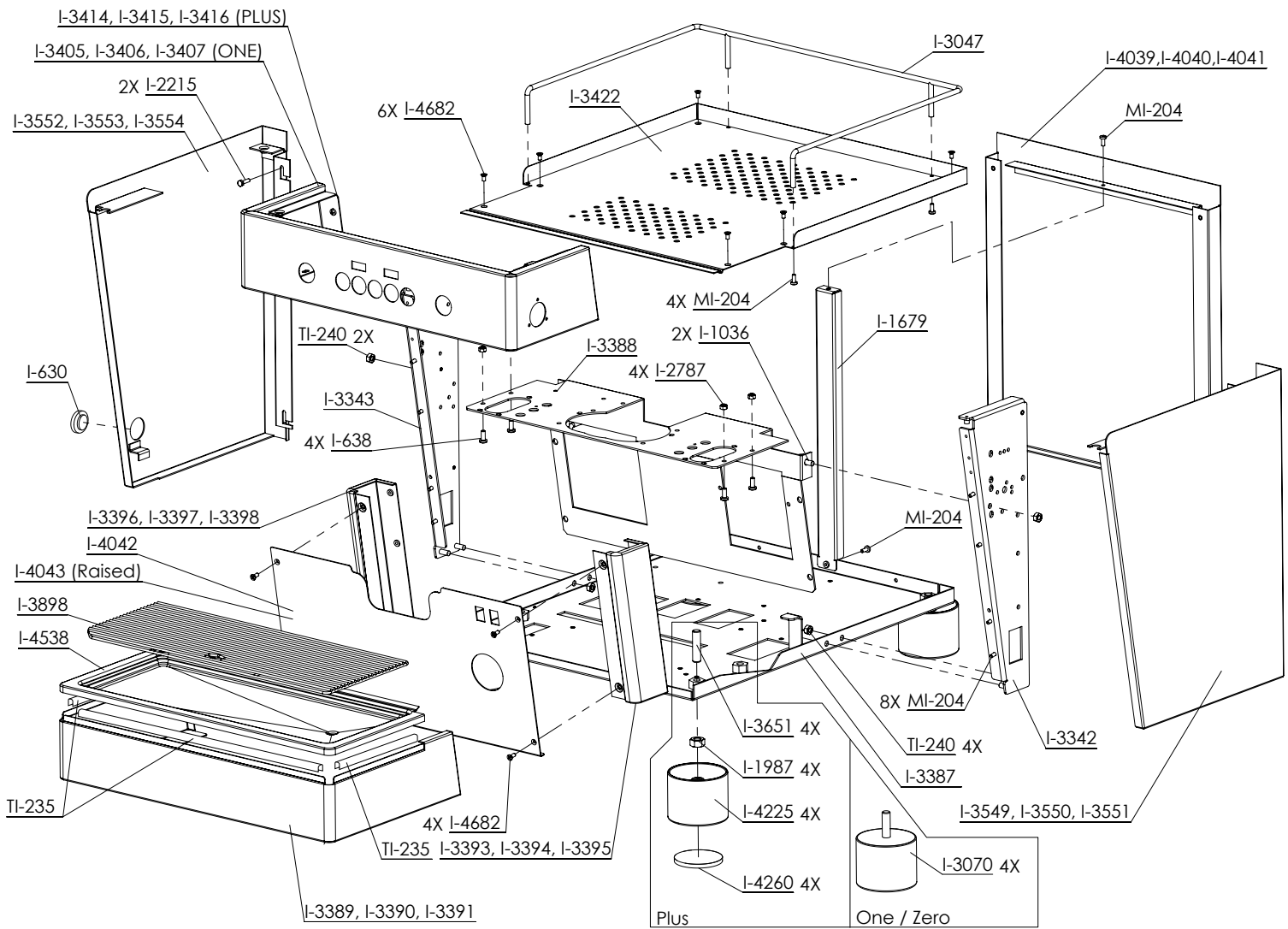
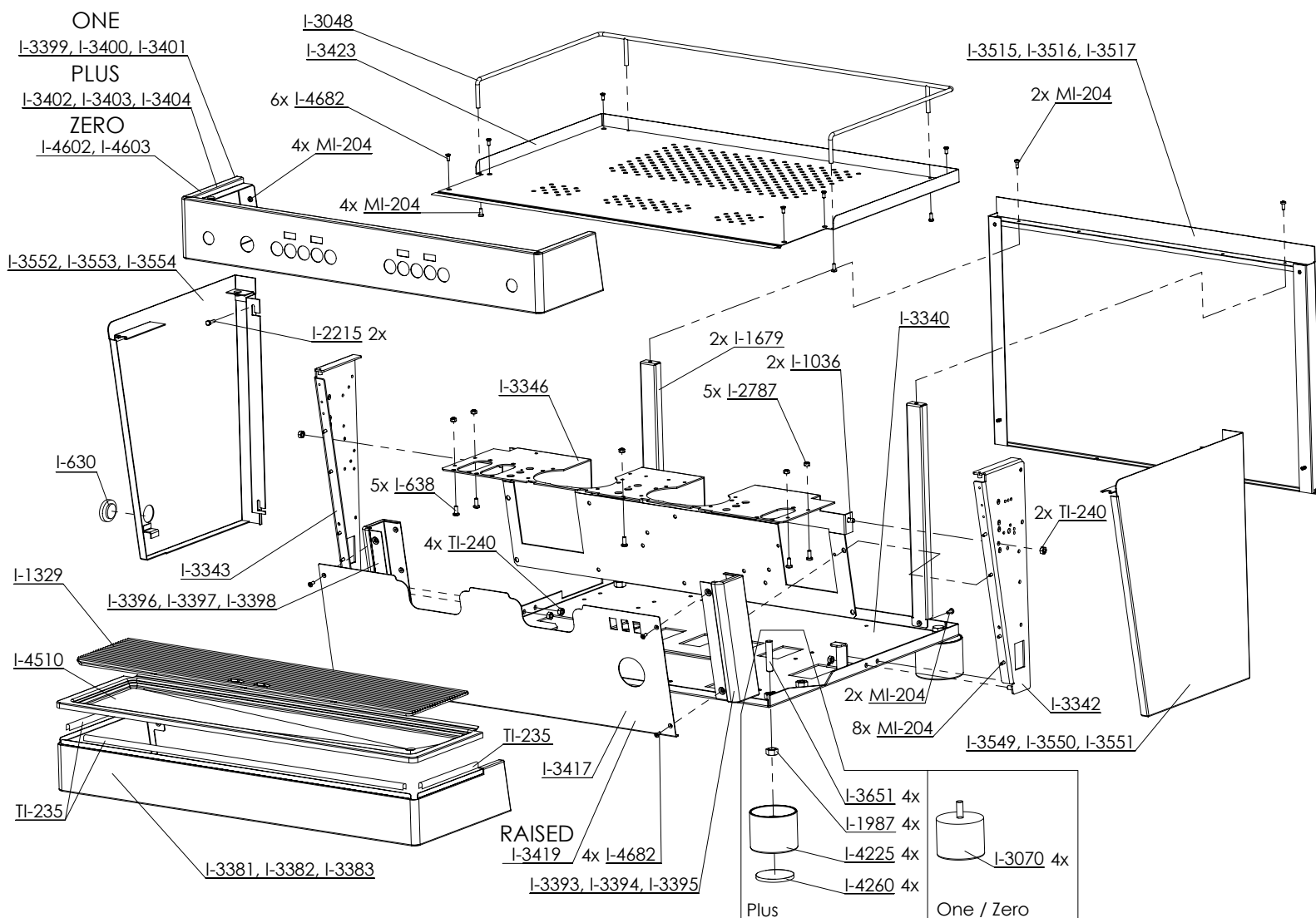




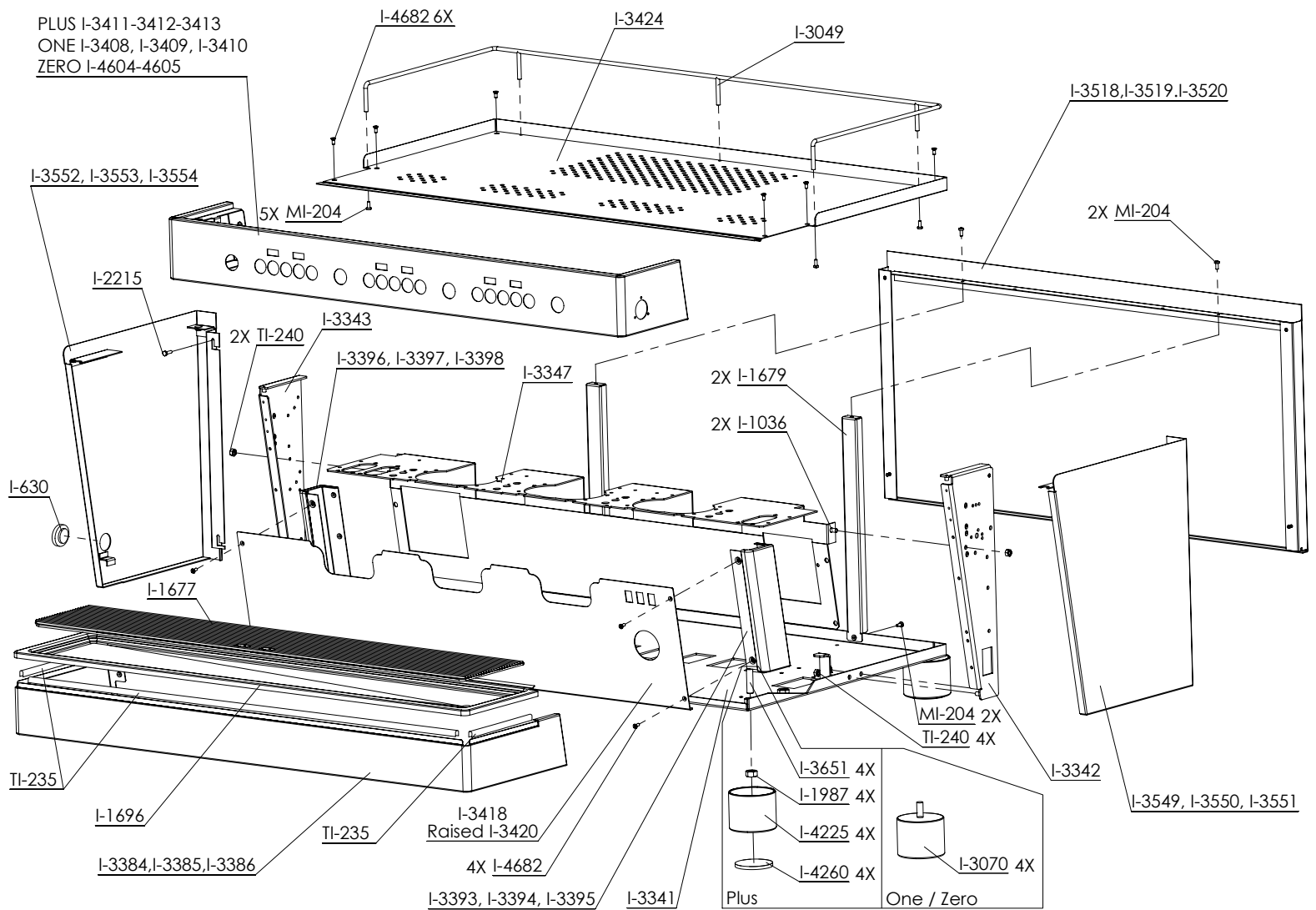
# Barista T 2020



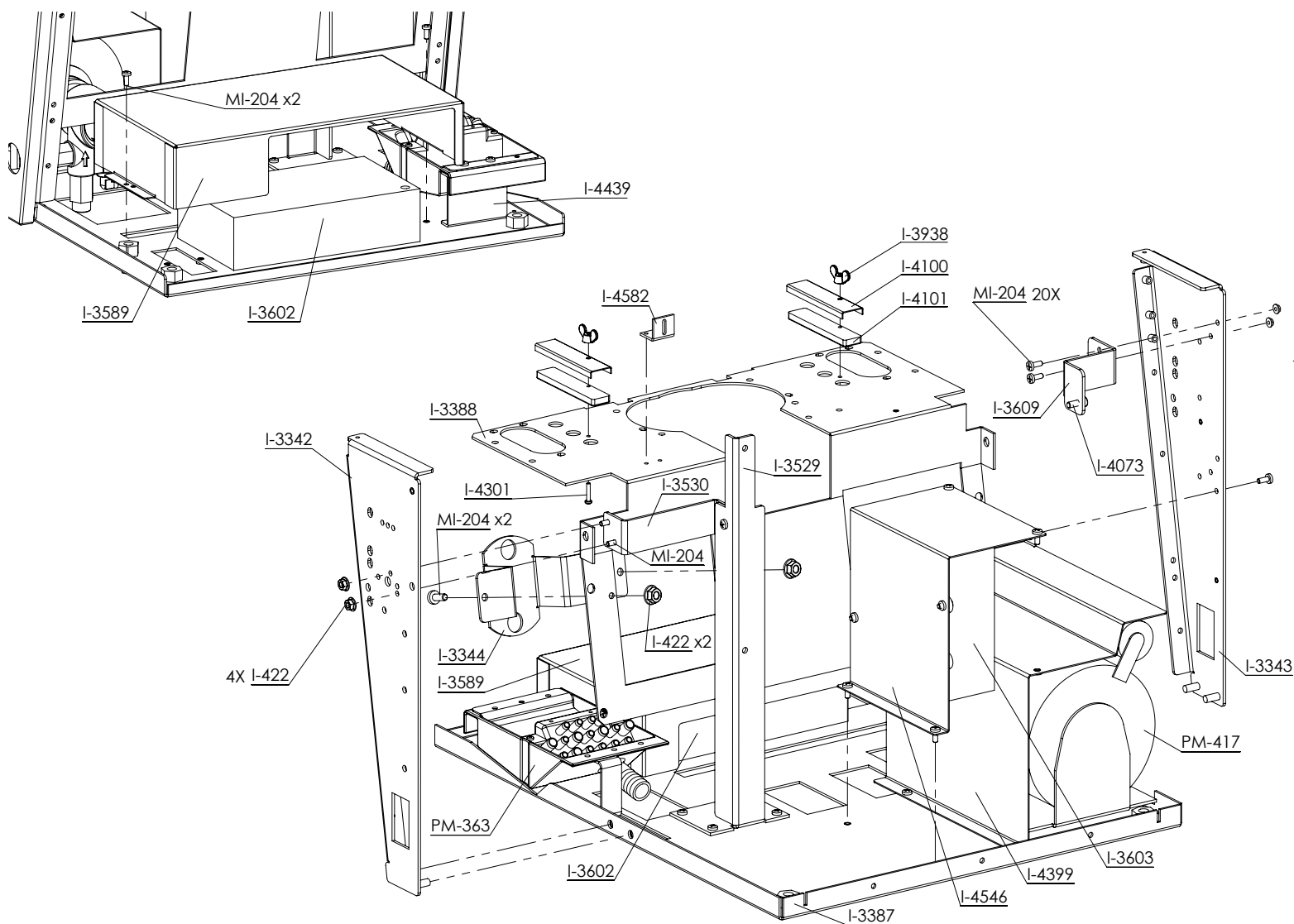
REF.	DESCRIPCIÓN	DESCRIPTION
I..630	TAPON PLASTICO DIAM.28	PLASTIC CAP 28MM
I..638	TORNILLO M5X12 INOX	SCREW M5X12 INOX
I.1036	TORNILLO M6X12 INOX	SCREW M6X12 INOX
I.1679	COLUMNA BASE	COLUMN BASE
I.1987	TUERCA SUJ. CAZOLETA M10 INOX	NUT M10 INOX
I.2215	TORNILLO DIN933 M4X15	SCREW DIN933 M4X15
I.2787	TUERCA AUTOBLOCANTE DIN 985 A2 M5 INOX	NUT DIN 985 M5
I.3047	BARANDILLA 1GR	RAILING BARISTA 1GR
I.3070	PIE INOX D60	INOX FOOT D60
I.3342	MONTANTE DERECHO BARISTA T	RIGHT SUPPORT BARISTA T
I.3343	MONTANTE IZQUIERDO BARISTA T	LEFT SUPPORT BARISTA T
I.3387	BASE BARISTA T 1GR	BASE BARISTA T 1GR
I.3388	BASE MECANISMOS BARISTA T 1GR	BASE BARIST T 1GR
I.3389	MARCO BASE BARISTA T 1GR NEGRA	BASE FRAME BARISTA T 1GR BLACK
I.3390	MARCO BASE BARISTA T 1GR BLANCA	BASE FRAME BARISTA T 1GR WHITE
I.3391	MARCO BASE BARISTA T 1GR BRILLO	BASE FRAME BARISTA T 1GR SHINE
I.3393	EMBELLECEDOR DERECHO BARISTA T NEGRA	RIGHT TRIM BARISTA T BLACK
I.3394	EMBELLECEDOR DERECHO BARISTA T BLANCA	RIGHT TRIM BARISTA T WHITE
I.3395	EMBELLECEDOR DERECHO BARISTA T BRILLO	RIGHT TRIM BARISTA T SHINE
I.3396	EMBELLECEDOR IZQUIERDO BARISTA T NEGRA	LEFT TRIM BARISTA T BLACK
I.3397	EMBELLECEDOR IZQUIERDO BARISTA T BLANCA	LEFT TRIM BARISTA T WHITE
I.3398	EMBELLECEDOR IZQUIERDO BARISTA T SHINE	LEFT TRIM BARISTA T SHINE
I.3405	CARATULA BARISTA T ONE 1GR NEGRA	FRONTAL BARISTA T 1GR BLACK
I.3406	CARATULA BARISTA T ONE 1GR BLANCA	FRONTAL BARISTA T 1GR WHITE
I.3407	CARATULA BARISTA T ONE 1GR BRILLO	FRONTAL BARISTA T 1GR SHINE
I.3414	CARATULA BARISTA T PLUS 1GR NEGRA	FRONTAL BARISTA T PLUS 1GR BLACK
I.3415	CARATULA BARISTA T PLUS 1GR BLANCA	FRONTAL BARISTA T PLUS 1GR WHITE
I.3416	CARATULA BARISTA T PLUS 1GR BRILLO	FRONTAL BARISTA T PLUS 1GR SHINE
I.3422	TAPA SUPERIOR BARISTA T 1GR	UPPER LIP BARISTA T 1GR
I.3549	TAPA LATERAL DERECHA BARISTA T NEGRA	RIGHT SIDE COVERCLE BARISTA T BLACK
I.3550	TAPA LATERAL DERECHA BARISTA T BLANCA	RIGHT SIDE COVERCLE BARISTA T WHITE
I.3551	TAPA LATERAL DERECHA BARISTA T BRILLO	RIGHT SIDE COVERCLE BARISTA T SHINE
I.3552	TAPA LATERAL IZQUIERDA BARISTA T NEGRA	LEFT SIDE COVERCLE BARISTA T BLACK
I.3553	TAPA LATERAL IZQUIERDA BARISTA T BLANCA	LEFT SIDE COVERCLE BARISTA T WHITE
I.3554	TAPA LATERAL IZQUIERDA BARISTA T BRILLO	LEFT SIDE COVERCLE BARISTA T SHINE
I.3651	ESPARRAGO DIN 913 M10X40 INOX.	SCREW DIN 913 M10X40 INOX.
I.3898	REJILLA BAR / BARISTA 1GR 2016	GRILL BAR/BARISTA 1GR 2016
I.4039	TAPA TRASERA BARISTA T 1GR NEGRA	REAR LID BARISTA T 1GR BLACK
I.4040	TAPA TRASERA BARISTA T 1GR BLANCA	REAR LID BARISTA T 1GR BLANCA
I.4041	TAPA TRASERA BARISTA T 1GR SHINE	REAR LID BARISTA T 1GR SHINE
I.4042	FRONTAL INTERMEDIO BARISTA T 1GR	INTERMEDIATE FRONT BARISTA T 1GR
I.4043	FRONTAL INTERMEDIO BARISTA T 1GR RAISED	INTERMEDIATE FRONT BARISTA T 1GR RAISED
I.4225	PATA BIG DREAM 75X60	LEG BIG DREAM 75X60
I.4260	BASE GOMA PIE BIG DREAM	RUBBER FOOT BASE BD
I.4538	BANDEJA DESAGÜE BAR/BARISTA 1 GR	TRAY BAR/BARISTA 1 GR
I.4682	TORNILLO M4X12 DIN 921 INOX A2	SCREW M4X12 DIN 921 INOX A2
MI.204	TORNILLO DIN 7985 M4X10	SCREW DIN 7985 M4X10
TI.235	PERFIL PROTECTOR BANDEJA BAR/BARISTA	GASKET
TI.240	TUERCA M6 INOX A.4	M6 NUT



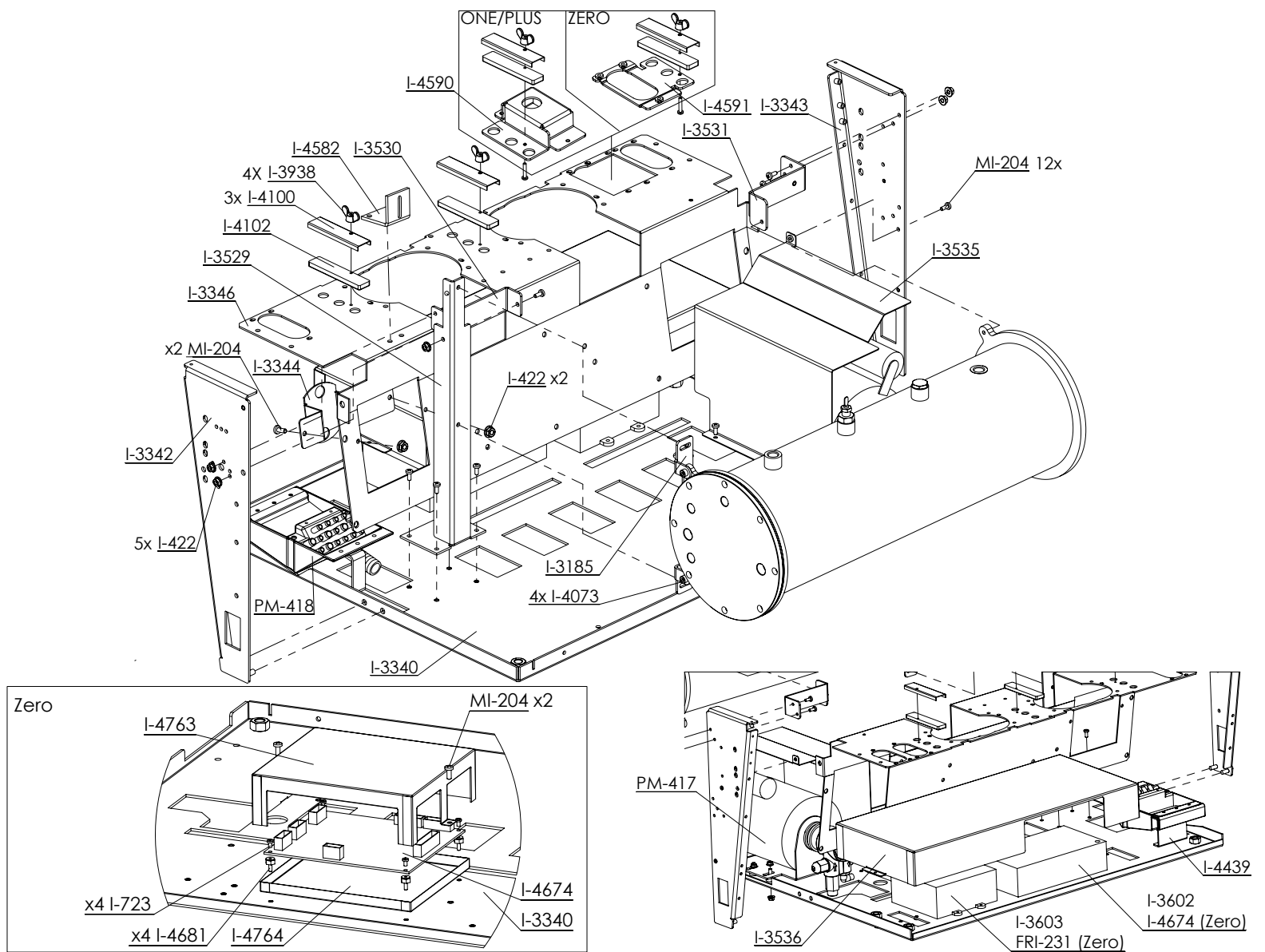
REF.	DESCRIPCIÓN	DESCRIPTION
I..630	TAPON PLASTICO DIAM.28	PLASTIC CAP 28MM
I..638	TORNILLO M5X12 INOX	SCREW M5X12 INOX
I.1036	TORNILLO M6X12 INOX	SCREW M6X12 INOX
I.1329	REJILLA BAR 2 GR	GRILL BAR 2 GR
I.1679	COLUMNA BASE	COLUMN BASE
I.1987	TUERCA SUJ. CAZOLETA M10 INOX	NUT M10 INOX
I.2215	TORNILLO DIN933 M4X15	SCREW DIN933 M4X15
I.2787	TUERCA AUTOBLOCANTE DIN 985 A2 M5 INOX	NUT DIN 985 M5
I.3048	BARANDILLA BAR 3 GR / BARISTA 2 GR	RAILING BAR 3 GR / BARISTA 2 GR
I.3070	PIE INOX D60	INOX FOOT D60
I.3340	BASE BARISTA T 2GR	BASE BARISTA T 2GR
I.3342	MONTANTE DERECHO BATISTA T	RIGHT SUPPORT BARISTA T
I.3343	MONTANTE IZQUIERDO BARISTA T	LEFT SUPPORT BARISTA T
I.3346	BASE MECANISMOS BARISTA T 2GR	MECHANISM BASE BARISTA T 2GR
I.3381	MARCO BASE BARTISTA T 2GR NEGRA	BASE FRAME BARISTA T 2GR BLACK
I.3382	MARCO BASE BARTISTA T 2GR BLANCA	BASE FRAME BARISTA T 2GR WHITE
I.3383	MARCO BASE BARTISTA T 2GR BRILLO	BASE FRAME BARISTA T 2GR SHINE
I.3393	EMBELLECEDOR DERECHO BARISTA T NEGRA	RIGHT TRIM BARISTA T BLACK
I.3394	EMBELLECEDOR DERECHO BARISTA T BLANCA	RIGHT TRIM BARISTA T WHITE
I.3395	EMBELLECEDOR DERECHO BARISTA T BRILLO	RIGHT TRIM BARISTA T SHINE
I.3396	EMBELLECEDOR IZQUIERDO BARISTA T NEGRA	LEFT TRIM BARISTA T BLACK
I.3397	EMBELLECEDOR IZQUIERDO BARISTA T BLANCA	LEFT TRIM BARISTA T WHITE
I.3398	EMBELLECEDOR IZQUIERDO BARISTA T BRILLO	LEFT TRIM BARISTA T SHINE
I.3399	CARATULA BOTONERA BARISTA T ONE 2GR NEGRA	FRONTAL BARISTA T ONE 2GR BLACK
I.3400	CARATULA BOTONERA BARISTA T ONE 2GR BLANCA	FRONTAL BARISTA T ONE 2GR WHITE
I.3401	CARATULA BOTONERA BARISTA T ONE 2GR BRILLO	FRONTAL BARISTA T ONE 2GR SHINE
I.3402	CARATULA BARISTA T PLUS 2GR NEGRA	FRONTAL BARISTA T PLUS 2GR BLACK
I.3403	CARATULA BARISTA T PLUS 2GR BLANCA	FRONTAL BARISTA T PLUS 2GR WHITE
I.3404	CARATULA BARISTA T PLUS 2GR BRILLO	FRONTAL BARISTA T PLUS 2GR SHINE
I.3417	FRONTAL INTERMEDIO BARISTA T 2GR	INTERMEDIATE FRONT BARISTA T 2GR
I.3419	FRONTAL INTERMEDIO BARISTA T 2GR RAISED	INTERMEDIATE FRONT BARISTA T 2GR RAISED
I.3423	TAPA SUPERIOR BARISTA T 2GR	UPPER LID BARISTA T 2GR
I.3515	TAPA TRASERA BARISTA T 2GR NEGRA	BACK LID BARISTA T 2GR BLACK
I.3516	TAPA TRASERA BARISTA T 2GR BLANCA	BACK LID BARISTA T 2GR WHITE
I.3517	TAPA TRASERA BARISTA T 2GR BRILLO	BACK LID BARISTA T 2GR SHINE
I.3549	TAPA LATERAL DERECHA BARISTA T NEGRE	RIGHT SIDE COVERCLE BARISTA T BLACK
I.3550	TAPA LATERAL DERECHA BARISTA T BLANCO	RIGHT SIDE COVERCLE BARISTA T WHITE
I.3551	TAPA LATERAL DERECHA BARISTA T BRILLO	RIGHT SIDE COVERCLE BARISTA T SHINE
I.3552	TAPA LATERAL IZQUIERDA BARISTA T NEGRA	LEFT SIDE COVERCLE BARISTA T BLACK
I.3553	TAPA LATERAL IZQUIERDA BARISTA T BLANCA	LEFT SIDE COVERCLE BARISTA T WHITE
I.3554	TAPA LATERAL IZQUIERDA BARISTA T BRILLO	LEFT SIDE COVERCLE BARISTA T SHINE
I.3651	ESPARRAGO DIN913 M10x40 INOX A2	SOCKET SET SCREW DIN913 M10x40 INOX A2
I.4225	PATA BIG DREAM 75X60	LEG BIG DREAM 75X60
I.4260	BASE GOMA PIE BIG DREAM	RUBBER FOOT BASE BD
I.4510	BANDEJA BARISTA INOX 2GR PULIDA	DRAIN TRAY BARISTA INOX 2GR POLISHED
I.4602	CARATULA BARISTA T ZERO 2GR NEGRA	FRONTAL BARISTA T ZERO 2GR BLACK
I.4603	CARATULA BARISTA T ZERO 2GR BLANCA	FRONTAL BARISTA T ZERO 2GR WHITE
I.4682	TORNILLO M4X12 DIN 921 INOX A2	SCREW M4X12 DIN 921 INOX A2
MI.204	TORNILLO DIN 7985 M4X10	SCREW DIN 7985 M4X10
TI.235	PERFIL PROTECTOR BANDEJA BAR/BARISTA	GASKET
TI.240	TUERCA M6 INOX A.4	M6 NUT



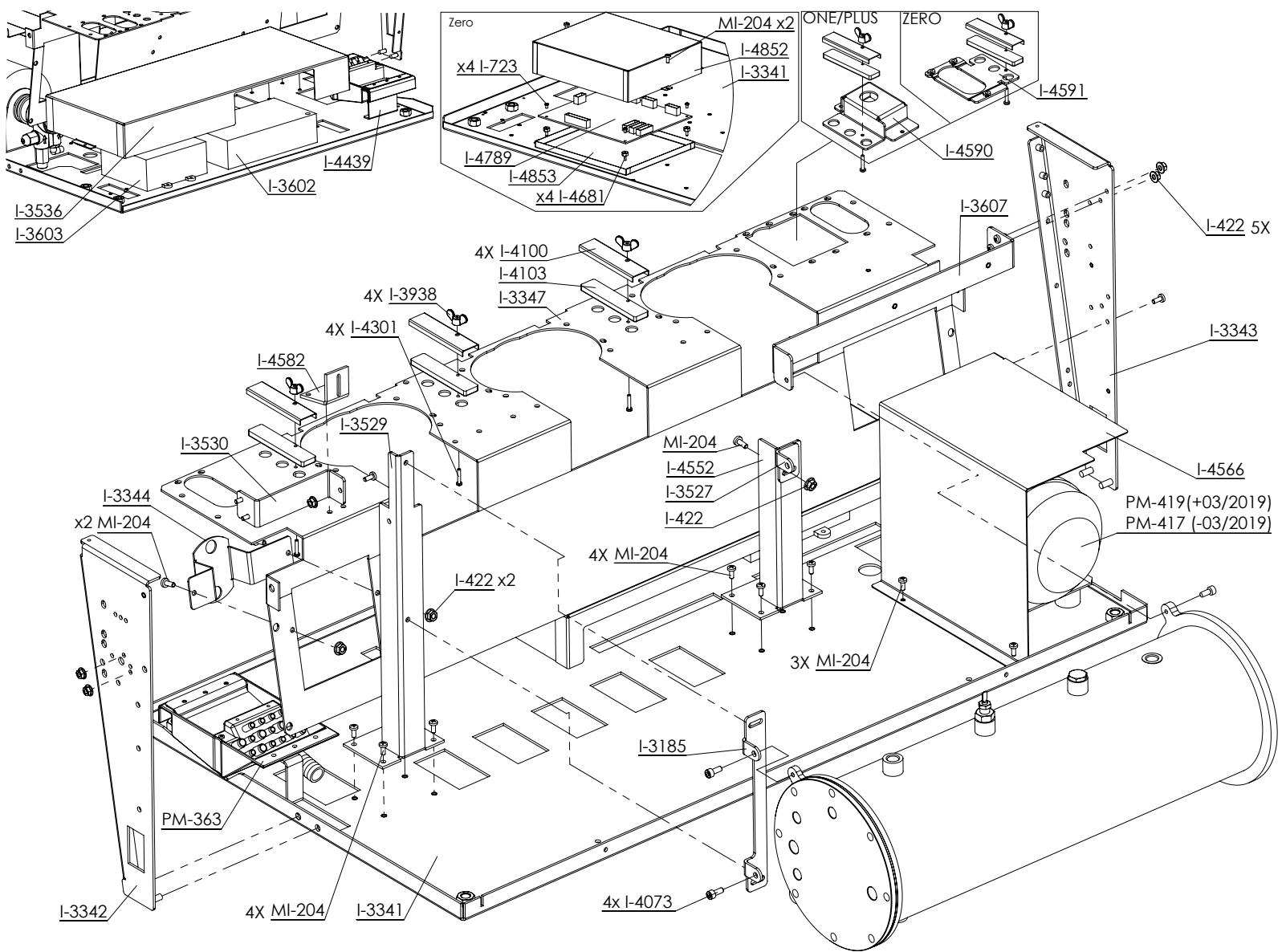
REF.	DESCRIPCIÓN	DESCRIPTION
I..630	TAPON PLASTICO DIAM.28	PLASTIC CAP 28MM
I.1036	TORNILLO M6X12 INOX	SCREW M6X12 INOX
I.1677	REJILLA BARISTA 3 GR	GRILL BARISTA 3 GR
I.1679	COLUMNA BASE	COLUMN BASE
I.1696	BANDEJA BARISTA INOX 3GR	INOX 3GR BARISTA TRAY
I.1987	TUERCA SUJ. CAZOLETA M10 INOX	NUT M10 INOX
I.2215	TORNILLO DIN933 M4X15	SCREW DIN933 M4X15
I.3049	BARANDILLA BARISTA 3GR	RAILING BARISTA 3GR
I.3070	PIE INOX D60	INOX FOOT D60
I.3341	BASE BARISTA T 3GR	BASE BARISTA T 3GR
I.3342	MONTANTE DERECHO BARISTA T	RIGHT SUPPORT BARISTA T
I.3343	MONTANTE IZQUIERDO BARISTA T	LEFT SUPPORT BARISTA T
I.3347	BASE MECANISMOS BARISTA T 3GR	MECHANISM BASE BARISTA T 3GR
I.3384	MARCO BASE BARISTA T 3GR NEGRE	BASE FRAME BARISTA T 3GR BLACK
I.3385	MARCO BASE BARISTA T 3GR BLANCA	BASE FRAME BARISTA T 3GR WHITE
I.3386	MARCO BASE BARISTA T 3GR BRILLO	BASE FRAME BARISTA T 3GR SHINE
I.3393	EMBELLECEDOR DERECHO BARISTA T NEGRE	RIGHT TRIM BARISTA T BLACK
I.3394	EMBELLECEDOR DERECHO BARISTA T BLANCA	RIGHT TRIM BARISTA T WHITE
I.3395	EMBELLECEDOR DERECHO BARISTA T BRILLO	RIGHT TRIM BARISTA T SHINE
I.3396	EMBELLECEDOR IZQUIERDO BARISTA T NEGRA	LEFT TRIM BARISTA T BLACK
I.3397	EMBELLECEDOR IZQUIERDO BARISTA T BLANCA	LEFT TRIM BARISTA T WHITE
I.3398	EMBELLECEDOR IZQUIERDO BARISTA T BRILLO	LEFT TRIM BARISTA T SHINE
I.3408	CARATULA BARISTA T ONE 3GR NEGRA	FRONTAL BARISTA T ONE 3GR BLACK
I.3409	CARATULA BARISTA T ONE 3GR BLANCA	FRONTAL BARISTA T ONE 3GR WHITE
I.3410	CARATULA BARISTA T ONE 3GR BRILLO	FRONTAL BARISTA T ONE 3GR SHINE
I.3411	CARATULA BARISTA T PLUS 3GR NEGRA	FRONTAL BARISTA T ONE 3GR BLACK
I.3412	CARATULA BARISTA T PLUS 3GR BLANCO	FRONTAL BARISTA T ONE 3GR WHITE
I.3413	CARATULA BARISTA T PLUS 3GR BRILLO	FRONTAL BARISTA T ONE 3GR SHINE
I.3418	FRONTAL INTERMEDIO BARISTA T 3GR	INTERMEDIATE FRONTAL BARISTA T 3GR
I.3420	FRONTAL INTERMEDIO BARISTA T 3GR RAISED	INTERMEDIATE FRONTAL BARISTA T 3GR RAISED
I.3424	TAPA SUPERIOR BARISTA T 3GR	UPPER LID BARISTA T 3GR
I.3518	TAPA TRASERA BARISTA T 3GR NEGRA	BACK LID BARISTA 3 GROUPS BLACK
I.3519	TAPA TRASERA BARISTA T 3GR BLANCA	BACK LID BARISTA 3 GROUPS WHITE
I.3520	TAPA TRASERA BARISTA T 3GR BRILLO	BACK LID BARISTA 3 GROUPS SHINE
I.3549	TAPA LATERAL DERECHA BARISTA T NEGRA	RIGHT SIDE COVERCLE BARISTA T BLACK
I.3550	TAPA LATERAL DERECHA BARISTA T BLANCA	RIGHT SIDE COVERCLE BARISTA T WHITE
I.3551	TAPA LATERAL DERECHA BARISTA T BRILLO	RIGHT SIDE COVERCLE BARISTA T SHINE
I.3552	TAPA LATERAL IZQUIERDA BARISTA T NEGRA	LEFT SIDE COVERCLE BARISTA T BLACK
I.3553	TAPA LATERAL IZQUIERDA BARISTA T BLANCA	LEFT SIDE COVERCLE BARISTA T WHITE
I.3554	TAPA LATERAL IZQUIERDA BARISTA T BRILLO	LEFT SIDE COVERCLE BARISTA T SHINE
I.3651	ESPARRAGO DIN 913 M10X40 INOX.	SCREW DIN 913 M10X40 INOX.
I.4225	PATA BIG DREAM 75X60	LEG BIG DREAM 75X60
I.4260	BASE GOMA PIE BIG DREAM	RUBBER FOOT BASE BD
I.4604	CARATULA BARISTA T ZERO 3GR NEGRA	FRONTAL BARISTA T ZERO 3GR BLACK
I.4605	CARATULA BARISTA T ZERO 3GR BLANCA	FRONTAL BARISTA T ZERO 3GR WHITE
I.4682	TORNILLO M4X12 DIN 921 INOX A2	SCREW M4X12 DIN 921 INOX A2
MI.204	TORNILLO DIN 7985 M4X10	SCREW DIN 7985 M4X10
TI.235	PERFIL PROTECTOR BANDEJA BAR/BARISTA	GASKET
TI.240	TUERCA M6 INOX A.4	M6 NUT



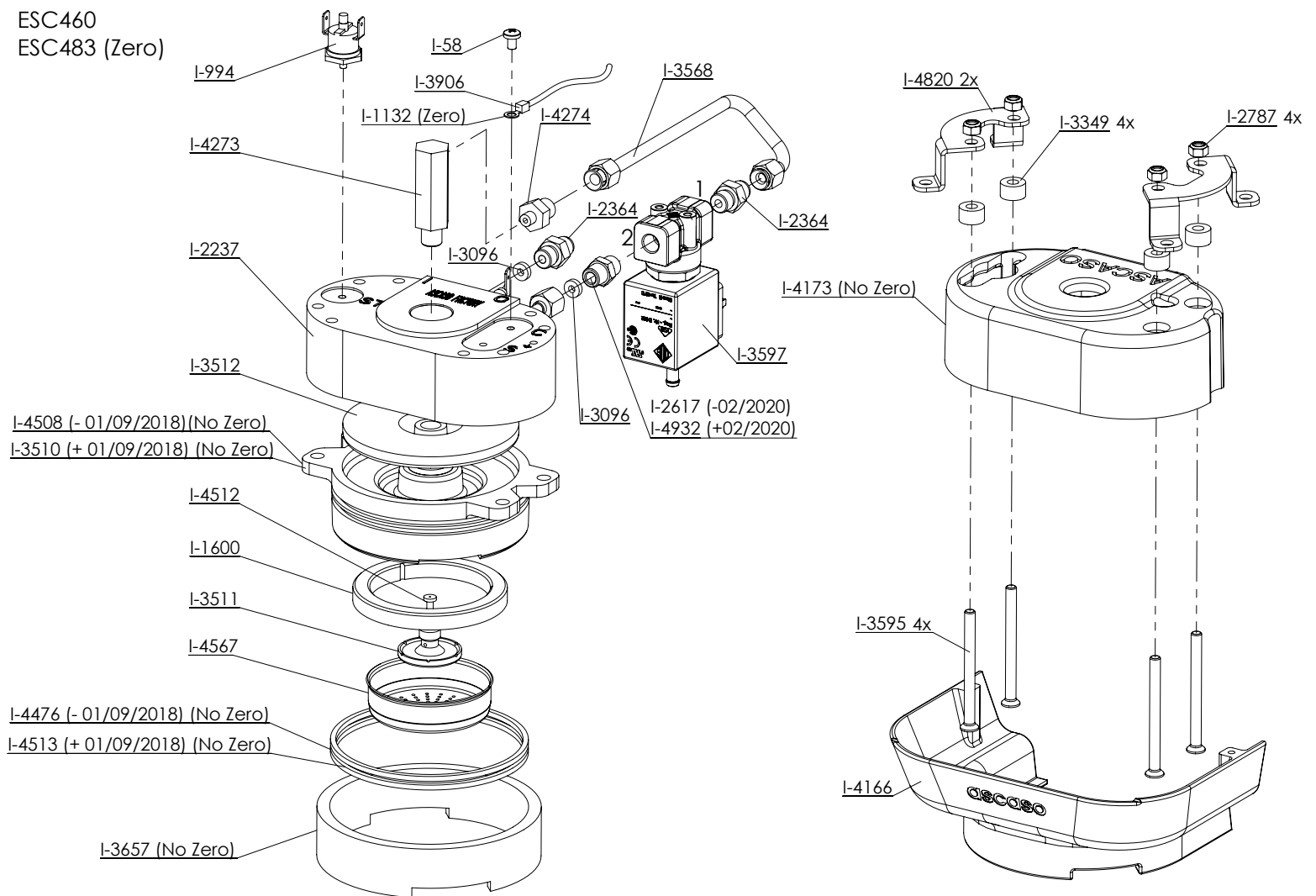
REF.	DESCRIPCIÓN	DESCRIPTION
I.422	TUERCA CON ARANDELA M4 INOX	NUT WITH WASHER
I.3342	MONTANTE DERECHO BATISTA T	RIGHT SUPPORT BARISTA T
I.3343	MONTANTE IZQUIERDO BARISTA T	LEFT SUPPORT BARISTA T
I.3344	SOPORTE MANOMETRO BARISTA T	MANOMETER TUBE BIG DREAM BARISTA T
I.3387	BASE BARISTA T 1GR	BASE BARISTA T 1GR
I.3388	BASE MECANISMOS BARISTA T 1GR	MECHANISM BASE BARISTA T 1GR
I.3529	COLUMNA CALDERA BARISTA T	BOILER COLUMN BARISTA T
I.3530	SOPORTE COLUMNA CALDERA BARISTA T	BOILER COLUMN SUPPORT BARISTA T
I.3589	TAPA PCB CONTROL BARISTA T 1GR	CONTROL PCB LID BARISTA T 1GR
I.3602	PCB CONTROL BARISTA T	CONTROL PCB BARISTA T
I.3603	PCB CONTROL POTENCIA BARISTA T	POTENTIALITY CONTROL PCB BARISTA T
I.3609	SOPORTE CALDERA BARISTA T 2GR	BOILER SUPPORT BARISTA T 2GR
I.3938	TUERCA CON ALAS M3	WING NUT M3
I.4073	TORNILLO DIN 912 M5X12 INOX	SCREW DIN 912 M5X12 INOX
I.4100	TAPA LED BARISTA RAISED 2017	LED CAP BARISTA RAISED 2017
I.4101	ILUMINACION BAR 1GR 2017	LIGHTING BAR 1GR 2017
I.4301	TORNILLO SR 1972 NYLON 6.6 NATURAL	NATURAL NYLON SCREW 6.6 SR
I.4399	CHAPA PROTECCIÓN MOTOR BARISTA T 1GR	ENGINE PROTECTION PLATE BARISTA T 1GR
I.4439	SUPLEMENTO CAZOLETA BARISTA T	DRAIN SUPPLEMENT BARISTA T
I.4546	TAPA PCB CONTROL POTENCIA BARISTA T 1GR	POWER CONTROL PCB BARISTA T 1GR
I.4582	SOPORTE EV LLENADO BARISTA T	FILLING SOLENOID SUPPORT BARISTA T
MI.204	TORNILLO DIN 7985 M4X10	SCREW DIN 7985 M4X10
PM.363	CONJUNTO CAZOLETA DESAGÜE	ASSEMBLY WATER DRAIN
PM.417	CONJUNTO MOTOR BARISTA T 220V	ENSEMBLE ENGINE BARISTA PRO 220V



REF.	DESCRIPCIÓN	DESCRIPTION
FRI.231	RELE ESTÁTICO	RELAY
I..422	TUERCA CON ARANDELA M4 INOX	NUT WITH WASHER
I..723	TORNILLO DIN 7985 M3 X 5 INOX	DIN 7985 M3 X 5 ZN SCREW
I.3185	SOPORTE CALDERA VAPOR BIG DREAM	STEAM BOILER SUPPORT BIG DREAM
I.3340	BASE BARISTA T 2GR	BASE BARISTA T 2GR
I.3342	MONTANTE DERECHO BATISTA T	RIGHT SUPPORT BARISTA T
I.3343	MONTANTE IZQUIERDO BARISTA T	LEFT SUPPORT BARISTA T
I.3344	SOPORTE MANOMETRO BARISTA T	MANOMETER TUBE BIG DREAM BARISTA T
I.3346	BASE MECANISMOS BARISTA T 2GR	MECHANISM BASE BARISTA T 2GR
I.3529	COLUMNA CALDERA BARISTA T	BOILER COLUMN BARISTA T
I.3530	SOPORTE COLUMNA CALDERA BARISTA T	BOILER COLUMN SUPPORT BARISTA T
I.3531	SOPORTE CALDERA BARISTA T 2GR	BOILER SUPPORT BARISTA T 2GR
I.3535	CHAPA PROTECCION MOTOR BARISTA T 2GR/3GR	ENGINE PROTECTION SHEET BARISTA T 2GR/3GR
I.3536	TAPA CENTRALITAS BARISTA T 2GR/3GR	ELECTRONIC BOXES LID BARISTA T 2GR/3GR
I.3602	PCB CONTROL BARISTA T	CONTROL PCB BARISTA T
I.3603	PCB CONTROL POTENCIA BARISTA T	POTENTIALITY CONTROL PCB BARISTA T
I.3938	TUERCA CON ALAS M3	WING NUT M3
I.4073	TORNILLO DIN 912 M5x12 INOX	SCREW DIN 912 M5x12 INOX
I.4100	TAPA LED BARISTA RAISED 2017	LED CAP BARISTA RAISED 2017
I.4102	ILUMINACIÓN BAR 2GR 2017	LIGHTING BAR 2GR 2017
I.4439	SUPLEMENTO CAZOLETA BARISTA T	DRAIN SUPPLEMENT BARISTA T
I.4582	SOPORTE EV LLENADO BARISTA T	FILLING SOLENOID SUPPORT BARISTA T
I.4590	SOPORTE GRIFO.LED BARISTA T	SUPPORT TAPLED BARISTA T
I.4591	SOPORTE GRIFO.LED BARISTA T ZERO	SUPPORT TAPLED BARISTA T ZERO
I.4674	CENTRALITA BARISTA T ZERO 1/2 GR	PCB BARISTA T ZERO 1/2GR
I.4681	SEPARADOR NYLON M3xM3 ALTURA 5MM	THREADED SPACER NYLON M3xM3 HEIGHT 5MM
I.4763	TAPA CENTRALITA BARISTA T ZERO 2GR	COVER OF THE CONTROL UNIT BARISTA T ZERO
I.4764	BASE CENTRALITA BARISTA T ZERO 2GR	BASE OF THE CONTROL UNIT BARISTA T ZERO
MI.204	TORNILLO DIN 7985 M4X10	SCREW DIN 7985 M4X10
PM.383	CJTO. CALDERA VAPOR BARISTA T 2GR/3GR	ASSEMBLY BOILER BARISTA T 2GR/3GR
PM.417	CONJUNTO MOTOR BARISTA T 220V	ENSEMBLE ENGINE BARISTA T 220V
PM.418	CONJUNTO CAZOLETA DESAGÜE	ASSEMBLY WATER DRAIN



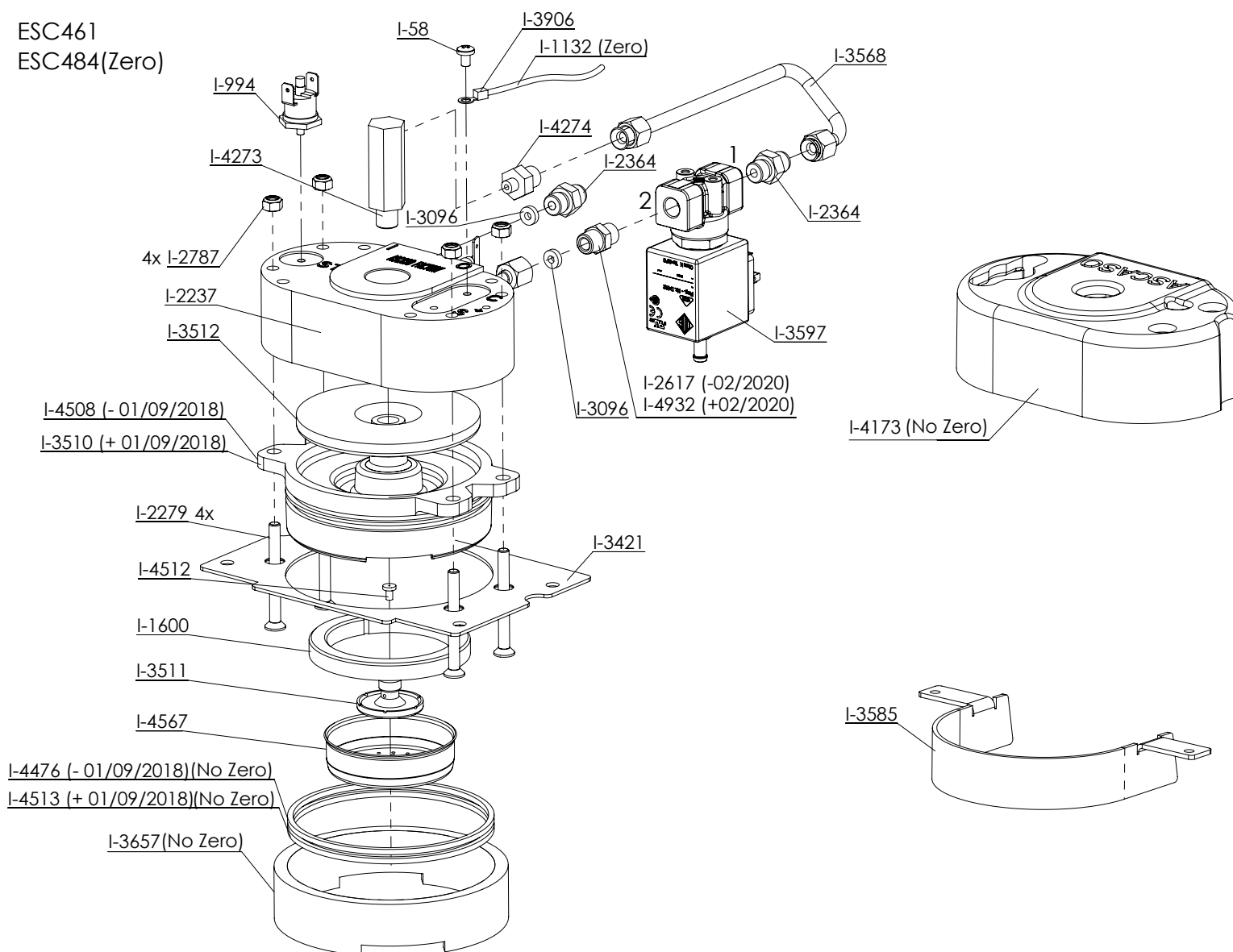
REF.	DESCRIPCIÓN	DESCRIPTION
I..422	TUERCA CON ARANDELA M4 INOX	NUT WITH WASHER
I..723	TORNILLO DIN 7985 M3 X 5 INOX	DIN 7985 M3 X 5 ZN SCREW
I.3185	SOPORTE CALDERA VAPOR BIG DREAM	STEAM BOILER SUPPORT BIG DREAM
I.3341	BASE BARISTA T 3GR	BASE BARISTA T 3GR
I.3342	MONTANTE DERECHO BATISTA T	RIGHT SUPPORT BARISTA T
I.3343	MONTANTE IZQUIERDO BARISTA T	LEFT SUPPORT BARISTA T
I.3344	SOPORTE MANOMETRO BARISTA T	MANOMETER TUBE BIG DREAM BARISTA T
I.3347	BASE MECANISMOS BARISTA T 3GR	MECHANISM BASE BARISTA T 3GR
I.3527	SOPORTE COLUMNA.CALDERA BARISTA T	BOILER SUPPORT BARISTA T
I.3529	COLUMNA CALDERA BARISTA T	BOILER COLUMN BARISTA T
I.3530	SOPORTE COLUMNA CALDERA BARISTA T	BOILER COLUMN SUPPORT BARISTA T
I.3536	TAPA CENTRALITAS BARISTA T 2GR/3GR	ELECTRONIC BOXES LID BARISTA T 2GR/3GR
I.3602	PCB CONTROL BARISTA T	CONTROL PCB BARISTA T
I.3603	PCB CONTROL POTENCIA BARISTA T	POTENTIALITY CONTROL PCB BARISTA T
I.3607	SOPORTE CALDERA BARISTA T 3GR	BOILER SUPPORT BARISTA T 3GR
I.3938	TUERCA CON ALAS M3	WING NUT M3
I.4073	TORNILLO DIN 912 M5x12 INOX	SCREW DIN 912 M5x12 INOX
I.4100	TAPA LED BARISTA RAISED 2017	LED CAP BARISTA RAISED 2017
I.4103	ILUMINACION BAR 3GR	LIGHTING BAR 3GR
I.4301	TORNILLO SR 1972 NYLON 6.6 NATURAL	NATURAL NYLON SCREW 6.6 SR
I.4439	SUPLEMENTO CAZOLETA BARISTA T	DRAIN SUPPLEMENT BARISTA T
I.4552	COLUMNA CALDERA BARISTA T	BOILER COLUMN BARISTA T
I.4566	CHAPA PROTECCION MOTOR BARISTA T 3GR	ENGINE PROTECTION SHEET BARISTA T 3GR
I.4582	SOPORTE EV LLENADO BARISTA T	FILLING SOLENOID SUPPORT BARISTA T
I.4590	SOPORTE GRIFO.LED BARISTA T	SUPPORT TAP.LED BARISTA T
I.4591	SOPORTE GRIFO.LED BARISTA T ZERO	SUPPORT TAP.LED BARISTA T ZERO
I.4681	SEPARADOR NYLON M3xM3 ALTURA 5MM	THREADED SPACER NYLON M3xM3 HEIGHT 5MM
I.4789	CENTRALITA BARISTA T ZERO 3GR	ELECTRONIC BOX BARISTA T ZERO 3GR
I.4852	TAPA CENTRALITA BARISTA T ZERO 3GR	COVER OF THE CONTROL UNIT BARISTA T ZERO
I.4853	BASE CENTRALITA BARISTA T ZERO 3GR	BASE OF THE CONTROL UNIT BARISTA T ZERO
MI.204	TORNILLO DIN 7985 M4X10	SCREW DIN 7985 M4X10
PM.363	CONJUNTO CAZOLETA DESAGÜE	ASSEMBLY WATER DRAIN
PM.417	CONJUNTO MOTOR BARISTA T 1/2GR 220V	ENSEMBLE ENGINE BARISTA T 1/2GR 220V
PM.419	CONJUNTO MOTOR BARISTA T 3GR 220V	ENSEMBLE ENGINE BARISTA T 3GR 220V



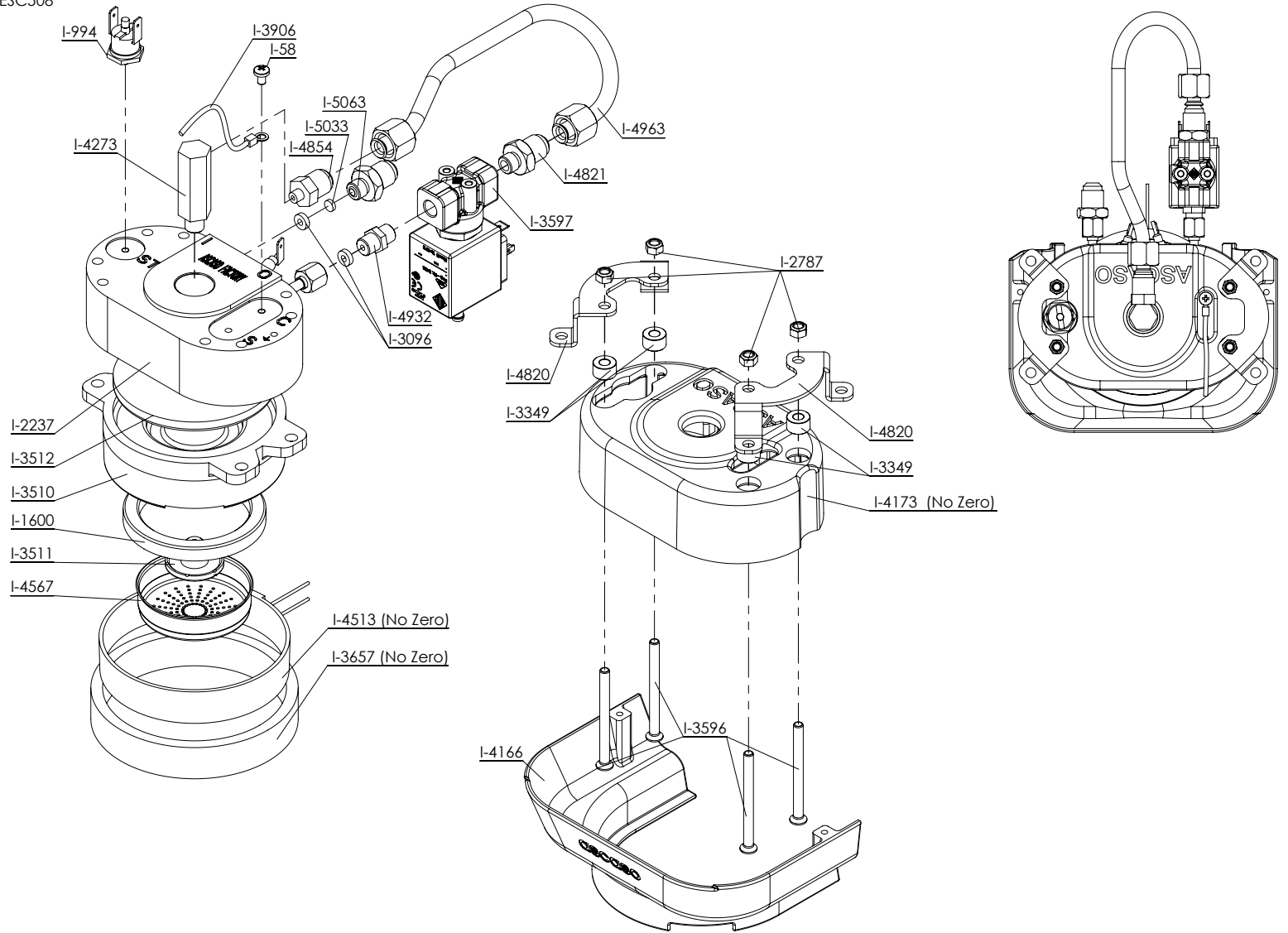
REF.	DESCRIPCIÓN	DESCRIPTION
ESC460	GRUPO INTERCAMBIADOR BARISTA T ONE/PLUS	THERMOBLOCK ASSY BARISTA T
ESC483	GRUPO INTERCAMBIADOR BARISTA T ZERO	THERMOBLOCK ASSY BARISTA T ZERO
I...58	TORNILLO BRIDA FUSIBLE INOX	SCREW
I..994	TERMOSTATO SEGURIDAD 145°	THERMOSTAT SAFETY
I.1132	SONDA TEMPERATURA NTC MF58	NTC TEMPERATURE PROBE MF58
I.1600	JUNTA PORTAFILTROS 8 mm	FILTERHOLDER GASKET 8MM
I.2237	CJTO INTERCAMBIADOR INOX. 230V	THERMOBLOCK INOX. 230V (INCLUDE 2xI.3096)
I.2364	RACOR CONTADOR VOLUMETRICO 1/8".1/8" INOX	FITTING VOLUMETRIC CONTROL 1/8".1/8"
I.2617	CONECTOR RECTO 1/8 M.M INOX	STRAIGHT CONNECTOR 1/8 M.M INOX
I.2787	TUERCA AUTOBLOCANTE D985 A2 M5	LOCK NUT D85 A2 M5
I.3096	JUNTA INTERCAMBIADOR	HEAT EXCHANGER GASKET
I.3349	TOPE PATA SOPORTE GRUPO BARISTA T	GROUP SUPPORT PAW STOP BARISTA T
I.3510	CAMPANA PROF. 2016	BELL PROF. 2016
I.3511	ROCIADOR GRUPO PROF. 2016	SPRAY GROUP PROF. 2016
I.3512	POSTIZO CAMPANA PROF. 2016	BELL PROF. 2016 SUPPLEMENT
I.3568	TUBO SALIDA GRUPO BARISTA T	GROUP EXIT PIPE BARISTA T
I.3595	TORNILLO DIN 965 M5x60 INOX	BOLT DIN 965 M5x60 INOX
I.3597	EV GRUPO BT 3/2 NC RUBY DN1.5mm G1/8 230V	GROUP SOLENOID BT 3/2 NC RUBY DN1.5mm G1/8 230V
I.3657	FUNDA TERMICA CAMPANA GRUPO PROF	GROUP PROF BELL THERMAL CASE
I.3906	SONDA TEMPERATURA BARISTA T/STEEL PID (.10/2013)	TEMPERATURE PROBE STEEL UNO PID (.10/2013)
I.4166	CUBRE GRUPOS BARISTA T	GROUP COVER BARISTA T
I.4173	FUNDA TERMICA INTECAMBIADOR INOX.	THERMOBLOCK THERMAL CASE
I.4273	RACOR ENTRADA INTERCAMBIADOR BARISTA T	IN.RACOR THERMOBLOCK BARISTA T
I.4274	RACOR CONEXION INTERCAMBIADOR BARISTA T (M6.1/8")	RACCORD CONNEXION THERMOBLOCK BARISTA T (M6.1/8")
I.4476	HILO CALEFACTOR GRUPO BARISTA T	BARISTA T GROUP HEAD HEATING WIRE
I.4508	CAMPANA BARISTA T	BELL BARISTA T
I.4512	CHICLE GRUPO BARISTA T 0.7	JET GROUP BARISTA T 0.7
I.4513	RESISTENCIA ADHESIVA GRUPO BARISTA T 27W	ADHESIVE RESISTANCE BARISTA T GROUP
I.4567	DUCHA SIMPLE 60 MM	SIMPLE SHOWER 60 MM
I.4820	SOPORTE GRUPO BARISTA T	GROUP SUPPORT BARISTA T
I.4932	RACOR 1/8 CON REDUCTOR DE CAUDAL RUBY 0,6mm BARISTA T/BIG DREAM T	BARISTA T/BIG DREAM T . 1/8 CONNECTOR WITH 0.6mm RUBY GLICEUR



ESC461  
ESC484(Zero)

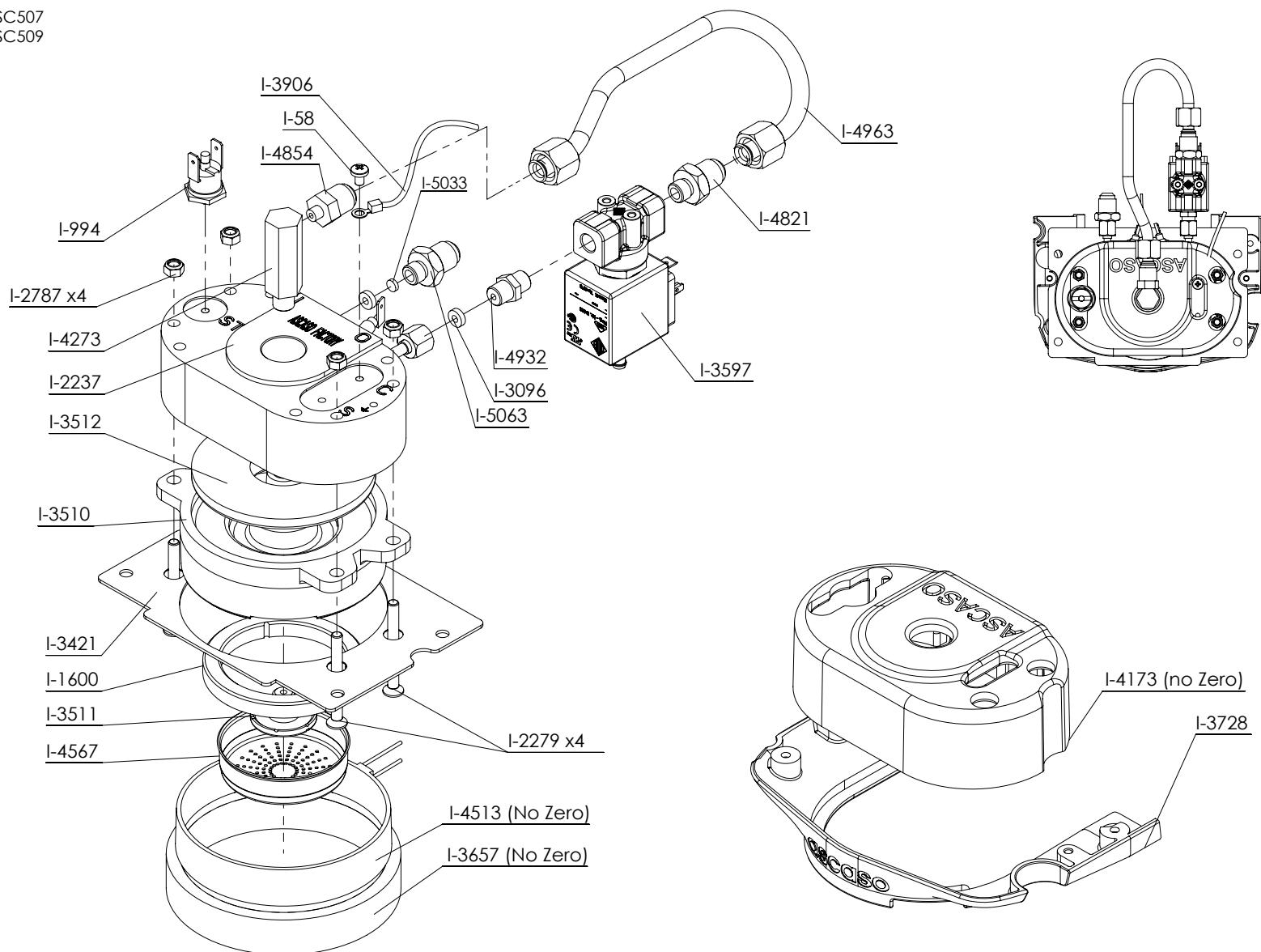


REF.	DESCRIPCIÓN	DESCRIPTION
ESC461	GRUPO INTERCAMBIADOR BARISTA T RAISED	THERMOBLOCK ASSY BARISTA T RAISED
ESC484	GRUPO INTERCAMBIADOR BARISTA T ZERO RAISED	THERMOBLOCK ASSY BARISTA T ZERO RAISED
I...58	TORNILLO BRIDA FUSIBLE INOX	SCREW
I..994	TERMOSTATO SEGURIDAD 145 °C	THERMOSTAT SAFETY 145 °C
I.1132	SONDA TEMPERATURA NTC MF58	NTC TEMPERATURE PROBE MF58
I.1600	JUNTA PORTAFILTROS 8MM	FILTERHOLDER GASJKET 8MM
I.2237	CJTO. INTERCAMBIADOR INOX. 230V	THERMOBLOCK INOX 230V
I.2279	TORNILLO M5X50 DIN7991 A.4	SCREW M5X50 DIN7991 A.4
I.2364	RACOR CONTADOR VOLUMETRICO 1/8" . 1/8"	FITTING VOLUMETRIC CONTROL 1/8" . 1/8"
I.2617	CONECTOR RECTO 1/8 M.M INOX	STRAIGHT CONNECTOR 1/8 M.M INOX
I.2787	TUERCA AUTOBLOCANTE DIN 985 A2 M5 INOX	NUT DIN 985 M5
I.3096	JUNTA INTERCAMBIADOR	HEAT EXCHANGER GASKET
I.3421	CHAPA GRUPO BARISTA T RAISED	GROUP SHEET BARISTA T RAISED
I.3510	CAMPANA PROF. 2016	BELL PROF. 2016
I.3511	ROCIADOR GRUPO PROF. 2016	SPRAY GROUP PROF. 2016
I.3512	POSTIZO CAMPANA PROF. 2016	BELL PROF 2016 SUPPLEMENT
I.3585	CUBREGRUPOS	GROUP COVER
I.3568	TUBO SALIDA GRUPO BARISTA T	GROUP EXIT PIPE BARISTA T
I.3597	EV GRUPO BT 3/2 NC RUBY DN1.5MM G1/8 230V	GROUP SOLENOID BT 3/2 NC RUBY DN1.5MM G1/8 230V
I.3657	FUNDA TERMICA CAMPANA GRUPO PROF	GROUP PROF BELL THERMAL CASE
I.3906	SONDA TEMPERATURA	TEMPERATURE PROBE
I.4173	FUNDA TÉRMICA INTERCAMBIADOR INOX.	THERMAL SHEATH STAINLESS STEEL EXCHANGET
I.4273	RACOR ENTRADA INTERCAMBIADOR BARISTA T	IN.RACOR THERMOBLOCK BARISTA T
I.4274	RACOR CONEXION INTERCAMBIADOR BARISTA T (M6.1/8")	RACCORD CONNEXION THERMOBLOCK BARISTA T (M6.1/8")
I.4476	HILO CALEFACTOR GRUPO BARISTA T	BARISTA T GROUP HEAD HEATING WIRE
I.4508	CAMPANA BARISTA T (I.4508)	BELL BARISTA T
I.4512	CHICLE GRUPO BARISTA T 0.7	JET GROUP BARISTA T 0.7
I.4513	RESISTENCIA ADHESIVA GRUPO BARISTA T	ADHESIVE RESISTANCE BARISTA T GROUP
I.4567	DUCHA SIMPLE 60MM	EASY SHOWER 60MM
I.4932	RACOR 1/8 CON REDUCTOR DE CAUDAL RUBY 0,6mm BARISTA T/BIG DREAM T	BARISTA T/BIG DREAM T . 1/8 CONNECTOR WITH 0.6mm RUBY GLICEUR

ESC506  
ESC508

REF.	DESCRIPCIÓN	DESCRIPTION
ESC506	GRUPO INTERCAMBIADOR BARISTA T ONE/PLUS D.8	THERMOBLOCK ASSY BARISTA T D.8
ESC508	GRUPO INTERCAMBIADOR BARISTA T ZERO D.8	THERMOBLOCK ASSEMBLY BARISTA T ZERO D.8
I...58	TORNILLO BRIDA FUSIBLE INOX	SCREW
I.994	TERMOSTATO SEGURIDAD 145°	THERMOSTAT SAFETY
I.1600	JUNTA PORTAFILTROS 8 mm	FILTERHOLDER GASKET 8MM
I.2237	INTERCAMBIADOR INOX. 230V	THERMOBLOCK INOX. 230V (INCLUDE 2xI.3096)
I.2787	TUERCA AUTOBLOCANTE D985 A2 M5	LOCK NUT D85 A2 M5
I.3096	JUNTA INTERCAMBIADOR	HEAT EXCHANGER GASKET
I.3349	TOPE PATA SOPORTE GRUPO BARISTA T	GROUP SUPPORT PAW STOP BARISTA T
I.3510	CAMPANA PROF. 2016	BELL PROF. 2016
I.3511	ROCIADOR GRUPO PROF. 2016	SPRAY GROUP PROF. 2016
I.3512	POSTIZO CAMPANA PROF. 2016	BELL PROF. 2016 SUPPLEMENT
I.3596	TORNILLO M4x12 DIN7380 INOX A2	SCREW M4x12 DIN7380 INOX A2
I.3597	ELECTROVALVULA GRUPO BT 3/2 NC RUBY DN1.5mm 230V	GROUP SOLENOID BT 3/2 NC RUBY DN1.5mm G1/8 230V
I.3657	FUNDA TERMICA CAMPANA GRUPO PROF	GROUP PROF BELL THERMAL CASE
I.3906	SONDA TEMPERATURA BARISTA T/STEEL PID (.10/2013)	TEMPERATURE PROBE STEEL UNO PID (.10/2013)
I.4166	CUBRE GRUPOS BARISTA T	GROUP COVER BARISTA T
I.4173	FUNDA TERMICA INTECAMBIADOR INOX.	THERMOBLOCK THERMAL CASE
I.4273	RACOR ENTRADA INTERCAMBIADOR BARISTA T	IN.RACOR THERMOBLOCK BARISTA T
I.4513	RESISTENCIA ADHESIVA GRUPO BARISTA T 27W	ADHESIVE RESISTANCE BARISTA T GROUP
I.4567	DUCHA SIMPLE 60 MM	SIMPLE SHOWER 60 MM
I.4820	SOPORTE GRUPO BARISTA T	GROUP SUPPORT BARISTA T
I.4821	RACOR 1/8" . 1/4" ABOCARDADO	FITTING 1/8" . 1/4" FLARED
I.4854	RACOR CONEXION INTERCAMBIADOR BARISTA T (M6.1/4")	EXCHANGER CONNECTION FITTING BARISTA T (M6.1/4")
I.4932	RACOR 1/8 CON REDUCTOR DE CAUDAL RUBY 0,6mm BARISTA T/BIG DREAM T	BARISTA T/BIG DREAM T . 1/8 CONNECTOR WITH 0.6mm RUBY GLICEUR
I.4963	TUBO SALIDA GRUPO BARISTA T D.8	GROUP EXIT PIPE BARISTA T D.8
I.5033	FILTRO DISCO 5x2 AISI304	DISC FILTER 5x2
I.5063	RACOR 1/8" . 1/4" PARA FILTRO DISCO 5x2	FITTING 1/4 . 1/8

ESC507  
ESC509



REF.	DESCRIPCIÓN	DESCRIPTION
ESC507	GRUPO INTERCAMBIADOR BARISTA T ONE/PLUS RAISED D.8	THERMOBLOCK ASSY BARISTA T RAISED D.8
ESC509	GRUPO INTERCAMBIADOR BARISTA T ZERO RAISED D.8	THERMOBLOCK ASSY BARISTA T ZERO RAISED D.8
I...58	TORNILLO BRIDA FUSIBLE INOX	SCREW
I..994	TERMOSTATO SEGURIDAD 145°	THERMOSTAT SAFETY
I.1600	JUNTA PORTAFILTROS 8 mm	FILTERHOLDER GASKET 8MM
I.2237	INTERCAMBIADOR INOX. 230V	THERMOBLOCK INOX. 230V (INCLUDE 2xI.3096)
I.2279	TORNILLO M5X50 DIN7991 A.4 80 INOX	SCREW M5X50 DIN7991 A.2 SS
I.2787	TUERCA AUTOBLOCANTE D985 A2 M5	LOCK NUT D85 A2 M5
I.3096	JUNTA INTERCAMBIADOR	HEAT EXCHANGER GASKET
I.3421	CHAPA GRUPO BARISTA T RAISED	GROUP SHEET BARISTA T RAISED
I.3510	CAMPANA PROF. 2016	BELL PROF. 2016
I.3511	ROCIADOR GRUPO PROF. 2016	SPRAY GROUP PROF. 2016
I.3512	POSTIZO CAMPANA PROF. 2016	BELL PROF. 2016 SUPPLEMENT
I.3597	ELECTROVALVULA GRUPO BT 3/2 NC RUBY DN1.5mm 230V	GROUP SOLENOID BT 3/2 NC RUBY DN1.5mm G1/8 230V
I.3657	FUNDA TERMICA CAMPANA GRUPO PROF	GROUP PROF BELL THERMAL CASE
I.3728	CUBREGRUPOS BARISTA T RAISED / STEEL	GROUP COVER BARISTA T RAISED/STEEL
I.3906	SONDA TEMPERATURA BARISTA T/STEEL PID (.10/2013)	TEMPERATURE PROBE STEEL UNO PID (.10/2013)
I.4173	FUNDA TERMICA INTECAMBIADOR INOX.	THERMOBLOCK THERMAL CASE
I.4273	RACOR ENTRADA INTERCAMBIADOR BARISTA T	IN.RACOR THERMOBLOCK BARISTA T
I.4513	RESISTENCIA ADHESIVA GRUPO BARISTA T 27W	ADHESIVE RESISTANCE BARISTA T GROUP
I.4567	DUCHA SIMPLE 60 MM	SIMPLE SHOWER 60 MM
I.4821	RACOR 1/8" . 1/4" ABOCARDADO	FITTING 1/8" . 1/4" FLARED
I.4854	RACOR CONEXION INTERCAMBIADOR BARISTA T (M6.1/4")	EXCHANGER CONNECTION FITTING BARISTA T (M6.1/4")
I.4932	RACOR 1/8 CON REDUCTOR DE CAUDAL RUBY 0,6mm BARISTA T/BIG DREAM T	BARISTA T/BIG DREAM T . 1/8 CONNECTOR WITH 0.6mm RUBY GLICEUR
I.4963	TUBO SALIDA GRUPO BARISTA T D.8	GROUP EXIT PIPE BARISTA T D.8
I.5033	FILTRO DISCO 5x2 AISI304	DISC FILTER 5x2
I.5063	RACOR 1/8" . 1/4" PARA FILTRO DISCO 5x2	FITTING 1/4 . 1/8

11 ASCASO

Caldera Barista T One 2/3 GR (+06/2019) ■ Boiler Barista T One 2/3 GR (+06/2019)

ESC473

Vista A

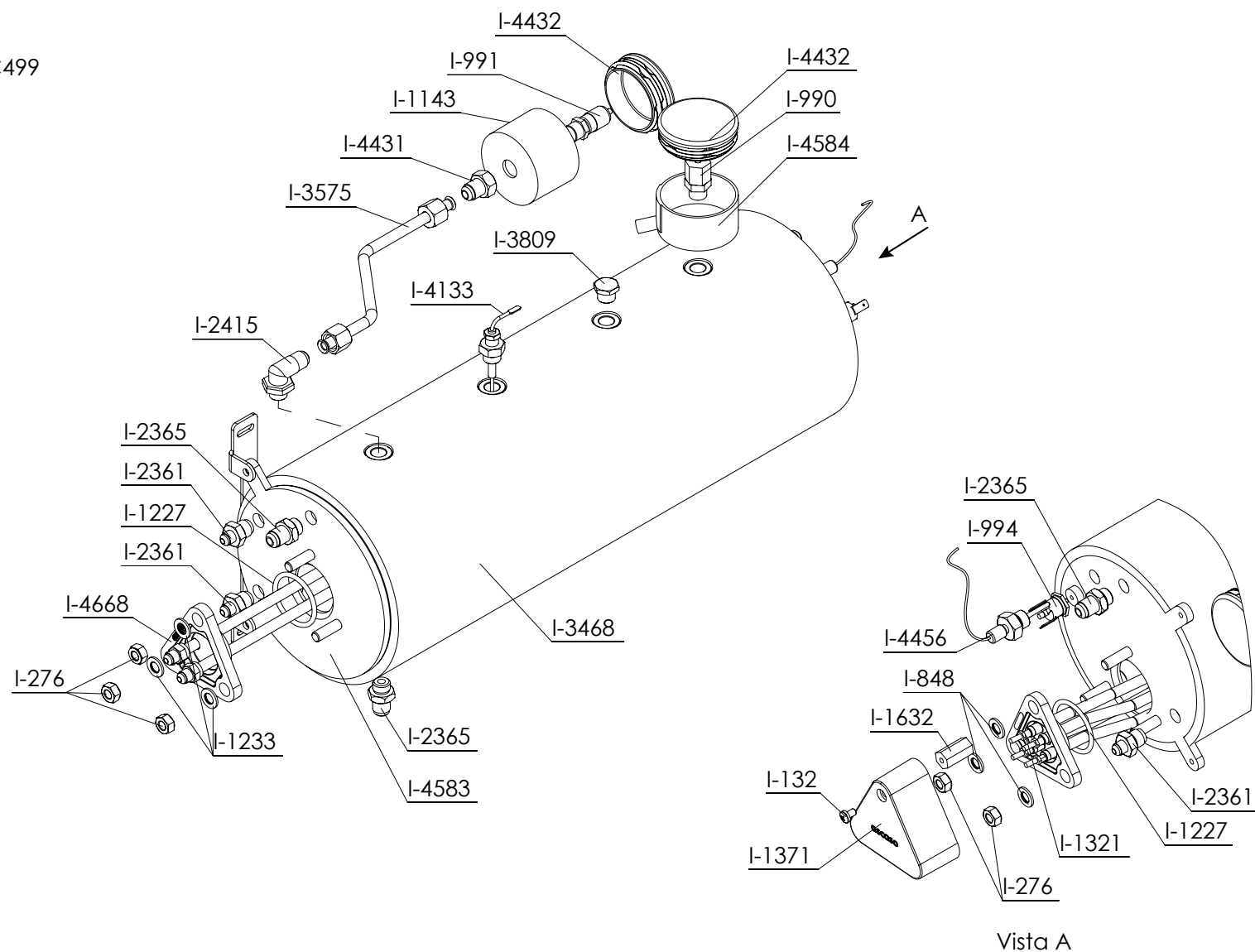
ASCASO

REF.	DESCRIPCIÓN
ESC473	CALDERA VAPOR BARISTA T ONE 2GR/3GR
I..132	TORNILLO M5x8 INOX
I..276	TUERCA M8 INOX
I..848	ARANDELA PLANA M8 INOX
I..990	VALVULA VACIO BAR 1/4
I..991	VALVULA DE SEGURIDAD BAR
I..994	TERMOSTATO SEGURIDAD 145°
I.1143	CAZOLETA VALVULA VACIO
I.1227	TORICA 37.69 x 3.53 SILICONA
I.1233	ARANDELA GROWER M8 DIN 127/B INOX.
I.1321	RESISTENCIA BARISTA 2GR/BARISTA T 2/3GR 3500W 230V
I.1371	TAPA PROTECTOR RESISTENCIA
I.1632	TUERCA ESPECIAL RESISTENCIA INOX
I.2361	RACOR INYECTOR 1/4". 1/8"
I.2361	RACOR INYECTOR 1/4". 1/8"
I.2365	RACOR CALDERA 1/4" INOX
I.2415	RACOR CODO 1/4" AISI 316
I.3185	SOPORTE CALDERA VAPOR BIG DREAM/BARISTA T
I.3575	TUBO VALVULA DE SEGURIDAD CALDERA BARISTA T
I.3809	TAPON 1/4 INOX
I.4133	SONDA NIVEL BIG DREAM/BARISTA T 114mm
I.4431	RACOR 1/4H . 1/4M PARA TUBO ABOCARDADO
I.4432	TAPA CAZOLETA VALVULA VACIO
I.4456	SONDA TEMPERATURA CALDERA VAPOR BARISTA T
I.4583	CALDERA VAPOR 8.5L BIG DREAM/BARISTA T 2/3 GRUPOS
I.4584	CAZOLETA VALVULA VACIO BARISTA T 1/4"D60XH30MM/F14
I.4668	INTERCAMBIADOR BARISTA T

DESCRIPTION
BOILER BARISTA T ONE 2GR/3GR
SCREW
NUT
WASHER
BAR EMPTY SOLENOID
SAFETY BAR VALVE
THERMOSTAT SAFETY
BAR TRAY WATER BOILER
SILICONE RING 37.69 X 3.53
GROWER SAFETY WASHER M8 DIN 127/B SS
RESISTANCE BARISTA 2GR/BT 2/3GR. 3500W 14LT.
RESISTANCE PROTECTOR LID
RESISTANCE NUT
FITTING INYECTOR 1/4".1/8"
FITTING INYECTOR 1/4".1/8"
FITTING BOILER 1/4"
BOIX FITTING 1/4"
STEAM BOILER SUPPORT BIG DREAM
BOILER SECURITY VALVE PIPE BARISTA T
1/4 INOX CAP
LEVEL PROBE 114mm
RACORD 1/4H . 1/4M FOR ABOARDER PIPE
COVER CUP EMPTY VALVE
BOILER BARISTA T TEMPERATURE PROBE
BOILER CHAUDIERE 8.5L BIG DREAM/BARISTA T 2/3 GROUPS
TRAY WATER BOILER BARISTA T 1/4"D60XH30MM/F14
EXCHANGER BARISTA T

ASCASO

ESC499



ASCASO

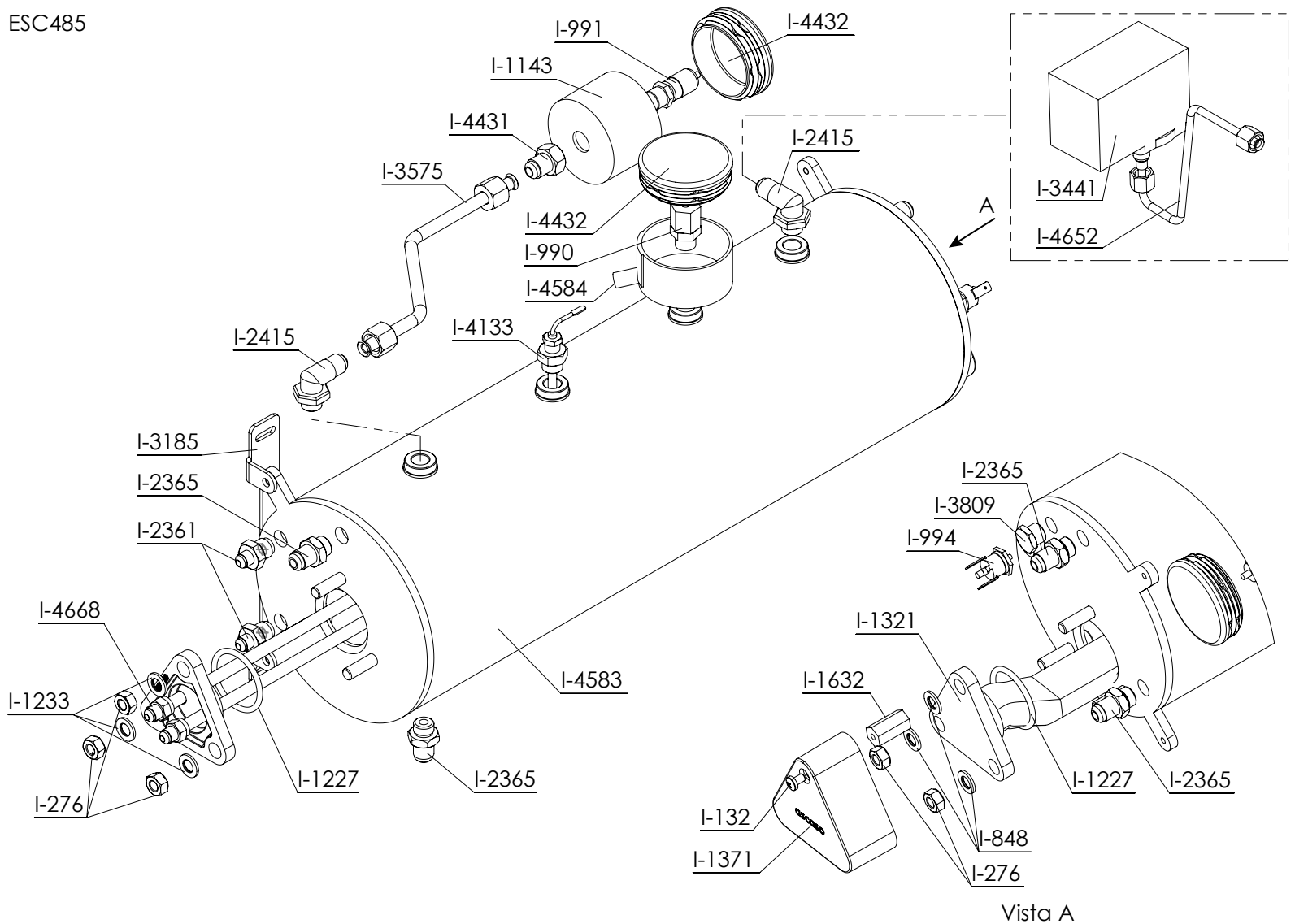
REF.	DESCRIPCIÓN
ESC499	CALDERA VAPOR BARISTA T PLUS 2GR/3GR
I..132	TORNILLO M5x8 INOX
I..276	TUERCA M8 INOX
I..848	ARANDELA PLANA M8 INOX
I..990	VALVULA VACIO BAR 1/4
I..991	VALVULA DE SEGURIDAD BAR
I..994	TERMOSTATO SEGURIDAD 145°
I.1143	CAZOLETA VALVULA VACIO
I.1227	TORICA 37.69 x 3.53 SILICONA
I.1233	ARANDELA GROWER M8 DIN 127/B INOX.
I.1321	RESISTENCIA BARISTA 2GR/BARISTA T 2/3GR 3500W 230V
I.1371	TAPA PROTECTOR RESISTENCIA
I.1632	TUERCA ESPECIAL RESISTENCIA INOX
I.2361	RACOR INYECTOR 1/4". 1/8"
I.2365	RACOR CALDERA 1/4" INOX
I.2415	RACOR CODO 1/4" AISI 316
I.3468	FUNDA TERMICA CALDERA 2GR BIG DREAM/BARISTA T
I.3575	TUBO VALVULA DE SEGURIDAD CALDERA BARISTA T
I.3809	TAPON 1/4 INOX
I.4133	SONDA NIVEL BIG DREAM/BARISTA T 114mm
I.4431	RACOR 1/4H . 1/4M PARA TUBO ABOCARDADO
I.4432	TAPA CAZOLETA VALVULA VACIO
I.4456	SONDA TEMPERATURA CALDERA VAPOR BARISTA T
I.4583	CALDERA VAPOR 8.5L BIG DREAM/BARISTA T 2/3 GRUPOS
I.4584	CAZOLETA VALVULA VACIO BARISTA T 1/4"D60XH30MM/F14
I.4668	INTERCAMBIADOR BARISTA T

DESCRIPTION
BOILER BARISTA T PLUS 2GR/3GR
SCREW
NUT
WASHER
BAR EMPTY SOLENOID
SAFETY BAR VALVE
THERMOSTAT SAFETY
BAR TRAY WATER BOILER
SILICONE RING 37.69 X 3.53
GROWER SAFETY WASHER M8 DIN 127/B SS
RESISTANCE BARISTA 2GR/BT 2/3GR. 3500W 14LT.
RESISTANCE PROTECTOR LID
RESISTANCE NUT
FITTING INYECTOR 1/4".1/8"
FITTING BOILER 1/4"
BOIX FITTING 1/4"
2GR BOILER THERMAL CASE BIG DREAM
BOILER SECURITY VALVE PIPE BARISTA T
1/4 INOX CAP
LEVEL PROBE 114mm
RACORD 1/4H . 1/4M FOR ABOARDDED PIPE
COVER CUP EMPTY VALVE
BOILER BARISTA T TEMPERATURE PROBE
BOILER CHAUDIERE 8.5L BIG DREAM/BARISTA T 2/3 GROUPS
TRAY WATER BOILER BARISTA T 1/4"D60XH30MM/F14
EXCHANGER BARISTA T

ASCASO

ascaso

ESC485

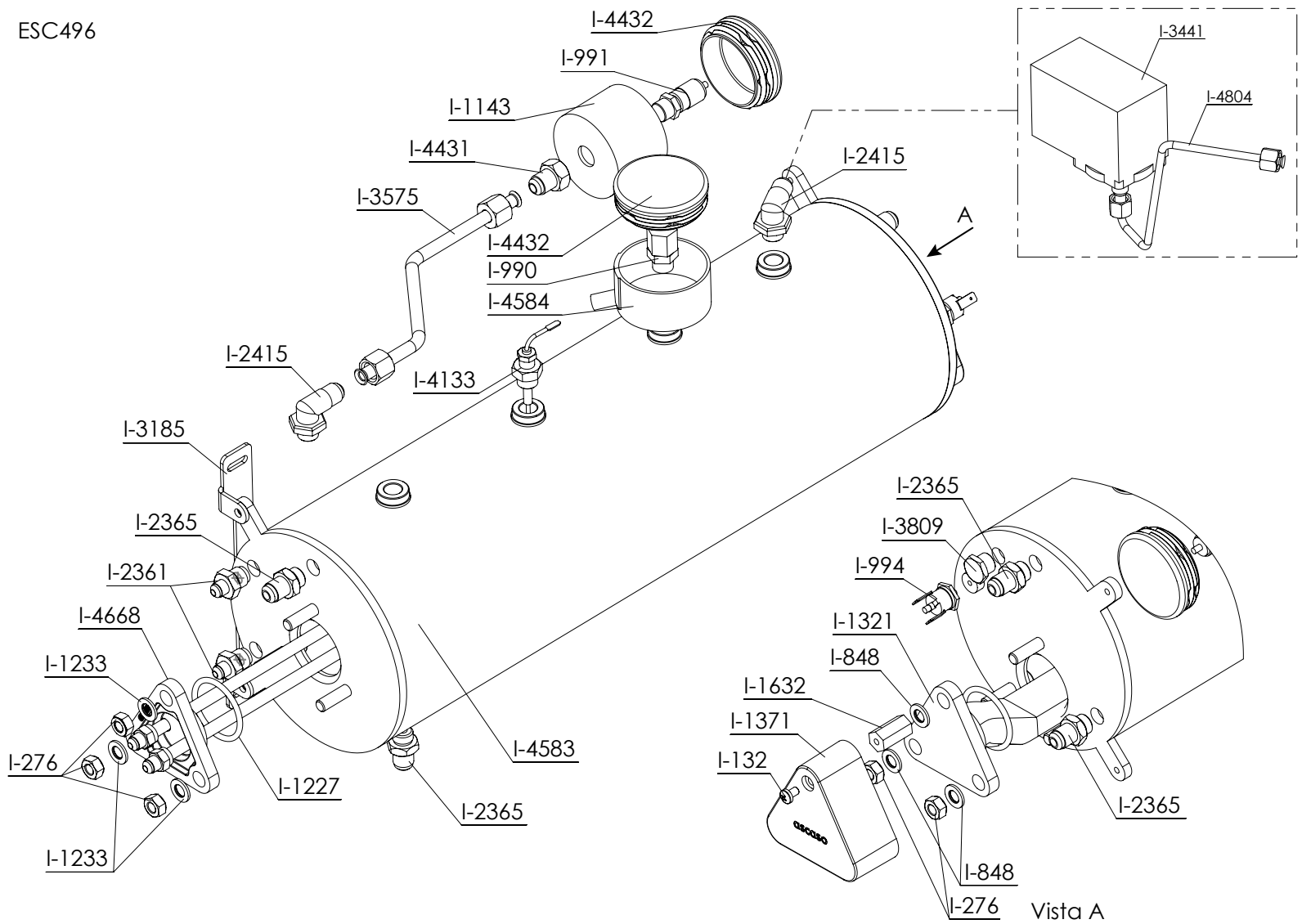


Vista A

REF.	DESCRIPCIÓN
ESC485	CALDERA VAPOR BARISTA T ZERO 2GR/3GR
I..132	TORNILLO M5x8 INOX
I..246	TOPE PLACA ELECTRONICA
I..276	TUERCA M8 INOX
I..848	ARANDELA PLANA M8 INOX
I..990	VALVULA VACIO BAR 1/4
I..991	VALVULA DE SEGURIDAD BAR
I..994	TERMOSTATO SEGURIDAD 145°
I.1143	CAZOLETA VALVULA VACIO
I.1227	TORICA 37.69 x 3.53 SILICONA
I.1233	ARANDELA GROWER M8 DIN 127/B INOX.
I.1321	RESISTENCIA BARISTA 2GR/BARISTA T 2/3GR 3500W 230V
I.1371	TAPA PROTECTOR RESISTENCIA
I.1632	TUERCA ESPECIAL RESISTENCIA INOX
I.2361	RACOR INYECTOR 1/4". 1/8"
I.2365	RACOR CALDERA 1/4" INOX
I.2415	RACOR CODO 1/4" AISI 316
I.3185	SOPORTE CALDERA VAPOR BIG DREAM/BARISTA T
I.3441	PRESOSTATO SIRAI 20A
I.3575	TUBO VALVULA DE SEGURIDAD CALDERA BARISTA T
I.3809	TAPON 1/4 INOX
I.4133	SONDA NIVEL BIG DREAM/BARISTA T 114mm
I.4431	RACOR 1/4H . 1/4M PARA TUBO ABOCARDADO
I.4432	TAPA CAZOLETA VALVULA VACIO
I.4584	CAZOLETA VALVULA VACIO BARISTA T 1/4"D60XH30MM/F14
I.4652	TUBO PRESOSTATO BARISTA T ZERO 2GR
I.4668	INTERCAMBIADOR BARISTA T
I.4583	CALDERA VAPOR 8.5L BIG DREAM/BARISTA T 2/3 GRUPOS
I.4584	CAZOLETA VALVULA VACIO BARISTA T 1/4"D60XH30MM/F14
I.4652	TUBO PRESOSTATO BARISTA T ZERO 2GR
I.4668	INTERCAMBIADOR BARISTA T

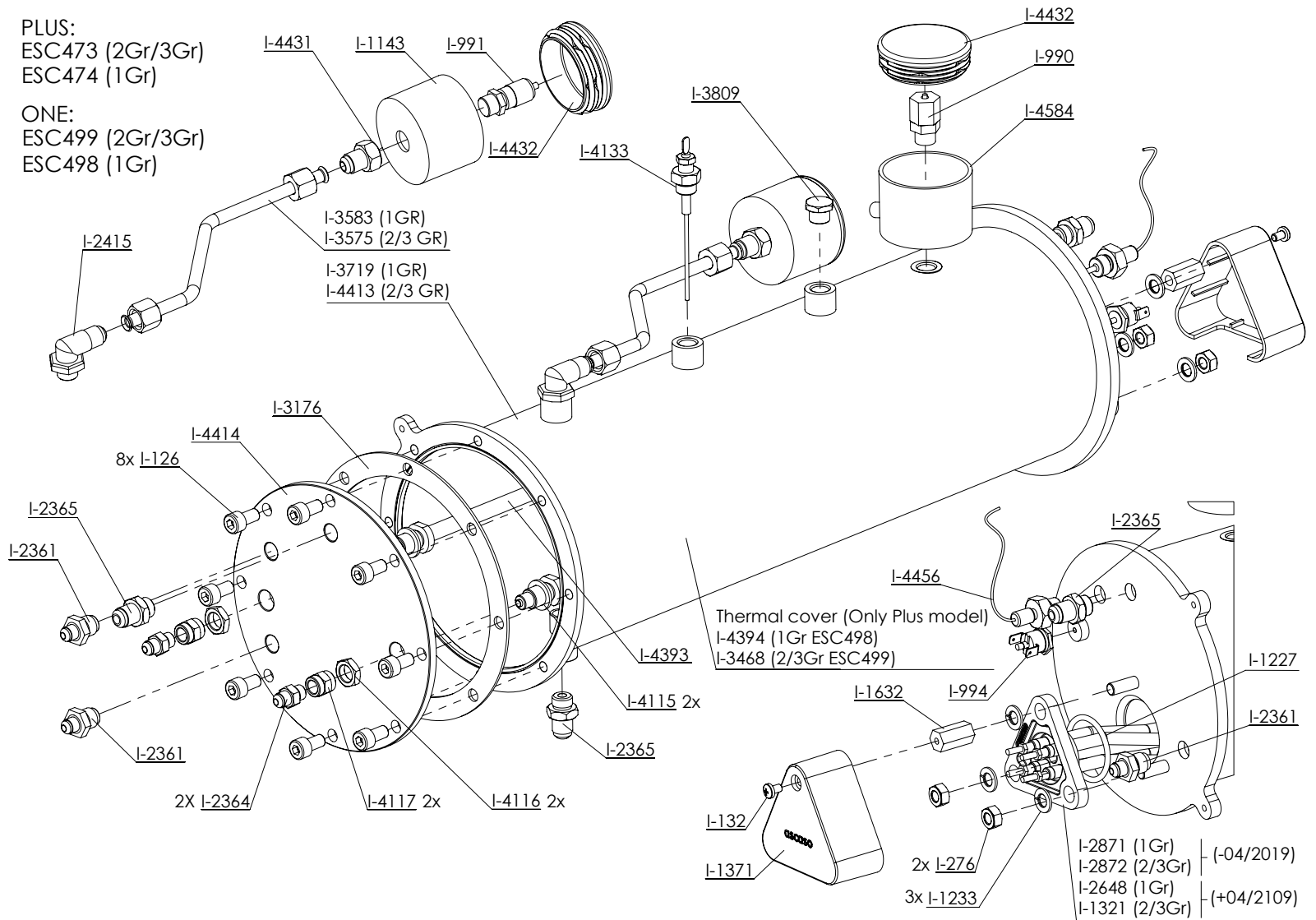
DESCRIPTION
BOILER BARISTA T ZERO 2GR/3GR
SCREW
LIMIT
NUT
WASHER
BAR EMPTY SOLENOID
SAFETY BAR VALVE
THERMOSTAT SAFETY
BAR TRAY WATER BOILER
SILICONE RING 37.69 X 3.53
GROWER SAFETY WASHER M8 DIN 127/B SS
RESISTANCE BARISTA 2GR/BT 2/3GR. 3500W 14LT.
RESISTANCE PROTECTOR LID
RESISTANCE NUT
FITTING INYECTOR 1/4".1/8"
FITTING BOILER 1/4"
BOIX FITTING 1/4"
STEAM BOILER SUPPORT BIG DREAM
PRESSURE SWITCH SIRAI 20A
BOILER SECURITY VALVE PIPE BARISTA T
1/4 INOX CAP
LEVEL PROBE 114mm
RACORD 1/4H . 1/4M FOR ABOARDER PIPE
COVER CUP EMPTY VALVE
TRAY WATER BOILER BARISTA T 1/4"D60XH30MM/F14
PRESSURE SWITCH PIPE BARISTA T ZERO 2GR
EXCHANGER BARISTA T
BOILER CHAUDIERE 8.5L BIG DREAM/BARISTA T 2/3 GROUPS
TRAY WATER BOILER BARISTA T 1/4"D60XH30MM/F14
PRESSURE SWITCH PIPE BARISTA T ZERO 2GR
EXCHANGER BARISTA T

ESC496



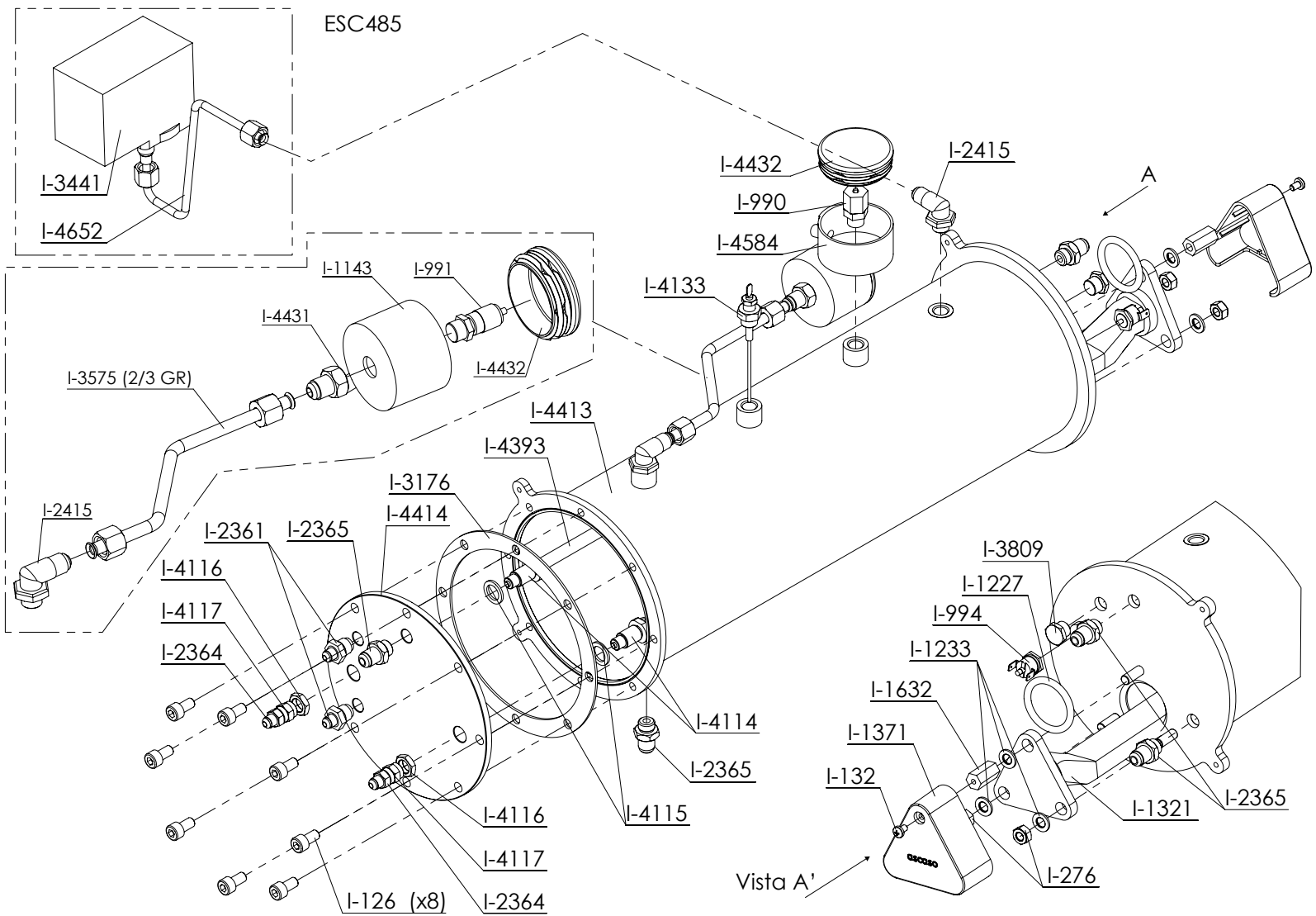
REF.	DESCRIPCIÓN	DESCRIPTION
ESC496	CONJUNTO CALDERA VAPOR BARISTA T ZERO 3GR	BOILER ASSEMBLY BARISTA T ZERO 3GR
I..132	TORNILLO M5x8 INOX	SCREW
I..276	TUERCA M8 INOX	NUT
I..848	ARANDELA PLANA M8 INOX	WASHER
I..990	VALVULA VACIO BAR 1/4	BAR EMPTY SOLENOID
I..991	VALVULA DE SEGURIDAD BAR	SAFETY BAR VALVE
I..994	TERMOSTATO SEGURIDAD 145°	THERMOSTAT SAFETY
I.1143	CAZOLETA VALVULA VACIO	BAR TRAY WATER BOILER
I.1227	TORICA 37.69 x 3.53 SILICONA	SILICONE RING 37.69 X 3.53
I.1233	ARANDELA GROWER M8 DIN 127/B INOX.	GROWER SAFETY WASHER M8 DIN 127/B SS
I.1321	RESISTENCIA BARISTA 2GR/BARISTA T 2/3GR 3500W 230V	RESISTANCE BARISTA 2GR/BT 2/3GR. 3500W 14LT.
I.1371	TAPA PROTECTOR RESISTENCIA	RESISTANCE PROTECTOR LID
I.1632	TUERCA ESPECIAL RESISTENCIA INOX	RESISTANCE NUT
I.2361	RACOR INYECTOR 1/4". 1/8"	FITTING INYECTOR 1/4".1/8"
I.2365	RACOR CALDERA 1/4" INOX	FITTING BOILER 1/4"
I.2415	RACOR CODO 1/4" AISI 316	BOIX FITTING 1/4"
I.3185	SOPORTE CALDERA VAPOR BIG DREAM/BARISTA T	STEAM BOILER SUPPORT BIG DREAM
I.3441	PRESOSTATO SIRAI 20A	PRESSURE SWITCH SIRAI 20A
I.3575	TUBO VALVULA DE SEGURIDAD CALDERA BARISTA T	BOILER SECURITY VALVE PIPE BARISTA T
I.3809	TAPON 1/4 INOX	1/4 INOX CAP
I.4133	SONDA NIVEL BIG DREAM/BARISTA T 114mm	LEVEL PROBE 114mm
I.4431	RACOR 1/4H . 1/4M PARA TUBO ABOCARDADO	RACORD 1/4H . 1/4M FOR ABOARDDED PIPE
I.4432	TAPA CAZOLETA VALVULA VACIO	COVER CUP EMPTY VALVE
I.4804	TUBO PRESOSTATO BARISTA T ZERO 3GR	PRESSURE SWITCH PIPE BARISTA T ZERO 3GR
I.4584	CAZOLETA VALVULA VACIO BARISTA T 1/4"D60XH30MM/F14	TRAY WATER BOILER BARISTA T 1/4"D60XH30MM/F14
I.4652	TUBO PRESOSTATO BARISTA T ZERO 2GR	PRESSURE SWITCH PIPE BARISTA T ZERO 2GR
I.4668	INTERCAMBIADOR BARISTA T	EXCHANGER BARISTA T

PLUS:  
ESC473 (2Gr/3Gr)  
ESC474 (1Gr)  
ONE:  
ESC499 (2Gr/3Gr)  
ESC498 (1Gr)

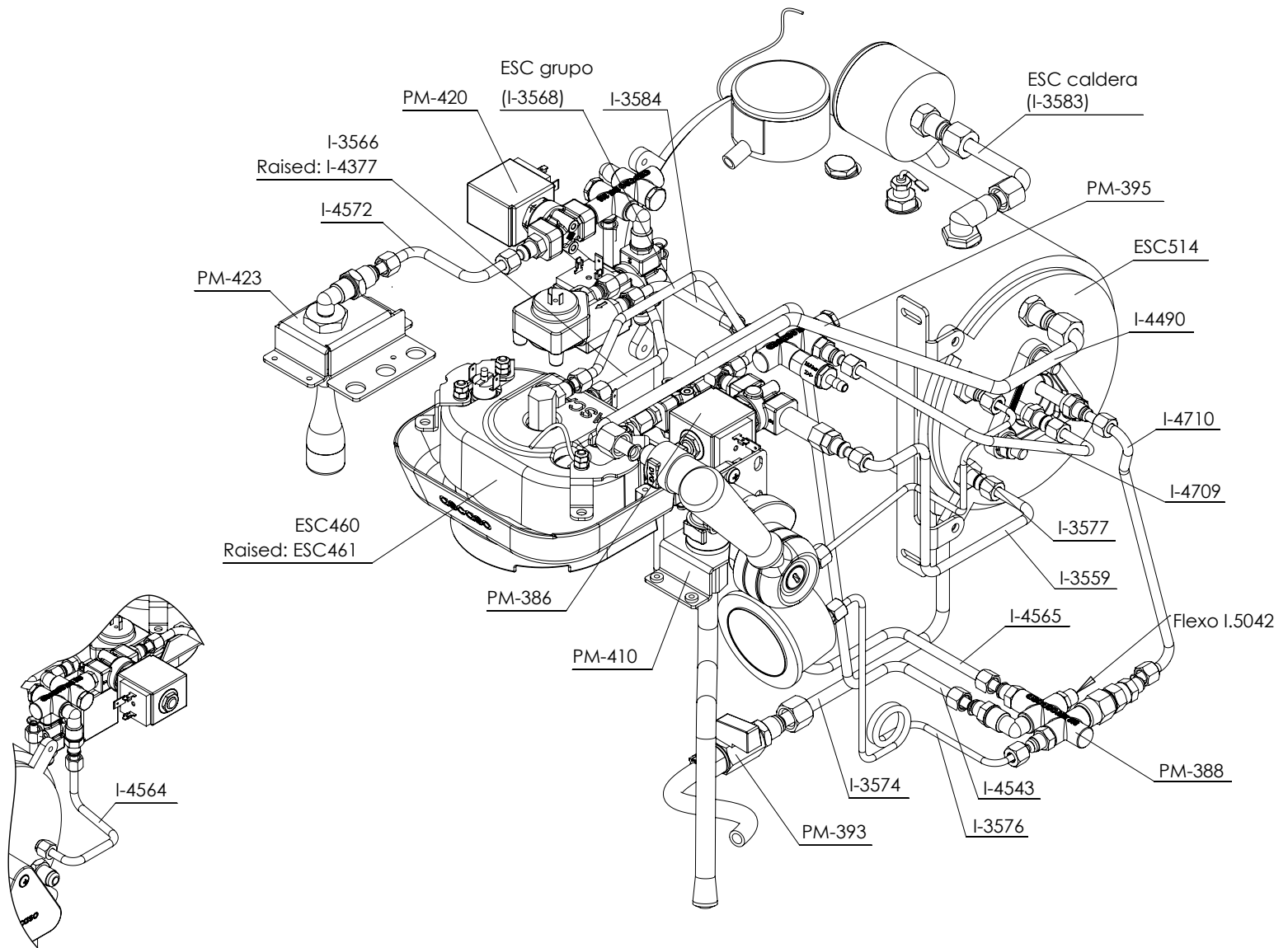


REF.	DESCRIPCIÓN	DESCRIPTION
I..126	TORNILLO ALLEN DIN912 M8X15 A4	SCREW DIN912 M8X15 A4
I..132	TORNILLO M5X8 INOX	SCREW M5X8 INOX
I..276	TUERCA M8 INOX	SCREW M8
I..990	VALVULA VACIO BAR 1/4	BAR EMPTY SOLENOID
I..991	VALVULA DE SEGURIDAD BAR	SAFETY BAR VALVE
I..994	TERMOSTATO SEGURIDAD 145 °C	THERMOSTAT SAFETY 145 °C
I.1143	CAZOLETA VALVULA VACIO	BAR TRAY WATER BOILER
I.1227	TÓRICA 37.69 X 3.53 SILICONA	O.RING 37.69 X 3.53 SILICONE
I.1233	ARANDELA GROWER M8 DIN 127/B INOX.	GROWER SAFETY WASHER M8 DIN 127/B SS
I.1321	RESISTENCIA BARISTA 2GR 3500W.230V 13LIT. INOX	RESISTANCE 2GR. 3500W 14LT.
I.1371	TAPA PROTECCIÓN RESISTENCIA	RESISTANCE PROTECTOR LID
I.1632	TUERCA ESPECIAL RESISTENCIA INOX	RESISTANCE NUT
I.2361	RACOR INYECTOR 1/4". 1/8"	FITTING INYECTOR 1/4".1/8"
I.2364	RACOR CONTADOR VOLUMETRICO 1/8".1/8"	FITTING VOLUMETRIC CONTROL 1/8".1/8"
I.2365	RACOR CALDERA 1/4" INOX	BOILER FITTING 1/4" INOX
I.2415	RACOR CODO 1/4" AISI 316	RACOR CODO 1/4" AISI 316
I.2648	RESISTENCIA BARISTA 1GR 2000W 220V/380V	RESISTANCE BARISTA 1GR 2000W 220V
I.2871	RESISTENCIA CALDERA DREAM PRO 1GR (2000W/230V)	DREAM PRO 1GR (2000W/230V) BOILER HEATING ELEMENT
I.2872	RESISTENCIA CALDERA BIG DREAM 2GR (3500W/230V)	BIG DREAM 2GR (3500W/230V) BOLIER HEATING ELEMENT
I.3176	JUNTA TAPA CALDERA PTFE	PTFE BOILER LID GASKET
I.3185	SOPORTE CALDERA VAPOR BIG DREAM	STEAM BOILER SUPPORT BIG DREAM
I.3468	FUNDA TERMICA CALDERA 2GR BIG DREAM/BARISTA T	2GR BOILER THERMAL CASE BIG DREAM
I.3575	TUBO VALVULA SEGURIDAD CALDERA BARISTA T	BOILER SECURITY VALVE PIPE BARISTA T
I.3583	TUBO VALVULA DE SEGURIDAD CALDERA BARISTA T 1GR	SLEEVE 3000 1/8"
I.3809	TAPON 1/4 INOX	1/4 INOX CAP
I.3719	CALDERA 1GR BARISTA T	BOILER 1GR BARISTA T
I.4115	JUNTA INTERCAMBIADOR TEFLÓN	GASKET EXCHANGE
I.4116	TUERCA 1/4	1/4 NUT
I.4117	MANGUITO 1/8" INOX	1/8 INOX FITTING
I.4133	SONDA NIVEL BIG DREAM 114MM	LEVEL PROBE 114MM
I.4393	TUBO INTERCAMBIADOR BARISTA T 1GR	EXCHANGERTUBE BARISTA T 1GR
I.4394	FUNDA TÉRMICA CALDERA 1GR/ COMPACTA	BOILER THERMAL CASE 1GR/ COMPACTA
I.4413	CALDERA BARISTA T 2/3GR	BOILER BARISTA T 2/3GR
I.4414	TAPA CALDERA BARISTA T 2/3 GRUPOS	TOP BOILER BARISTA T 2 GROUPS
I.4431	RACOR 1/4H . 1/8M PARA TUBO ABOCARDADO	RACORD 1/4H . 1/8M FOR ABOARDER PIPE
I.4432	TAPA CAZOLETA VÁLVULA DE VACIO	BOILER SECURITY VALVE PIPE BARISTA T 1GR
I.4456	SONDA TEMPERATURA CALDERA VAPOR BARISTA T	STEAM BOILER TEMPERATURE PROBE BARISTA T
I.4584	CAZOLETA VALVULA VACIO BARISTA T 1/4"D60XH30MM/F14	TRAY WATER BOILER BARISTA T 1/4"D60XH30MM/F14
ESC473	CJTO CALDERA VAPOR BARISTA T ONE 2GR/3GR	ASSY BOILER BARISTA T ONE 2GR/3GR
ESC474	CJTO CALDERA VAPOR BARISTA T ONE 1GR	ASSY BOILER BARISTA T ONE 1GR
ESC498	CJTO CALDERA VAPOR BARISTA T PLUS 1GR	ASSY BOILER BARISTA T PLUS 1GR
ESC499	CJTO CALDERA VAPOR BARISTA T PLUS 2GR/3GR	ASSY BOILER BARISTA T PLUS 2GR/3GR



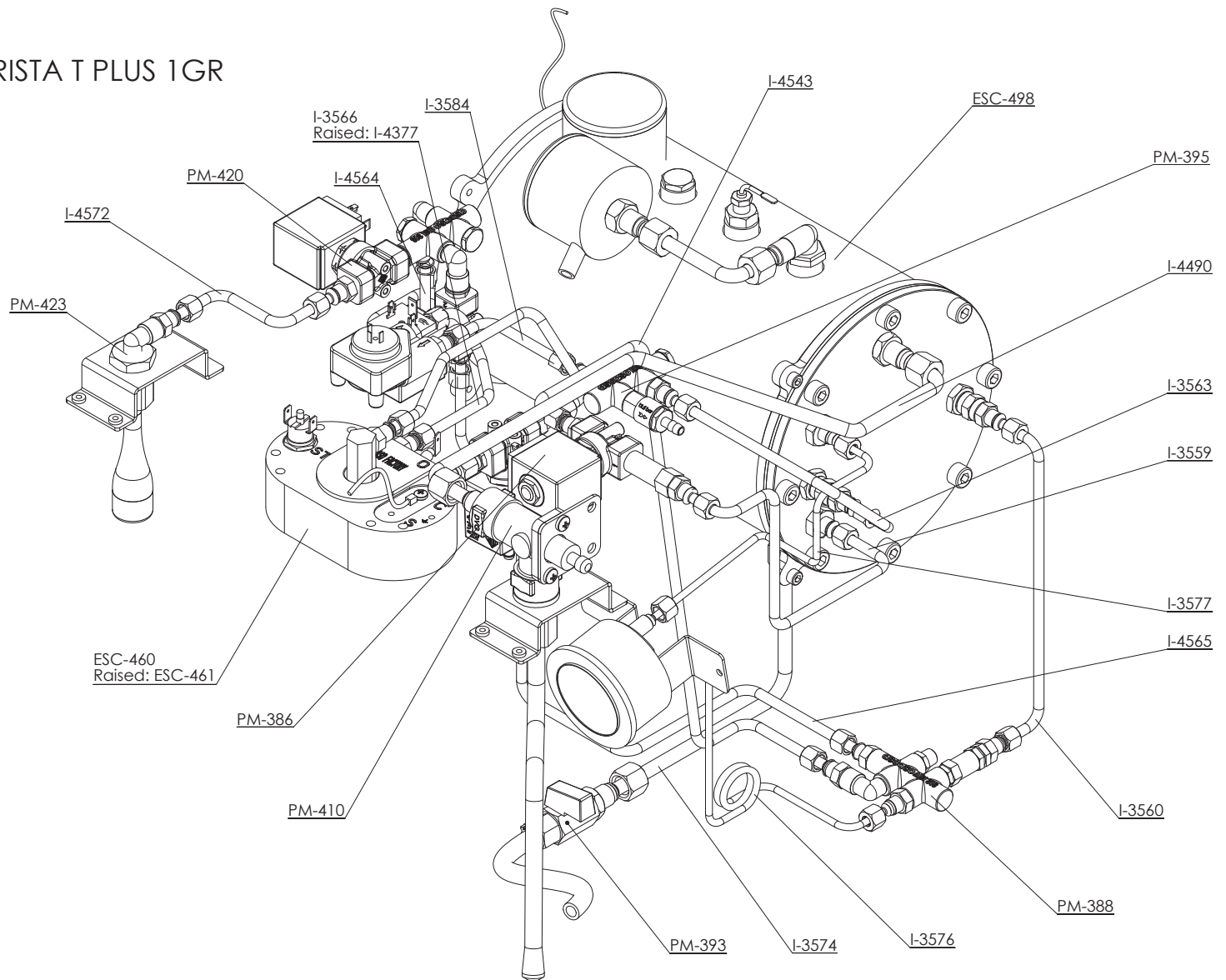


REF.	DESCRIPCIÓN	DESCRIPTION
I..126	TORNILLO ALLEN M8x15 INOX	SCREW DIN912 M8X15 A4
I..132	TORNILLO M5x8 INOX	SCREW M5X8 INOX
I..276	TUERCA M8 INOX	SCREW M8
I..990	VALVULA VACIO BAR 1/4	BAR EMPTY SOLENOID
I..991	VALVULA DE SEGURIDAD BAR	SAFETY BAR VALVE
I..994	TERMOSTATO SEGURIDAD 145°	SAFETY THERMOSTAT 145°
I.1143	CAZOLETA VALVULA VACIO	BAR TRAY WATER BOILER
I.1227	TORICA 37.69 x 3.53 SILICONA	O.RING 37.69 X 3.53 SILICONE
I.1233	ARANDELA GROWER M8 DIN 127/B INOX.	GROWER WASHER M8 DIN 127/B INOX.
I.1321	RESISTENCIA BARISTA 2GR 3500W.230V 13LIT. INOX	RESISTANCE 2GR. 3500W 14LT.
I.1371	TAPA PROTECTOR RESISTENCIA	RESISTANCE PROTECTOR LID
I.1632	TUERCA ESPECIAL RESISTENCIA INOX	RESISTANCE NUT
I.2361	RACOR INYECTOR 1/4". 1/8"	FITTING INJECTOR 1/4".1/8"
I.2364	RACOR CONTADOR VOLUMETRICO 1/8".1/8" INOX	"FITTING VOLUMETRIC CONTROL 1/8".1/8"
I.2365	RACOR CALDERA 1/4" INOX	BOILER FITTING 1/4" INOX
I.2415	RACOR CODO 1/4" AISI 316	RACOR CODO 1/4" AISI 316
I.3176	JUNTA TAPA CALDERA PTFE	PTFE BOLIER LID GASKET
I.3441	PRESOSTATO SIRAI 20A	PRESSURE SWITCH SIRAI 20A
I.3575	TUBO VALVULA DE SEGURIDAD CALDERA BARISTA T	BOILER SECURITY VALVE PIPE BARISTA T
I.3809	TAPON 1/4 INOX	CAP 1/4
I.4114	RACOR INTERCAMBIADOR	FITTING EXCHANGER
I.4115	JUNTA INTERCAMBIADOR TEFLÓN	GASKET EXCHANGER
I.4116	TUERCA 1/4 INOX	1/4 NUT
I.4117	MANGUITO 1/8" INOX	FITTING 1/8 INOX
I.4133	SONDA NIVEL BIG DREAM 114mm	LEVEL PROBE 114MM
I.4393	TUBO INTERCAMBIADOR BARISTA T	EXCHANGER PIPE BARISTA T
I.4413	CALDERA BARISTA T 2/3 GRUPOS	BARISTA T BOILER 2/3 GR
I.4414	TAPA CALDERA BARISTA T 2/3 GRUPOS	BOILER TAP BARISTA T 2/3 GR
I.4431	RACOR 1/4H . 1/8M PARA TUBO ABOCARDADO	RACORD 1/4H . 1/8M FOR ABOARDER PIPE
I.4432	TAPA CAZOLETA VALVULA VACIO	COVER CUP EMPTY VALVE
I.4584	CAZOLETA VALVULA VACIO BARISTA T 1/4"D60XH30MM/F14 "	EMPTY VALVE TRAY BARISTA T 1/4"D60XH30MM/F14 "
I.4652	TUBO PRESOSTATO BARISTA T ZERO	PRESSURE SWITCH PIPE BARISTA T ZERO
ESC485	CJTO CALDERA VAPOR BARISTA T ZERO 2GR/3GR	ASSY BOILER BARISTA T ZERO 2GR/3GR

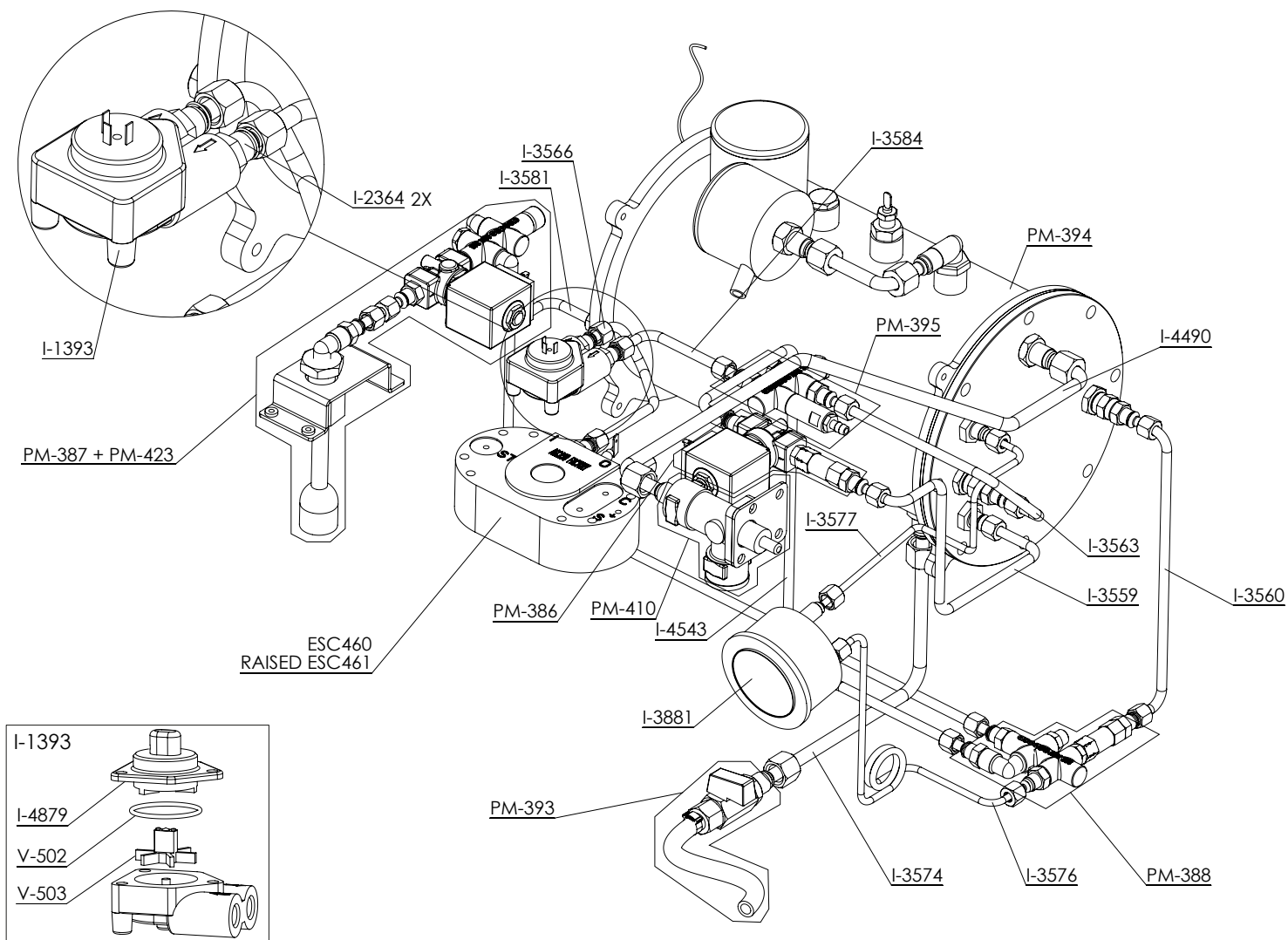


REF.	DESCRIPCIÓN	DESCRIPTION
ESC460	GRUPO INTERCAMBIADOR BARISTA T ONE/PLUS	THERMOBLOCK ASSY BARISTA T
ESC461	GRUPO INTERCAMBIADOR BARISTA T ONE/PLUS RAISED	THERMOBLOCK ASSY BARISTA T RAISED
ESC514	CONJUNTO CALDERA VAPOR BARISTA T PLUS 1GR 2020	STEAM BOILER ASSEMBLY BARISTA T PLUS 1GR 2020
I.3559	TUBO SALIDA EV LLENADO BARISTA T	FILLING SOLENOID EXIT PIPE BARISTA T
I.3566	TUBO ENTRADA GRUPO 1 BARISTA T	GROUP 1 ENTRY PIPE BARISTA T
I.3568	TUBO SALIDA GRUPO BARISTA T	GROUP EXIT PIPE BARISTA T
I.3574	TUBO VACIADO CALDERA BARISTA T	BOILER EMPTYING PIPE BARISTA T
I.3576	TUBO MANOMETRO GRUPO BARISTA T	MANOMETER TUBE GROUP BARISTA T
I.3577	TUBO MANOMETRO VAPOR BARISTA T	MANOMETER PIPE STEAM BARISTA T
I.3583	TUBO VALVULA DE SEGURIDAD CALDERA BARISTA T 1GR	BOILER SECURITY VALVE PIPE BARISTA T 1GR
I.3584	TUBO ENTRADA VOLUMETRICO BARISTA T 1GR	FLOWMETER ENTRY PIPE BARISTA T 1GR
I.4377	TUBO ENTRADA GRUPO 1 BARISTA T RAISED	GROUP 1 ENTRY PIPE BARISTA T RAISED
I.4490	TUBO VAPOR DERECHO BARISTA T PLUS	RIGHT STEAM PIPE BARISTA T PLUS
I.4543	TUBO ENTRADA ELECTROVALVULA LLENADO BARISTA T 1GR	FILLING SOLENOID ENTRY PIPE BARISTA T
I.4564	TUBO AGUA CALIENTE BARISTA T PLUS 1GR	HOT WATER PIPE BARISTA T PLUS 2GR
I.4565	TUBO AGUA FRIA BARISTA T PLUS 1GR	COLD WATER PIPE BARISTA T PLUS 1GR
I.4572	TUBO AGUA MEZCLADA BARISTA T PLUS 1GR	MIXED WATER PIPE BARISTA T PLUS 1GR
I.4709	TUBO SALIDA INTERCAMBIADOR CALDERA BARISTA T 2019	BOILER EXCHANGER EXIT PIPE BARISTA T
I.4710	TUBO ENTRADA INTERCAMBIADOR CALDERA BARISTA T 2019	BOILER EXCHANGER ENTRY PIPE BARISTA T 2019
I.5042	FLEXO AGUA FRIA 1/8 H 500MM	COLD WATER FLEXIBLE TUBE 1/8 H 500MM
PM.386	CONJUNTO ELECTROVALVULA LLENADO BARISTA T	FILL SOLENOID BARISTA T ASSEMBLY
PM.388	CONJUNTO DISTRIBUIDOR LLENADO BARISTA T PLUS	FILL DISTRIBUTOR BARISTA T PLUS
PM.393	GRIFO DESAGÜE BARISTA T	DRAIN TAP BARISTA T
PM.395	DISTRIBUIDOR VOLUMETRICOS BARISTA T 1GR	FLOWMETER DISTRIBUTOR BARISTA T 1GR
PM.410	VAPOR DERECHO BARISTA T PLUS	RIGHT STEAM BARISTA T PLUS
PM.420	CONJUNTO AGUA CALIENTE BARISTA T PLUS 1GR	HOT WATER BARISTA T PLUS 1GR
PM.423	SALIDA AGUA CALIENTE BARISTA T	HOT WATER OUTLET BARISTA T

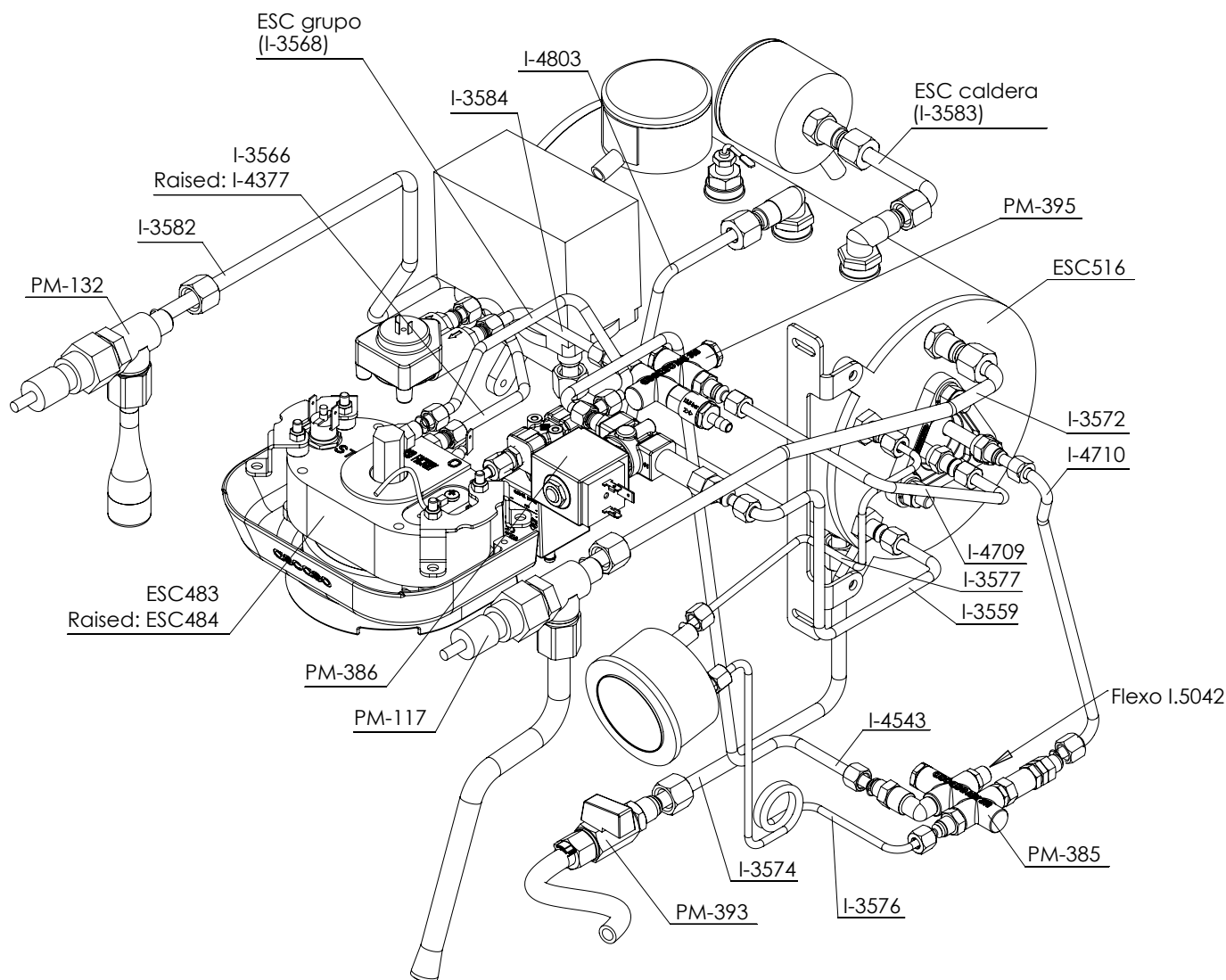
BARISTA T PLUS 1GR



REF.	DESCRIPCIÓN	DESCRIPTION
ESC460	GRUPO INTERCAMBIADOR BARISTA T ONE/PLUS	THERMOBLOCK ASSY BARISTA T
ESC461	GRUPO INTERCAMBIADOR BARISTA T ONE/PLUS RAISED	THERMOBLOCK ASSY BARISTA T RAISED
ESC498	CALDERA VAPOR BARISTA T PLUS 1GR	BOILER BARISTA T PLUS 1GR
I.3559	TUBO SALIDA EV LLENADO BARISTA T	FILLING SOLENOID EXIT PIPE BARISTA T
I.3560	TUBO ENTRADA INTERCAMBIADOR CALDERA BARISTA T	BOILER EXCHANGER ENTRY PIPE BARISTA T
I.3563	TUBO SALIDA INTERCAMBIADOR CALDERA BARISTA T	BOILER EXCHANGE EXIT PIPE BARISTA T
I.3566	TUBO ENTRADA GRUPO 1 BARISTA T	GROUP 1 ENTRY PIPE BARISTA T
I.3574	TUBO VACIADO CALDERA BARISTA T	BOILER EMPTYING PIPE BARISTA T
I.3576	TUBO MANOMETRO GRUPO BARISTA T	MANOMETER TUBE GROUP BARISTA T
I.3577	TUBO MANOMETRO VAPOR BARISTA T	MANOMETER PIPE STEAM BARISTA T
I.3584	TUBO ENTRADA VOLUMETRICO BARISTA T 1GR	FLOWMEWTER ENTRY PIPE BARISTA T 1GR
I.4377	TUBO ENTRADA GRUPO 1 BARISTA T RAISED	GROUP 1 ENTRY PIPE BARISTA T RAISED
I.4490	TUBO VAPOR DERECHO BARISTA T PLUS	RIGHT STEAM PIPE BARISTA T PLUS
I.4543	TUBO ENTRADA ELECTROVALVULA LLENADO BARISTA T 1GR	FILLING SOLENOID ENTRY PIPE BARISTA T
I.4564	TUBO AGUA CALIENTE BARISTA T PLUS 1GR	HOT WATER PIPE BARISTA T PLUS 2GR
I.4565	TUBO AGUA FRIA BARISTA T PLUS 1GR	COLD WATER PIPE BARISTA T PLUS 1GR
I.4572	TUBO AGUA MEZCLADA BARISTA T PLUS 1GR	MIXED WATER PIPE BARISTA T PLUS 1GR
PM.386	ELECTROVALVULA LLENADO BARISTA T	FILL SOLENOID BARISTA T ASSEMBLY
PM.388	CONJUNTO DISTRIBUIDOR LLENADO BARISTA T PLUS	FILL DISTRIBUTOR BARISTA T ONE
PM.393	GRIFO DESAGÜE BARISTA T	DRAIN TAP BARISTA T
PM.395	DISTRIBUIDOR VOLUMETRICOS BARISTA T 1GR	FLOWMETER DISTRIBUTOR BARISTA T 1GR
PM.410	VAPOR DERECHO BARISTA T PLUS	RIGHT STEAM BARISTA T PLUS
PM.420	AGUA CALIENTE BARISTA T PLUS 1GR	HOT WATER BARISTA T PLUS 1GR
PM.423	SALIDA AGUA CALIENTE BARISTA T	HOT WATER OUTLET BARISTA T

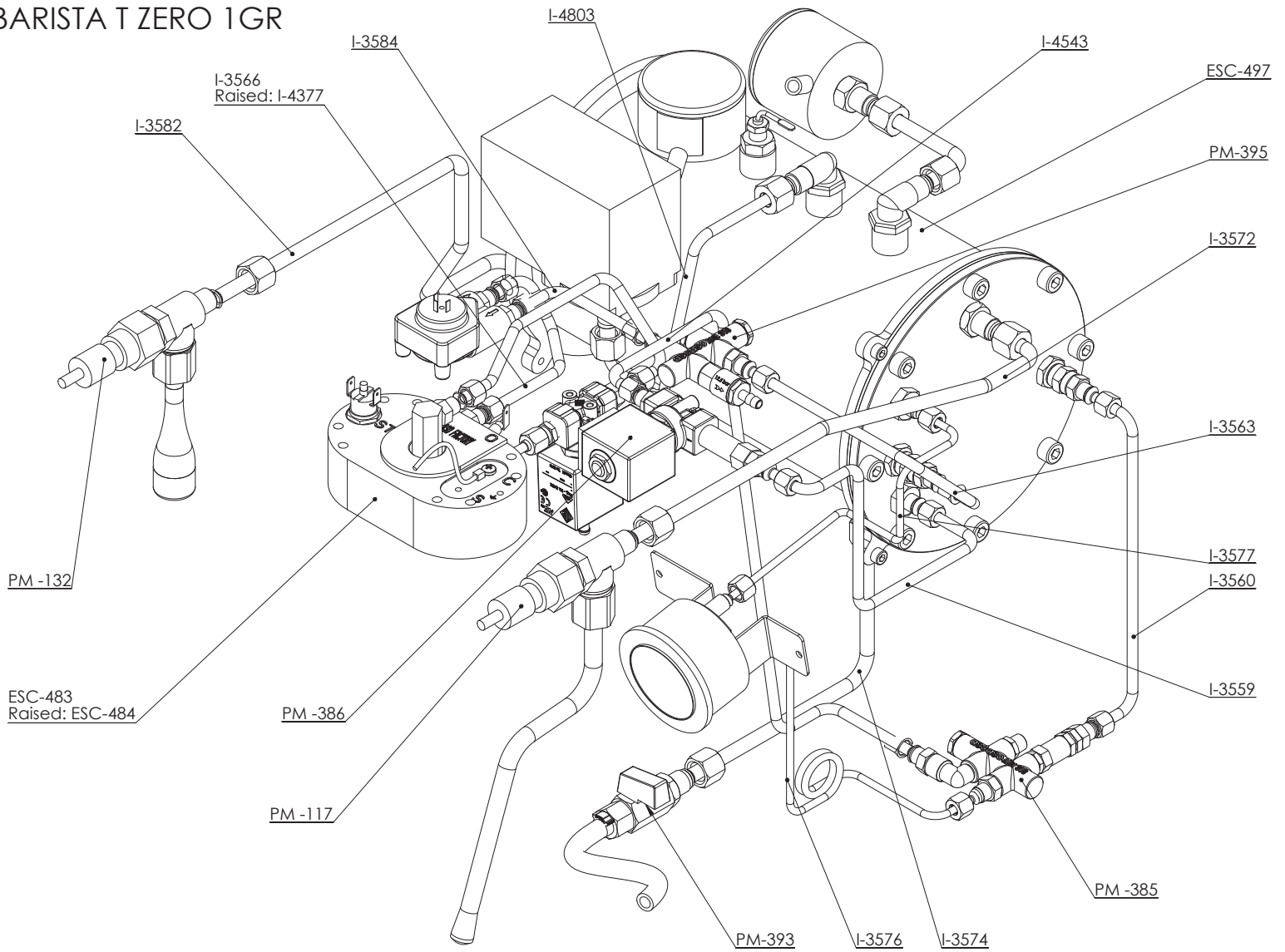


REF.	DESCRIPCIÓN	DESCRIPTION
ESC460	GRUPO INTERCAMBIADOR BARISTA T	THERMOBLOCK ASSEMBLY BARISTA T
ESC461	GRUPO INTERCAMBIADOR BARISTA T RAISED	THERMOBLOCK ASSEMBLY BARISTA T RAISED
I.1393	CONTADOR VOLUMÉTRICO 1/8	FLOWMETER 1/8
I.2364	RACOR CONTADOR VOLUMETRICO 1/8". 1/8"	FITTING VOLUMETRIC CONTROL 1/8". 1/8"
I.3559	TUBO SALIDA EV LLENADO BARISTA T	FILLING SOLENOID EXIT PIPE BARISTA T
I.3560	TUBO ENTRADA INTERCAMBIADOR CALDERA BARISTA T	BOILER EXCHANGER ENTRY PIPE BARISTA T
I.3563	TUBO SALIDA INTERCAMBIADOR CALDERA BARISTA T	BOILER EXCHANGE EXIT PIPE BARISTA T
I.3566	TUBO ENTRADA GRUPO 1 BARISTA T	GROUP 1 ENTRY PIPE BARISTA T
I.3574	TUBO VACIADO CALDERA BARISTA T	BOILER EMPTYING PIPE BARISTA T
I.3576	TUBO MANOMETRO GRUPO BARISTA T	MANOMETER TUBE GROUP BARISTA T
I.3577	TUBO MANÓMETRO VAPOR	MANOMETER PIPE STEAM
I.3581	TUBO AGUA CALIENTE BARISTA T PLUS 2GR	HOT WATER PIPE BARISTA T PLUS 2GR
I.3584	TUBO ENTRADA VOLUMETRICO BARISTA T 1GR	FLOWMETER ENTRY PIPE BARISTA T 1GR
I.3881	MANOMETRO DOBLE BARISTA 2016	DOUBLE MANOMETER BARISTA 2016
I.4490	TUBO VAPOR DERECHO BARISTA T PLUS	RIGHT STEAM PIPE BARISTA T PLUS
I.4543	TUBO ENTRADA EV LLENADO BARISTA T 1GR	FILLING SOLENOID ENTRY PIPE BARISTA T 1GR
I.4879	TAPA VOLUMETRICO BARISTA T	FLOWMETER LIP BARISTA T
PM.386	CONJUNTO EV LLENADO BARISTA T	ASSEMBLY FILL SOLENOID BARISTA T
PM.387	CJTO AGUA CALIENTE BARISTA T PLUS	ASSY HOT WATER BARISTA T PLUS
PM.388	CJTO. DISTRIBUIDOR LLENADO BARISTA T	ASSY. FILL DISTRIBUTOR BARISTA T
PM.393	CJTO GRIFO DESAGÜE BARISTA T	ASSEMBLY DRAIN TAP BARISTA T
PM.394	CJTO. CALDERA VAPOR BARISTA T 1GR	ASSY. STEAM BOILER BARISTA T 1GR
PM.395	CJTO. DISTRIBUIDOR VOLUMETRICOS BARISTA T	ASSY. FILL FLOWMETERS BARISTA T
PM.410	CJTO. VAPOR DERECHO BARISTA T PLUS	ASSY. RIGHT STEAM BARISTA T PLUS
PM.423	CJTO SALIDA AGUA CALIENTE BARISTA T PLUS	ASSY HOT WATER OUTLET BARISTA T PLUS
V.502	JUNTA VOLUMETRICO BIG DREAM	O.RING FLOWMETER BIG DREAM
V.503	ASPA VOLUMETRICO BIG DREAM	WHEEL FLOWMETER BIG DREAM

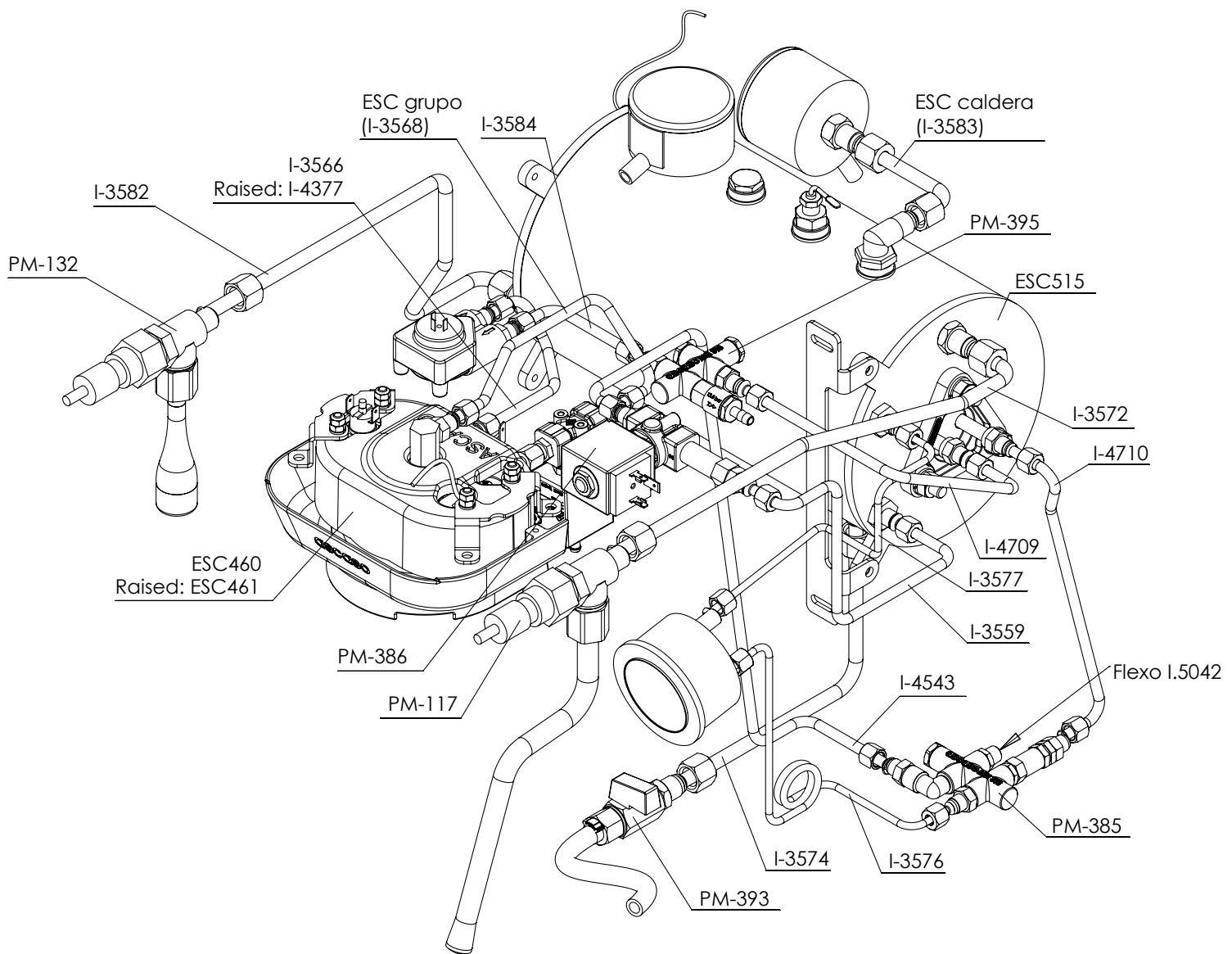


REF.	DESCRIPCIÓN	DESCRIPTION
ESC483	GRUPO INTERCAMBIADOR BARISTA T ZERO	THERMOBLOCK ASSY BARISTA T ZERO
ESC484	GRUPO INTERCAMBIADOR BARISTA T ZERO RAISED	THERMOBLOCK ASSY BARISTA T ZERO RAISED
ESC516	CONJUNTO CALDERA VAPOR BARISTA T ZERO 1GR 2020	STEAM BOILER ASSEMBLY BARISTA T ZERO 1GR 2020
I.3559	TUBO SALIDA EV LLENADO BARISTA T	FILLING SOLENOID EXIT PIPE BARISTA T
I.3566	TUBO ENTRADA GRUPO 1 BARISTA T	GROUP 1 ENTRY PIPE BARISTA T
I.3568	TUBO SALIDA GRUPO BARISTA T	GROUP EXIT PIPE BARISTA T
I.3572	TUBO VAPOR DERECHO BARISTA T ZERO/ONE	RIGHT STEAM PIPE BARISTA T ZERO/ONE
I.3574	TUBO VACIADO CALDERA BARISTA T	BOILER EMPTYING PIPE BARISTA T
I.3576	TUBO MANOMETRO GRUPO BARISTA T	MANOMETER TUBE GROUP BARISTA T
I.3577	TUBO MANOMETRO VAPOR BARISTA T	MANOMETER PIPE STEAM BARISTA T
I.3582	TUBO AGUA CALIENTE BARISTA T ONE 1GR	HOT WATER PIPE BARISTA T ONE 1GR
I.3583	TUBO VALVULA DE SEGURIDAD CALDERA BARISTA T 1GR	BOILER SECURITY VALVE PIPE BARISTA T 1GR
I.3584	TUBO ENTRADA VOLUMETRICO BARISTA T 1GR	FLOWMEWTER ENTRY PIPE BARISTA T 1GR
I.4377	TUBO ENTRADA GRUPO 1 BARISTA T RAISED	GROUP 1 ENTRY PIPE BARISTA T RAISED
I.4543	TUBO ENTRADA ELECTROVALVULA LLENADO BARISTA T 1GR	FILLING SOLENOID ENTRY PIPE BARISTA T
I.4709	TUBO SALIDA INTERCAMBIADOR CALDERA BARISTA T 2019	BOILER EXCHANGER EXIT PIPE BARISTA T
I.4710	TUBO ENTRADA INTERCAMBIADOR CALDERA BARISTA T 2019	BOILER EXCHANGER ENTRY PIPE BARISTA T 2019
I.4803	TUBO PRESOSTATO BARISTA T ZERO 1GR	PRESSURE SWITCH PIPE BARISTA T ZERO 1GR
I.5042	FLEXO AGUA FRIA 1/8 H 500MM	COLD WATER FLEXIBLE TUBE 1/8 H 500MM
PM.117	GRIFO VAPOR BARISTA	TAP STEAM BARISTA
PM.132	GRIFO AGUA BARISTA	WHOLE TAP WATER BARISTA
PM.385	CONJUNTO DISTRIBUIDOR LLENADO BARISTA T ONE/ZERO	FILL DISTRIBUTOR BARISTA T ONE/ZERO ASSEMBLY
PM.386	CONJUNTO ELECTROVALVULA LLENADO BARISTA T	FILL SOLENOID BARISTA T ASSEMBLY
PM.393	GRIFO DESAGÜE BARISTA T	DRAIN TAP BARISTA T
PM.395	DISTRIBUIDOR VOLUMETRICOS BARISTA T 1GR	FLOWMETER DISTRIBUTOR BARISTA T 1GR

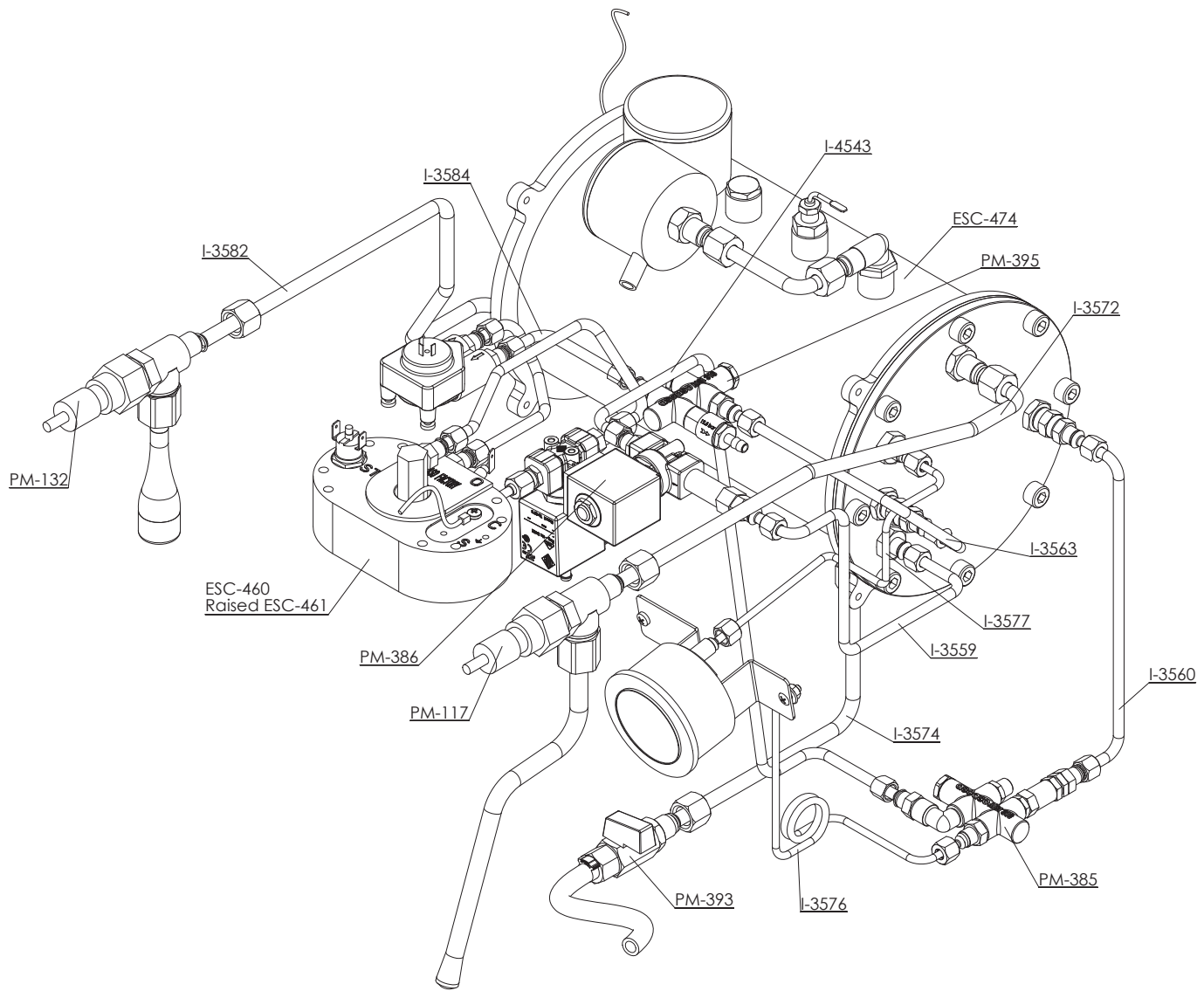
## BARISTA T ZERO 1GR



REF.	DESCRIPCIÓN	DESCRIPTION
ESC483	GRUPO INTERCAMBIADOR BARISTA T ZERO	THERMOBLOCK ASSY BARISTA T ZERO
ESC484	GRUPO INTERCAMBIADOR BARISTA T ZERO RAISED	THERMOBLOCK ASSY BARISTA T ZERO RAISED
ESC497	CONJUNTO CALDERA VAPOR BARISTA T ZERO 1GR	BOILER ASSEMBLY BARISTA T ZERO 1GR
I.3559	TUBO SALIDA EV LLENADO BARISTA T	FILLING SOLENOID EXIT PIPE BARISTA T
I.3560	TUBO ENTRADA INTERCAMBIADOR CALDERA BARISTA T	BOILER EXCHANGER ENTRY PIPE BARISTA T
I.3563	TUBO SALIDA INTERCAMBIADOR CALDERA BARISTA T	BOILER EXCHANGE EXIT PIPE BARISTA T
I.3566	TUBO ENTRADA GRUPO 1 BARISTA T	GROUP 1 ENTRY PIPE BARISTA T
I.3572	TUBO VAPOR DERECHO BARISTA T ONE	RIGHT STEAM PIPE BARISTA T ONE
I.3574	TUBO VACIADO CALDERA BARISTA T	BOILER EMPTYING PIPE BARISTA T
I.3576	TUBO MANOMETRO GRUPO BARISTA T	MANOMETER TUBE GROUP BARISTA T
I.3577	TUBO MANOMETRO VAPOR BARISTA T	MANOMETER PIPE STEAM BARISTA T
I.3582	TUBO AGUA CALIENTE BARISTA T ONE 1GR	HOT WATER PIPE BARISTA T ONE 1GR
I.3584	TUBO ENTRADA VOLUMETRICO BARISTA T 1GR	FLOWMETER ENTRY PIPE BARISTA T 1GR
I.4377	TUBO ENTRADA GRUPO 1 BARISTA T RAISED	GROUP 1 ENTRY PIPE BARISTA T RAISED
I.4543	TUBO ENTRADA ELECTROVALVULA LLENADO BARISTA T 1GR	FILLING SOLENOID ENTRY PIPE BARISTA T
I.4803	TUBO PRESOSTATO BARISTA T ZERO 1GR	PRESSURE SWITCH PIPE BARISTA T ZERO 1GR
PM.117	GRIFO VAPOR BARISTA	TAP STEAM BARISTA
PM.132	GRIFO AGUA BARISTA	WHOLE TAP WATER BARISTA
PM.385	CONJUNTO DISTRIBUIDOR LLENADO BARISTA T ONE/ZERO	FILL DISTRIBUTOR BARISTA T ONE/ZERO ASSEMBLY
PM.386	ELECTROVALVULA LLENADO BARISTA T	FILL SOLENOID BARISTA T ASSEMBLY
PM.393	GRIFO DESAGÜE BARISTA T	DRAIN TAP BARISTA T
PM.395	DISTRIBUIDOR VOLUMETRICOS BARISTA T 1GR	FLOWMETER DISTRIBUTOR BARISTA T 1GR



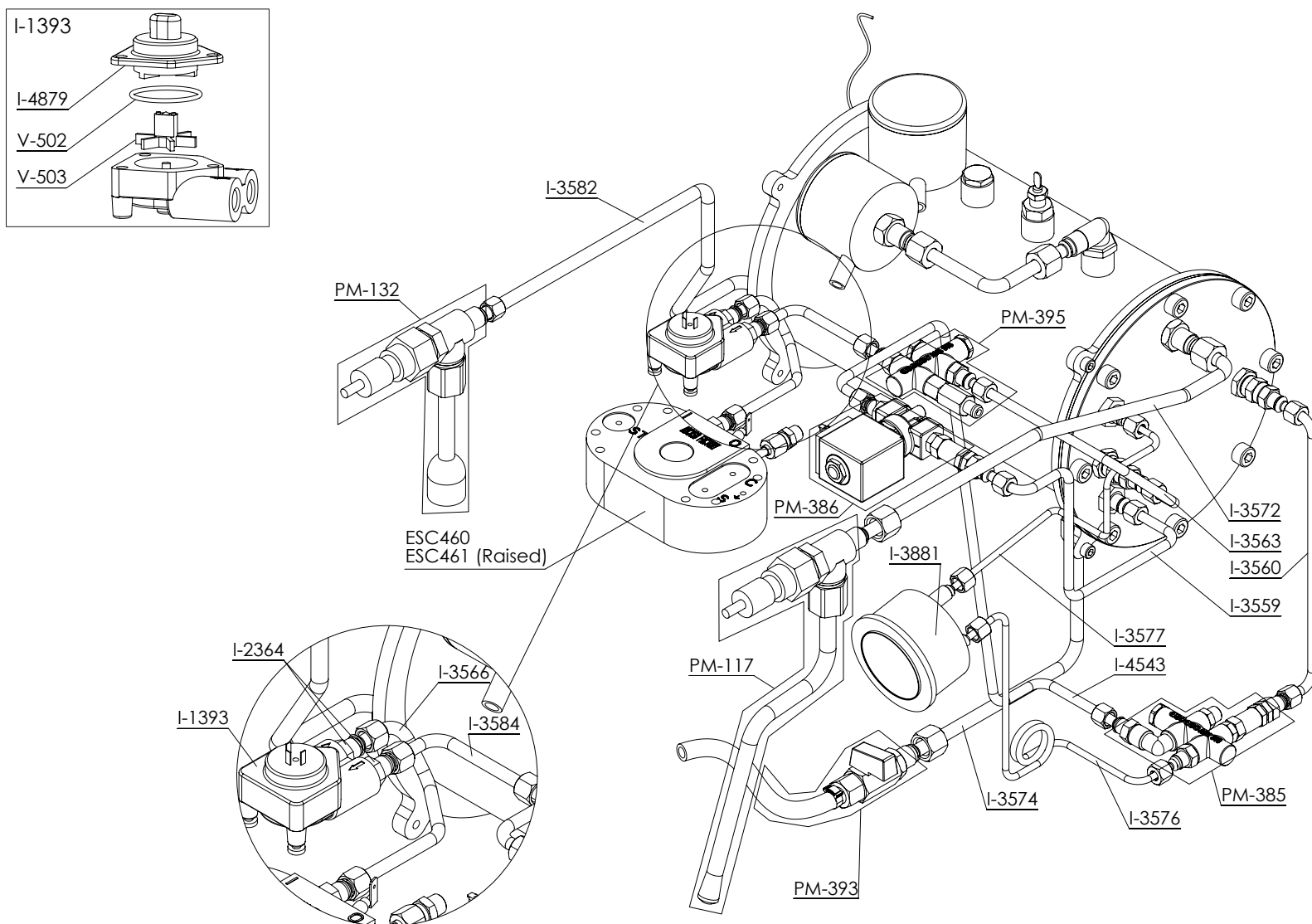
REF.	DESCRIPCIÓN	DESCRIPTION
ESC460	GRUPO INTERCAMBIADOR BARISTA T ONE/PLUS	THERMOBLOCK ASSY BARISTA T
ESC461	GRUPO INTERCAMBIADOR BARISTA T ONE/PLUS RAISED	THERMOBLOCK ASSY BARISTA T RAISED
ESC515	CONJUNTO CALDERA VAPOR BARISTA T ONE 1GR 2020	STEAM BOILER ASSEMBLY BARISTA T ONE 1GR 2020
I.3559	TUBO SALIDA EV LLENADO BARISTA T	FILLING SOLENOID EXIT PIPE BARISTA T
I.3566	TUBO ENTRADA GRUPO 1 BARISTA T	GROUP 1 ENTRY PIPE BARISTA T
I.3568	TUBO SALIDA GRUPO BARISTA T	GROUP EXIT PIPE BARISTA T
I.3572	TUBO VAPOR DERECHO BARISTA T ZERO/ONE	RIGHT STEAM PIPE BARISTA T ZERO/ONE
I.3574	TUBO VACIADO CALDERA BARISTA T	BOILER EMPTYING PIPE BARISTA T
I.3576	TUBO MANOMETRO GRUPO BARISTA T	MANOMETER TUBE GROUP BARISTA T
I.3577	TUBO MANOMETRO VAPOR BARISTA T	MANOMETER PIPE STEAM BARISTA T
I.3582	TUBO AGUA CALIENTE BARISTA T ONE 1GR	HOT WATER PIPE BARISTA T ONE 1GR
I.3583	TUBO VALVULA DE SEGURIDAD CALDERA BARISTA T 1GR	BOILER SECURITY VALVE PIPE BARISTA T 1GR
I.3584	TUBO ENTRADA VOLUMETRICO BARISTA T 1GR	FLOWMEWTER ENTRY PIPE BARISTA T 1GR
I.4377	TUBO ENTRADA GRUPO 1 BARISTA T RAISED	GROUP 1 ENTRY PIPE BARISTA T RAISED
I.4543	TUBO ENTRADA ELECTROVALVULA LLENADO BARISTA T 1GR	FILLING SOLENOID ENTRY PIPE BARISTA T
I.4709	TUBO SALIDA INTERCAMBIADOR CALDERA BARISTA T 2019	BOILER EXCHANGER EXIT PIPE BARISTA T
I.4710	TUBO ENTRADA INTERCAMBIADOR CALDERA BARISTA T 2019	BOILER EXCHANGER ENTRY PIPE BARISTA T 2019
I.4803	TUBO PRESOSTATO BARISTA T ZERO 1GR	PRESSURE SWITCH PIPE BARISTA T ZERO 1GR
I.5042	FLEXO AGUA FRIA 1/8 H 500MM	COLD WATER FLEXIBLE TUBE 1/8 H 500MM
PM.117	GRIFO VAPOR BARISTA	TAP STEAM BARISTA
PM.132	GRIFO AGUA BARISTA	WHOLE TAP WATER BARISTA
PM.385	CONJUNTO DISTRIBUIDOR LLENADO BARISTA T ONE/ZERO	FILL DISTRIBUTOR BARISTA T ONE/ZERO ASSEMBLY
PM.386	CONJUNTO ELECTROVALVULA LLENADO BARISTA T	FILL SOLENOID BARISTA T ASSEMBLY
PM.393	GRIFO DESAGÜE BARISTA T	DRAIN TAP BARISTA T
PM.395	DISTRIBUIDOR VOLUMETRICOS BARISTA T 1GR	FLOWMETER DISTRIBUTOR BARISTA T 1GR



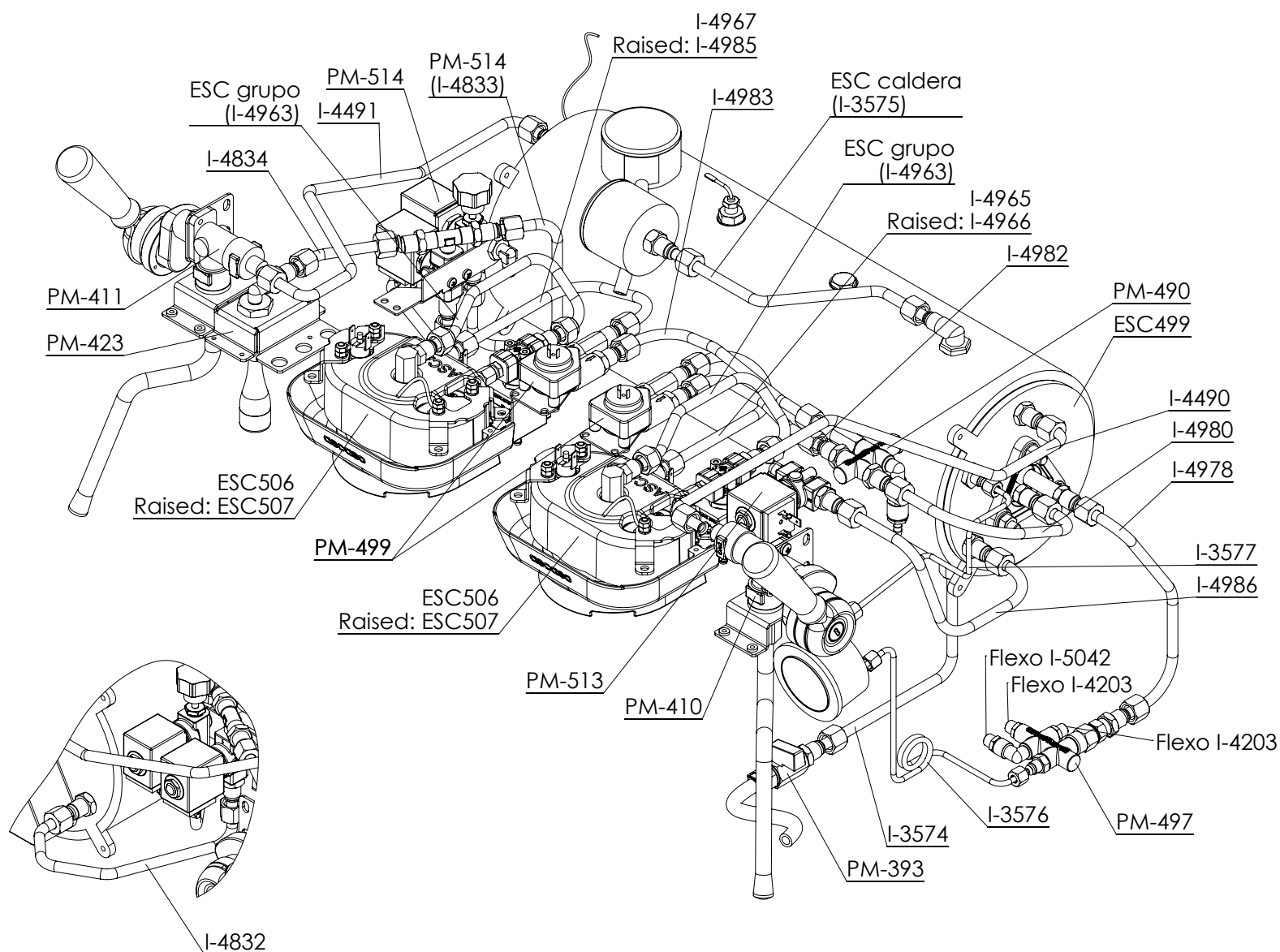
REF.	DESCRIPCIÓN
ESC460	GRUPO INTERCAMBIADOR BARISTA T ONE/PLUS
ESC461	GRUPO INTERCAMBIADOR BARISTA T ONE/PLUS RAISED
ESC474	CALDERA VAPOR BARISTA T ONE 1GR
I.3559	TUBO SALIDA EV LLENADO BARISTA T
I.3560	TUBO ENTRADA INTERCAMBIADOR CALDERA BARISTA T
I.3563	TUBO SALIDA INTERCAMBIADOR CALDERA BARISTA T
I.3572	TUBO VAPOR DERECHO BARISTA T ONE
I.3574	TUBO VACIADO CALDERA BARISTA T
I.3576	TUBO MANOMETRO GRUPO BARISTA T
I.3577	TUBO MANOMETRO VAPOR BARISTA T
I.3582	TUBO AGUA CALIENTE BARISTA T ONE 1GR
I.3584	TUBO ENTRADA VOLUMETRICOS BARISTA T 1GR
I.4543	TUBO ENTRADA ELECTROVALVULA LLENADO BARISTA T 1GR
PM.117	GRIFO VAPOR BARISTA
PM.132	GRIFO AGUA BARISTA
PM.385	CONJUNTO DISTRIBUIDOR LLENADO BARISTA T ONE/ZERO
PM.386	ELECTROVALVULA LLENADO BARISTA T
PM.393	GRIFO DESAGÜE BARISTA T
PM.395	DISTRIBUIDOR VOLUMETRICOS BARISTA T 1GR

DESCRIPTION
THERMOBLOCK ASSY BARISTA T
THERMOBLOCK ASSY BARISTA T RAISED
BOILER BARISTA T ONE 1GR
FILLING SOLENOID EXIT PIPE BARISTA T
BOILER EXCHANGER ENTRY PIPE BARISTA T
BOILER EXCHANGE EXIT PIPE BARISTA T
RIGHT STEAM PIPE BARISTA T ONE
BOILER EMPTYING PIPE BARISTA T
MANOMETER TUBE GROUP BARISTA T
MANOMETER PIPE STEAM BARISTA T
HOT WATER PIPE BARISTA T ONE 1GR
FLOWMETER ENTRY PIPE BARISTA T 1GR
FILLING SOLENOID ENTRY PIPE BARISTA T
TAP STEAM BARISTA
WHOLE TAP WATER BARISTA
FILL DISTRIBUTOR BARISTA T ONE/ZERO ASSEMBLY
FILL SOLENOID BARISTA T ASSEMBLY
DRAIN TAP BARISTA T
FLOWMETER DISTRIBUTOR BARISTA T 1GR

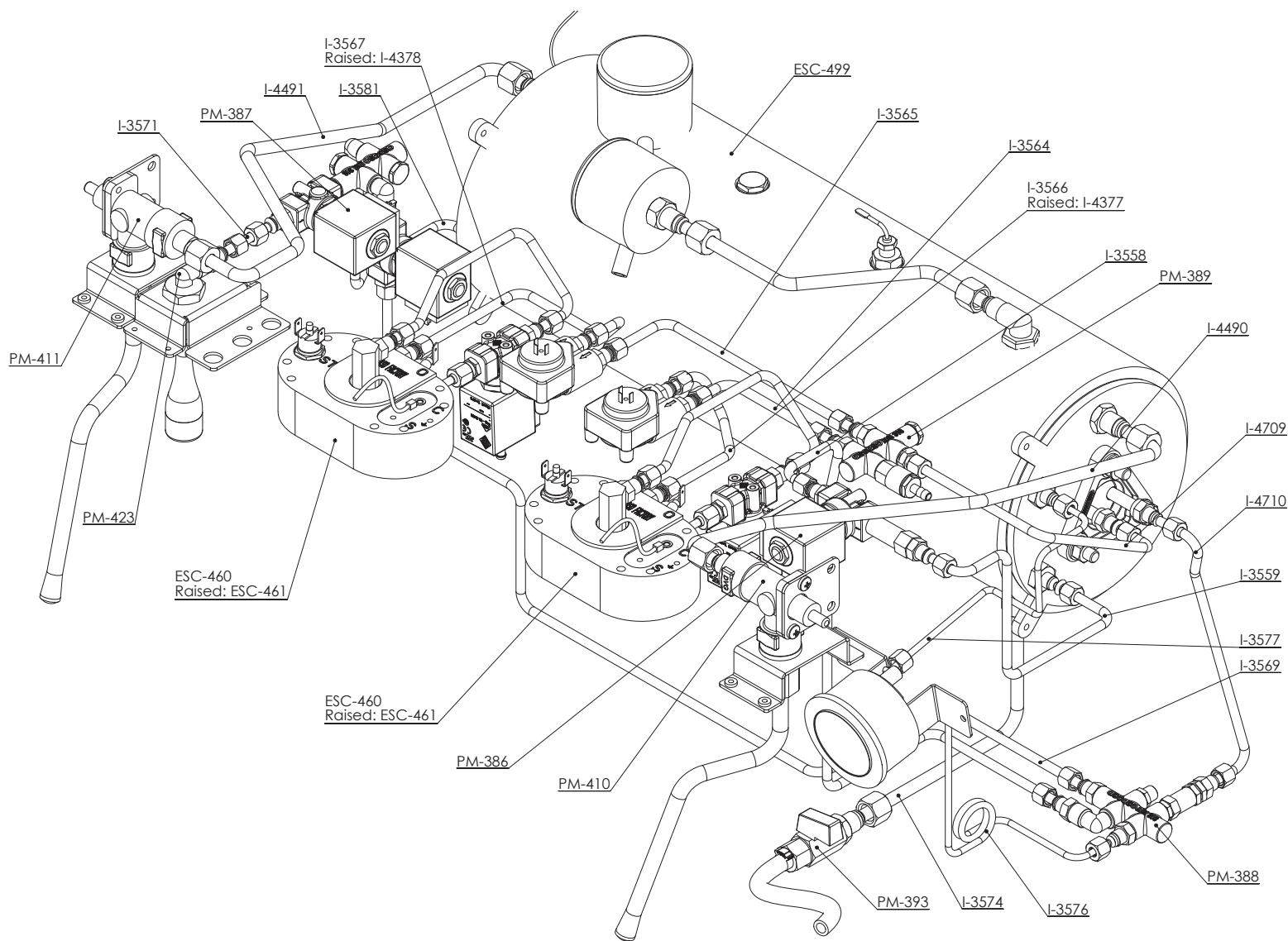




REF.	DESCRIPCIÓN	DESCRIPTION
ESC460	GRUPO INTERCAMBIADOR BARISTA T	THERMOBLOCK ASSEMBLY BARISTA T
ESC461	GRUPO INTERCAMBIADOR BARISTA T RASIED	THERMOBLOCK ASSEMBLY BARISTA T RAISED
I.1393	CONTADOR VOLUMÉTRICO 1/8	FLOWMETER 1/8
I.2364	RACOR CONTADOR VOLUMETRICO 1/8".1/8"	FITTING VOLUMETRIC CONTROL 1/8".1/8"
I.3559	TUBO SALIDA EV LLENADO BARISTA T	FILLING SOLENOID EXIT PIPE BARISTA T
I.3560	TUBO ENTRADA INTERCAMBIADOR CALDERA BARISTA T	BOILER EXCHANGER ENTRY PIPE BARISTA T
I.3563	TUBO SALIDA INTERCAMBIADOR CALDERA BARISTA T	BOILER EXCHANGE EXIT PIPE BARISTA T
I.3566	TUBO ENTRADA GRUPO 1 BARISTA T	GROUP 1 ENTRY PIPE BARISTA T
I.3572	TUBO VAPOR DERECHO	STEAM RIGHT PIPE
I.3574	TUBO VACIADO CALDERA BARISTA T	BOILER EMPTYING PIPE BARISTA T
I.3576	TUBO MANOMETRO GRUPO BARISTA T	MANOMETER TUBE GROUP BARISTA T
I.3577	TUBO MANÓMETRO VAPOR	MANOMETER PIPE STEAM
I.3582	TUBO AGUA CALIENTE BARISTA T ONE 1GR	HOT WATER PIPE BARISTA T ONE 1GR
I.3584	TUBO ENTRADA VOLUMETRICO BARISTA T 1GR	FLOWMETER ENTRY PIPE BARISTA T 1GR
I.3881	MANOMETRO DOBLE BARISTA 2016	DOUBLE MANOMETER BARISTA 2016
I.4543	TUBO ENTRADA EV LLENADO BARISTA T 1GR	FILLING SOLENOID ENTRY PIPE BARISTA T 1GR
I.4879	TAPA VOLUMETRICO BARISTA T	FLOWMETER LIP BARISTA T
PM.117	CONJUNTO GRIFO VAPOR BARISTA	ASSEMBLY STEAM TAP BARISTA
PM.132	CONJUNTO GRIFO VAPOR BARISTA	ASSEMBLY STEAM TAP BARISTA
PM.385	CJTO DISTRIBUIDOR LLENADO BARISTA T ONE	ASSY FILL DISTRIBUTOR BARISTA T ONE
PM.386	CONJUNTO EV LLENADO BARISTA T	ASSEMBLY FILL SOLENOID BARISTA T
PM.393	CJTO GRIFO DESAGÜE BARISTA T	ASSEMBLY DRAIN TAP BARISTA T
PM.395	CJTO. DISTRIBUIDOR VOLUMETRICOS BARISTA T	ASSY. FILL FLOWMETERS BARISTA T
V.502	JUNTA VOLUMETRICO BIG DREAM	O.RING FLOWMETER BIG DREAM
V.503	ASPA VOLUMETRICO BIG DREAM	WHEEL FLOWMETER BIG DREAM



REF.	DESCRIPCIÓN	DESCRIPTION
ESC499	CALDERA VAPOR BARISTA T PLUS 2GR/3GR	BOILER BARISTA T PLUS 2GR/3GR
ESC506	GRUPO INTERCAMBIADOR BARISTA T ONE/PLUS D.8	THERMOBLOCK ASSY BARISTA T D.8
ESC507	GRUPO INTERCAMBIADOR BARISTA T ONE/PLUS RAISED D.8	THERMOBLOCK ASSY BARISTA T RAISED D.8
I.3573	TUBO VAPOR IZQUIERDO BARISTA T ZERO/ONE 2GR	LEFT STEAM PIPE BARISTA T ZERO/ONE 2GR
I.3574	TUBO VACIADO CALDERA BARISTA T	BOILER EMPTYING PIPE BARISTA T
I.3576	TUBO MANOMETRO GRUPO BARISTA T	MANOMETER TUBE GROUP BARISTA T
I.3577	TUBO MANOMETRO VAPOR BARISTA T	MANOMETER PIPE STEAM BARISTA T
I.4203	FLEXO AGUA FRIA 1/8 H 2 GR 800MM BD/BT	FLEX COLD WATER 1/8 H 2GR (800MM)
I.4490	TUBO VAPOR DERECHO BARISTA T PLUS	RIGHT STEAM PIPE BARISTA T PLUS
I.4491	TUBO VAPOR IZQUIERDO BARISTA T PLUS 2GR	LEFT STEAM PIPE BARISTA T PLUS 2GR
I.4832	TUBO CALDERA A CONJUNTO REGULADOR BARISTA T 2 GRUP	BOILER TO REGULATOR ASSY PIPE BARISTA T 2 GROUPS
I.4833	TUBO ELECTROVALVULA REGULADORA BARISTA T	REGULATOR SOLENOID PIPE BARISTA T
I.4834	TUBO T REGULADORA A GRIFO BARISTA T	REGULATOR TO TAP PIPE BARISTA T
I.4963	TUBO SALIDA GRUPO BARISTA T D.8	GROUP EXIT PIPE BARISTA T D.8
I.4965	TUBO ENTRADA GRUPO 1 BARISTA T D.8	GROUP 1 ENTRY PIPE BARISTA T D.8
I.4966	TUBO ENTRADA GRUPO 1 BARISTA T RAISED D.8	GROUP 1 ENTRY PIPE BARISTA T RAISED D.8
I.4967	TUBO ENTRADA GRUPO 2 BARISTA T D.8	GROUP 2 ENTRY PIPE BARISTA T D.8
I.4978	TUBO ENTRADA INTERCAMBIADOR CALDERA BARISTA T 2019	BOILER EXCHANGER INLET PIPE BARISTA T 2019 D.8
I.4980	TUBO SALIDA INTERCAMBIADOR CALDERA BARISTA T 2019	BOILER EXCHANGER OUTLET PIPE BARISTA T 2019 D.8
I.4982	TUBO ENTRADA VOLUMETRICO 1 BARISTA T D.8	VOLUMETRIC 1 INLET PIPE BARISTA T D.8
I.4983	TUBO ENTRADA VOLUMETRICO 2 BARISTA T D.8	VOLUMETRIC 2 INLET PIPE BARISTA T D.8
I.4985	TUBO ENTRADA GRUPOS 2/3 BARISTA T RAISED D.8	GROUPS 2/3 INLET PIPE BARISTA T RAISED D.8
I.4986	TUBO SALIDA ELECTROVALVULA LLENADO BARISTA T D.8	FILL SOLENOID OUTLET PIPE BARISTA T D.8
I.5042	FLEXO AGUA FRIA 1/8 H 500MM	COLD WATER FLEXIBLE TUBE 1/8 H 500MM
PM.393	GRIFO DESAGÜE BARISTA T	DRAIN TAP BARISTA T
PM.410	VAPOR DERECHO BARISTA T PLUS	RIGHT STEAM BARISTA T PLUS
PM.411	VAPOR IZQUIERDO BARISTA T PLUS	LEFT STEAM BARISTA T PLUS
PM.423	SALIDA AGUA CALIENTE BARISTA T	HOT WATER OUTLET BARISTA T
PM.490	SISTEMA COMPLETO DISTRIBUIDOR VOLUMETRICOS BARISTA	FLOWMETER DISTRIBUTOR BARISTA T 2GR COMPACT
PM.497	CONJUNTO DISTRIBUIDOR LLENADO BARISTA T PLUS D.8	FILL DISTRIBUTOR BARISTA T PLUS ASSEMBLY D.8
PM.499	CONJUNTO VOLUMETRICO BARISTA T D.8	FLOWMETER ASSEMBLY BARISTA T D.8
PM.513	CONJUNTO ELECTROVALVULA LLENADO BARISTA T FLEXO	FILL SOLENOID BARISTA T ASEMBLY FLEX TUBE
PM.514	CONJUNTO MIXER EV REGULABLE BARISTA T PLUS	ADJUSTABLE SOLENOID VALVE MIXER ASSEMBLY BARISTA T

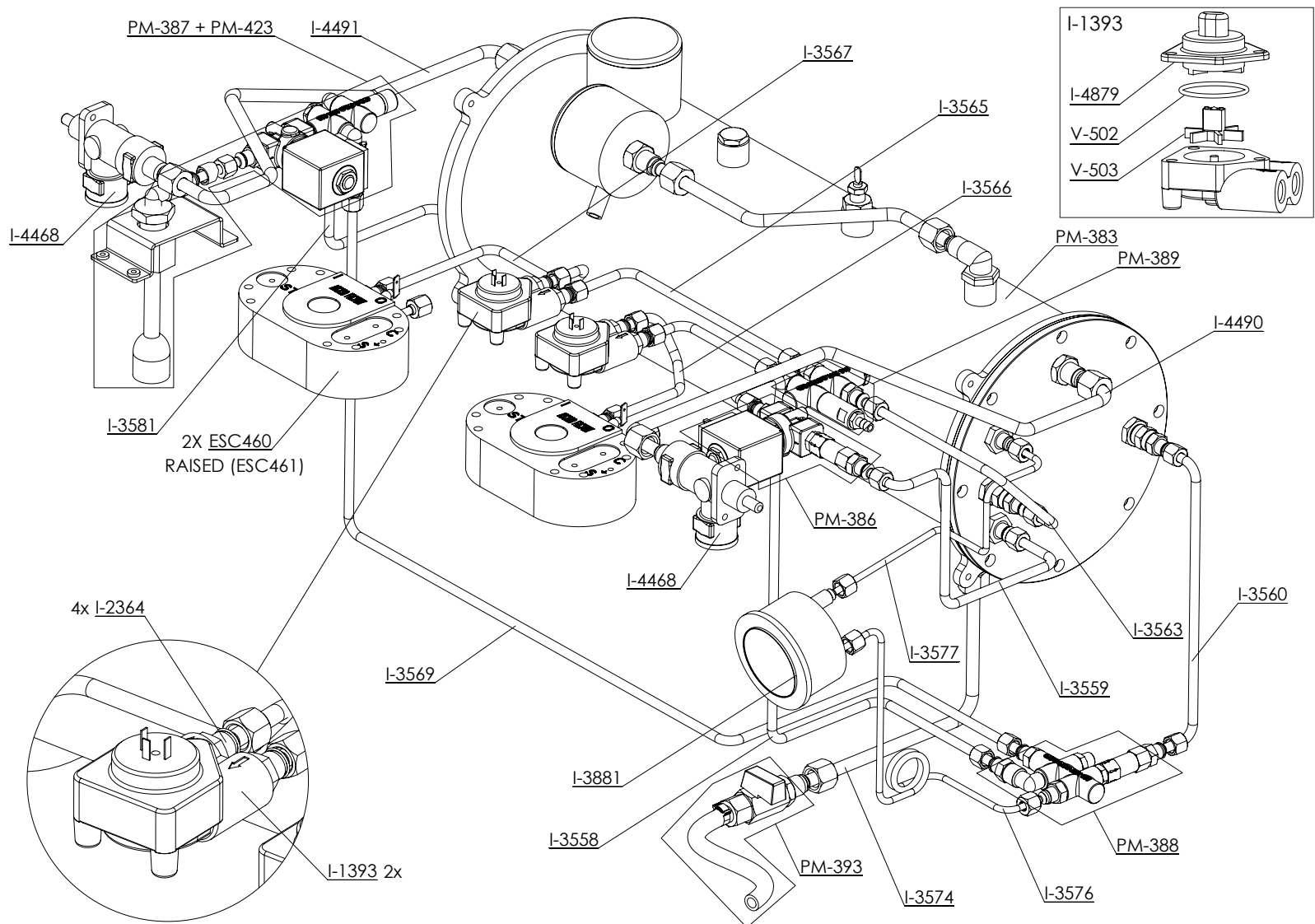


**REF. DESCRIPCIÓN**

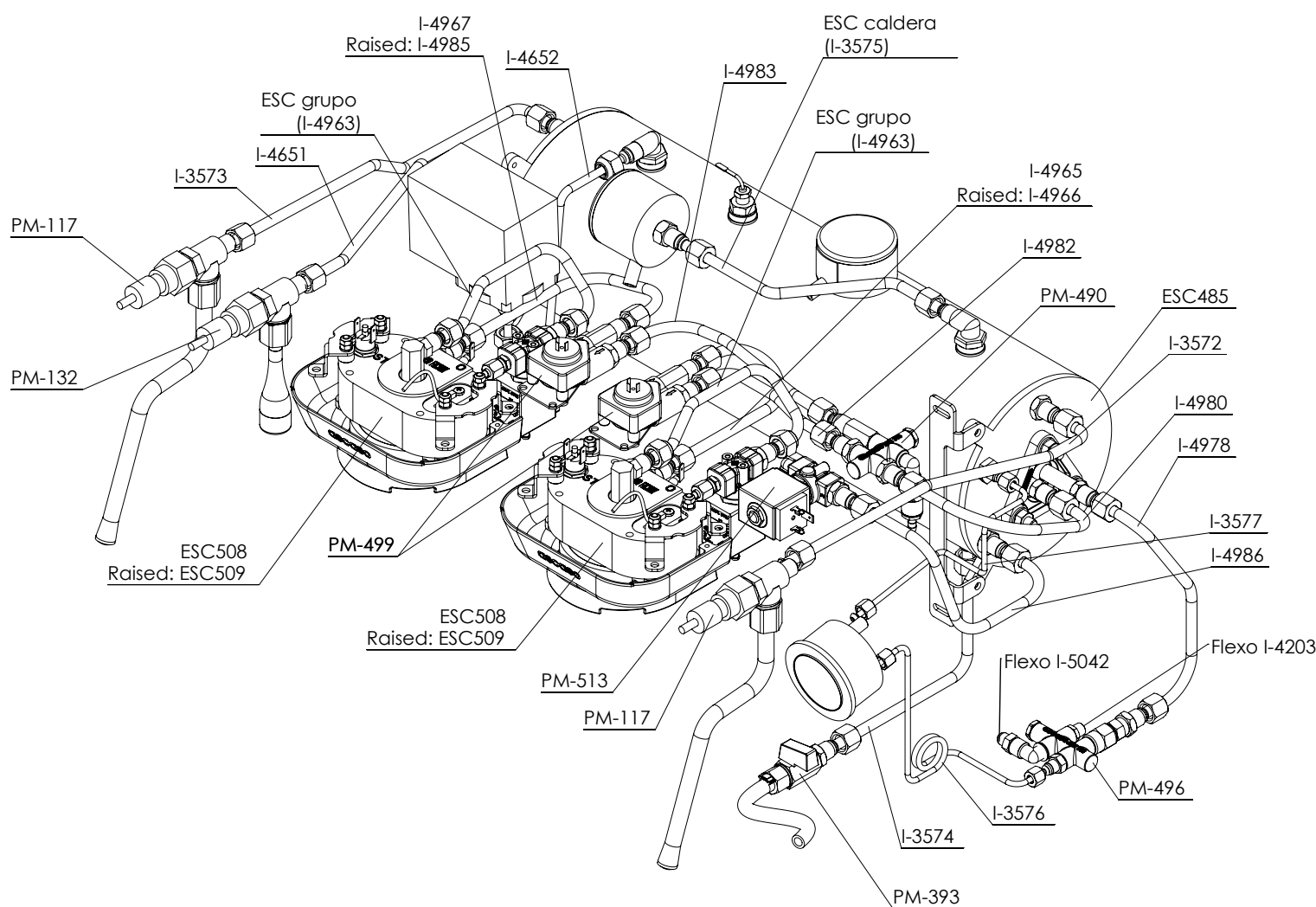
ESC460	GRUPO INTERCAMBIADOR BARISTA T ONE/PLUS
ESC461	GRUPO INTERCAMBIADOR BARISTA T ONE/PLUS RAISED
ESC499	CALDERA VAPOR BARISTA T PLUS 2GR/3GR
I.3558	TUBO ENTRADA ELECTROVALVULA LLENADO BARISTA T
I.3559	TUBO SALIDA EV LLENADO BARISTA T
I.3564	TUBO ENTRADA VOLUMETRICO 1 BARISTA T
I.3565	TUBO ENTRADA VOLUMETRICO 2 BARISTA T
I.3566	TUBO ENTRADA GRUPO 1 BARISTA T
I.3567	TUBO ENTRADA GRUPO 2 BARISTA T
I.3571	TUBO AGUA MEZCLADA BARISTA T
I.3574	TUBO VACIADO CALDERA BARISTA T
I.3576	TUBO MANOMETRO GRUPO BARISTA T
I.3577	TUBO MANOMETRO VAPOR BARISTA T
I.3578	TUBO AGUA CALIENTE BARISTA T PLUS 3GR
I.3579	TUBO AGUA FRIA BARISTA T PLUS 3GR
I.3580	TUBO ENTRADA VOLUMETRICO 3 BARISTA T
I.4377	TUBO ENTRADA GRUPO 1 BARISTA T RAISED
I.4378	TUBO ENTRADA GRUPOS 2/3 BARISTA T RAISED
I.4490	TUBO VAPOR DERECHO BARISTA T PLUS
I.4493	TUBO VAPOR IZQUIERDO BARISTA T PLUS 3GR
I.4709	TUBO SALIDA INTERCAMBIADOR CALDERA BARISTA T 2019
I.4710	TUBO ENTRADA INTERCAMBIADOR CALDERA BARISTA T 2019
PM.386	ELECTROVALVULA LLENADO BARISTA T
PM.387	AGUA CALIENTE BARISTA T PLUS
PM.388	CONJUNTO DISTRIBUIDOR LLENADO BARISTA T PLUS
PM.390	DISTRIBUIDOR VOLUMETRICOS BARISTA T 3GR
PM.393	GRIFO DESAGÜE BARISTA T
PM.410	VAPOR DERECHO BARISTA T PLUS
PM.411	VAPOR IZQUIERDO BARISTA T PLUS
PM.423	SALIDA AGUA CALIENTE BARISTA T

**DESCRIPTION**

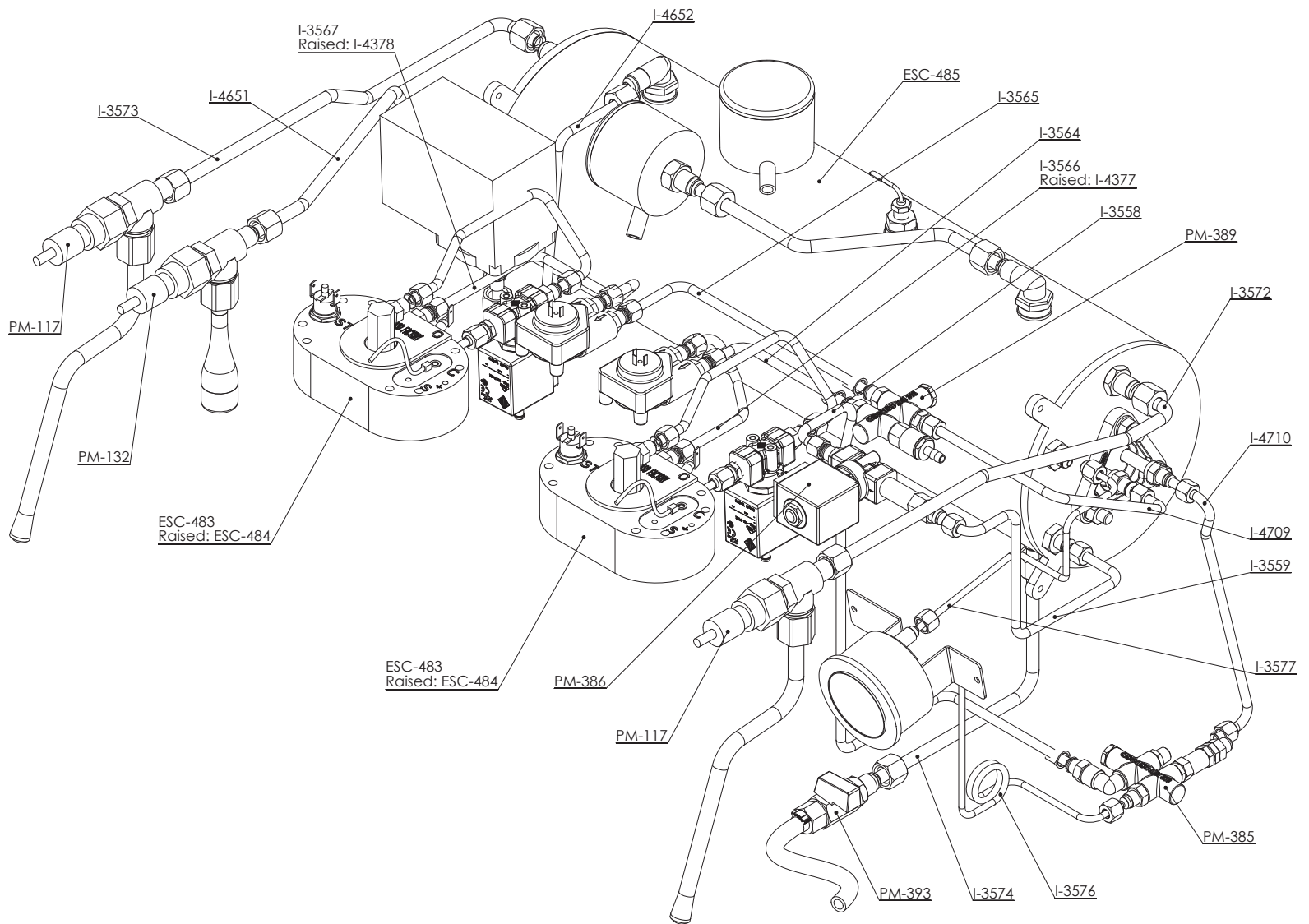
ESC460	THERMOBLOCK ASSY BARISTA T
ESC461	THERMOBLOCK ASSY BARISTA T RAISED
ESC499	BOILER BARISTA T PLUS 2GR/3GR
I.3558	FILLING SOLENOID ENTRY PIPE BARISTA T
I.3559	FILLING SOLENOID EXIT PIPE BARISTA T
I.3564	FLOWMETER 1 ENTRY PIPE BARISTA T
I.3565	FLOWMETER 2 ENTRY PIPE BARISTA T
I.3566	GROUP 1 ENTRY PIPE BARISTA T
I.3567	GROUP 2 ENTRY PIPE BARISTA T
I.3571	MIXED WATER PIPE BARISTA T
I.3574	BOILER EMPTYING PIPE BARISTA T
I.3576	MANOMETER TUBE GROUP BARISTA T
I.3577	MANOMETER PIPE STEAM BARISTA T
I.3578	HOT WATER PIPE BARISTA T PLUS 3GR
I.3579	COLD WATER PIPE BARISTA T PLUS 3GR
I.3580	FLOWMETER 2 ENTRY PIPE BARISTA T
I.4377	GROUP 1 ENTRY PIPE BARISTA T RAISED
I.4378	GROUPS 2/3 ENTRY PIPE BARISTA T RAISED
I.4490	RIGHT STEAM PIPE BARISTA T PLUS
I.4493	LEFT STEAM PIPE BARISTA T PLUS 3GR
I.4709	BOILER EXCHANGER EXIT PIPE BARISTA T
I.4710	BOILER EXCHANGER ENTRY PIPE BARISTA T 2019
PM.386	FILL SOLENOID BARISTA T ASSEMBLY
PM.387	HOT WATER BARISTA T PLUS
PM.388	FILL DISTRIBUTOR BARISTA T ONE
PM.390	FLOWMETER DISTRIBUTOR BARISTA T 3GR
PM.393	DRAIN TAP BARISTA T
PM.410	RIGHT STEAM BARISTA T PLUS
PM.411	LEFT STEAM BARISTA T PLUS
PM.423	HOT WATER OUTLET BARISTA T



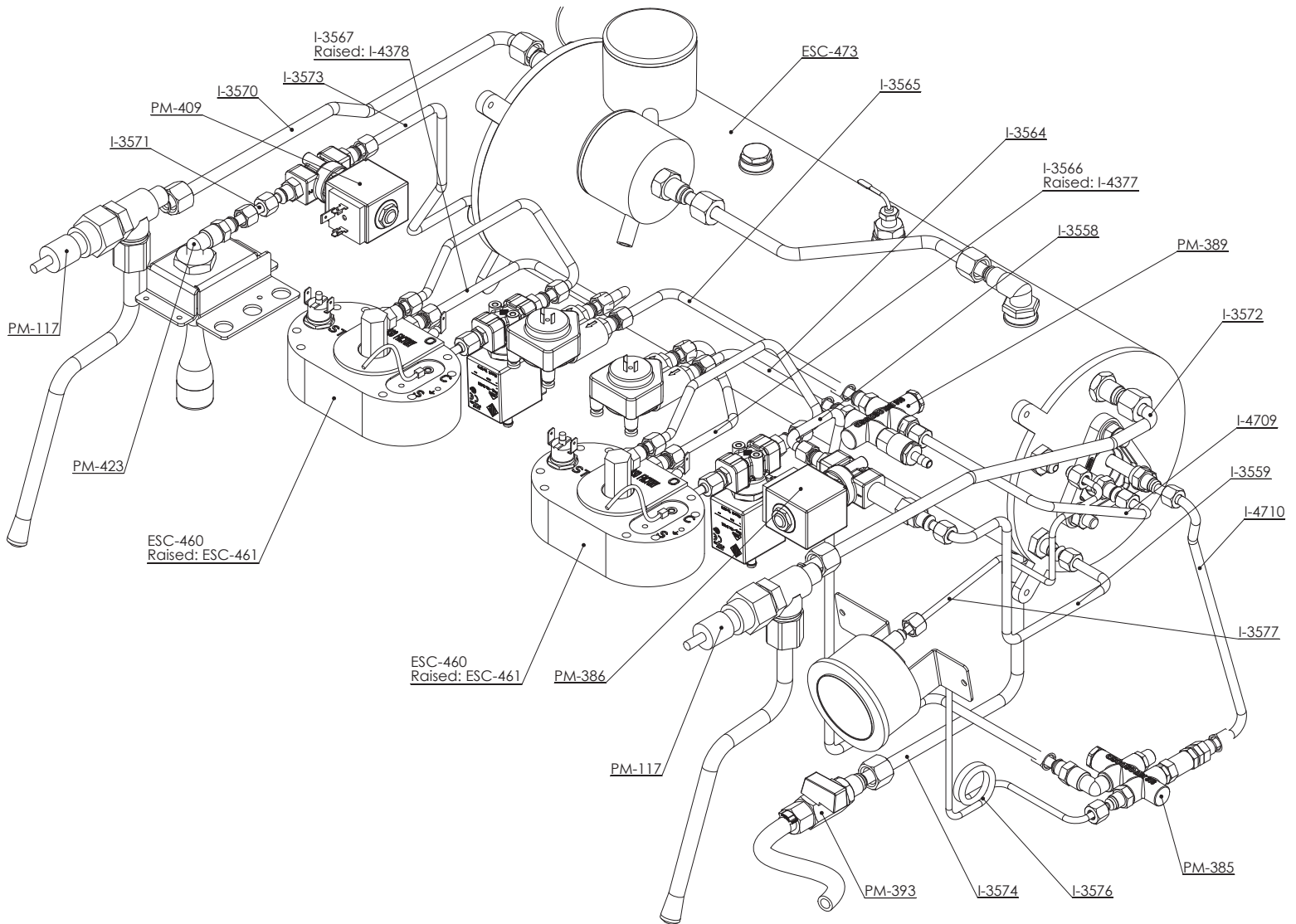
REF.	DESCRIPCIÓN	DESCRIPTION
ESC460	GRUPO INTERCAMBIADOR BARISTA T	THERMOBLOCK ASSEMBLY BARISTA T
ESC461	GRUPO INTERCAMBIADOR BARISTA T RAISED	THERMOBLOCK ASSEMBLY BARISTA T RAISED
I.1329	REJILLA BAR 2 GR	GRILL BAR 2 GR
I.1393	CONTADOR VOLUMÉTRICO 1/8	FLOWMETER 1/8
I.2364	RACOR CONTADOR VOLUMETRICO 1/8".1/8"	FITTING VOLUMETRIC CONTROL 1/8".1/8"
I.3558	TUBO ENTRADA EV LLENADO BARISTA T	FILLING SOLENOID ENTRY PIPE BARISTA T
I.3559	TUBO SALIDA EV LLENADO BARISTA T	FILLING SOLENOID EXIT PIPE BARISTA T
I.3560	TUBO ENTRADA INTERCAMBIADOR CALDERA BARISTA T	BOILER EXCHANGER ENTRY PIPE BARISTA T
I.3563	TUBO SALIDA INTERCAMBIADOR CALDERA BARISTA T	BOILER EXCHANGE EXIT PIPE BARISTA T
I.3564	TUBO ENTRADA VOLUMETRICO 1 BARISTA T	FLOWMETER 1 ENTRY PIPE BARISTA T
I.3565	TUBO ENTRADA VOLUMETRICO 2 BARISTA T	FLOWMETER 2 ENTRY PIPE BARISTA T
I.3566	TUBO ENTRADA GRUPO 1 BARISTA T	GROUP 1 ENTRY PIPE BARISTA T
I.3567	TUBO ENTRADA GRUPO 2 BARISTA T	GROUP 2 ENTRY PIPE BARISTA T
I.3569	TUBO AGUA FRIA BARISTA T PLUS 2GR	COLD WATER PIPE BARISTA T PLUS 2GR
I.3574	TUBO VACIADO CALDERA BARISTA T	BOILER EMPTYING PIPE BARISTA T
I.3576	TUBO MANOMETRO GRUPO BARISTA T	MANOMETER TUBE GROUP BARISTA T
I.3577	TUBO MANÓMETRO VAPOR	MANOMETER PIPE STEAM
I.3581	TUBO AGUA CALIENTE BARISTA T PLUS 2GR	HOT WATER PIPE BARISTA T PLUS 2GR
I.3881	MANOMETRO DOBLE BARISTA 2016	DOUBLE MANOMETER BARISTA 2016
I.4490	TUBO VAPOR DERECHO BARISTA T PLUS	RIGHT STEAM PIPE BARISTA T PLUS
I.4491	TUBO VAPOR IZQUIERDO BARISTA T 2GR	LEFT STEAM PIPE BARISTA T 2GR
I.4879	TAPA VOLUMETRICO BARISTA T	FLOWMETER LIP BARISTA T
PM.383	CJTO. CALDERA VAPOR BARISTA T 2GR/3GR	ASSEMBLY BOILER BARISTA T 2GR/3GR
PM.386	CONJUNTO EV LLENADO BARISTA T	ASSEMBLY FILL SOLENOID BARISTA T
PM.387	CJTO AGUA CALIENTE BARISTA T PLUS	ASSY HOT WATER BARISTA T PLUS
PM.388	ASSY. LEFT STEAM BARISTA T PLUS	ASSY FILL DISTRIBUTOR BARISTA T ONE
PM.389	CJTO DISTRIBUIDOR VOLUMETRICOS BARISTA T 2GR	ASSY FLOWMETER DISTRIBUTOR BARISTA T 2GR
PM.393	CJTO GRIFO DESAGÜE BARISTA T	ASSEMBLY DRAIN TAP BARISTA T
PM.410	CJTO VAPOR DERECHO BARISTA T PLUS	ASSY. RIGHT STEAM BARISTA T PLUS
PM.411	CJTO VAPOR IZQUIERDO BARISTA T PLUS	ASSY. LEFT STEAM BARISTA T PLUS
PM.423	CJTO SALIDA AGUA CALIENTE BARISTA T PLUS	ASSY HOT WATER OUTLET BARISTA T PLUS
V.502	JUNTA VOLUMETRICO BIG DREAM	O.RING FLOWMETER BIG DREAM
V.503	ASPAS VOLUMETRICO BIG DREAM	WHEEL FLOWMETER BIG DREAM



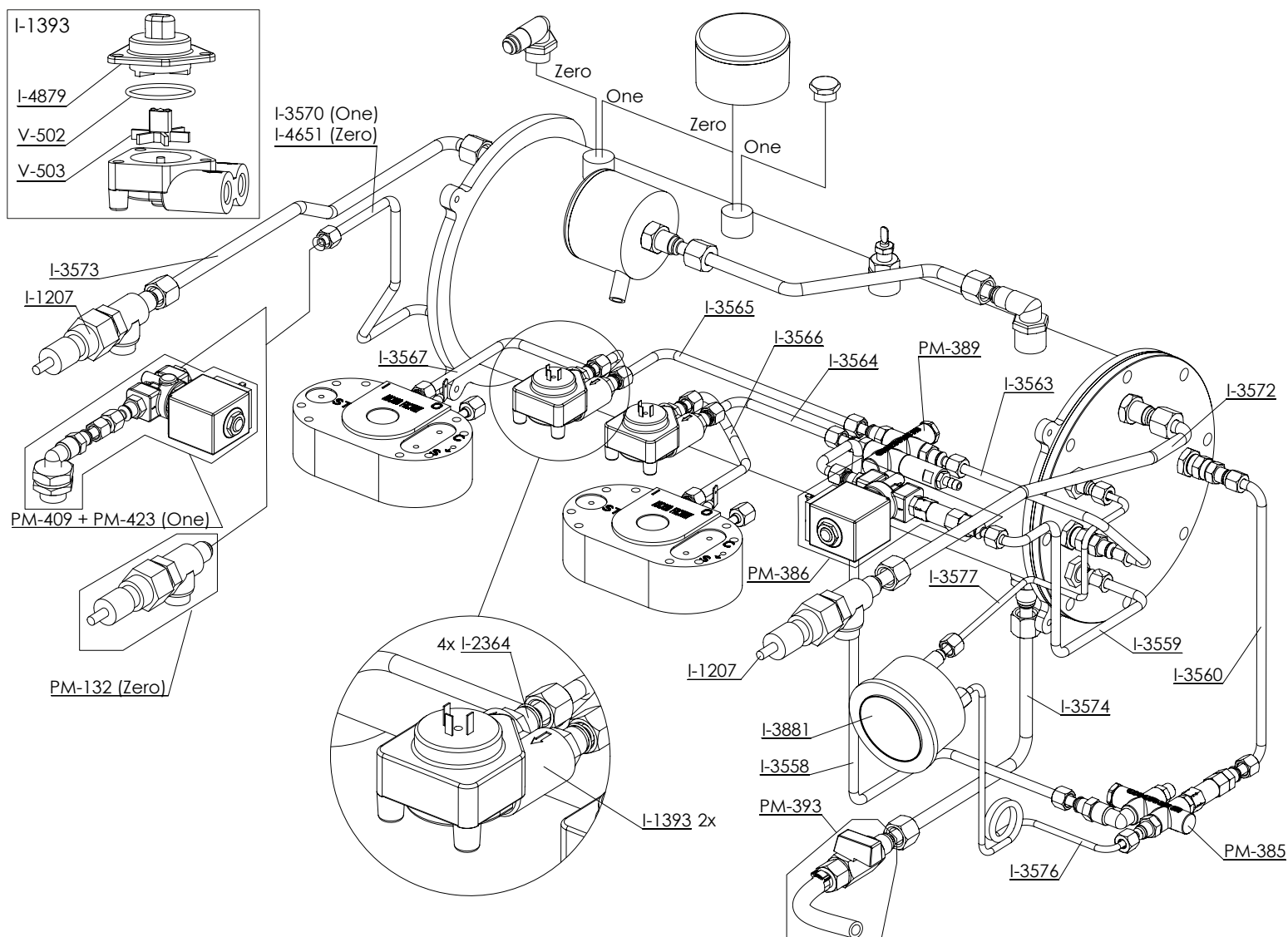
REF.	DESCRIPCIÓN	DESCRIPTION
ESC485	CALDERA VAPOR BARISTA T ZERO 2GR	BOILER BARISTA T ZERO 2GR
ESC508	GRUPO INTERCAMBIADOR BARISTA T ZERO D.8	THERMOBLOCK ASSEMBLY BARISTA T ZERO D.8
ESC509	GRUPO INTERCAMBIADOR BARISTA T ZERO RAISED D.8	THERMOBLOCK ASSY BARISTA T ZERO RAISED D.8
I.3572	TUBO VAPOR DERECHO BARISTA T ZERO/ONE	RIGHT STEAM PIPE BARISTA T ZERO/ONE
I.3573	TUBO VAPOR IZQUIERDO BARISTA T ZERO/ONE 2GR	LEFT STEAM PIPE BARISTA T ZERO/ONE 2GR
I.3574	TUBO VACIADO CALDERA BARISTA T	BOILER EMPTYING PIPE BARISTA T
I.3575	TUBO VALVULA DE SEGURIDAD CALDERA BARISTA T	BOILER SECURITY VALVE PIPE BARISTA T
I.3576	TUBO MANOMETRO GRUPO BARISTA T	MANOMETER TUBE GROUP BARISTA T
I.3577	TUBO MANOMETRO VAPOR BARISTA T	MANOMETER PIPE STEAM BARISTA T
I.4203	FLEXO AGUA FRIA 1/8 H 2 GR 800MM BD/BT	FLEX COLD WATER 1/8 H 2GR (800MM)
I.4651	TUBO AGUA CALIENTE BARISTA T ZERO 2 GRUPOS	HOT WATER PIPE BARISTA T ZERO 2GR
I.4652	TUBO PRESOSTATO BARISTA T ZERO 2GR	PRESSURE SWITCH PIPE BARISTA T ZERO 2GR
I.4963	TUBO SALIDA GRUPO BARISTA T D.8	GROUP EXIT PIPE BARISTA T D.8
I.4965	TUBO ENTRADA GRUPO 1 BARISTA T D.8	GROUP 1 ENTRY PIPE BARISTA T D.8
I.4966	TUBO ENTRADA GRUPO 1 BARISTA T RAISED D.8	GROUP 1 ENTRY PIPE BARISTA T RAISED D.8
I.4967	TUBO ENTRADA GRUPO 2 BARISTA T D.8	GROUP 2 ENTRY PIPE BARISTA T D.8
I.4978	TUBO ENTRADA INTERCAMBIADOR CALDERA BARISTA T 2019	BOILER EXCHANGER INLET PIPE BARISTA T 2019 D.8
I.4980	TUBO SALIDA INTERCAMBIADOR CALDERA BARISTA T 2019	BOILER EXCHANGER OUTLET PIPE BARISTA T 2019 D.8
I.4982	TUBO ENTRADA VOLUMETRICO 1 BARISTA T D.8	VOLUMETRIC 1 INLET PIPE BARISTA T D.8
I.4983	TUBO ENTRADA VOLUMETRICO 2 BARISTA T D.8	VOLUMETRIC 2 INLET PIPE BARISTA T D.8
I.4985	TUBO ENTRADA GRUPOS 2/3 BARISTA T RAISED D.8	GROUPS 2/3 INLET PIPE BARISTA T RAISED D.8
I.4986	TUBO SALIDA ELECTROVALVULA LLENADO BARISTA T D.8	FILL SOLENOID OUTLET PIPE BARISTA T D.8
I.5042	FLEXO AGUA FRIA 1/8 H 500MM	COLD WATER FLEXIBLE TUBE 1/8 H 500MM
PM.117	GRIFO VAPOR BARISTA	TAP STEAM BARISTA
PM.132	GRIFO AGUA BARISTA	WHOLE TAP WATER BARISTA
PM.393	GRIFO DESAGÜE BARISTA T	DRAIN TAP BARISTA T
PM.490	SISTEMA COMPLETO DISTRIBUIDOR VOLUMETRICOS BARISTA	FLOWMETER DISTRIBUTOR BARISTA T 2GR COMPACT
PM.496	CONJUNTO DISTRIBUIDOR LLENADO BARISTA T ONE/ZERO D	FILL DISTRIBUTOR BARISTA T ONE/ZERO ASSEMBLY D.8
PM.499	CONJUNTO VOLUMETRICO BARISTA T D.8	FLOWMETER ASSEMBLY BARISTA T D.8
PM.513	CONJUNTO ELECTROVALVULA LLENADO BARISTA T FLEXO	FILL SOLENOID BARISTA T ASEMBLY FLEX TUBE



REF.	DESCRIPCIÓN	DESCRIPTION
ESC483	GRUPO INTERCAMBIADOR BARISTA T ZERO	THERMOBLOCK ASSY BARISTA T ZERO
ESC484	GRUPO INTERCAMBIADOR BARISTA T ZERO RAISED	THERMOBLOCK ASSY BARISTA T ZERO RAISED
ESC485	CALDERA VAPOR BARISTA T ZERO 2GR/3GR	BOILER BARISTA T ZERO 2GR/3GR
I.3558	TUBO ENTRADA ELECTROVALVULA LLENADO BARISTA T	FILLING SOLENOID ENTRY PIPE BARISTA T
I.3559	TUBO SALIDA EV LLENADO BARISTA T	FILLING SOLENOID EXIT PIPE BARISTA T
I.3564	TUBO ENTRADA VOLUMETRICO 1 BARISTA T	FLOWMETER 1 ENTRY PIPE BARISTA T
I.3565	TUBO ENTRADA VOLUMETRICO 2 BARISTA T	FLOWMETER 2 ENTRY PIPE BARISTA T
I.3566	TUBO ENTRADA GRUPO 1 BARISTA T	GROUP 1 ENTRY PIPE BARISTA T
I.3567	TUBO ENTRADA GRUPO 2 BARISTA T	GROUP 2 ENTRY PIPE BARISTA T
I.3572	TUBO VAPOR DERECHO BARISTA T ONE	RIGHT STEAM PIPE BARISTA T ONE
I.3573	TUBO VAPOR IZQUIERDO BARISTA T ONE 2GR	LEFT STEAM PIPE BARISTA T ONE 2GR
I.3574	TUBO VACIADO CALDERA BARISTA T	BOILER EMPTYING PIPE BARISTA T
I.3576	TUBO MANOMETRO GRUPO BARISTA T	MANOMETER TUBE GROUP BARISTA T
I.3577	TUBO MANOMETRO VAPOR BARISTA T	MANOMETER PIPE STEAM BARISTA T
I.4377	TUBO ENTRADA GRUPO 1 BARISTA T RAISED	GROUP 1 ENTRY PIPE BARISTA T RAISED
I.4378	TUBO ENTRADA GRUPOS 2/3 BARISTA T RAISED	GROUPS 2/3 ENTRY PIPE BARISTA T RAISED
I.4651	TUBO AGUA CALIENTE BARISTA T ZERO 2 GRUPOS	HOT WATER PIPE BARISTA T ZERO 2 GR
I.4652	TUBO PRESOSTATO BARISTA T ZERO 2GR	PRESSURE SWITCH PIPE BARISTA T ZERO 2GR
I.4709	TUBO SALIDA INTERCAMBIADOR CALDERA BARISTA T 2019	BOILER EXCHANGER EXIT PIPE BARISTA T
I.4710	TUBO ENTRADA INTERCAMBIADOR CALDERA BARISTA T 2019	BOILER EXCHANGER ENTRY PIPE BARISTA T 2019
PM.117	GRIFO VAPOR BARISTA	TAP STEAM BARISTA
PM.132	GRIFO AGUA BARISTA	WHOLE TAP WATER BARISTA
PM.385	CONJUNTO DISTRIBUIDOR LLENADO BARISTA T ONE/ZERO	FILL DISTRIBUTOR BARISTA T ONE/ZERO ASSEMBLY
PM.386	ELECTROVALVULA LLENADO BARISTA T	FILL SOLENOID BARISTA T ASSEMBLY
PM.389	DISTRIBUIDOR VOLUMETRICOS BARISTA T 2GR	FLOWMETER DISTRIBUTOR BARISTA T 2GR
PM.393	GRIFO DESAGÜE BARISTA T	DRAIN TAP BARISTA T

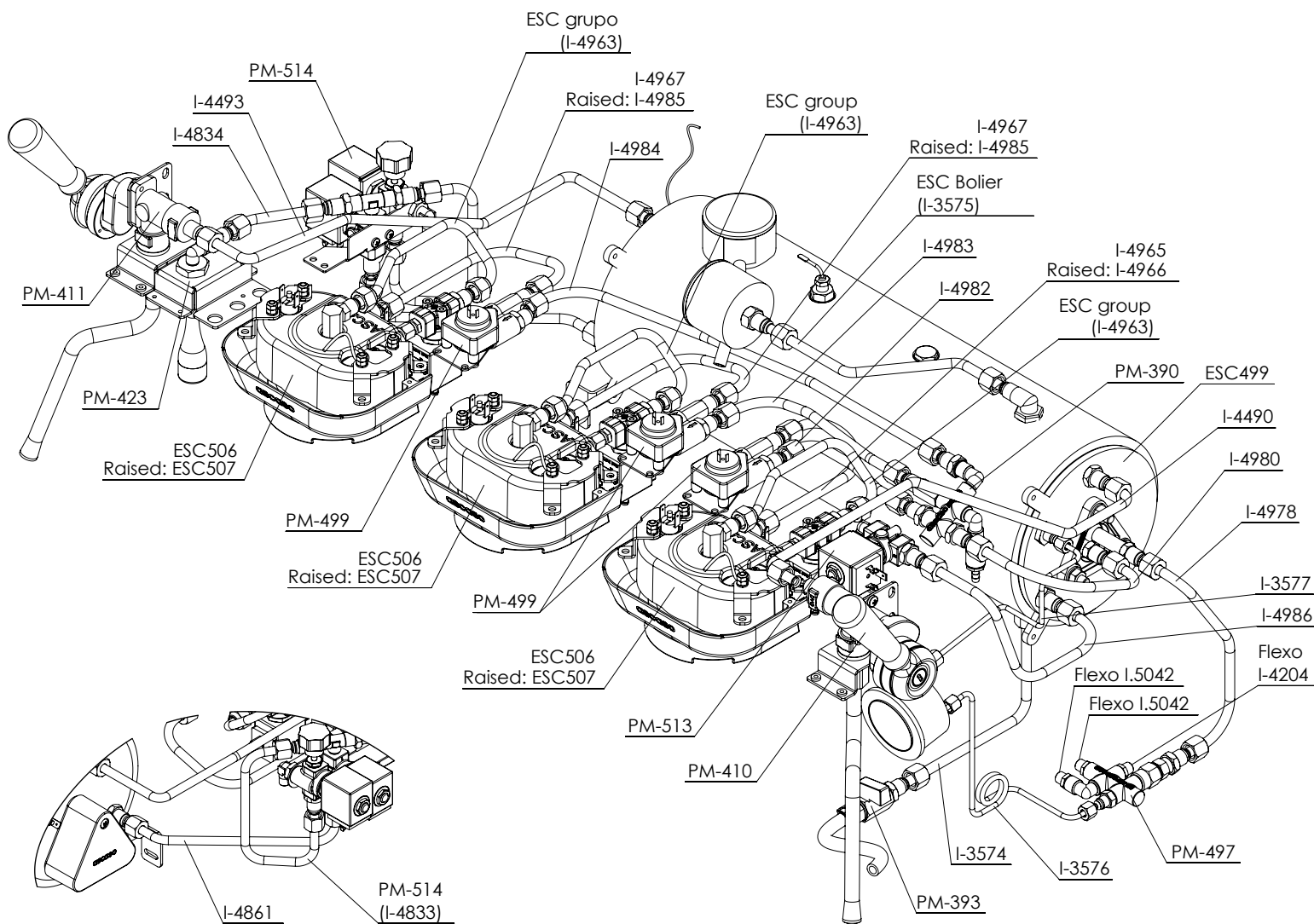


REF.	DESCRIPCIÓN	DESCRIPTION
ESC460	GRUPO INTERCAMBIADOR BARISTA T ONE/PLUS	THERMOBLOCK ASSY BARISTA T
ESC461	GRUPO INTERCAMBIADOR BARISTA T ONE/PLUS RAISED	THERMOBLOCK ASSY BARISTA T RAISED
ESC473	CALDERA VAPOR BARISTA T ONE 2GR/3GR	BOILER BARISTA T ONE 2GR/3GR
I.3558	TUBO ENTRADA ELECTROVALVULA LLENADO BARISTA T	FILLING SOLENOID ENTRY PIPE BARISTA T
I.3559	TUBO SALIDA EV LLENADO BARISTA T	FILLING SOLENOID EXIT PIPE BARISTA T
I.3564	TUBO ENTRADA VOLUMETRIC 1 BARISTA T	FLOWMEWTER 1 ENTRY PIPE BARISTA T
I.3565	TUBO ENTRADA VOLUMETRIC 2 BARISTA T	FLOWMETER 2 ENTRY PIPE BARISTA T
I.3566	TUBO ENTRADA GRUPO 1 BARISTA T	GROUP 1 ENTRY PIPE BARISTA T
I.3567	TUBO ENTRADA GRUPO 2 BARISTA T	GROUP 2 ENTRY PIPE BARISTA T
I.3570	TUBO AGUA CALIENTE BARISTA T ONE 2GR	HOT WATER PIPE BARISTA T ONE 2GR
I.3571	TUBO AGUA MEZCLADA BARISTA T	MIXED WATER PIPE BARISTA T
I.3572	TUBO VAPOR DERECHO BARISTA T ONE	RIGHT STEAM PIPE BARISTA T ONE
I.3573	TUBO VAPOR IZQUIERDO BARISTA T ONE 2GR	LEFT STEAM PIPE BARISTA T ONE 2GR
I.3574	TUBO VACIADO CALDERA BARISTA T	BOILER EMPTYING PIPE BARISTA T
I.3576	TUBO MANOMETRO GRUPO BARISTA T	MANOMETER TUBE GROUP BARISTA T
I.3577	TUBO MANOMETRO VAPOR BARISTA T	MANOMETER PIPE STEAM BARISTA T
I.4377	TUBO ENTRADA GRUPO 1 BARISTA T RAISED	GROUP 1 ENTRY PIPE BARISTA T RAISED
I.4378	TUBO ENTRADA GRUPOS 2/3 BARISTA T RAISED	GROUPS 2/3 ENTRY PIPE BARISTA T RAISED
I.4709	TUBO SALIDA INTERCAMBIADOR CALDERA BARISTA T 2019	BOILER EXCHANGER EXIT PIPE BARISTA T
I.4710	TUBO ENTRADA INTERCAMBIADOR CALDERA BARISTA T 2019	BOILER EXCHANGER ENTRY PIPE BARISTA T 2019
PM.117	GRIFO VAPOR BARISTA	TAP STEAM BARISTA
PM.385	CONJUNTO DISTRIBUIDOR LLENADO BARISTA T ONE/ZERO	FILL DISTRIBUTOR BARISTA T ONE/ZERO ASSEMBLY
PM.386	ELECTROVALVULA LLENADO BARISTA T	FILL SOLENOID BARISTA T ASSEMBLY
PM.389	DISTRIBUIDOR VOLUMETRICOS BARISTA T 2GR	FLOWMETER DISTRIBUTOR BARISTA T 2GR
PM.393	GRIFO DESAGÜE BARISTA T	DRAIN TAP BARISTA T
PM.409	AGUA CALIENTE BARISTA T ONE	HOT WATER BARISTA T ONE
PM.423	SALIDA AGUA CALIENTE BARISTA T	HOT WATER OUTLET BARISTA T

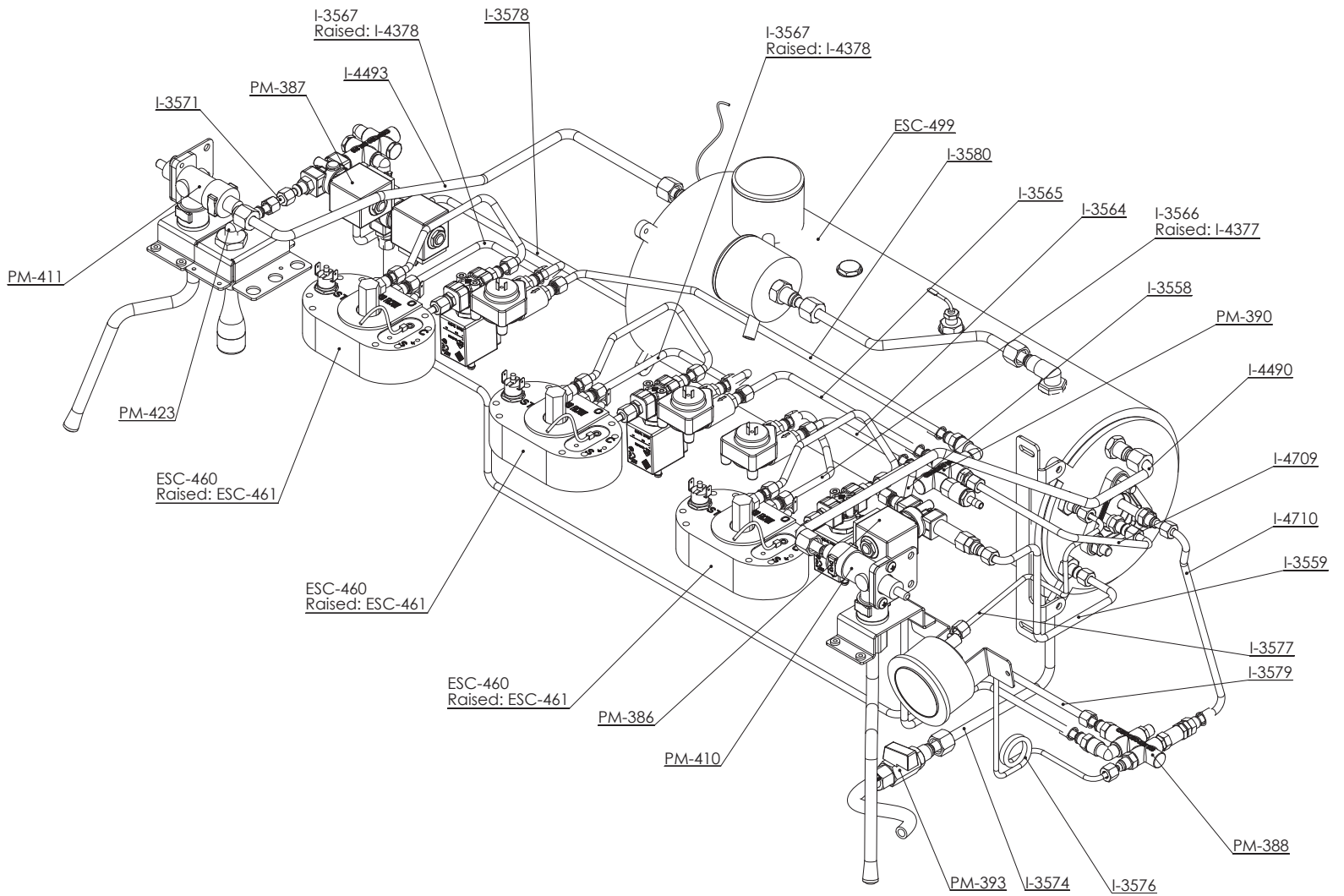


REF.	DESCRIPCIÓN	DESCRIPTION
I.1393	CONTADOR VOLUMÉTRICO 1/8	FLOWMETER 1/8
I.2364	RACOR CONTADOR VOLUMETRICO 1/8".1/8"	FITTING VOLUMETRIC CONTROL 1/8".1/8"
I.3558	TUBO ENTRADA EV LLENADO BARISTA T	FILLING SOLENOID ENTRY PIPE BARISTA T
I.3559	TUBO SALIDA EV LLENADO BARISTA T	FILLING SOLENOID EXIT PIPE BARISTA T
I.3560	TUBO ENTRADA INTERCAMBIADOR CALDERA BARISTA T	BOILER EXCHANGER ENTRY PIPE BARISTA T
I.3563	TUBO SALIDA INTERCAMBIADOR CALDERA BARISTA T	BOILER EXCHANGE EXIT PIPE BARISTA T
I.3564	TUBO ENTRADA VOLUMETRICO 1 BARISTA T	FLOWMETER 1 ENTRY PIPE BARISTA T
I.3565	TUBO ENTRADA VOLUMETRICO 2 BARISTA T	FLOWMETER 2 ENTRY PIPE BARISTA T
I.3566	TUBO ENTRADA GRUPO 1 BARISTA T	GROUP 1 ENTRY PIPE BARISTA T
I.3567	TUBO ENTRADA GRUPO 2 BARISTA T	GROUP 2 ENTRY PIPE BARISTA T
I.3570	TUBO AGUA CALIENTE	HOT WATER PIPE
I.3572	TUBO VAPOR DERECHO	RIGHT STEAM PIPE
I.3573	TUBO VAPOR IZQUIERDO	LEFT STEAM PIPE
I.3574	TUBO VACIADO CALDERA BARISTA T	BOILER EMPTYING PIPE BARISTA T
I.3576	TUBO MANOMETRO GRUPO BARISTA T	MANOMETER TUBE GROUP BARISTA T
I.3577	TUBO MANÓMETRO VAPOR	MANOMETER PIPE STEAM
I.3881	MANOMETRO DOBLE BARISTA 2016	DOUBLE MANOMETER BARISTA 2016
I.4651	TUBO AGUA CALIENTE BARISTA T ZERO 2 GRUPOS	HOT WATER PIPE BARISTA T ZERO 2 GR
I.4879	TAPA VOLUMETRICO BARISTA T	FLOWMETER LIP BARISTA T
PM.132	CJTO. GRIFO AGUA BARISTA	WHOLE TAP WATER BARISTA
PM.385	CJTO DISTRIBUIDOR LLENADO BARISTA T ONE	ASSY FILL DISTRIBUTOR BARISTA T ONE
PM.386	CONJUNTO EV LLENADO BARISTA T	ASSEMBLY FILL SOLENOID BARISTA T
PM.389	CJTO DISTRIBUIDOR VOLUMETRICOS BARISTA T 2GR	ASSY FLOWMETER DISTRIBUTOR BARISTA T 2GR
PM.393	CJTO GRIFO DESAGÜE BARISTA T	ASSEMBLY DRAIN TAP BARISTA T
PM.409	CJTO. AGUA CALIENTE BARISTA T ONE	ASSY. HOT WATER BARISTA T ONE
PM.423	CJTO SALIDA AGUA CALIENTE BARISTA T PLUS	ASSY HOT WATER OUTLET BARISTA T PLUS
V.502	JUNTA VOLUMETRICO BIG DREAM	O.RING FLOWMETER BIG DREAM
V.503	ASPA VOLUMETRICO BIG DREAM	WHEEL FLOWMETER BIG DREAM

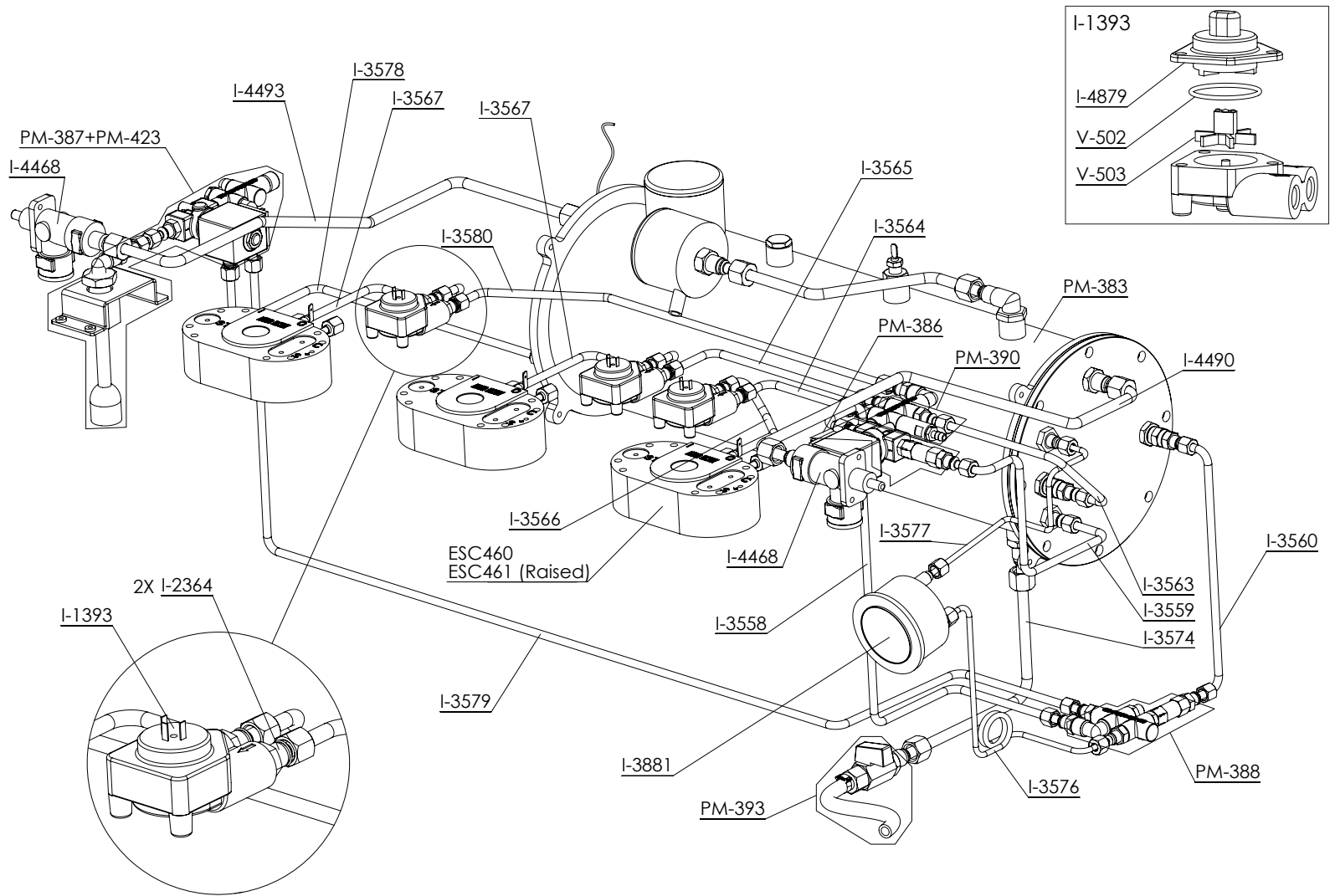




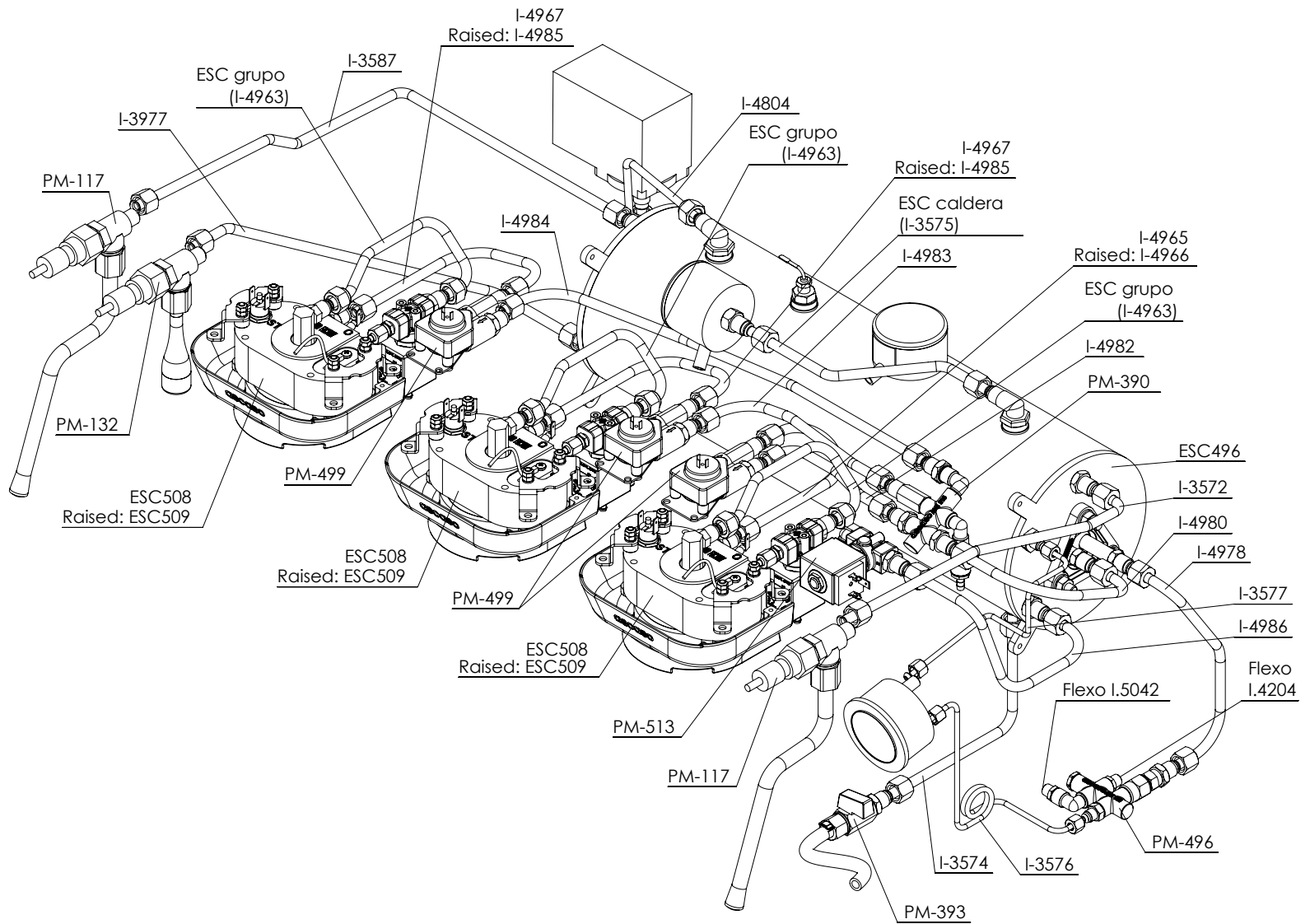
REF.	DESCRIPCIÓN	DESCRIPTION
ESC499	CALDERA VAPOR BARISTA T PLUS 2GR/3GR	BOILER BARISTA T PLUS 2GR/3GR
ESC506	GRUPO INTERCAMBIADOR BARISTA T ONE/PLUS D.8	THERMOBLOCK ASSY BARISTA T D.8
ESC507	GRUPO INTERCAMBIADOR BARISTA T ONE/PLUS RAISED D.8	THERMOBLOCK ASSY BARISTA T RAISED D.8
I.3574	TUBO VACIADO CALDERA BARISTA T	BOILER EMPTYING PIPE BARISTA T
I.3575	TUBO VALVULA DE SEGURIDAD CALDERA BARISTA T	BOILER SECURITY VALVE PIPE BARISTA T
I.3576	TUBO MANOMETRO GRUPO BARISTA T	MANOMETER TUBE GROUP BARISTA T
I.3577	TUBO MANOMETRO VAPOR BARISTA T	MANOMETER PIPE STEAM BARISTA T
I.4204	FLEXO AGUA FRIA 1/8 H 3 GR 1000MM BIG DREAM	FLEX COLD WATER 1/8 H 3GR (1000MM)
I.4490	TUBO VAPOR DERECHO BARISTA T PLUS	RIGHT STEAM PIPE BARISTA T PLUS
I.4493	TUBO VAPOR IZQUIERDO BARISTA T PLUS 3GR	LEFT STEAM PIPE BARISTA T PLUS 3GR
I.4833	TUBO ELECTROVALVULA REGULADORA BARISTA T	REGULATOR SOLENOID PIPE BARISTA T
I.4834	TUBO T REGULADORA A GRIFO BARISTA T	REGULATOR TO TAP PIPE BARISTA T
I.4861	TUBO CALDERA A CONJUNTO REGULADOR BARISTA T 3 GRUP	BOILER TO REGULATOR ASSY PIPE BARISTA T 3 GROUPS
I.4963	TUBO SALIDA GRUPO BARISTA T D.8	GROUP EXIT PIPE BARISTA T D.8
I.4965	TUBO ENTRADA GRUPO 1 BARISTA T D.8	GROUP 1 ENTRY PIPE BARISTA T D.8
I.4966	TUBO ENTRADA GRUPO 1 BARISTA T RAISED D.8	GROUP 1 ENTRY PIPE BARISTA T RAISED D.8
I.4967	TUBO ENTRADA GRUPO 2 BARISTA T D.8	GROUP 2 ENTRY PIPE BARISTA T D.8
I.4978	TUBO ENTRADA INTERCAMBIADOR CALDERA BARISTA T 2019	BOILER EXCHANGER INLET PIPE BARISTA T 2019 D.8
I.4980	TUBO SALIDA INTERCAMBIADOR CALDERA BARISTA T 2019	BOILER EXCHANGER OUTLET PIPE BARISTA T 2019 D.8
I.4982	TUBO ENTRADA VOLUMETRICO 1 BARISTA T D.8	VOLUMETRIC 1 INLET PIPE BARISTA T D.8
I.4983	TUBO ENTRADA VOLUMETRICO 2 BARISTA T D.8	VOLUMETRIC 2 INLET PIPE BARISTA T D.8
I.4984	TUBO ENTRADA VOLUMETRICO 3 BARISTA T D.8	VOLUMETRIC 3 INLET PIPE BARISTA T D.8
I.4985	TUBO ENTRADA GRUPOS 2/3 BARISTA T RAISED D.8	GROUPS 2/3 INLET PIPE BARISTA T RAISED D.8
I.4986	TUBO SALIDA ELECTROVALVULA LLENADO BARISTA T D.8	FILL SOLENOID OUTLET PIPE BARISTA T D.8
I.5042	FLEXO AGUA FRIA 1/8 H 500MM	COLD WATER FLEXIBLE TUBE 1/8 H 500MM
PM.390	DISTRIBUIDOR VOLUMETRICOS BARISTA T 3GR	FLOWMETER DISTRIBUTOR BARISTA T 3GR
PM.393	GRIFO DESAGÜE BARISTA T	DRAIN TAP BARISTA T
PM.410	VAPOR DERECHO BARISTA T PLUS	RIGHT STEAM BARISTA T PLUS
PM.411	VAPOR IZQUIERDO BARISTA T PLUS	LEFT STEAM BARISTA T PLUS
PM.423	SALIDA AGUA CALIENTE BARISTA T	HOT WATER OUTLET BARISTA T
PM.497	CONJUNTO DISTRIBUIDOR LLENADO BARISTA T PLUS D.8	FILL DISTRIBUTOR BARISTA T PLUS ASSEMBLY D.8
PM.499	CONJUNTO VOLUMETRICO BARISTA T D.8	FLOWMETER ASSEMBLY BARISTA T D.8
PM.513	CONJUNTO ELECTROVALVULA LLENADO BARISTA T FLEXO	FILL SOLENOID BARISTA T ASEMBLY FLEX TUBE
PM.514	CONJUNTO MIXER EV REGULABLE BARISTA T PLUS	ADJUSTABLE SOLENOID VALVE MIXER ASSEMBLY BARISTA T



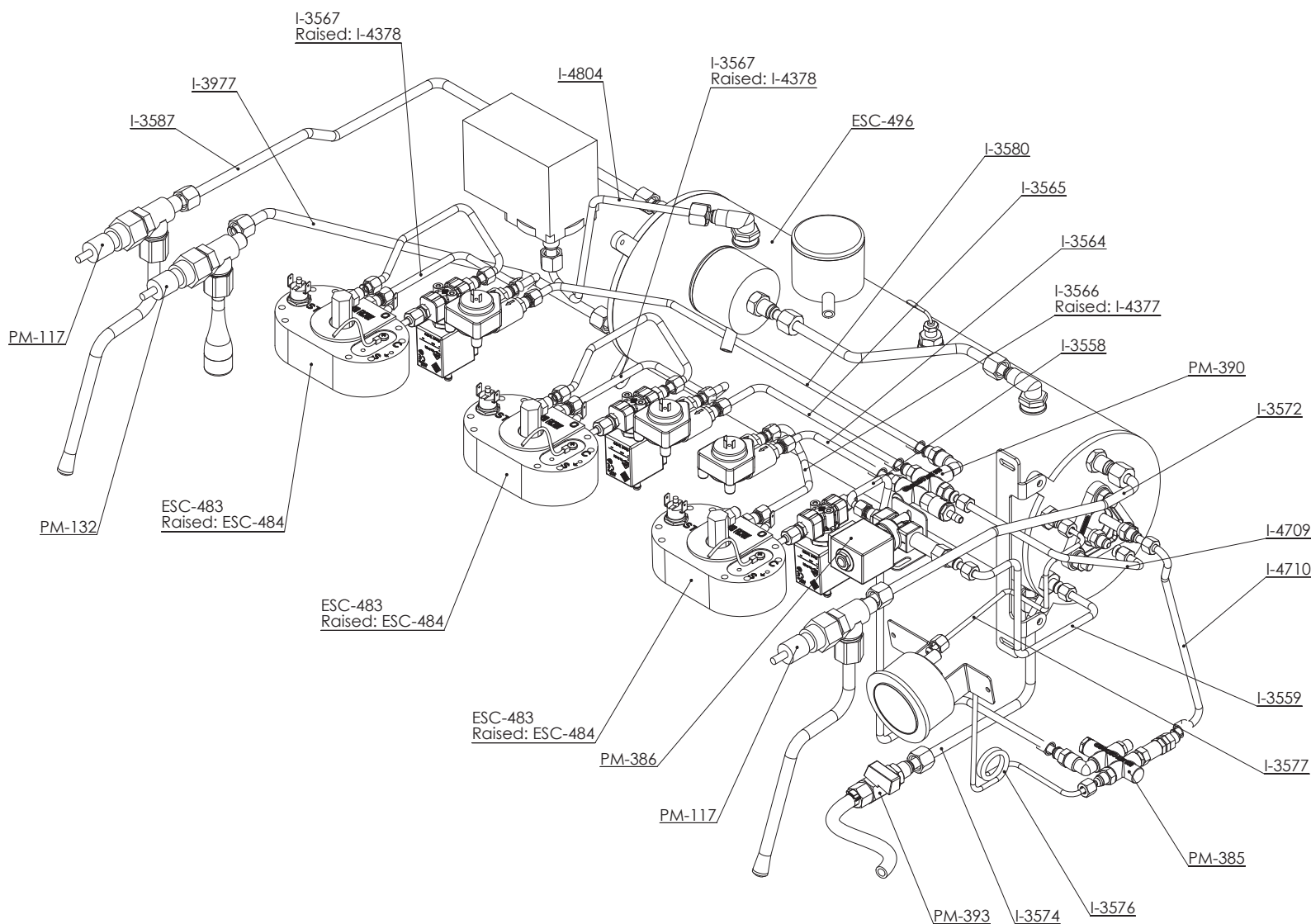
REF.	DESCRIPCIÓN	DESCRIPTION
ESC460	GRUPO INTERCAMBIADOR BARISTA T ONE/PLUS	THERMOBLOCK ASSY BARISTA T
ESC461	GRUPO INTERCAMBIADOR BARISTA T ONE/PLUS RAISED	THERMOBLOCK ASSY BARISTA T RAISED
ESC499	CALDERA VAPOR BARISTA T PLUS 2GR/3GR	BOILER BARISTA T PLUS 2GR/3GR
I.3558	TUBO ENTRADA ELECTROVALVULA LLENADO BARISTA T	FILLING SOLENOID ENTRY PIPE BARISTA T
I.3559	TUBO SALIDA EV LLENADO BARISTA T	FILLING SOLENOID EXIT PIPE BARISTA T
I.3564	TUBO ENTRADA VOLUMETRICO 1 BARISTA T	FLOWMETER 1 ENTRY PIPE BARISTA T
I.3565	TUBO ENTRADA VOLUMETRICO 2 BARISTA T	FLOWMETER 2 ENTRY PIPE BARISTA T
I.3566	TUBO ENTRADA GRUPO 1 BARISTA T	GROUP 1 ENTRY PIPE BARISTA T
I.3567	TUBO ENTRADA GRUPO 2 BARISTA T	GROUP 2 ENTRY PIPE BARISTA T
I.3571	TUBO AGUA MEZCLADA BARISTA T	MIXED WATER PIPE BARISTA T
I.3574	TUBO VACIADO CALDERA BARISTA T	BOILER EMPTYING PIPE BARISTA T
I.3576	TUBO MANOMETRO GRUPO BARISTA T	MANOMETER TUBE GROUP BARISTA T
I.3577	TUBO MANOMETRO VAPOR BARISTA T	MANOMETER PIPE STEAM BARISTA T
I.3578	TUBO AGUA CALIENTE BARISTA T PLUS 3GR	HOT WATER PIPE BARISTA T PLUS 3GR
I.3579	TUBO AGUA FRIA BARISTA T PLUS 3GR	COLD WATER PIPE BARISTA T PLUS 3GR
I.3580	TUBO ENTRADA VOLUMETRICO 3 BARISTA T	FLOWMETER 2 ENTRY PIPE BARISTA T
I.4377	TUBO ENTRADA GRUPO 1 BARISTA T RAISED	GROUP 1 ENTRY PIPE BARISTA T RAISED
I.4378	TUBO ENTRADA GRUPOS 2/3 BARISTA T RAISED	GROUPS 2/3 ENTRY PIPE BARISTA T RAISED
I.4490	TUBO VAPOR DERECHO BARISTA T PLUS	RIGHT STEAM PIPE BARISTA T PLUS
I.4493	TUBO VAPOR IZQUIERDO BARISTA T PLUS 3GR	LEFT STEAM PIPE BARISTA T PLUS 3GR
I.4709	TUBO SALIDA INTERCAMBIADOR CALDERA BARISTA T 2019	BOILER EXCHANGER EXIT PIPE BARISTA T
I.4710	TUBO ENTRADA INTERCAMBIADOR CALDERA BARISTA T 2019	BOILER EXCHANGER ENTRY PIPE BARISTA T 2019
PM.386	ELECTROVALVULA LLENADO BARISTA T	FILL SOLENOID BARISTA T ASSEMBLY
PM.387	AGUA CALIENTE BARISTA T PLUS	HOT WATER BARISTA T PLUS
PM.388	CONJUNTO DISTRIBUIDOR LLENADO BARISTA T PLUS	FILL DISTRIBUTOR BARISTA T ONE
PM.390	DISTRIBUIDOR VOLUMETRICOS BARISTA T 3GR	FLOWMETER DISTRIBUTOR BARISTA T 3GR
PM.393	GRIFO DESAGÜE BARISTA T	DRAIN TAP BARISTA T
PM.410	VAPOR DERECHO BARISTA T PLUS	RIGHT STEAM BARISTA T PLUS
PM.411	VAPOR IZQUIERDO BARISTA T PLUS	LEFT STEAM BARISTA T PLUS
PM.423	SALIDA AGUA CALIENTE BARISTA T	HOT WATER OUTLET BARISTA T



REF.	DESCRIPCIÓN	DESCRIPTION
ESC460	GRUPO INTERCAMBIADOR BARISTA T	THERMOBLOCK ASSEMBLY BARISTA T
ESC461	GRUPO INTERCAMBIADOR BARISTA T RAISED	THERMOBLOCK ASSEMBLY BARISTA T RAISED
I.1393	CONTADOR VOLUMÉTRICO 1/8	FLOWMETER 1/8
I.2364	RACOR CONTADOR VOLUMETRIC 1/8".1/8"	FITTING VOLUMETRIC CONTROL 1/8".1/8"
I.3558	TUBO ENTRADA EV LLENADO BARISTA T	FILLING SOLENOID ENTRY PIPE BARISTA T
I.3559	TUBO SALIDA EV LLENADO BARISTA T	FILLING SOLENOID EXIT PIPE BARISTA T
I.3560	TUBO ENTRADA INTERCAMBIADOR CALDERA BARISTA T	BOILER EXCHANGER ENTRY PIPE BARISTA T
I.3563	TUBO SALIDA INTERCAMBIADOR CALDERA BARISTA T	BOILER EXCHANGE EXIT PIPE BARISTA T
I.3564	TUBO ENTRADA VOLUMETRIC 1 BARISTA T	FLOWMETER 1 ENTRY PIPE BARISTA T
I.3565	TUBO ENTRADA VOLUMETRIC 2 BARISTA T	FLOWMETER 2 ENTRY PIPE BARISTA T
I.3566	TUBO ENTRADA GRUPO 1 BARISTA T	GROUP 1 ENTRY PIPE BARISTA T
I.3567	TUBO ENTRADA GRUPO 2 BARISTA T	GROUP 2 ENTRY PIPE BARISTA T
I.3574	TUBO VACIADO CALDERA BARISTA T	BOILER EMPTYING PIPE BARISTA T
I.3576	TUBO MANOMETRO GRUPO BARISTA T	MANOMETER TUBE GROUP BARISTA T
I.3577	TUBO MANÓMETRO VAPOR	MANOMETER PIPE STEAM
I.3578	TUBO AGUA CALIENTE BARISTA T PLUS 3GR	HOT WATER PIPE BARISTA T PLUS 3GR
I.3579	TUBO AGUA FRIA BARISTA T 3GR	COLD WATER PIPE BARISTA T 3GR
I.3580	TUBO ENTRADA VOLUMETRIC 3 BARISTA T 3GR	FLOWMETER 3 ENTRY PIPE BARISTA T 3GR
I.3881	MANOMETRO DOBLE BARISTA 2016	DOUBLE MANOMETER BARISTA 2016
I.4490	TUBO VAPOR DERECHO BARISTA T PLUS	RIGHT STEAM PIPE BARISTA T PLUS
I.4493	TUBO VAPOR IZQUIERDO BARISTA T 3GR	LEFT STEAM PIPE BARISTA T 3GR
I.4879	TAPA VOLUMETRIC BARISTA T	FLOWMETER LIP BARISTA T
PM.383	CJTO. CALDERA VAPOR BARISTA T 2GR/3GR	ASSEMBLY BOILER BARISTA T 2GR/3GR
PM.386	CONJUNTO EV LLENADO BARISTA T	ASSEMBLY FILL SOLENOID BARISTA T
PM.387	CJTO. AGUA CALIENTE BARISTA T PLUS	ASSY. HOT WATER BARISTA T PLUS
PM.388	CJTO. DISTRIBUIDOR LLENADO BARISTA T	ASSY. FILL DISTRIBUTOR BARISTA T
PM.390	CJTO. DISTRIBUIDOR VOLUMETRICOS BARISTA T 3GR	ASSY. FLOWMETER DISTRIBUTOR BARISTA T 3GR
PM.393	CJTO GRIFO DESAGÜE BARISTA T	ASSEMBLY DRAIN TAP BARISTA T
PM.410	CJTO. VAPOR DERECHO BARISTA T PLUS	ASSY. RIGHT STEAM BARISTA T PLUS
PM.411	CJTO. VAPOR IZQUIERDO BARISTA T PLUS	ASSY. LEFT STEAM BARISTA T PLUS
PM.423	CJTO SALIDA AGUA CALIENTE BARISTA T PLUS	ASSY HOT WATER OUTLET BARISTA T PLUS
V..502	JUNTA VOLUMETRIC BIG DREAM	O.RING FLOWMETER BIG DREAM
V..503	ASPA VOLUMETRIC BIG DREAM	WHEEL FLOWMETER BIG DREAM



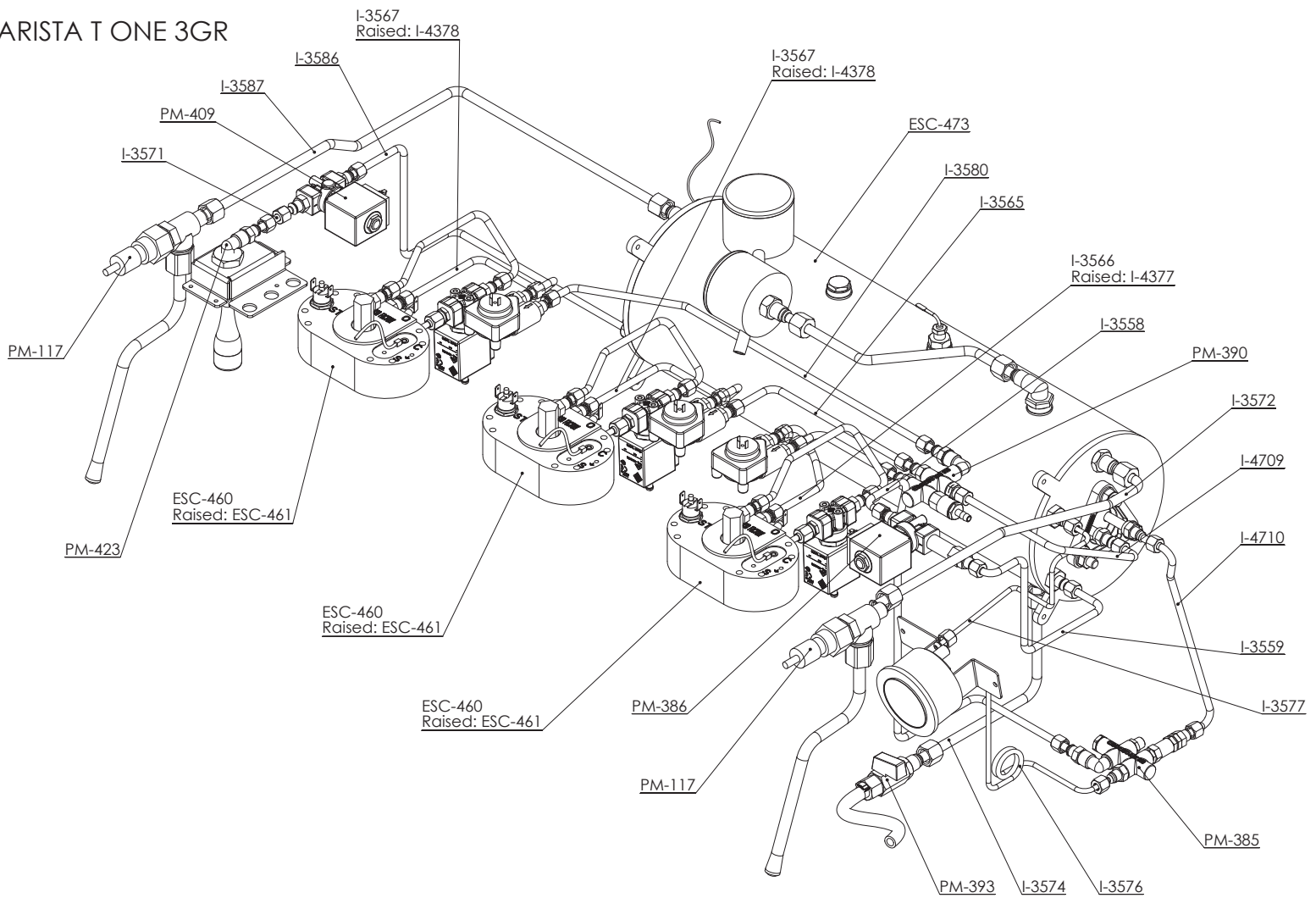
REF.	DESCRIPCIÓN	DESCRIPTION
ESC496	CONJUNTO CALDERA VAPOR BARISTA T ZERO 3GR	BOILER ASSEMBLY BARISTA T ZERO 3GR
ESC508	GRUPO INTERCAMBIADOR BARISTA T ZERO D.8	THERMOBLOCK ASSEMBLY BARISTA T ZERO D.8
ESC509	GRUPO INTERCAMBIADOR BARISTA T ZERO RAISED D.8	THERMOBLOCK ASSY BARISTA T ZERO RAISED D.8
I.3572	TUBO VAPOR DERECHO BARISTA T ZERO/ONE	RIGHT STEAM PIPE BARISTA T ZERO/ONE
I.3574	TUBO VACIADO CALDERA BARISTA T	BOILER EMPTYING PIPE BARISTA T
I.3575	TUBO VALVULA DE SEGURIDAD CALDERA BARISTA T	BOILER SECURITY VALVE PIPE BARISTA T
I.3576	TUBO MANOMETRO GRUPO BARISTA T	MANOMETER TUBE GROUP BARISTA T
I.3577	TUBO MANOMETRO VAPOR BARISTA T	MANOMETER PIPE STEAM BARISTA T
I.3587	TUBO VAPOR IZQUIERDO BARISTA T ONE 3GR	LEFT STEAM PIPE BARISTA T ONE 3GR
I.3977	TUBO AGUA CALIENTE BARISTA T ZERO 3 GRUPOS	HOT WATER PIPE BARISTA T ZERO 3 GROUPS
I.4204	FLEXO AGUA FRIA 1/8 H 3 GR 1000MM BIG DREAM	FLEX COLD WATER 1/8 H 3GR (1000MM)
I.4804	TUBO PRESOSTATO BARISTA T ZERO 3GR	PRESSURE SWITCH PIPE BARISTA T ZERO 3GR
I.4963	TUBO SALIDA GRUPO BARISTA T D.8	GROUP EXIT PIPE BARISTA T D.8
I.4965	TUBO ENTRADA GRUPO 1 BARISTA T D.8	GROUP 1 ENTRY PIPE BARISTA T D.8
I.4966	TUBO ENTRADA GRUPO 1 BARISTA T RAISED D.8	GROUP 1 ENTRY PIPE BARISTA T RAISED D.8
I.4967	TUBO ENTRADA GRUPO 2 BARISTA T D.8	GROUP 2 ENTRY PIPE BARISTA T D.8
I.4978	TUBO ENTRADA INTERCAMBIADOR CALDERA BARISTA T 2019	BOILER EXCHANGER INLET PIPE BARISTA T 2019 D.8
I.4980	TUBO SALIDA INTERCAMBIADOR CALDERA BARISTA T 2019	BOILER EXCHANGER OUTLET PIPE BARISTA T 2019 D.8
I.4982	TUBO ENTRADA VOLUMETRICO 1 BARISTA T D.8	VOLUMETRIC 1 INLET PIPE BARISTA T D.8
I.4983	TUBO ENTRADA VOLUMETRICO 2 BARISTA T D.8	VOLUMETRIC 2 INLET PIPE BARISTA T D.8
I.4984	TUBO ENTRADA VOLUMETRICO 3 BARISTA T D.8	VOLUMETRIC 3 INLET PIPE BARISTA T D.8
I.4985	TUBO ENTRADA GRUPOS 2/3 BARISTA T RAISED D.8	GROUPS 2/3 INLET PIPE BARISTA T RAISED D.8
I.4986	TUBO SALIDA ELECTROVALVULA LLENADO BARISTA T D.8	FILL SOLENOID OUTLET PIPE BARISTA T D.8
I.5042	FLEXO AGUA FRIA 1/8 H 500MM	COLD WATER FLEXIBLE TUBE 1/8 H 500MM
PM.117	GRIFO VAPOR BARISTA	TAP STEAM BARISTA
PM.132	GRIFO AGUA BARISTA	WHOLE TAP WATER BARISTA
PM.390	DISTRIBUIDOR VOLUMETRICOS BARISTA T 3GR	FLOWMETER DISTRIBUTOR BARISTA T 3GR
PM.393	GRIFO DESAGÜE BARISTA T	DRAIN TAP BARISTA T
PM.496	CONJUNTO DISTRIBUIDOR LLENADO BARISTA T ONE/ZERO D	FILL DISTRIBUTOR BARISTA T ONE/ZERO ASSEMBLY D.8
PM.499	CONJUNTO VOLUMETRICO BARISTA T D.8	FLOWMETER ASSEMBLY BARISTA T D.8
PM.513	CONJUNTO ELECTROVALVULA LLENADO BARISTA T FLEXO	FILL SOLENOID BARISTA T ASEMBLY FLEX TUBE



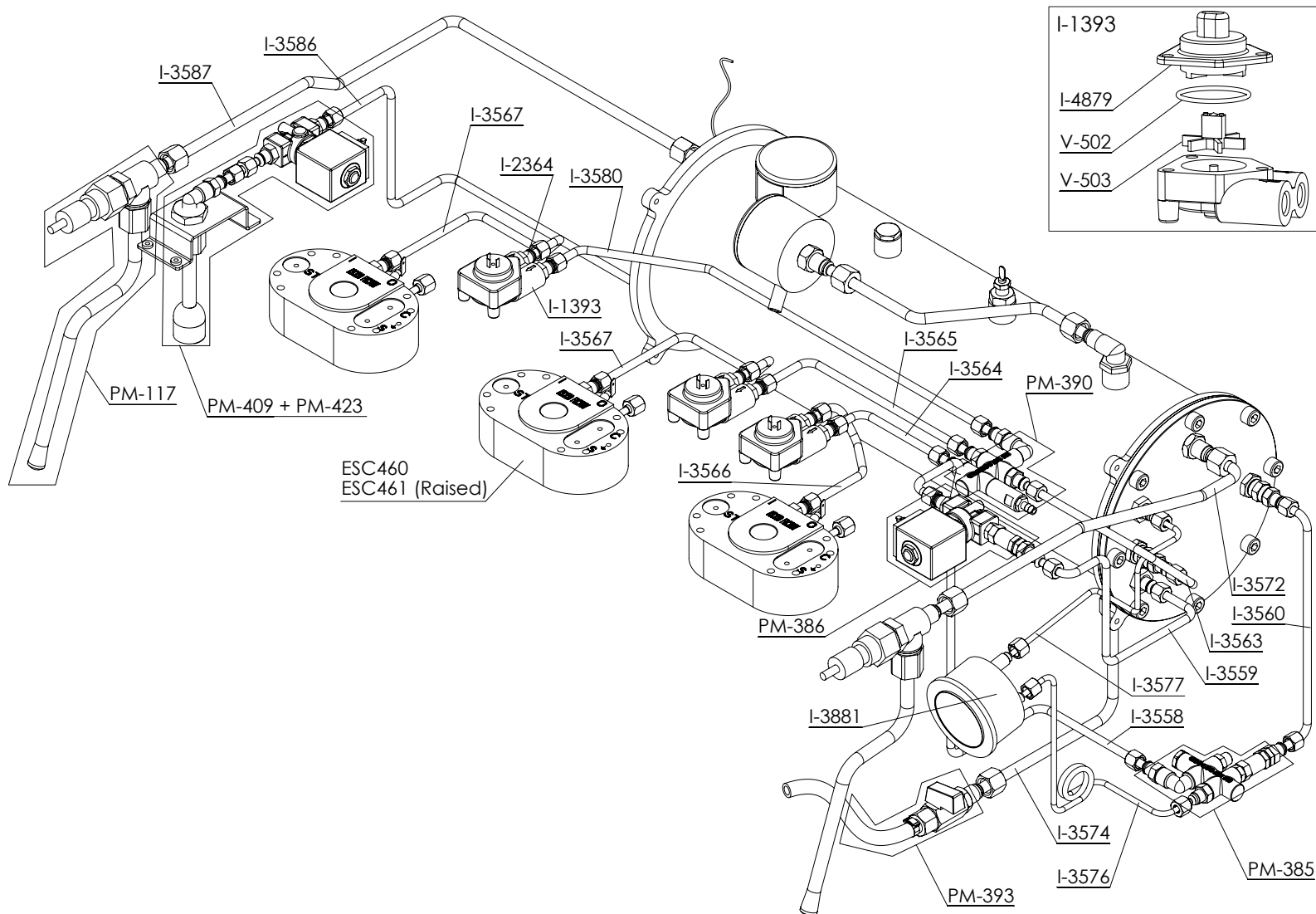
REF.	DESCRIPCIÓN	DESCRIPTION
ESC483	GRUPO INTERCAMBIADOR BARISTA T ZERO	THERMOBLOCK ASSY BARISTA T ZERO
ESC484	GRUPO INTERCAMBIADOR BARISTA T ZERO RAISED	THERMOBLOCK ASSY BARISTA T ZERO RAISED
ESC496	CONJUNTO CALDERA VAPOR BARISTA T ZERO 3GR	BOILER ASSEMBLY BARISTA T ZERO 3GR
I.3558	TUBO ENTRADA ELECTROVALVULA LLENADO BARISTA T	FILLING SOLENOID ENTRY PIPE BARISTA T
I.3559	TUBO SALIDA EV LLENADO BARISTA T	FILLING SOLENOID EXIT PIPE BARISTA T
I.3564	TUBO ENTRADA VOLUMETRICO 1 BARISTA T	FLOWMEWTER 1 ENTRY PIPE BARISTA T
I.3565	TUBO ENTRADA VOLUMETRICO 2 BARISTA T	FLOWMETER 2 ENTRY PIPE BARISTA T
I.3566	TUBO ENTRADA GRUPO 1 BARISTA T	GROUP 1 ENTRY PIPE BARISTA T
I.3567	TUBO ENTRADA GRUPO 2 BARISTA T	GROUP 2 ENTRY PIPE BARISTA T
I.3567	TUBO ENTRADA GRUPO 2 BARISTA T	GROUP 2 ENTRY PIPE BARISTA T
I.3572	TUBO VAPOR DERECHO BARISTA T ONE	RIGHT STEAM PIPE BARISTA T ONE
I.3574	TUBO VACIADO CALDERA BARISTA T	BOILER EMPTYING PIPE BARISTA T
I.3576	TUBO MANOMETRO GRUPO BARISTA T	MANOMETER TUBE GROUP BARISTA T
I.3577	TUBO MANOMETRO VAPOR BARISTA T	MANOMETER PIPE STEAM BARISTA T
I.3580	TUBO ENTRADA VOLUMETRICO 3 BARISTA T	FLOWMETER 2 ENTRY PIPE BARISTA T
I.3587	TUBO VAPOR IZQUIERDO BARISTA T ONE 3GR	LEFT STEAM PIPE BARISTA T ONE 3GR
I.3977	TUBO VAPOR IZQUIERDO BARISTA 2018	LEFT STEAM PIPE BARISTA 2018
I.4377	TUBO ENTRADA GRUPO 1 BARISTA T RAISED	GROUP 1 ENTRY PIPE BARISTA T RAISED
I.4378	TUBO ENTRADA GRUPOS 2/3 BARISTA T RAISED	GROUPS 2/3 ENTRY PIPE BARISTA T RAISED
I.4378	TUBO ENTRADA GRUPOS 2/3 BARISTA T RAISED	GROUPS 2/3 ENTRY PIPE BARISTA T RAISED
I.4709	TUBO SALIDA INTERCAMBIADOR CALDERA BARISTA T 2019	BOILER EXCHANGER EXIT PIPE BARISTA T
I.4710	TUBO ENTRADA INTERCAMBIADOR CALDERA BARISTA T 2019	BOILER EXCHANGER ENTRY PIPE BARISTA T 2019
I.4804	TUBO PRESOSTATO BARISTA T ZERO 3GR	PRESSURE SWITCH PIPE BARISTA T ZERO 3GR
PM.117	GRIFO VAPOR BARISTA	TAP STEAM BARISTA
PM.132	GRIFO AGUA BARISTA	WHOLE TAP WATER BARISTA
PM.385	CONJUNTO DISTRIBUIDOR LLENADO BARISTA T ONE/ZERO	FILL DISTRIBUTOR BARISTA T ONE/ZERO ASSEMBLY
PM.386	ELECTROVALVULA LLENADO BARISTA T	FILL SOLENOID BARISTA T ASSEMBLY
PM.390	DISTRIBUIDOR VOLUMETRICOS BARISTA T 3GR	FLOWMETER DISTRIBUTOR BARISTA T 3GR
PM.393	GRIFO DESAGÜE BARISTA T	DRAIN TAP BARISTA T



BARISTA T ONE 3GR

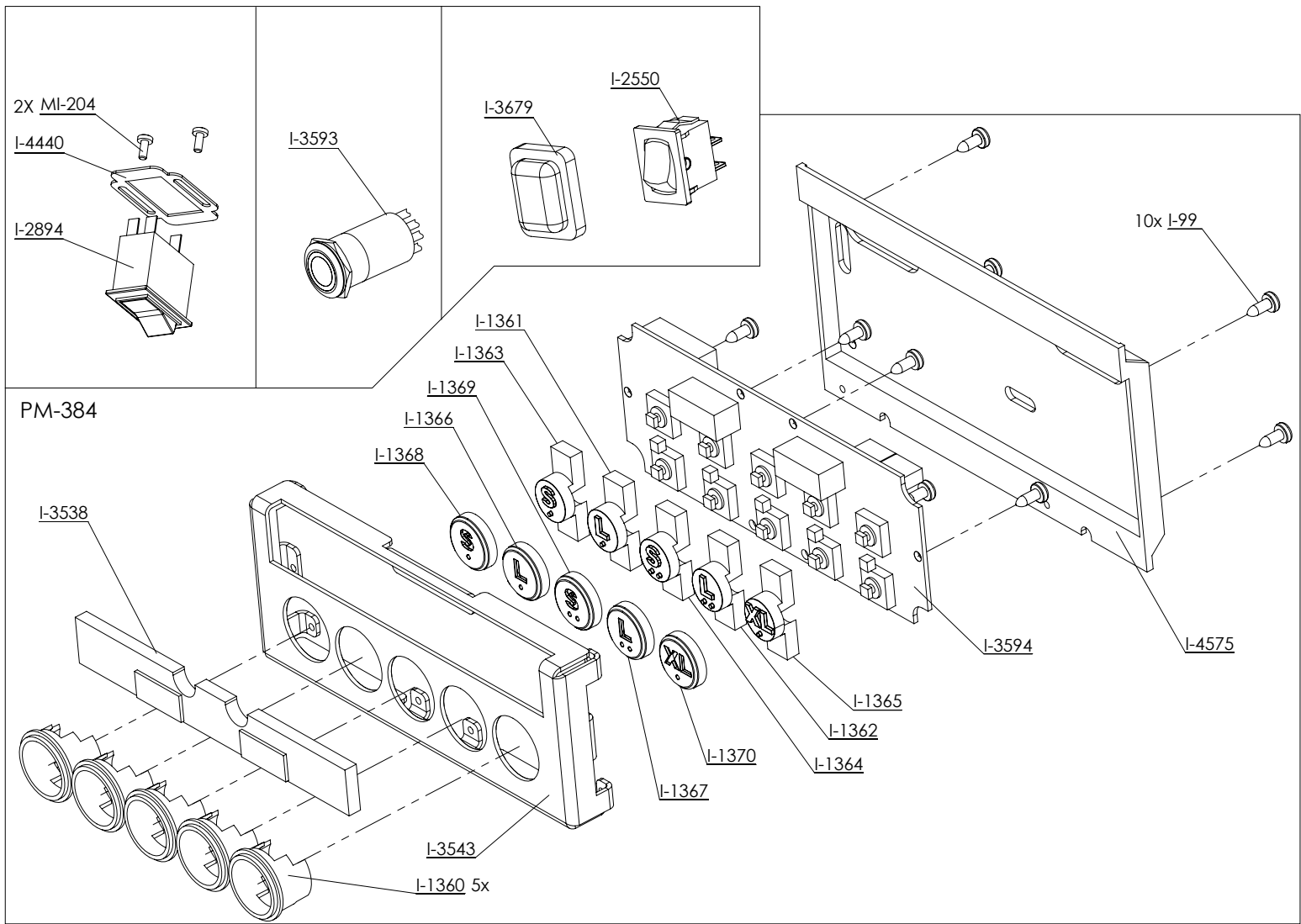


REF.	DESCRIPCIÓN	DESCRIPTION
ESC460	GRUPO INTERCAMBIADOR BARISTA T ONE/PLUS	THERMOBLOCK ASSY BARISTA T
ESC461	GRUPO INTERCAMBIADOR BARISTA T ONE/PLUS RAISED	THERMOBLOCK ASSY BARISTA T RAISED
ESC473	CALDERA VAPOR BARISTA T ONE 2GR/3GR	BOILER BARISTA T ONE 2GR/3GR
I.3558	TUBO ENTRADA ELECTROVALVULA LLENADO BARISTA T	FILLING SOLENOID ENTRY PIPE BARISTA T
I.3559	TUBO SALIDA EV LLENADO BARISTA T	FILLING SOLENOID EXIT PIPE BARISTA T
I.3565	TUBO ENTRADA VOLUMETRIC 2 BARISTA T	FLOWMETER 2 ENTRY PIPE BARISTA T
I.3566	TUBO ENTRADA GRUPO 1 BARISTA T	GROUP 1 ENTRY PIPE BARISTA T
I.3567	TUBO ENTRADA GRUPO 2 BARISTA T	GROUP 2 ENTRY PIPE BARISTA T
i.3571	TUBO AGUA MEZCLADA BARISTA T	MIXED WATER PIPE BARISTA T
I.3572	TUBO VAPOR DERECHO BARISTA T ONE	RIGHT STEAM PIPE BARISTA T ONE
I.3574	TUBO VACIADO CALDERA BARISTA T	BOILER EMPTYING PIPE BARISTA T
I.3576	TUBO MANOMETRO GRUPO BARISTA T	MANOMETER TUBE GROUP BARISTA T
I.3577	TUBO MANOMETRO VAPOR BARISTA T	MANOMETER PIPE STEAM BARISTA T
I.3580	TUBO ENTRADA VOLUMETRIC 3 BARISTA T	FLOWMETER 2 ENTRY PIPE BARISTA T
I.3586	TUBO AGUA CALIENTE BARISTA T ONE 3GR	HOT WATER PIPE BARISTA T ONE 3GR
I.3587	TUBO VAPOR IZQUIERDO BARISTA T ONE 3GR	LEFT STEAM PIPE BARISTA T ONE 3GR
I.4377	TUBO ENTRADA GRUPO 1 BARISTA T RAISED	GROUP 1 ENTRY PIPE BARISTA T RAISED
I.4378	TUBO ENTRADA GRUPOS 2/3 BARISTA T RAISED	GROUPS 2/3 ENTRY PIPE BARISTA T RAISED
I.4709	TUBO SALIDA INTERCAMBIADOR CALDERA BARISTA T 2019	BOILER EXCHANGER EXIT PIPE BARISTA T
I.4710	TUBO ENTRADA INTERCAMBIADOR CALDERA BARISTA T 2019	BOILER EXCHANGER ENTRY PIPE BARISTA T 2019
PM.117	GRIFO VAPOR BARISTA	TAP STEAM BARISTA
PM.385	CONJUNTO DISTRIBUIDOR LLENADO BARISTA T ONE/ZERO	FILL DISTRIBUTOR BARISTA T ONE/ZERO ASSEMBLY
PM.386	ELECTROVALVULA LLENADO BARISTA T	FILL SOLENOID BARISTA T ASSEMBLY
PM.390	DISTRIBUIDOR VOLUMETRICOS BARISTA T 3GR	FLOWMETER DISTRIBUTOR BARISTA T 3GR
PM.393	GRIFO DESAGÜE BARISTA T	DRAIN TAP BARISTA T
PM.409	AGUA CALIENTE BARISTA T ONE	HOT WATER BARISTA T ONE
PM.423	SALIDA AGUA CALIENTE BARISTA T	HOT WATER OUTLET BARISTA T

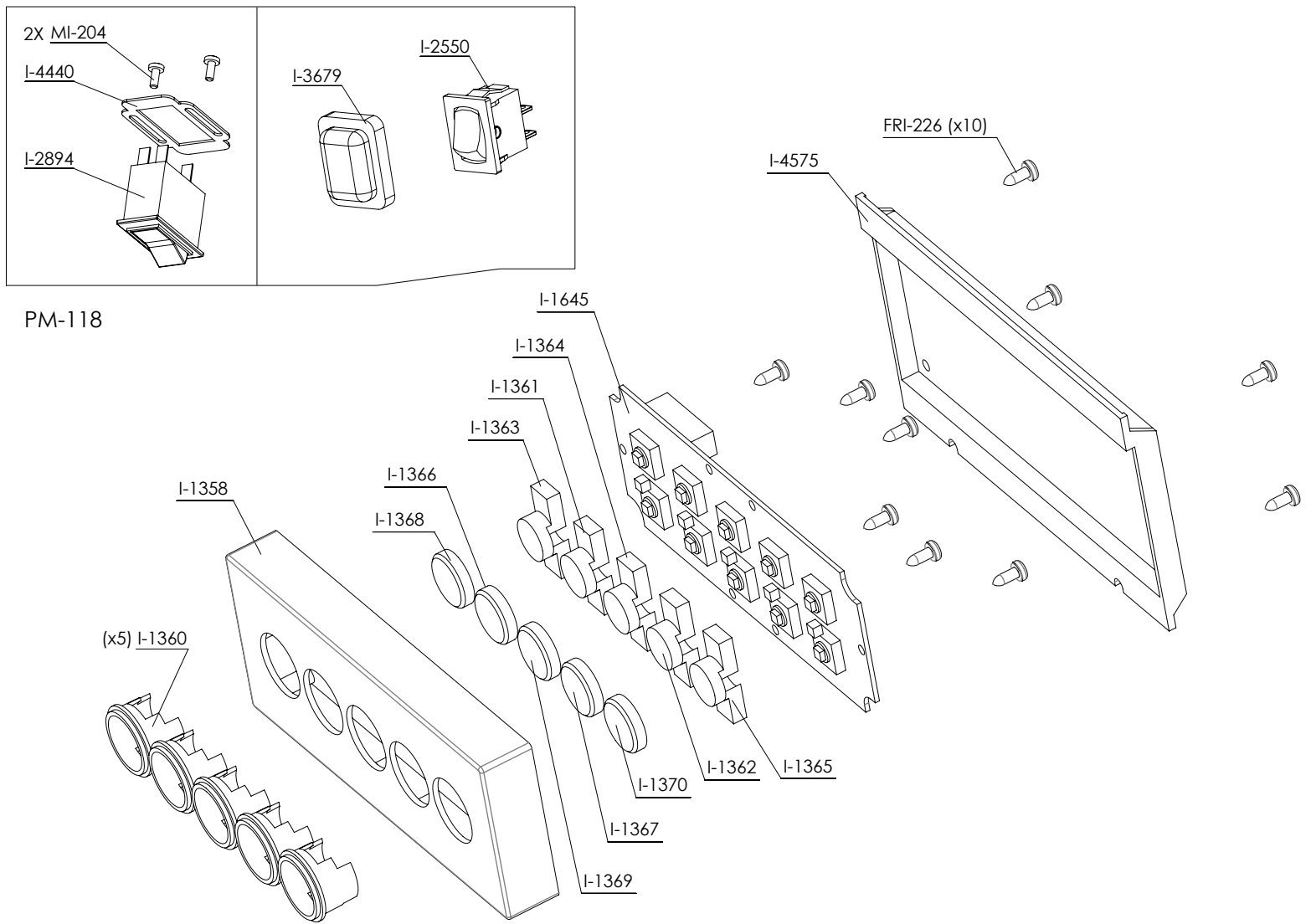


REF.	DESCRIPCIÓN	DESCRIPTION
ESC460	GRUPO INTERCAMBIADOR BARISTA T	THERMOBLOCK ASSEMBLY BARISTA T
ESC461	GRUPO INTERCAMBIADOR BARISTA T RAISED	THERMOBLOCK ASSEMBLY BARISTA T RAISED
I.1393	CONTADOR VOLUMÉTRICO 1/8	FLOWMETER 1/8
I.2364	RACOR CONTADOR VOLUMETRICO 1/8".1/8"	FITTING VOLUMETRIC CONTROL 1/8".1/8"
I.3558	TUBO ENTRADA EV LLENADO BARISTA T	FILLING SOLENOID ENTRY PIPE BARISTA T
I.3559	TUBO SALIDA EV LLENADO BARISTA T	FILLING SOLENOID EXIT PIPE BARISTA T
I.3560	TUBO ENTRADA INTERCAMBIADOR CALDERA BARISTA T	BOILER EXCHANGER ENTRY PIPE BARISTA T
I.3563	TUBO SALIDA INTERCAMBIADOR CALDERA BARISTA T	BOILER EXCHANGE EXIT PIPE BARISTA T
I.3564	TUBO ENTRADA VOLUMETRICO 1 BARISTA T	FLOWMETER 1 ENTRY PIPE BARISTA T
I.3565	TUBO ENTRADA VOLUMETRICO 2 BARISTA T	FLOWMETER 2 ENTRY PIPE BARISTA T
I.3566	TUBO ENTRADA GRUPO 1 BARISTA T	GROUP 1 ENTRY PIPE BARISTA T
I.3567	TUBO ENTRADA GRUPO 2 BARISTA T	GROUP 2 ENTRY PIPE BARISTA T
I.3572	TUBO VAPOR DERECHO BARISTA T ONE	RIGHT STEAM PIPE BARISTA T ONE
I.3574	TUBO VACIADO CALDERA BARISTA T	BOILER EMPTYING PIPE BARISTA T
I.3576	TUBO MANOMETRO GRUPO BARISTA T	MANOMETER TUBE GROUP BARISTA T
I.3577	TUBO MANÓMETRO VAPOR	MANOMETER PIPE STEAM
I.3580	TUBO ENTRADA VOLUMETRICO BARISTA T 3GR	FLOWMETER 3 ENTRY PIPE BARISTA T 3GR
I.3586	TUBO AGUA CALIENTE BARISTA T 1/2GR	HOT WATER PIPE BARISTA T ONE 3GR
I.3587	TUBO VAPOR IZQUIERDO BARISTA T ONE 3GR	LEFT STEAM PIPE BARISTA T ONE 3GR
I.3881	MANOMETRO DOBLE BARISTA 2016	DOUBLE MANOMETER BARISTA 2016
I.4879	TAPA VOLUMETRICO BARISTA T	FLOWMETER LIP BARISTA T
PM.117	CJTO GRIFO VAPOR BARISTA	WHOLE TAP STEAM BARISTA
PM.385	CJTO DISTRIBUIDOR LLENADO BARISTA T ONE	ASSY FILL DISTRIBUTOR BARISTA T ONE
PM.386	CONJUNTO EV LLENADO BARISTA T	ASSEMBLY FILL SOLENOID BARISTA T
PM.390	CJTO. DISTRIBUIDOR VOLUMETRICOS BARISTA T 3GR	ASSY. FLOWMETER DISTRIBUTOR BARISTA T 3GR
PM.393	CJTO GRIFO DESAGÜE BARISTA T	ASSEMBLY DRAIN TAP BARISTA T
PM.409	CJTO. AGUA CALIENTE BARISTA T ONE	ASSY. HOT WATER BARISTA T ONE
PM.423	CJTO SALIDA AGUA CALIENTE BARISTA T PLUS	ASSY HOT WATER OUTLET BARISTA T PLUS
V..502	JUNTA VOLUMETRICO BIG DREAM	O.RING FLOWMETER BIG DREAM
V..503	ASPA VOLUMETRICO BIG DREAM	WHEEL FLOWMETER BIG DREAM

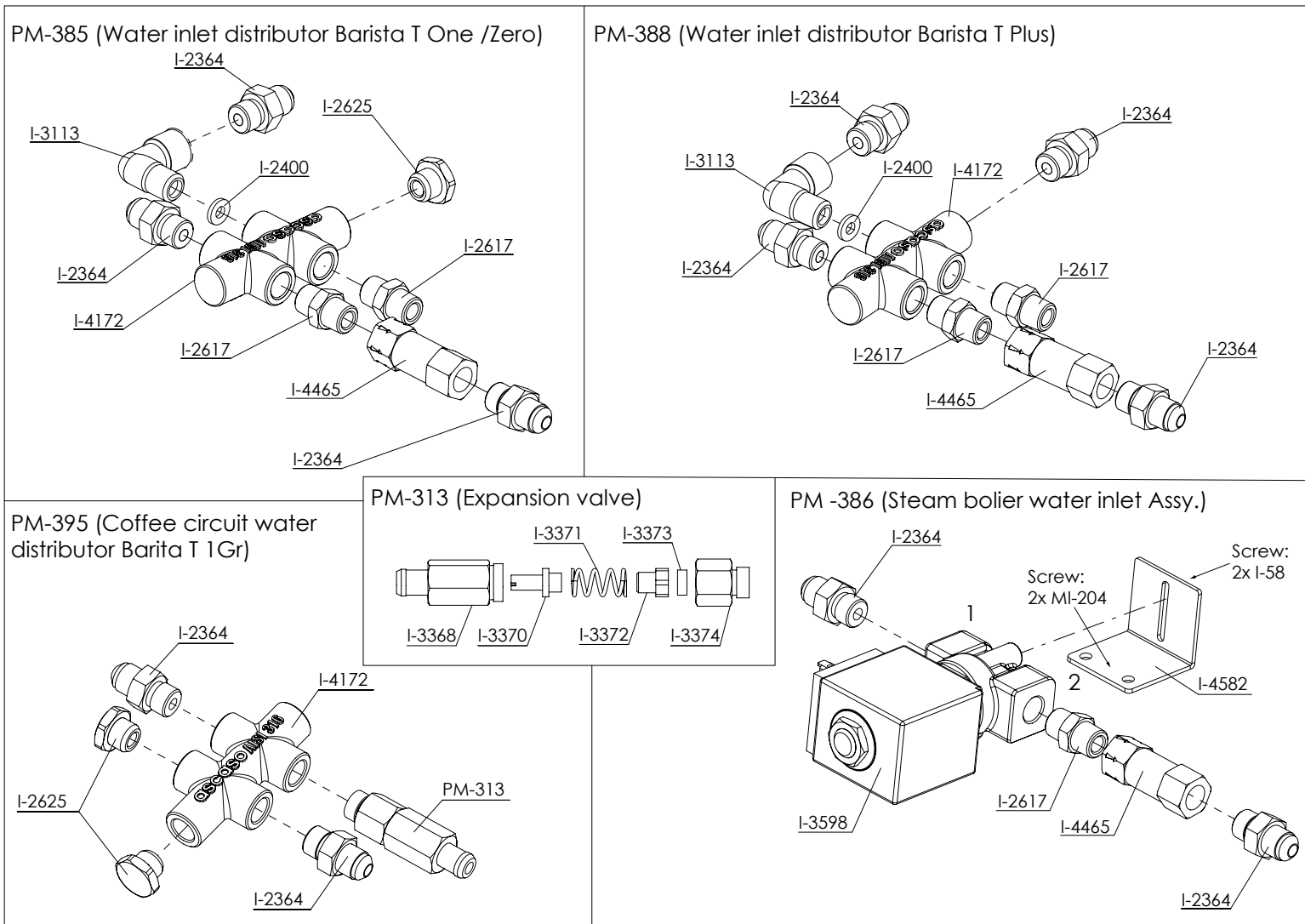




REF.	DESCRIPCIÓN	DESCRIPTION
I...99	TORNILLO DIN 7985 M3x8 INOX A.4	SCREW DIN 7985 M3x8 INOX A.4
I.1360	EMBELLECEDOR BOTONERA	DOSING DEVICE PROTECTOR
I.1361	INTERRUPTOR L	SWITCH L
I.1362	INTERRUPTOR L2	SWITCH L2
I.1363	INTERRUPTOR S	SWITCH S
I.1364	INTERRUPTOR S2	SWITCH S2
I.1365	INTERRUPTOR XL	SWITCH XL
I.1366	BOTÓN TECLA L	KEY L
I.1367	BOTÓN TECLA L2	KEY L2
I.1368	BOTÓN TECLA S	KEY S
I.1369	BOTÓN TECLA S2	KEY S2
I.1370	BOTÓN TECLA XL	KEY XL
I.2550	INTERRUPTOR ON.OFF KAP	ON.OFF KAP SWITCH
I.2894	INTERRUPTOR GENERAL BIG DREAM	BIG DREAM MAIN SWITCH
I.3538	MIRILLA BARISTA T	SCREEN BARISTA T
I.3543	TAPA BOTONERA BARISTA T	DOSING PANNEL LID BARISTA T
I.3593	INTERRUPTOR AV D.25 BARISTA T	BARISTA T D.25 AV SWITCH
I.3594	PLACA ELECTRÓNICA BOTONERA BARISTA T	DOSING PANNEL ELECTRONIC PLATE BARISTA T
I.3679	PROTECTOR PVC INTERRUPTOR	PVC SWITCH PROTECTOR RL.31
I.4440	SOPORTE INTERRUPTOR	SWITCH BRACKET
I.4575	TAPA CAJA BOTONERA 2018	DOSING DEVICE BOX LID 2018
PM.384	CONJUNTO BOTONERA BARISTA T	ASSY DOSING PANNEL BARISTA T
MI.204	TORNILLO DIN 7985 M4X10	SCREEW DIN 7985 M4X10

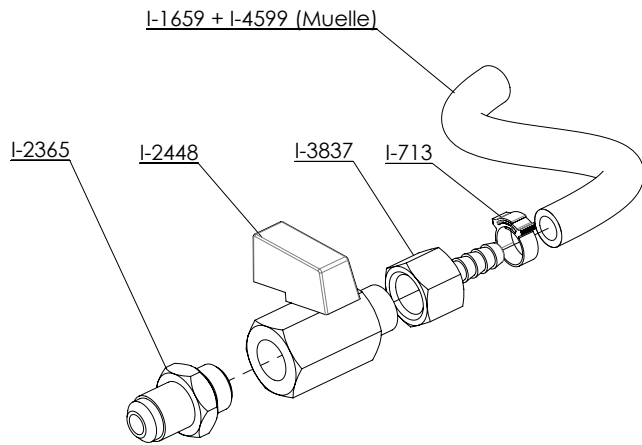


REF.	DESCRIPCIÓN	DESCRIPTION
FRI.226	TONILLO DIN 7981 3.5X9	SCREW DIN 7981 3.5X9
I.1358	CAJA BOTONERA	DOSING DEVICE BOX
I.1360	EMBELLECEDOR BOTONERA	DOSING DEVICE PROTECTOR
I.1361	INTERRUPTOR L	SWITCH L
I.1362	INTERRUPTOR L2	SWITCH L2
I.1363	INTERRUPTOR S	SWITCH S
I.1364	INTERRUPTOR S2	SWITCH S2
I.1365	INTERRUPTOR XL	SWITCH XL
I.1366	BOTÓN TECLA L	KEY L
I.1367	BOTÓN TECLA L2	KEY L2
I.1368	BOTÓN TECLA S	KEY S
I.1369	BOTÓN TECLA S2	KEY S2
I.1370	BOTÓN TECLA XL	KEY XL
I.1645	PLACA ELECTRÓNICA BOTONERA	DOSING PANNEL ELECTRONIC PLATE
I.2550	INTERRUPTOR ON.OFF KAP	ON.OFF KAP SWITCH
I.2894	INTERRUPTOR GENERAL BIG DREAM	BIG DREAM MAIN SWITCH
I.3679	PROTECTOR PVC INTERRUPTOR	PVC SWITCH PROTECTOR RL.31
I.4440	SOPORTE INTERRUPTOR	SWITCH BRACKET
I.4575	TAPA CAJA BOTONERA 2018	DOSING DEVICE BOX LID 2018
MI.204	TORNILLO DIN 7985 M4X10	SCREW DIN 7985 M4X10
PM.118	CJTO BOTONERA BARISTA RAISED	ELECTRONIC BOX BARISTA RAISED

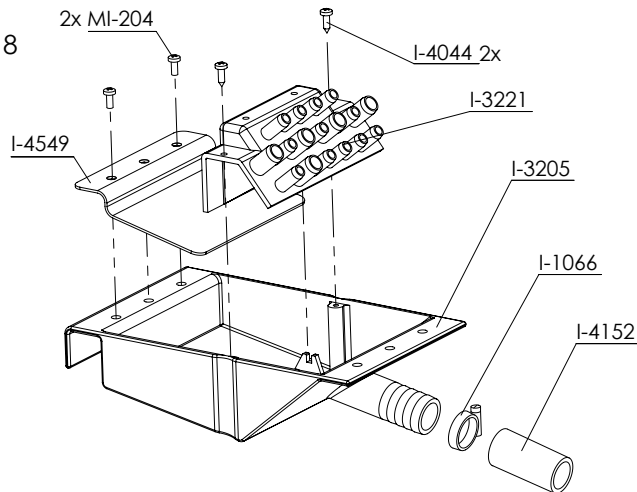


REF.	DESCRIPCIÓN	DESCRIPTION
I...58	TORNILLO M4x6 DIN 7985 A.4	SCREW M4x6 DIN 7985 A.4
I.2364	RACOR CONTADOR VOLUMETRICO 1/8".1/8"	FITTING VOLUMETRIC CONTROL 1/8".1/8"
I.2400	JUNTA COBRE 1/8"	COPPER JOINT 1/8"
I.2617	CONECTOR RECTO 1/8 M.M	STRAIGHT CONNECTOR 1/8 M.M
I.2625	TAPÓN M 1/8	PLUG M 1/8
I.3113	RACOR CODO M 1/8"R . H 1/8"G INOX	FITTING ELBOW M 1/8"R . H 1/8"G
I.3368	SALIDA VALVULA EXPANSION BIG DREAM	OUTPUT EXPANSION VALVE BIG DREAM
I.3370	REGULADOR VALVULA EXPANSION BIG DREAM	REGULATOR VALVE EXPANSION BIG DREAM
I.3371	MUELLE VALVULA EXPANSION BIG DREAM	VALVE EXPANSION SPRING BIG DREAM
I.3372	EMBOLO VALVULA EXPANSION BIG DREAM	PISTON VALVE EXPANSION BIG DREAM
I.3373	MANGUITO DESCARGA VALVULA EXPANSION	OUTLET EXPANSION VALVE
I.3374	CUERPO VALVULA EXPANSION BIG DREAM	EXPANSION VALVE BODY BIG DREAM
I.3598	EV LLENADO BT 2/2 NC FKM DN1.5MM G1/8 230V	FILL SOLENOID BT 2/2 NC FKM DN1.5MM G1/8 230V
I.4117	MANGUITO 1/8" INOX	1/8 INOX FITTING
I.4172	COLECTOR BIG DREAM	MANIFOLD
I.4582	SOPORTE EV LLENADO BARISTA T	FILLING SOLENOID SUPPORT BARISTA T
I.4465	VALVULA ANTIRRETORNO 1/8 M.H	NON.RETURN VALVE 1/8 M.H
MI.204	TORNILLO M4x10 DIN7985 INOX A4.80	SCREW M4x10 DIN7985 INOX A4.80
PM.313	VALVULA EXPANSION INOX BIG DREAM	EXPANSION VALVES INOX BD
PM.385	CJTO DISTRIBUIDOR LLENADO BARISTA T ONE	ASSY FILL DISTRIBUTOR BARISTA T ONE
PM.386	CJTO EV LLENADO BARISTA T	ASSY FILL SOLENOID BARISTA T
PM.388	CJTO DISTRIBUIDOR LLENADO BARISTA T PLUS	ASSY FILL DISTRIBUTOR BARISTA T ONE
PM.395	CJTO DISTRIBUIDOR VOLUMETRICOS BARISTA T 1GR	ASSY FLOWMETER DISTRIBUTOR BARISTA T 1GR

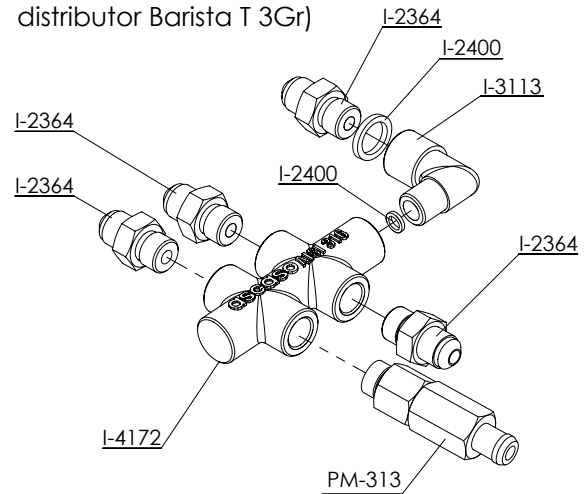
PM-393



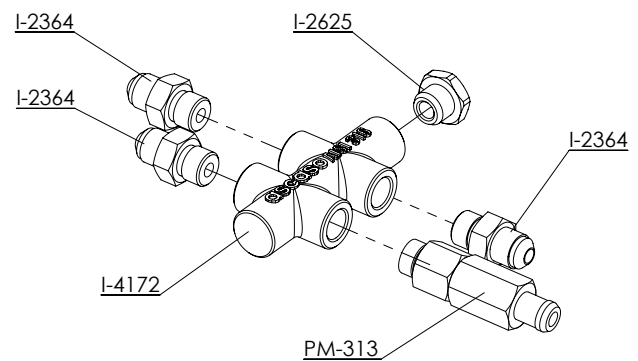
PM-418



PM-390 (Coffee circuit water distributor Barista T 3Gr)

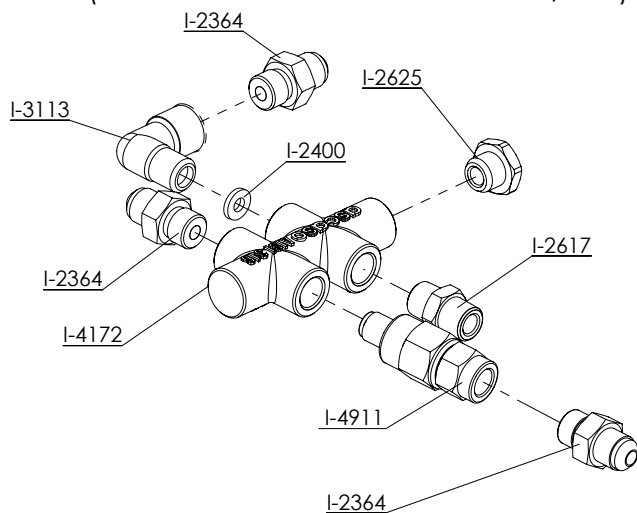


PM-389 (Coffee circuit water distributor Barista T 2Gr)

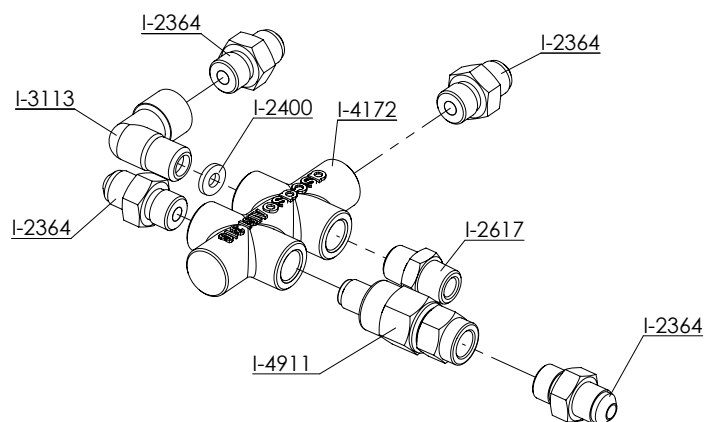


REF.	DESCRIPCIÓN	DESCRIPTION
I..488	RACOR CODO 1/8 M.H	1/8 M.H ELBOW FITTING
I..713	ABRAZADERA	CLAMP
I.1066	ABRAZADERA DIAM. 12 a 22mm	CLAMP DIAM 12
I.1659	TUBO SILICONA 7X11 (300MM)	SILICONE PIPE 7X11 (300MM)
I.2400	JUNTA COBRE 1/8"	COPPER JOINT 1/8"
I.2364	RACOR CONTADOR VOLUMETRICO 1/8".1/8"	FITTING VOLUMETRIC CONTROL 1/8".1/8"
I.2365	RACOR CALDERA 1/4" INOX	BOILER FITTING 1/4" INOX
I.2448	VÁLVULA BOLA 1/4 BARISTA	BARISTA SOLENOID BALL 1/4
I.2625	TAPON M 1/8 INOX	PLUG M 1/8 INOX
I.3113	RACOR CODO M 1/8"R . H 1/8"G INOX	FITTING ELBOW M 1/8"R . H 1/8"G
I.3205	CAZOLETA DESAGÜE	WATER DRAIN
I.3221	COLECTOR CAZOLETA DE DESAGÜE	WATER DRAIN COLLECTOR
I.3837	ESPIGA HEMBRA 7 1/4	FITTING
I.4044	TORNILLO DIN 7981 2,9X9,5 INOX	SCREW DIN 7981 2,9X9,5 INOX
I.4152	TUBO DESAGÜE D18 (300MM)	DRAIN PIPE
I.4172	COLECTOR BIG DREAM	MANIFOLD
I.4549	PROTECTOR DESAGÜE	DRAIN PROTECTOR
I.4599	MUELLE EXTERIOR TUBO DESCARGA BARISTA T	EXTERNAL SPRING DISCHARGE TUBE BARISTA
MI.204	TORNILLO M4x10 DIN7985 INOX A4.80	SCREW M4x10 DIN7985 INOX A4.80
PM.313	VALVULA EXPANSION INOX BIG DREAM	EXPANSION VALVE INOX BD
PM.390	CJTO DISTRIBUIDOR VOLUMETRICOS BARISTA T 3GR	ASSY FLOWMETER DISTRIBUTOR BARISTA T 3GR
PM.389	CJTO DISTRIBUIDOR VOLUMETRICOS BARISTA T 2GR	ASSY FLOWMETER DISTRIBUTOR BARISTA T 2GR
PM.393	CJTO GRIFO DESAGÜE BARISTA T	ASSY DRAIN TAP BARISTA T
PM.418	CONJUNTO CAZOLETA DESAGÜE	ASSEMBLY WATER DRAIN

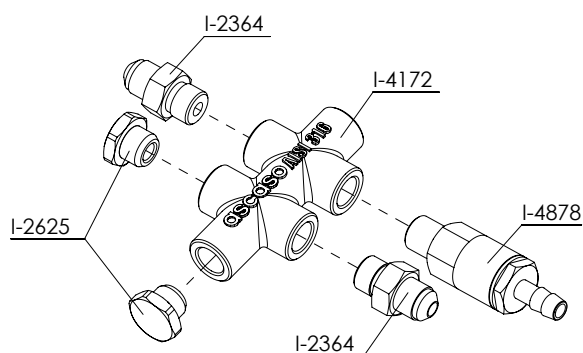
PM-385 (Water inlet distributor Barista T One /Zero)



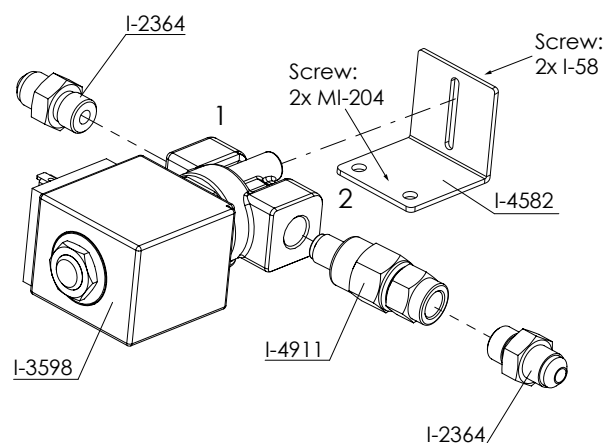
PM-388 (Water inlet distributor Barista T Plus)



PM-395 (Coffee circuit water distributor Barista T 1Gr)



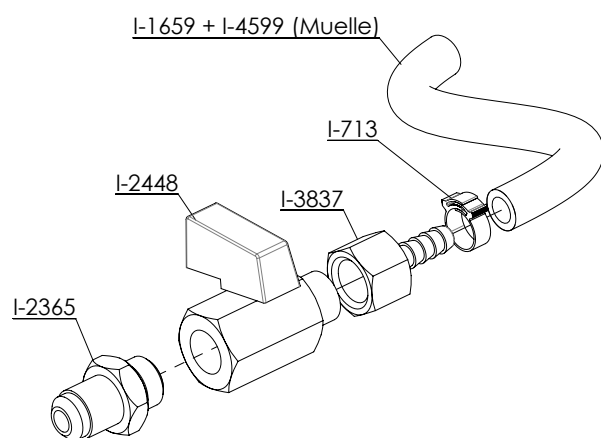
PM -386 (Steam boiler water inlet Assy.)



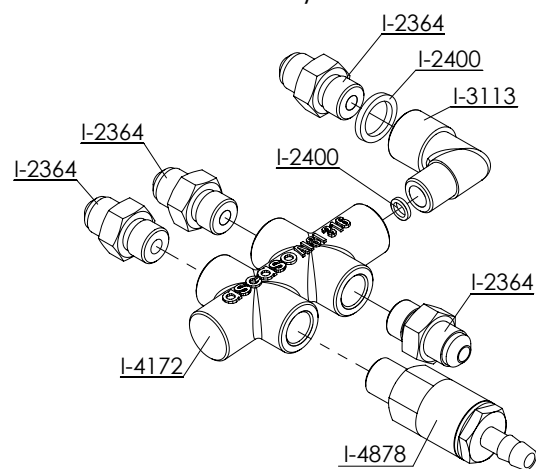
REF.	DESCRIPCIÓN
I...58	TORNILLO BRIDA FUSIBLE INOX
I.2364	RACOR CONTADOR VOLUMETRICO 1/8".1/8" INOX
I.2400	JUNTA COBRE 1/8"
I.2617	CONECTOR RECTO 1/8 M.M INOX
I.2625	TAPON M 1/8 INOX
I.3113	RACOR CODO M 1/8"R . H 1/8"G INOX
I.3598	EV LLENADO BT 2/2 NC FKM DN1.5mm G1/8 230V
I.4172	COLECTOR BIG DREAM/BARISTA T
I.4582	SOPORTE EV LLENADO BARISTA T
I.4878	VALVULA EXPANSION 1/8". D.6 12.5bar
I.4911	ANTIRRETORNO DISTRIBUIDOR ENTRADA AGUA BARISTA T
MI.204	TORNILLO M4x10 INOX
PM.385	CJTO DISTRIBUIDOR LLENADO BARISTA T ONE/ZERO
PM.386	CJTO EV LLENADO BARISTA T
PM.388	CJTO DISTRIBUIDOR LLENADO BARISTA T PLUS
PM.395	CJTO DISTRIBUIDOR VOLUMETRICOS BARISTA T 1GR

DESCRIPTION
SCREW
FITTING VOLUMETRIC CONTROL 1/8".1/8"
COPPER JOINT 1/8"
STRAIGHT CONNECTOR 1/8 M.M INOX
PLUG M 1/8 INOX
FITTING ELBOW M 1/8"R . H 1/8"G
FILL SOLENOID BT 2/2 NC FKM DN1.5mm G1/8 230V
MANIFOLD BIG DREAM/BARISTA T
FILLING SOLENOID SUPPORT BARISTA T
EXPANSION VALVE 1/8". D.6 12.5bar1/8". D.6 12.5bar
BARISTA T WATER INLET DISTRIBUTOR 1 WAY VALVE
SCREW
FILL DISTRIBUTOR BARISTA T ONE
FILL SOLENOID BARISTA T
FILL DISTRIBUTOR BARISTA T ONE
FLOWMETER DISTRIBUTOR BARISTA T 1GR

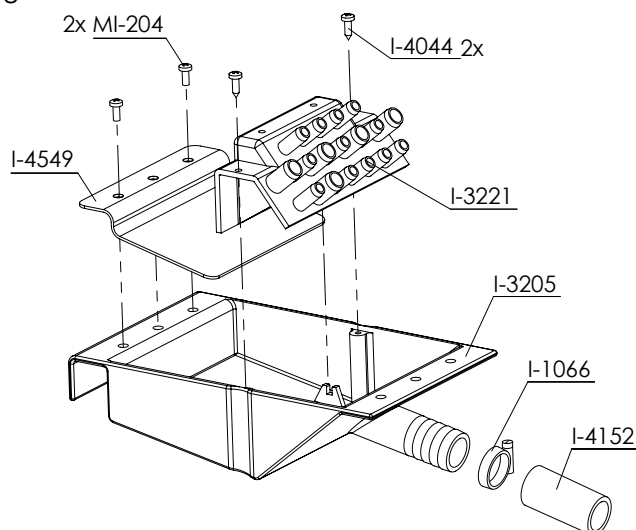
PM-393



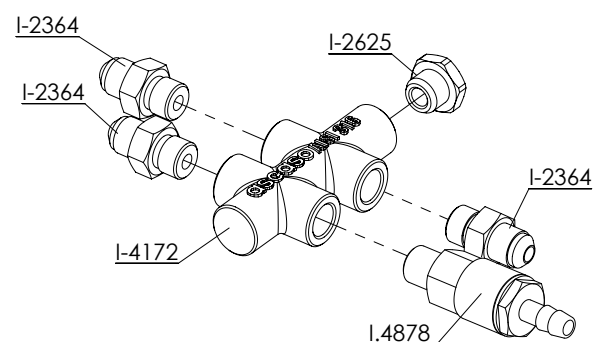
PM-390 (Coffee circuit water distributor Barista T 3Gr)



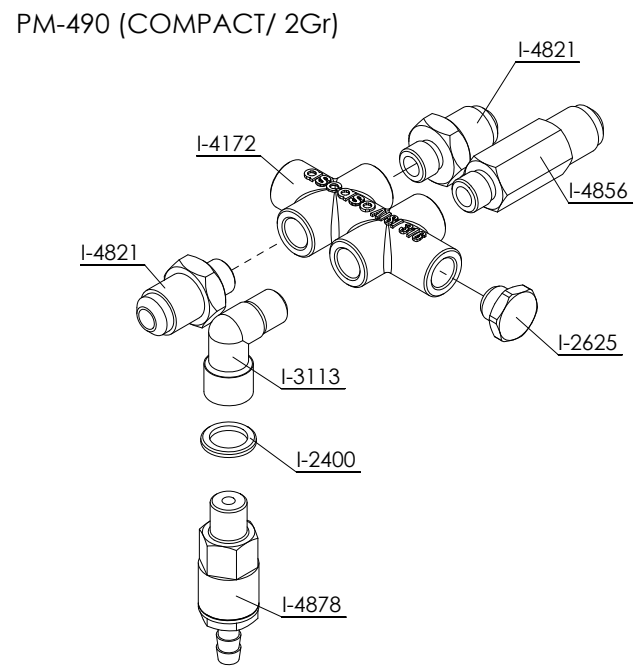
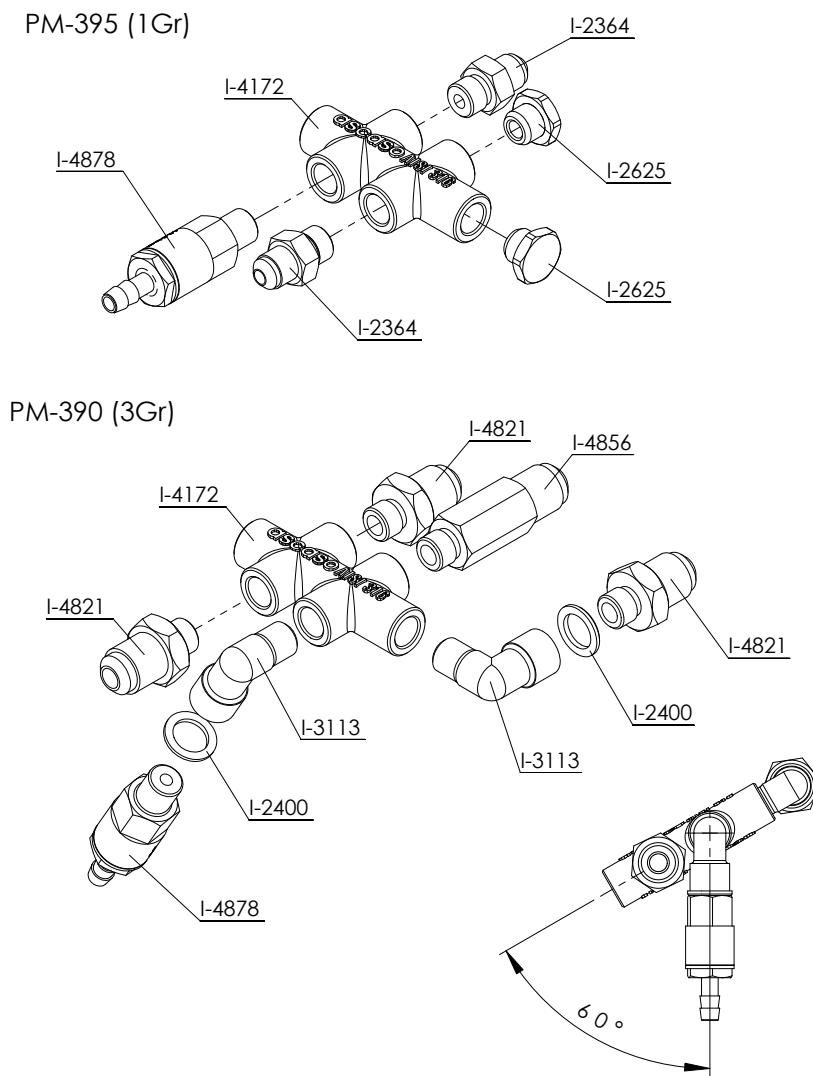
PM-418



PM-389 (Coffee circuit water distributor Barista T 2Gr)

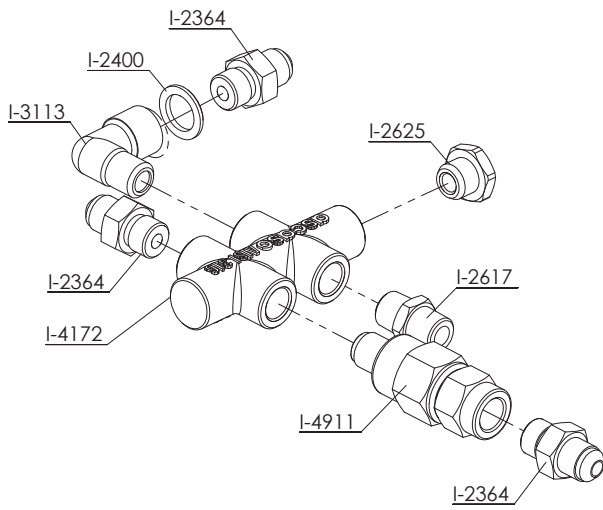


REF.	DESCRIPCIÓN	DESCRIPTION
I.713	ABRAZADERA PARA LATIGUILLOS 9.2.10.5	CLAMP
I.1066	ABRAZADERA DIAM. 12 a 22mm	CLAMP DIAM 12
I.1659	TUBO SILICONA 7X11 (300mm)	SILICONE D=13X10 L=50 MM PIPE
I.2364	RACOR CONTADOR VOLUMETRICO 1/8".1/8" INOX	FITTING VOLUMETRIC CONTROL 1/8".1/8"
I.2365	RACOR CALDERA 1/4" INOX	FITTING BOILER 1/4"
I.2400	JUNTA COBRE 1/8"	COPPER JOINT 1/8"
I.2448	VALVULA BOLA 1/4 BARISTA	BARISTA SOLENOID BALL 1/4
I.2625	TAPON M 1/8 INOX	PLUG M 1/8 INOX
I.3113	RACOR CODO M 1/8"R . H 1/8"G INOX	FITTING ELBOW M 1/8"R . H 1/8"G
I.3205	CAZOLETA DESAGÜE	WATER DRAIN
I.3221	COLECTOR CAZOLETA DE DESAGÜE	WATER DRAIN COLLECTOR
I.3837	ESPIGA HEMBRA 7 1/4	FITTING
I.4044	TORNILLO DIN 7981 2,9x9,5 INOX	SCREW DIN 7981 2,9x9,5 INOX
I.4152	TUBO DESAGÜE D18	DRAIN PIPE
I.4172	COLECTOR BIG DREAM/BARISTA T	MANIFOLD BIG DREAM/BARISTA T
I.4549	PROTECTOR DESAGÜE BARISTA T	DRAIN PROTECTOR BARISTA T
I.4599	MUELLE EXTERIOR TUBO DESCARGA BARISTA T	EXTERNAL SPRING DISCHARGE TUBE BARISTA
I.4878	VALVULA EXPANSION 1/8". D.6 12.5bar	EXPANSION VALVE 1/8". D.6 12.5bar
MI.204	TORNILLO M4x10 INOX	SCREW
PM.389	CJTO DISTRIBUIDOR VOLUMETRICOS BARISTA T 2GR	FLOWMETER DISTRIBUTOR BARISTA T 2GR
PM.390	CJTO DISTRIBUIDOR VOLUMETRICOS BARISTA T 3GR	FLOWMETER DISTRIBUTOR BARISTA T 3GR
PM.393	CJTO GRIFO DESAGÜE BARISTA T	DRAIN TAP BARISTA T
PM.418	CJTO. CAZOLETA DESAGÜE BARISTA T	WATER DRAIN BARISTA T

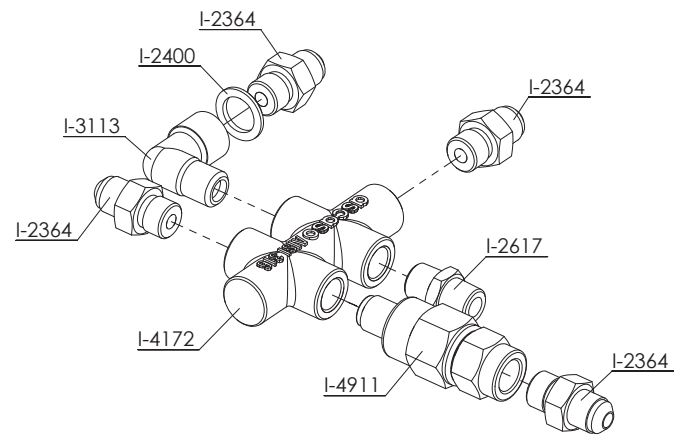


REF.	DESCRIPCIÓN	DESCRIPTION
I.2364	RACOR CONTADOR VOLUMETRICO 1/8".1/8" INOX	FITTING VOLUMETRIC CONTROL 1/8".1/8"
I.2400	JUNTA COBRE 1/8"	COPPER JOINT 1/8"
I.2625	TAPON M 1/8 INOX	PLUG M 1/8 INOX
I.3113	RACOR CODO M 1/8"R . H 1/8"G INOX	FITTING ELBOW M 1/8"R . H 1/8"G
I.4172	COLECTOR BIG DREAM/BARISTA T	MANIFOLD BIG DREAM/BARISTA T
I.4821	RACOR 1/8" . 1/4" ABOCARDADO	FITTING 1/8" . 1/4" FLARED
I.4856	RACOR 1/8" LARGO .1/4" ABOCARDADO	FITTING 1/4 LONG 1/8 BOTHERED
I.4878	VALVULA EXPANSION 1/8". D.6 12.5bar	EXPANSION VALVE 1/8". D.6 12.5bar
PM.390	DISTRIBUIDOR VOLUMETRICOS BARISTA T 3GR	FLOWMETER DISTRIBUTOR BARISTA T 3GR
PM.395	DISTRIBUIDOR VOLUMETRICOS BARISTA T 1GR	FLOWMETER DISTRIBUTOR BARISTA T 1GR
PM.490	SISTEMA COMPLETO DISTRIBUIDOR VOLUMETRICOS BARISTA	FLOWMETER DISTRIBUTOR BARISTA T 2GR COMPACT

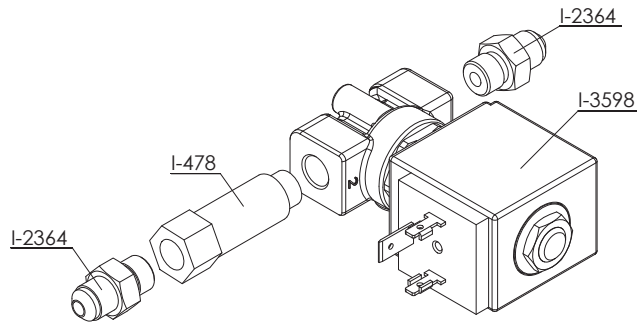
PM-385 - FILL DISTRIBUTOR BARISTA T ONE/ZERO ASSEMBLY 1GR



PM-388 - FILL DISTRIBUTOR BARISTA T PLUS 1GR



PM-386 - FILL SOLENOID BARISTA T ASSEMBLY 1GR

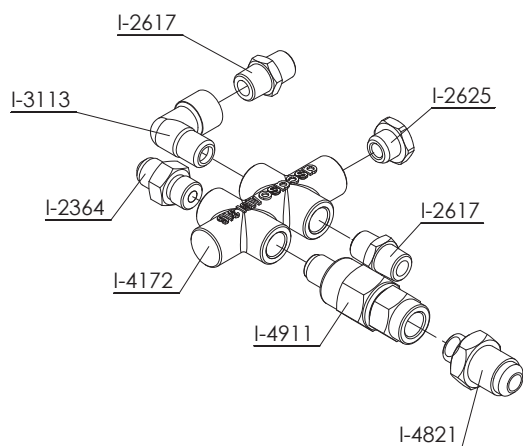


REF.	DESCRIPCIÓN
I.478	PROLONGACION INTERCAM.VAPOR
I.2364	RACOR CONTADOR VOLUMETRICO 1/8".1/8" INOX
I.2400	JUNTA COBRE 1/8"
I.2617	CONECTOR RECTO 1/8 M.M INOX
I.2625	TAPON M 1/8 INOX
I.3113	RACOR CODO M 1/8"R . H 1/8"G INOX
I.3598	ELECTROVALVULA LLENADO BT 2/2 NC FKM DN1.5mm 230V
I.4172	COLECTOR BIG DREAM/BARISTA T
I.4911	ANTIRRETORNO DISTRIBUIDOR ENTRADA AGUA BARISTA T
PM.385	CONJUNTO DISTRIBUIDOR LLENADO BARISTA T ONE/ZERO
PM.386	CONJUNTO ELECTROVALVULA LLENADO BARISTA T
PM.388	CONJUNTO DISTRIBUIDOR LLENADO BARISTA T PLUS

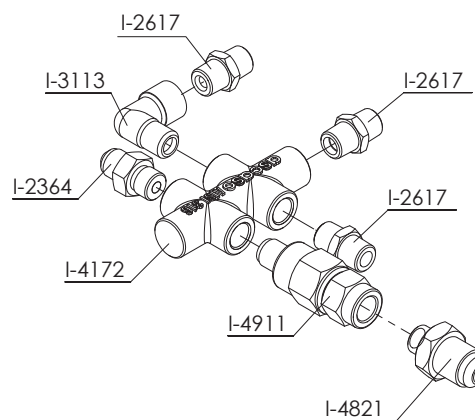
DESCRIPTION
PROLONGATION
FITTING VOLUMETRIC CONTROL 1/8".1/8"
COPPER JOINT 1/8"
STRAIGHT CONNECTOR 1/8 M.M INOX
PLUG M 1/8 INOX
FITTING ELBOW M 1/8"R . H 1/8"G
FILL SOLENOID BT 2/2 NC FKM DN1.5mm G1/8 230V
MANIFOLD BIG DREAM/BARISTA T
BARISTA T WATER INLET DISTRIBUTOR 1 WAY VALVE
FILL DISTRIBUTOR BARISTA T ONE/ZERO ASSEMBLY
FILL SOLENOID BARISTA T ASSEMBLY
FILL DISTRIBUTOR BARISTA T PLUS



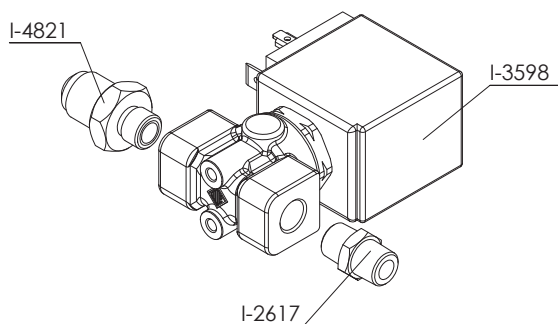
PM-496 - FILL DISTRIBUTOR BARISTA T ONE/ZERO ASSEMBLY  
COMPACT /2GR/3GR



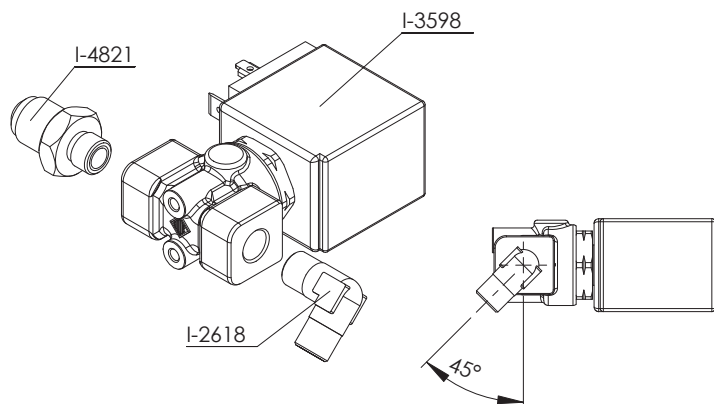
PM-497 - FILL DISTRIBUTOR BARISTA T PLUS ASSEMBLY  
COMPACT/2GR/3GR



PM-495 - FILL SOLENOID BARISTA T ASEMBLY  
(ZERO/ONE/PLUS)



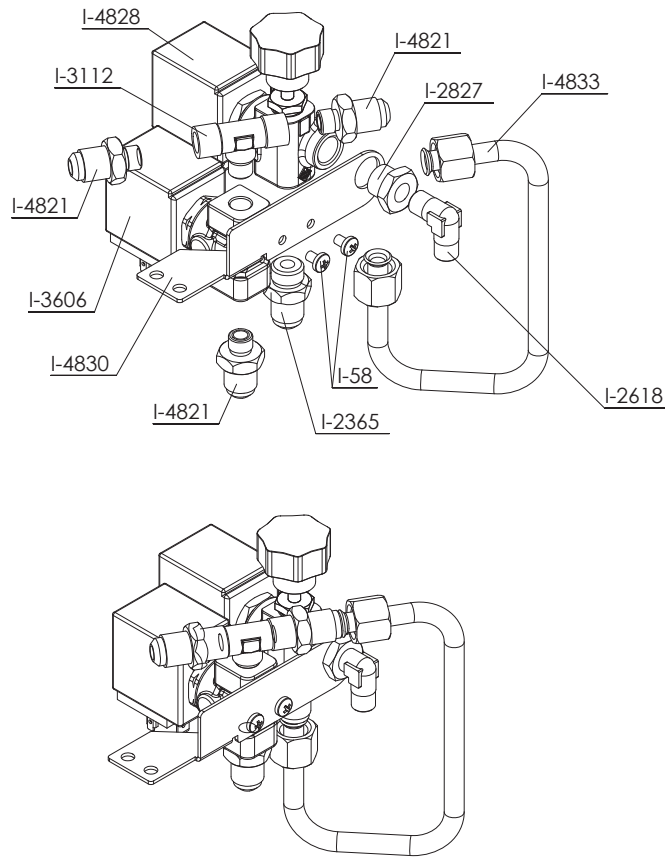
PM-513 - FILL SOLENOID BARISTA T ASEMBLY FLEX TUBE  
ZERO/ONE/PLUS)



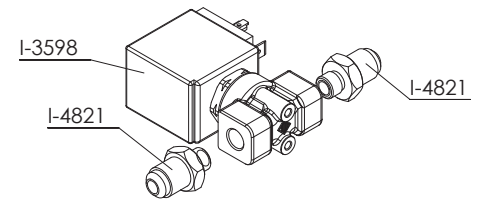
REF.	DESCRIPCIÓN
I.2364	RACOR CONTADOR VOLUMETRICO 1/8".1/8" INOX
I.2617	CONECTOR RECTO 1/8 M.M INOX
I.2618	RACOR CODO 1/8 M.M INOX
I.2625	TAPON M 1/8 INOX
I.3113	RACOR CODO M 1/8"R . H 1/8"G INOX
I.3598	ELECTROVALVULA LLENADO BT 2/2 NC FKM DN1.5mm 230V
I.4172	COLECTOR BIG DREAM/BARISTA T
I.4821	RACOR 1/8" . 1/4" ABOCARDADO
I.4911	ANTIRRETORNO DISTRIBUIDOR ENTRADA AGUA BARISTA T
PM.495	CONJUNTO ELECTROVALVULA LLENADO BARISTA T D.8
PM.496	CONJUNTO DISTRIBUIDOR LLENADO BARISTA T ONE/ZERO D
PM.497	CONJUNTO DISTRIBUIDOR LLENADO BARISTA T PLUS D.8
PM.513	CONJUNTO ELECTROVALVULA LLENADO BARISTA T FLEXO

DESCRIPTION
FITTING VOLUMETRIC CONTROL 1/8".1/8"
STRAIGHT CONNECTOR 1/8 M.M INOX
ELBOW FITTING 1/8 M.M INOX (old I.90)
PLUG M 1/8 INOX
FITTING ELBOW M 1/8"R . H 1/8"G
FILL SOLENOID BT 2/2 NC FKM DN1.5mm G1/8 230V
MANIFOLD BIG DREAM/BARISTA T
FITTING 1/8" . 1/4" FLARED
BARISTA T WATER INLET DISTRIBUTOR 1 WAY VALVE
FILL SOLENOID BARISTA T ASEMBLY D.8
FILL DISTRIBUTOR BARISTA T ONE/ZERO ASSEMBLY D.8
FILL DISTRIBUTOR BARISTA T PLUS ASSEMBLY D.8
FILL SOLENOID BARISTA T ASEMBLY FLEX TUBE

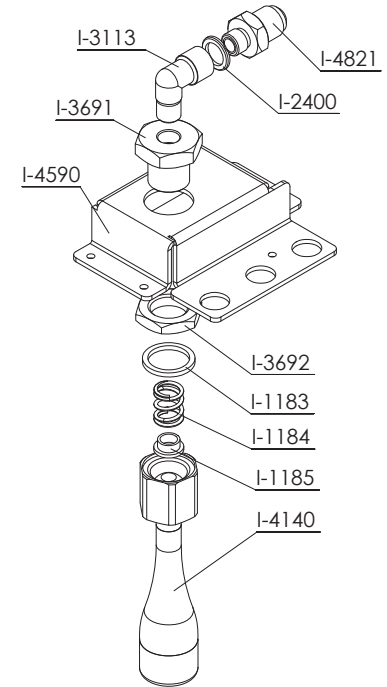
PM-514 - ADJUSTABLE SOLENOID VALVE MIXER ASSEMBLY  
BARISTA T PLUS



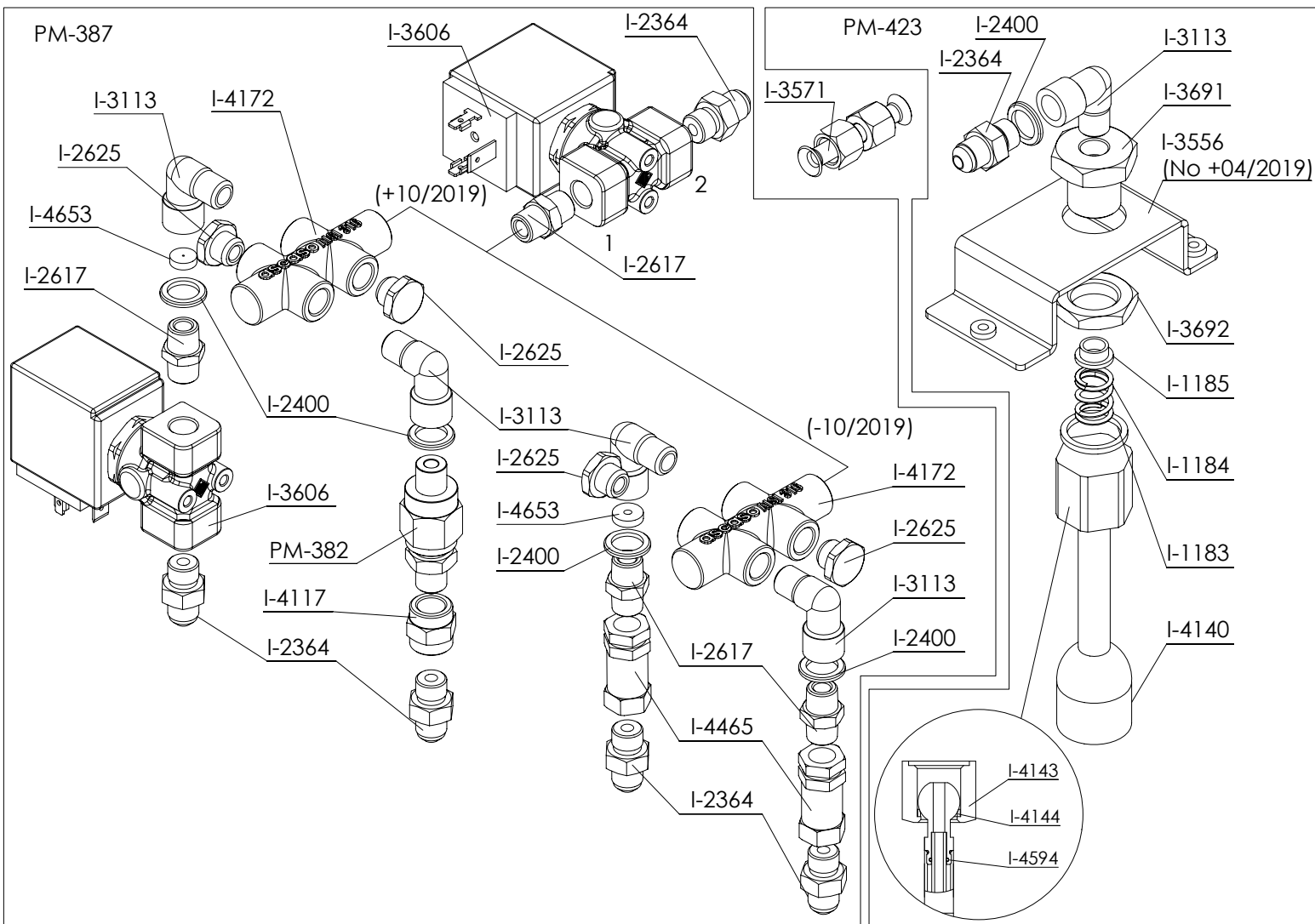
PM-409 - HOT WATER BARISTA T ONE 2GR/3GR



PM-423 - HOT WATER OUTLET BARISTA T  
BT ONE (2GR/3GR) - BT PLUS

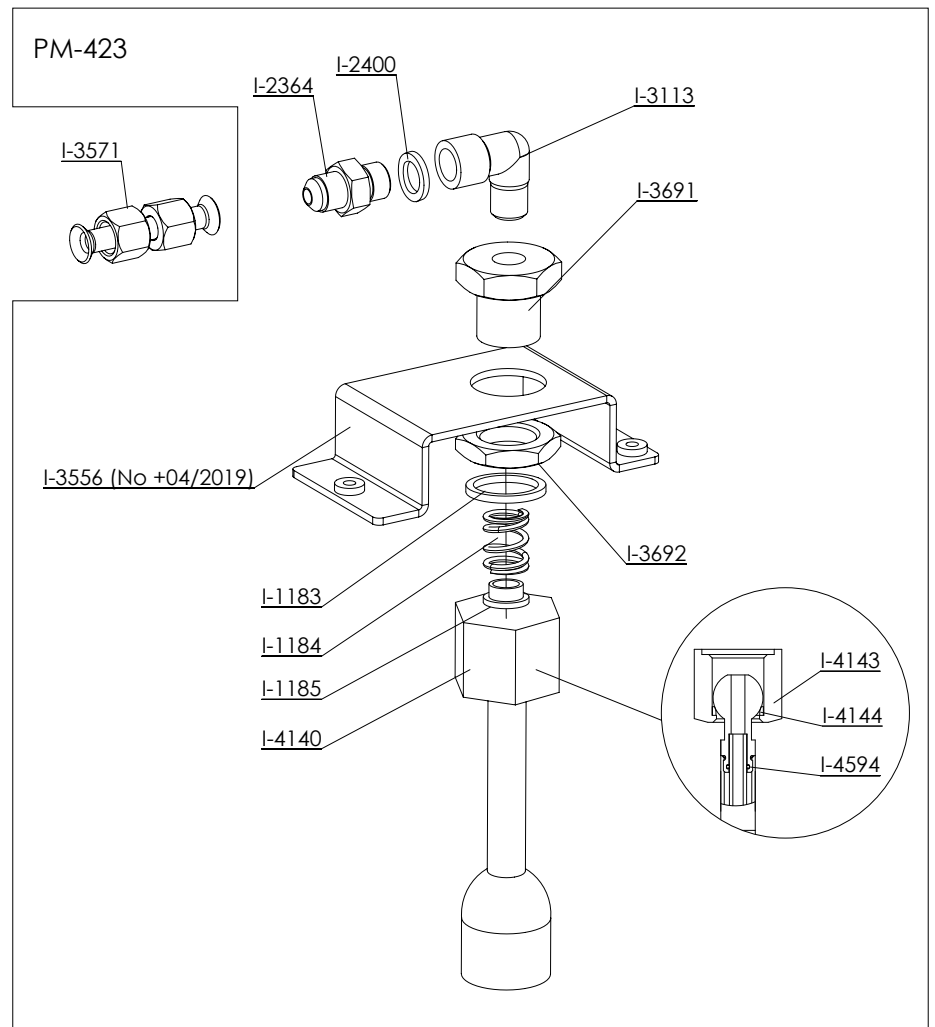
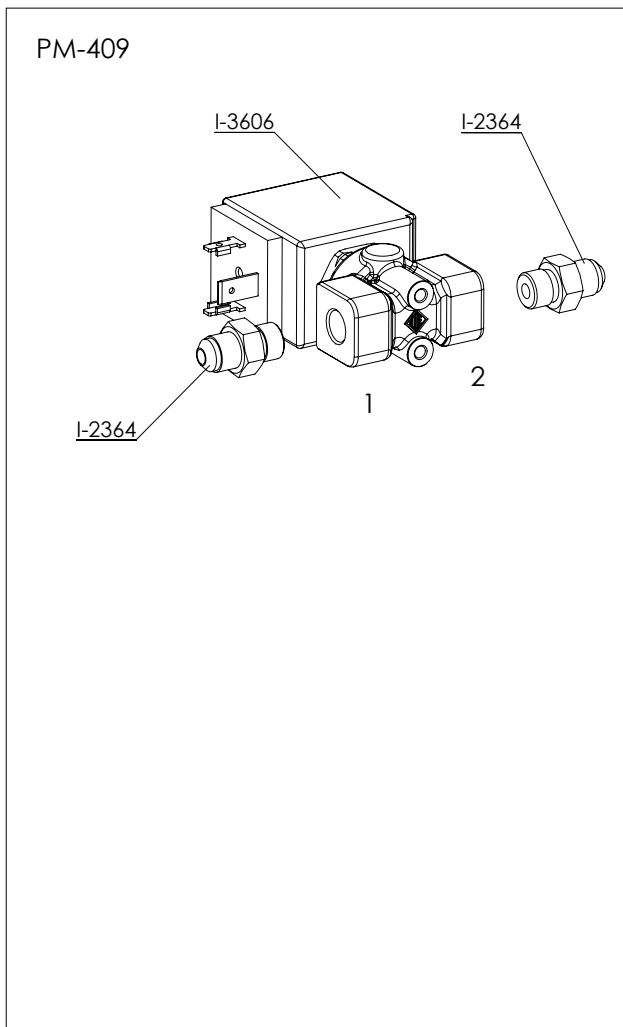


REF.	DESCRIPCIÓN	DESCRIPTION
I...58	TORNILLO BRIDA FUSIBLE INOX	SCREW
I.1183	ARANDELA GRIFO AGUA	WATER TAP WASHER
I.1184	MUELLE GRIFO SALIDA VAPOR.AGUA	STEAM . WATER OUTLET TAP SPRING
I.1185	GUIA MUELLE GRIFO AGUA	SPRING GUIDE WATER TAP
I.2365	RACOR CALDERA 1/4" INOX	FITTING BOILER 1/4"
I.2400	JUNTA COBRE 1/8"	COPPER JOINT 1/8"
I.2618	RACOR CODO 1/8 M.M INOX	ELBOW FITTING 1/8 M.M INOX (old I.90)
I.2827	REDUCTOR CILINDRICO 1/4 1/8	REDUCTOR
I.3112	RACOR T M 1/8"R . H 1/8"G + H 1/8"G	FITTING TEE M 1/8"R . H 1/8"G + H 1/8"G
I.3113	RACOR CODO M 1/8"R . H 1/8"G INOX	FITTING ELBOW M 1/8"R . H 1/8"G
I.3598	ELECTROVALVULA LLENADO BT 2/2 NC FKM DN1.5mm 230V	FILL SOLENOID BT 2/2 NC FKM DN1.5mm G1/8 230V
I.3606	ELECTROVALVULA AGUA CALIENTE 2/2 RUBY DN3.0mm 230V	SOLENOID HOTWATER BT 2/2 NC RUBY DN3.0mm G1/8 230V
I.3691	RACOR EV . SALIDA AGUA	RACORD SOLENOID . WATER EXIT
I.3692	TUERCA RACOR EV . SALIDA AGUA	RACORD NUT SOLENOID . WATER EXIT
I.4140	TUBO AGUA INOX ANTICALORICO PTFE	INOX WATER PIPE PTFE
I.4590	SOPORTE GRIFO.LED BARISTA T	SUPPORT TAPLED BARISTA T
I.4821	RACOR 1/8" . 1/4" ABOCARDADO	FITTING 1/8" . 1/4" FLARED
I.4828	ELECTROVALVULA MEZCLADORA AGUA FRIA BARISTA T PLUS	COLD WATER MIXING SOLENOID VALVE BARISTA T PLUS
I.4830	SOPORTE VALVULA REGULADORA BARISTA T	REGULATING VALVE SUPPORT BARISTA T
I.4833	TUBO ELECTROVALVULA REGULADORA BARISTA T	REGULATOR SOLENOID PIPE BARISTA T
PM.409	AGUA CALIENTE BARISTA T ONE	HOT WATER BARISTA T ONE
PM.423	SALIDA AGUA CALIENTE BARISTA T	HOT WATER OUTLET BARISTA T
PM.514	CONJUNTO MIXER EV REGULABLE BARISTA T PLUS	ADJUSTABLE SOLENOID VALVE MIXER ASSEMBLY BARISTA T

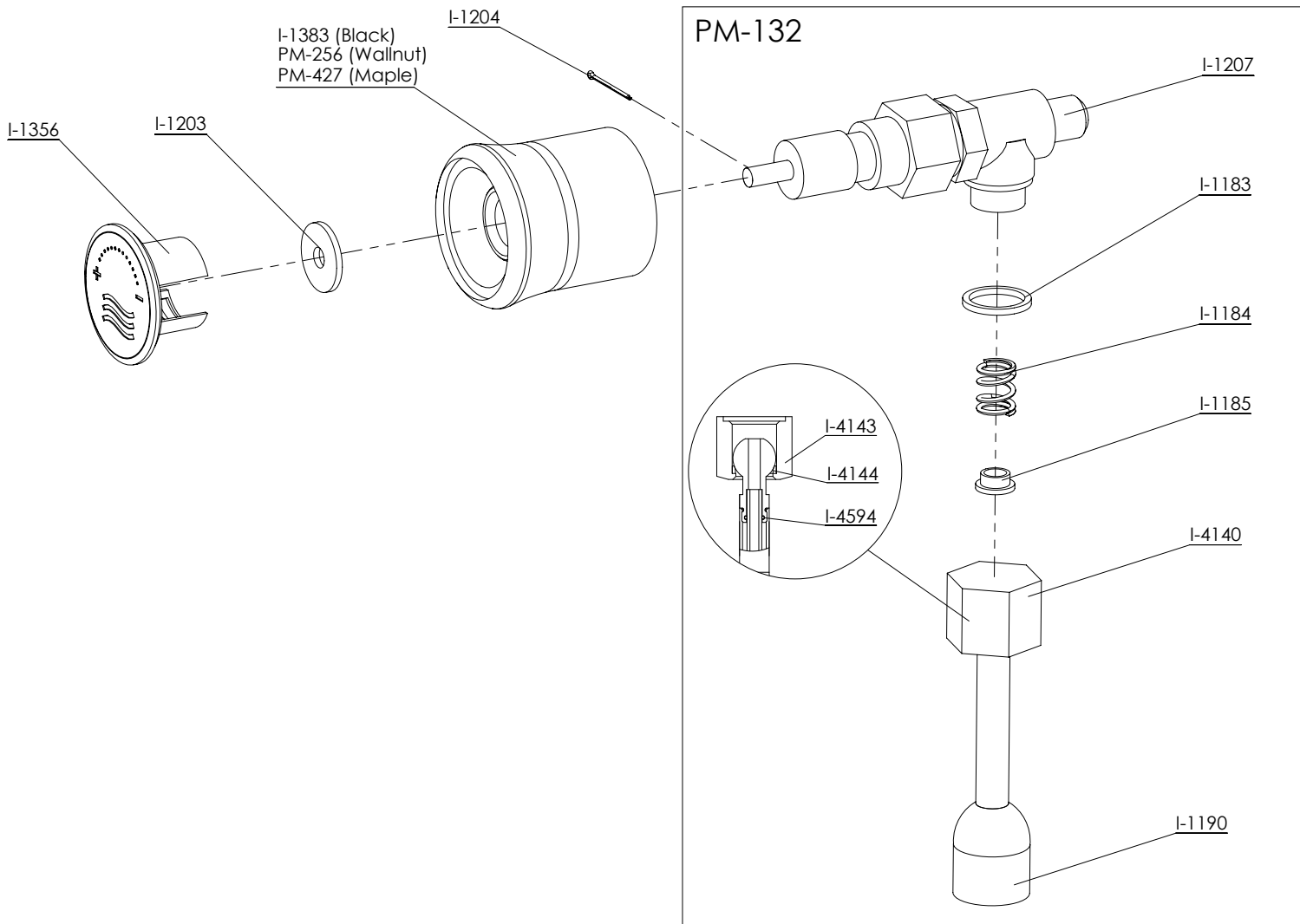


REF.	DESCRIPCIÓN
I.1183	ARANDELA GRIFO AGUA
I.1184	MUELLE GRIFO SALIDA VAPOR.AGUA
I.1185	GUIA MUELLE GRIFO AGUA
I.2364	RACOR CONTADOR VOLUMETRICO 1/8".1/8"
I.2400	JUNTA COBRE 1/8"
I.2617	CONECTOR RECTO 1/8 M.M INOX
I.2625	TAPÓN M 1/8
I.3113	RACOR CODO M 1/8"R . H 1/8"G INOX
I.3556	SOPORTE AGUA BARISTA T PLUS
I.3571	TUBO AGUA MEZCLADA BARISTA T
I.3606	EV AGUA CALIENTE BT 2/2 NC RUBY DN3.0mm G1/8 230V
I.3691	RACOR EV . SALIDA AGUA
I.3692	RACORD SOLENOID . WATER EXIT
I.4140	TUBO AGUA INOX ANTICALORICO PTFE
I.4143	TUERCA TUBO VAPOR/AGUA PTFE
I.4144	JUNTA TEFLON TUBO VAPOR/AGUA PTFE
I.4594	JUNTA SILICONA D4.7X1.15 I.4139
I.4172	COLECTOR BIG DREAM
I.4465	VALVULA ANTIRRETORNO 1/8 H.H
I.4653	JUNTA PTFE 8.5X0.6X2.5 MIXER
PM.382	VALVULA ANTIRRETORNO INOX
PM.387	CJTO AGUA CALIENTE BARISTA T PLUS
PM.423	CJTO SALIDA AGUA CALIENTE BARISTA T

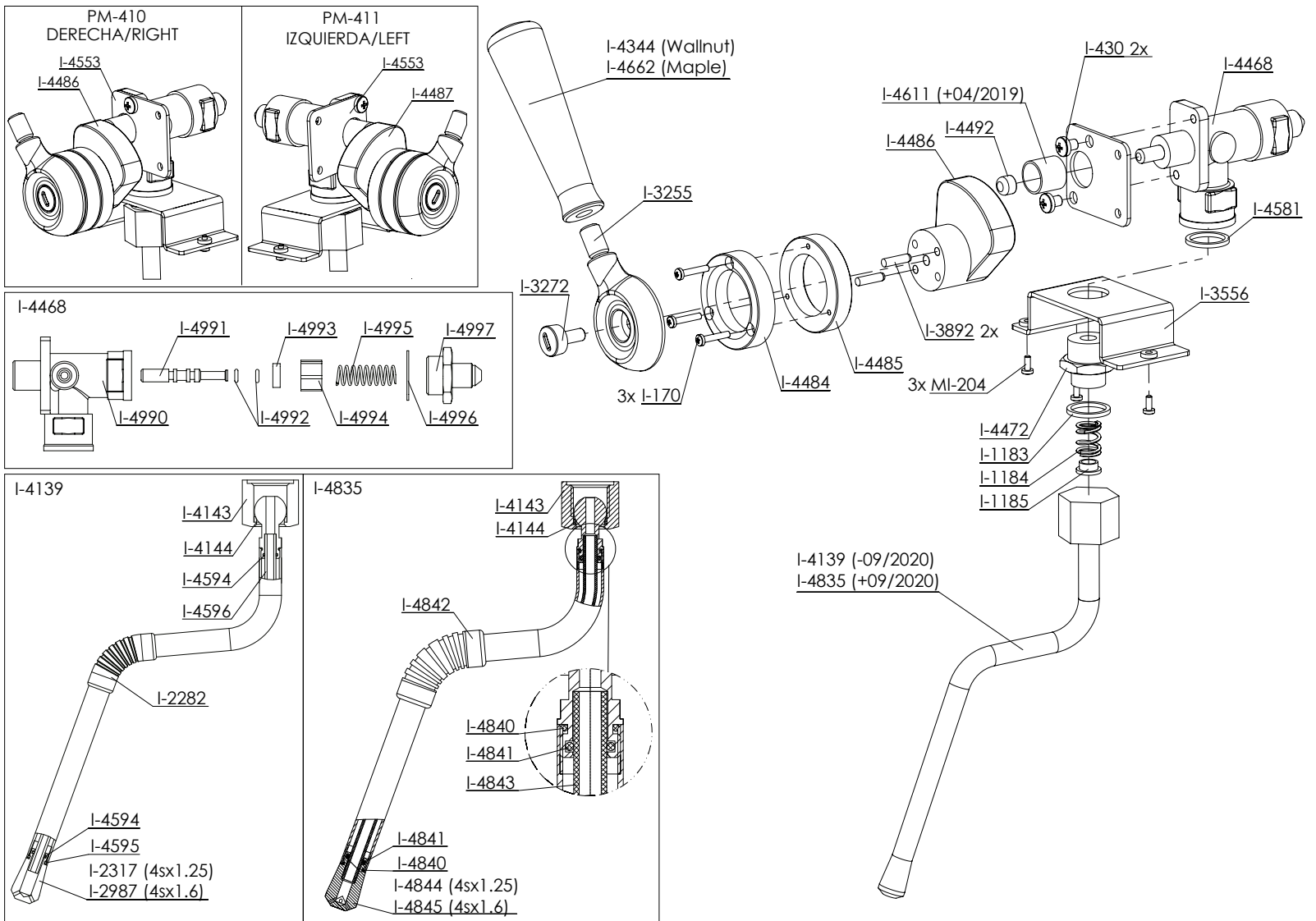
DESCRIPTION
O.RING
STEAM . WATER OUTLET TAP SPRING
SPRING GUIDE WATER TAP
FITTING VOLUMETRIC CONTROL 1/8".1/8"
COPPER JOINT 1/8"
STRAIGHT CONNECTOR 1/8 M.M INOX
PLUG M 1/8
FITTING ELBOW M 1/8"R . H 1/8"G
WATER BRACKET BARISTA T PLUS
MIXED WATER PIPE BARISTA T
SOLENOID HOTWATER BT 2/2 NC RUBY DN3.0mm G1/8 230V
RACORD SOLENOID . WATER EXIT
RACORD NUT SOLENOID . WATER EXIT
INOX WATER PIPE PTFE
NUT STEAM/ WATER PTFE
TEFLON GASKET STEAM/ WATER PTFE
SILICON O.RING D4.7X1.15 I.4139
MANIFOLD BIG DREAM
NON.RETURN VALVE 1/8
JOINT PTFE 8.5X0.6X2.5 MIXER
NO RETURN VALVE
ASSY HOT WATER BARISTA T PLUS
ASSY HOT WATER OUTLET BARISTA T



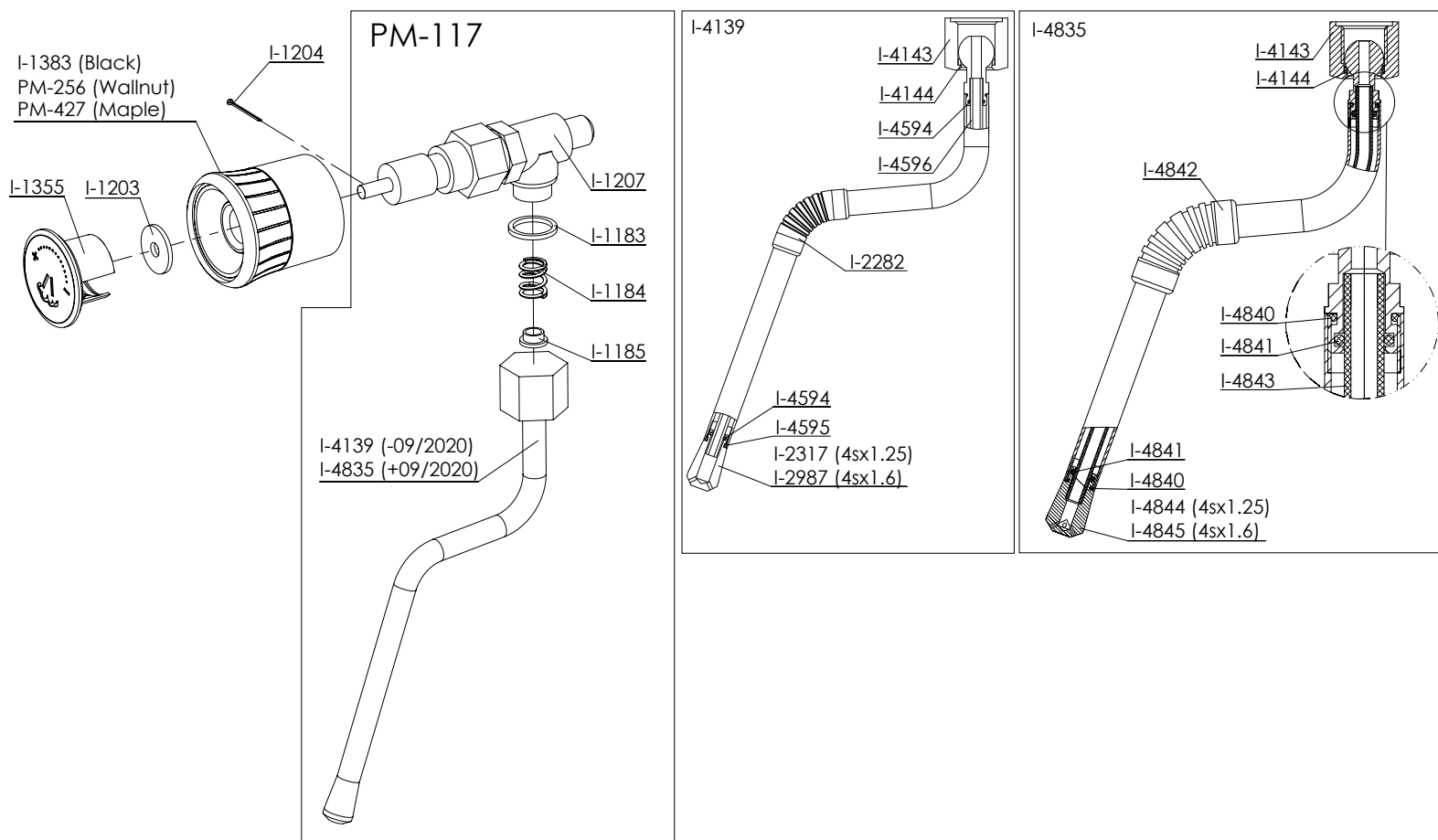
REF.	DESCRIPCIÓN	DESCRIPTION
I.1183	ARANDELA GRIFO AGUA	O.RING
I.1184	MUELLE GRIFO SALIDA VAPOR.AGUA	STEAM . WATER OUTLET TAP SPRING
I.1185	GUIA MUELLE GRIFO AGUA	SPRING GUIDE WATER TAP
I.2364	RACOR CONTADOR VOLUMETRICO 1/8".1/8" INOX	FITTING VOLUMETRIC CONTROL 1/8".1/8"
I.2400	JUNTA COBRE 1/8"	COPPER JOINT 1/8"
I.3113	FITTING VOLUMETRIC CONTROL 1/8".1/8"	FITTING ELBOW M 1/8"R . H 1/8"G
I.3556	SOPORTE AGUA BARISTA T	WATER BRACKET BARISTA T
I.3571	TUBO AGUA MEZCLADA BARISTA T	MIXED WATER PIPE BARISTA T
I.3606	EV AGUA CALIENTE BT 2/2 NC RUBY DN3.0mm G1/8 230V	SOLENOID HOTWATER BT 2/2 NC RUBY DN3.0mm G1/8 230V
I.3691	RACOR EV . SALIDA AGUA	RACORD SOLENOID . WATER EXIT
I.3692	TUERCA RACOR EV . SALIDA AGUA	RACORD NUT SOLENOID . WATER EXIT
I.4140	TUBO AGUA INOX ANTICALORICO PTFE	INOX WATER PIPE PTFE
I.4143	TUERCA TUBO VAPOR/AGUA PTFE	NUT STEAM/ WATER PTFE
I.4144	JUNTA TEFLON TUBO VAPOR/AGUA PTFE	TEFLON GASKET STEAM/ WATER PTFE
I.4594	JUNTA SILICONA D4.7X1.15 I.4139	SILICON O.RING D4.7X1.15 I.4139
PM.409	CJTO AGUA CALIENTE BARISTA T ONE	ASSY. HOT WATER BARISTA T ONE
PM.423	CJTO SALIDA AGUA CALIENTE BARISTA T	ASSY HOT WATER OUTLET BARISTA T



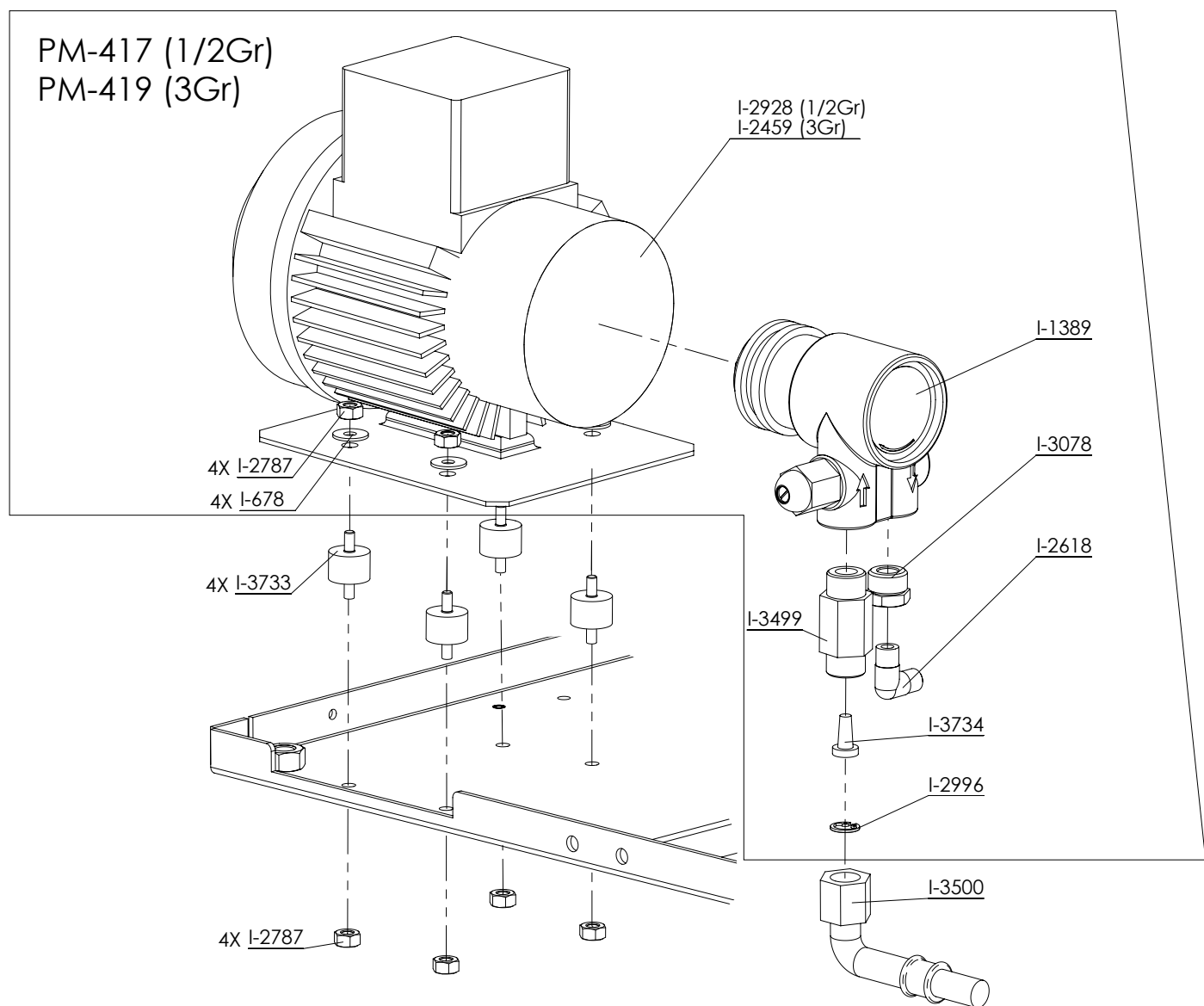
REF.	DESCRIPCIÓN	DESCRIPTION
I.1183	ARANDELA GRIFO AGUA	O.RING
I.1184	MUELLE GRIFO SALIDA VAPOR.AGUA	STEAM . WATER OUTLET TAP SPRING
I.1185	GUIA MUELLE GRIFO AGUA	SPRING GUIDE WATER TAP
I.1190	SALIDA GRIFO AGUA	WATER TAP OUTLET
I.1203	ARANDELA GRIFO	TAP WASHER
I.1204	PASADOR GRIFO	TAP PIN
I.1207	GRIFO VAPOR.AGUA	STEAM.WATER TAP
I.1356	TAPA POMO AGUA	WATER KNOB LID
I.1383	POMO GRIFO VAPOR.AGUA	STEAM/WATER TAP
I.4140	TUBO AGUA INOX ANTICALORICO PTFE	INOX WATER PIPE PTFE
I.4143	TUERCA TUBO VAPOR/AGUA PTFE	NUT STEAM/ WATER PTFE
I.4144	JUNTA TEFLON TUBO VAPOR/AGUA PTFE	TEFLON GASKET STEAM/ WATER PTFE
I.4594	JUNTA SILICONA D4.7X1.15 I.4139	SILICON O.RING D4.7X1.15 I.4139
PM.132	CONJUNTO GRIFO VAPOR BARISTA	ASSEMBLY STEAM TAP BARISTA
PM.256	POMO GRIFO MADERA BARISTA COMPLETO	SET TAP HANDLE WOOD BARISTA
PM.427	POMO GRIFO MADERA BARISTA COMPLETO ARCE	SET TAP HANDLE WOOD BARISTA MAPLE



REF.	DESCRIPCIÓN	DESCRIPTION
I.1170	TORNILLO FIJACION MICRO INOX	SCREW
I.430	TORNILLO M5x6 INOX	SCREW
I.1183	ARANDELA GRIFO AGUA	WATER TAP WASHER
I.1184	MUELLE GRIFO SALIDA VAPOR.AGUA	STEAM . WATER OUTLET TAP SPRING
I.1185	GUIA MUELLE GRIFO AGUA	SPRING GUIDE WATER TAP
I.2282	PROTECTOR TUBO VAPOR INOX BARISTA D.10mm	STEAM TUBE PROTECTOR BARISTA D.10mm
I.2317	SALIDA VAPOR INOX BARISTA PTFE D.10mm (4xD1.25)	STEAM OUTLET INOX BARISTA PTFE D.10mm (4x1.25)
I.2987	SALIDA VAPOR INOX BARISTA PTFE D.10mm (4xD1.6)	STEAM OUTLET INOX BARISTA PTFE D.10mm (4x1.6)
I.3255	MANETA GRIFO BIG DREAM	BIG DREAM TAP HANDLE
I.3272	TORNILLO GRIFO VAPOR BIG DREAM/BARISTA T PLUS	SCREW TAP STEAM
I.3556	SOPORTE GRIFO BARISTA T PLUS	TAP BRACKET BARISTA T PLUS
I.3892	PASADOR DIN 7 4x16 INOX A2	PIN DIN 7 4x16 INOX A2
I.4139	TUBO VAPOR INOX BAR/BARISTA PTFE D.10mm	INOX STEAM PIPE BAR/ BARISTA PTFE D.10mm
I.4143	TUERCA TUBO VAPOR/AGUA PTFE	NUT STEAM/ WATER PTFE
I.4144	JUNTA TEFLON TUBO VAPOR/AGUA PTFE	TEFLON GASKET STEAM/ WATER PTFE
I.4344	POMO GRIFO VAPOR BIG DREAM PLUS / BARISTA T PLUS	STEAM TAP HANDLE BIG DREAM PUS / BARISTA T PLUS
I.4468	GRIFO LATERAL BARISTA T PLUS	BARISTA T PLUS SIDE TAP
I.4468	GRIFO LATERAL BARISTA T PLUS	BARISTA T PLUS SIDE TAP
I.4472	CASQUILLO MONTAJE GRIFO BARISTA T PLUS	TAP ASSY FERRULE BARISTA T PLUS
I.4484	ARO EXTERIOR GRIFO BARISTA T PLUS	OUTER RING TAP BARISTA T PLUS
I.4485	ARO INTERIOR GRIFO BARISTA T PLUS	INNER RING TAP BARISTA T PLUS
I.4486	LEVA DERECHA GRIFO BARISTA T PLUS	RIGHT TAP CAP BARISTA T PLUS
I.4486	LEVA DERECHA GRIFO BARISTA T PLUS	RIGHT TAP CAP BARISTA T PLUS
I.4487	LEVA IZQUIERDA GRIFO BARISTA T PLUS	LEFT TAP CAM BARISTA T PLUS
I.4492	PROTECTOR PUNTA GRIFO BARISTA T PLUS	TAP END PROTECTOR BARISTA T PLUS
I.4553	SOPORTE VAPOR BARISTA T	STEAM SUPPORT BARISTA T
I.4553	SOPORTE VAPOR BARISTA T	STEAM SUPPORT BARISTA T
I.4581	JUNTA 26X20X1 PTFE	GASKET 26X20X1 PTFE
I.4594	JUNTA TORICA TUBO VAPOR BARISTA D.10mm (D4.7x1.15)	O.RING STEAM TUBE BARISTA D.10mm (D4.7X1.15)
I.4594	JUNTA TORICA TUBO VAPOR BARISTA D.10mm (D4.7x1.15)	O.RING STEAM TUBE BARISTA D.10mm (D4.7X1.15)
I.4595	JUNTA TORICA TUBO VAPOR BARISTA D.10mm (D6x1)	O.RING STEAM TUBE BARISTA D.10mm (D6x1)
I.4596	TUBO PTFE VAPOR INOX BARISTA D.10mm (5x3x210)	PIPE PTFE STEAM INOX BARISTA D.10mm (5x3x210)
I.4611	CASQUILLO GRIFO VAPOR BARISTA T	STEAM TAP SOCKET BARISTA T
I.4662	POMO GRIFO VAPOR BIG DREAM PLUS / ONE ARCE	STEAM TAP HANDLE BIG DREAM PUS / ONE MAPLE
I.4835	TUBO VAPOR INOX BAR/BARISTA PTFE D.12mm	SS STEAM PIPE BAR/ BARISTA T PTFE D.12mm
I.4840	JUNTA TORICA TUBO VAPOR BARISTA D.12mm (D6x1.5)	O.RING STEAM TUBE BARISTA D.12mm (D6x1.5)
I.4841	JUNTA TORICA TUBO VAPOR BARISTA D.12mm (D5x1.8)	O.RING STEAM TUBE BARISTA D.12mm (D5x1.8)
I.4842	PROTECTOR TUBO VAPOR INOX BARISTA D.12mm	STEAM TUBE PROTECTOR BARISTA D.12mm
I.4843	TUBO PTFE VAPOR INOX BARISTA D.12mm (6x4x210)	PIPE PTFE STEAM INOX BARISTA D.12mm (6x4x210)
I.4844	SALIDA VAPOR INOX BARISTA PTFE D.12mm (4xD1.1.25)	STEAM OUTLET INOX BARISTA PTFE D.12mm (4x1.25)
I.4845	SALIDA VAPOR INOX BARISTA PTFE D.12mm (4xD1.6)	STEAM TIP D.12 mm (4 x D 1.6)
I.4990	CUERPO GRIFO I.4468	BODY TAP I.4468
I.4991	EJE GRIFO I.4991	TAP AXLE I.4468
I.4992	TORICA EJE GRIFO I.4468	O.RING TAP AXLE I.4468
I.4993	TACO CIERRE GRIFO I.4468	TAP CHANGER I.4468
I.4994	PORTA JUNTAS GRIFO I.4468	TAP HOLDER I.4468
I.4995	MUELLE GRIFO I.4468	SPRING TAP I.4468
I.4996	JUNTA COBRE GRIFO I.4468	COPPER TAP JOINT I.4468
I.4997	RACOR GRIFO I.4468	FITTING TAP I.4468
MI.204	TORNILLO M4x10 INOX	SCREW
PM.410	CJTO VAPOR DERECHO BARISTA T PLUS	RIGHT STEAM BARISTA T PLUS
PM.411	CJTO VAPOR IZQUIERDO BARISTA T PLUS	LEFT STEAM BARISTA T PLUS



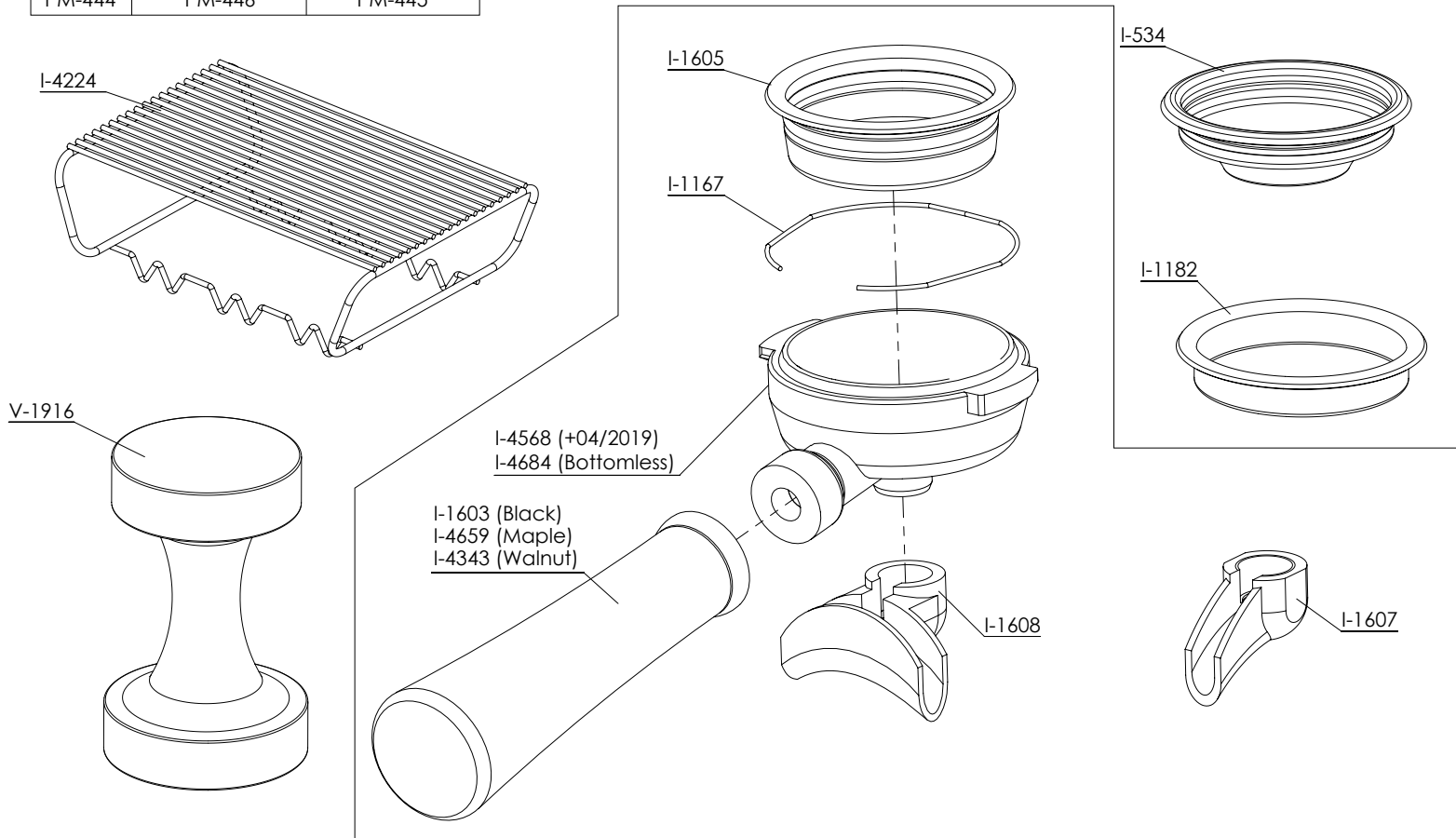
REF.	DESCRIPCIÓN	DESCRIPTION
I.1183	ARANDELA GRIFO AGUA	WATER TAP WASHER
I.1184	MUELLE GRIFO SALIDA VAPOR.AGUA	STEAM . WATER OUTLET TAP SPRING
I.1185	GUIA MUELLE GRIFO AGUA	SPRING GUIDE WATER TAP
I.1203	ARANDELA GRIFO	TAP COPPER
I.1204	PASADOR GRIFO	TAP PIN
I.1207	GRIFO VAPOR/AGUA	STEAM . WATER TAP
I.1355	TAPA POMO VAPOR	STEAM KNOB LID
I.1383	POMO GRIFO VAPOR/AGUA BARISTA	BARISTA STEAM/WATER TAP
I.2282	PROTECTOR TUBO VAPOR INOX BARISTA D.10mm	STEAM TUBE PROTECTOR BARISTA D.10mm
I.2317	SALIDA VAPOR INOX BARISTA PTFE D.10mm (4xD1.25)	STEAM OUTLET INOX BARISTA PTFE D.10mm (4x1.25)
I.2987	SALIDA VAPOR INOX BARISTA PTFE D.10mm (4xD1.6)	STEAM OUTLET INOX BARISTA PTFE D.10mm (4x1.6)
I.4139	SERVIR I.4835	GO TO I.4835
I.4143	TUERCA TUBO VAPOR/AGUA PTFE	NUT STEAM/ WATER PTFE
I.4144	JUNTA TEFLON TUBO VAPOR/AGUA PTFE	TEFLON GASKET STEAM/ WATER PTFE
I.4594	JUNTA TORICA TUBO VAPOR BARISTA D.10mm (D4,7x1,15)	O.RING STEAM TUBE BARISTA D.10mm (D4.7X1.15)
I.4595	JUNTA TORICA TUBO VAPOR BARISTA D.10mm (D6x1)	O.RING STEAM TUBE BARISTA D.10mm (D6x1)
I.4596	TUBO PTFE VAPOR INOX BARISTA D.10mm (5x3x210)	PIPE PTFE STEAM INOX BARISTA D.10mm (5x3x210)
I.4835	TUBO VAPOR INOX BAR/BARISTA PTFE D.12mm	SS STEAM PIPE BAR/ BARISTA T PTFE D.12mm
I.4840	JUNTA TORICA TUBO VAPOR BARISTA D.12mm (D6x1,5)	O.RING STEAM TUBE BARISTA D.12mm (D6x1,5)
I.4841	JUNTA TORICA TUBO VAPOR BARISTA D.12mm (D5x1,8)	O.RING STEAM TUBE BARISTA D.12mm (D5x1,8)
I.4842	PROTECTOR TUBO VAPOR INOX BARISTA D.12mm	STEAM TUBE PROTECTOR BARISTA D.12mm
I.4843	TUBO PTFE VAPOR INOX BARISTA D.12mm (6x4x210)	PIPE PTFE STEAM INOX BARISTA D.12mm (6x4x210)
I.4844	SALIDA VAPOR INOX BARISTA PTFE D.12mm (4xD1.1.25)	STEAM OUTLET INOX BARISTA PTFE D.12mm (4x1.25)
I.4845	SALIDA VAPOR INOX BARISTA PTFE D.12mm (4xD1.6)	STEAM TIP D.12 mm (4 x D 1.6)
PM.117	GRIFO VAPOR BARISTA	TAP STEAM BARISTA
PM.256	POMO GRIFO MADERA BARISTA COMPLETO NOGAL	SET TAP HANDLE WALNUT WOOD BARISTA
PM.427	POMO GRIFO MADERA BARISTA COMPLETO ARCE	SET TAP HANDLE WOOD BARISTA MAPLE



REF.	DESCRIPCIÓN	DESCRIPTION
I..678	ARANDELA DIN9021 M5 INOX	WASHER DIN9021 M5 INOX
I.1389	BOMBA ABRAZADERA INOX PROCON 200LTS	PROCON CLASP PUMP
I.2459	MOTOR RPM 245W 220V	ENGINE RPM 245W 220V
I.2928	MOTOR RPM 165W 220V	ENGINE RPM 165W 220V
I.2618	RACOR CODO 1/8 M.M INOX	ELBOW FITTING 1/8M.M NOX
I.2787	TUERCA AUTOBLOCANTE D985 A2 M5 INOX	LOCK NUT D85 A2 M5
I.2996	ARANDELA SEEGER DIN472 Ø12	SEEGER DIN472 Ø12
I.3078	REDUCCIÓN 3/8". 1/8"	REDUCER 3/8" M . 1/8"H INOX
I.3499	SUPLEMENTO RACOR BOMBA	SEPARATOR PUMP FITTING
I.3734	FILTRO INOX	FILTER
I.3733	SILENT BLOCK 10X15	SILENT BLOCK 10X15
I.3500	TUBO FLEXIBLE ENTRADA AGUA CON CODO NSF	INLET WATER FLEXIBLE ELBOW
PM.419	CONJUNTO MOTOR BARISTA T 3GR 220V	ENSEMBLE ENGINE BARISTA T 3GR 220V
PM.417	CONJUNTO MOTOR BARISTA T 220V	ENSEMBLE ENGINE BARISTA T 220V



Bottomless		
Black	Wood (Walnut)	Wood (Maple)
PM-444	PM-446	PM-445



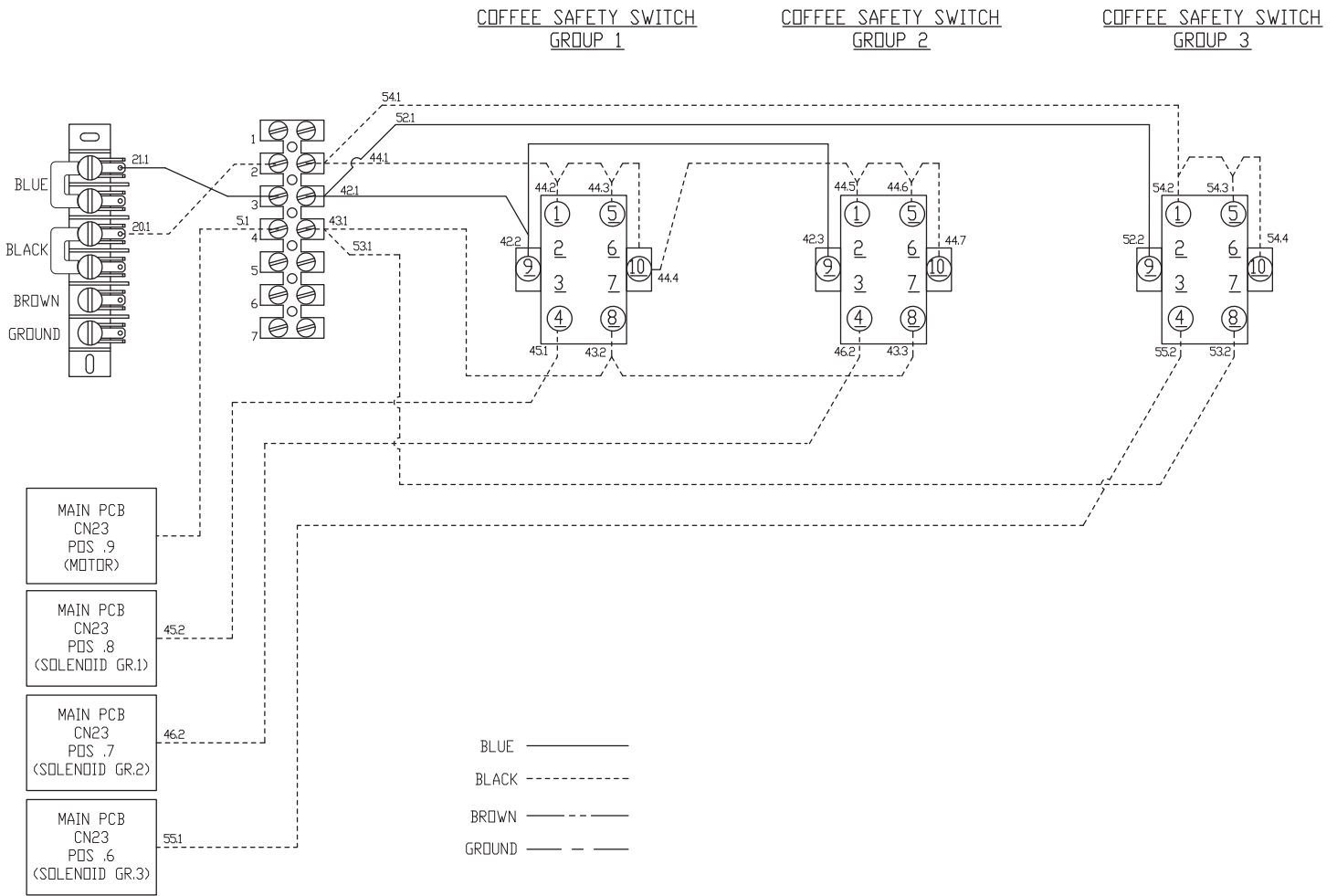
1 cup coffee		
Black	Wood (Walnut)	Wood (Maple)
PM-447	PM-449	PM-452

2 cup coffee		
Black	Wood (Walnut)	Wood (Maple)
PM-448	PM-450	PM-453

REF.	DESCRIPCIÓN
I..534	FILTRO 1 CAFE PROFESIONAL
I.1167	ARO RETENCIÓN FILTRO PROF.
I.1182	CACILLO CIEGO PROF/BARISTA
I.1603	MANGO PORTAFILTRO BARISTA
I.1605	CACILLO 2 CAFE
I.1607	SALIDA 1 CAFE ABIERTA
I.1608	SALIDA 2 CAFES ABIERTA
I.4224	ALZA RAISED BIG DREAM
I.4343	MANGO PORTA MADERA BARISTA / BIG DREAM PLUS
I.4568	CUERPO PORTAFILTRO M12 INCLINADO EXTRA PROFUNDO
I.4659	MANGO PORTA MADERA BARISTA / BIG DREAM PLUS ARCE
I.4684	PORTAFILTRO SIN FONDO BARISTA T
PM.444	PORTAFILTRO BARISTA T SIN FONDO
PM.445	PORTAFILTRO BARISTA T SIN FONDO MADERA ARCE
PM.446	PORTAFILTRO BARISTA T SIN FONDO MADERA
PM.447	PORTAFILTRO 1 CAFE BAR/BARISTA T
PM.448	PORTA COMPLETO SIN FONDO BIG DREAM SPECIALTY
PM.449	PORTAFILTRO MADERA 1 CAFE BARISTA T COMPLETO
PM.452	PORTAFILTRO MADERA 1 CAFE BARISTA T COMPLETO ARCE
PM.450	PORTAFILTRO MADERA 2 CAFES BARISTA T COMPLETO
PM.453	PORTAFILTRO MADERA 2 CAFES BARISTA T COMPLETO ARCE
V.1916	PRENSA CAFE ALUMINIO 53/58MM

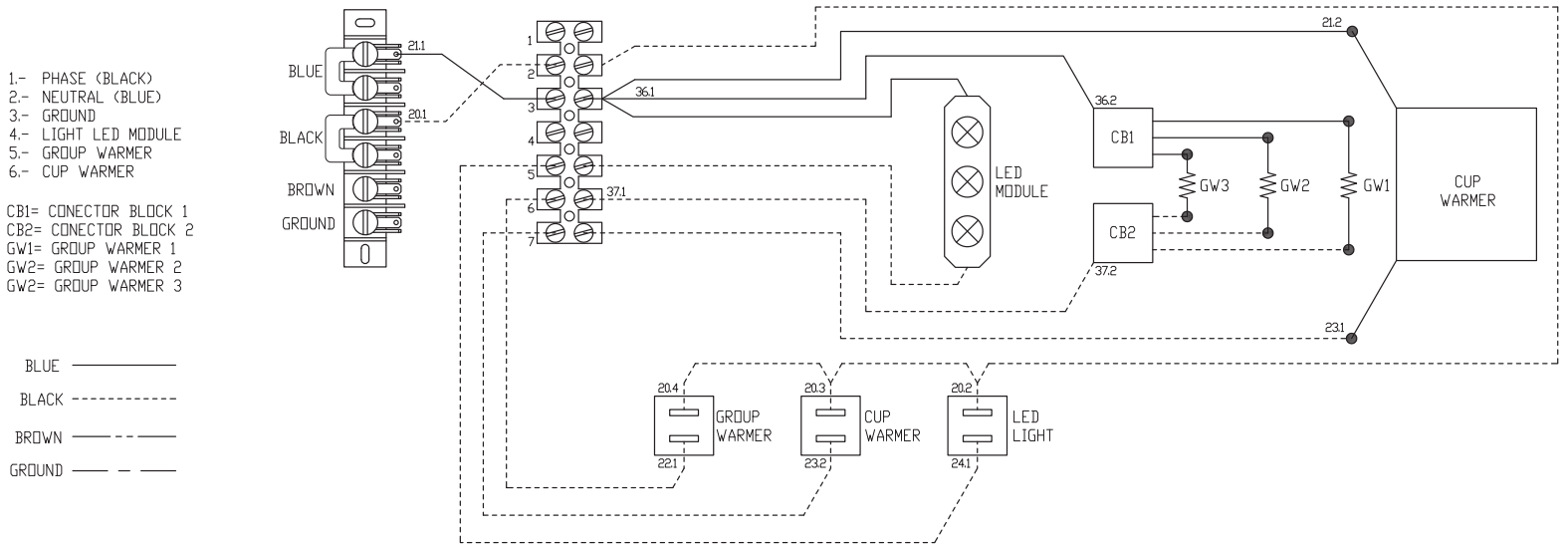
DESCRIPTION
PROFESSIONAL 1 COFFEE FILTER
PROF. SPRING FILTER
PROF BLIND FILTER
FILTERHOLDER HANDLE
2 COFFEES FILTER
1 COFFEE SPOUT
2 COFFEES SPOUT
SUPPLEMENT RAISED BID DREAM
SET HANDLE WOOD BARISTA / BIG DREAM PLUS
FILTER HOLDER BODY M12 EXTRA DEEP
SET HANDLE MAPLE WOOD DREAM MAPLE
BARISTA T BOTTOMLESS FILTERHOLDER
BARISTA T COMPLETE BOTTOMLESS FILTERHOLDER
BT COMPLETE BOTTOMLESS FILTERHOLDER WOOD MAPLE
BARISTA T COMPLETE BOTTOMLESS FILTERHOLDER WOOD
1 COFFEE BAR/BARISTA T FILTERHOLDER
BOTTOMLESS BIG DREAM SPECIALTY FILTER
1 COFFEE BARISTA T FILTERHOLDER WOOD
1 COFFEE BARISTA T FILTERHOLDER WOOD MAPLE
2 COFFEES BARISTA T FILTERHOLDER WOOD
2 COFFEES BARISTA T FILTERHOLDER WOOD MAPLE
ALUMINUM COFFEE TAMPER 53/58MM

COFFEE SAFETY SWITCHES

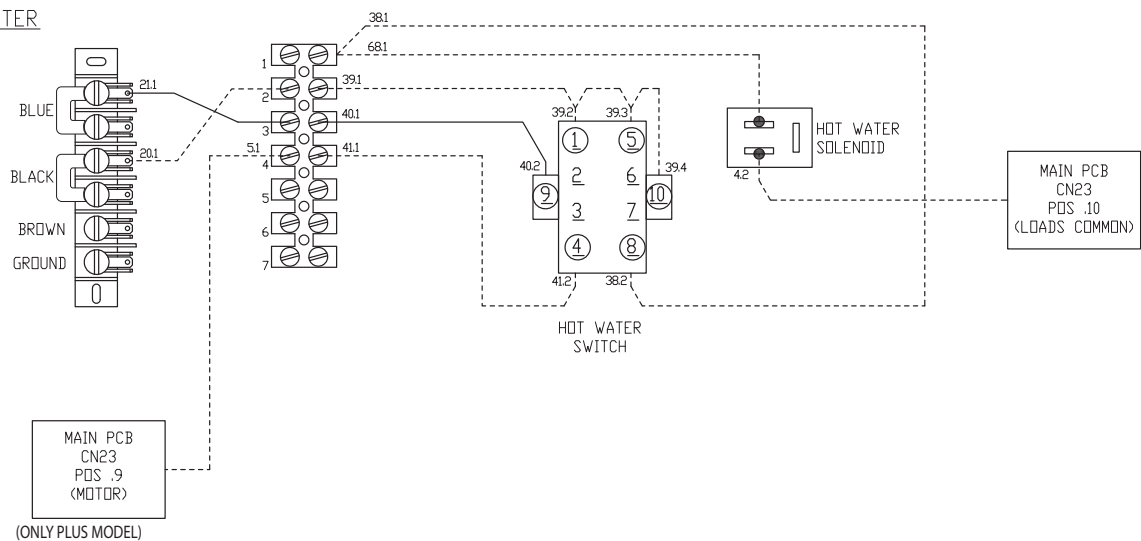


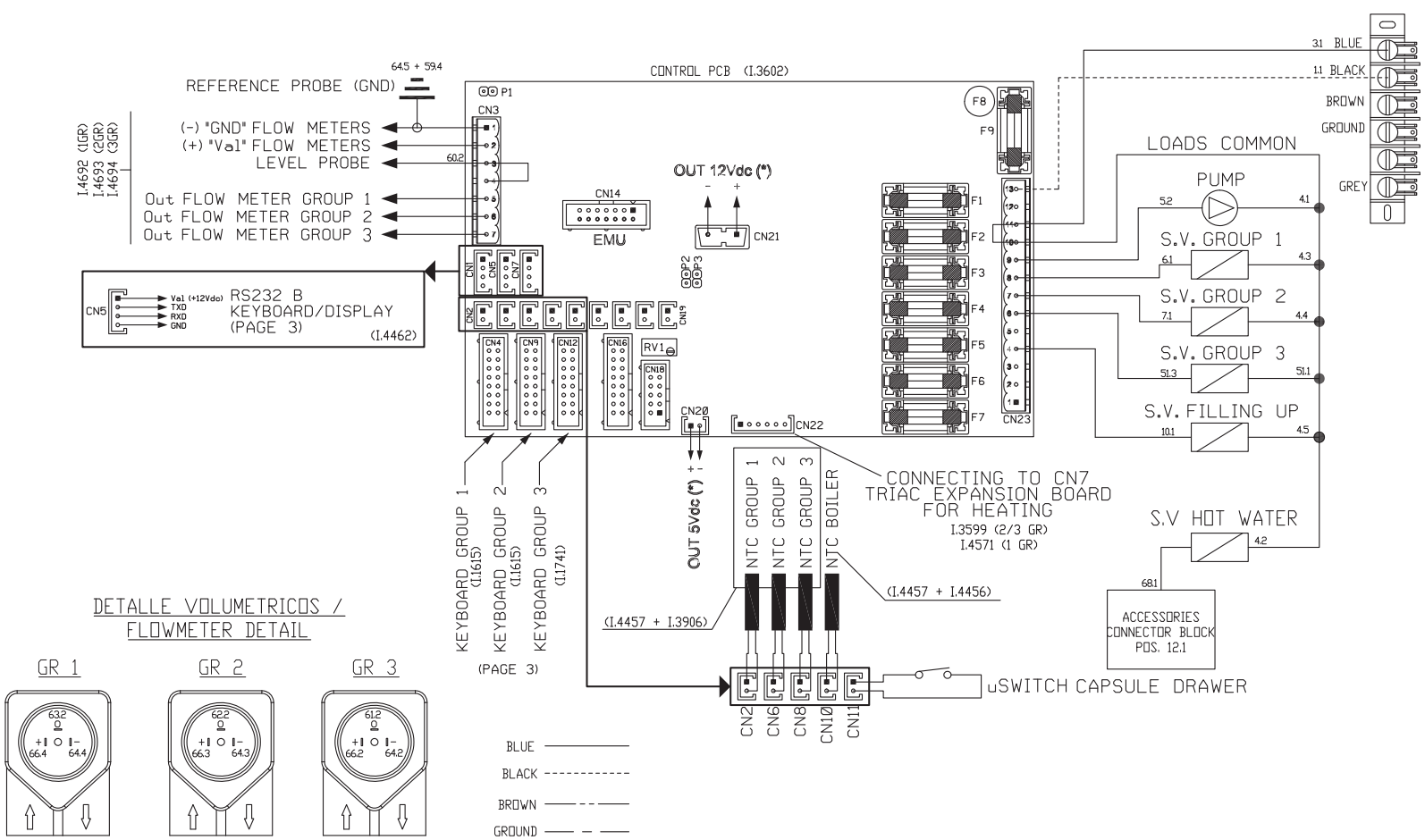
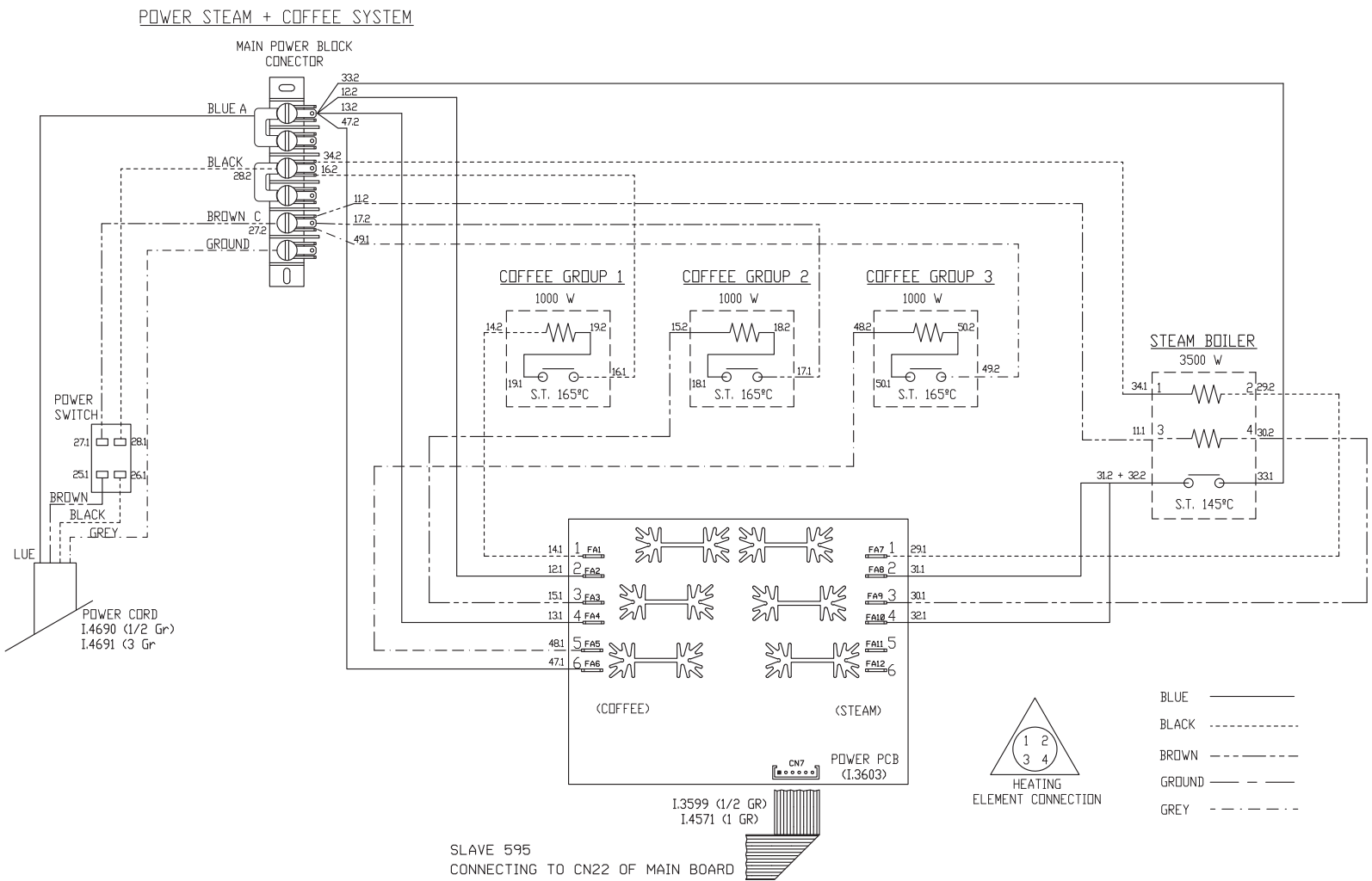
Esquema eléctrico Barista T Plus / One ■ Electrical schema Barista T Plus / One

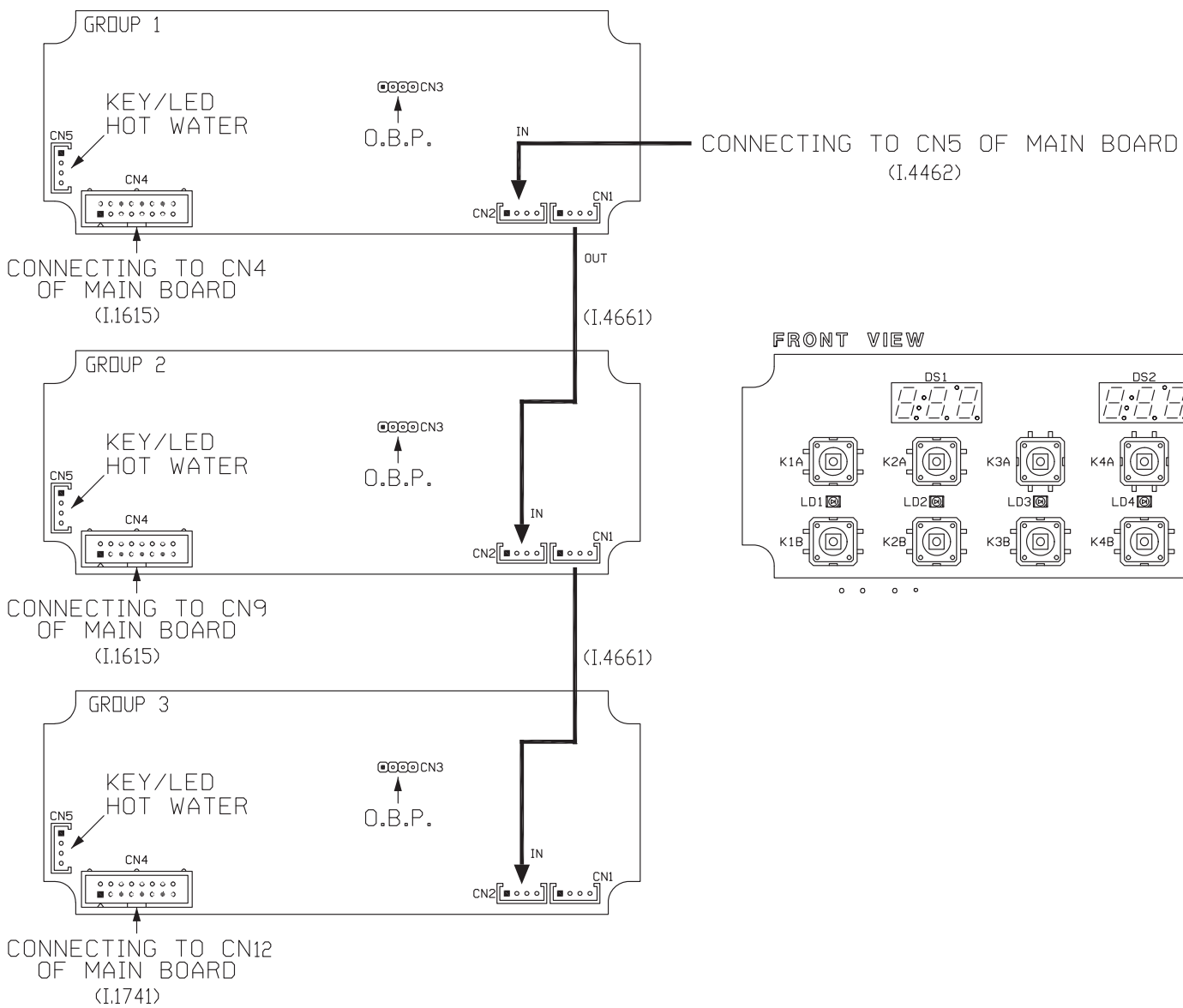
BARISTA T PLUS/ONE (ACCESSORIES)



HOT WATER

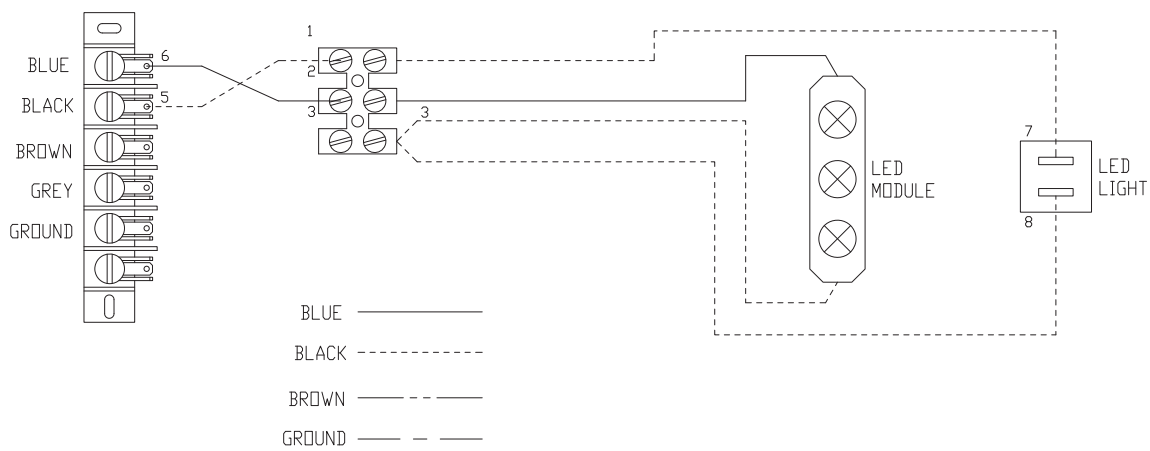






Esquema eléctrico Barista T Zero ■ Electrical schema Barista T Zero

LED CONNECTION

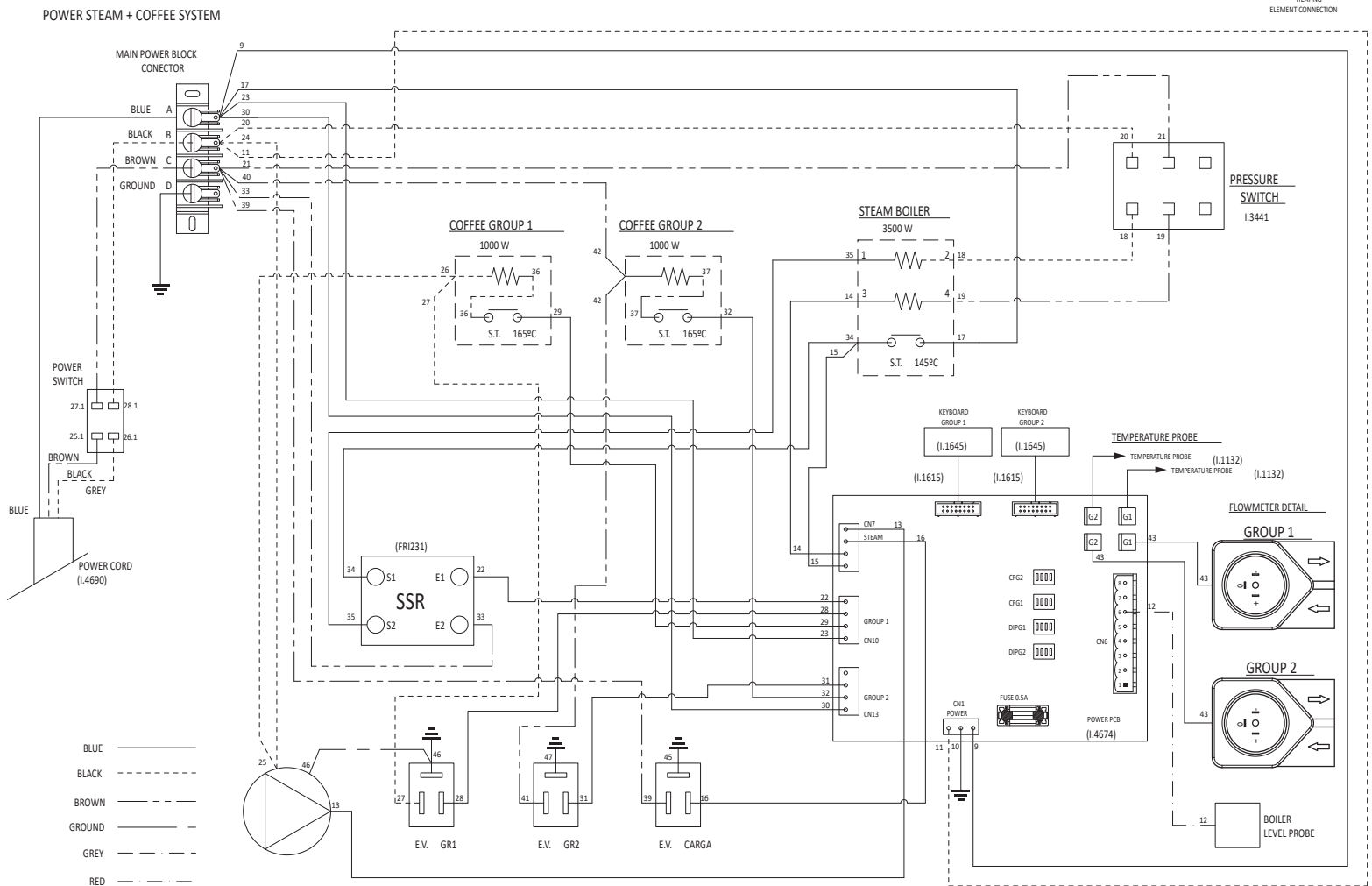


PCB SETTINGS

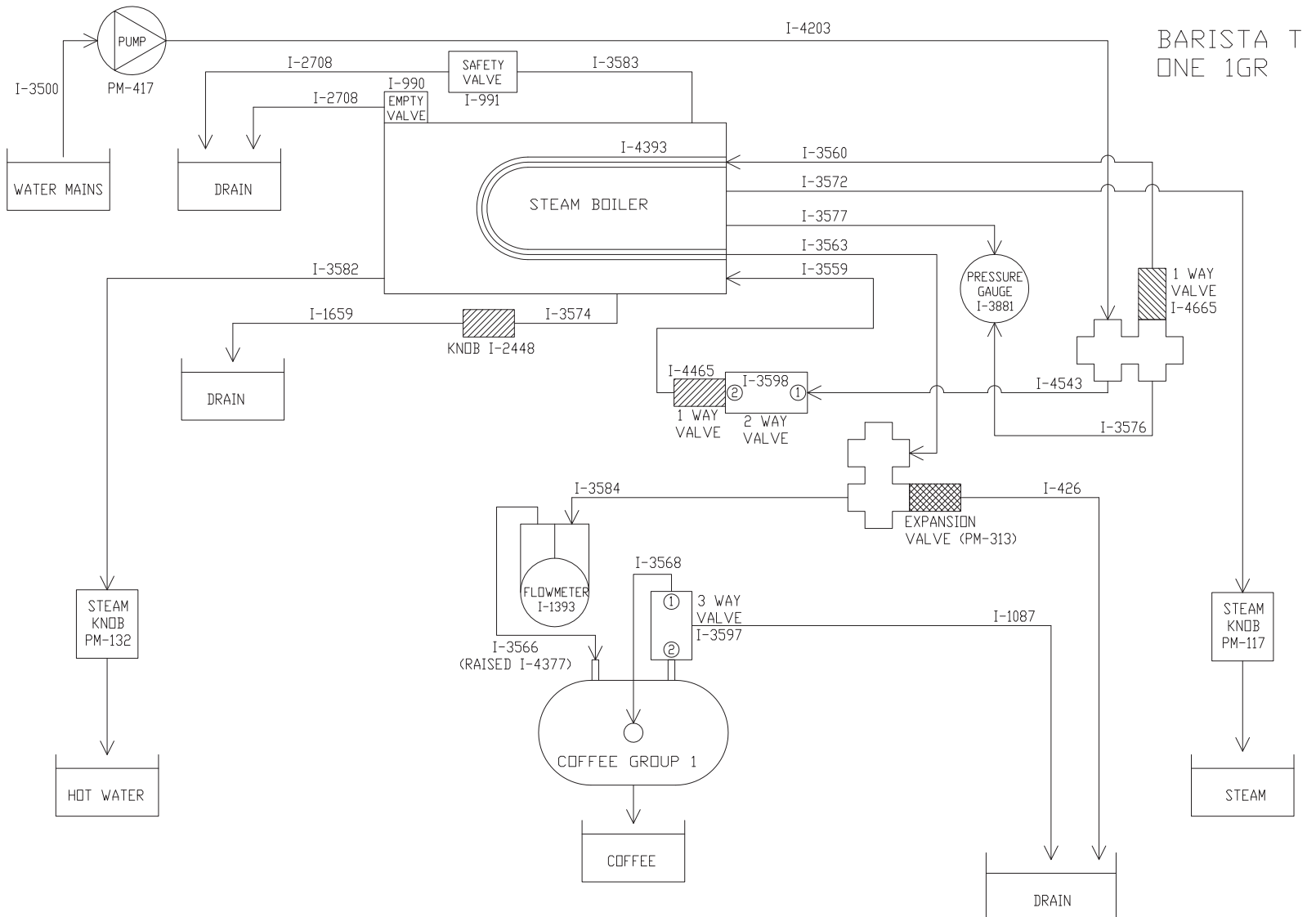
DIP GP1 / GP2 / GP3				
1	2	3	4	
ON/OFF	X	X	X	SIN FUNCION
X	OFF	OFF	OFF	90 °C
X	OFF	OFF	ON	91 °C
X	OFF	ON	OFF	92 °C
X	OFF	ON	ON	93 °C
X	ON	OFF	OFF	94 °C
X	ON	OFF	ON	95 °C
X	ON	ON	OFF	96 °C
X	ON	ON	ON	97 °C

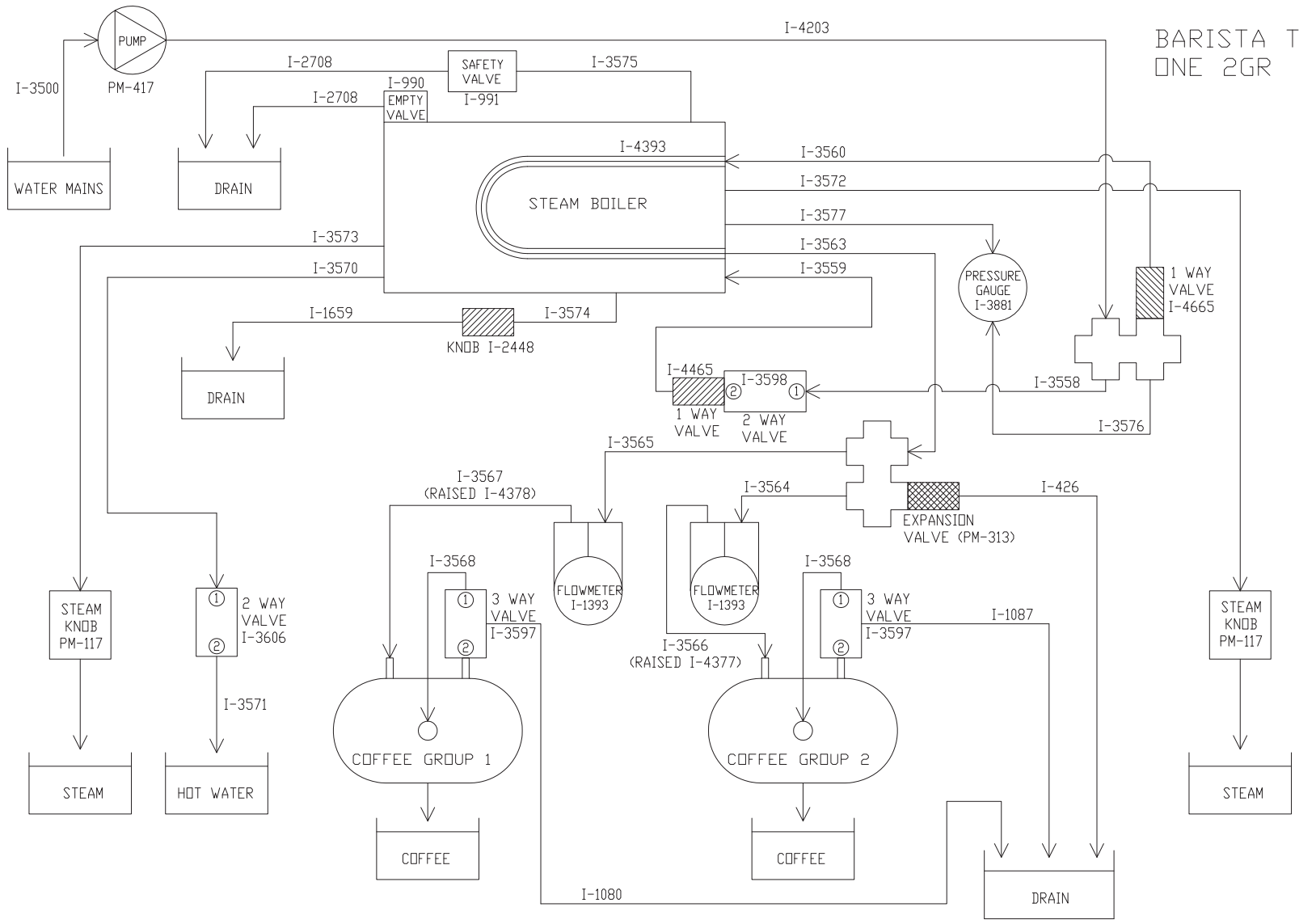
DIP CFG1				
1	2	3	4	
ON	X	X	X	DEMO MODE ON
OFF	X	X	X	DEMO MODE OFF
X	OFF	OFF	OFF	1 HEATING ELEMENT
X	OFF	OFF	ON	2 HEATING ELEMENT
X	OFF	ON	OFF	3 HEATING ELEMENT
X	OFF	ON	ON	4 HEATING ELEMENT
X	ON	OFF	OFF	5 HEATING ELEMENT

DIP CFG2				
1	2	3	4	
ON	X	X	X	FREE
X	OFF	OFF	X	PRE-INFUSION OFF
X	OFF	ON	X	PRE-INFUSION 1s
X	ON	OFF	X	PRE-INFUSION 2s
X	ON	ON	X	PRE-INFUSION 3s
X	X	X	ON	STEAM BOILER ON
X	X	X	OFF	STEAM BOILER OFF

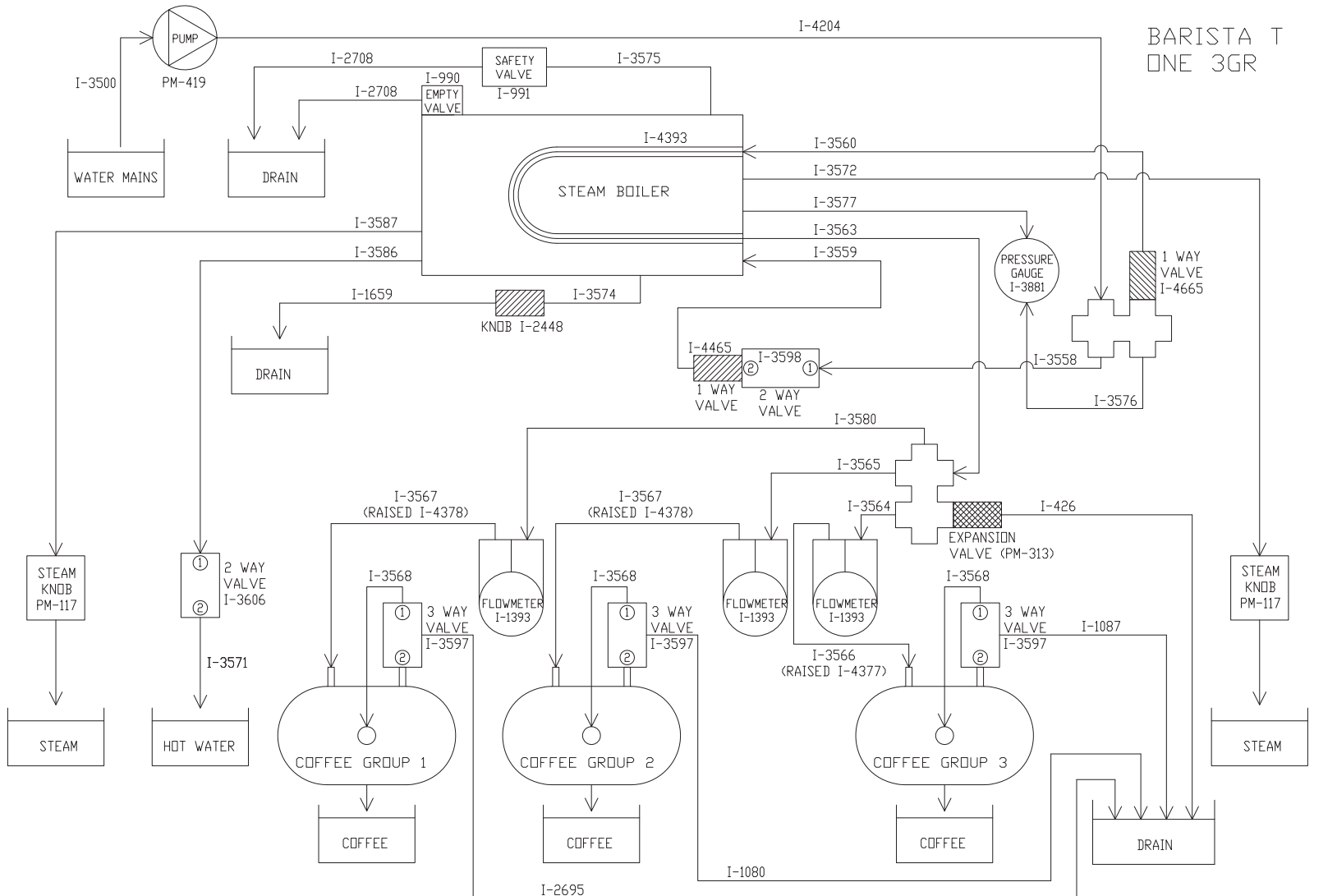


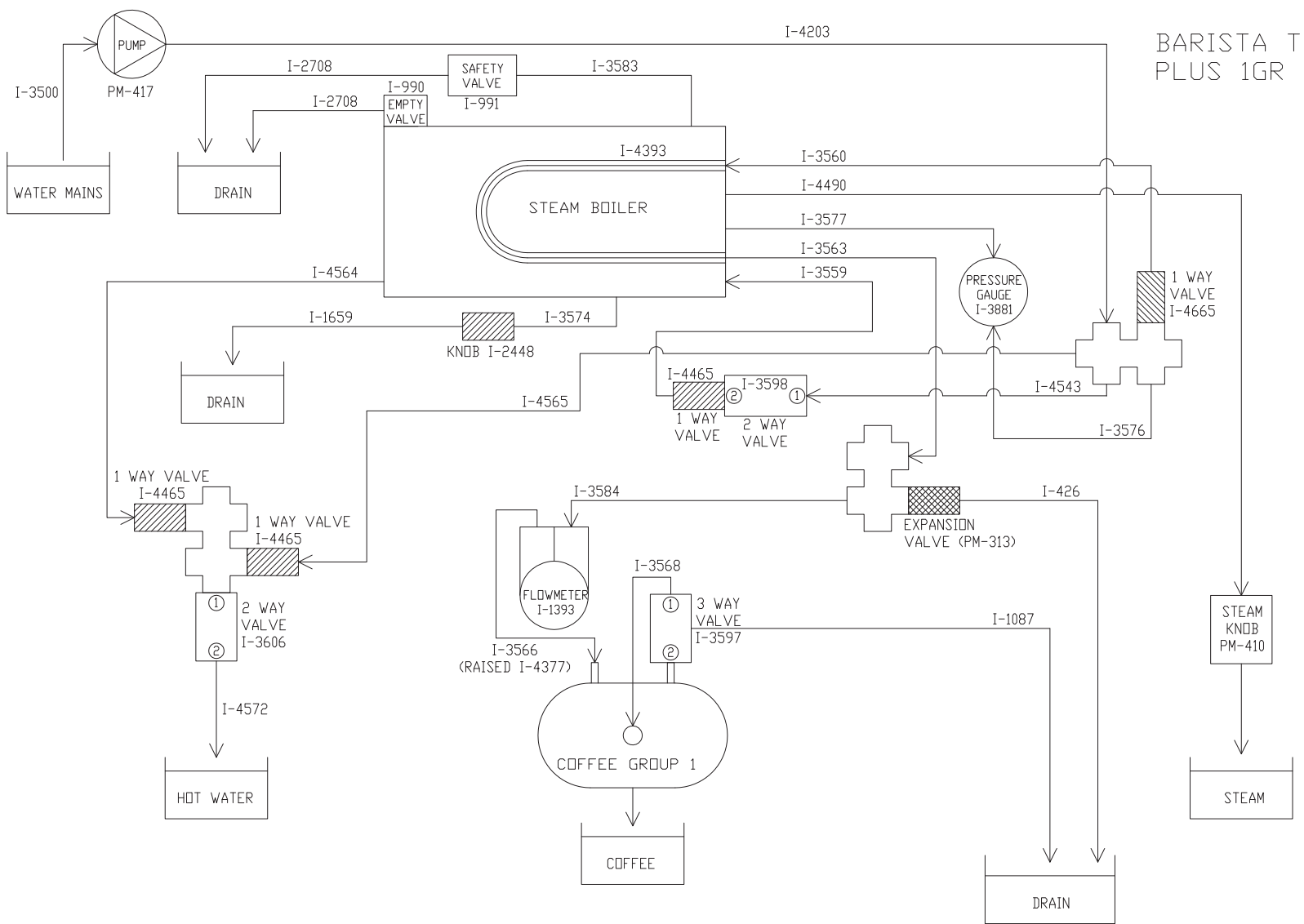
Esquema hidráulico Barista T ■ Electrical hydraulic Barista T



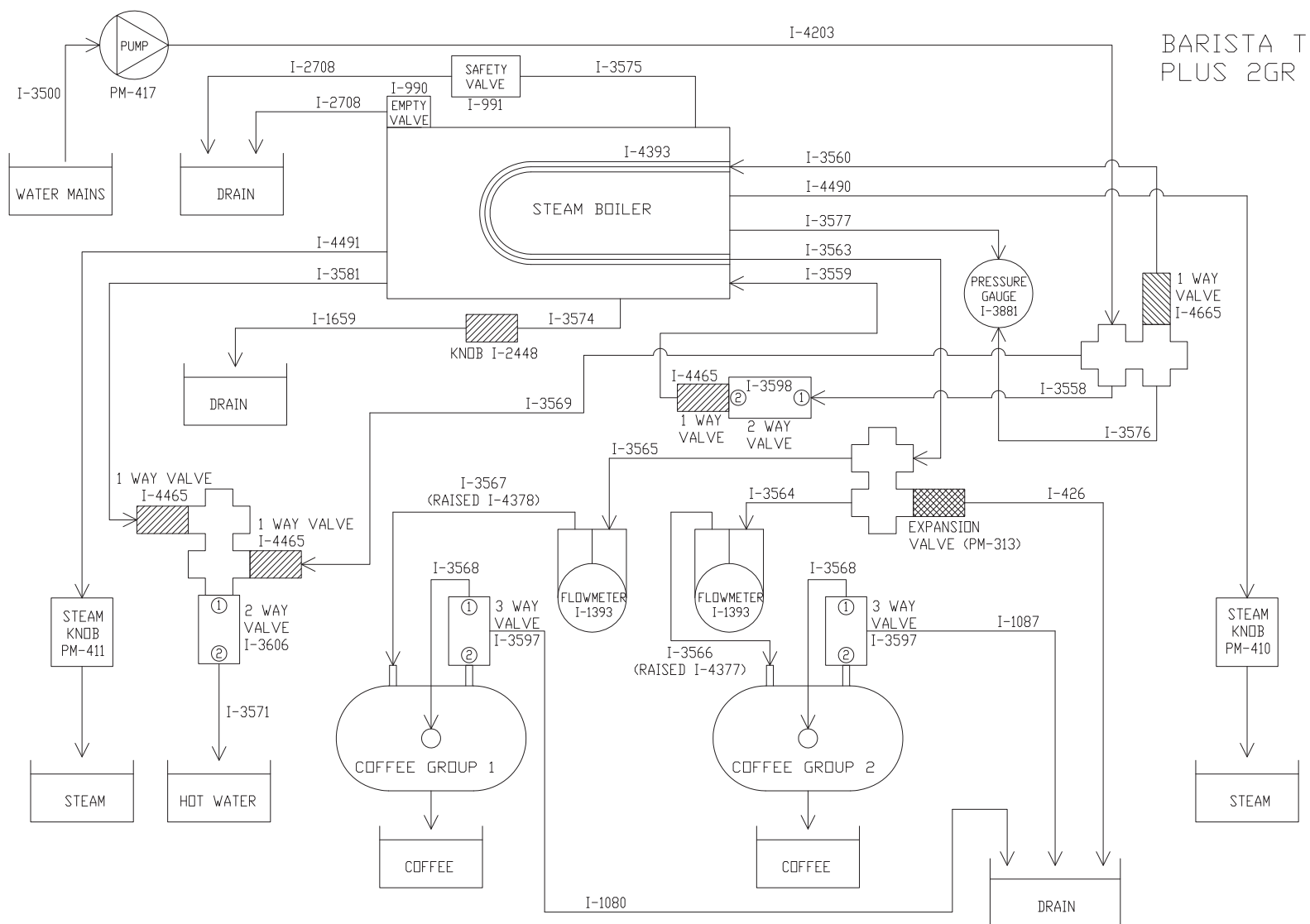


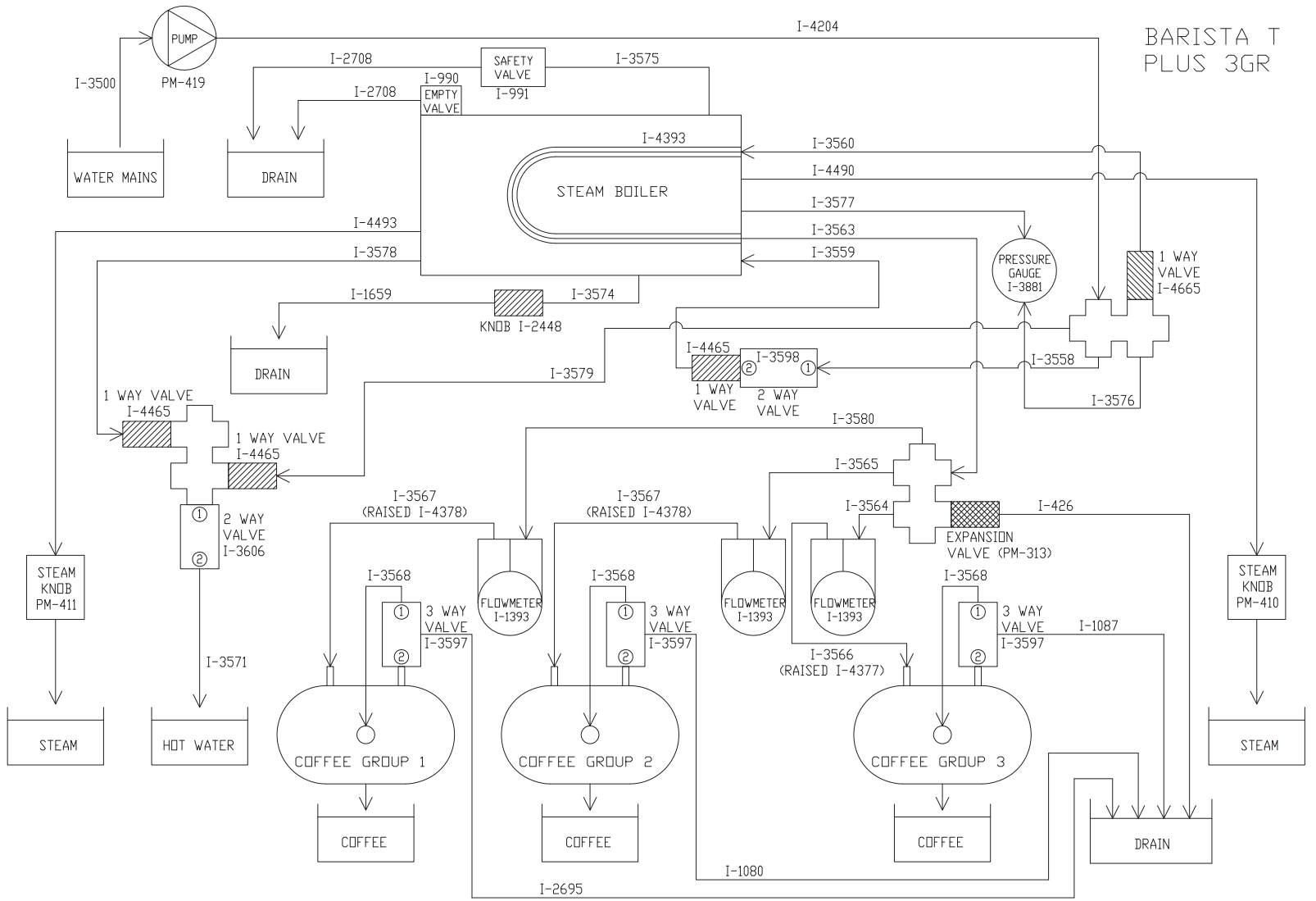
Esquema hidráulico Barista T ■ Electrical hydraulic Barista T



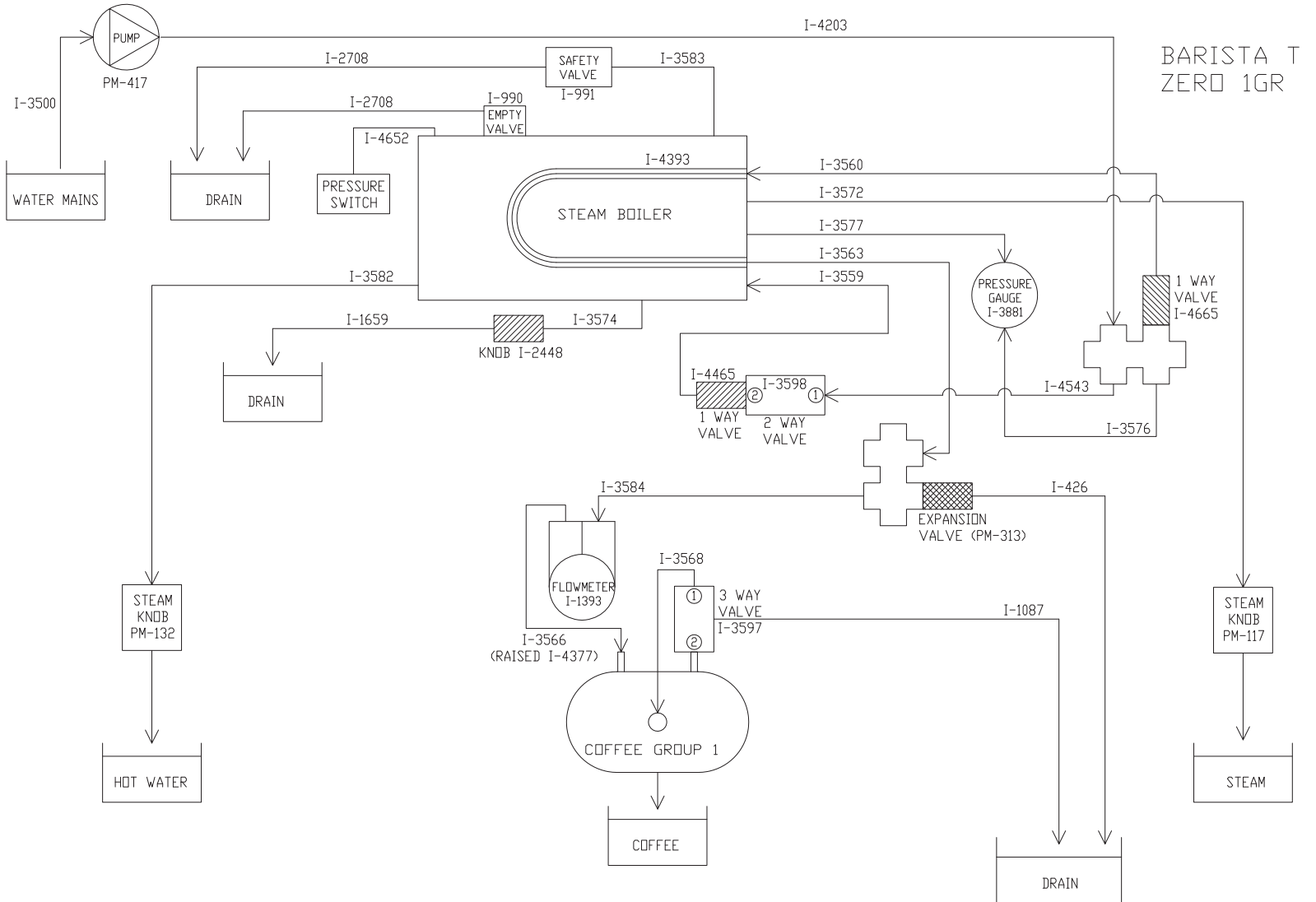


Esquema hidráulico Barista T ■ Electrical hydraulic Barista T

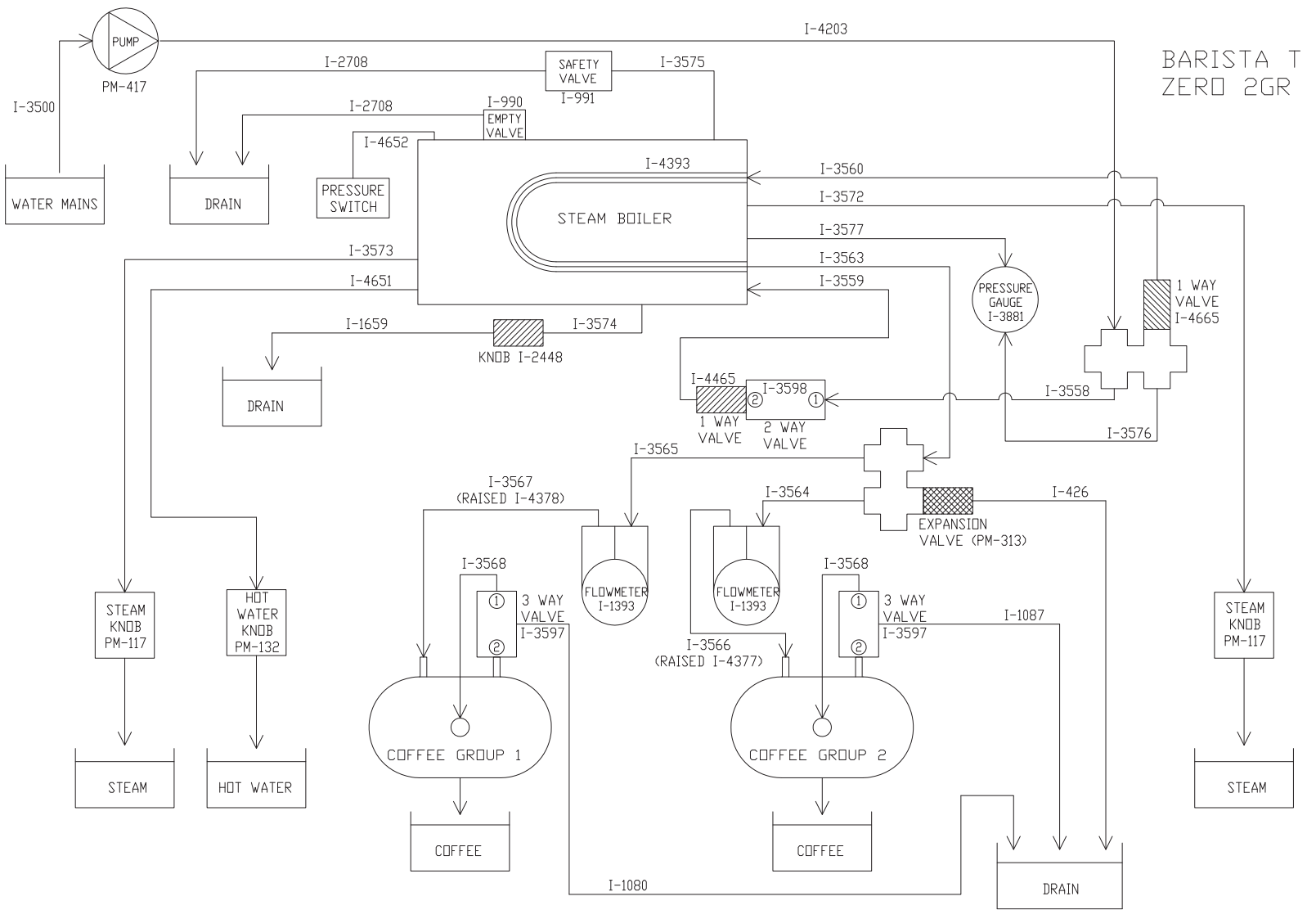




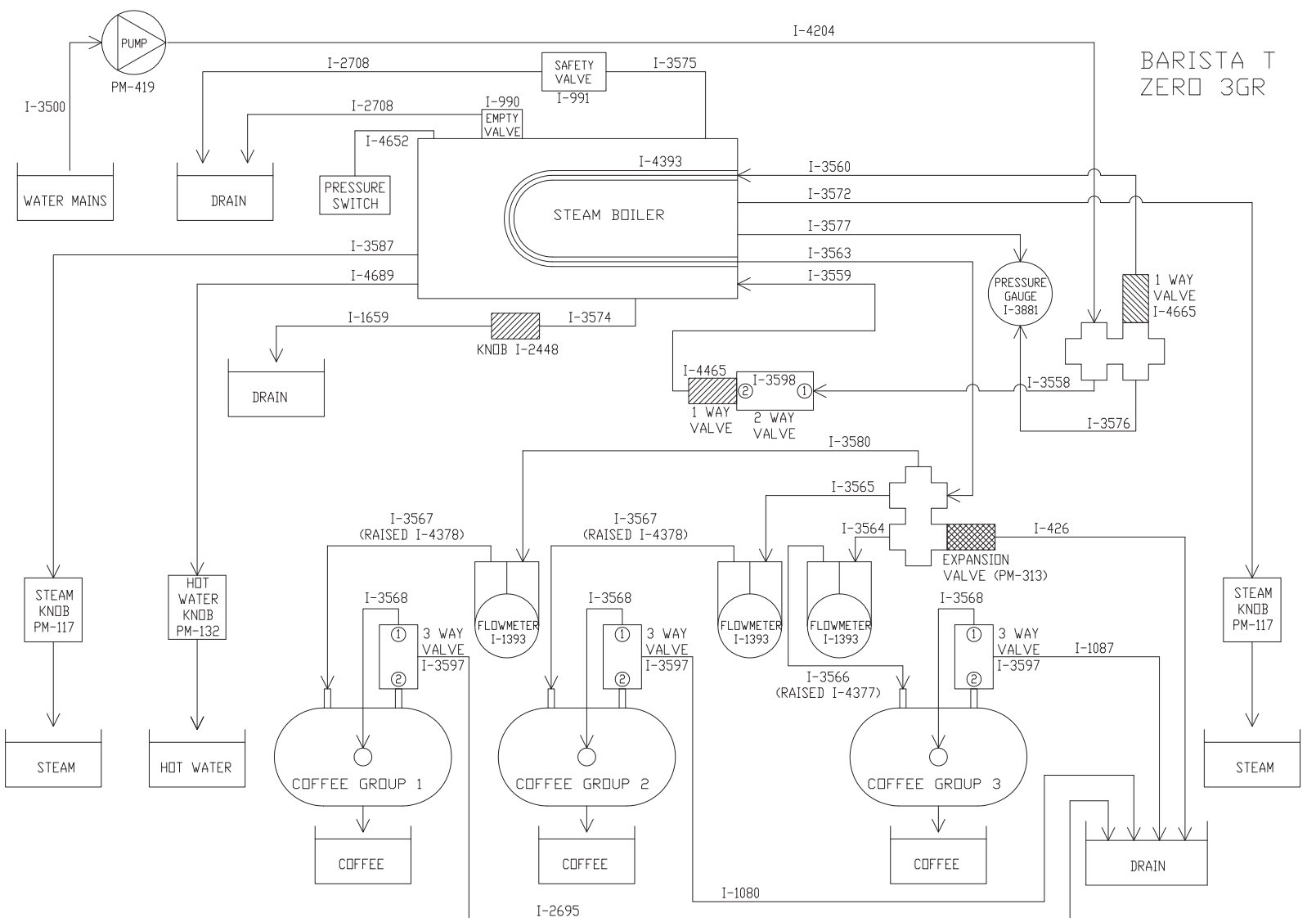
Esquema hidráulico Barista T ■ Electrical hydraulic Barista T







Esquema hidráulico Barista T ■ Electrical hydraulic Barista T



REF.	DESCRIPCIÓN	DESCRIPTION
I.3558	TUBO ENTRADA EV LLENADO BARISTA T	FILLING SOLENOID ENTRY PIPE BARISTA T
I.3559	TUBO SALIDA EV LLENADO BARISTA T	FILLING SOLENOID EXIT PIPE BARISTA T
I.3560	TUBO ENTRADA INTERCAMBIADOR CALDERA BARISTA T	BOILER EXCHANGER ENTRY PIPE BARISTA T
I.3563	TUBO SALIDA INTERCAMBIADOR CALDERA BARISTA T	BOILER EXCHANGE EXIT PIPE BARISTA T
I.3564	TUBO ENTRADA VOLUMETRICO 1 BARISTA T	FLOWMEWTER 1 ENTRY PIPE BARISTA T
I.3565	TUBO ENTRADA VOLUMETRICO 2 BARISTA T	FLOWMETER 2 ENTRY PIPE BARISTA T
I.3566	TUBO ENTRADA GRUPO 1 BARISTA T	GROUP 1 ENTRY PIPE BARISTA T
I.3567	TUBO ENTRADA GRUPO 2 BARISTA T	GROUP 2 ENTRY PIPE BARISTA T
I.3568	TUBO SALIDA GRUPO BARISTA T	GROUP EXIT PIPE BARISTA T
I.3569	TUBO AGUA FRIA BARISTA T PLUS 2GR	COLD WATER PIPE BARISTA T PLUS 2GR
I.3570	TUBO AGUA CALIENTE BARISTA T ONE 2GR	HOT WATER PIPE BARISTA T ONE 2GR
I.3571	TUBO AGUA MEZCLADA BARISTA T	MIXED WATER PIPE BARISTA T
I.3572	TUBO VAPOR DERECHO BARISTA T ONE	RIGHT STEAM PIPE BARISTA T ONE
I.3573	TUBO VAPOR IZQUIERDO BARISTA T ONE 2GR	LEFT STEAM PIPE BARISTA T ONE 2GR
I.3574	TUBO VACIADO CALDERA BARISTA T	BOILER EMPTYING PIPE BARISTA T
I.3575	TUBO VALVULA DE SEGURIDAD CALDERA BARISTA T	BOILER SECURITY VALVE PIPE BARISTA T
I.3576	TUBO MANOMETRO GRUPO BARISTA T	MANOMETER TUBE GROUP BARISTA T
I.3577	TUBO MANOMETRO VAPOR BARISTA T	MANOMETER PIPE STEAM BARISTA T
I.3578	TUBO AGUA CALIENTE BARISTA T PLUS 3GR	HOT WATER PIPE BARISTA T PLUS 3GR
I.3579	TUBO AGUA FRIA BARISTA T PLUS 3GR	COLD WATER PIPE BARISTA T PLUS 3GR
I.3580	TUBO ENTRADA VOLUMETRICO 3 BARISTA T	FLOWMETER 2 ENTRY PIPE BARISTA T
I.3581	TUBO AGUA CALIENTE BARISTA T PLUS 2GR	HOT WATER PIPE BARISTA T PLUS 2GR
I.3582	TUBO AGUA CALIENTE BARISTA T ONE 1GR	HOT WATER PIPE BARISTA T ONE 1GR
I.3583	TUBO VALVULA DE SEGURIDAD CALDERA BARISTA T 1GR	BOILER SECURITY VALVE PIPE BARISTA T 1GR
I.3584	TUBO ENTRADA VOLUMETRICO BARISTA T 1GR	FLOWMEWTER ENTRY PIPE BARISTA T 1GR
I.3586	TUBO AGUA CALIENTE BARISTA T ONE 3GR	HOT WATER PIPE BARISTA T ONE 3GR
I.3587	TUBO VAPOR IZQUIERDO BARISTA T ONE 3GR	LEFT STEAM PIPE BARISTA T ONE 3GR
I.4377	TUBO ENTRADA GRUPO 1 BARISTA T RAISED	GROUP 1 ENTRY PIPE BARISTA T RAISED
I.4378	TUBO ENTRADA GRUPOS 2/3 BARISTA T RAISED	GROUPS 2/3 ENTRY PIPE BARISTA T RAISED
I.4490	TUBO VAPOR DERECHO BARISTA T PLUS	RIGHT STEAM PIPE BARISTA T PLUS
I.4491	TUBO VAPOR IZQUIERDO BARISTA T PLUS 2GR	LEFT STEAM PIPE BARISTA T PLUS 2GR
I.4493	TUBO VAPOR IZQUIERDO BARISTA T PLUS 3GR	TUYAU VAPEUR GAUCHE BARISTA T PLUS 3GR
I.4543	TUBO ENTRADA EV LLENADO BARISTA T 1GR	FILLING SOLENOID ENTRY PIPE BARISTA T
I.4564	TUBO AGUA CALIENTE BARISTA T PLUS 1GR	HOT WATER PIPE BARISTA T PLUS 2GR
I.4565	TUBO AGUA FRIA BARISTA T PLUS 1GR	COLD WATER PIPE BARISTA T PLUS 1GR
I.4572	TUBO AGUA MEZCLADA BARISTA T PLUS 1GR	MIXED WATER PIPE BARISTA T PLUS 1GR
I.4651	TUBO AGUA CALIENTE BARISTA T ZERO 2 GRUPOS	HOT WATER PIPE BARISTA T ZERO 2 GR
I.4652	TUBO PRESOSTATO BARISTA T ZERO	PRESSURE SWITCH PIPE BARISTA T ZERO
I.4689	TUBO AGUA CALIENTE BARISTA T ZERO 3GR	HOT WATER PIPE BARISTA T ZERO 3GR