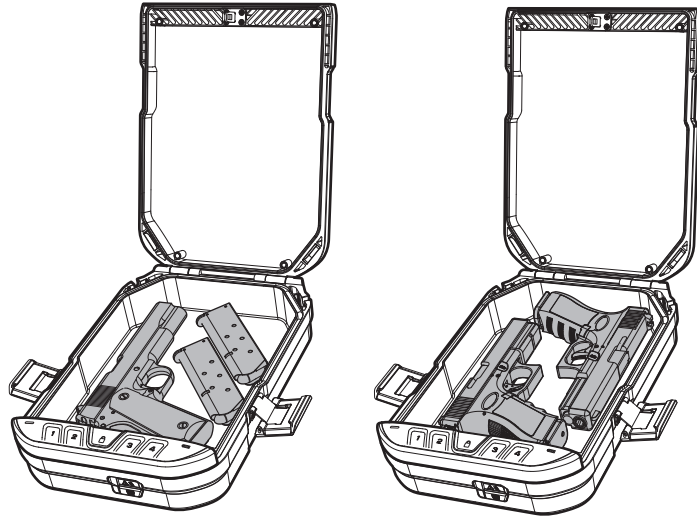




LIFEPOD 2.0

INTERIOR FITMENT TEMPLATE

INSTRUCTIONS Print the template on an 8.5" x 11" sheet of paper and place your valuables on the template to see if they fit. When printing, do not scale to fit, instead print at 100%.

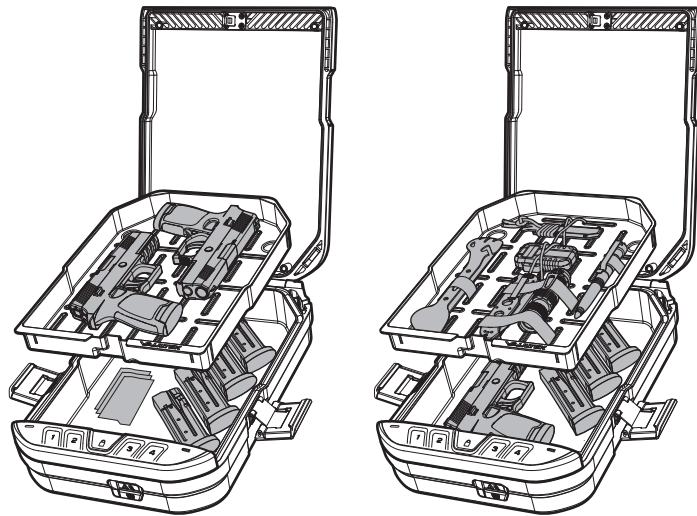


Tip!

REMOVE TRAY FOR LARGER ITEMS.

Remove tray for Full Size pistols or (2) Compacts + mags.

9.625"



Tip!

USE TRAY TO LAYER SMALLER ITEMS.

Use the tray to layer Sub-Compacts, spare mags, + EDC.
(2) velcro straps are provided to secure items to the tray.

7.25"