
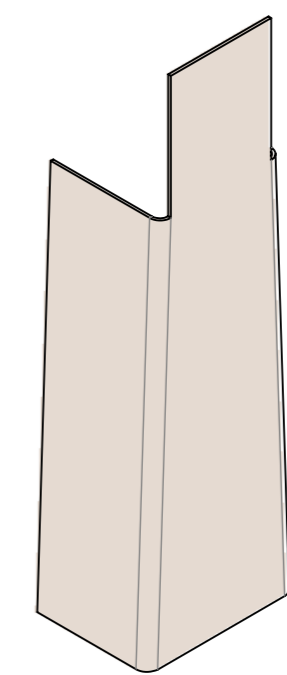
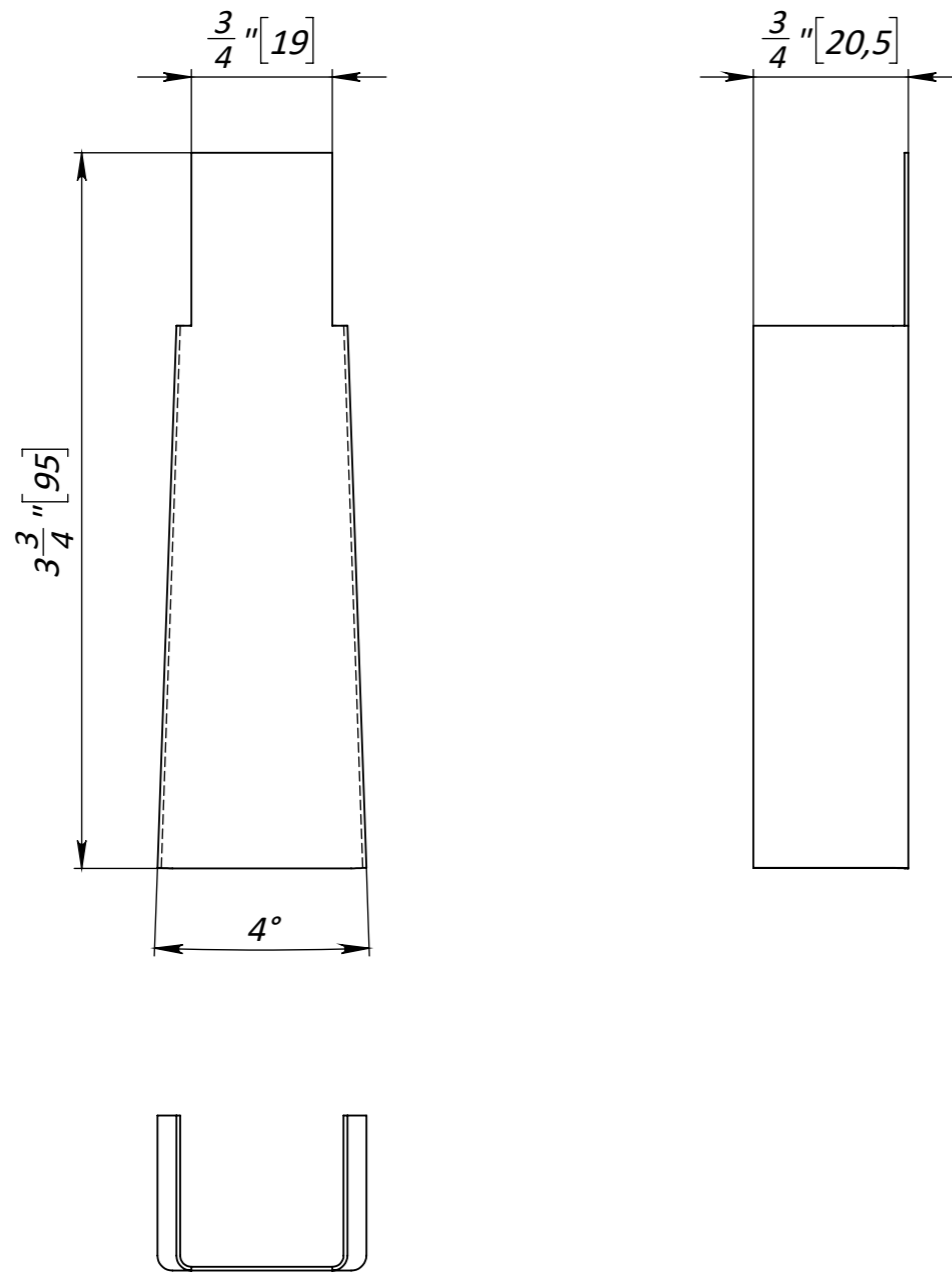


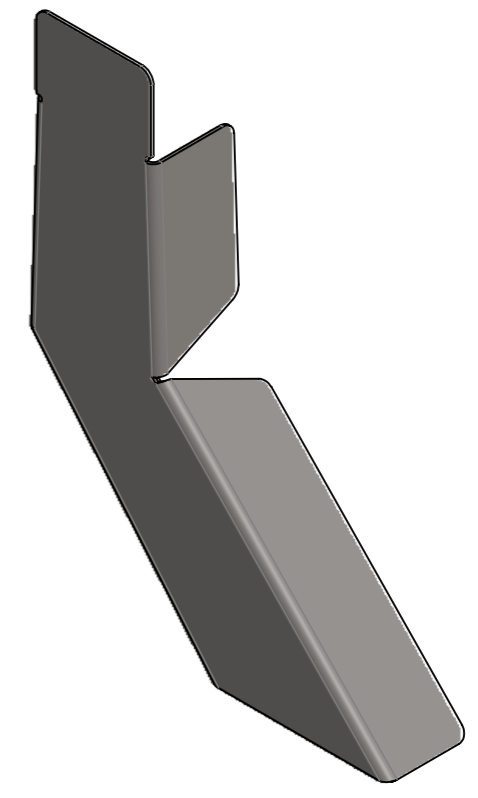
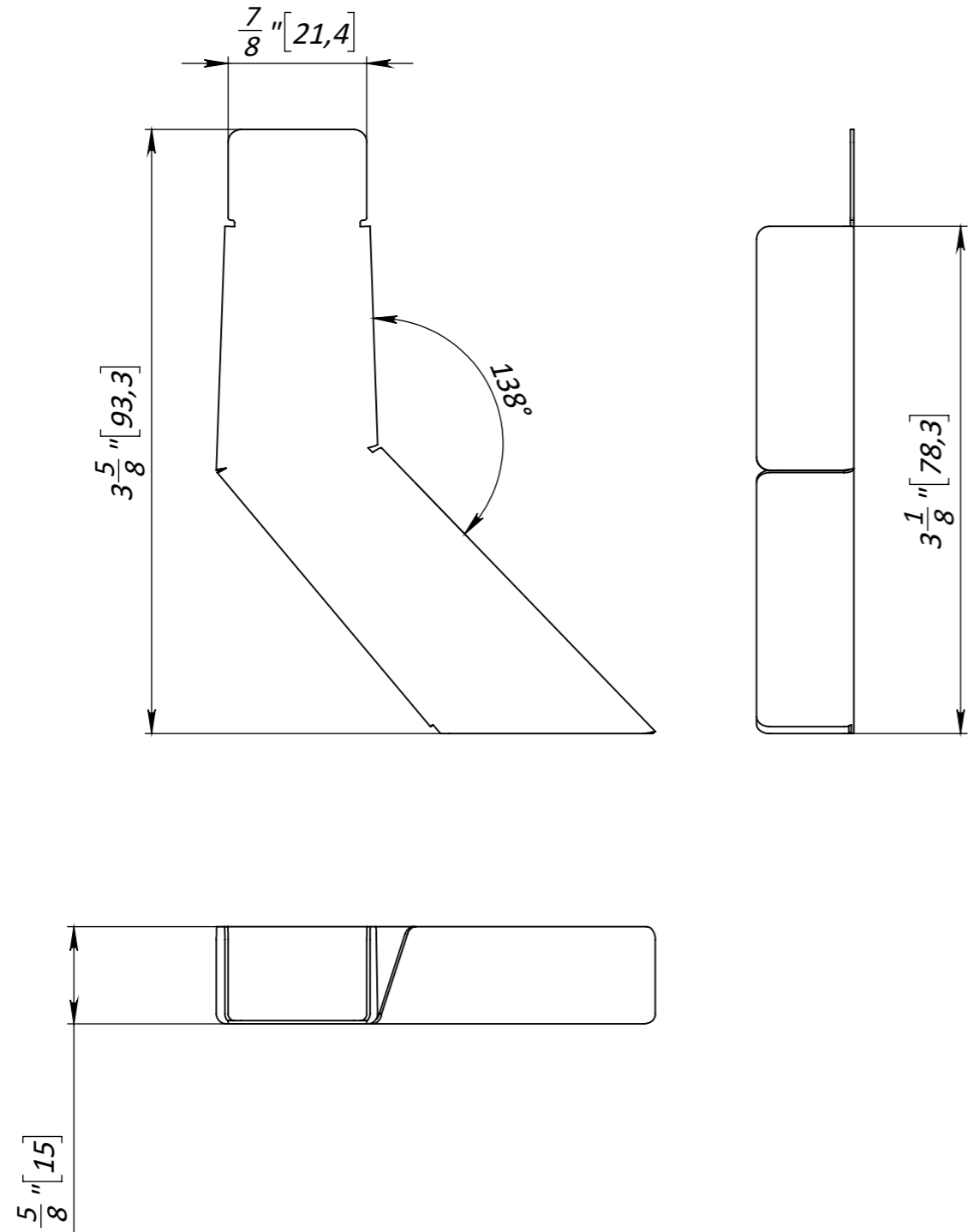
1. Dimensions for reference, inch [mm]
2. Delivery and packaging are carried out in accordance with the terms of the contract
3. The manufacturer reserves the right, without notice to the consumer, to make changes to the design of the products for improvement of their technological and operational parameters, which will not affect the quality and properties of the product.

UNLESS OTHERWISE SPECIFIED: DIMENSIONS ARE IN MILLIMETERS SURFACE FINISH: TOLERANCES: ISO 2768-m LINEAR: ANGULAR:				FINISH:		DEBURR AND BREAK SHARP EDGES		DO NOT SCALE DRAWING		REVISION	
											
								TITLE: Stainless Steel Endcap for Slot Drain Base T-type H1"			
DRAWN		NAME		SIGNATURE		DATE		MATERIAL:		ARTICLE:	
		Markovych				01.09.22		Stainless Steel (AISI 304)		6967-1T-25	
CHK'D								WEIGHT: 0.006 lb /0.003kg		SCALE:2:1	
APPV'D										SHEET 1 OF 1	
MFG										A3	
Q.A											



1. Dimensions for reference, inch [mm]
2. Delivery and packaging are carried out in accordance with the terms of the contract
3. The manufacturer reserves the right, without notice to the consumer, to make changes to the design of the products for improvement of their technological and operational parameters, which will not affect the quality and properties of the product.

UNLESS OTHERWISE SPECIFIED: DIMENSIONS ARE IN MILLIMETERS SURFACE FINISH: TOLERANCES: ISO 2768-m LINEAR: ANGULAR:			FINISH:		DEBURR AND BREAK SHARP EDGES		DO NOT SCALE DRAWING		REVISION		
							TITLE: Stainless Steel Endcap for Slot Drain Base T-type H4"				
DRAWN Markovych			SIGNATURE		DATE 29.08.22		ARTICLE: 6967-1T-100		A3		
CHK'D Halushka							MATERIAL: Stainless Steel (AISI 304)				
APPV'D							WEIGHT: 0.04 lb /0.02kg		SCALE:1:1		
MFG							SHEET 1 OF 1				
Q.A											



1. Dimensions for reference, inch [mm]
2. Delivery and packaging are carried out in accordance with the terms of the contract
3. The manufacturer reserves the right, without notice to the consumer, to make changes to the design of the products for improvement of their technological and operational parameters, which will not affect the quality and properties of the product.

UNLESS OTHERWISE SPECIFIED: DIMENSIONS ARE IN MILLIMETERS SURFACE FINISH: TOLERANCES: ISO 2768-m LINEAR: ANGULAR:			FINISH:		DEBURR AND BREAK SHARP EDGES		DO NOT SCALE DRAWING		REVISION V.2			
							TITLE: Stainless Steel Endcap for Slot Drain Base L-type H4" left					
			MATERIAL: Stainless Steel		ARTICLE: 6967-1L-100-L			A3				
							WEIGHT: 0.04 lb /0.02kg		SCALE:1:1		SHEET 1 OF 1	
DRAWN		NAME		SIGNATURE		DATE						
CHK'D						01.09.22						
APPV'D												
MFG												
Q.A												