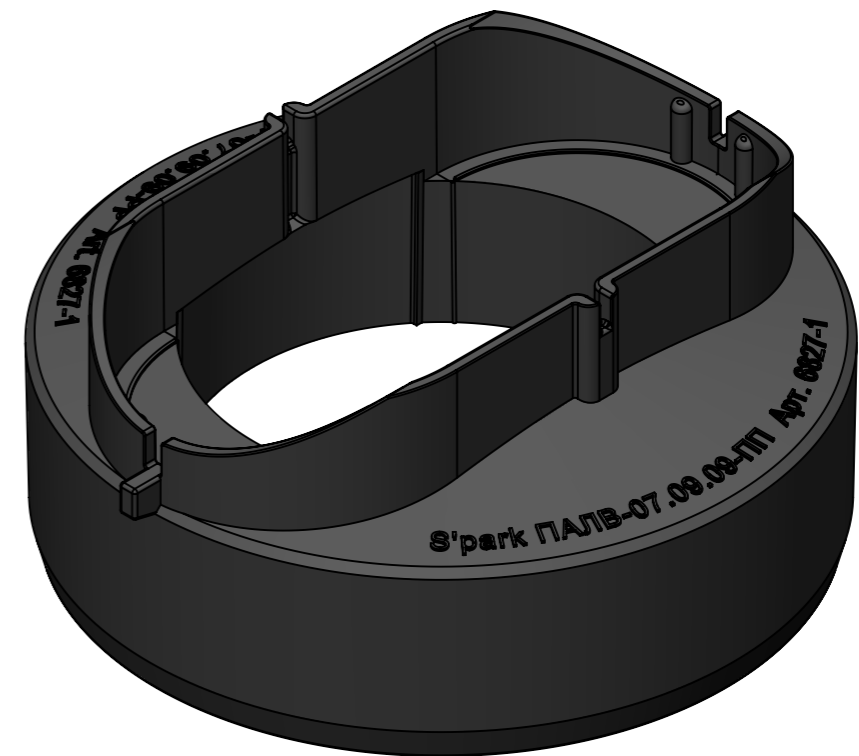
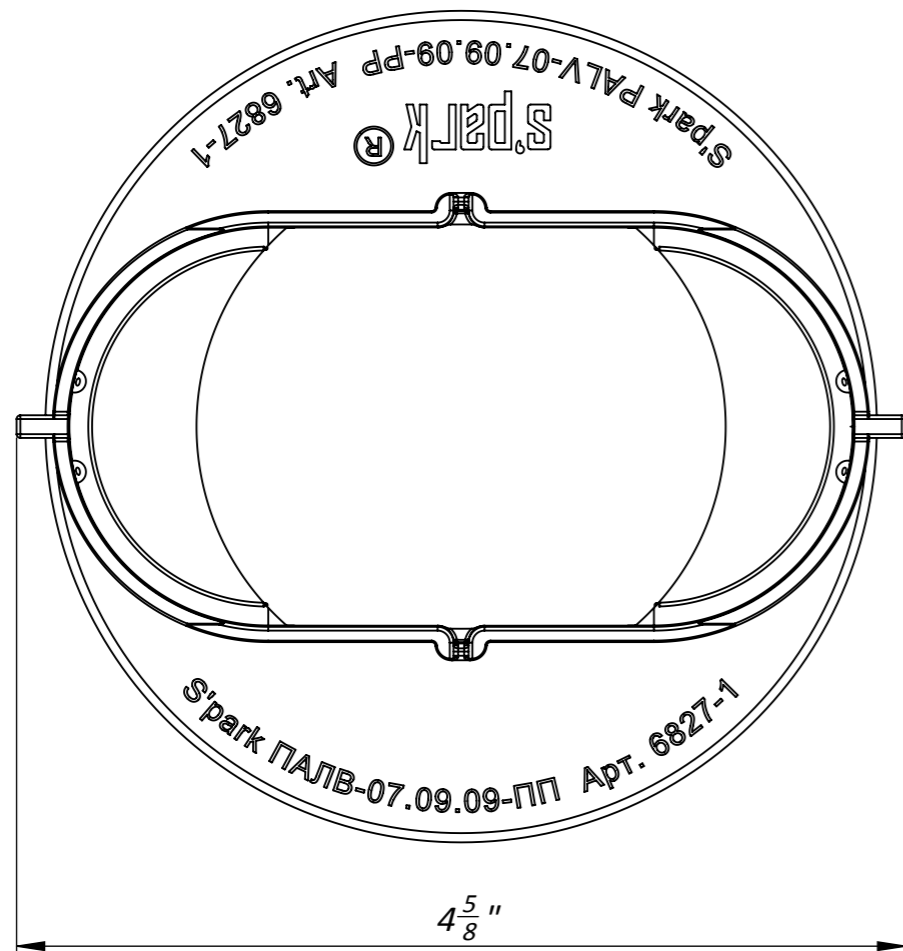
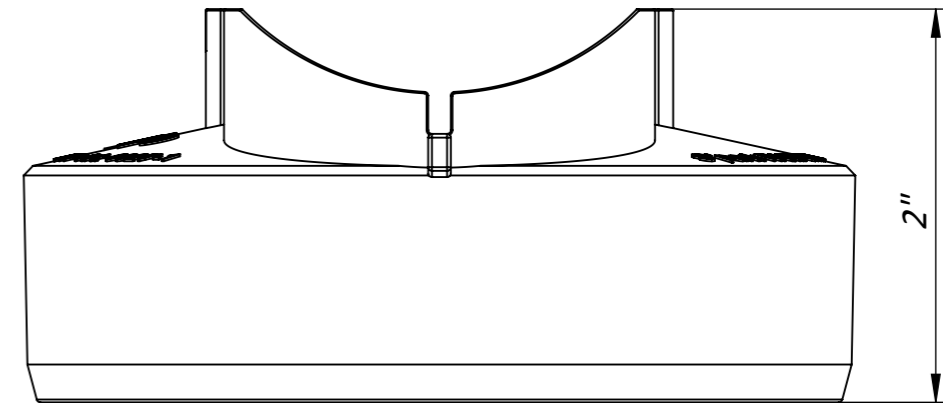
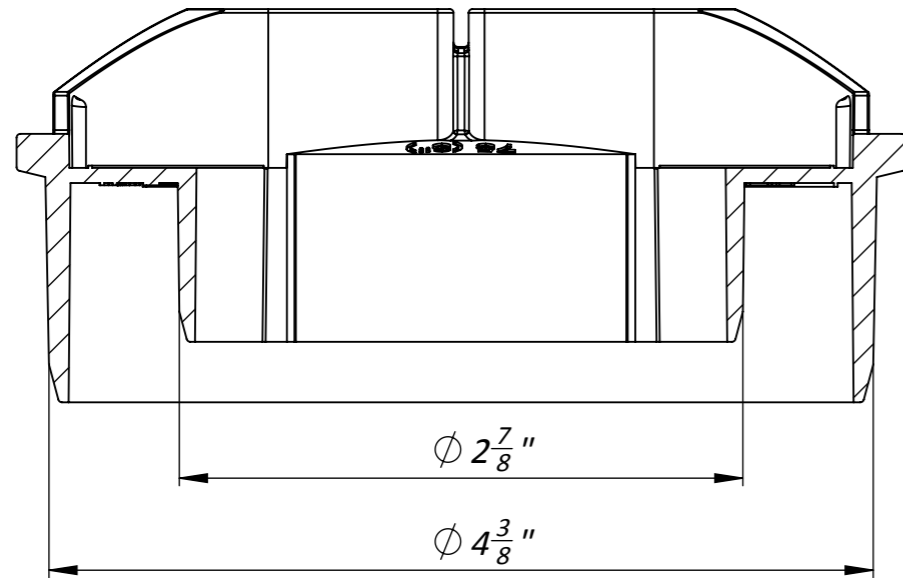


Spark 1 Nozzle



Deviation of the actual weight of the nominal can be up to 10%

					Art. 6827-1			
					Spark 1 Nozzle			
Rev.	Sheet	Doc. No.	Sign.	Data	6827-1	Let.	Weight (lb)	Scale
				11.09.18			0.1	1:1
					Sheet		Sheets 1	
					Plastic			

Primary Usage

Reference No.

Sign. and date

Copy inv. No.

Repl. Inv. No.

Sign. and date

Orig. Inv. No.