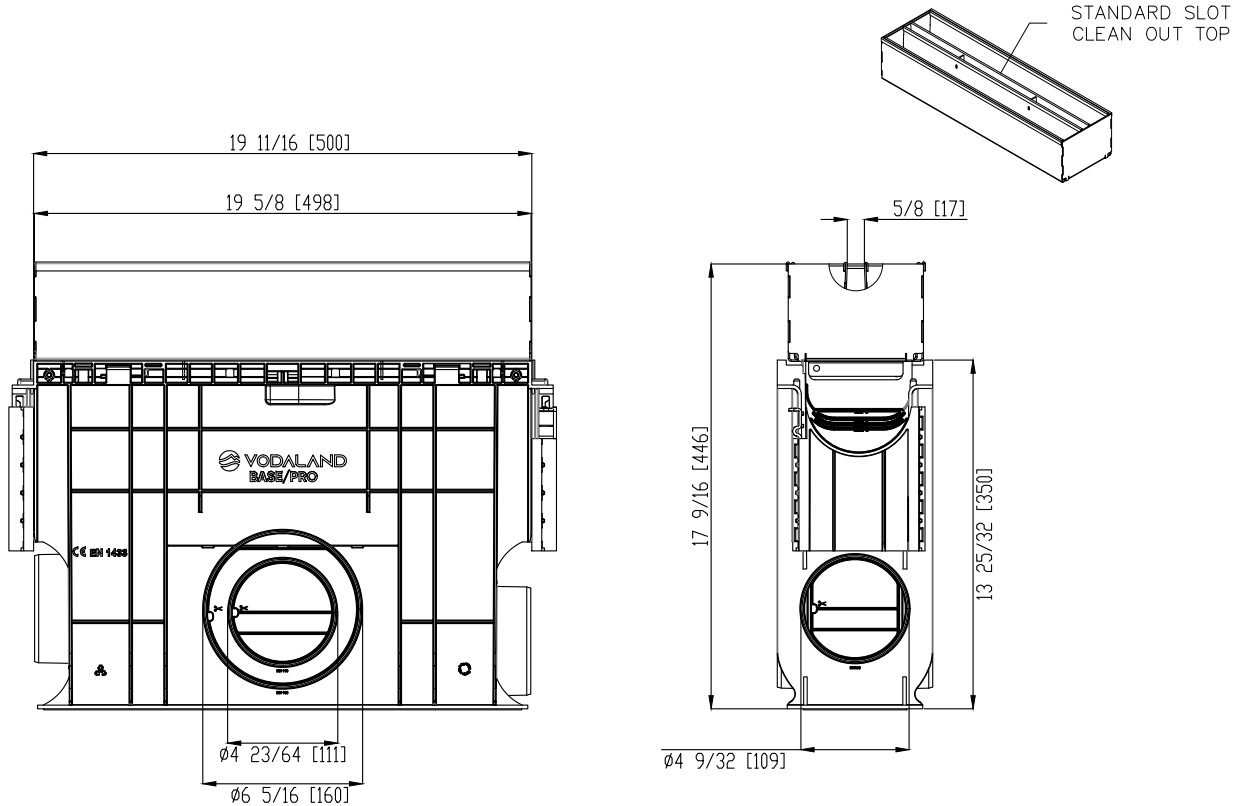


SLOT DRAIN CLEAN OUT SYSTEM - LOAD CLASS C250

SLOT CLEAN-OUT TOP, STANDARD GALVANIZED & STAINLESS STEEL



General: The SLOT Drain clean-out system by Vodaland Canada consists of the BASE 100P sand trap body with a SLOT removable clean-out top. The trap consists of a polypropylene plastic sand trap, basket, and channel connection adapters, all manufactured by Vodaland Canada.

Designed for compatibility with the SLOT 100P system (available in Stainless steel or Galvanized steel), the SLOT removable clean-out top securely fits onto the plastic trap’s frame. The outside compartments of this frame are fillable to allow for minimal visibility of the system after installation.

Slot Clean-out top specification: The SLOT removable clean-out top shall be 19.7” (500mm) long and have 0.67” (17mm) wide slot with 3.7” (94mm) throat and 3.9” (100mm) height. The SLOT removable clean-out top shall be manufactured from 304 stainless steel or galvanized steel as per specifier’s requirement. The SLOT clean-out top shall be rated load class C250 per EN1433 load specification.

Sand Trap specification: Sand Trap body shall be 19.7” (500mm) long and the nominal clear opening shall be 4” (100mm) with a 6.1” (156mm) overall width. Sand Traps shall be manufactured from UV stabilized 100% recycled polypropylene. Sand Trap shall have male-to-female interlocking joints to allow firm connection with plastic channels. Sand Traps shall withstand load class C250 as per EN1433.

Name	Article	H, in	H, mm
SLOT Drain Clean-out system - Galvanized Steel	808018.9-MGSG	17.6	446
SLOT Drain Clean-out system - Stainless Steel	808018.9-MSSG	17.6	446

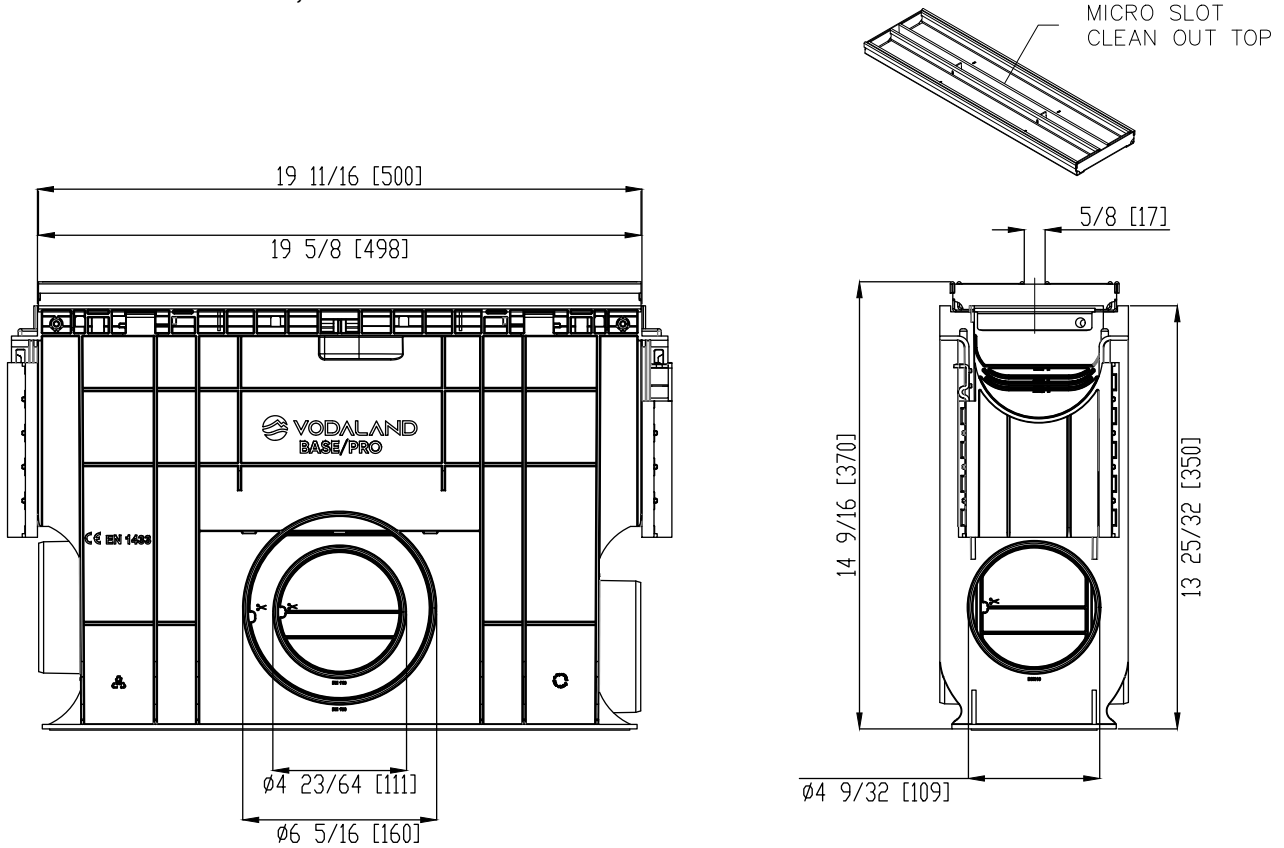
REVISED: 2024

Vodaland Canada Inc.

1-5900 Ambler Dr, Mississauga, ON L4W 2N3 • Phone: 905-238-1771 • Email: info@vodaland.ca

SLOT DRAIN CLEAN OUT SYSTEM - LOAD CLASS A15

SLOT CLEAN-OUT TOP, MICRO GALVANIZED & STAINLESS STEEL



General: The SLOT Drain clean-out system by Vodaland Canada consists of the BASE 100P sand trap body with a SLOT removable clean-out top. The trap consists of a polypropylene plastic sand trap, basket, and channel connection adapters, all manufactured by Vodaland Canada.

Designed for compatibility with the SLOT 100P system (available in Stainless steel or Galvanized steel), the SLOT removable clean-out top securely fits onto the plastic trap's frame. The outside compartments of this frame are fillable to allow for minimal visibility of the system after installation.

Slot clean-out top specification: The SLOT removable clean-out top shall be 19.7" (500mm) long and have 0.67" (17mm) wide slot with 3.7" (94mm) throat and 1.0" (25mm) height. The SLOT removable clean-out top shall be manufactured from 304 stainless steel or galvanized steel as per specifier's requirement. The SLOT clean-out top shall be rated load class A15 per EN1433 load specification.

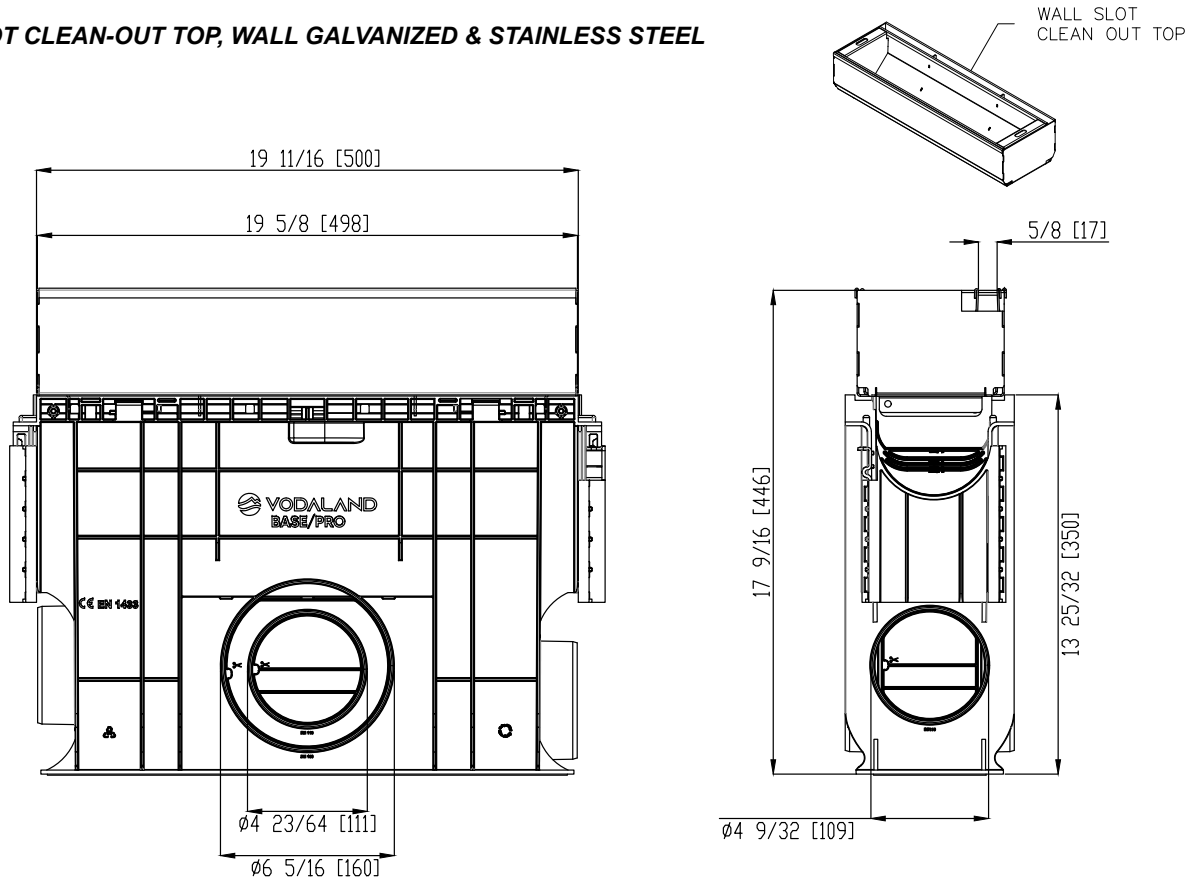
Sand Trap specification: Sand Trap body shall be 19.7" (500mm) long and the nominal clear opening shall be 4" (100mm) with a 6.1" (156mm) overall width. Sand Traps shall be manufactured from UV stabilized 100% recycled polypropylene. Sand Trap shall have male-to-female interlocking joints to allow firm connection with plastic channels. Sand Traps shall withstand load class A15 as per EN1433.

Name	Article	H, in	H, mm
SLOT Drain Clean-out system - Galvanized Steel	808018.9-MGSGM	14.6	370
SLOT Drain Clean-out system - Stainless Steel	808018.9-MSSGM	17.6	370

REVISED: 2024

SLOT DRAIN CLEAN OUT SYSTEM - LOAD CLASS C250

SLOT CLEAN-OUT TOP, WALL GALVANIZED & STAINLESS STEEL



General: The SLOT Drain clean-out system by Vodaland Canada consists of the BASE 100P sand trap body with a SLOT removable clean-out top. The trap consists of a polypropylene plastic sand trap, basket, and channel connection adapters, all manufactured by Vodaland Canada.

Designed for compatibility with the SLOT 100P system (available in Stainless steel or Galvanized steel), the SLOT removable clean-out top securely fits onto the plastic trap's frame. The outside compartments of this frame are fillable to allow for minimal visibility of the system after installation.

Slot clean-out top specification: The SLOT removable clean-out top shall be 19.7" (500mm) long and have 0.67" (17mm) wide slot with 3.7" (94mm) throat and 3.9" (100mm) height. The SLOT removable clean-out top shall be manufactured from 304 stainless steel or galvanized steel as per specifier's requirement. The SLOT clean-out top shall be rated load class C250 per EN1433 load specification.

Sand Trap specification: Sand Trap body shall be 19.7" (500mm) long and the nominal clear opening shall be 4" (100mm) with a 6.1" (156mm) overall width. Sand Traps shall be manufactured from UV stabilized 100% recycled polypropylene. Sand Trap shall have male-to-female interlocking joints to allow firm connection with plastic channels. Sand Traps shall withstand load class C250 as per EN1433.

Name	Article	H, in	H, mm
SLOT Drain Clean-out system - Galvanized Steel	808018.9-MGSGW	17.6	446
SLOT Drain Clean-out system - Stainless Steel	808018.9-MSSGW	17.6	446

REVISED: 2024

Vodaland Canada Inc.

1-5900 Ambler Dr, Mississauga, ON L4W 2N3 • Phone: 905-238-1771 • Email: info@vodaland.ca