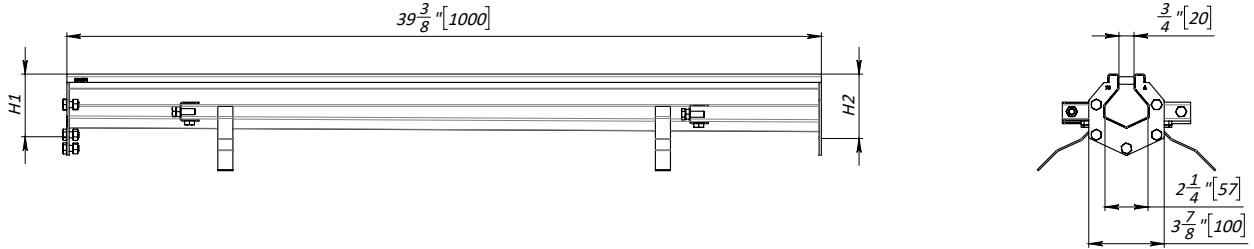


STAINLESS SLOT DRAIN 100 SYSTEM - LOAD CLASS D400

STAINLESS SLOT DRAIN 100



General: The slot drain shall be Vodaland Canada STAINLESS slot drain 100 as manufactured by Vodaland or approved equal.

Specification: Slot drains shall be 39.4" (1000mm) long and have 0.79" (20mm) wide slot with 2.24" (57mm) throat and 3.94" (100mm) overall width. Modular slot drain sections shall be made of grade 304 16ga. stainless steel. Units shall have a secure bolted, flanged connection between sections that will not separate during the installation. Slot drains shall have built in slope of 0.5% or neutral 0% as per specifier's requirements. Sections shall have leveling studs standard to secure trench in its final location. Slot drain shall withstand load class D400 per EN1433 load

Drainage performance:

- *Water intake area of 31 sq. in. (200 cm²)
- *See flow rate chart for channel flow rates

Neutral slope

Name	Item #	H, in	H, mm	W, lb
Slot drain 100 channel H3"	992021	3.0	75	8.1
Slot drain 100 channel H3.1"	992022	3.1	80	8.3
Slot drain 100 channel H3.3"	992023	3.3	85	8.6
Slot drain 100 channel H3.5"	992024	3.5	90	9.0
Slot drain 100 channel H3.7"	992025	3.7	95	9.2
Slot drain 100 channel H3.9"	992026	3.9	100	9.5
Slot drain 100 channel H4.1"	992027	4.1	105	9.7
Slot drain 100 channel H4.3"	992028	4.3	110	10.2
Slot drain 100 channel H4.5"	992029	4.5	115	10.5
Slot drain 100 channel H4.7"	992030	4.7	120	10.7
Slot drain 100 channel H4.9"	992031	4.9	125	10.9
Slot drain 100 channel H5.1"	992032	5.1	130	11.4
Slot drain 100 channel H5.3"	992033	5.3	135	11.6
Slot drain 100 channel H5.5"	992034	5.5	140	11.8
Slot drain 100 channel H5.7"	992035	5.7	145	12.1

REVISED: 2023

STAINLESS SLOT DRAIN 100 SYSTEM - LOAD CLASS D400
STAINLESS SLOT DRAIN 100
0.5% slope

Name	Item #	H1, in	H1, mm	H2, in	H2, mm	W, lb
Slot drain 100 channel H2.76"-2.95"	992001	2.76	70	2.95	75	8.0
Slot drain 100 channel H2.95"-3.15"	992002	2.95	75	3.15	80	8.2
Slot drain 100 channel H3.15"-3.35"	992003	3.15	80	3.35	85	8.4
Slot drain 100 channel H3.35"-3.54"	992004	3.35	85	3.54	90	8.8
Slot drain 100 channel H3.54"-3.74"	992005	3.54	90	3.74	95	9.1
Slot drain 100 channel H3.74"-3.94"	992006	3.74	95	3.94	100	9.4
Slot drain 100 channel H3.94"-4.13"	992007	3.94	100	4.13	105	9.6
Slot drain 100 channel H4.13"-4.33"	992008	4.13	105	4.33	110	9.9
Slot drain 100 channel H4.33"-4.53"	992009	4.33	110	4.53	115	10.3
Slot drain 100 channel H4.53"-4.72"	992010	4.53	115	4.72	120	10.6
Slot drain 100 channel H4.72"-4.92"	992011	4.72	120	4.92	125	10.8
Slot drain 100 channel H4.92"-5.12"	992012	4.92	125	5.12	130	11.1
Slot drain 100 channel H5.12"-5.31"	992013	5.12	130	5.31	135	11.5
Slot drain 100 channel H5.31"-5.51"	992014	5.31	135	5.51	140	11.7
Slot drain 100 channel H5.51"-5.71"	992015	5.51	140	5.71	145	11.9

Notes:

*NBR flange gaskets are available for use instead of sealant.

Flow rate chart, 0.5% slope

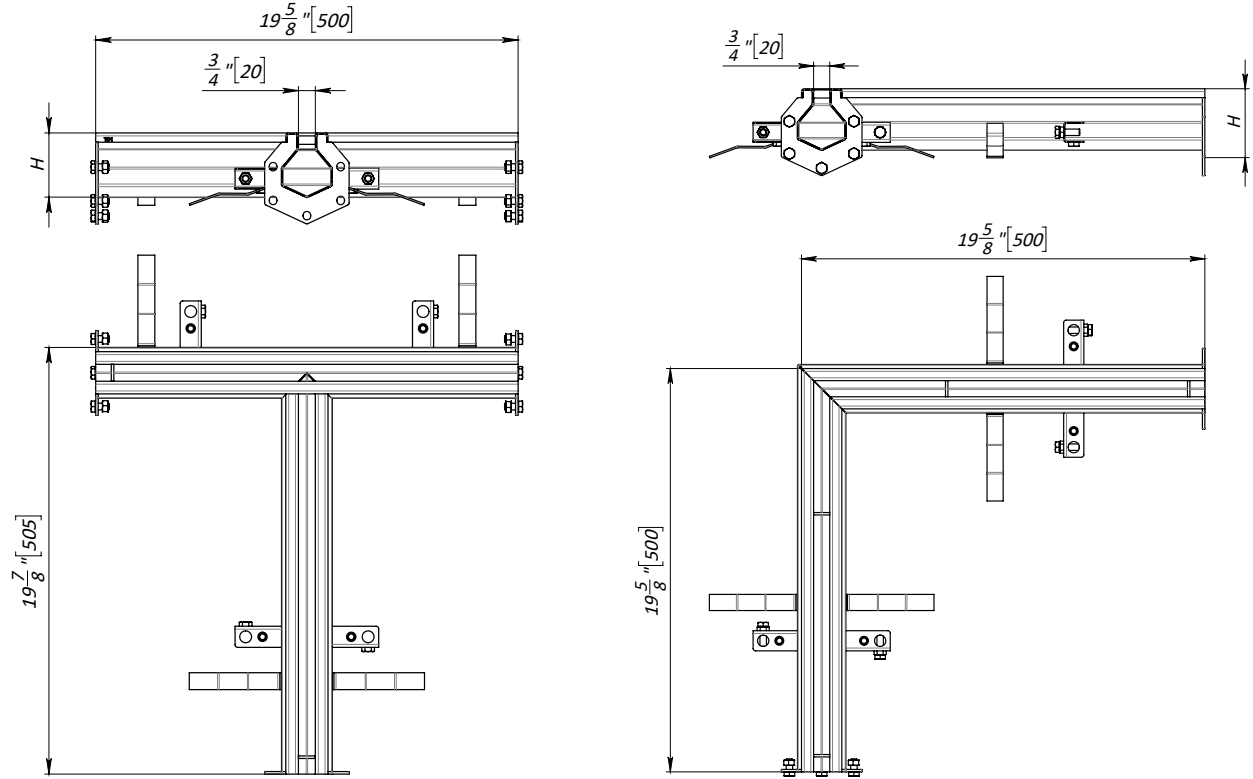
Name	Item #	GPM	L/s
Slot drain 100 channel H2.76"-2.95"	992001	13.54	0.85
Slot drain 100 channel H2.95"-3.15"	992002	15.87	1.00
Slot drain 100 channel H3.15"-3.35"	992003	18.25	1.15
Slot drain 100 channel H3.35"-3.54"	992004	20.66	1.30
Slot drain 100 channel H3.54"-3.74"	992005	23.11	1.46
Slot drain 100 channel H3.74"-3.94"	992006	25.59	1.61
Slot drain 100 channel H3.94"-4.13"	992007	28.08	1.77
Slot drain 100 channel H4.13"-4.33"	992008	30.60	1.93
Slot drain 100 channel H4.33"-4.53"	992009	33.14	2.09
Slot drain 100 channel H4.53"-4.72"	992010	35.69	2.25
Slot drain 100 channel H4.72"-4.92"	992011	38.25	2.41
Slot drain 100 channel H4.92"-5.12"	992012	40.82	2.58
Slot drain 100 channel H5.12"-5.31"	992013	43.41	2.74
Slot drain 100 channel H5.31"-5.51"	992014	46.00	2.90
Slot drain 100 channel H5.51"-5.71"	992015	48.60	3.07

REVISED: 2023
Vodaland Canada Inc.

 1-5900 Ambler Dr, Mississauga, ON L4W 2N3 • Phone: 905-238-1771 • Email: info@vodaland.ca

STAINLESS SLOT DRAIN 100 SYSTEM - LOAD CLASS D400

STAINLESS SLOT DRAIN 100



L-shaped channels

Name	Item #	H, in	H, mm	W, lb
Slot drain 100 L-shaped channel H3"	992041	3.0	75	7.8
Slot drain 100 L-shaped channel H3.1"	992042	3.1	80	8
Slot drain 100 L-shaped channel H3.3"	992043	3.3	85	8.2
Slot drain 100 L-shaped channel H3.5"	992044	3.5	90	8.7
Slot drain 100 L-shaped channel H3.7"	992045	3.7	95	8.9
Slot drain 100 L-shaped channel H3.9"	992046	3.9	100	9.1
Slot drain 100 L-shaped channel H4.1"	992047	4.1	105	9.3
Slot drain 100 L-shaped channel H4.3"	992048	4.3	110	9.8
Slot drain 100 L-shaped channel H4.5"	992049	4.5	115	10
Slot drain 100 L-shaped channel H4.7"	992050	4.7	120	10.3
Slot drain 100 L-shaped channel H4.9"	992051	4.9	125	10.5
Slot drain 100 L-shaped channel H5.1"	992052	5.1	130	10.9
Slot drain 100 L-shaped channel H5.3"	992053	5.3	135	11.1
Slot drain 100 L-shaped channel H5.5"	992054	5.5	140	11.4
Slot drain 100 L-shaped channel H5.7"	992055	5.7	145	11.6

REVISED: 2023

Vodaland Canada Inc.

1-5900 Ambler Dr, Mississauga, ON L4W 2N3 • Phone: 905-238-1771 • Email: info@vodaland.ca

STAINLESS SLOT DRAIN 100 SYSTEM - LOAD CLASS D400
STAINLESS SLOT DRAIN 100
T-shaped channels

Name	Item #	H, in	H, mm	W, lb
Slot drain 100 T-shaped channel H3"	992061	3.0	75	8
Slot drain 100 T-shaped channel H3.1"	992062	3.1	80	8.2
Slot drain 100 T-shaped channel H3.3"	992063	3.3	85	8.4
Slot drain 100 T-shaped channel H3.5"	992064	3.5	90	8.9
Slot drain 100 T-shaped channel H3.7"	992065	3.7	95	9.1
Slot drain 100 T-shaped channel H3.9"	992066	3.9	100	9.3
Slot drain 100 T-shaped channel H4.1"	992067	4.1	105	9.5
Slot drain 100 T-shaped channel H4.3"	992068	4.3	110	10.2
Slot drain 100 T-shaped channel H4.5"	992069	4.5	115	10.4
Slot drain 100 T-shaped channel H4.7"	992070	4.7	120	10.6
Slot drain 100 T-shaped channel H4.9"	992071	4.9	125	10.8
Slot drain 100 T-shaped channel H5.1"	992072	5.1	130	11.3
Slot drain 100 T-shaped channel H5.3"	992073	5.3	135	11.5
Slot drain 100 T-shaped channel H5.5"	992074	5.5	140	11.7
Slot drain 100 T-shaped channel H5.7"	992075	5.7	145	11.9

Notes:

*NBR flange gaskets are available for use instead of sealant.

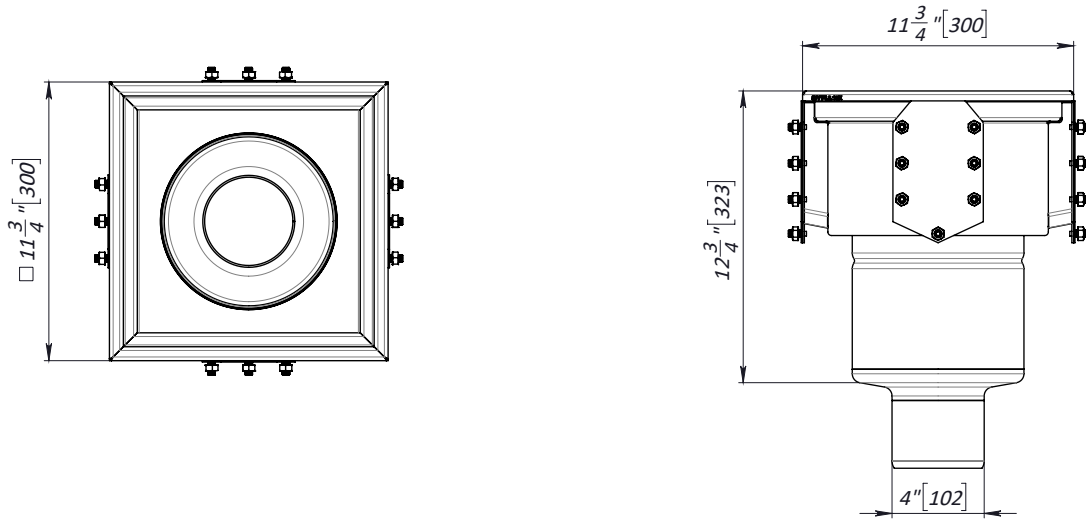
Accessories

Name	Item #	For channel height, in
Stainless steel end cap, type A	992101	3.0 - 3.4
Stainless steel end cap, type B	992102	3.5 - 4.1
Stainless steel end cap, type C	992103	4.3 - 4.9
Stainless steel end cap, type D	992104	5.1 - 5.7
Stainless steel end cap w/ outlet, type A	992120	3.0 - 3.4
Stainless steel end cap w/ outlet, type B	992121	3.5 - 4.1
Stainless steel end cap w/ outlet, type C	992122	4.3 - 4.9
Stainless steel end cap w/ outlet, type D	992123	5.1 - 5.7
Stainless steel transition flange, type A	992107	3.0 - 3.4
Stainless steel transition flange, type B	992108	3.5 - 4.1
Stainless steel transition flange, type C	992109	4.3 - 4.9

REVISED: 2023

STAINLESS SLOT DRAIN 100 SYSTEM - LOAD CLASS D400

STAINLESS SLOT DRAIN 100 CATCH BASIN



General: The catch basin shall be Vodaland Canada STAINLESS slot drain catch basin as manufactured by Vodaland or approved equal.

Specification: Catch basin shall be 11.8" (300mm) long and 11.8" (300mm) wide. Catch basin shall be made of grade 304 16ga. stainless steel. Catch basin is equipped with a stainless steel slot cover or mesh grating and shall withstand a required EN1433 load class.

Description

Name	Item #	H, in	H, mm	L, in	L, mm	W, lb
Slot drain 100 catch basin	992193	12.7	323	11.8	300	16
Slot drain cover	993039	1.2	30	10.5	266	10.8
Slot drain mesh grate	993038	1.2	30	10.5	266	6
Slot drain "ladder" grate	993037	1.2	30	10.5	266	14.26

Notes:

*Catch basin features a bottom outlet Ø102mm (4")