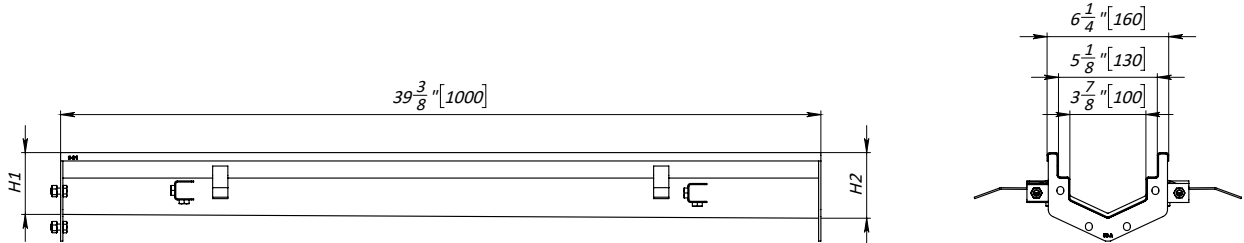


STAINLESS 100 SYSTEM - LOAD CLASS C250

4" (100mm) STAINLESS STEEL TRENCH DRAIN



General: The trench drain shall be Vodaland Canada STAINLESS 100 as manufactured by Vodaland or approved equal.

Specification: STAINLESS 100 trench drain shall be 39.4" (1000mm) long and the nominal clear opening shall be 3.9" (100mm) with 6.3" (160mm) overall width. Channels shall have a secure bolted, flanged connection between sections that will not separate during the installation. Channels shall be made of grade 304 16ga. stainless steel. Channels can be manufactured from grade 316 stainless steel upon request. STAINLESS 100 trench drain shall have a V shaped bottom and 0.5% or neutral 0% built in slope. Channels can be manufactured with 1% built in slope upon request. Each unit shall come with grade 304 stainless steel grate rated load class C250 as per EN1433. Channels shall have leveling studs standard to secure trench in its final location. The product is certified and fully compliant to EN1253 and EN1433.

Drainage performance:

*See flow rate chart for channel flow rates

Neutral slope

Name	Item #	H, in	H, mm	W, lb
4" STAINLESS channel H3.3"	992221	3.3	85	13.5
4" STAINLESS channel H3.5"	992222	3.5	90	13.9
4" STAINLESS channel H3.7"	992223	3.7	95	14.3
4" STAINLESS channel H3.9"	992224	3.9	100	14.7
4" STAINLESS channel H4.1"	992225	4.1	105	15
4" STAINLESS channel H4.3"	992226	4.3	110	15.4
4" STAINLESS channel H4.5"	992227	4.5	115	15.8
4" STAINLESS channel H4.7"	992228	4.7	120	16.2
4" STAINLESS channel H4.9"	992229	4.9	125	16.6
4" STAINLESS channel H5.1"	992230	5.1	130	16.9
4" STAINLESS channel H5.3"	992231	5.3	135	17.3
4" STAINLESS channel H5.5"	992232	5.5	140	17.7
4" STAINLESS channel H5.7"	992233	5.7	145	18.1
4" STAINLESS channel H5.9"	992234	5.9	150	18.4
4" STAINLESS channel H6.1"	992235	6.1	155	18.8

REVISED: 2023

STAINLESS 100 SYSTEM - LOAD CLASS C250
4" (100mm) STAINLESS STEEL TRENCH DRAIN
0.5% slope

Name	Item #	H1, in	H1, mm	H2, in	H2, mm	W, lb
4" STAINLESS channel H3.3"-3.1"	992201	3.1	80	3.3	85	8.0
4" STAINLESS channel H3.5"-3.3"	992202	3.3	85	3.5	90	8.2
4" STAINLESS channel H3.7"-3.5"	992203	3.5	90	3.7	95	8.4
4" STAINLESS channel H3.9"-3.7"	992204	3.7	95	3.9	100	8.8
4" STAINLESS channel H4.1"-3.9"	992205	3.9	100	4.1	105	9.1
4" STAINLESS channel H4.3"-4.1"	992206	4.1	105	4.3	110	9.4
4" STAINLESS channel H4.5"-4.3"	992207	4.3	110	4.5	115	9.6
4" STAINLESS channel H4.7"-4.5"	992208	4.5	115	4.7	120	9.9
4" STAINLESS channel H4.9"-4.7"	992209	4.7	120	4.9	125	10.3
4" STAINLESS channel H5.1"-4.9"	992210	4.9	125	5.1	130	10.6
4" STAINLESS channel H5.3"-5.1"	992211	5.1	130	5.3	135	10.8
4" STAINLESS channel H5.5"-5.3"	992212	5.3	135	5.5	140	11.1
4" STAINLESS channel H5.7"-5.5"	992213	5.5	140	5.7	145	11.5
4" STAINLESS channel H5.9"-5.7"	992214	5.7	145	5.9	150	11.7
4" STAINLESS channel H6.1"-5.9"	992215	5.9	150	6.1	155	11.9

Notes:

*NBR flange gaskets are available for use instead of sealant.

Flow rate chart, 0.5% slope

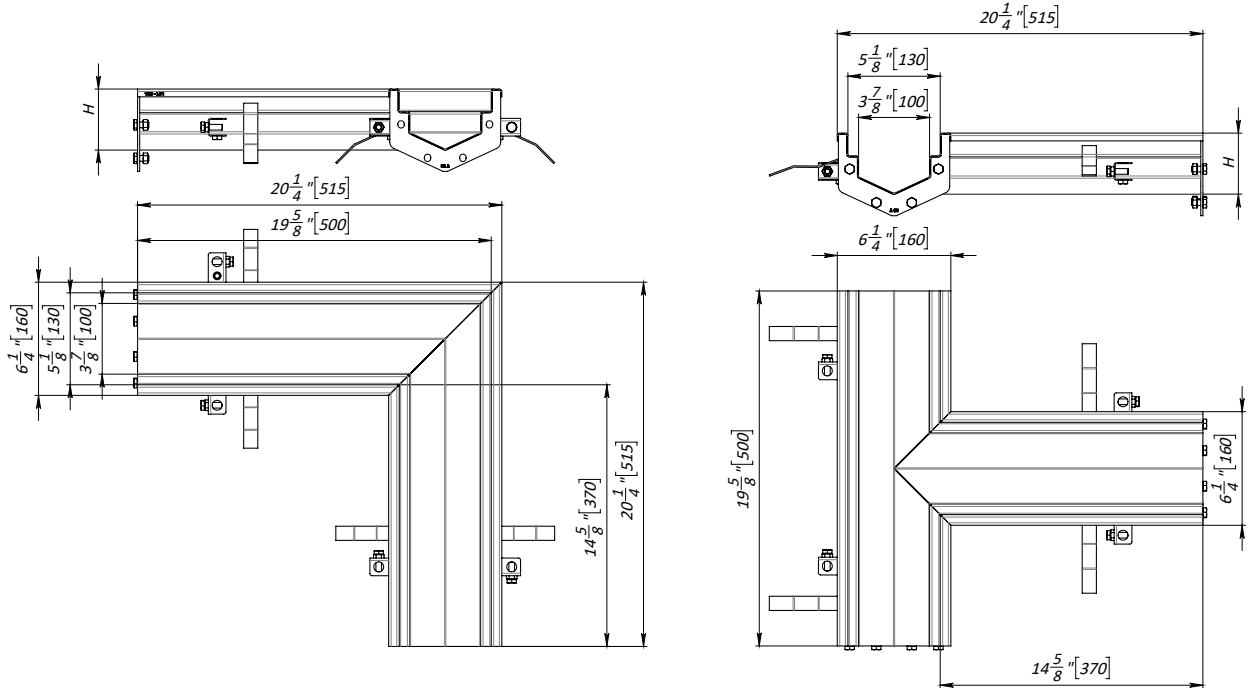
Name	Item #	L/s	GPM
4" STAINLESS channel H3.3"-3.1"	992201	2.06	32.63
4" STAINLESS channel H3.5"-3.3"	992202	2.42	38.33
4" STAINLESS channel H3.7"-3.5"	992203	2.79	44.17
4" STAINLESS channel H3.9"-3.7"	992204	3.16	50.12
4" STAINLESS channel H4.1"-3.9"	992205	3.54	56.16
4" STAINLESS channel H4.3"-4.1"	992206	3.93	62.28
4" STAINLESS channel H4.5"-4.3"	992207	4.32	68.46
4" STAINLESS channel H4.7"-4.5"	992208	4.71	74.70
4" STAINLESS channel H4.9"-4.7"	992209	5.11	80.99
4" STAINLESS channel H5.1"-4.9"	992210	5.51	87.33
4" STAINLESS channel H5.3"-5.1"	992211	5.91	93.70
4" STAINLESS channel H5.5"-5.3"	992212	6.32	100.11
4" STAINLESS channel H5.7"-5.5"	992213	6.72	106.55
4" STAINLESS channel H5.9"-5.7"	992214	7.13	113.01
4" STAINLESS channel H6.1"-5.9"	992215	7.54	119.50

REVISED: 2023
Vodaland Canada Inc.

 1-5900 Ambler Dr, Mississauga, ON L4W 2N3 • Phone: 905-238-1771 • Email: info@vodaland.ca

STAINLESS 100 SYSTEM - LOAD CLASS C250

4" (100mm) STAINLESS STEEL TRENCH DRAIN



L-shaped channels

Name	Item #	H, in	H, mm	W, lb
4" STAINLESS L-shaped channel H3.3"	992241	3.3	85	8.96
4" STAINLESS L-shaped channel H3.5"	992242	3.5	90	9.14
4" STAINLESS L-shaped channel H3.7"	992243	3.7	95	9.31
4" STAINLESS L-shaped channel H3.9"	992244	3.9	100	9.84
4" STAINLESS L-shaped channel H4.1"	992245	4.1	105	10
4" STAINLESS L-shaped channel H4.3"	992246	4.3	110	10.2
4" STAINLESS L-shaped channel H4.5"	992247	4.5	115	10.4
4" STAINLESS L-shaped channel H4.7"	992248	4.7	120	10.9
4" STAINLESS L-shaped channel H4.9"	992249	4.9	125	11.1
4" STAINLESS L-shaped channel H5.1"	992250	5.1	130	11.3
4" STAINLESS L-shaped channel H5.3"	992251	5.3	135	11.5
4" STAINLESS L-shaped channel H5.5"	992252	5.5	140	12
4" STAINLESS L-shaped channel H5.7"	992253	5.7	145	12.2
4" STAINLESS L-shaped channel H5.9"	992254	5.9	150	12.3
4" STAINLESS L-shaped channel H6.1"	992255	6.1	155	12.5

STAINLESS 100 SYSTEM - LOAD CLASS C250
4" (100mm) STAINLESS STEEL TRENCH DRAIN
T-shaped channels

Name	Item #	H, in	H, mm	W, lb
4" STAINLESS T-shaped channel H3.3"	992261	3.3	85	8.29
4" STAINLESS T-shaped channel H3.5"	992262	3.5	90	8.43
4" STAINLESS T-shaped channel H3.7"	992263	3.7	95	8.57
4" STAINLESS T-shaped channel H3.9"	992264	3.9	100	9.24
4" STAINLESS T-shaped channel H4.1"	992265	4.1	105	9.38
4" STAINLESS T-shaped channel H4.3"	992266	4.3	110	9.52
4" STAINLESS T-shaped channel H4.5"	992267	4.5	115	9.66
4" STAINLESS T-shaped channel H4.7"	992268	4.7	120	10.36
4" STAINLESS T-shaped channel H4.9"	992269	4.9	125	10.49
4" STAINLESS T-shaped channel H5.1"	992270	5.1	130	10.63
4" STAINLESS T-shaped channel H5.3"	992271	5.3	135	10.77
4" STAINLESS T-shaped channel H5.5"	992272	5.5	140	11.44
4" STAINLESS T-shaped channel H5.7"	992273	5.7	145	11.58
4" STAINLESS T-shaped channel H5.9"	992274	5.9	150	11.72
4" STAINLESS T-shaped channel H6.1"	992275	6.1	155	11.86

Notes:

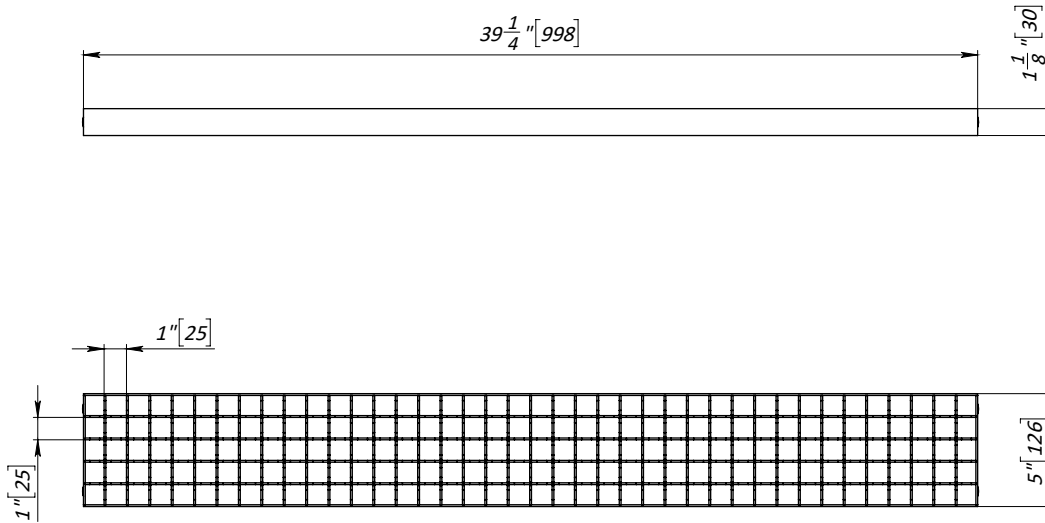
*NBR flange gaskets are available for use instead of sealant.

Accessories

Name	Item #	For channel height, in
Stainless steel end cap, type A	992301	3.1 - 3.7
Stainless steel end cap, type B	992302	3.9 - 4.5
Stainless steel end cap, type C	992303	4.7 - 5.3
Stainless steel end cap, type D	992304	5.5 - 6.1
Stainless steel end cap w/ vertical outlet, type A	992320	3.1 - 3.7
Stainless steel end cap w/ vertical outlet, type B	992321	3.9 - 4.5
Stainless steel end cap w/ vertical outlet, type C	992322	4.7 - 5.3
Stainless steel end cap w/ vertical outlet, type D	992323	5.5 - 6.1
Stainless steel end cap w/ horizontal outlet, type A	992330	3.1 - 3.7
Stainless steel end cap w/ horizontal outlet, type B	992331	3.9 - 4.5
Stainless steel end cap w/ horizontal outlet, type C	992332	4.7 - 5.3
Stainless steel end cap w/ horizontal outlet, type D	992333	5.5 - 6.1
Stainless steel transition flange, type A	992107	3.1 - 3.7
Stainless steel transition flange, type B	992108	3.9 - 4.5
Stainless steel transition flange, type C	992109	4.7 - 5.3

REVISED: 2023
Vodaland Canada Inc.

 1-5900 Ambler Dr, Mississauga, ON L4W 2N3 • Phone: 905-238-1771 • Email: info@vodaland.ca

STAINLESS 100 SYSTEM - LOAD CLASS C250
4" (100mm) STAINLESS STEEL GRATING


Name	Item #	W, lb
4" Stainless steel mesh grate	990128	10.65

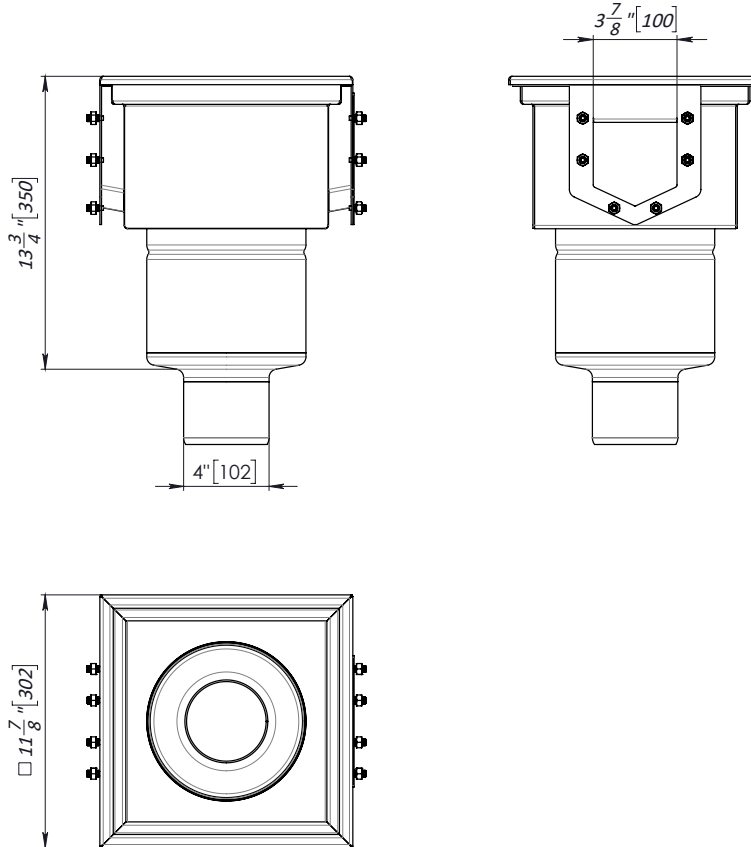
Drainage performance:

*Water intake area of 163.99 sq. in. (1058 cm²).

*For detailed grating drawing refer to Vodaland Canada website or consult with one of our professionals.

STAINLESS 100 SYSTEM - LOAD CLASS C250

STAINLESS INLINE CATCH BASIN



General: The catch basin shall be Vodaland Canada STAINLESS inline catch basin as manufactured by Vodaland or approved equal.

Specification: Catch basin shall be 11.89" (302mm) long and 11.89" (302mm) wide. Catch basin shall be made of grade 304 16ga. stainless steel. Catch basin is equipped with a stainless steel mesh grating and shall withstand a required EN1433 load class.

Description

Name	Item #	H, in	H, mm	L, in	L, mm	W, lb
STAINLESS inline catch basin	992393	13.78	350	11.89	302	14.6
Stainless steel mesh grate	993038	1.2	30	10.5	266	6

Notes:

*Catch basin features a bottom outlet Ø102mm (4")