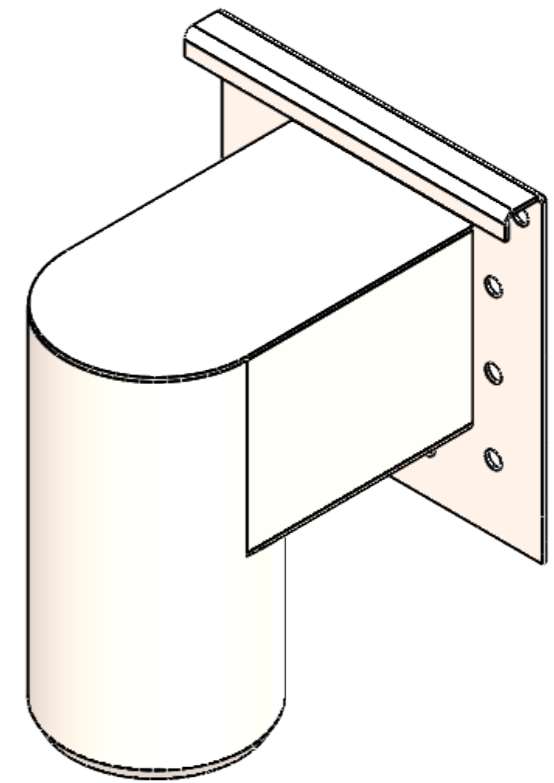
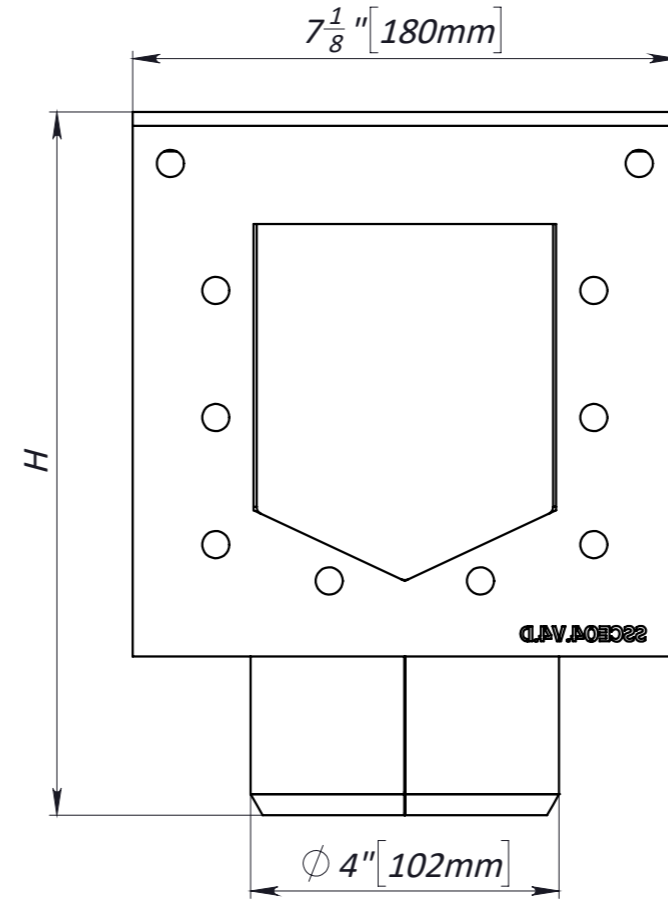
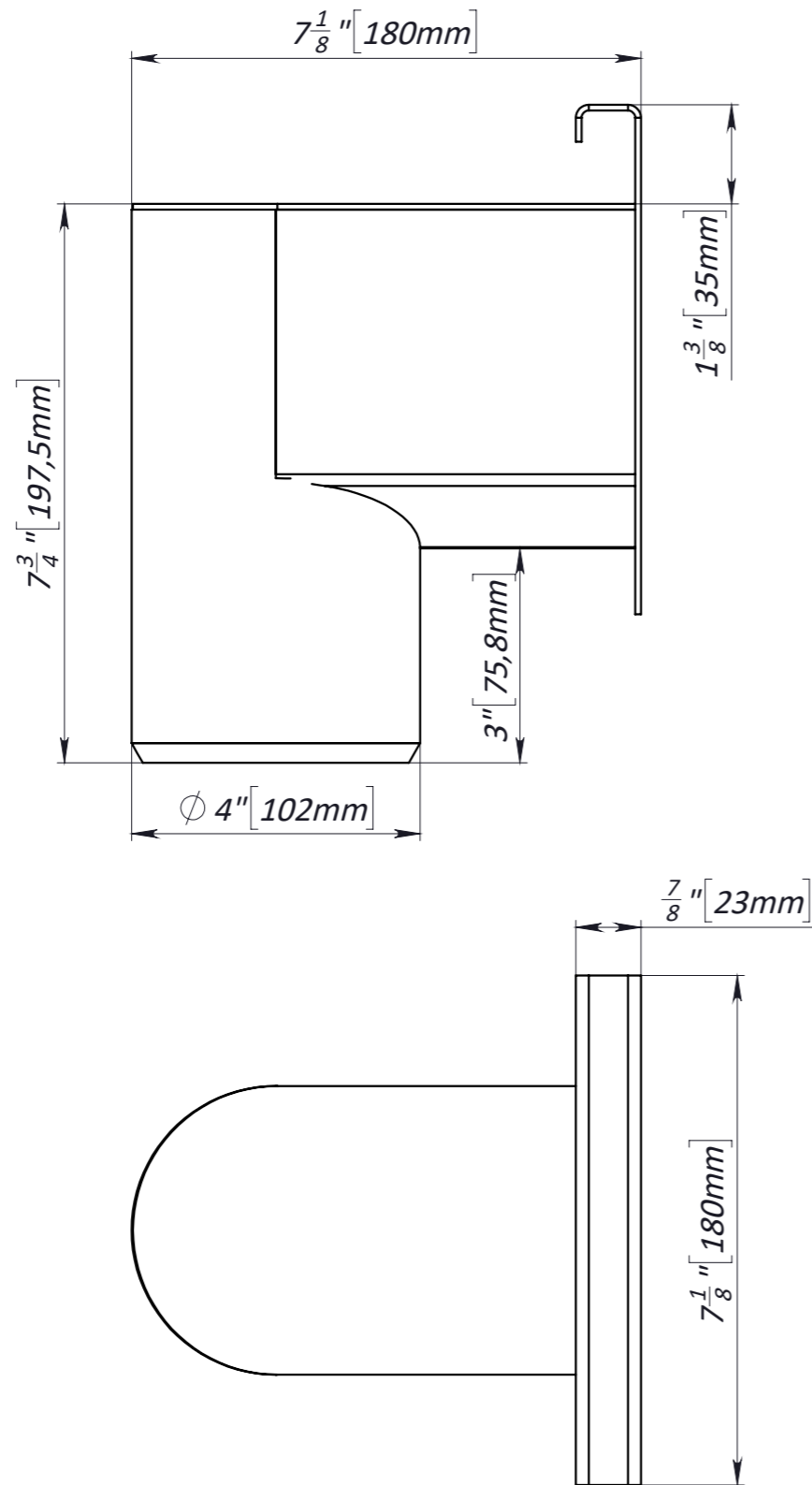


Primary Usage	Reference No.	Sign. and date	Copy inv. No.	Repl. Inv. No.	Sign. and date	Orig. Inv. No.
---------------	---------------	----------------	---------------	----------------	----------------	----------------

4" End Cap with vertical outlet 4"



1. Area of water intake slots 00 sq in [00 sq cm]
2. Deviation of the actual weight of the nominal can be up to 10%

Article	Mass (lb)	H (inch)	applicable to
SSCEO4.V4.A	3,00	6,79	SSC4.0-01 - SSC4.0-03 / SSC4.1-01 - SSC4.1-03
SSCEO4.V4.B	3,30	7,58	SSC4.0-04 - SSC4.0-07 / SSC4.1-04 - SSC4.1-07
SSCEO4.V4.C	3,60	8,37	SSC4.0-08 - SSC4.0-11 / SSC4.1-08 - SSC4.1-11
SSCEO4.V4.D	3,90	9,15	SSC4.0-12 - SSC4.0-15 / SSC4.1-12 - SSC4.1-15

Rev.	Sheet	Doc. No.	Sign.	Data	Art. 4" End Cap with vertical outlet 4"		
<p style="text-align: center;"><b>SSCEO4.V4</b></p> <p style="text-align: center;">Stainless Steel</p>					Let.	Weight (lb)	Scale
							1:2.5
Sheet						Sheets 1	