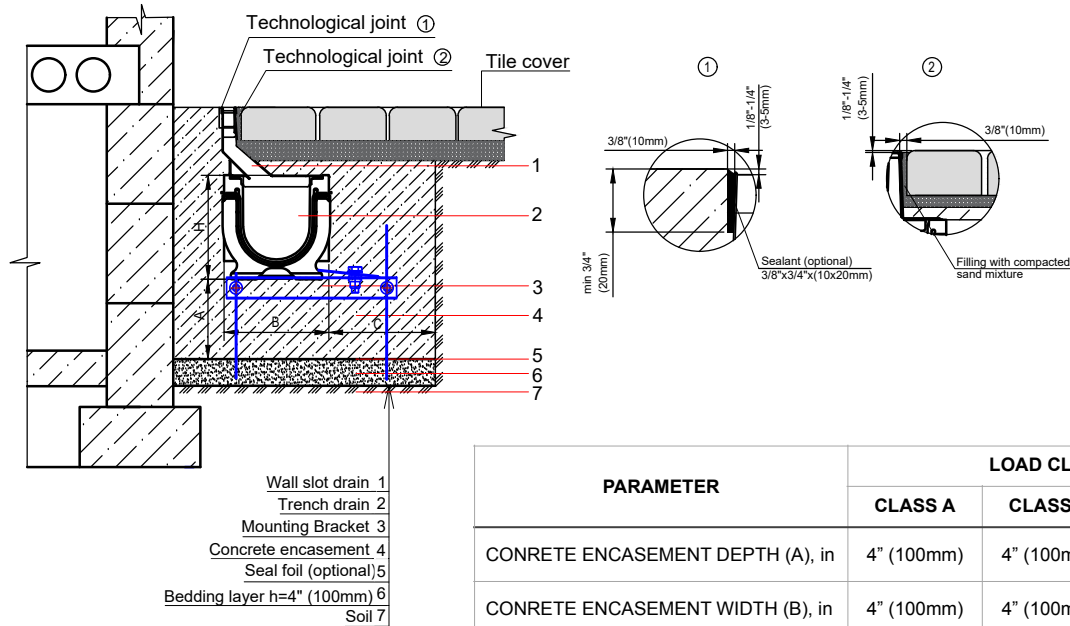


SLOT 100P WALL SYSTEM - LOAD CLASS A15-C250
 ENCLOSED PAVER PAVEMENT INSTALLATION

SLOT DRAIN, WALL

NOTES:

- SPECIFIER IS RESPONSIBLE FOR CONCRETE ENCASEMENT AND REINFORCING BASED UPON APPLICATION AND LOCAL CODES.
- EXPANSION AND CONTRACTION CONTROL JOINTS AND REINFORCEMENT ARE RECOMMENDED TO PROTECT CHANNEL AND CONCRETE SURROUND. ENGINEERING ADVICE MAY BE REQUIRED.
- CONCRETE SHOULD BE VIBRATED TO REMOVE AIR POCKETS.
- THIS INSTALLATION SCHEME IS A RECOMMENDATION. CONSULT WITH THE MANUFACTURER FOR INSTALLATION INSTRUCTIONS.
- THE FINISHED LEVEL OF CONCRETE SURROUND SHOULD BE 1/8" - 3/16" (3-5mm) ABOVE THE TOP OF THE CHANNEL EDGE.

GENERAL: THE SURFACE DRAINAGE SYSTEM SHALL BE VODALAND CANADA SLOT 100P WALL CONSISTING OF SLOT DRAIN COMPONENT AND BASE 100P POLYPROPYLENE PLASTIC CHANNEL BODY AS MANUFACTURED BY VODALAND OR APPROVED EQUAL.

SLOT SPECIFICATION: THE SLOT DRAIN SHALL BE 39.3" (998mm) LONG AND HAVE 0.67" (17mm) WIDE SLOT WITH 3.7" (94mm) THROAT AND 3.9" (100mm) HEIGHT. THE SLOT DRAIN SHALL BE MANUFACTURED FROM 304 STAINLESS STEEL OR GALVANIZED STEEL PER SPECIFIER'S REQUIREMENT. THE SLOT SHALL HAVE AN L SHAPE AND BE RATED LOAD CLASS C250 PER EN1433 LOAD SPECIFICATION.

CHANNEL SPECIFICATION: CHANNEL BODY SHALL BE 39.4" (1000mm) LONG AND THE NOMINAL CLEAR OPENING SHALL BE 4" (100mm) WITH 6.1" (156mm) OVERALL WIDTH. CHANNELS SHALL BE MANUFACTURED FROM UV STABILIZED 100% RECYCLED POLYPROPYLENE. UNITS SHALL HAVE MALE-TO-FEMALE INTERLOCKING JOINTS THAT WILL NOT SEPARATE DURING THE INSTALLATION. CHANNELS SHALL HAVE A RADIUS SELF CLEANING BOTTOM WITH A MANNING'S COEFFICIENT OF 0.009 AND 1% OR NEUTRAL 0% BUILT IN SLOPE. CHANNELS SHALL WITHSTAND LOAD CLASS C250 AS PER EN1433.

THE COMPLETE DRAINAGE SYSTEM SHALL BE BY VODALAND CANADA INC. ANY DEVIATION OR PARTIAL SYSTEM DESIGN AND/OR IMPROPER INSTALLATION WILL VOID ANY AND ALL WARRANTIES PROVIDED BY VODALAND CANADA INC.

REVISED: 2023

SLOT 100P WALL SYSTEM - LOAD CLASS A15-C250
ENCLOSED PAVER PAVEMENT INSTALLATION**SLOT DRAIN, WALL****CHECK AND SPECIFY APPROPRIATE OPTIONS:****SLOT DRAIN AND CAP OPTIONS:**

| | | |
|--------------------------------------|--------------------------------------|----------|
| <input type="checkbox"/> 2017-1L-100 | GALVANIZED STEEL SLOT DRAIN | A15-C250 |
| <input type="checkbox"/> 2097-1L-100 | STAINLESS STEEL SLOT DRAIN | A15-C250 |
| <input type="checkbox"/> 6965 | STAINLESS STEEL CAP (ADA/HEEL-PROOF) | A15-C250 |
| <input type="checkbox"/> 6965-KD | STAINLESS STEEL CAP (RAIN DROP) | A15-C250 |

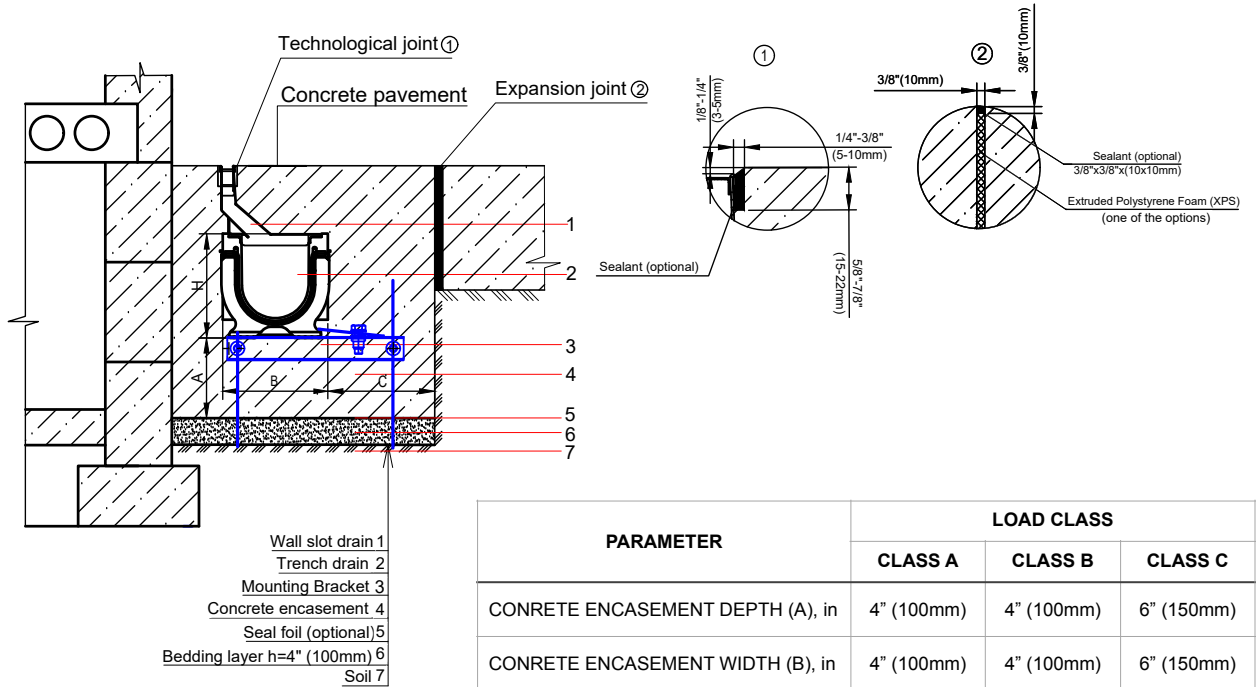
ADDITIONAL OPTIONS:

| |
|---|
| <input type="checkbox"/> 4" END CAP |
| <input type="checkbox"/> 4" END CAP W/ OUTLET |
| <input type="checkbox"/> 4" INLINE CLEAN-OUT TRAP |
| <input type="checkbox"/> 4" MOUNTING BRACKET |

SLOT 100P WALL SYSTEM - LOAD CLASS A15-C250

EXPOSED CONCRETE PAVEMENT INSTALLATION

SLOT DRAIN, WALL



NOTES:

- SPECIFIER IS RESPONSIBLE FOR CONCRETE ENCASEMENT AND REINFORCING BASED UPON APPLICATION AND LOCAL CODES.
- EXPANSION AND CONTRACTION CONTROL JOINTS AND REINFORCEMENT ARE RECOMMENDED TO PROTECT CHANNEL AND CONCRETE SURROUND. ENGINEERING ADVICE MAY BE REQUIRED.
- CONCRETE SHOULD BE VIBRATED TO REMOVE AIR POCKETS.
- THIS INSTALLATION SCHEME IS A RECOMMENDATION. CONSULT WITH THE MANUFACTURER FOR INSTALLATION INSTRUCTIONS.
- THE FINISHED LEVEL OF CONCRETE SURROUND SHOULD BE 1/8" - 3/16" (3-5mm) ABOVE THE TOP OF THE CHANNEL EDGE.

GENERAL: THE SURFACE DRAINAGE SYSTEM SHALL BE VODALAND CANADA SLOT 100P WALL CONSISTING OF SLOT DRAIN COMPONENT AND BASE 100P POLYPROPYLENE PLASTIC CHANNEL BODY AS MANUFACTURED BY VODALAND OR APPROVED EQUAL.

SLOT SPECIFICATION: THE SLOT DRAIN SHALL BE 39.3" (998mm) LONG AND HAVE 0.67" (17mm) WIDE SLOT WITH 3.7" (94mm) THROAT AND 3.9" (100mm) HEIGHT. THE SLOT DRAIN SHALL BE MANUFACTURED FROM 304 STAINLESS STEEL OR GALVANIZED STEEL PER SPECIFIER'S REQUIREMENT. THE SLOT SHALL HAVE AN L SHAPE AND BE RATED LOAD CLASS C250 PER EN1433 LOAD SPECIFICATION.

CHANNEL SPECIFICATION: CHANNEL BODY SHALL BE 39.4" (1000mm) LONG AND THE NOMINAL CLEAR OPENING SHALL BE 4" (100mm) WITH 6.1" (156mm) OVERALL WIDTH. CHANNELS SHALL BE MANUFACTURED FROM UV STABILIZED 100% RECYCLED POLYPROPYLENE. UNITS SHALL HAVE MALE-TO-FEMALE INTERLOCKING JOINTS THAT WILL NOT SEPARATE DURING THE INSTALLATION. CHANNELS SHALL HAVE A RADIUS SELF CLEANING BOTTOM WITH A MANNING'S COEFFICIENT OF 0.009 AND 1% OR NEUTRAL 0% BUILT IN SLOPE. CHANNELS SHALL WITHSTAND LOAD CLASS C250 AS PER EN1433.

THE COMPLETE DRAINAGE SYSTEM SHALL BE BY VODALAND CANADA INC. ANY DEVIATION OR PARTIAL SYSTEM DESIGN AND/OR IMPROPER INSTALLATION WILL VOID ANY AND ALL WARRANTIES PROVIDED BY VODALAND CANADA INC.

REVISED: 2023

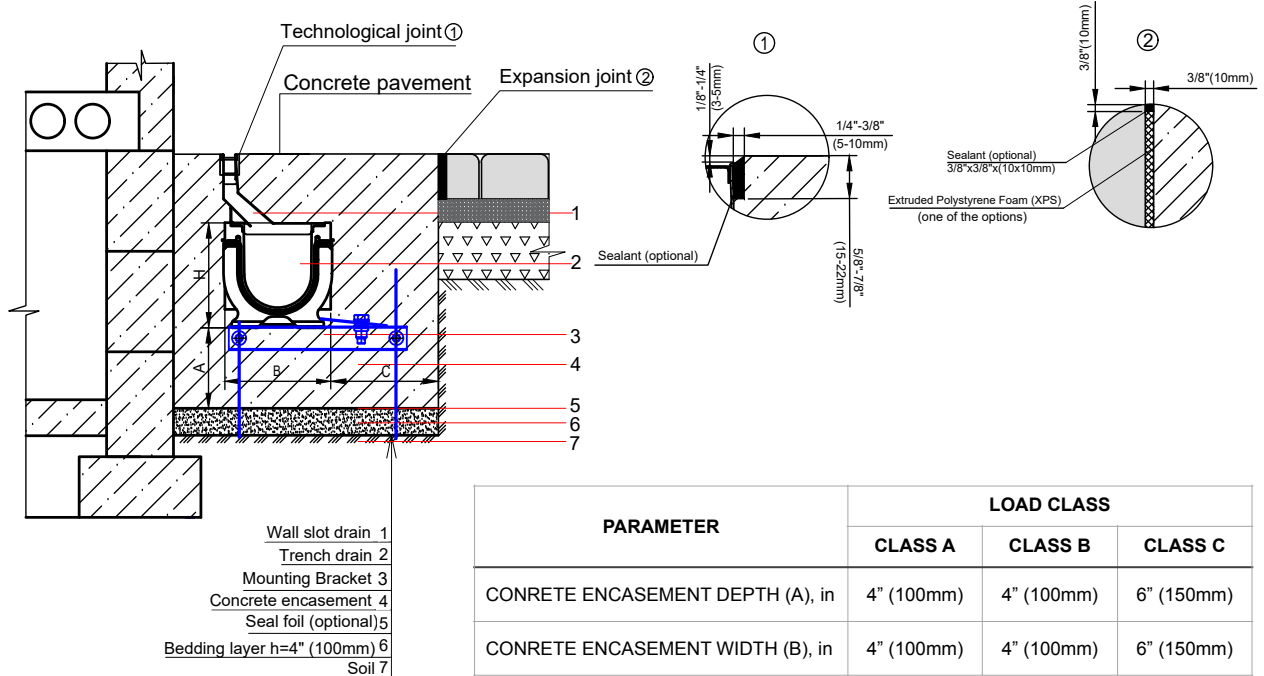
SLOT 100P WALL SYSTEM - LOAD CLASS A15-C250
EXPOSED CONCRETE PAVEMENT INSTALLATION***SLOT DRAIN, WALL*****CHECK AND SPECIFY APPROPRIATE OPTIONS:****SLOT DRAIN AND CAP OPTIONS:**

| | | |
|--------------------------------------|--------------------------------------|----------|
| <input type="checkbox"/> 2017-1L-100 | GALVANIZED STEEL SLOT DRAIN | A15-C250 |
| <input type="checkbox"/> 2097-1L-100 | STAINLESS STEEL SLOT DRAIN | A15-C250 |
| <input type="checkbox"/> 6965 | STAINLESS STEEL CAP (ADA/HEEL-PROOF) | A15-C250 |
| <input type="checkbox"/> 6965-KD | STAINLESS STEEL CAP (RAIN DROP) | A15-C250 |

ADDITIONAL OPTIONS:

| |
|---|
| <input type="checkbox"/> 4" END CAP |
| <input type="checkbox"/> 4" END CAP W/ OUTLET |
| <input type="checkbox"/> 4" INLINE CLEAN-OUT TRAP |
| <input type="checkbox"/> 4" MOUNTING BRACKET |

SLOT 100P WALL SYSTEM - LOAD CLASS A15-C250
 EXPOSED PAVER PAVEMENT INSTALLATION

SLOT DRAIN, WALL

NOTES:

- SPECIFIER IS RESPONSIBLE FOR CONCRETE ENCASEMENT AND REINFORCING BASED UPON APPLICATION AND LOCAL CODES.
- EXPANSION AND CONTRACTION CONTROL JOINTS AND REINFORCEMENT ARE RECOMMENDED TO PROTECT CHANNEL AND CONCRETE SURROUND. ENGINEERING ADVICE MAY BE REQUIRED.
- CONCRETE SHOULD BE VIBRATED TO REMOVE AIR POCKETS.
- THIS INSTALLATION SCHEME IS A RECOMMENDATION. CONSULT WITH THE MANUFACTURER FOR INSTALLATION INSTRUCTIONS.
- THE FINISHED LEVEL OF CONCRETE SURROUND SHOULD BE 1/8" - 3/16" (3-5mm) ABOVE THE TOP OF THE CHANNEL EDGE.

GENERAL: THE SURFACE DRAINAGE SYSTEM SHALL BE VODALAND CANADA SLOT 100P WALL CONSISTING OF SLOT DRAIN COMPONENT AND BASE 100P POLYPROPYLENE PLASTIC CHANNEL BODY AS MANUFACTURED BY VODALAND OR APPROVED EQUAL.

SLOT SPECIFICATION: THE SLOT DRAIN SHALL BE 39.3" (998mm) LONG AND HAVE 0.67" (17mm) WIDE SLOT WITH 3.7" (94mm) THROAT AND 3.9" (100mm) HEIGHT. THE SLOT DRAIN SHALL BE MANUFACTURED FROM 304 STAINLESS STEEL OR GALVANIZED STEEL PER SPECIFIER'S REQUIREMENT. THE SLOT SHALL HAVE AN L SHAPE AND BE RATED LOAD CLASS C250 PER EN1433 LOAD SPECIFICATION.

CHANNEL SPECIFICATION: CHANNEL BODY SHALL BE 39.4" (1000mm) LONG AND THE NOMINAL CLEAR OPENING SHALL BE 4" (100mm) WITH 6.1" (156mm) OVERALL WIDTH. CHANNELS SHALL BE MANUFACTURED FROM UV STABILIZED 100% RECYCLED POLYPROPYLENE. UNITS SHALL HAVE MALE-TO-FEMALE INTERLOCKING JOINTS THAT WILL NOT SEPARATE DURING THE INSTALLATION. CHANNELS SHALL HAVE A RADIUS SELF CLEANING BOTTOM WITH A MANNING'S COEFFICIENT OF 0.009 AND 1% OR NEUTRAL 0% BUILT IN SLOPE. CHANNELS SHALL WITHSTAND LOAD CLASS C250 AS PER EN1433.

THE COMPLETE DRAINAGE SYSTEM SHALL BE BY VODALAND CANADA INC. ANY DEVIATION OR PARTIAL SYSTEM DESIGN AND/OR IMPROPER INSTALLATION WILL VOID ANY AND ALL WARRANTIES PROVIDED BY VODALAND CANADA INC.

REVISED: 2023

SLOT 100P WALL SYSTEM - LOAD CLASS A15-C250
EXPOSED PAVER PAVEMENT INSTALLATION***SLOT DRAIN, WALL*****CHECK AND SPECIFY APPROPRIATE OPTIONS:****SLOT DRAIN AND CAP OPTIONS:**

| | | |
|--------------------------------------|--------------------------------------|----------|
| <input type="checkbox"/> 2017-1L-100 | GALVANIZED STEEL SLOT DRAIN | A15-C250 |
| <input type="checkbox"/> 2097-1L-100 | STAINLESS STEEL SLOT DRAIN | A15-C250 |
| <input type="checkbox"/> 6965 | STAINLESS STEEL CAP (ADA/HEEL-PROOF) | A15-C250 |
| <input type="checkbox"/> 6965-KD | STAINLESS STEEL CAP (RAIN DROP) | A15-C250 |

ADDITIONAL OPTIONS:

| |
|---|
| <input type="checkbox"/> 4" END CAP |
| <input type="checkbox"/> 4" END CAP W/ OUTLET |
| <input type="checkbox"/> 4" INLINE CLEAN-OUT TRAP |
| <input type="checkbox"/> 4" MOUNTING BRACKET |