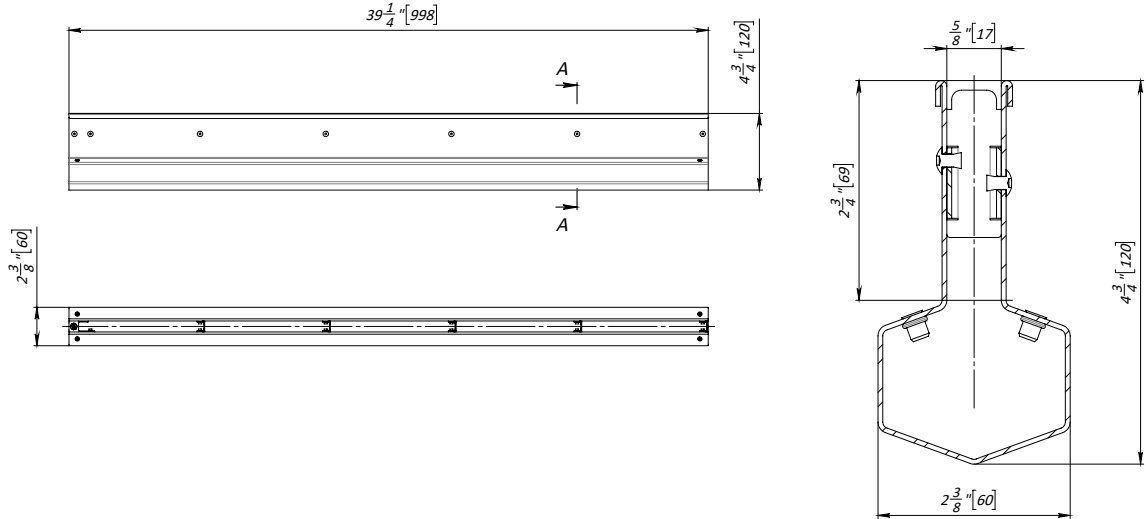


**MINI SLOT SYSTEM - LOAD CLASS C250**

**MINI SLOT STAINLESS STEEL DRAIN**



**General:** The slot drain shall be Vodaland Canada Mini Slot as manufactured by Vodaland or approved equal.

**Specification:** Slot drains shall be 39.4" (1000mm) long and have 0.67" (17mm) wide slot with 2.4" (60mm) throat and 4.75" (120mm) height. Slot drain shall be made of grade 304 16ga. stainless steel. Units shall weigh 8.6 lbs full length and have a smooth, radiused self-cleaning bottom and neutral 0% built in slope. Slot drains shall connect together with mechanical fastening using screw-in connectors. Removable stainless steel grates fabricated from grade 304 steel are available per specifier's request.

**Drainage performance:**

\*Water intake area of 26.3 sq. in. (169.66 cm<sup>2</sup>)

**Mini Slot drain**

| Name                                    | Item # | H, in | H, mm | W, lb |
|---|--------|-------|-------|-------|
| Mini Slot drain (0.5m)                  | 994022 | 4.75  | 120   | 4.4   |
| Mini Slot drain (1m)                    | 994002 | 4.75  | 120   | 8.6   |
| Mini Slot drain w/ bottom outlet (Ø 2") | 994011 | 4.75  | 120   | 1.74  |

**Mini Slot drain grate**

| Name                            | Item # | W, lb |
|---------------------------------|--------|-------|
| Mini slot drain removable grate | 994225 | 0.46  |

**Notes:**

\*For detailed grating and channel drawing refer to Vodaland Canada website or consult with one of our professionals.

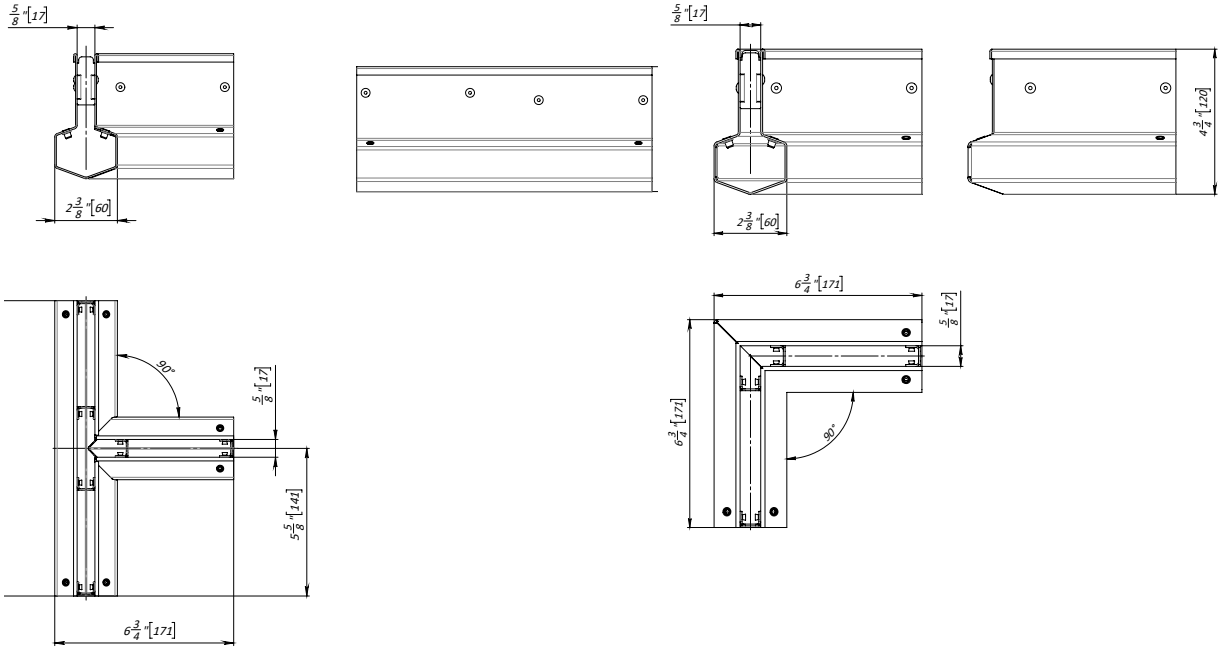
**Flow rate chart, 0.5% slope**

| Name                 | Item # | GPM   | L/s  |
|----------------------|--------|-------|------|
| Mini Slot drain (1m) | 994002 | 12.55 | 0.79 |

REVISED: 2024

**MINI SLOT SYSTEM - LOAD CLASS C250**

**MINI SLOT STAINLESS STEEL DRAIN**

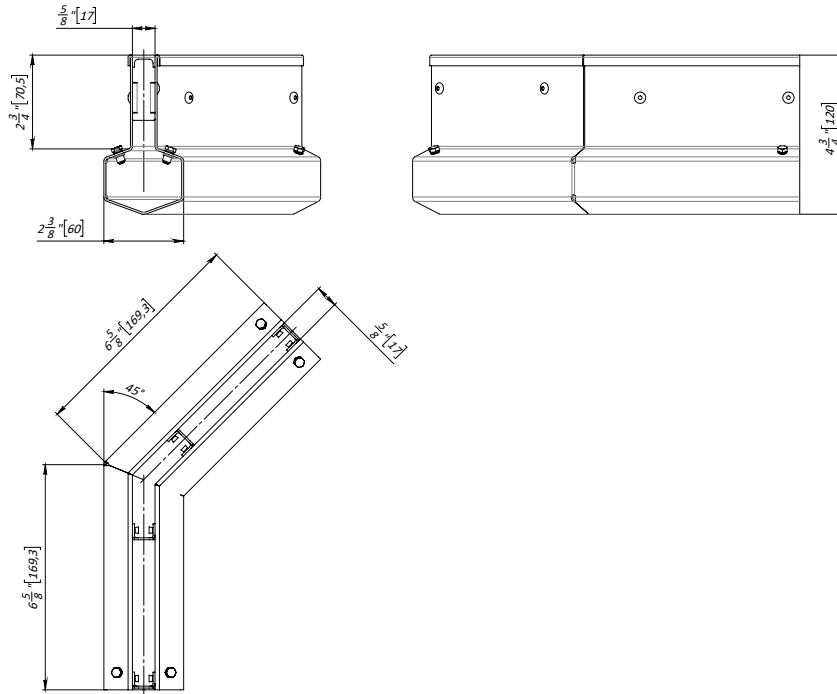


**T&L shaped channels**

| Name                             | Item # | H, in | H, mm | W, lb |
|----------------------------------|--------|-------|-------|-------|
| Mini Slot drain L-shaped channel | 994008 | 4.75  | 120   | 2.2   |
| Mini Slot drain T-shaped channel | 994005 | 4.75  | 120   | 3.1   |

**MINI SLOT SYSTEM - LOAD CLASS C250**

**MINI SLOT STAINLESS STEEL DRAIN**



**45-degree channel**

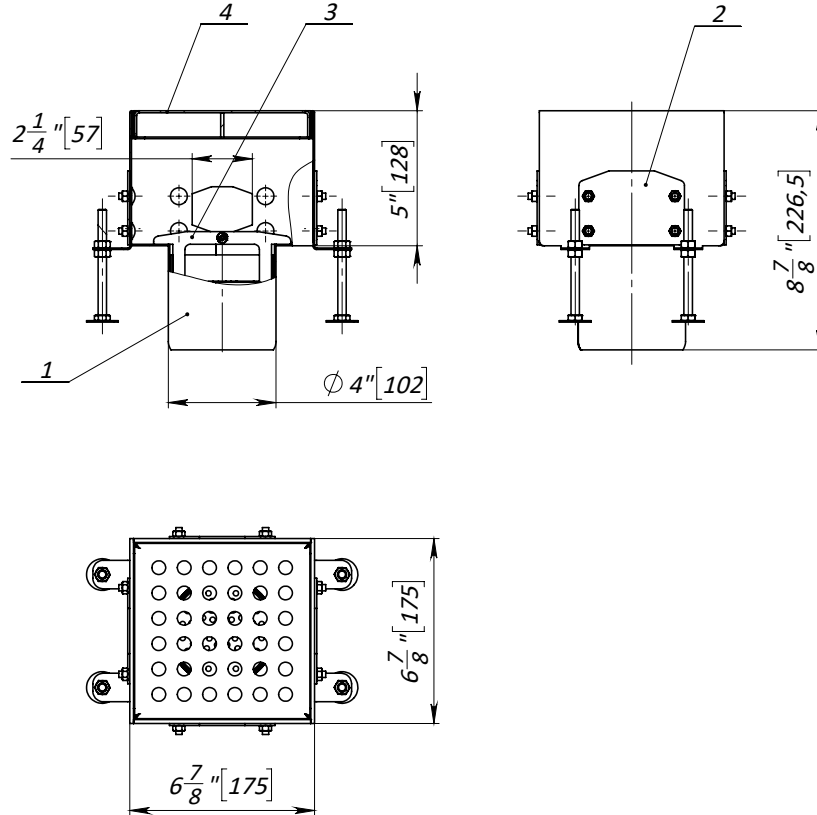
| Name                              | Item # | H, in | H, mm | W, lb |
|-----------------------------------|--------|-------|-------|-------|
| Mini Slot drain 45-degree channel | 994031 | 4.75  | 120   | 2.5   |

**Accessories**

| Name  | Item # | Weight, lbs |
|---|--------|-------------|
| Mini Slot drain channel connector                 | 994203 | 0.3         |
| Mini Slot drain stainless steel end cap           | 994218 | 0.07        |
| Mini Slot drain stainless steel end cap w/ outlet | 994222 | 0.46        |
| Mini Slot drain mounting brackets                 | 994235 | 0.24        |

**MINI SLOT SYSTEM - LOAD CLASS C250**

**MINI SLOT STAINLESS STEEL CATCH BASIN**



**General:** The catch basin shall be Vodaland Canada Mini Slot drain catch basin as manufactured by Vodaland or approved equal.

**Specification:** Catch basin shall be 6.89" (175mm) long and 6.89" (175mm) wide. Catch basin shall be made of grade 304 16ga. stainless steel. Catch basin is equipped with a stainless steel perforated grating and shall withstand a required EN1433 load class. Catch basins offer screw-in channel connections on all 4 sides. Non-used channel openings are sealed with basin caps.

| Name                         | Item #   | H, in | H, mm | L, in | L, mm | W, lb |
|------------------------------|----------|-------|-------|-------|-------|-------|
| Mini Slot catch basin        | 994102-0 | 8.13  | 206.5 | 6.89  | 175   | 4.6   |
| Mini Slot perforated grating | 993010   | 0.98  | 25    | 6.54  | 166   | 1.5   |

**Notes:**

\*Catch basin features a bottom outlet Ø102mm (4")

\*For detailed grating and channel drawing refer to Vodaland Canada website or consult with one of our professionals.