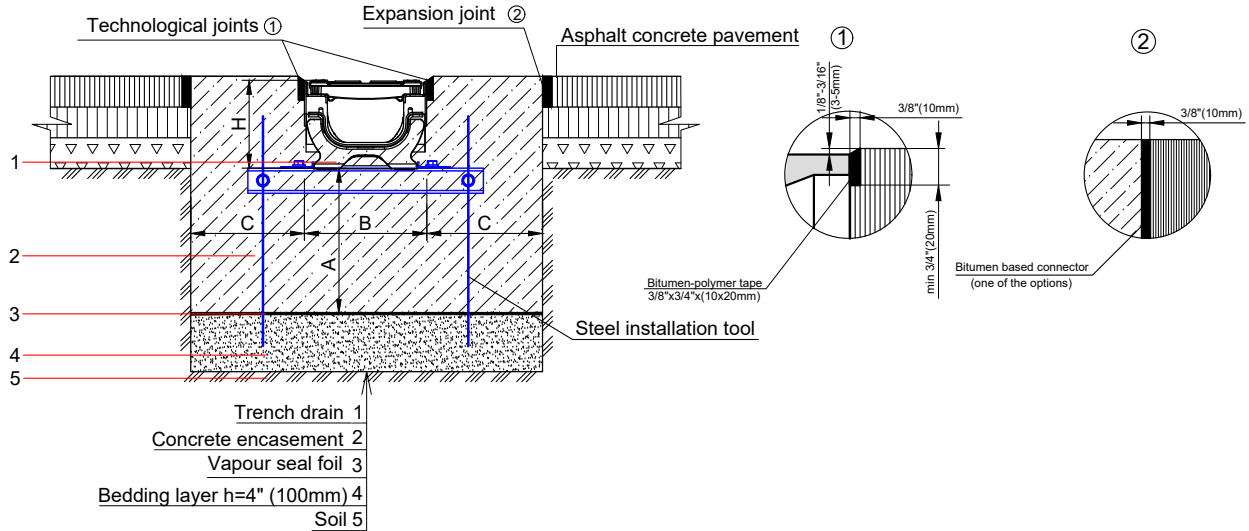


**PRO 100P SYSTEM - LOAD CLASS D400-E600**  
**EXPOSED ASPHALT PAVEMENT INSTALLATION**

**4" (100mm) PRO PLASTIC TRENCH DRAIN**



PARAMETER	LOAD CLASS	
	CLASS D	CLASS E
CONCRETE ENCASEMENT DEPTH (A), in	8" (200mm)	10" (250mm)
CONCRETE ENCASEMENT WIDTH (C), in	8" (200mm)	8" (200mm)

**NOTES:**

- SPECIFIER IS RESPONSIBLE FOR CONCRETE ENCASEMENT AND REINFORCING BASED UPON APPLICATION AND LOCAL CODES.
- EXPANSION AND CONTRACTION CONTROL JOINTS AND REINFORCEMENT ARE RECOMMENDED TO PROTECT CHANNEL AND CONCRETE SURROUND. ENGINEERING ADVICE MAY BE REQUIRED.
- THIS INSTALLATION SCHEME IS A RECOMMENDATION. CONSULT WITH THE MANUFACTURER FOR INSTALLATION INSTRUCTIONS.
- THE FINISHED LEVEL OF CONCRETE SURROUND SHOULD BE 1/8" - 3/16" (3-5mm) ABOVE THE TOP OF THE CHANNEL EDGE.

**GENERAL:** THE TRENCH DRAIN SHALL BE VODALAND CANADA PRO 100P AS MANUFACTURED BY VODALAND OR APPROVED EQUAL.

**SPECIFICATION:** PRO 100P TRENCH DRAIN SHALL BE 39.4" (1000mm) LONG AND THE NOMINAL CLEAR OPENING SHALL BE 4" (100mm) WITH 6.3" (160mm) OVERALL WIDTH. CHANNELS SHALL BE MANUFACTURED FROM UV STABILIZED 100% RECYCLED POLYPROPYLENE. UNITS SHALL HAVE MALE-TO-FEMALE INTERLOCKING JOINTS THAT WILL NOT SEPARATE DURING THE INSTALLATION. CHANNELS SHALL HAVE A RADIUS SELF CLEANING BOTTOM WITH A MANNING'S COEFFICIENT OF 0.009 AND BUILT IN SLOPE OF 1% OR NEUTRAL 0% AS PER SPECIFIER'S REQUIREMENTS. GRATINGS SHALL BE DUCTILE CAST IRON AND MEET THE SYSTEM LOAD CLASS SPECIFIED. CHANNELS SHALL BE EQUIPPED WITH GALVANIZED STEEL EDGE RAILS. CHANNELS AND GRATINGS SHALL WITHSTAND A REQUIRED EN1433 LOAD CLASS.

THE COMPLETE DRAINAGE SYSTEM SHALL BE BY VODALAND CANADA INC. ANY DEVIATION OR PARTIAL SYSTEM DESIGN AND/OR IMPROPER INSTALLATION WILL VOID ANY AND ALL WARRANTIES PROVIDED BY VODALAND CANADA INC.

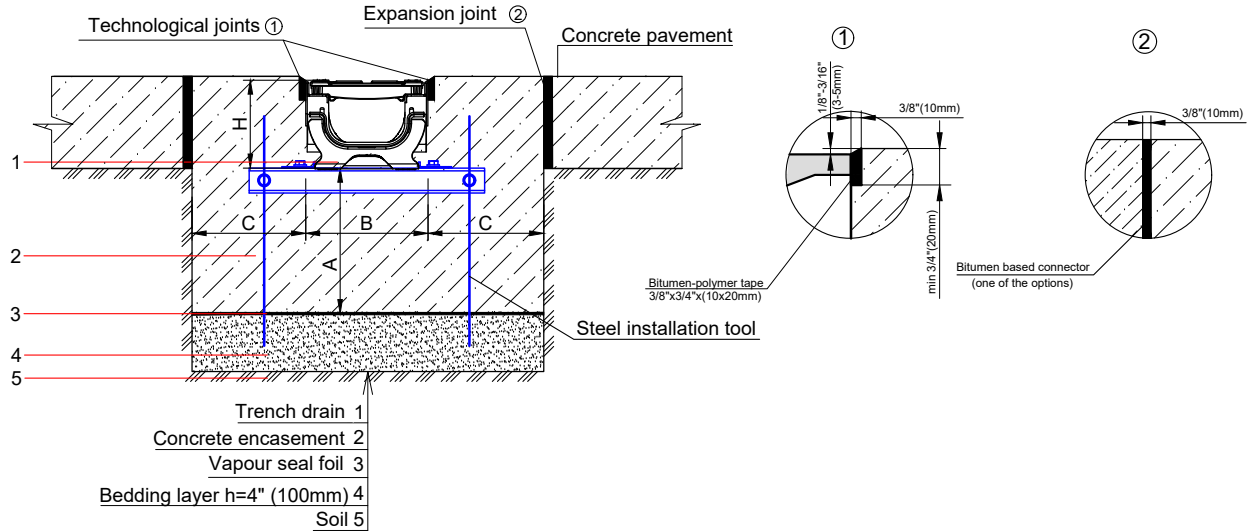
**REVISED: 2023**

**PRO 100P SYSTEM - LOAD CLASS D400-E600**  
EXPOSED ASPHALT PAVEMENT INSTALLATION**4" (100mm) PRO PLASTIC TRENCH DRAIN****CHECK AND SPECIFY APPROPRIATE OPTIONS:****INLINE CATCH BASIN AND ACCESSORIES:**

- 4" END CAP
- 4" END CAP WITH OUTLET
- 4" MOUNTING BRACKETS
- PRO 100P INLINE CATCH BASIN

**PRO 100P SYSTEM - LOAD CLASS D400-E600**  
**EXPOSED CONCRETE PAVEMENT INSTALLATION**

**4" (100mm) PRO PLASTIC TRENCH DRAIN**



PARAMETER	LOAD CLASS	
	CLASS D	CLASS E
CONCRETE ENCASEMENT DEPTH (A), in	8" (200mm)	10" (250mm)
CONCRETE ENCASEMENT WIDTH (C), in	8" (200mm)	8" (200mm)

**NOTES:**

- SPECIFIER IS RESPONSIBLE FOR CONCRETE ENCASEMENT AND REINFORCING BASED UPON APPLICATION AND LOCAL CODES.
- EXPANSION AND CONTRACTION CONTROL JOINTS AND REINFORCEMENT ARE RECOMMENDED TO PROTECT CHANNEL AND CONCRETE SURROUND. ENGINEERING ADVICE MAY BE REQUIRED.
- THIS INSTALLATION SCHEME IS A RECOMMENDATION. CONSULT WITH THE MANUFACTURER FOR INSTALLATION INSTRUCTIONS.
- THE FINISHED LEVEL OF CONCRETE SURROUND SHOULD BE 1/8" - 3/16" (3-5mm) ABOVE THE TOP OF THE CHANNEL EDGE.

**GENERAL:** THE TRENCH DRAIN SHALL BE VODALAND CANADA PRO 100P AS MANUFACTURED BY VODALAND OR APPROVED EQUAL.

**SPECIFICATION:** PRO 100P TRENCH DRAIN SHALL BE 39.4" (1000mm) LONG AND THE NOMINAL CLEAR OPENING SHALL BE 4" (100mm) WITH 6.3" (160mm) OVERALL WIDTH. CHANNELS SHALL BE MANUFACTURED FROM UV STABILIZED 100% RECYCLED POLYPROPYLENE. UNITS SHALL HAVE MALE-TO-FEMALE INTERLOCKING JOINTS THAT WILL NOT SEPARATE DURING THE INSTALLATION. CHANNELS SHALL HAVE A RADIUS SELF CLEANING BOTTOM WITH A MANNING'S COEFFICIENT OF 0.009 AND BUILT IN SLOPE OF 1% OR NEUTRAL 0% AS PER SPECIFIER'S REQUIREMENTS. GRATINGS SHALL BE DUCTILE CAST IRON AND MEET THE SYSTEM LOAD CLASS SPECIFIED. CHANNELS SHALL BE EQUIPPED WITH GALVANIZED STEEL EDGE RAILS. CHANNELS AND GRATES SHALL WITHSTAND A REQUIRED EN1433 LOAD CLASS.

THE COMPLETE DRAINAGE SYSTEM SHALL BE BY VODALAND CANADA INC. ANY DEVIATION OR PARTIAL SYSTEM DESIGN AND/OR IMPROPER INSTALLATION WILL VOID ANY AND ALL WARRANTIES PROVIDED BY VODALAND CANADA INC.

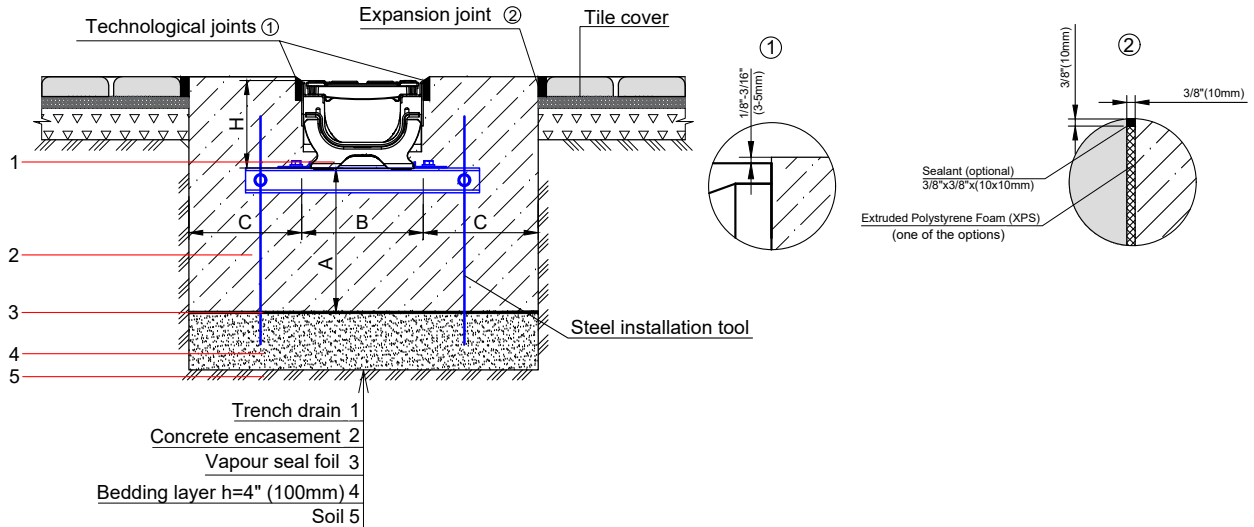
**REVISED: 2023**

**PRO 100P SYSTEM - LOAD CLASS D400-E600**  
EXPOSED CONCRETE PAVEMENT INSTALLATION**4" (100mm) PRO PLASTIC TRENCH DRAIN****CHECK AND SPECIFY APPROPRIATE OPTIONS:****INLINE CATCH BASIN AND ACCESSORIES:**

- 4" END CAP
- 4" END CAP WITH OUTLET
- 4" MOUNTING BRACKETS
- PRO 100P INLINE CATCH BASIN

**PRO 100P SYSTEM - LOAD CLASS D400-E600**  
 EXPOSED PAVER PAVEMENT INSTALLATION

**4" (100mm) PRO PLASTIC TRENCH DRAIN**



PARAMETER	LOAD CLASS	
	CLASS D	CLASS E
CONCRETE ENCASEMENT DEPTH (A), in	8" (200mm)	10" (250mm)
CONCRETE ENCASEMENT WIDTH (C), in	8" (200mm)	8" (200mm)

**NOTES:**

1. SPECIFIER IS RESPONSIBLE FOR CONCRETE ENCASEMENT AND REINFORCING BASED UPON APPLICATION AND LOCAL CODES.
2. EXPANSION AND CONTRACTION CONTROL JOINTS AND REINFORCEMENT ARE RECOMMENDED TO PROTECT CHANNEL AND CONCRETE SURROUND. ENGINEERING ADVICE MAY BE REQUIRED.
3. THIS INSTALLATION SCHEME IS A RECOMMENDATION. CONSULT WITH THE MANUFACTURER FOR INSTALLATION INSTRUCTIONS.
4. THE FINISHED LEVEL OF CONCRETE SURROUND SHOULD BE 1/8" - 3/16" (3-5mm) ABOVE THE TOP OF THE CHANNEL EDGE.

**GENERAL:** THE TRENCH DRAIN SHALL BE VODALAND CANADA PRO 100P AS MANUFACTURED BY VODALAND OR APPROVED EQUAL.

**SPECIFICATION:** PRO 100P TRENCH DRAIN SHALL BE 39.4" (1000mm) LONG AND THE NOMINAL CLEAR OPENING SHALL BE 4" (100mm) WITH 6.3" (160mm) OVERALL WIDTH. CHANNELS SHALL BE MANUFACTURED FROM UV STABILIZED 100% RECYCLED POLYPROPYLENE. UNITS SHALL HAVE MALE-TO-FEMALE INTERLOCKING JOINTS THAT WILL NOT SEPARATE DURING THE INSTALLATION. CHANNELS SHALL HAVE A RADIUSED SELF CLEANING BOTTOM WITH A MANNING'S COEFFICIENT OF 0.009 AND BUILT IN SLOPE OF 1% OR NEUTRAL 0% AS PER SPECIFIER'S REQUIREMENTS. GRATINGS SHALL BE DUCTILE CAST IRON AND MEET THE SYSTEM LOAD CLASS SPECIFIED. CHANNELS SHALL BE EQUIPPED WITH GALVANIZED STEEL EDGE RAILS. CHANNELS AND GRATINGS SHALL WITHSTAND A REQUIRED EN1433 LOAD CLASS.

THE COMPLETE DRAINAGE SYSTEM SHALL BE BY VODALAND CANADA INC. ANY DEVIATION OR PARTIAL SYSTEM DESIGN AND/OR IMPROPER INSTALLATION WILL VOID ANY AND ALL WARRANTIES PROVIDED BY VODALAND CANADA INC.

**REVISED: 2023**

**PRO 100P SYSTEM - LOAD CLASS D400-E600**  
EXPOSED PAVER PAVEMENT INSTALLATION**4" (100mm) PRO PLASTIC TRENCH DRAIN****CHECK AND SPECIFY APPROPRIATE OPTIONS:****INLINE CATCH BASIN AND ACCESSORIES:**

- 4" END CAP
- 4" END CAP WITH OUTLET
- 4" MOUNTING BRACKETS
- PRO 100P INLINE CATCH BASIN