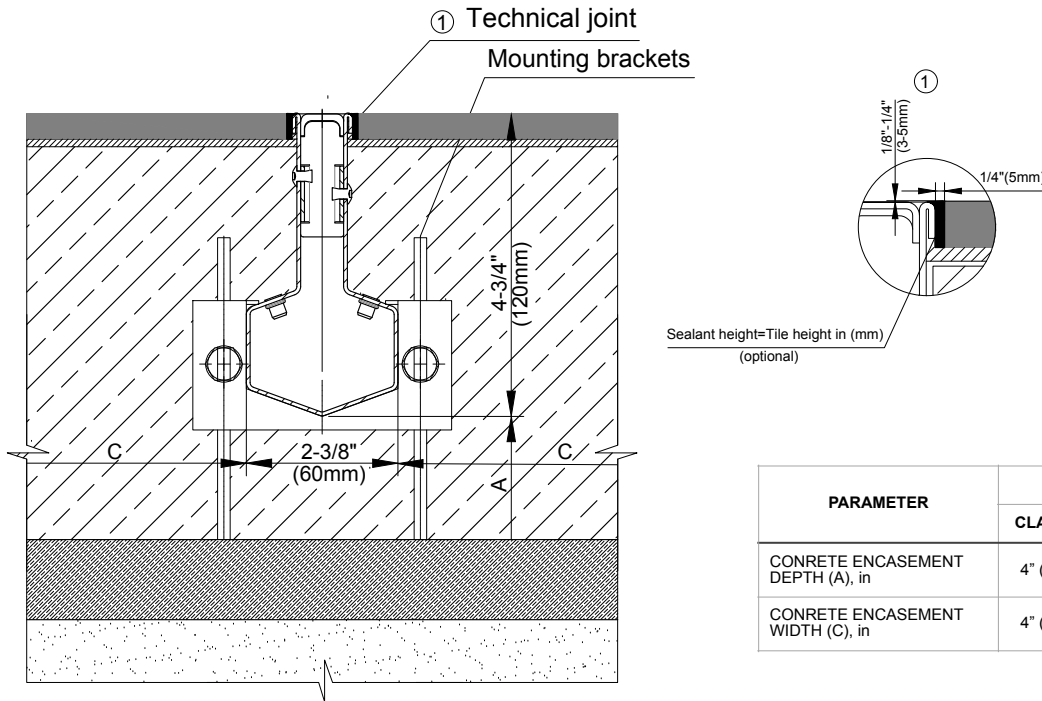


MINI SLOT SYSTEM - LOAD CLASS C250
ENCLOSED TILE PAVEMENT INSTALLATION

MINI SLOT STAINLESS STEEL TRENCH DRAIN



PARAMETER	LOAD CLASS	
	CLASS A , B	CLASS C
CONCRETE ENCASEMENT DEPTH (A), in	4" (100mm)	6" (150mm)
CONCRETE ENCASEMENT WIDTH (C), in	4" (100mm)	6" (150mm)

NOTES:

1. SPECIFIER IS RESPONSIBLE FOR CONCRETE ENCASEMENT AND REINFORCING BASED UPON APPLICATION AND LOCAL CODES.
2. EXPANSION AND CONTRACTION CONTROL JOINTS AND REINFORCEMENT ARE RECOMMENDED TO PROTECT CHANNEL AND CONCRETE SURROUND. ENGINEERING ADVICE MAY BE REQUIRED.
3. CONCRETE SHOULD BE VIBRATED TO REMOVE AIR POCKETS.
4. THIS INSTALLATION SCHEME IS A RECOMMENDATION. CONSULT WITH THE MANUFACTURER FOR INSTALLATION INSTRUCTIONS.
5. THE FINISHED LEVEL OF CONCRETE SURROUND SHOULD BE 1/8" - 3/16" (3-5mm) ABOVE THE TOP OF THE CHANNEL EDGE.
6. CAN BE INSTALLED IN EXISTING CONCRETE SLAB. ENGINEERING ADVICE MAY BE REQUIRED.

GENERAL: THE TRENCH DRAIN SHALL BE VODALAND CANADA MINI SLOT AS MANUFACTURED BY VODALAND OR APPROVED EQUAL.

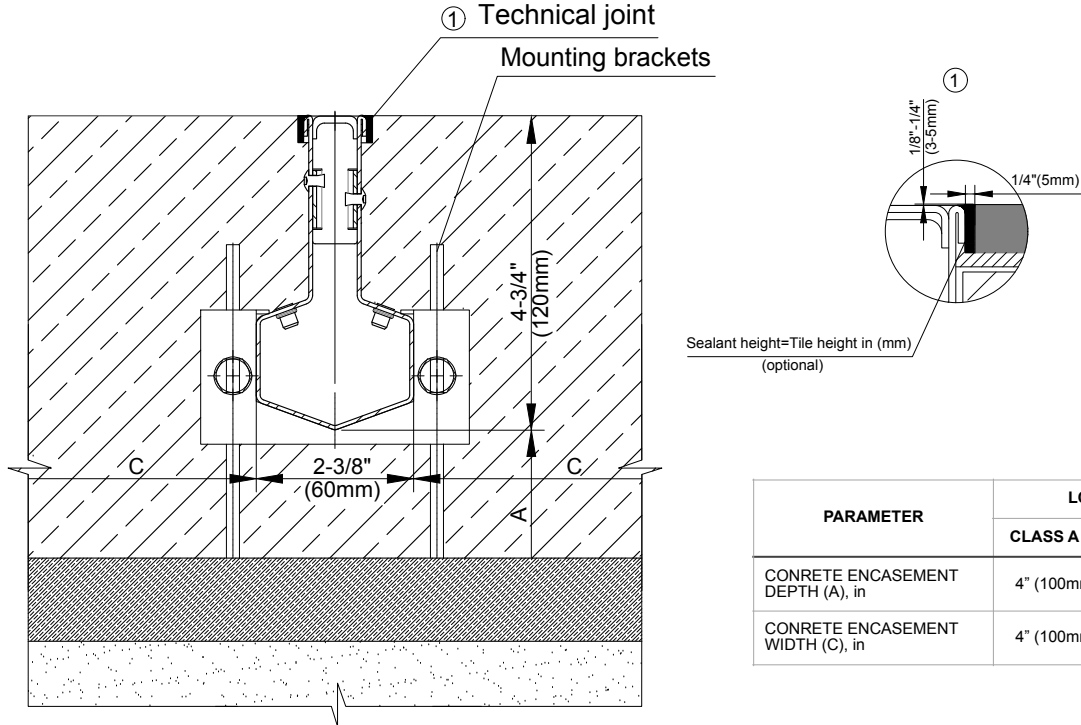
SPECIFICATION: CHANNELS SHALL BE 39.4" (998mm) LONG AND 0.67" (17mm) WIDE SLOT WITH 2.4" (60mm) THROAT AND 4.75" (120mm) HEIGHT. CHANNELS SHALL BE MADE OF GRADE 304 16GA STAINLESS STEEL. MINI SLOT TRENCH DRAIN SHALL WEIGH 7.6 LBS FULL LENGTH AND HAVE A SMOOTH, RADIUSSED SELF-CLEANING BOTTOM AND NEUTRAL 0% BUILT IN SLOPE. CHANNELS SHALL CONNECT AND INTERLOCK WITH MINI SLOT CONNECTORS. REMOVABLE STAINLESS STEEL GRATES FABRICATED FROM GRADE 304 STEEL ARE AVAILABLE PER SPECIFIER'S REQUEST.

THE COMPLETE DRAINAGE SYSTEM SHALL BE BY VODALAND CANADA INC. ANY DEVIATION OR PARTIAL SYSTEM DESIGN AND/OR IMPROPER INSTALLATION WILL VOID ANY AND ALL WARRANTIES PROVIDED BY VODALAND CANADA INC.

REVISED: 2024

MINI SLOT SYSTEM - LOAD CLASS C250
EXPOSED CONCRETE PAVEMENT INSTALLATION

MINI SLOT STAINLESS STEEL TRENCH DRAIN



PARAMETER	LOAD CLASS	
	CLASS A , B	CLASS C
CONCRETE ENCASEMENT DEPTH (A), in	4" (100mm)	6" (150mm)
CONCRETE ENCASEMENT WIDTH (C), in	4" (100mm)	6" (150mm)

NOTES:

1. SPECIFIER IS RESPONSIBLE FOR CONCRETE ENCASEMENT AND REINFORCING BASED UPON APPLICATION AND LOCAL CODES.
2. EXPANSION AND CONTRACTION CONTROL JOINTS AND REINFORCEMENT ARE RECOMMENDED TO PROTECT CHANNEL AND CONCRETE SURROUND. ENGINEERING ADVICE MAY BE REQUIRED.
3. CONCRETE SHOULD BE VIBRATED TO REMOVE AIR POCKETS.
4. THIS INSTALLATION SCHEME IS A RECOMMENDATION. CONSULT WITH THE MANUFACTURER FOR INSTALLATION INSTRUCTIONS.
5. THE FINISHED LEVEL OF CONCRETE SURROUND SHOULD BE 1/8" - 3/16" (3-5mm) ABOVE THE TOP OF THE CHANNEL EDGE.
6. CAN BE INSTALLED IN EXISTING CONCRETE SLAB. ENGINEERING ADVICE MAY BE REQUIRED.

GENERAL: THE TRENCH DRAIN SHALL BE VODALAND CANADA MINI SLOT AS MANUFACTURED BY VODALAND OR APPROVED EQUAL.

SPECIFICATION: CHANNELS SHALL BE 39.4" (998mm) LONG AND 0.67" (17mm) WIDE SLOT WITH 2.4" (60mm) THROAT AND 4.75" (120mm) HEIGHT. CHANNELS SHALL BE MADE OF GRADE 304 16GA STAINLESS STEEL. MINI SLOT TRENCH DRAIN SHALL WEIGH 7.6 LBS FULL LENGTH AND HAVE A SMOOTH, RADIUSSED SELF-CLEANING BOTTOM AND NEUTRAL 0% BUILT IN SLOPE. CHANNELS SHALL CONNECT AND INTERLOCK WITH MINI SLOT CONNECTORS. REMOVABLE STAINLESS STEEL STEEL GRATES FABRICATED FROM GRADE 304 STEEL ARE AVAILABLE PER SPECIFIER'S REQUEST.

THE COMPLETE DRAINAGE SYSTEM SHALL BE BY VODALAND CANADA INC. ANY DEVIATION OR PARTIAL SYSTEM DESIGN AND/OR IMPROPER INSTALLATION WILL VOID ANY AND ALL WARRANTIES PROVIDED BY VODALAND CANADA INC.