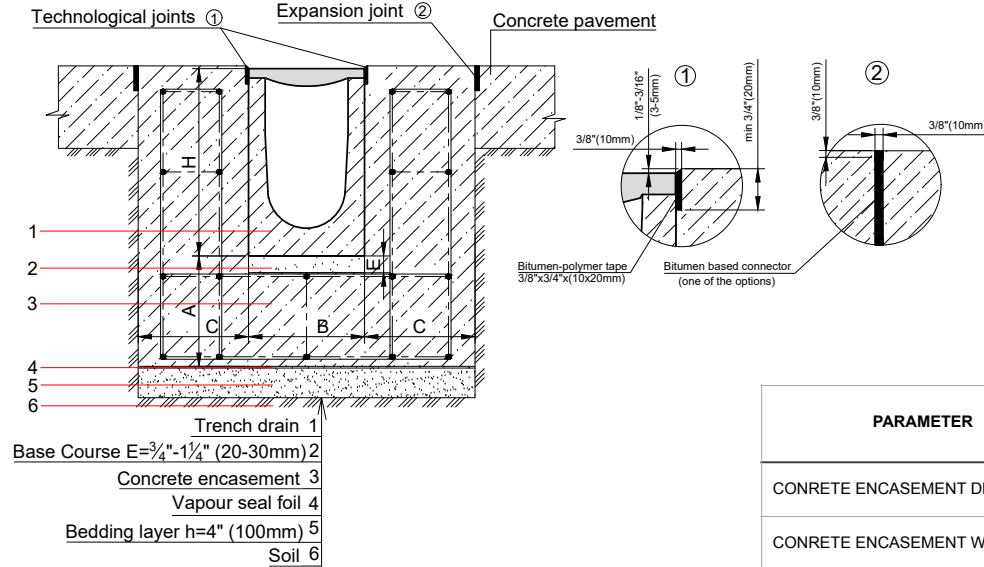


MEGA 300FC SYSTEM - LOAD CLASS F900
EXPOSED CONCRETE PAVEMENT INSTALLATION

12" (300mm) MEGA FIBER REINFORCED CONCRETE TRENCH DRAIN



NOTES:

- SPECIFIER IS RESPONSIBLE FOR CONCRETE ENCASEMENT AND REINFORCING BASED UPON APPLICATION AND LOCAL CODES.
- EXPANSION AND CONTRACTION CONTROL JOINTS AND REINFORCEMENT ARE RECOMMENDED TO PROTECT CHANNEL AND CONCRETE SURROUND. ENGINEERING ADVICE MAY BE REQUIRED.
- THIS INSTALLATION SCHEME IS A RECOMMENDATION. CONSULT WITH THE MANUFACTURER FOR INSTALLATION INSTRUCTIONS.
- THE FINISHED LEVEL OF CONCRETE SURROUND SHOULD BE 1/8" - 3/16" (3-5mm) ABOVE THE TOP OF THE CHANNEL EDGE.

GENERAL: THE TRENCH DRAIN SHALL BE VODALAND CANADA MEGA 300FC AS MANUFACTURED BY VODALAND OR APPROVED EQUAL.

SPECIFICATION: CHANNELS SHALL BE 39.4" (1000mm) LONG AND THE NOMINAL CLEAR OPENING SHALL BE 12" (300mm) WITH 15.2" (385mm) OVERALL WIDTH AND BUILT-IN SLOPE OF 0.5% OR 1% PER SPECIFIER'S REQUIREMENTS. CHANNELS SHALL HAVE MALE-TO-FEMALE INTERLOCKING JOINTS. GRATINGS SHALL BE DUCTILE CAST IRON FASTENED TO STEEL EDGE RAILS AND MEET THE SYSTEM LOAD CLASS SPECIFIED. CHANNELS AND GRATE SHALL WITHSTAND A REQUIRED EN1433 LOAD CLASS.

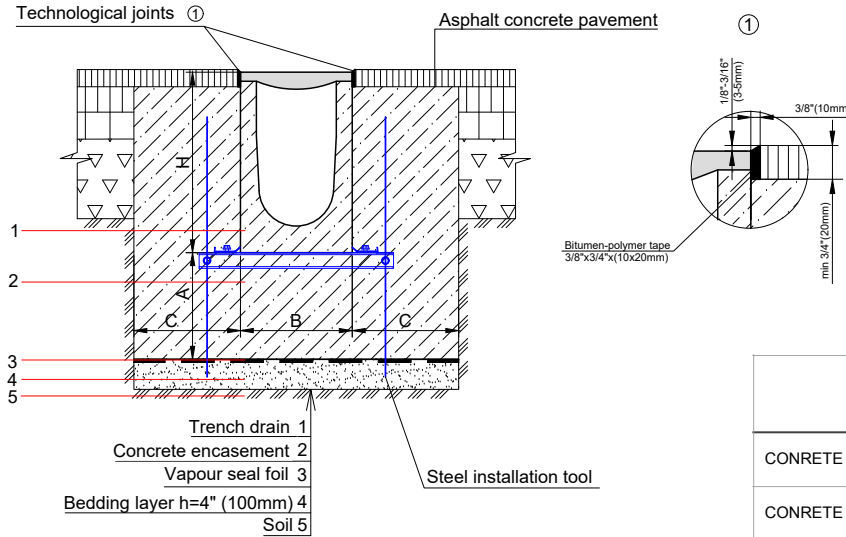
MATERIALS: MEGA 300FC TRENCH DRAIN SHALL BE MANUFACTURED FROM FIBER CONCRETE WITH THE FOLLOWING PROPERTIES:

COMPRESSIVE STRENGTH	> 45 MPA
FLEXURAL STRENGTH	> 20 MPA
FROST RESISTANT	YES
NON FLAMMABLE	YES
UV RESISTANT	YES
RECYCLABLE 100%	YES
DILUTE ACID AND ALKALI RESISTANT:	YES
MATERIAL FREE OF VOC, BIOCIDES, HEAVY METALS	YES
WATER ABSORPTION IS SUFFICIENT FOR ADHESION WITH CONCRETE SURFACES	YES

THE COMPLETE DRAINAGE SYSTEM SHALL BE BY VODALAND CANADA INC. ANY DEVIATION OR PARTIAL SYSTEM DESIGN AND/OR IMPROPER INSTALLATION WILL VOID ANY AND ALL WARRANTIES PROVIDED BY VODALAND CANADA INC.

MEGA 300FC SYSTEM - LOAD CLASS E600
ENCLOSED ASPHALT PAVEMENT INSTALLATION

12" (300mm) MEGA FIBER REINFORCED CONCRETE TRENCH DRAIN



PARAMETER	LOAD CLASS
	CLASS E
CONCRETE ENCASEMENT DEPTH (A), in	10" (250mm)
CONCRETE ENCASEMENT WIDTH (C), in	8" (200mm)

NOTES:

1. SPECIFIER IS RESPONSIBLE FOR CONCRETE ENCASEMENT AND REINFORCING BASED UPON APPLICATION AND LOCAL CODES.
2. EXPANSION AND CONTRACTION CONTROL JOINTS AND REINFORCEMENT ARE RECOMMENDED TO PROTECT CHANNEL AND CONCRETE SURROUND. ENGINEERING ADVICE MAY BE REQUIRED.
3. THIS INSTALLATION SCHEME IS A RECOMMENDATION. CONSULT WITH THE MANUFACTURER FOR INSTALLATION INSTRUCTIONS.
4. THE FINISHED LEVEL OF CONCRETE SURROUND SHOULD BE 1/8" - 3/16" (3-5mm) ABOVE THE TOP OF THE CHANNEL EDGE.

GENERAL: THE TRENCH DRAIN SHALL BE VODALAND CANADA MEGA 300FC AS MANUFACTURED BY VODALAND OR APPROVED EQUAL.

SPECIFICATION: CHANNELS SHALL BE 39.4" (1000mm) LONG AND THE NOMINAL CLEAR OPENING SHALL BE 12" (300mm) WITH 15.2" (385mm) OVERALL WIDTH AND BUILT-IN SLOPE OF 0.5% OR 1% PER SPECIFIER'S REQUIREMENTS. CHANNELS SHALL HAVE MALE-TO-FEMALE INTERLOCKING JOINTS. GRATINGS SHALL BE DUCTILE CAST IRON FASTENED TO STEEL EDGE RAILS AND MEET THE SYSTEM LOAD CLASS SPECIFIED. CHANNELS AND GRATE SHALL WITHSTAND A REQUIRED EN1433 LOAD CLASS.

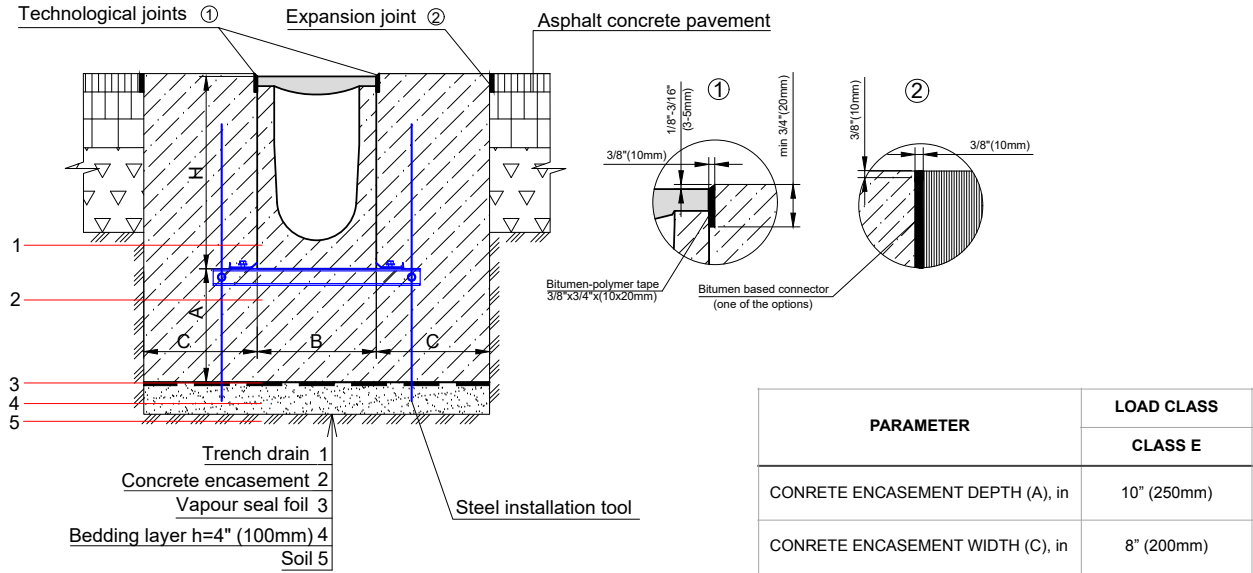
MATERIALS: MEGA 300FC TRENCH DRAIN SHALL BE MANUFACTURED FROM FIBER CONCRETE WITH THE FOLLOWING PROPERTIES:

COMPRESSIVE STRENGTH	> 45 MPA
FLEXURAL STRENGTH	> 20 MPA
FROST RESISTANT	YES
NON FLAMMABLE	YES
UV RESISTANT	YES
RECYCLABLE 100%	YES
DILUTE ACID AND ALKALI RESISTANT:	YES
MATERIAL FREE OF VOC, BIOCIDES, HEAVY METALS	YES
WATER ABSORPTION IS SUFFICIENT FOR ADHESION WITH CONCRETE SURFACES	YES

THE COMPLETE DRAINAGE SYSTEM SHALL BE BY VODALAND CANADA INC. ANY DEVIATION OR PARTIAL SYSTEM DESIGN AND/OR IMPROPER INSTALLATION WILL VOID ANY AND ALL WARRANTIES PROVIDED BY VODALAND CANADA INC.

MEGA 300FC SYSTEM - LOAD CLASS E600
EXPOSED ASPHALT PAVEMENT INSTALLATION

12" (300mm) MEGA FIBER REINFORCED CONCRETE TRENCH DRAIN



NOTES:

1. SPECIFIER IS RESPONSIBLE FOR CONCRETE ENCASEMENT AND REINFORCING BASED UPON APPLICATION AND LOCAL CODES.
2. EXPANSION AND CONTRACTION CONTROL JOINTS AND REINFORCEMENT ARE RECOMMENDED TO PROTECT CHANNEL AND CONCRETE SURROUND. ENGINEERING ADVICE MAY BE REQUIRED.
3. THIS INSTALLATION SCHEME IS A RECOMMENDATION. CONSULT WITH THE MANUFACTURER FOR INSTALLATION INSTRUCTIONS.
4. THE FINISHED LEVEL OF CONCRETE SURROUND SHOULD BE 1/8" - 3/16" (3-5mm) ABOVE THE TOP OF THE CHANNEL EDGE.

GENERAL: THE TRENCH DRAIN SHALL BE VODALAND CANADA MEGA 300FC AS MANUFACTURED BY VODALAND OR APPROVED EQUAL.

SPECIFICATION: CHANNELS SHALL BE 39.4" (1000mm) LONG AND THE NOMINAL CLEAR OPENING SHALL BE 12" (300mm) WITH 15.2" (385mm) OVERALL WIDTH AND BUILT-IN SLOPE OF 0.5% OR 1% PER SPECIFIER'S REQUIREMENTS. CHANNELS SHALL HAVE MALE-TO-FEMALE INTERLOCKING JOINTS. GRATINGS SHALL BE DUCTILE CAST IRON FASTENED TO STEEL EDGE RAILS AND MEET THE SYSTEM LOAD CLASS SPECIFIED. CHANNELS AND GRATE SHALL WITHSTAND A REQUIRED EN1433 LOAD CLASS.

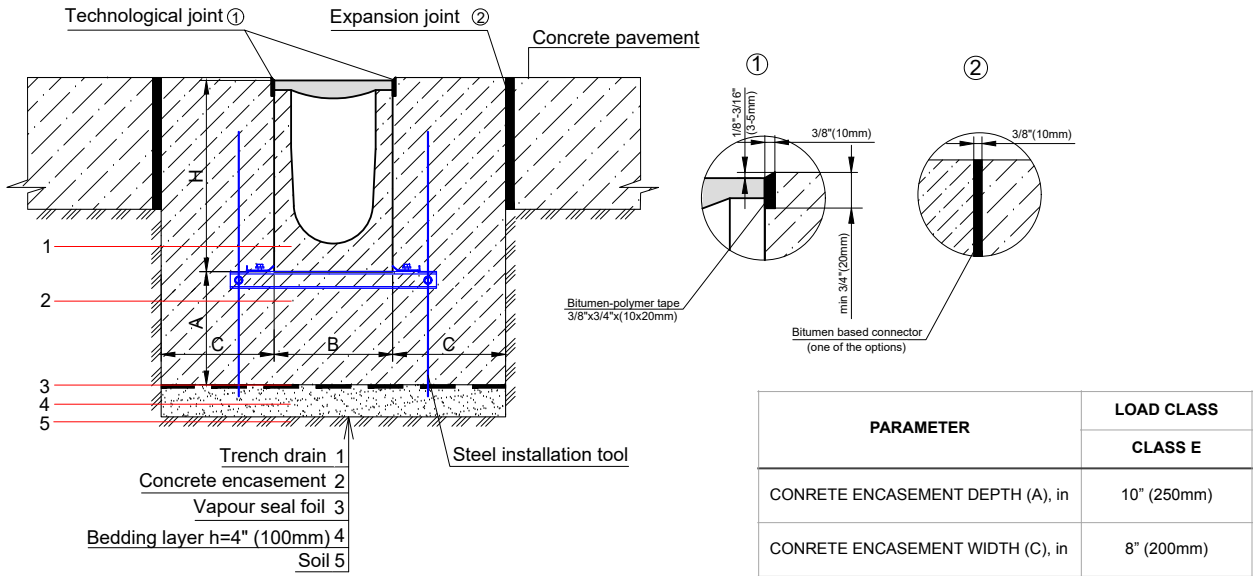
MATERIALS: MEGA 300FC TRENCH DRAIN SHALL BE MANUFACTURED FROM FIBER CONCRETE WITH THE FOLLOWING PROPERTIES:

COMPRESSIVE STRENGTH	> 45 MPA
FLEXURAL STRENGTH	> 20 MPA
FROST RESISTANT	YES
NON FLAMMABLE	YES
UV RESISTANT	YES
RECYCLABLE 100%	YES
DILUTE ACID AND ALKALI RESISTANT:	YES
MATERIAL FREE OF VOC, BIOCIDES, HEAVY METALS	YES
WATER ABSORPTION IS SUFFICIENT FOR ADHESION WITH CONCRETE SURFACES	YES

THE COMPLETE DRAINAGE SYSTEM SHALL BE BY VODALAND CANADA INC. ANY DEVIATION OR PARTIAL SYSTEM DESIGN AND/OR IMPROPER INSTALLATION WILL VOID ANY AND ALL WARRANTIES PROVIDED BY VODALAND CANADA INC.

MEGA 300FC SYSTEM - LOAD CLASS E600
EXPOSED CONCRETE PAVEMENT INSTALLATION

12" (300mm) MEGA FIBER REINFORCED CONCRETE TRENCH DRAIN



NOTES:

1. SPECIFIER IS RESPONSIBLE FOR CONCRETE ENCASEMENT AND REINFORCING BASED UPON APPLICATION AND LOCAL CODES.
2. EXPANSION AND CONTRACTION CONTROL JOINTS AND REINFORCEMENT ARE RECOMMENDED TO PROTECT CHANNEL AND CONCRETE SURROUND. ENGINEERING ADVICE MAY BE REQUIRED.
3. THIS INSTALLATION SCHEME IS A RECOMMENDATION. CONSULT WITH THE MANUFACTURER FOR INSTALLATION INSTRUCTIONS.
4. THE FINISHED LEVEL OF CONCRETE SURROUND SHOULD BE 1/8" - 3/16" (3-5mm) ABOVE THE TOP OF THE CHANNEL EDGE.

GENERAL: THE TRENCH DRAIN SHALL BE VODALAND CANADA MEGA 300FC AS MANUFACTURED BY VODALAND OR APPROVED EQUAL.

SPECIFICATION: CHANNELS SHALL BE 39.4" (1000mm) LONG AND THE NOMINAL CLEAR OPENING SHALL BE 12" (300mm) WITH 15.2" (385mm) OVERALL WIDTH AND BUILT-IN SLOPE OF 0.5% OR 1% PER SPECIFIER'S REQUIREMENTS. CHANNELS SHALL HAVE MALE-TO-FEMALE INTERLOCKING JOINTS. GRATINGS SHALL BE DUCTILE CAST IRON FASTENED TO STEEL EDGE RAILS AND MEET THE SYSTEM LOAD CLASS SPECIFIED. CHANNELS AND GRATE SHALL WITHSTAND A REQUIRED EN1433 LOAD CLASS.

MATERIALS: MEGA 300FC TRENCH DRAIN SHALL BE MANUFACTURED FROM FIBER CONCRETE WITH THE FOLLOWING PROPERTIES:

COMPRESSIVE STRENGTH	> 45 MPA
FLEXURAL STRENGTH	> 20 MPA
FROST RESISTANT	YES
NON FLAMMABLE	YES
UV RESISTANT	YES
RECYCLABLE 100%	YES
DILUTE ACID AND ALKALI RESISTANT:	YES
MATERIAL FREE OF VOC, BIOCIDES, HEAVY METALS	YES
WATER ABSORPTION IS SUFFICIENT FOR ADHESION WITH CONCRETE SURFACES	YES

THE COMPLETE DRAINAGE SYSTEM SHALL BE BY VODALAND CANADA INC. ANY DEVIATION OR PARTIAL SYSTEM DESIGN AND/OR IMPROPER INSTALLATION WILL VOID ANY AND ALL WARRANTIES PROVIDED BY VODALAND CANADA INC.

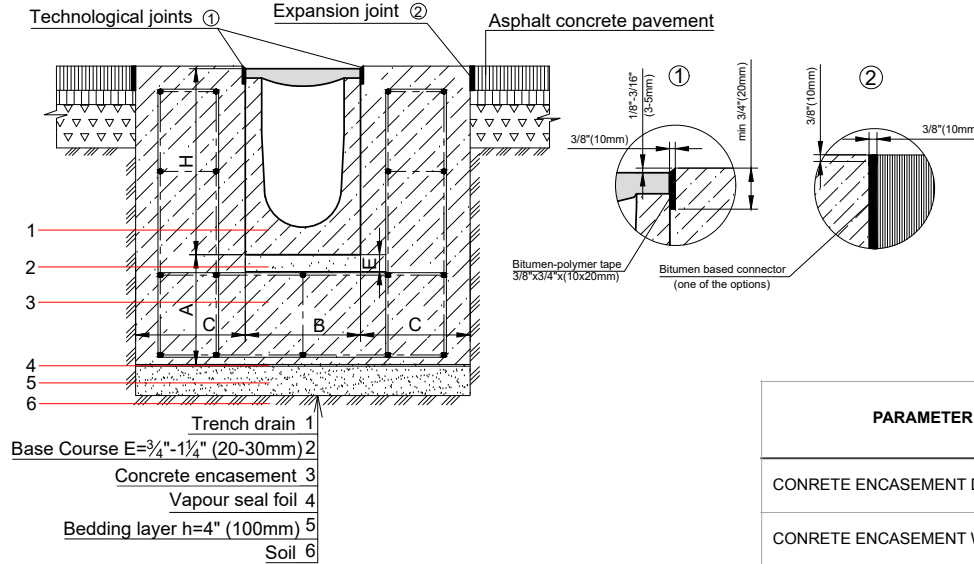
REVISED: 2023

Vodaland Canada Inc.

1-5900 Ambler Dr, Mississauga, ON L4W 2N3 • Phone: 905-238-1771 • Email: info@vodaland.ca

MEGA 300FC SYSTEM - LOAD CLASS F900
EXPOSED ASPHALT PAVEMENT INSTALLATION

12" (300mm) MEGA FIBER REINFORCED CONCRETE TRENCH DRAIN



NOTES:

- SPECIFIER IS RESPONSIBLE FOR CONCRETE ENCASEMENT AND REINFORCING BASED UPON APPLICATION AND LOCAL CODES.
- EXPANSION AND CONTRACTION CONTROL JOINTS AND REINFORCEMENT ARE RECOMMENDED TO PROTECT CHANNEL AND CONCRETE SURROUND. ENGINEERING ADVICE MAY BE REQUIRED.
- THIS INSTALLATION SCHEME IS A RECOMMENDATION. CONSULT WITH THE MANUFACTURER FOR INSTALLATION INSTRUCTIONS.
- THE FINISHED LEVEL OF CONCRETE SURROUND SHOULD BE 1/8" - 3/16" (3-5mm) ABOVE THE TOP OF THE CHANNEL EDGE.

GENERAL: THE TRENCH DRAIN SHALL BE VODALAND CANADA MEGA 300FC AS MANUFACTURED BY VODALAND OR APPROVED EQUAL.

SPECIFICATION: CHANNELS SHALL BE 39.4" (1000mm) LONG AND THE NOMINAL CLEAR OPENING SHALL BE 12" (300mm) WITH 15.2" (385mm) OVERALL WIDTH AND BUILT-IN SLOPE OF 0.5% OR 1% PER SPECIFIER'S REQUIREMENTS. CHANNELS SHALL HAVE MALE-TO-FEMALE INTERLOCKING JOINTS. GRATINGS SHALL BE DUCTILE CAST IRON FASTENED TO STEEL EDGE RAILS AND MEET THE SYSTEM LOAD CLASS SPECIFIED. CHANNELS AND GRATE SHALL WITHSTAND A REQUIRED EN1433 LOAD CLASS.

MATERIALS: MEGA 300FC TRENCH DRAIN SHALL BE MANUFACTURED FROM FIBER CONCRETE WITH THE FOLLOWING PROPERTIES:

COMPRESSIVE STRENGTH	> 45 MPA
FLEXURAL STRENGTH	> 20 MPA
FROST RESISTANT	YES
NON FLAMMABLE	YES
UV RESISTANT	YES
RECYCLABLE 100%	YES
DILUTE ACID AND ALKALI RESISTANT:	YES
MATERIAL FREE OF VOC, BIOCIDES, HEAVY METALS	YES
WATER ABSORPTION IS SUFFICIENT FOR ADHESION WITH CONCRETE SURFACES	YES

THE COMPLETE DRAINAGE SYSTEM SHALL BE BY VODALAND CANADA INC. ANY DEVIATION OR PARTIAL SYSTEM DESIGN AND/OR IMPROPER INSTALLATION WILL VOID ANY AND ALL WARRANTIES PROVIDED BY VODALAND CANADA INC.